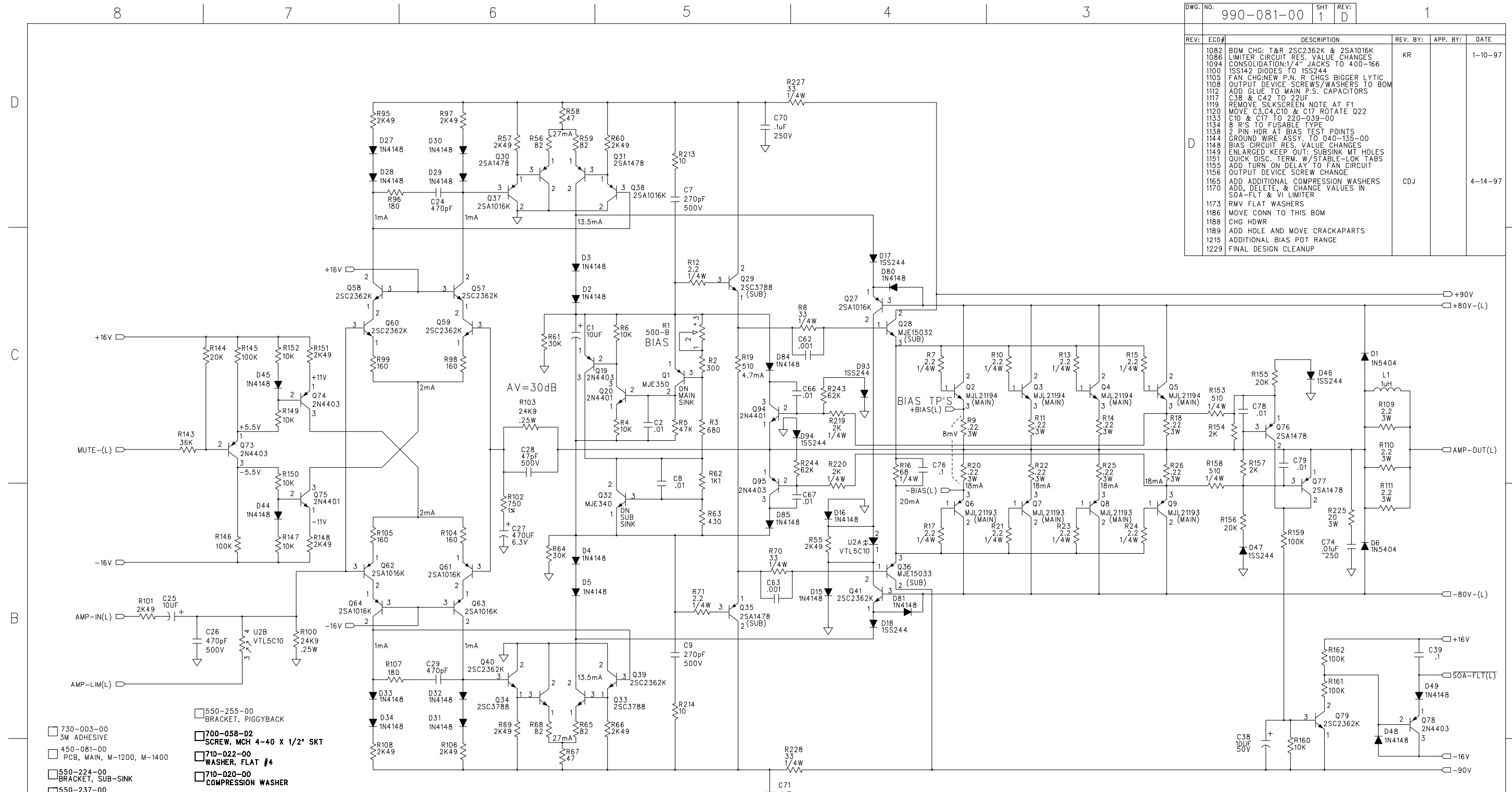


DWG. NO.	990-081-00	SHT	1	REV:	D	1
REV:	ECO#	DESCRIPTION	REV. BY:	APP. BY:	DATE	
1082		BOM CHG: T&R 2SC2362K & 2SA1016K			1-10-97	
1086		LIMITER CIRCUIT RES. VALUE CHANGES				
1094		CONSOLIDATION: 1/4" JACKS TO 400-166	KR			
1100		ISS142 DIODES TO ISS244				
1105		FAN CHG: NEW P.N. R CHGS BIGGER LYTIC				
1108		OUTPUT DEVICE SCREWS/WASHERS TO BOM				
1112		ADD GLUE TO MAIN P.S. CAPACITORS				
1117		C38 & C42 TO 22UF				
1119		REMOVE SILKSCREEN NOTE AT F1				
1120		MOVE C3, C4, C10 & C17 ROTATE Q22				
1133		C10 & C17 TO 220-039-00				
1134		8 R'S TO FUSABLE TYPE				
1138		2 PIN HDR AT BIAS TEST POINTS				
1144		GROUND WIRE ASSY. TO 040-135-00				
1148		BIAS CIRCUIT RES. VALUE CHANGES				
1149		ENLARGED KEEP OUT: SUBSINK MT HOLES				
1151		QUICK DISC. TERM. W/STABLE-LOK TABS				
1155		ADD TURN ON DELAY TO FAN CIRCUIT				
1156		OUTPUT DEVICE SCREW CHANGE				
1165		ADD ADDITIONAL COMPRESSION WASHERS	CDJ		4-14-97	
1170		ADD, DELETE, & CHANGE VALUES IN SOA-FLT & VI LIMITER				
1173		RMV FLAT WASHERS				
1186		MOVE CONN TO THIS BOM				
1188		CHG HDWR				
1189		ADD HOLE AND MOVE CRACKAPARTS				
1215		ADDITIONAL BIAS POT RANGE				
1229		FINAL DESIGN CLEANUP				



- 730-003-00 3M ADHESIVE
- 450-081-00 PCB, MAIN, M-1200, M-1400
- 550-224-00 BRACKET, SUB-SINK
- 550-237-00 SPRING CLIP, SUB-SINK
- 710-013-00 WASHER, FLAT, #6, FIBER
- 700-010-04 SCREW, PANPHP, TF, BLK ZC, 6-32 X 3/8
- 700-028-02 SCREW, PANPHP, BLK SEMS, 6-32 X 3/8
- 710-008-00 WASHER, SPLIT LOCK, #4
- 410-003-00 SILPAD, K6, W/ADHESIVE, 16.8"
- 551-032-00 HEATSINK, MAIN
- 700-022-00 SCREW PAN FIL STL ZC 6-32 X 5/8"
- 550-255-00 BRACKET, PIGGYBACK
- 700-058-02 SCREW, MCH 4-40 X 1/2" SKT
- 710-022-00 WASHER, FLAT #4
- 710-020-00 COMPRESSION WASHER
- 550-225-00 HEATSINK COWLING
- 550-219-00 FAN BRACKET
- 700-010-00 SCREW, PANPHP, TF, BLK ZC, 6-32 X 1/4
- 700-047-04 SCREW PAN FILSTL ZC 10-32 X 3/8"
- 400-060-00 FUSE CLIP PC MT 5mm DIA
- 400-129-00 FUSE CLIP PC MT .25" DIA
- 770-006-00 FAN, 24V MECHATRONICS **FOR M1200**
- 410-003-00 SILPAD, K6, W/ADHESIVE, 4.1"
- 410-002-00 SILPAD .007THK SELF ADHESIVE
- 730-001-00 QTY AS REQ'D

- ON M-1400 ONLY
- 220-035-00 12,000uF
 - SEE C11, C12, C15, C16
 - 100-076-00 13K RESISTOR **REPLACES R209 FOR M1400**
 - 770-007-00 FAN, 24V PANASONIC **FOR M1400**
 - 400-083-00 CONN 2P .100 X 1 22GA END

UNLESS OTHERWISE SPECIFIED DIMENSIONS ARE IN INCHES TOLERANCES ARE: FRACTIONS: DECIMALS: ANGLES: ±NA .XX ±.01 ±NA .XXX ±.005

MATERIAL: SEE NOTES

FINISH: SEE NOTES

DO NOT SCALE DRAWING

APPROVALS		DATE
DRAWN:	Cam Jones	10-31-96
CHECKED:		
NP ENG:	CJ	11-12-96
MATERIAL:	MS	11-12-96
MFG:	RR	11-12-96
MFG ENG:	ES	11-12-96
ISSUED:	LV	11-12-96

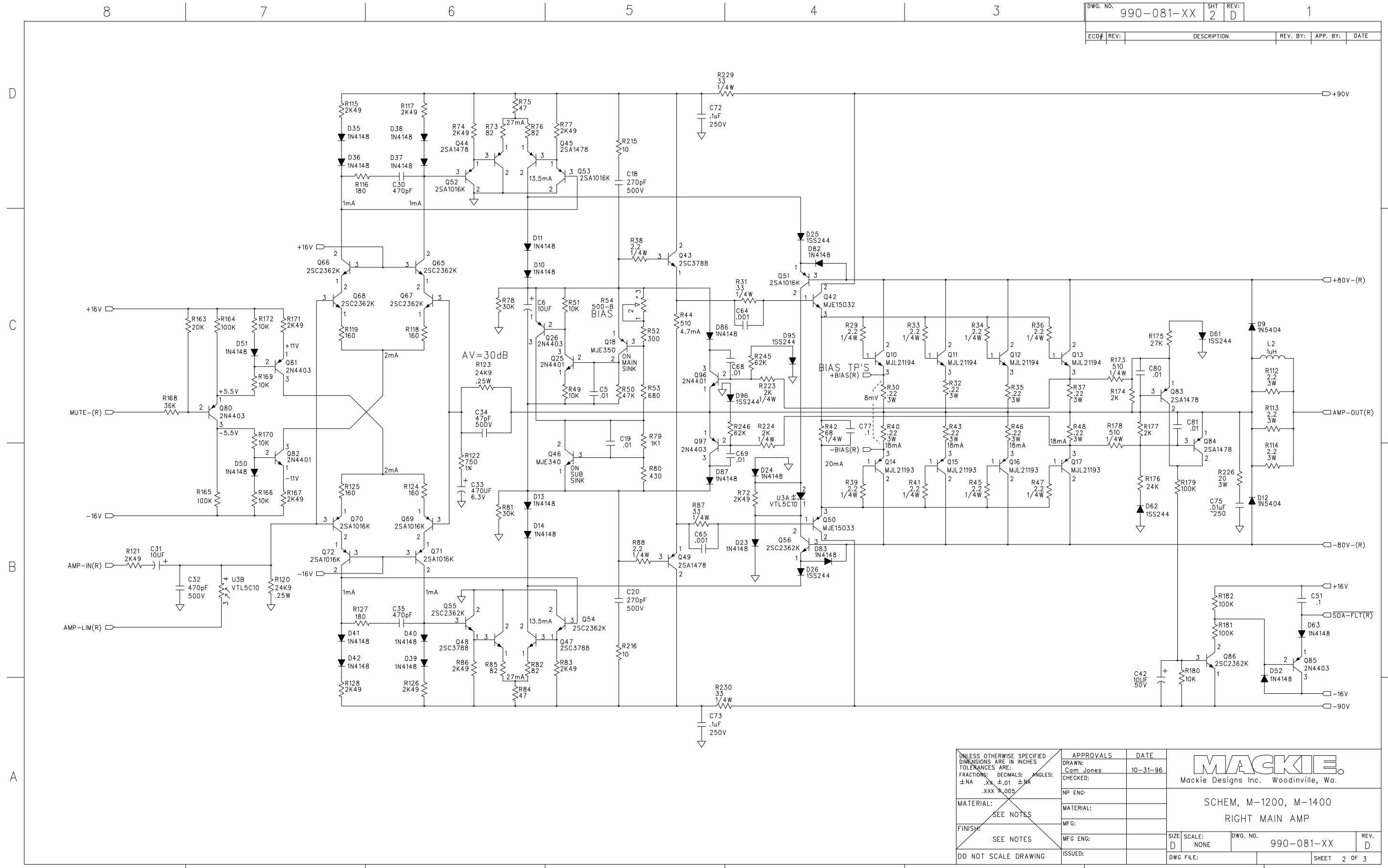
MACKIE
Mackie Designs Inc. Woodinville, Wa.


SCHEM, M-1200, M-1400
LEFT MAIN AMP

SIZE: D SCALE: NONE DWG. NO. 990-081-00 REV. D

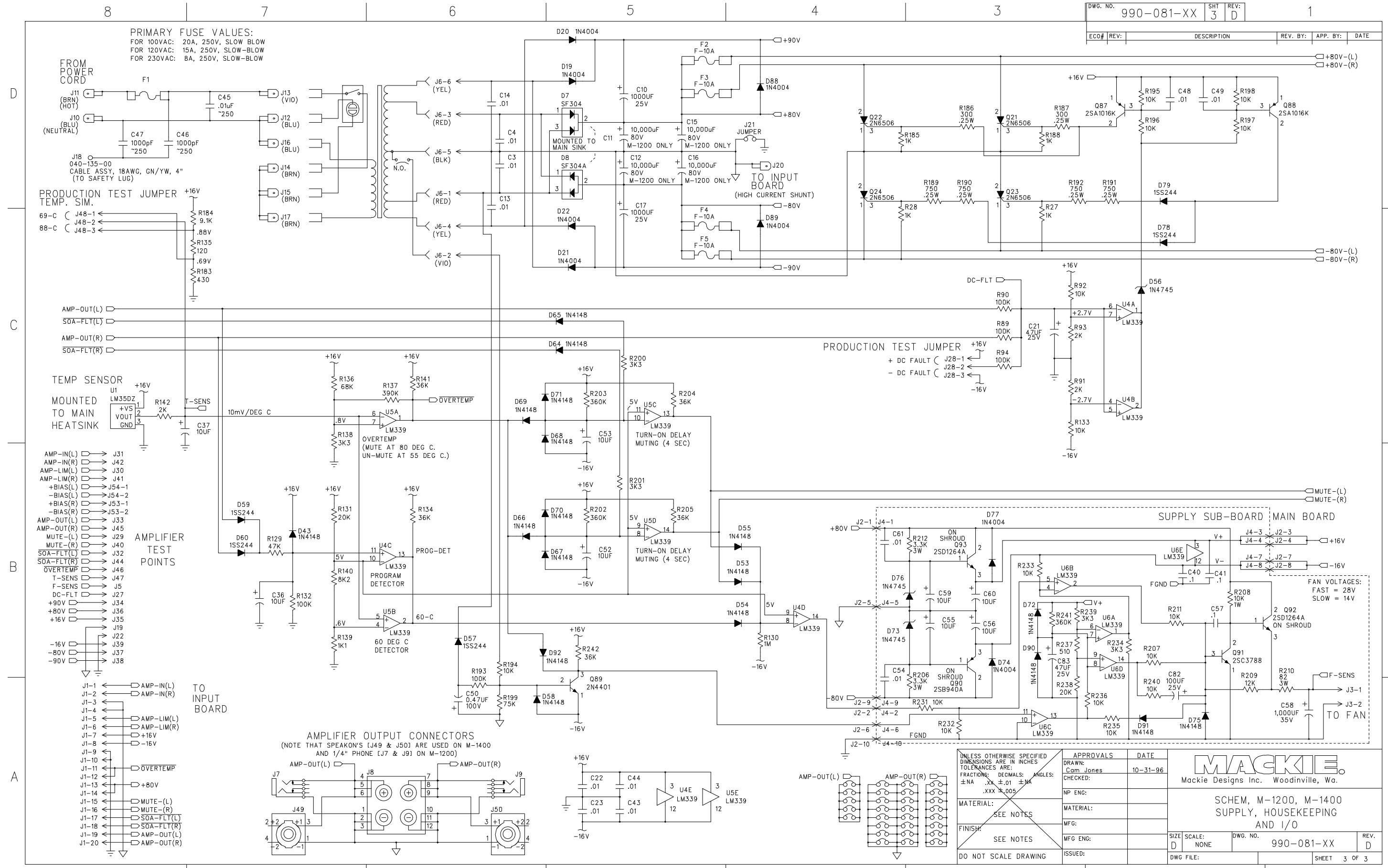
DWG FILE: SHEET 1 OF 3

DWG. NO.	990-081-XX	SHT	2	REV:	D	1
ECO#	REV:	DESCRIPTION	REV. BY:	APP. BY:	DATE	



UNLESS OTHERWISE SPECIFIED DIMENSIONS ARE IN INCHES TOLERANCES ARE: FRACTIONS: DECIMALS: ANGLES: ±NA .XX ±.01 ±NA .xxx ±.005	APPROVALS	DATE	 Mackie Designs Inc. Woodinville, Wa. SCHEM, M-1200, M-1400 RIGHT MAIN AMP
	DRAWN: Cam Jones	10-31-96	
	CHECKED:		
	NP ENG:		
MATERIAL: SEE NOTES	MATERIAL:		SIZE SCALE: DWG. NO. REV. D NONE 990-081-XX D DWG FILE: SHEET 2 OF 3
FINISH: SEE NOTES	MFG:		
MFG ENG:			
DO NOT SCALE DRAWING	ISSUED:		

DWG. NO.	990-081-XX	SHT	3	REV:	D
ECO#	REV:	DESCRIPTION	REV. BY:	APP. BY:	DATE



PRIMARY FUSE VALUES:
 FOR 100VAC: 20A, 250V, SLOW BLOW
 FOR 120VAC: 15A, 250V, SLOW-BLOW
 FOR 230VAC: 8A, 250V, SLOW-BLOW

PRODUCTION TEST JUMPER
 TEMP. SIM.
 69-C (J48-1
 J48-2
 88-C (J48-3

TEMP SENSOR
 U1
 LM35DZ
 +VS
 VOUT
 GND

AMPLIFIER TEST POINTS
 AMP-IN(L) J31
 AMP-IN(R) J42
 AMP-LIM(L) J30
 AMP-LIM(R) J41
 +BIAS(L) J54-1
 -BIAS(L) J54-2
 +BIAS(R) J53-1
 -BIAS(R) J53-2
 AMP-OUT(L) J33
 AMP-OUT(R) J45
 MUTE-(L) J29
 MUTE-(R) J40
 SOA-FLT(L) J32
 SOA-FLT(R) J44
 OVERTEMP J46
 T-SENS J47
 F-SENS J5
 DC-FLT J27
 +90V J34
 +80V J36
 +16V J35
 J19
 -16V J22
 -80V J39
 -90V J37
 J38

TO INPUT BOARD
 J1-1 AMP-IN(L)
 J1-2 AMP-IN(R)
 J1-3
 J1-4
 J1-5 AMP-LIM(L)
 J1-6 AMP-LIM(R)
 J1-7 +16V
 J1-8 -16V
 J1-9
 J1-10
 J1-11 OVERTEMP
 J1-12
 J1-13 +80V
 J1-14
 J1-15 MUTE-(L)
 J1-16 MUTE-(R)
 J1-17 SOA-FLT(L)
 J1-18 SOA-FLT(R)
 J1-19 AMP-OUT(L)
 J1-20 AMP-OUT(R)

AMPLIFIER OUTPUT CONNECTORS
 (NOTE THAT SPEAKON'S [J49 & J50] ARE USED ON M-1400
 AND 1/4" PHONE [J7 & J9] ON M-1200)

UNLESS OTHERWISE SPECIFIED
 DIMENSIONS ARE IN INCHES
 TOLERANCES ARE:
 FRACTIONS: DECIMALS: ANGLES:
 ±NA .XX ±.01 ±MA
 .XXX ±.005

MATERIAL:
 SEE NOTES

FINISH:
 SEE NOTES

DO NOT SCALE DRAWING

APPROVALS	DATE
DRAWN: Cam Jones	10-31-96
CHECKED:	
NP ENG:	
MATERIAL:	
MFG:	
MFG ENG:	
ISSUED:	

MACKIE
 Mackie Designs Inc. Woodinville, Wa.

SCHEM, M-1200, M-1400
 SUPPLY, HOUSEKEEPING
 AND I/O

SIZE: D SCALE: NONE DWG. NO. 990-081-XX REV. D
 DWG FILE: SHEET 3 OF 3

