

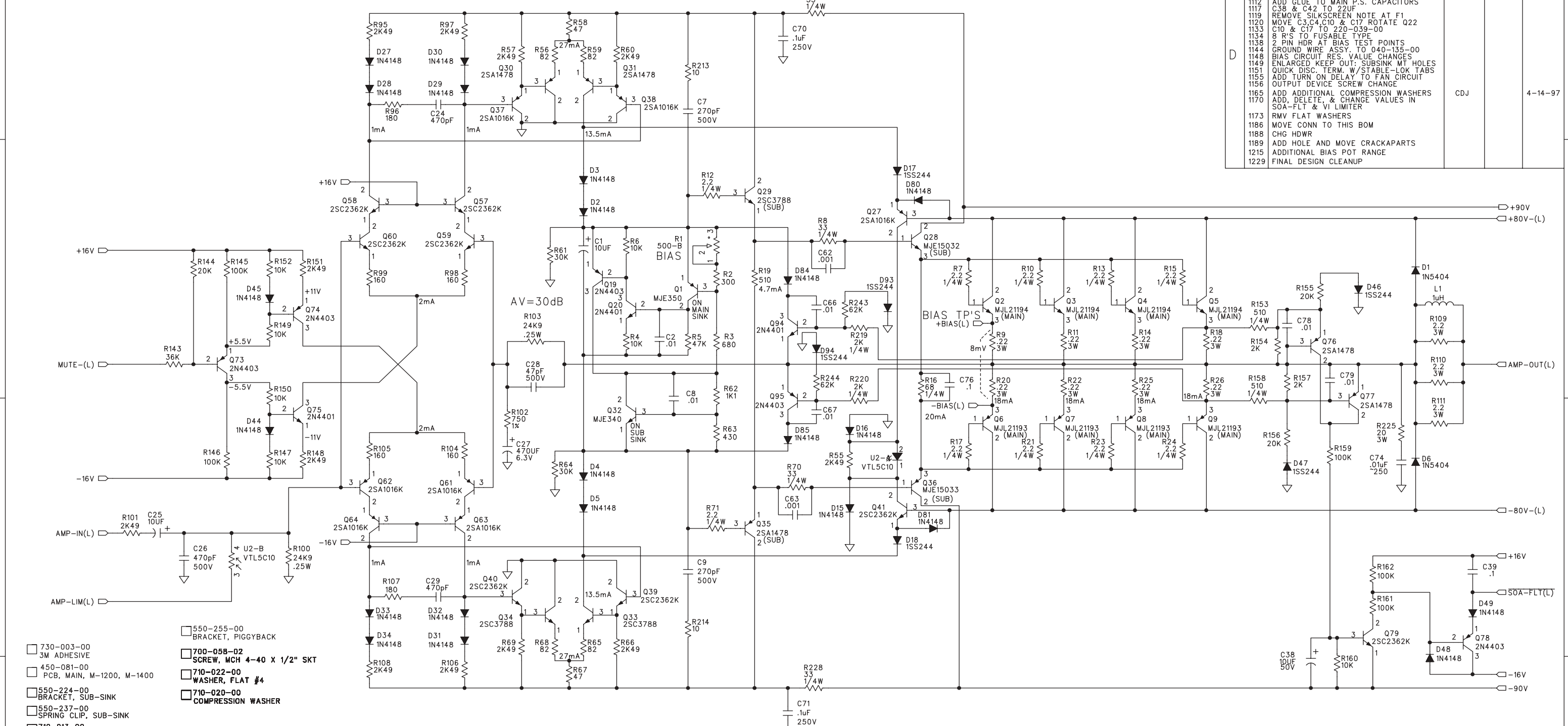
DWG. NO.	990-081-00	SHT	1	REV:	D	1
REV:	ECO#	DESCRIPTION	REV. BY:	APP. BY:	DATE	
1082		BOM CHG: T&R 2SC2362K & 2SA1016K	KR		1-10-97	
1086		LIMITER CIRCUIT RES. VALUE CHANGES				
1094		CONSOLIDATION: 1/4" JACKS TO 400-166				
1100		1SS142 DIODES TO 1SS244				
1105		FAN CHG-NEW P.N. R CHGS BIGGER LYTC				
1108		OUTPUT DEVICE SCREWS/WASHERS TO BOM				
1112		ADD GLUE TO MAIN P.S. CAPACITORS				
1117		C38 & C42 TO 22UF				
1119		REMOVE SILKSCREEN NOTE AT F1				
1120		MOVE C3,C4,C10 & C17 ROTATE Q22				
1133		C10 & C17 TO 220-039-00				
1134		8 R'S TO FUSABLE TYPE				
1138		2 PIN HDR AT BIAS TEST POINTS				
1144		GROUND WIRE ASSY. TO 040-135-00				
1148		BIAS CIRCUIT RES. VALUE CHANGES				
1149		ENLARGED KEEP OUT: SUBSINK MT HOLES				
1151		QUICK DISC. TERM. W/ STABLE-LOK TABS				
1155		ADD TURN ON DELAY TO FAN CIRCUIT	CDJ		4-14-97	
1156		OUTPUT DEVICE SCREW CHANGE				
1165		ADD ADDITIONAL COMPRESSION WASHERS				
1170		DELETE & CHANGE VALUES IN SOA-FLT & VI LIMITER				
1173		RMV FLAT WASHERS				
1186		MOVE CONN TO THIS BOM				
1188		CHG HDWR				
1189		ADD HOLE AND MOVE CRACKAPARTS				
1215		ADDITIONAL BIAS POT RANGE				
1229		FINAL DESIGN CLEANUP				

D

C

B

A



- 730-003-00 3M ADHESIVE
- 450-081-00 PCB, MAIN, M-1200, M-1400
- 550-224-00 BRACKET, SUB-SINK
- 550-237-00 SPRING CLIP, SUB-SINK
- 710-013-00 WASHER, FLAT, #6, FIBER
- 700-010-04 SCREW, PANPHP, TF, BLK ZC.6-32 X 3/8
- 700-028-02 SCREW, PANPHP, BLK SEMS.6-32 X 3/8
- 710-008-00 WASHER, SPLIT LOCK, #4
- 410-003-00 SILPAD, K6, W/ADHESIVE, 16.8"
- 551-032-00 HEATSINK, MAIN
- 700-022-00 SCREW PAN FIL STL ZC 6-32 X 5/8"
- 550-255-00 BRACKET, PIGGYBACK
- 700-058-02 SCREW, MCH 4-40 X 1/2" SKT
- 710-022-00 WASHER, FLAT #4
- 710-020-00 COMPRESSION WASHER
- 550-225-00 HEATSINK COWLING
- 550-219-00 FAN BRACKET
- 700-010-00 SCREW, PANPHP, TF, BLK ZC.6-32 X 1/4
- 700-047-04 SCREW PAN FILSTL ZC 10-32 X 3/8"
- 400-060-00 FUSE CLIP PC MT 5mm DIA
- 400-129-00 FUSE CLIP PC MT .25" DIA
- 770-006-00 FAN, 24V MECHATRONICS **FOR M1200**
- 410-003-00 SILPAD, K6, W/ADHESIVE, 4.1"
- 410-002-00 SILPAD .007THK SELF ADHESIVE
- 730-001-00 QTY AS REQ'D

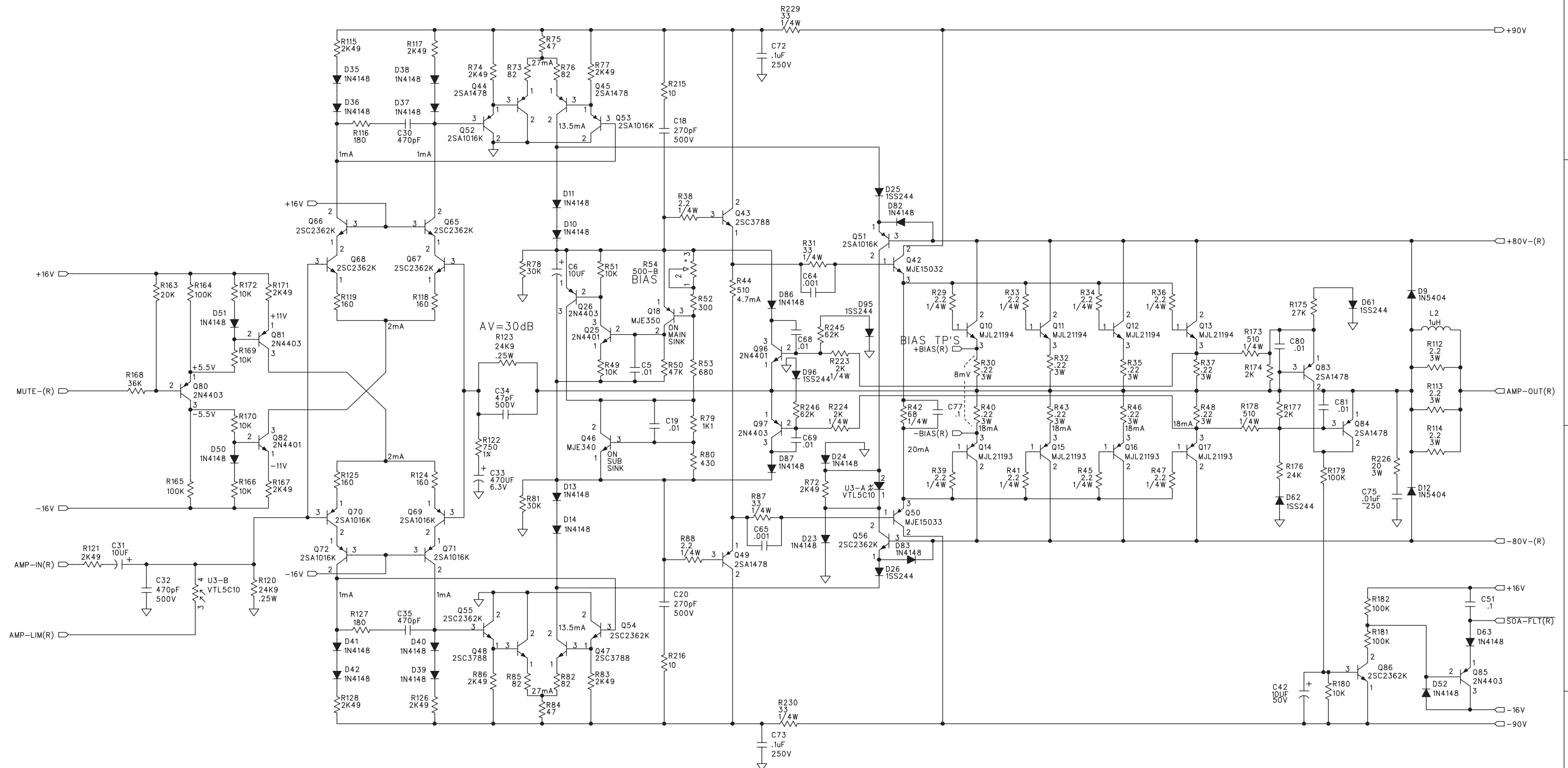
ON M-1400 ONLY
 220-035-00 12,000uF
 SEE C11, C12, C15, C16
 100-076-00 13K RESISTOR **REPLACES R209 FOR M1400**
 770-007-00 FAN, 24V PANASONIC **FOR M1400**
 400-083-00 CONN 2P .100 X 1 22GA END

UNLESS OTHERWISE SPECIFIED DIMENSIONS ARE IN INCHES TOLERANCES ARE: FRACTIONS: DECIMALS: ANGLES: ±NA .XX ±.01 ±NA .XXX ±.005	APPROVALS	DATE
	Cam Jones	10-31-96
	CHECKED:	
	NP ENG: CJ	11-12-96
MATERIAL:	MS	11-12-96
FINISH:	RR	11-12-96
SEE NOTES	MFG ENG: ES	11-12-96
DO NOT SCALE DRAWING	ISSUED: LV	11-12-96

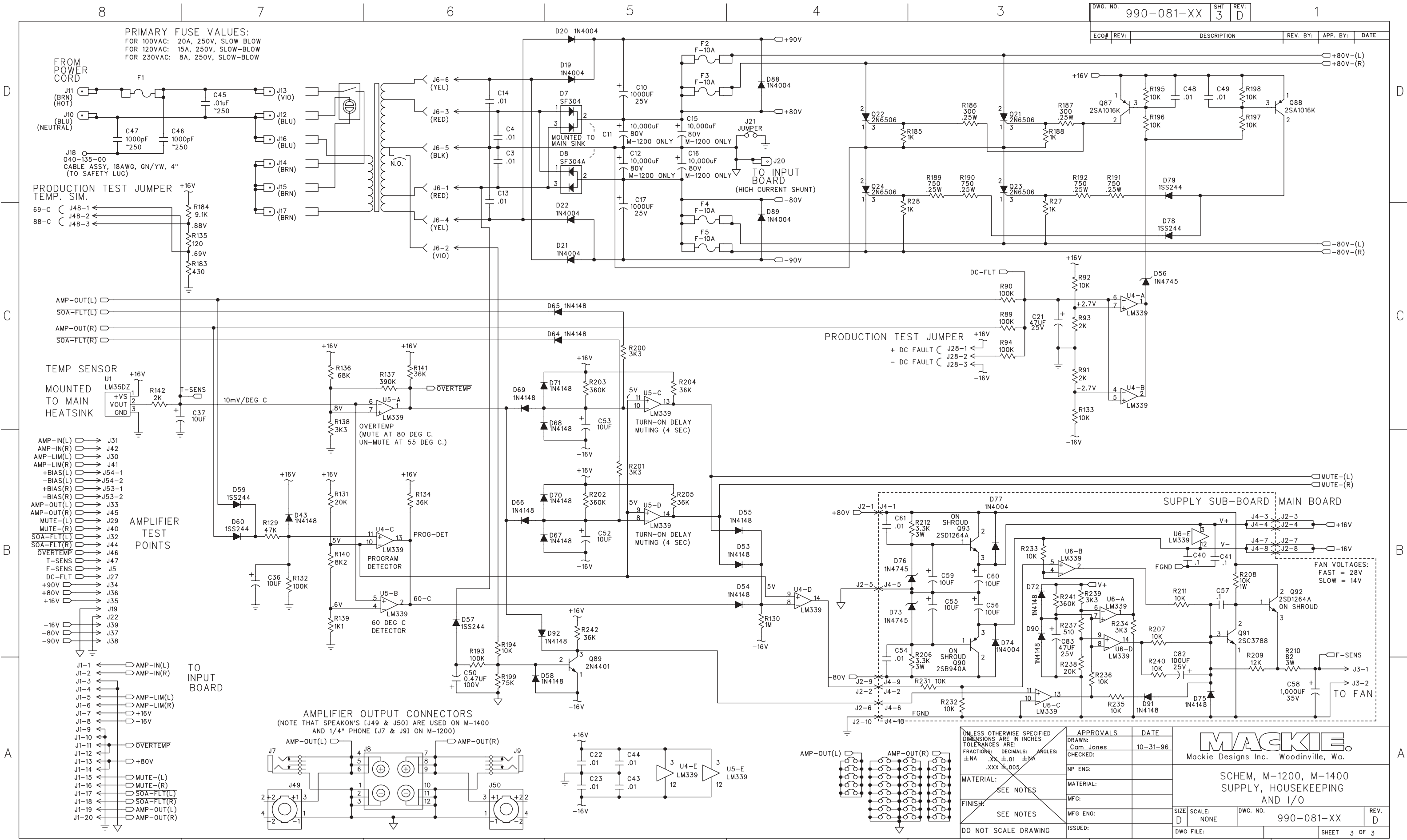
MACKIE
 Mackie Designs Inc. Woodinville, Wa.

SCHEM, M-1200, M-1400
 LEFT MAIN AMP

SIZE: D	SCALE: NONE	DWG. NO. 990-081-00	REV. D
DWG FILE:		SHEET 1 OF 3	



UNLESS OTHERWISE SPECIFIED DIMENSIONS ARE IN INCHES TOLERANCES ARE: FRACTIONS: DECIMALS: ANGLES: ±NA .XX ±.01 ±MA .XXX ±.005	APPROVALS	DATE	Mackie Designs Inc. Woodinville, Wa.
	DRAWN: Cam Jones	10-31-96	
	NP ENG:		
	MATERIAL: SEE NOTES		
FINISH: SEE NOTES	MATERIAL:		SCHEM, M-1200, M-1400 RIGHT MAIN AMP
DO NOT SCALE DRAWING	MFG:		
	MFG ENG:		SIZE: D SCALE: NONE DWG. NO. 990-081-XX REV. D
	ISSUED:		DWG FILE: SHEET 2 OF 3



- FROM POWER CORD
- PRODUCTION TEST JUMPER TEMP. SIM.
- TEMP SENSOR MOUNTED TO MAIN HEATSINK
- AMPLIFIER TEST POINTS
- TO INPUT BOARD
- AMPLIFIER OUTPUT CONNECTORS
- AMP-OUT(L) J1-1
AMP-OUT(R) J1-2
AMP-LIM(L) J1-3
AMP-LIM(R) J1-4
+BIAS(L) J1-5
+BIAS(R) J1-6
-BIAS(L) J1-7
-BIAS(R) J1-8
AMP-OUT(L) J1-9
AMP-OUT(R) J1-10
MUTE-(L) J1-11
MUTE-(R) J1-12
SOA-FLT(L) J1-13
SOA-FLT(R) J1-14
AMP-OUT(L) J1-15
AMP-OUT(R) J1-16
+80V J1-17
-80V J1-18
-90V J1-19
+16V J1-20
- AMP-IN(L) J2-1
AMP-IN(R) J2-2
AMP-LIM(L) J2-3
AMP-LIM(R) J2-4
+BIAS(L) J2-5
+BIAS(R) J2-6
-BIAS(L) J2-7
-BIAS(R) J2-8
AMP-OUT(L) J2-9
AMP-OUT(R) J2-10
MUTE-(L) J2-11
MUTE-(R) J2-12
SOA-FLT(L) J2-13
SOA-FLT(R) J2-14
AMP-OUT(L) J2-15
AMP-OUT(R) J2-16
+80V J2-17
-80V J2-18
-90V J2-19
+16V J2-20

UNLESS OTHERWISE SPECIFIED DIMENSIONS ARE IN INCHES TOLERANCES ARE: FRACTIONS: DECIMALS: ANGLES: ±.NA .XX ±.01 ±NA .XXX ±.005		APPROVALS	DATE
MATERIAL: SEE NOTES		DRAWN: Cam Jones	10-31-96
FINISH: SEE NOTES		CHECKED:	
DO NOT SCALE DRAWING		NP ENG:	
		MATERIAL:	
		MFG:	
		MFG ENG:	
		ISSUED:	
		SIZE: D	SCALE: NONE
		DWG. NO. 990-081-XX	REV. D
		DWG. FILE:	SHEET 3 OF 3

