

6

5

4

3

2

1

D

D

C
1/4" TRS

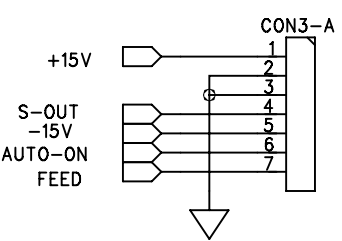
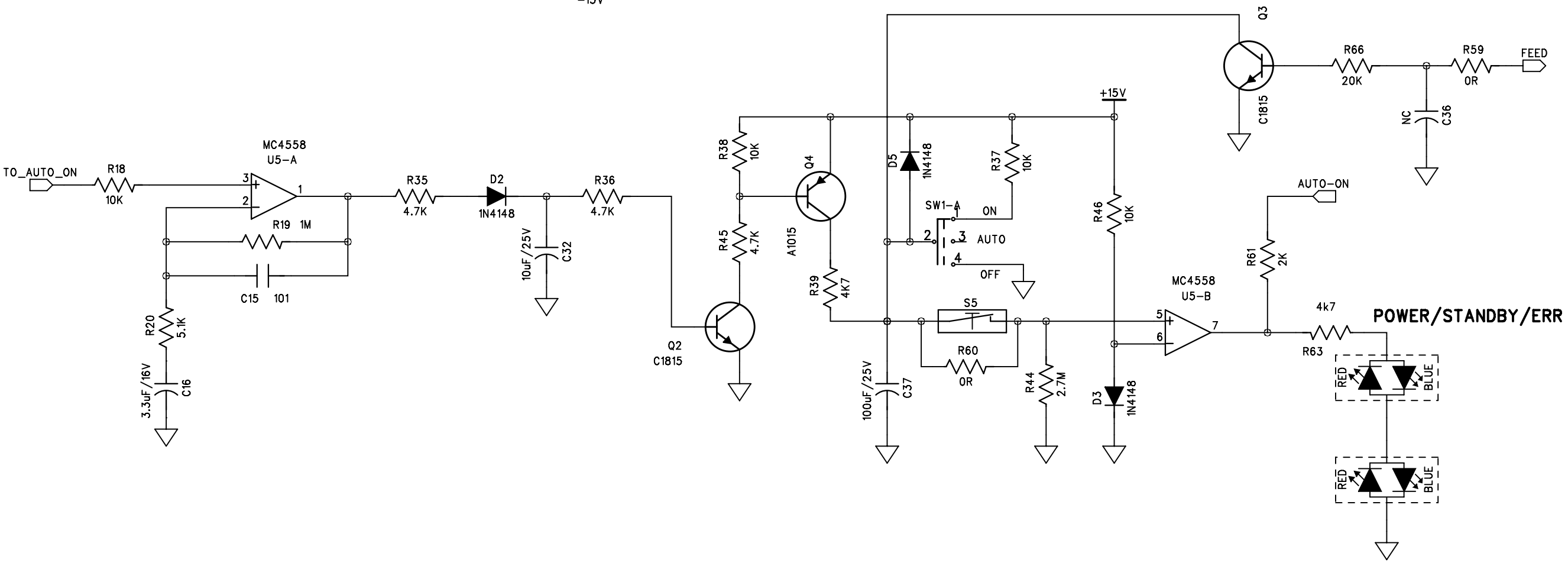
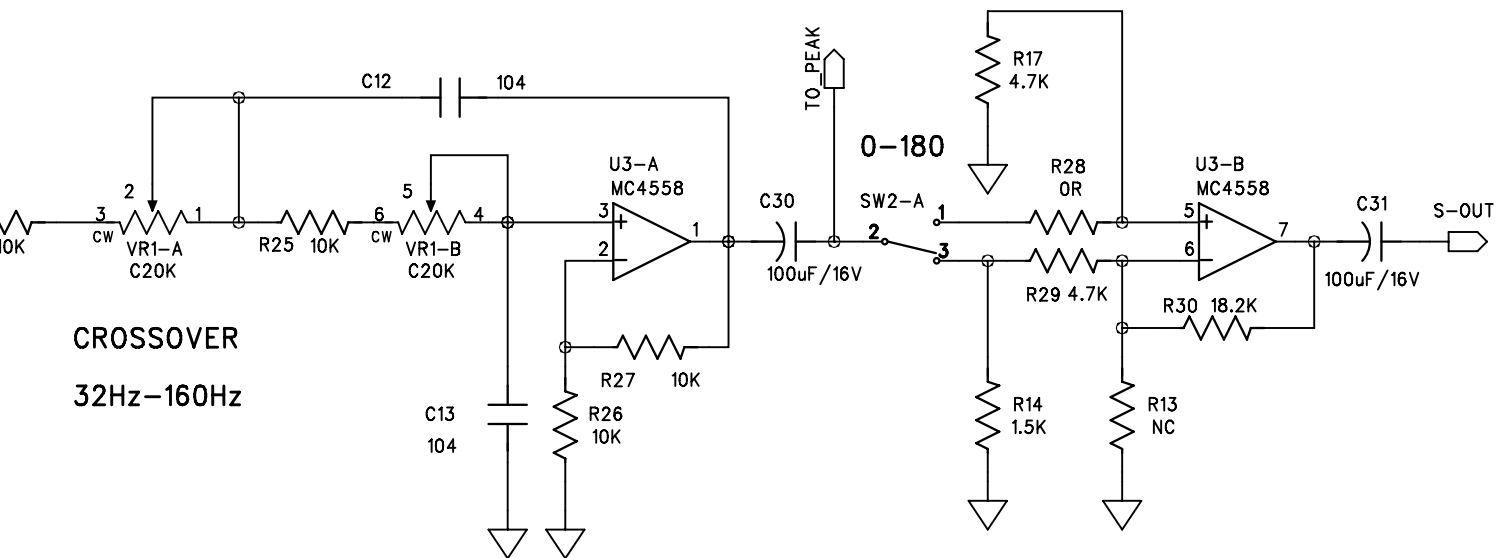
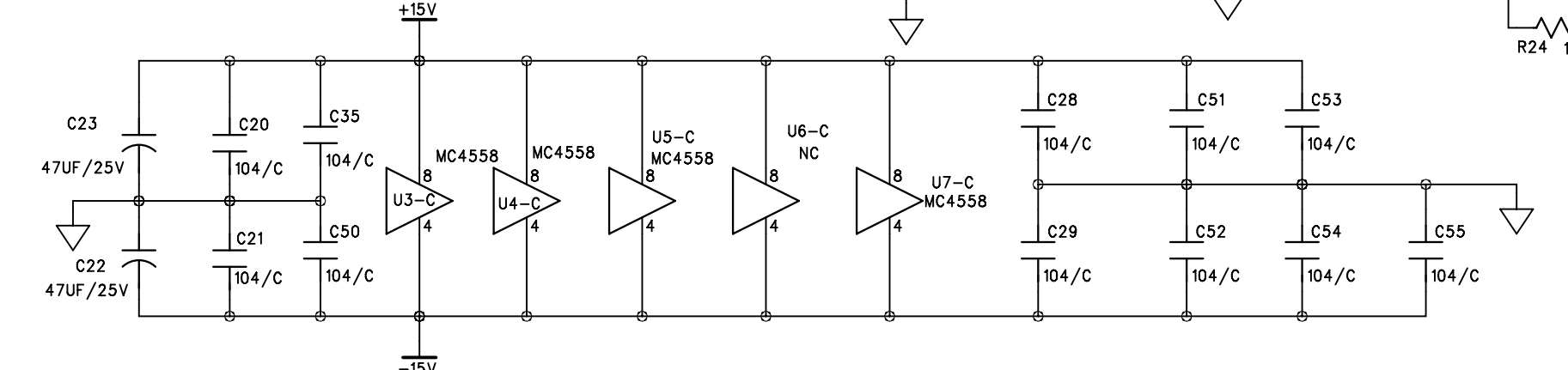
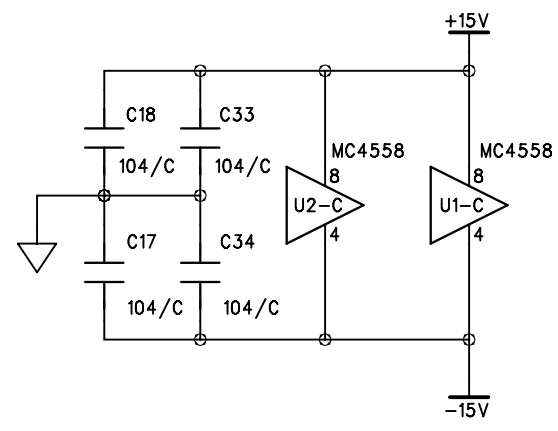
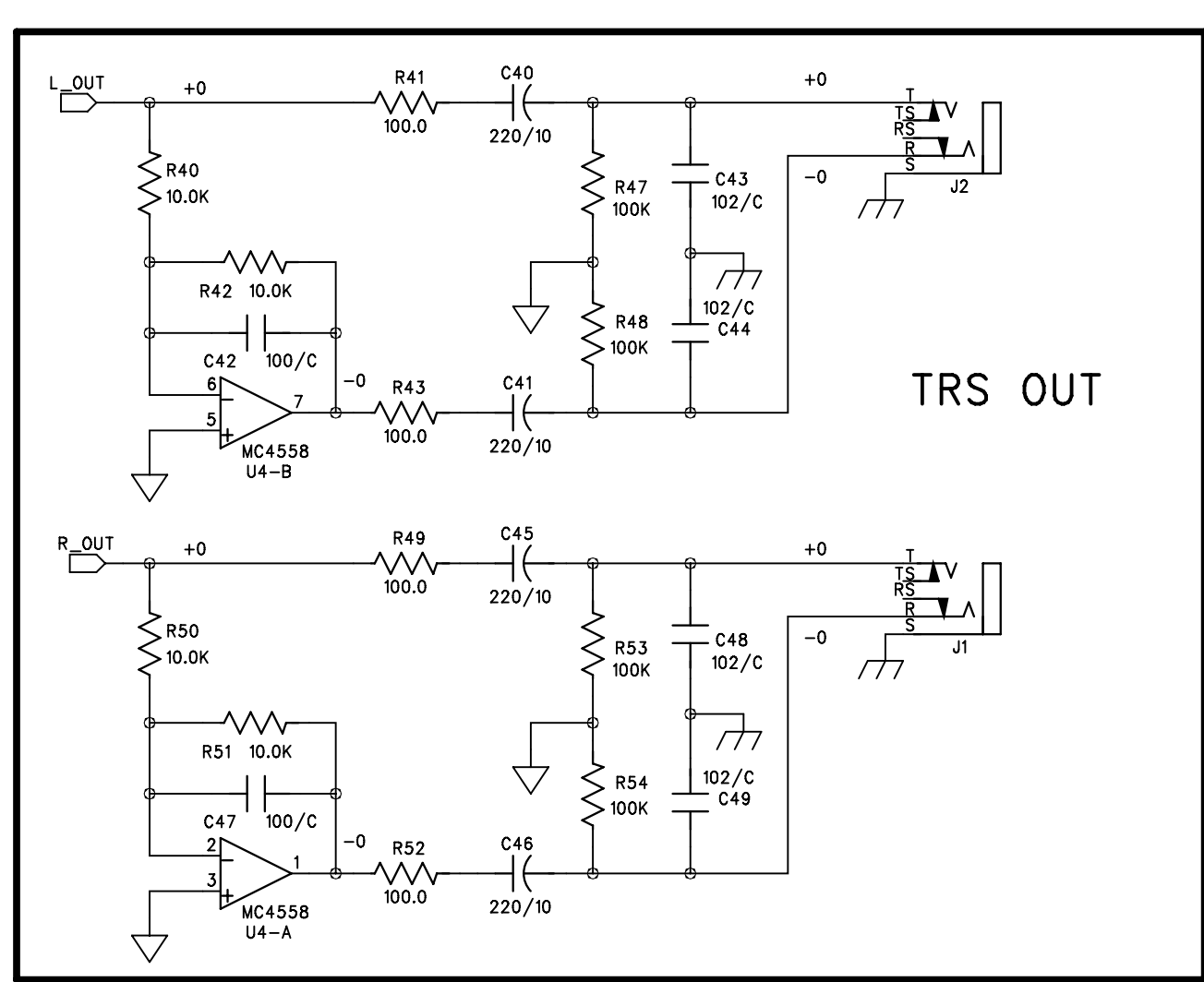
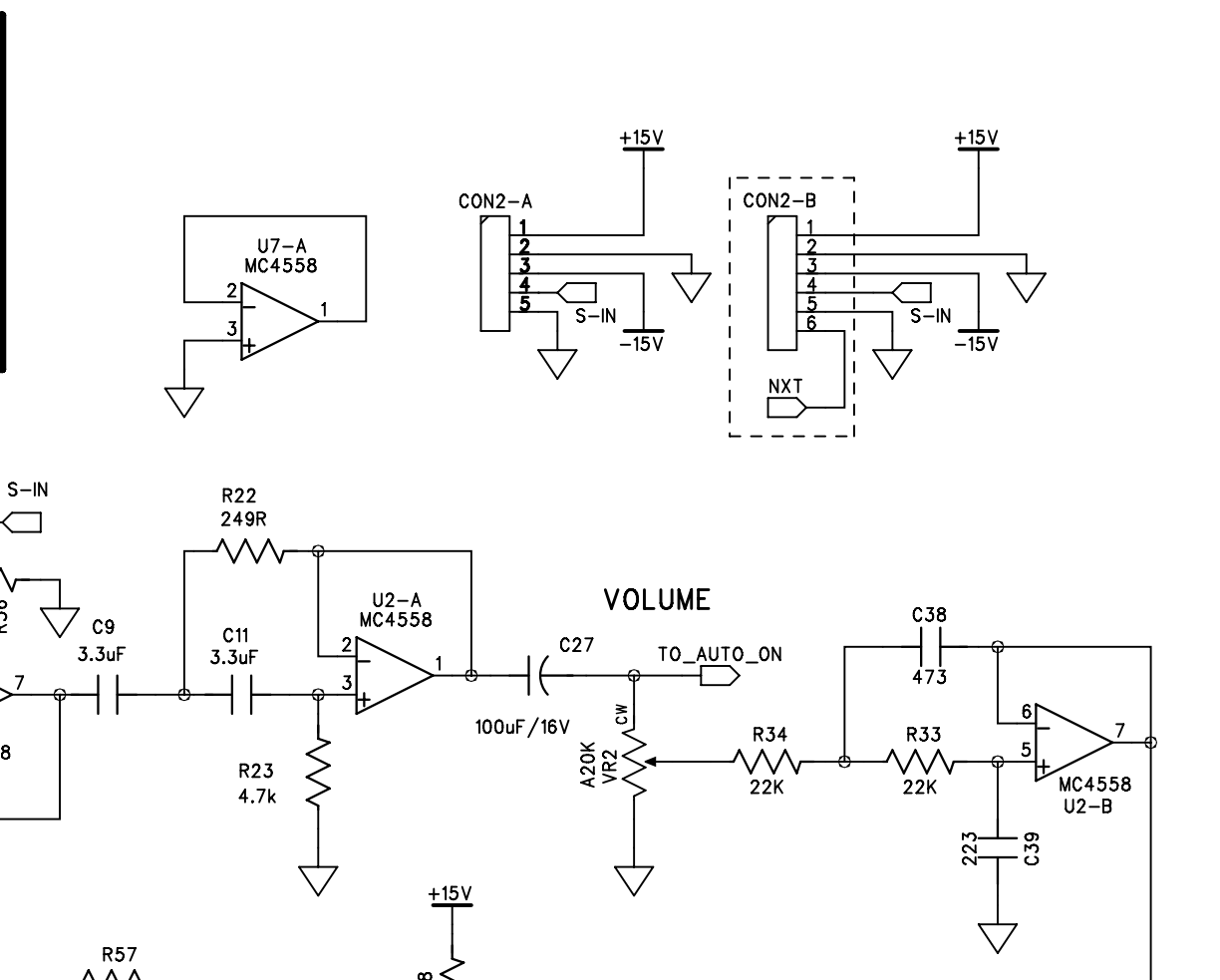
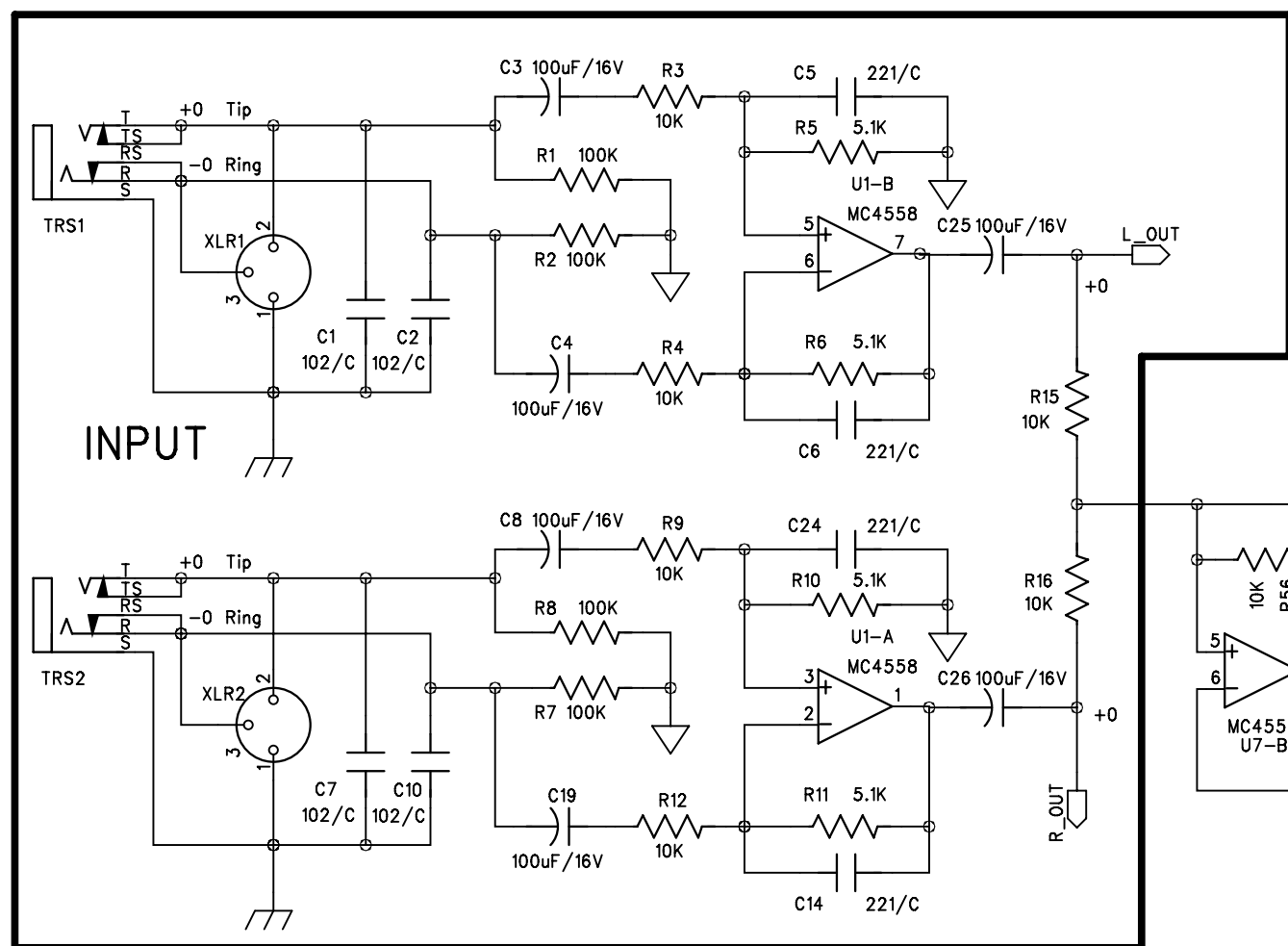
C

B

B

A

A



DWG NO:					
COMPANY:					
TITLE: MR10mk3 pre					
DRAWN: XBH	DATED: 06-6-13	CHECKED:	DATED:	APPROVED:	DATED:
SIZE:A2		REV:2.0		SHEET: 1 OF 2	

6

5

4

3

2

1

D

D

C

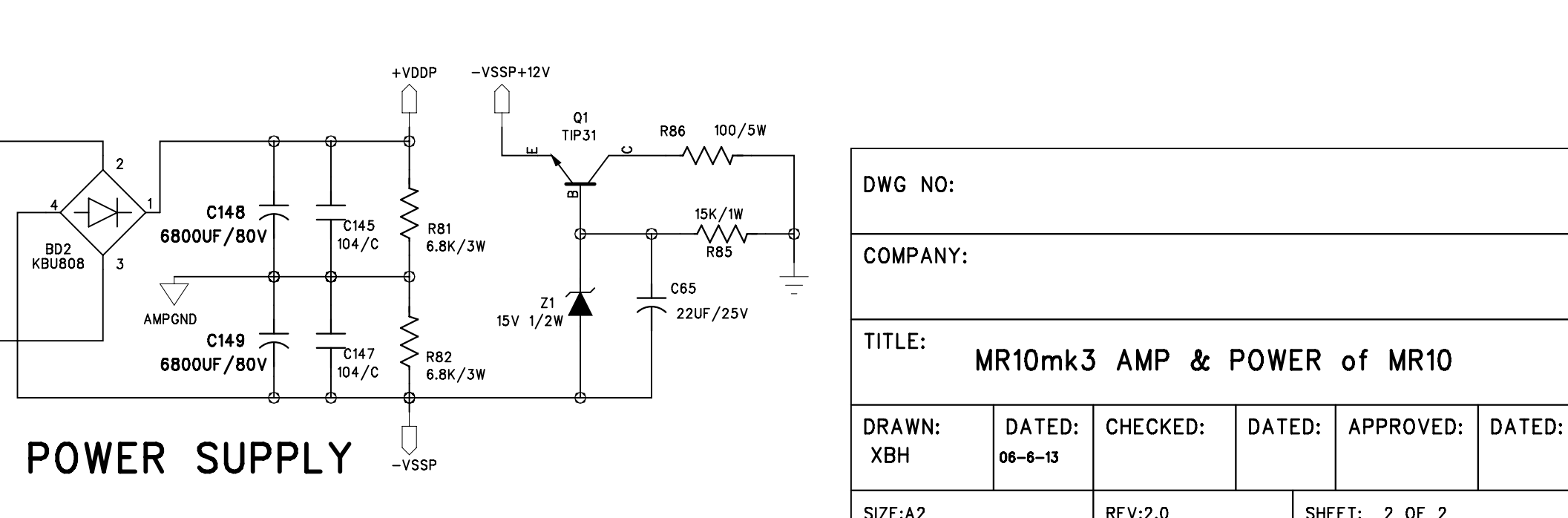
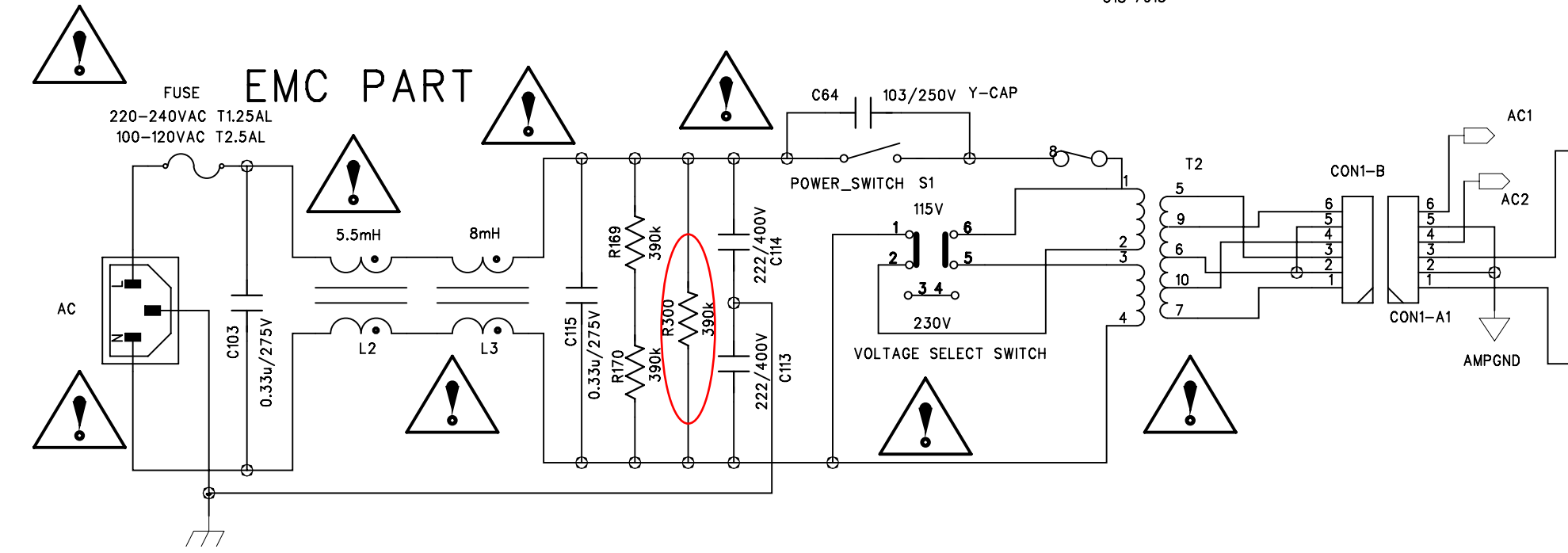
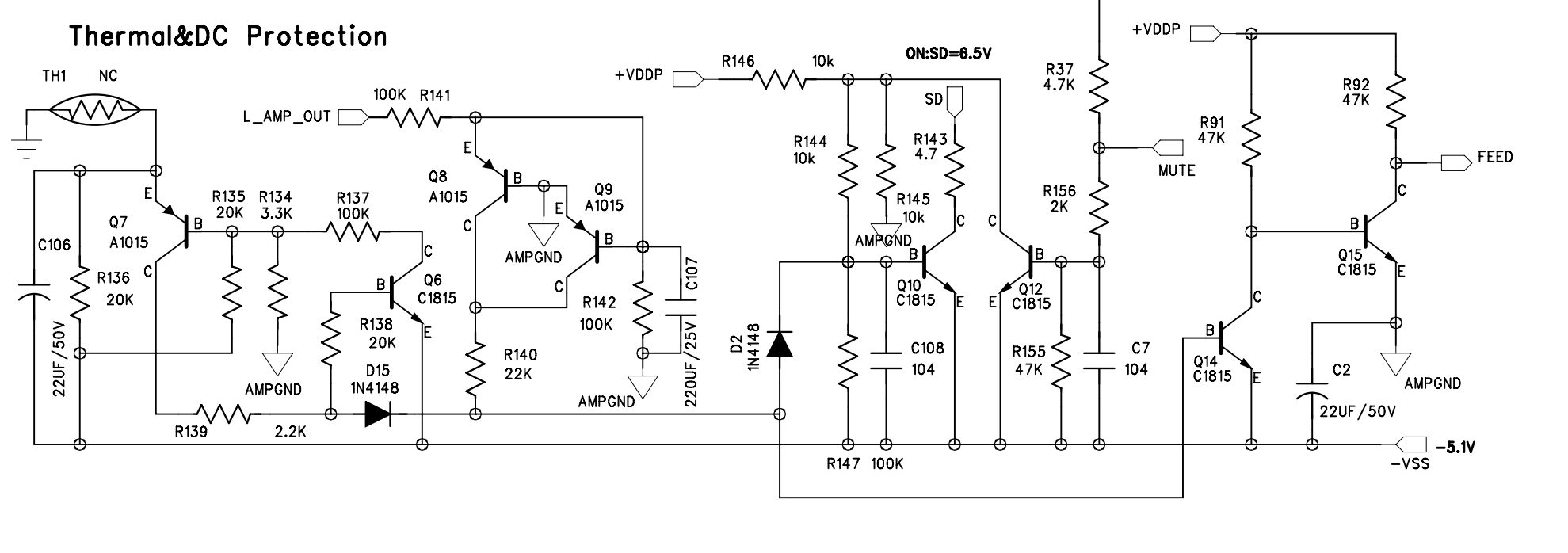
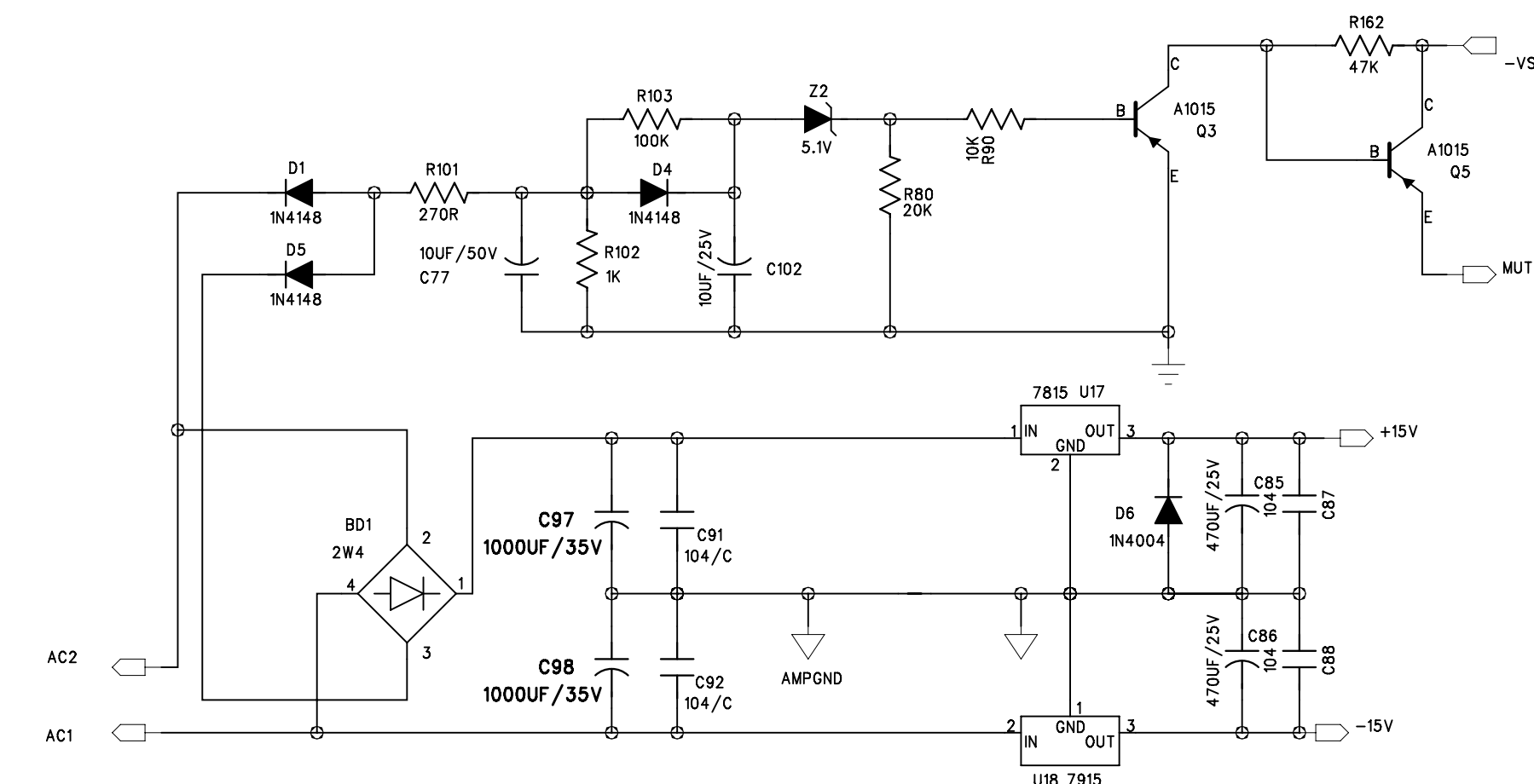
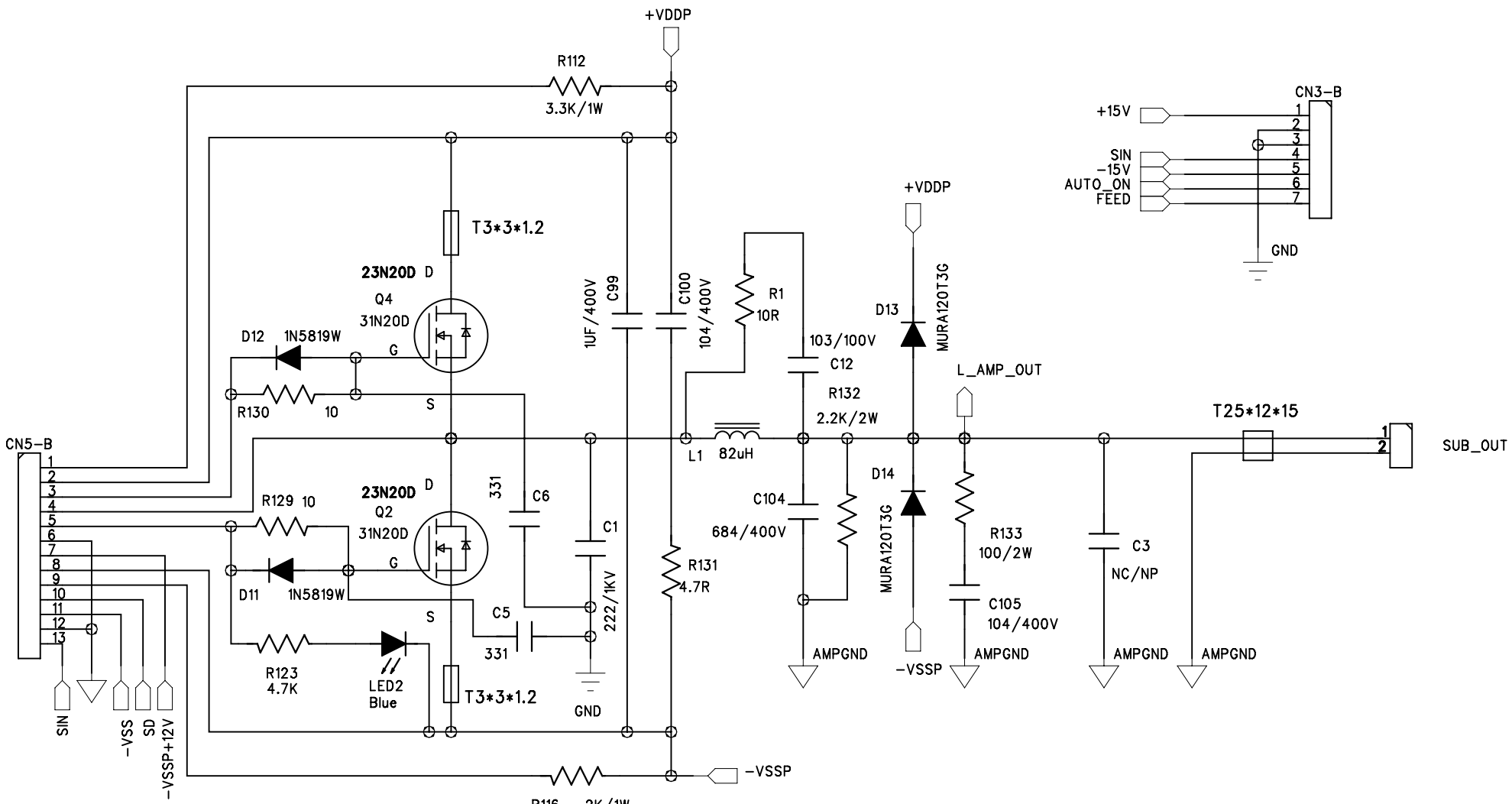
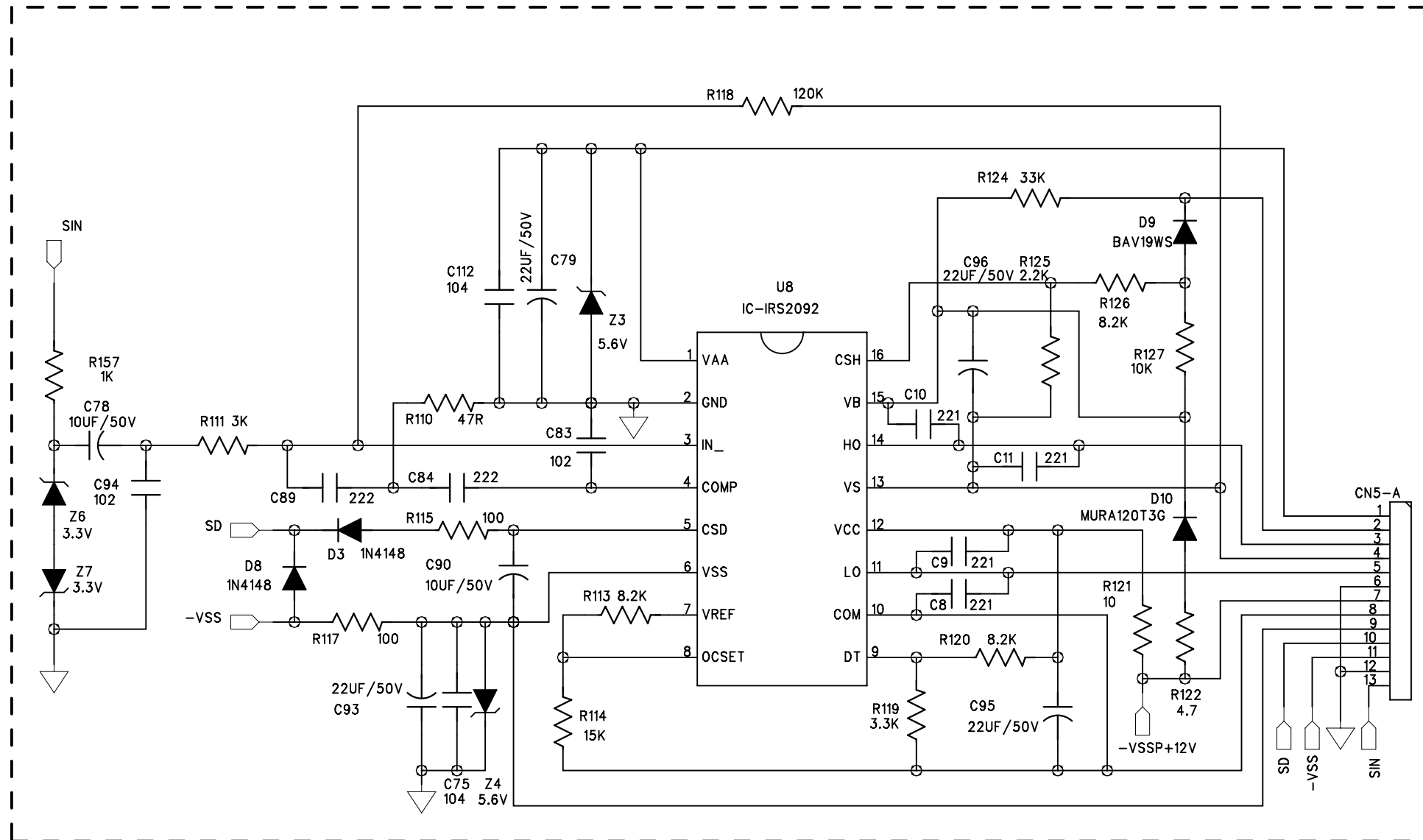
C

B

B

A

A



DWG NO:					
COMPANY:					
TITLE: MR10mk3 AMP & POWER of MR10					
DRAWN: XBH	DATED: 06-8-13	CHECKED:	DATED:	APPROVED:	DATED:
SIZE:A2		REV:2.0		SHEET: 2 OF 2	