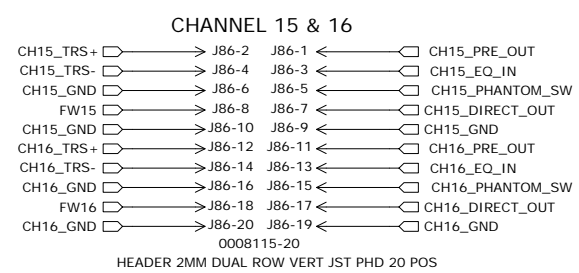
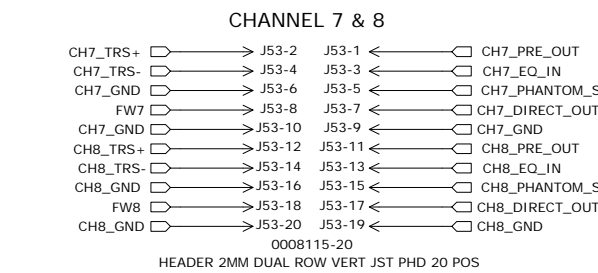
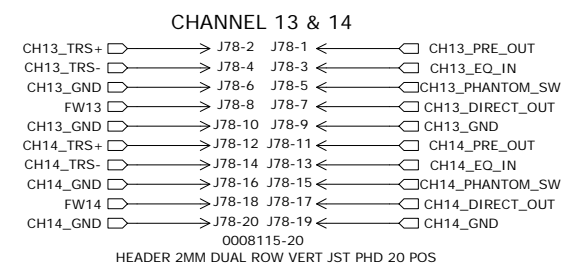
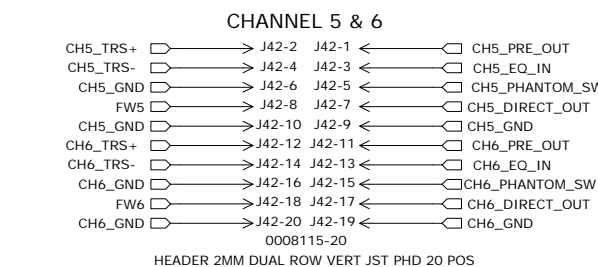
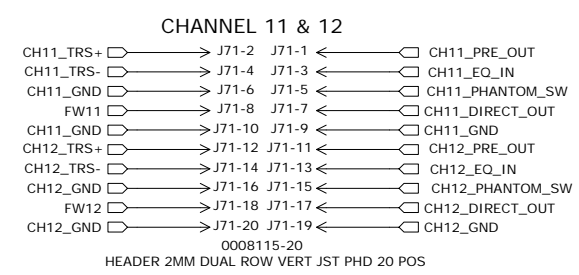
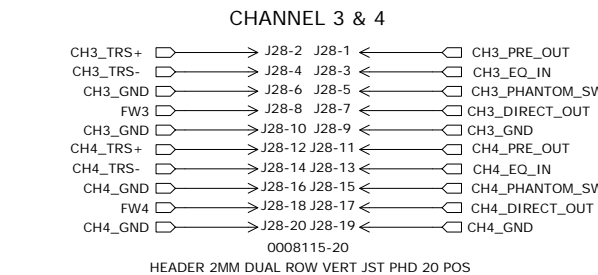
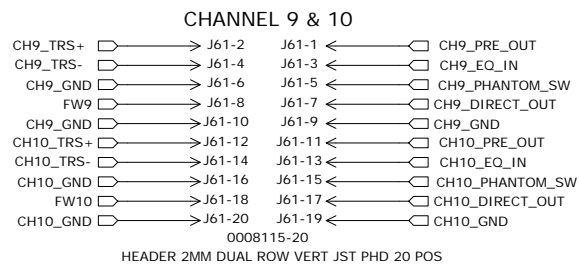
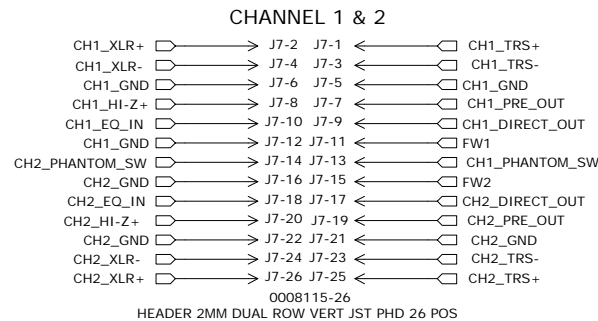
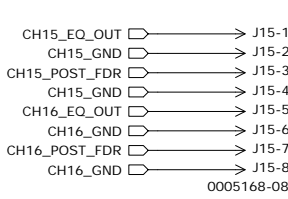
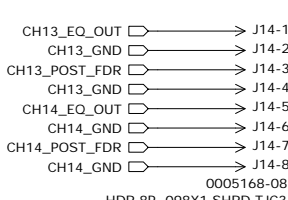
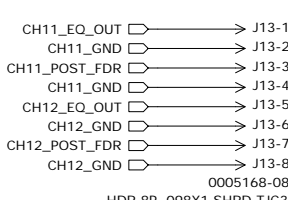
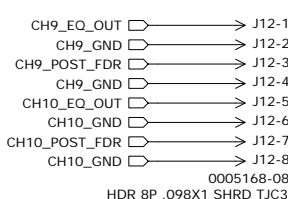
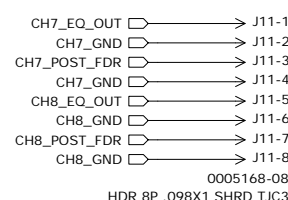
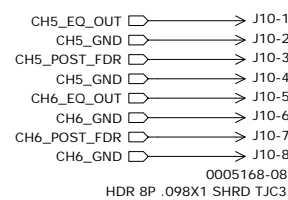
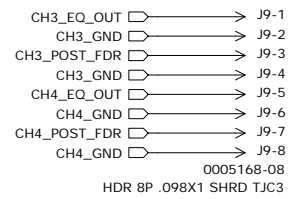
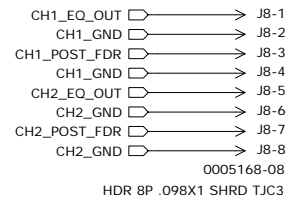


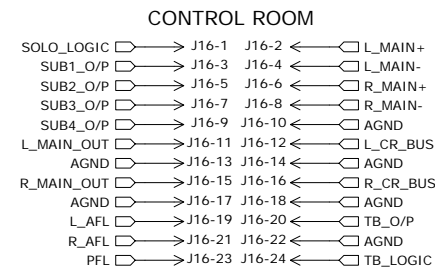
CHANNELS FROM POD



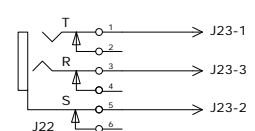
CHANNELS TO FADER



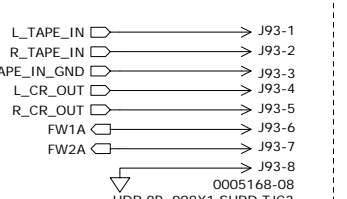
TO FADER BOARD



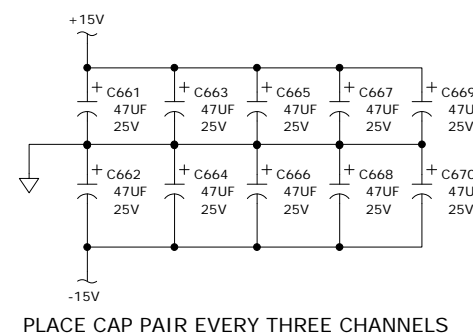
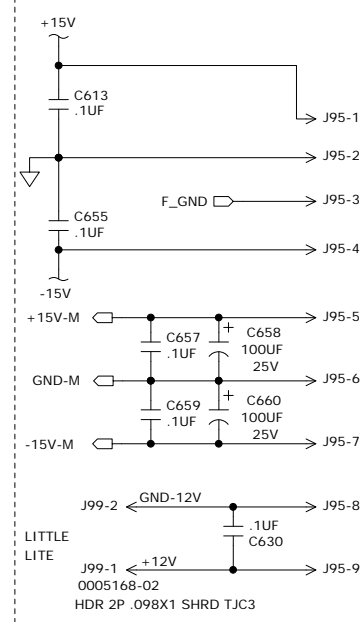
HEAD PHONE JACK BOARD



MISC (FROM POD)



POWER (FROM POD)



PLACE CAP PAIR EVERY THREE CHANNELS

- PCB1 0030561-05 PCB FAB ONYX1 1640I EQ
- SCH1 0030562-XX SCHEMATIC PCB ASSY ONYX1 1640I EQ

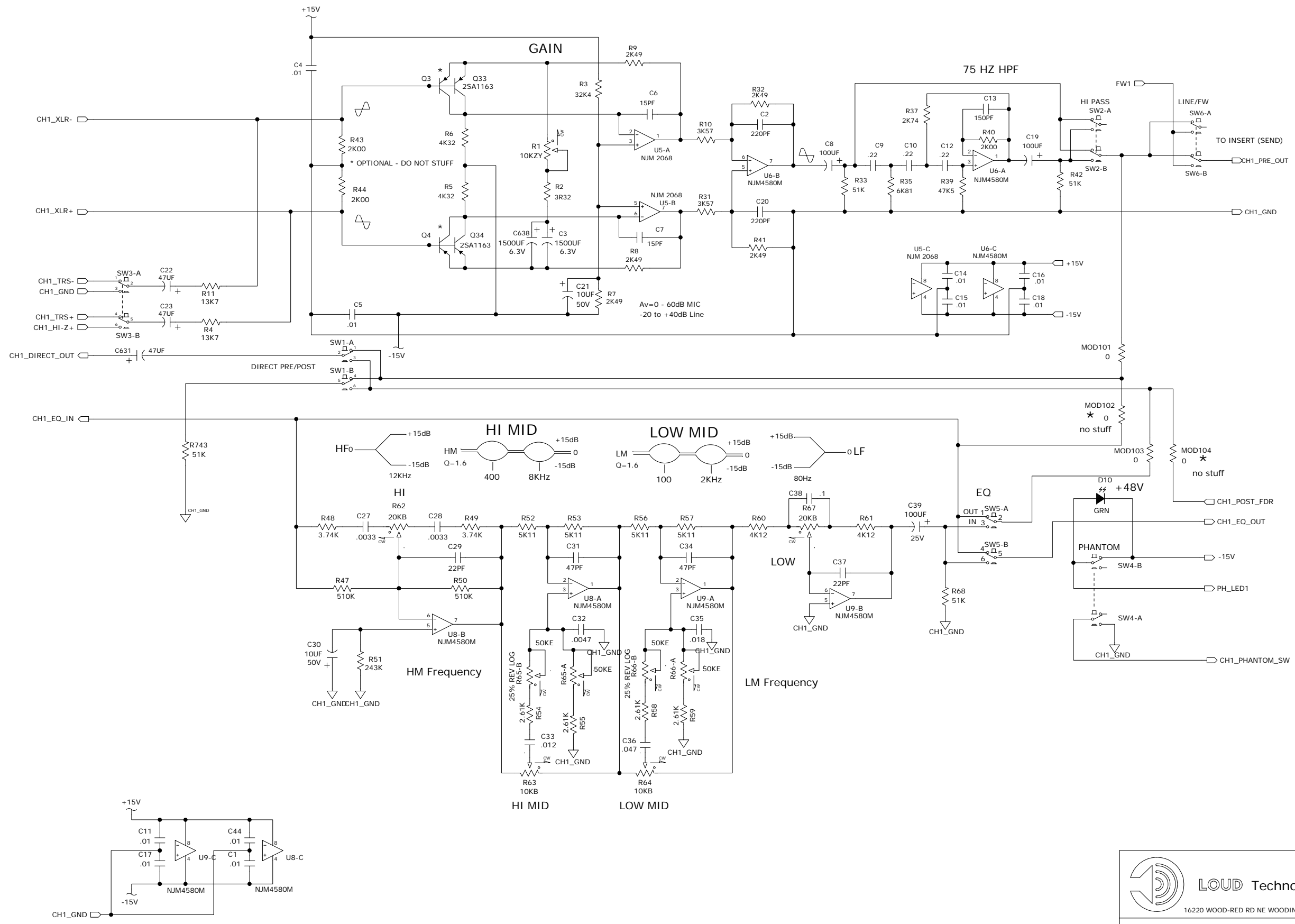
APPROVALS		DATE
DRAWN:	DB	04-01-08
CHECKED:		
NP ENG:		
MATERIAL:		
MFG:		
MFG ENG:		
ISSUED:		

16220 WOOD-RED RD NE WOODINVILLE, WA 98072

ONYX 1640i EQ BOARD INTERCONNECTS

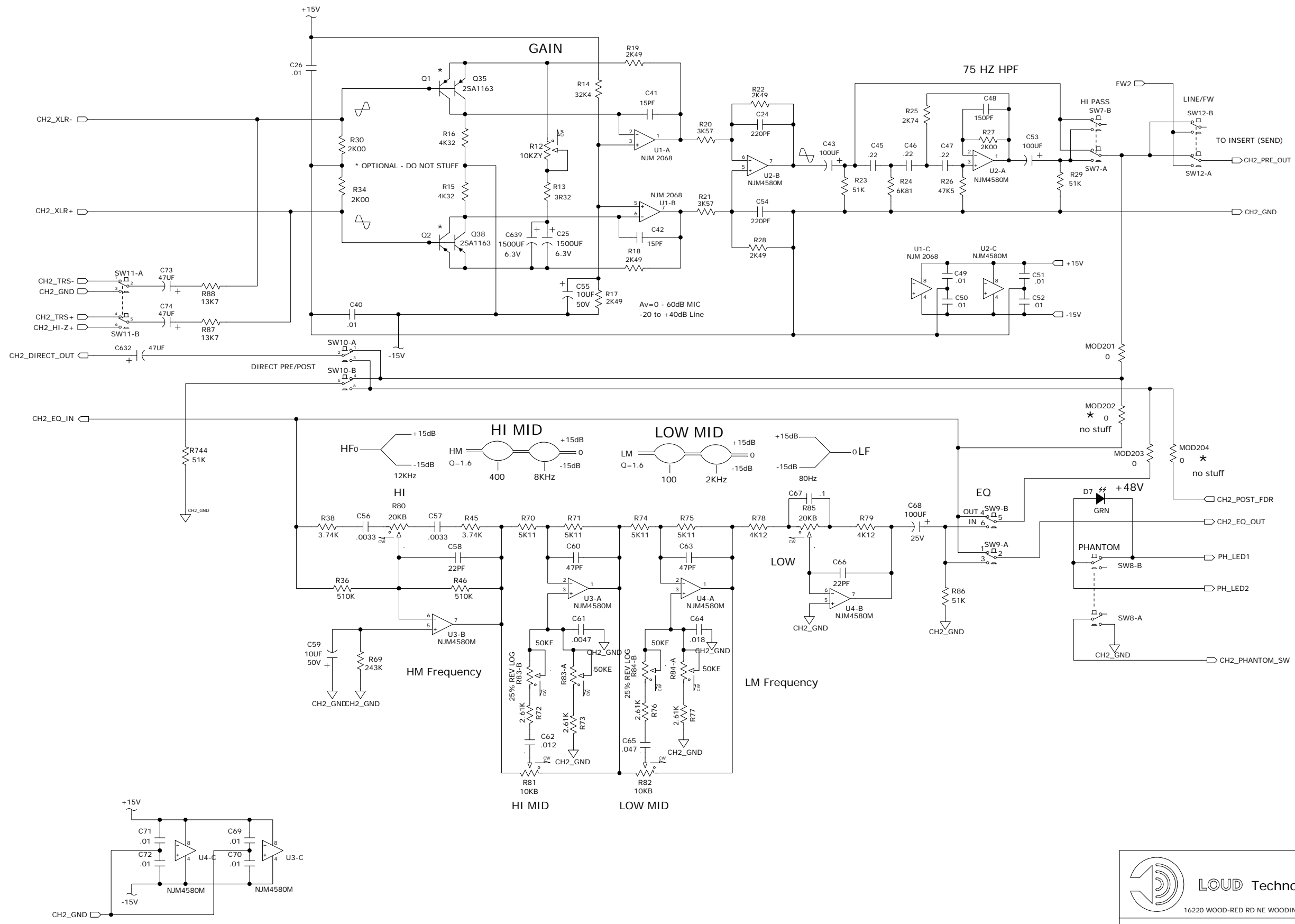
SIZE	SCALE:	DWG. NO.	REV.
D	NONE	0030562-XX	F01
DWG FILE:			SHEET 1 OF 20


© 2008-2011 LOUD TECHNOLOGIES INC.
 ALL RIGHTS RESERVED
 THE INFORMATION CONTAINED HEREIN IS PROPRIETARY AND CONFIDENTIAL PROPERTY OF LOUD TECHNOLOGIES INC.



**ONYX 1640i EQ BOARD
CHANNEL 1 PREAMP, EQ**

SIZE: D	SCALE: NONE	DWG. NO.: 0030562-XX	REV. F01
DWG. FILE:		SHEET 2 OF 20	

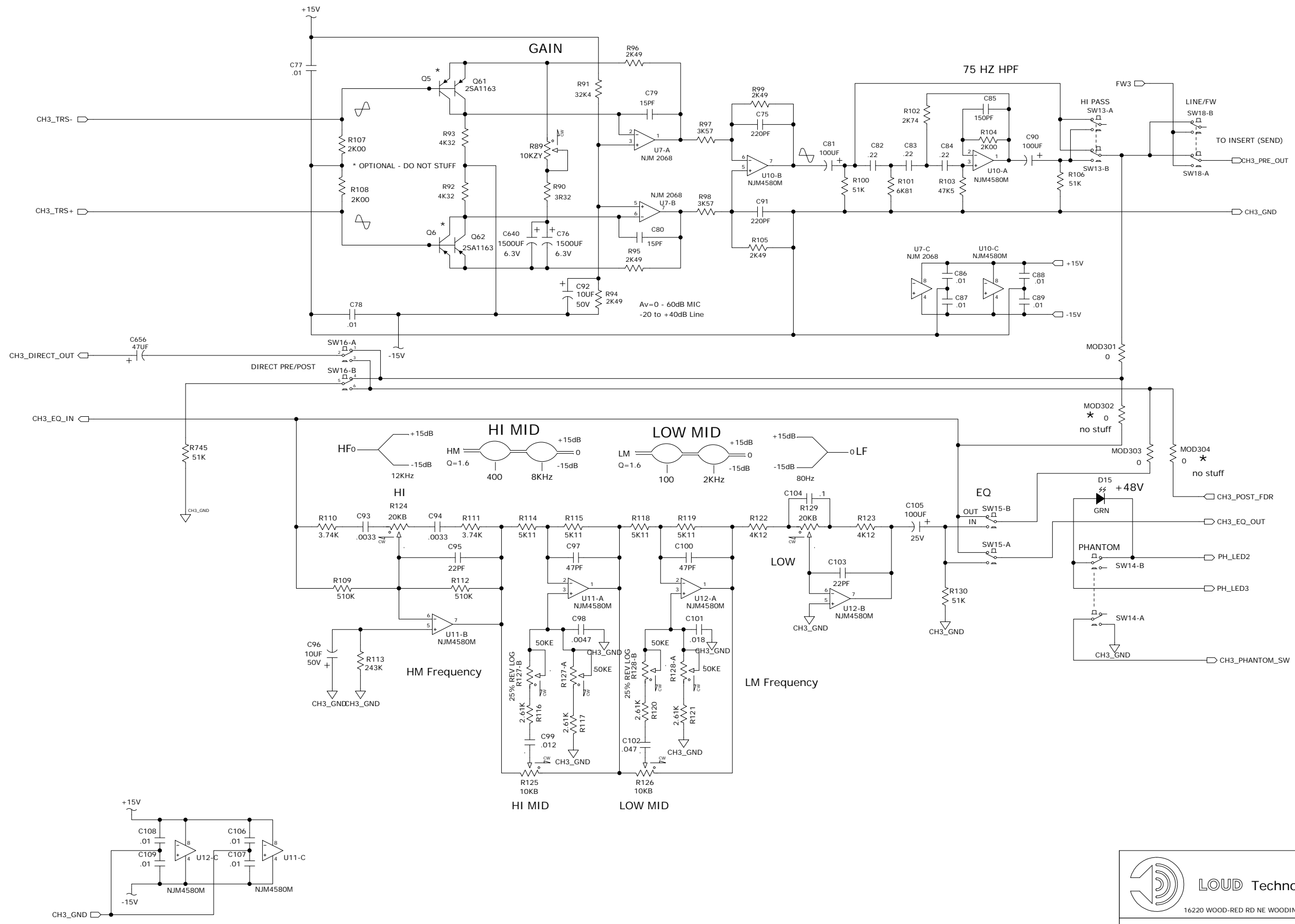





LOUD Technologies Inc.
16220 WOOD-RED RD NE WOODINVILLE, WA 98072

ONYX 1640i EQ BOARD
CHANNEL 2 PREAMP, EQ

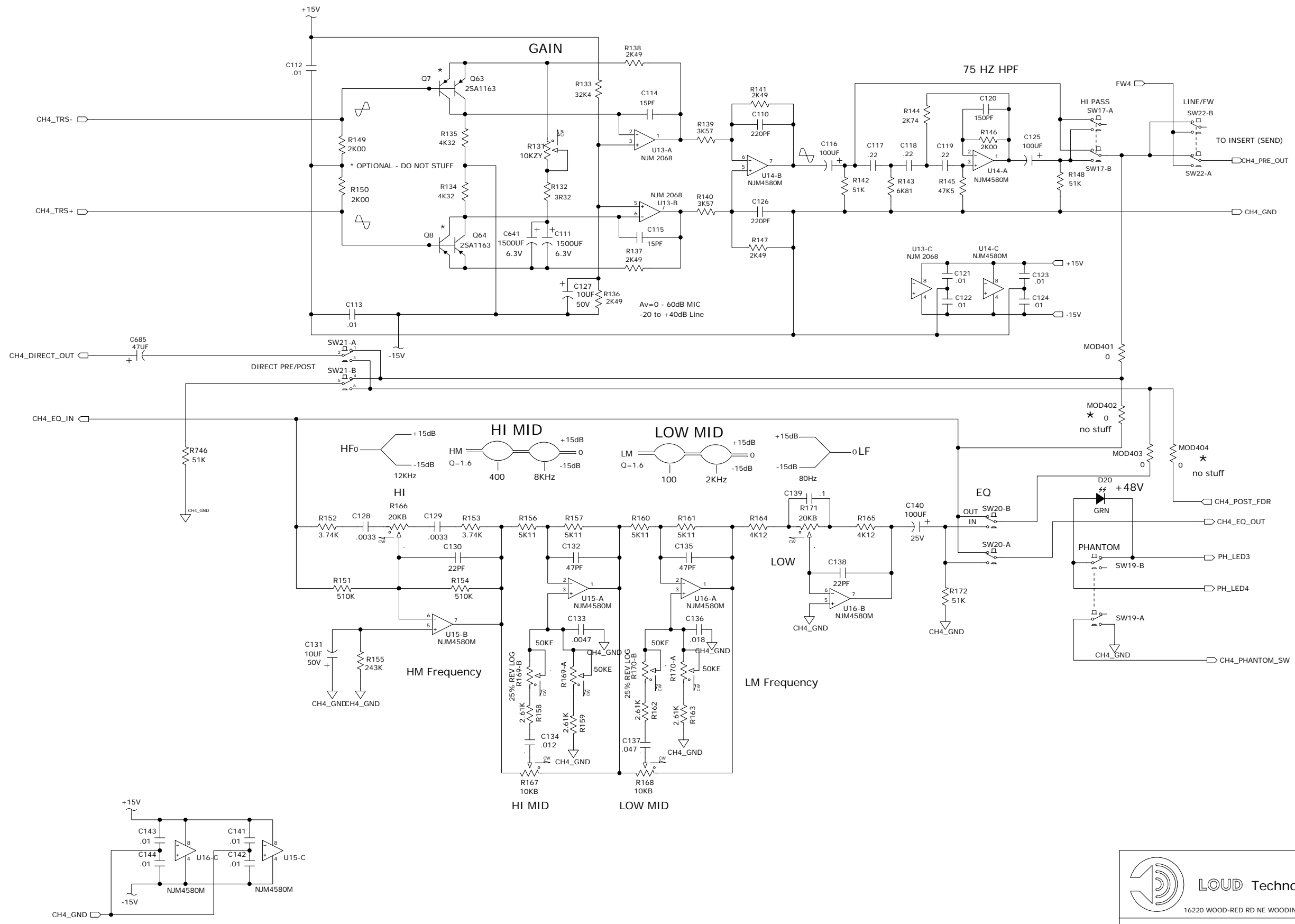
SIZE: D	SCALE: NONE	DWG. NO.: 0030562-XX	REV. F01
DWG. FILE:		SHEET 3 OF 20	




LOUD Technologies Inc.
 16220 WOOD-RED RD NE WOODINVILLE, WA 98072

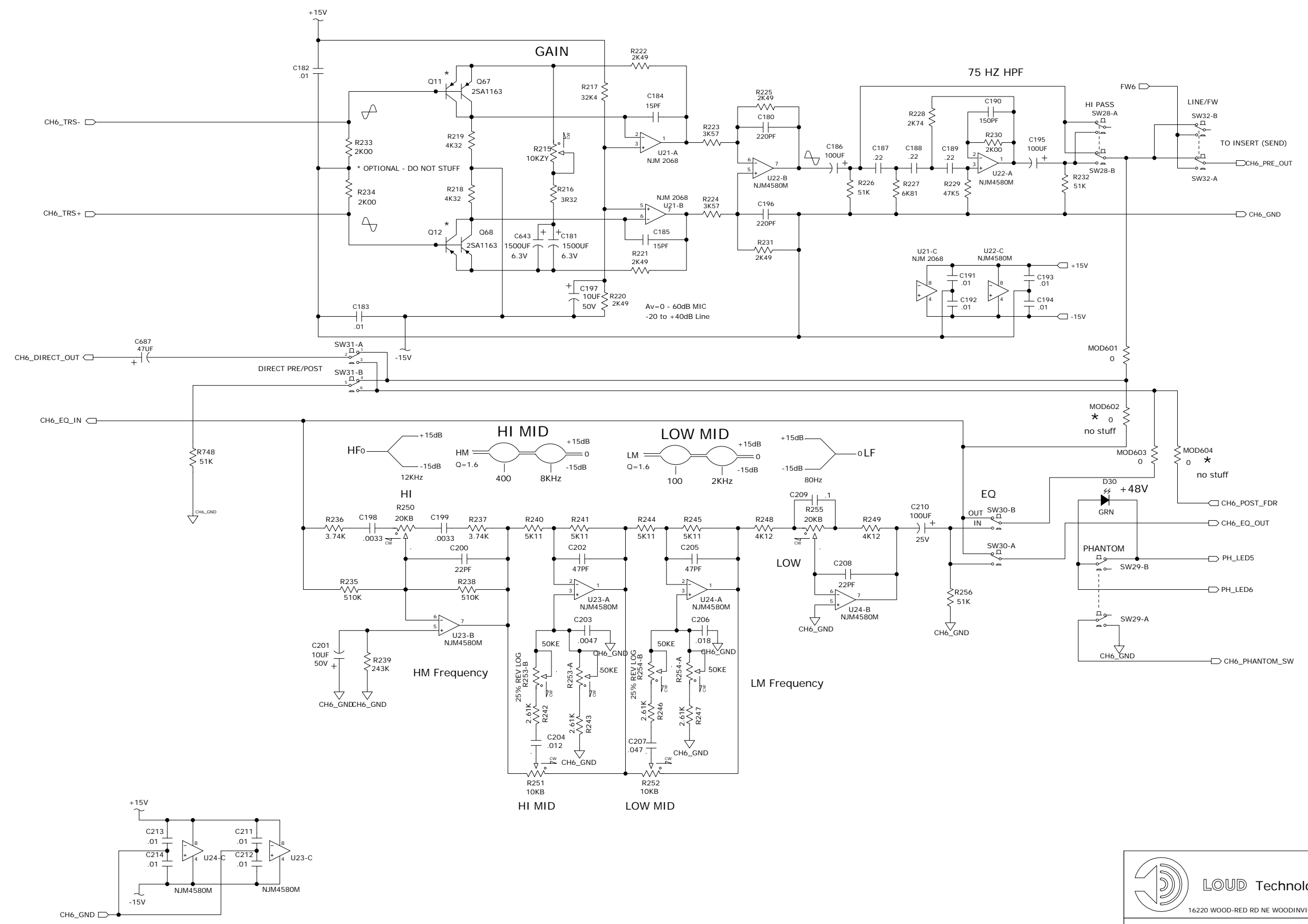

ONYX 1640i EQ BOARD
CHANNEL 3 PREAMP, EQ

SIZE: D	SCALE: NONE	DWG. NO.: 0030562-XX	REV. F01
DWG. FILE:		SHEET 4 OF 20	



**ONYX 1640i EQ BOARD
CHANNEL 4 PREAMP, EQ**

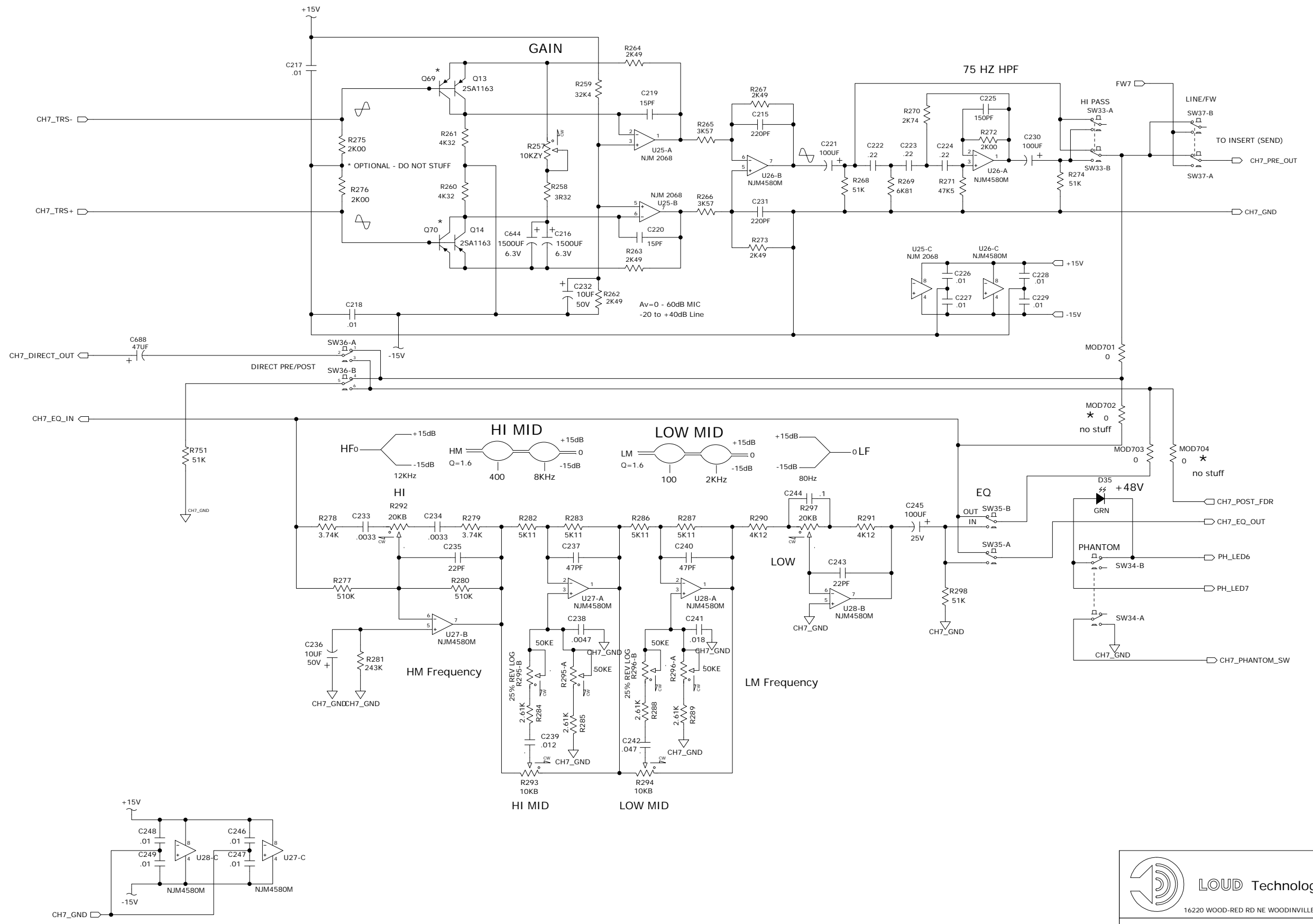
SIZE: D	SCALE: NONE	DWG. NO.: 0030562-XX	REV. F01
DWG. FILE:		SHEET 5 OF 20	





LOUD Technologies Inc.
16220 WOOD-RED RD NE WOODINVILLE, WA 98072

**ONYX 1640i EQ BOARD
CHANNEL 6 PREAMP, EQ**

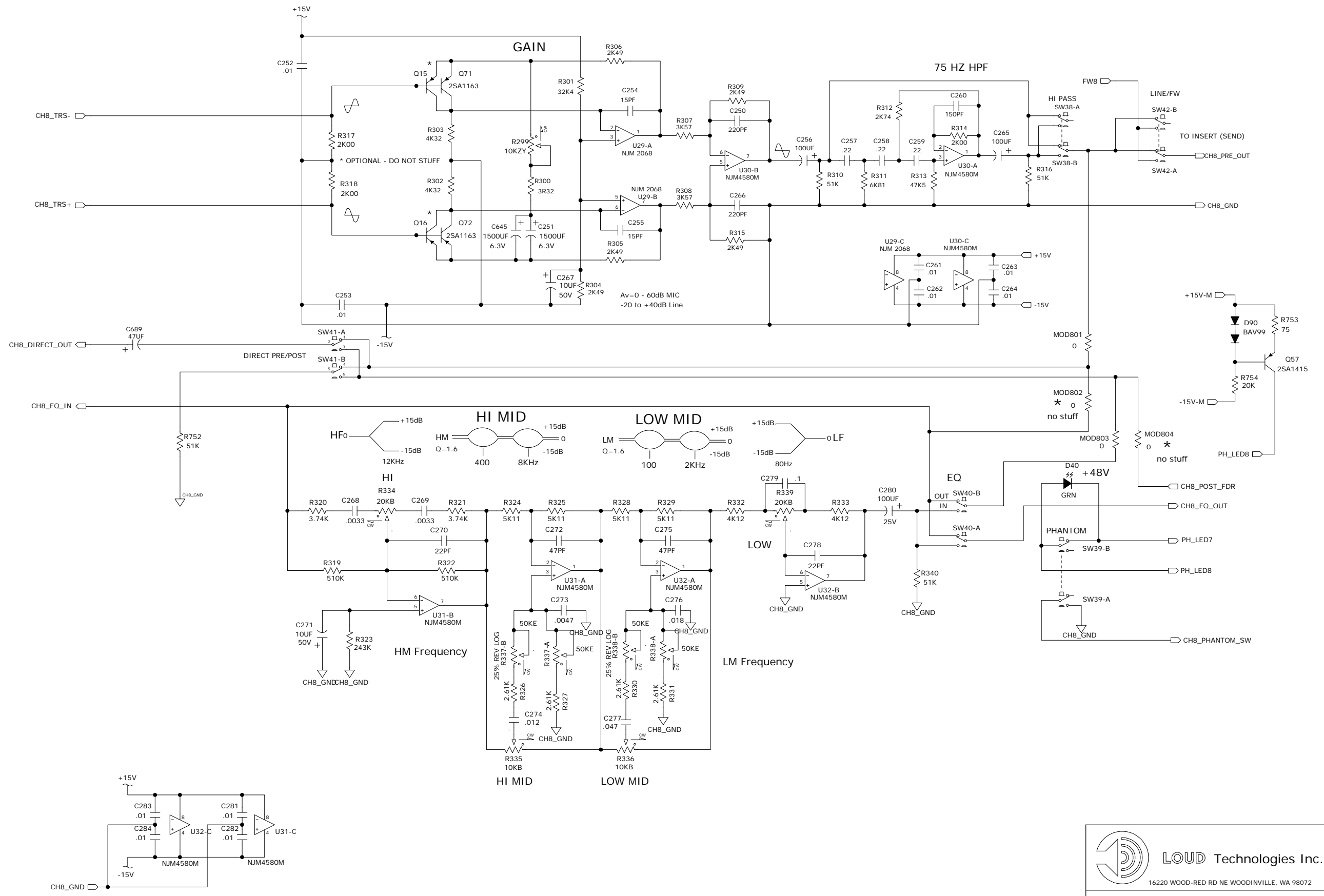
SIZE: D	SCALE: NONE	DWG. NO.: 0030562-XX	REV. F01
DWG. FILE:		SHEET 7 OF 20	




LOUD Technologies Inc.
 16220 WOOD-RED RD NE WOODINVILLE, WA 98072

ONYX 1640i EQ BOARD
CHANNEL 7 PREAMP, EQ

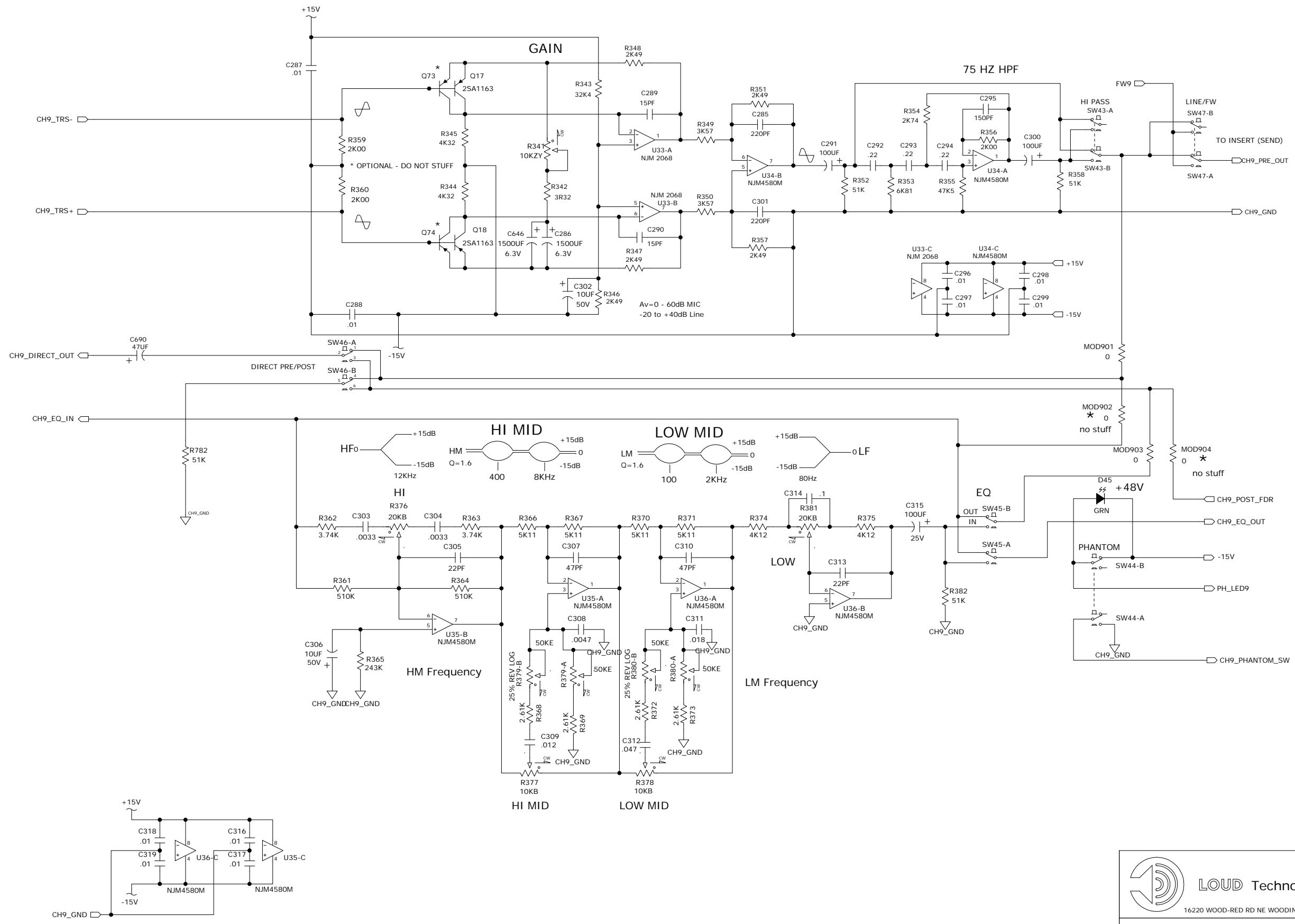
SIZE: D	SCALE: NONE	DWG. NO.: 0030562-XX	REV: F01
DWG. FILE:		SHEET 8 OF 20	




LOUD Technologies Inc.
 16220 WOOD-RED RD NE WOODINVILLE, WA 98072

**ONYX 1640i EQ BOARD
 CHANNEL 8 PREAMP, EQ**

SIZE: D	SCALE: NONE	DWG. NO.: 0030562-XX	REV. F01
DWG. FILE:		SHEET 9 OF 20	

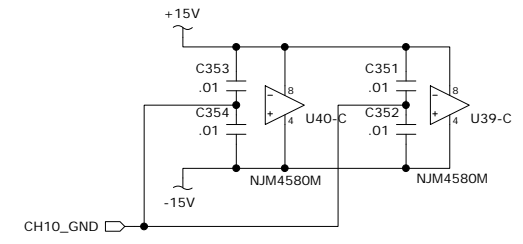
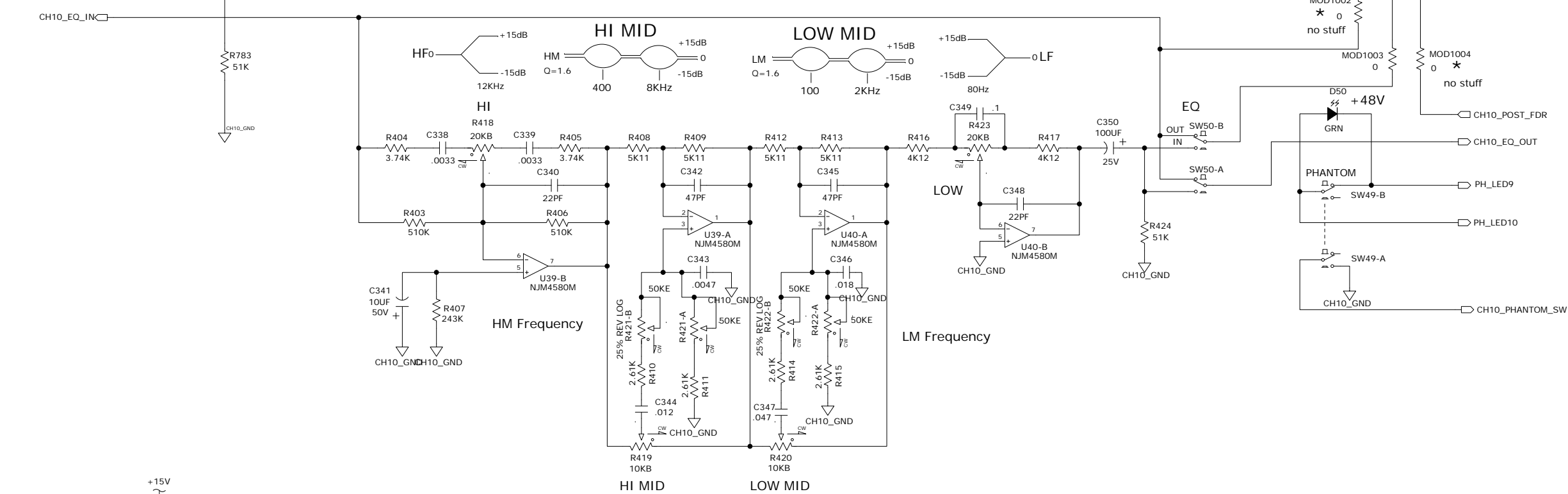
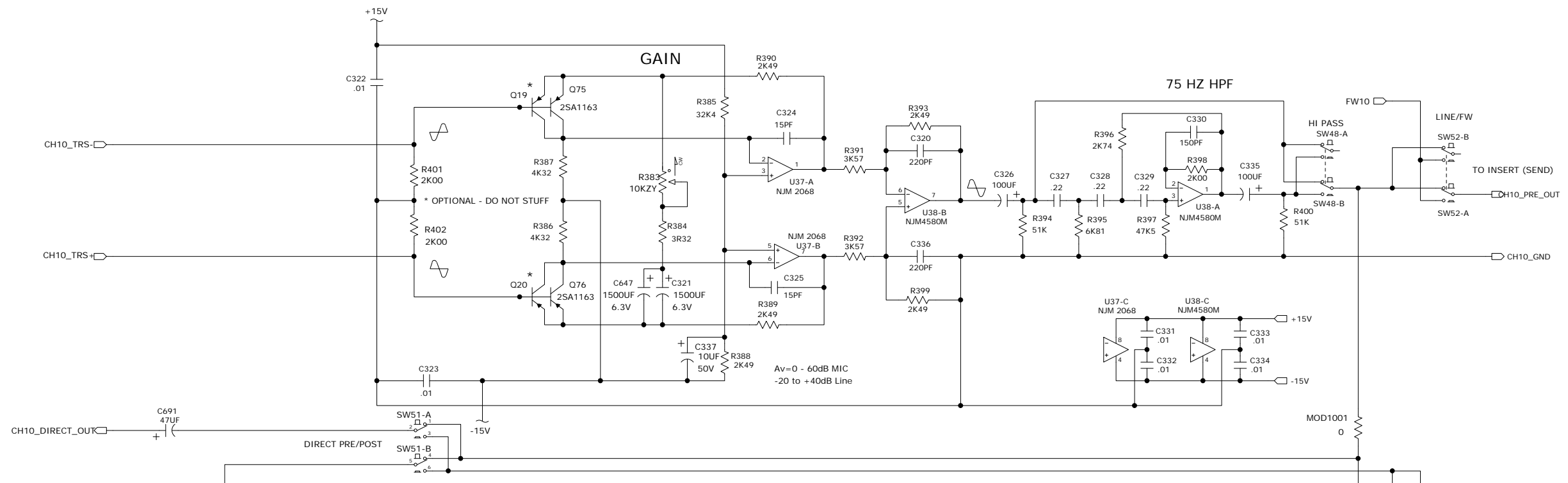




LOUD Technologies Inc.
16220 WOOD-RED RD NE WOODINVILLE, WA 98072

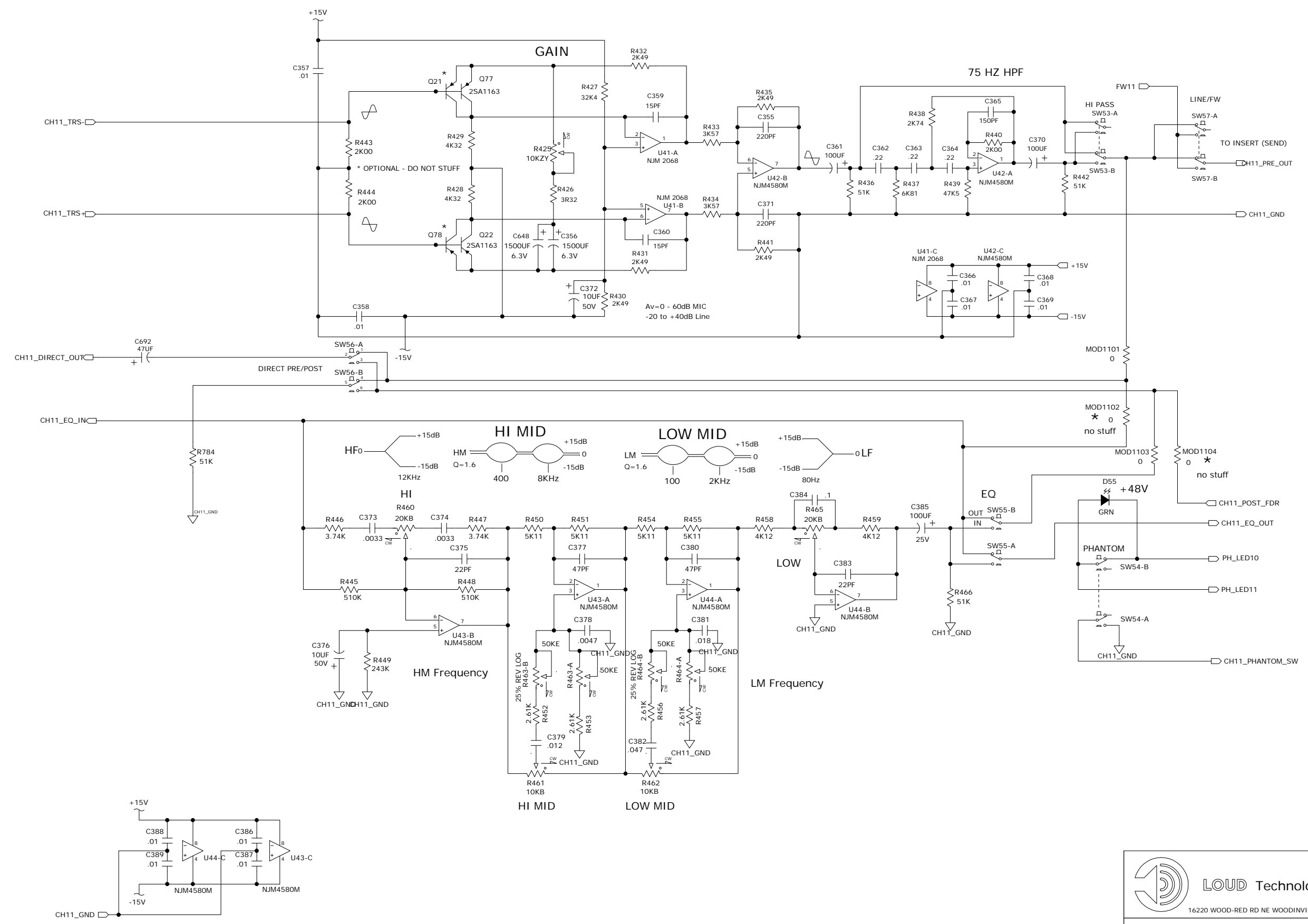
**ONYX 1640i EQ BOARD
CHANNEL 9 PREAMP, EQ**


SIZE: D	SCALE: NONE	DWG. NO.: 0030562-XX	REV. F01
DWG. FILE:		SHEET 10 OF 20	



ONYX 1640i EQ BOARD
CHANNEL 10 PREAMP, EQ

SIZE: D	SCALE: NONE	DWG. NO.: 0030562-XX	REV. F01
DWG. FILE:		SHEET 11 OF 20	

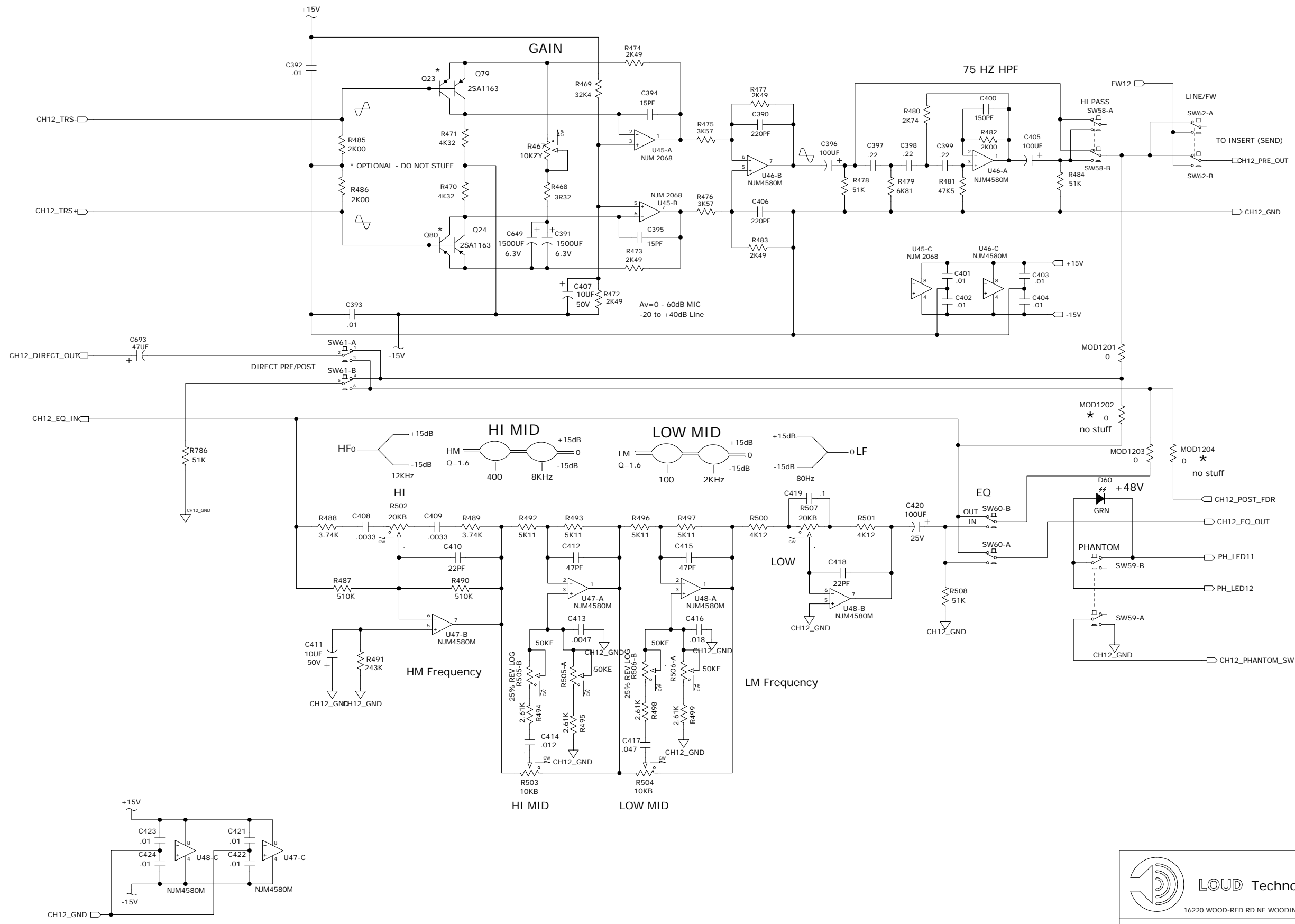




LOUD Technologies Inc.
16220 WOOD-RED RD NE WOODINVILLE, WA 98072

ONYX 1640i EQ BOARD
CHANNEL 11 PREAMP, EQ

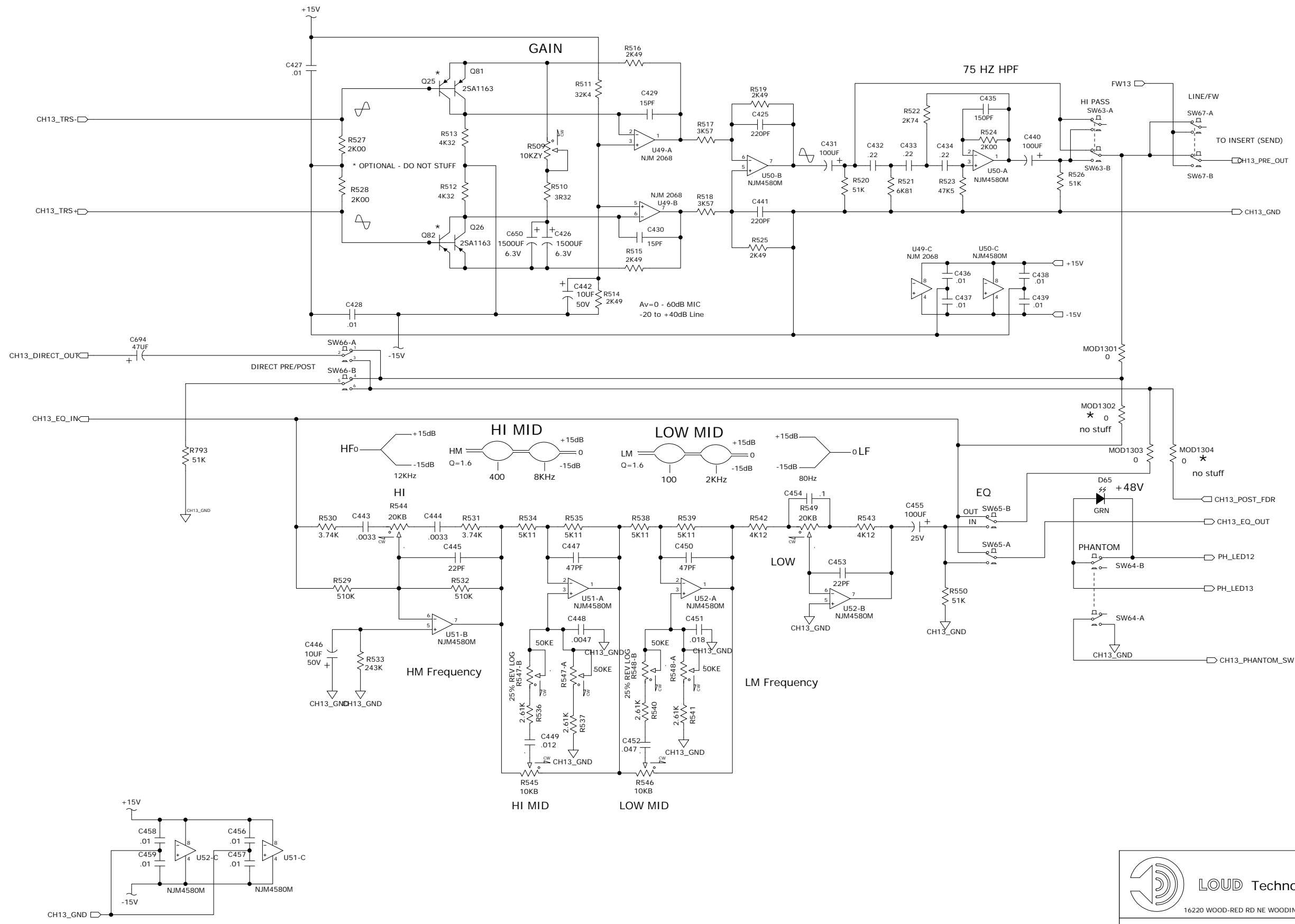
SIZE: D	SCALE: NONE	DWG. NO.: 0030562-XX	REV. F01
DWG. FILE:		SHEET 12 OF 20	



LOUD Technologies Inc.
 16220 WOOD-RED RD NE WOODINVILLE, WA 98072

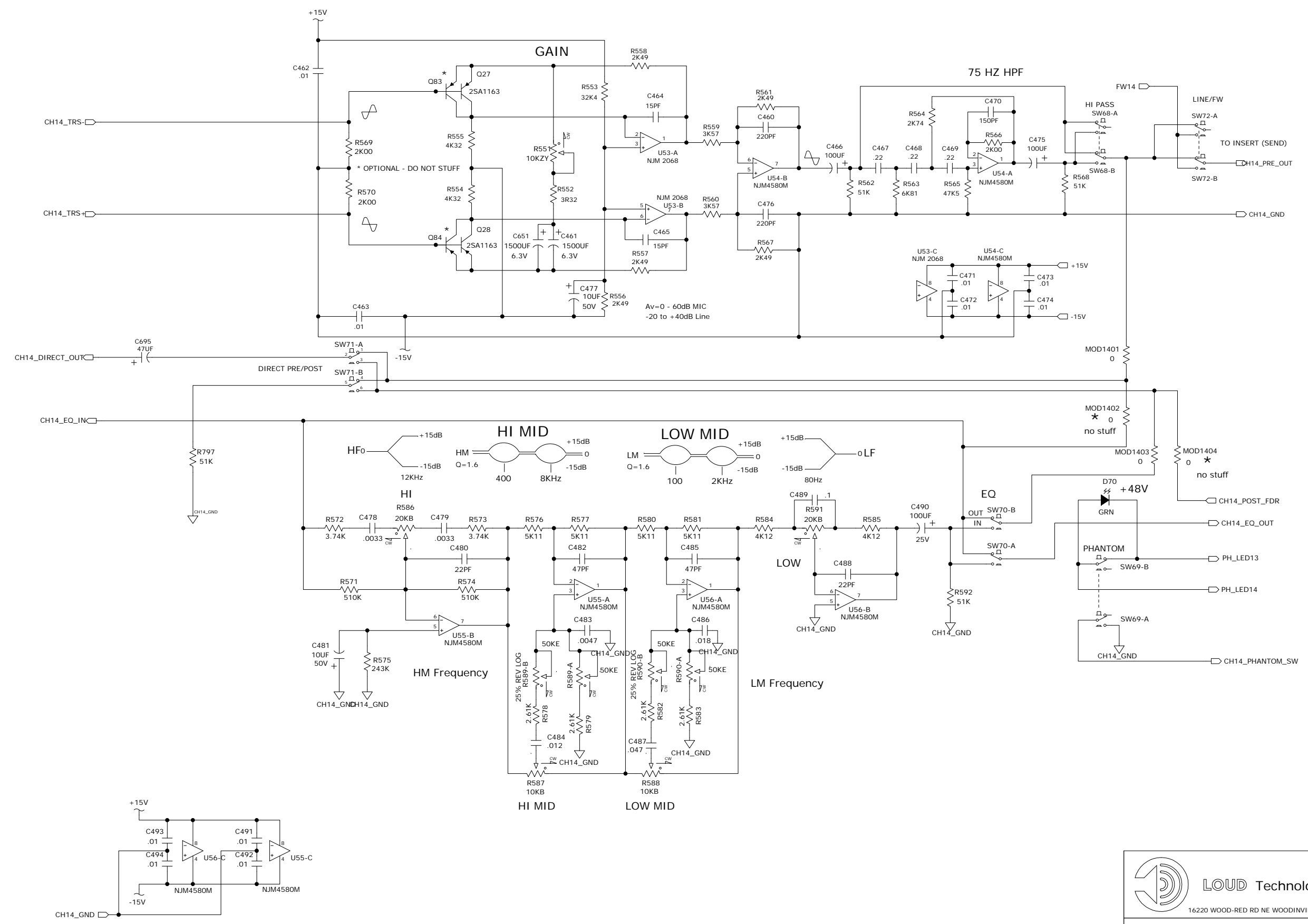
**ONYX 1640i EQ BOARD
 CHANNEL 12 PREAMP, EQ**

SIZE: D	SCALE: NONE	DWG. NO.: 0030562-XX	REV. F01
DWG. FILE:		SHEET 13 OF 20	



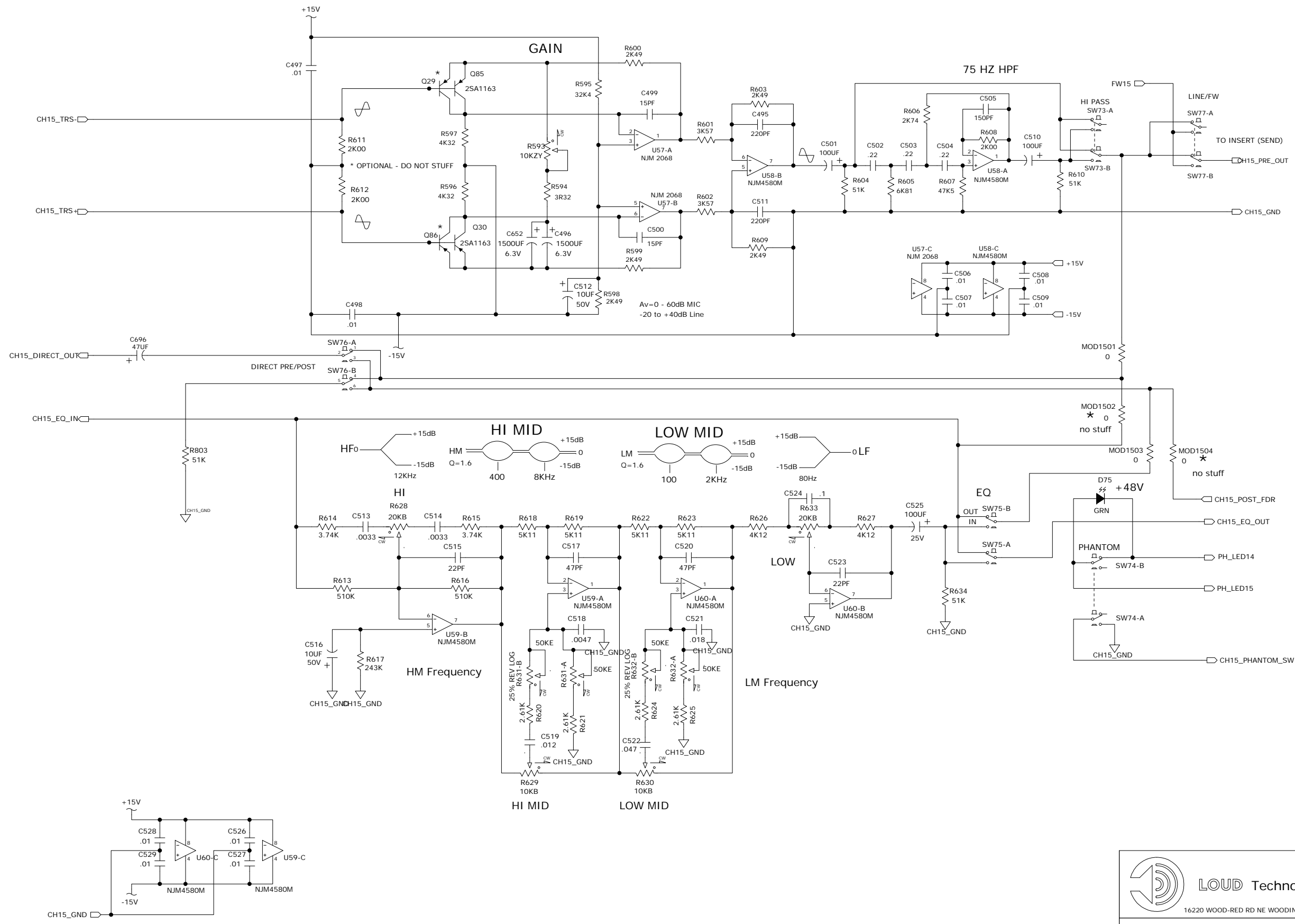
ONYX 1640i EQ BOARD
CHANNEL 13 PREAMP, EQ

SIZE: D	SCALE: NONE	DWG. NO.: 0030562-XX	REV. F01
DWG. FILE:		SHEET 14 OF 20	



ONYX 1640i EQ BOARD
CHANNEL 14 PREAMP, EQ

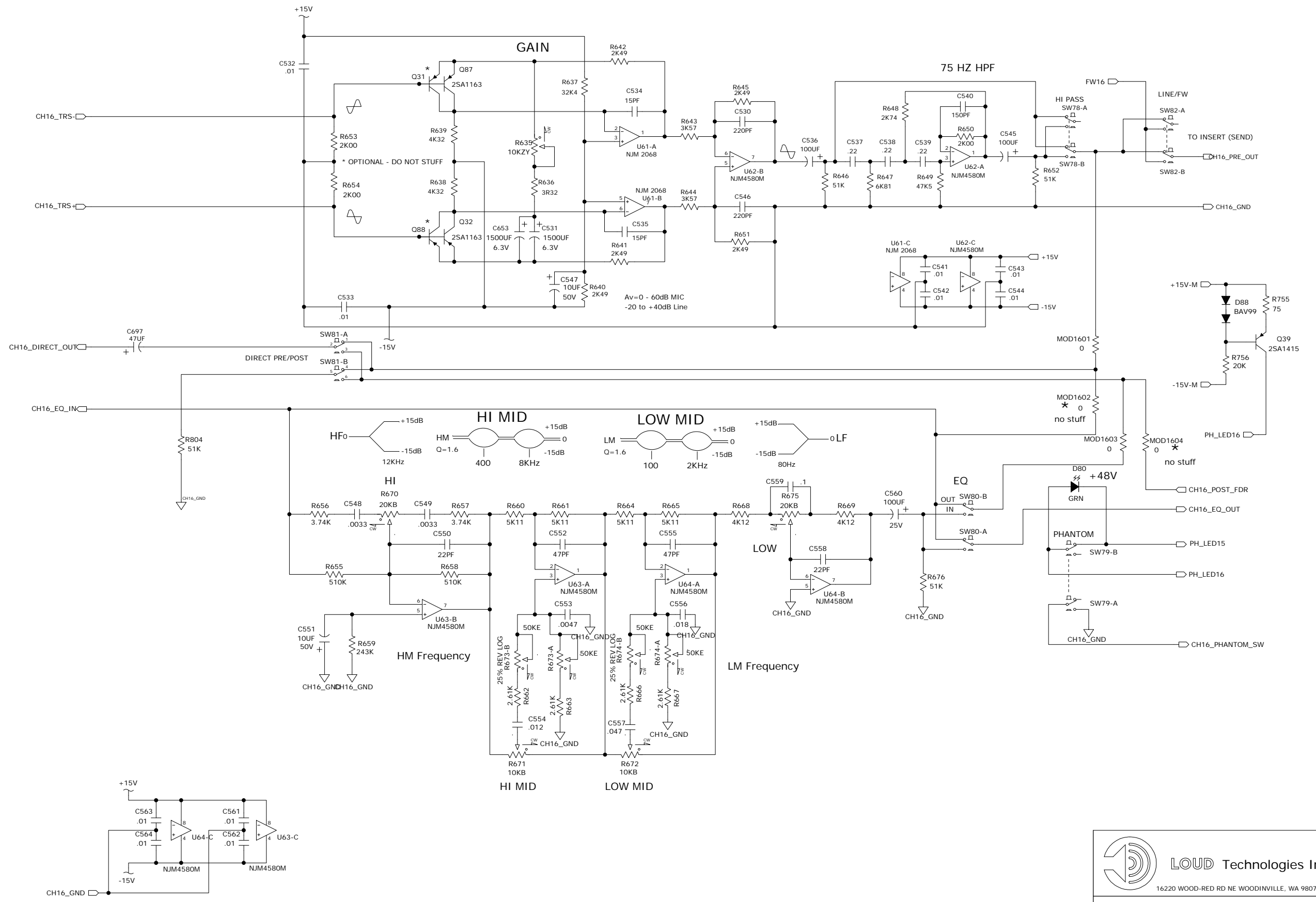
SIZE: D	SCALE: NONE	DWG. NO.: 0030562-XX	REV. F01
DWG. FILE:		SHEET 15 OF 20	



LOUD Technologies Inc.
16220 WOOD-RED RD NE WOODINVILLE, WA 98072

**ONYX 1640i EQ BOARD
CHANNEL 15 PREAMP, EQ**

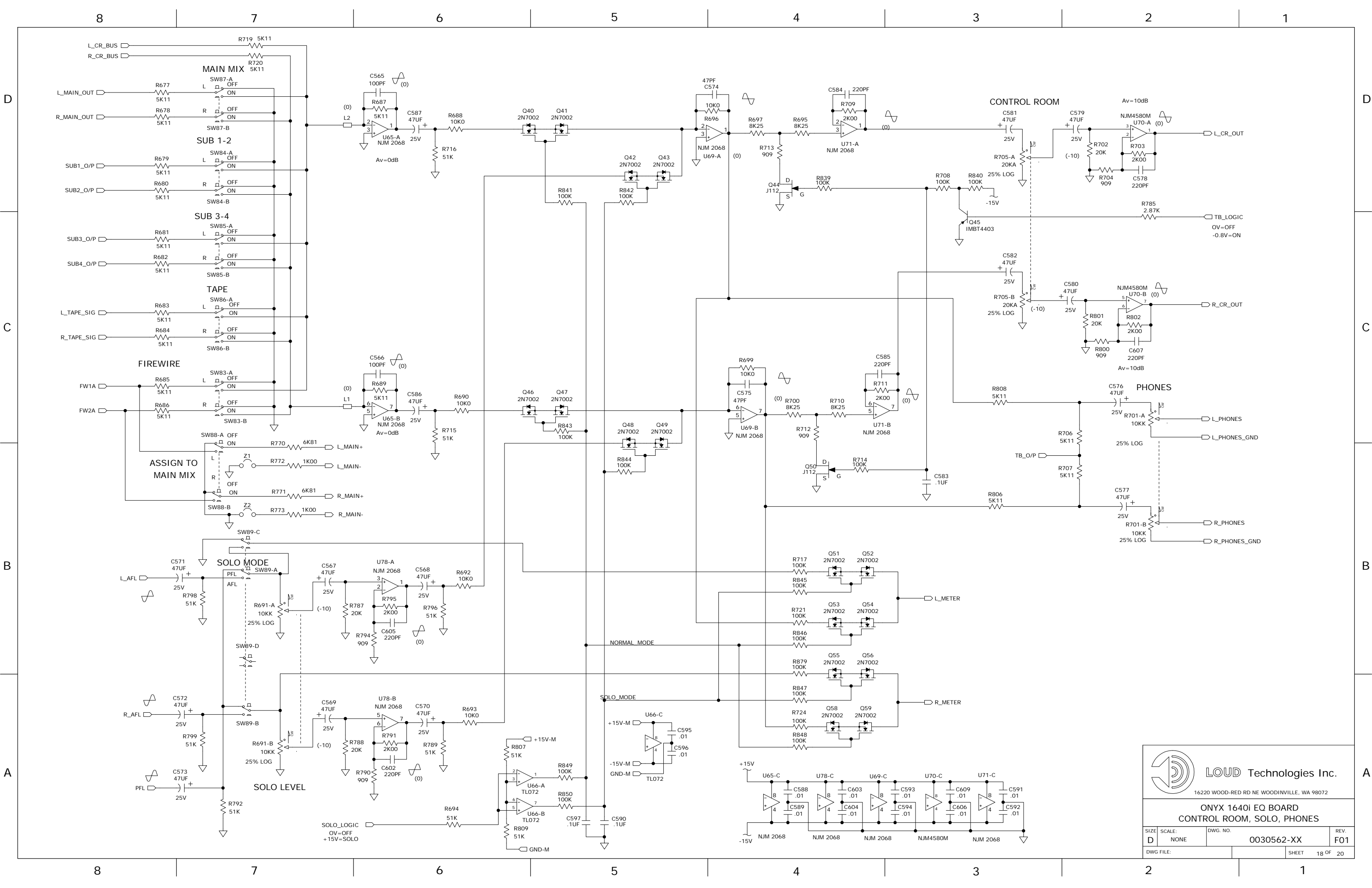
SIZE: D	SCALE: NONE	DWG. NO.: 0030562-XX	REV. F01
DWG. FILE:		SHEET 16 OF 20	



LOUD Technologies Inc.
 16220 WOOD-RED RD NE WOODINVILLE, WA 98072

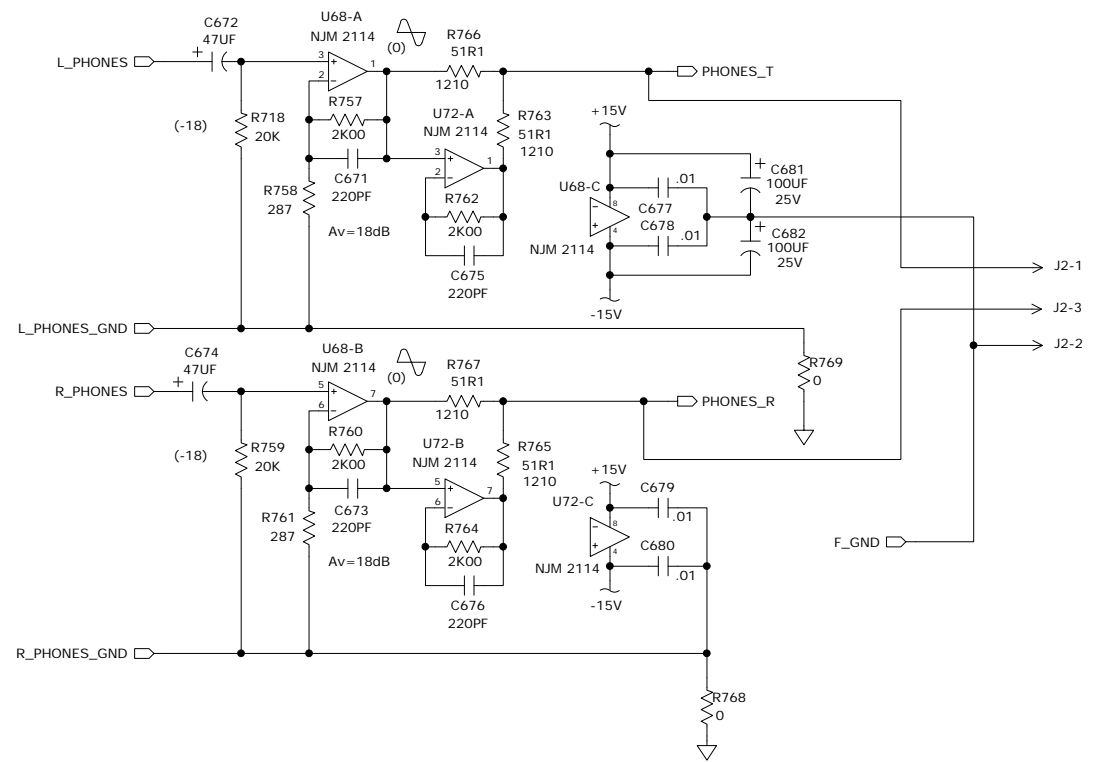
**ONYX 1640i EQ BOARD
 CHANNEL 16 PREAMP, EQ**

SIZE: D	SCALE: NONE	DWG. NO.: 0030562-XX	REV. F01
DWG. FILE:		SHEET 17 OF 20	



ONYX 1640i EQ BOARD
CONTROL ROOM, SOLO, PHONES

SIZE: D	SCALE: NONE	DWG. NO.: 0030562-XX	REV. F01
DWG. FILE:		SHEET 18 OF 20	



- SM RECTANGLE BUTTON 5X7mm BLUE 320 "EQ" 0008793-10

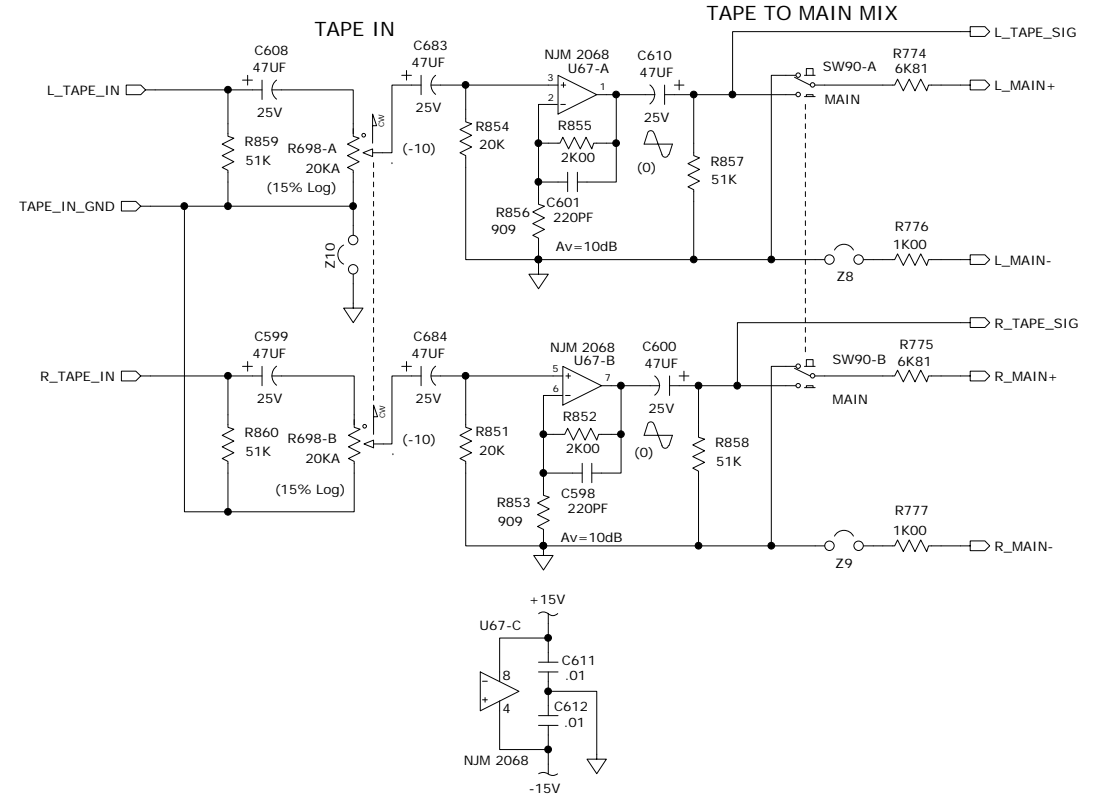
<input type="checkbox"/> BTN5	<input type="checkbox"/> BTN25	<input type="checkbox"/> BTN45	<input type="checkbox"/> BTN65
<input type="checkbox"/> BTN9	<input type="checkbox"/> BTN30	<input type="checkbox"/> BTN50	<input type="checkbox"/> BTN70
<input type="checkbox"/> BTN15	<input type="checkbox"/> BTN35	<input type="checkbox"/> BTN55	<input type="checkbox"/> BTN75
<input type="checkbox"/> BTN20	<input type="checkbox"/> BTN40	<input type="checkbox"/> BTN60	<input type="checkbox"/> BTN80
- SM RECTANGLE BUTTON 5X7mm CONTROL GREY 0008793-03

<input type="checkbox"/> BTN84	<input type="checkbox"/> BTN88
<input type="checkbox"/> BTN85	<input type="checkbox"/> BTN89
<input type="checkbox"/> BTN86	<input type="checkbox"/> BTN90
<input type="checkbox"/> BTN87	
- SM RECTANGLE BUTTON 5X7mm CONTROL GREY "48V" 0008793-06

<input type="checkbox"/> BTN4	<input type="checkbox"/> BTN24	<input type="checkbox"/> BTN44	<input type="checkbox"/> BTN64
<input type="checkbox"/> BTN8	<input type="checkbox"/> BTN29	<input type="checkbox"/> BTN49	<input type="checkbox"/> BTN69
<input type="checkbox"/> BTN14	<input type="checkbox"/> BTN34	<input type="checkbox"/> BTN54	<input type="checkbox"/> BTN74
<input type="checkbox"/> BTN19	<input type="checkbox"/> BTN39	<input type="checkbox"/> BTN59	<input type="checkbox"/> BTN79
- SM RECTANGLE BUTTON 5X7mm CONTROL GREY "LOW CUT" (SYMBOL) 0008793-09

<input type="checkbox"/> BTN2	<input type="checkbox"/> BTN23	<input type="checkbox"/> BTN43	<input type="checkbox"/> BTN68
<input type="checkbox"/> BTN7	<input type="checkbox"/> BTN28	<input type="checkbox"/> BTN53	<input type="checkbox"/> BTN48
<input type="checkbox"/> BTN13	<input type="checkbox"/> BTN33	<input type="checkbox"/> BTN58	<input type="checkbox"/> BTN73
<input type="checkbox"/> BTN17	<input type="checkbox"/> BTN38	<input type="checkbox"/> BTN63	<input type="checkbox"/> BTN78
- SM RECTANGLE BUTTON 5X7mm CONTROL GREY "FIREWIRE" (SYMBOL) 0008793-21

<input type="checkbox"/> BTN1	<input type="checkbox"/> BTN21	<input type="checkbox"/> BTN36	<input type="checkbox"/> BTN51	<input type="checkbox"/> BTN62	<input type="checkbox"/> BTN76
<input type="checkbox"/> BTN6	<input type="checkbox"/> BTN22	<input type="checkbox"/> BTN37	<input type="checkbox"/> BTN52	<input type="checkbox"/> BTN66	<input type="checkbox"/> BTN77
<input type="checkbox"/> BTN10	<input type="checkbox"/> BTN26	<input type="checkbox"/> BTN41	<input type="checkbox"/> BTN56	<input type="checkbox"/> BTN67	<input type="checkbox"/> BTN81
<input type="checkbox"/> BTN12	<input type="checkbox"/> BTN27	<input type="checkbox"/> BTN42	<input type="checkbox"/> BTN57	<input type="checkbox"/> BTN71	<input type="checkbox"/> BTN82
<input type="checkbox"/> BTN16	<input type="checkbox"/> BTN31	<input type="checkbox"/> BTN46	<input type="checkbox"/> BTN61	<input type="checkbox"/> BTN72	<input type="checkbox"/> BTN83
<input type="checkbox"/> BTN18	<input type="checkbox"/> BTN32	<input type="checkbox"/> BTN47			



- SO1 0008320-01 STDF SWAGE M3 X .138MM 4.7 DIA
- SO2
- SO3
- SO4
- SO5
- SO6
- SO7
- SO8
- SO9
- SO10
- SO11
- SO12
- SO13
- SO14
- SO15
- SO16
- SO17
- SO18
- SO19
- SO20

LOUD Technologies Inc.
16220 WOOD-RED RD NE WOODINVILLE, WA 98072

ONYX 1640i EQ BOARD
TAPE IN, MISC.

SIZE: D	SCALE: NONE	DWG. NO.: 0030562-XX	REV. F01
DWG. FILE:		SHEET 19 OF 20	

D

D

C

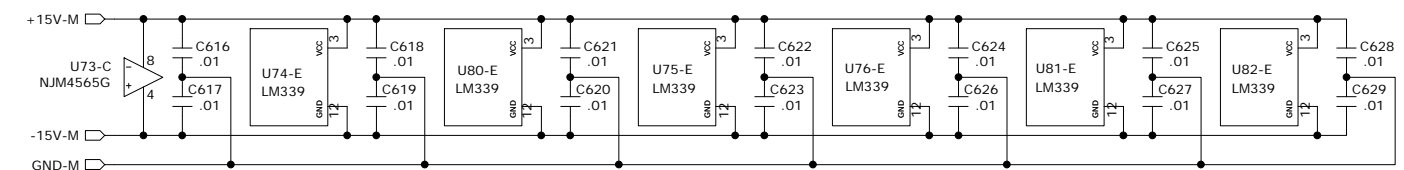
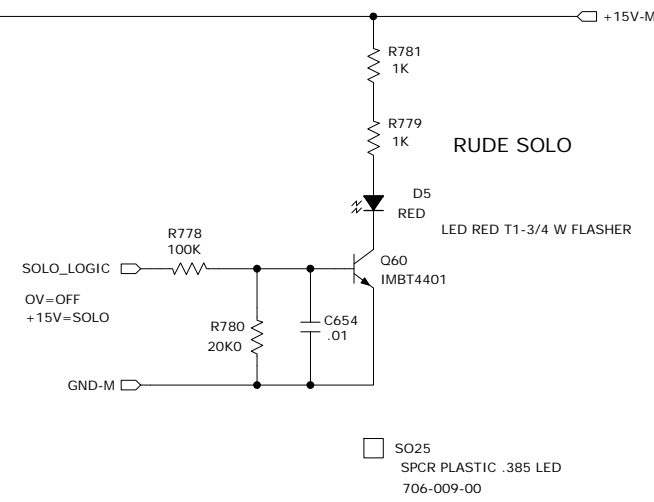
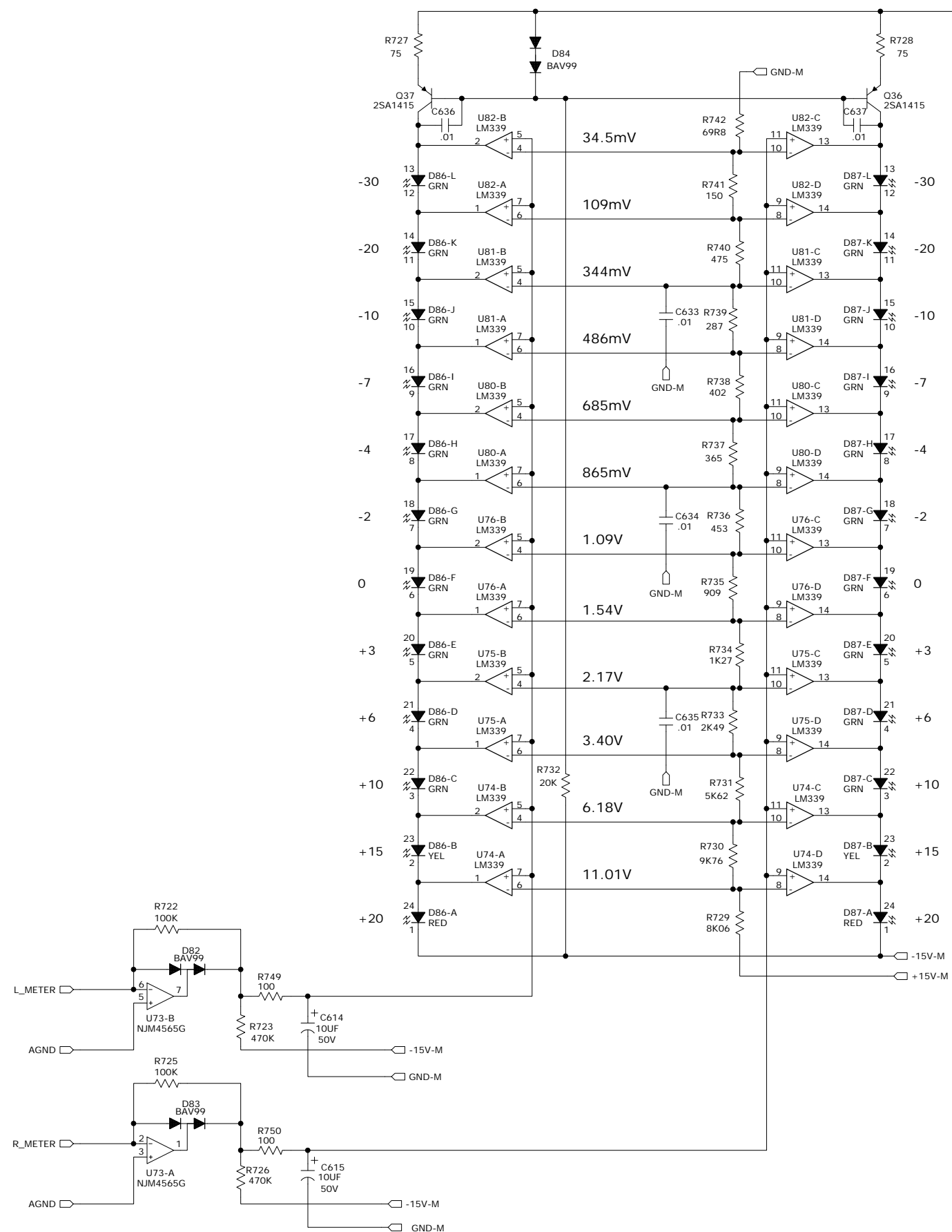
C


B

B

A

A





LOUD Technologies Inc.
16220 WOOD-RED RD NE WOODINVILLE, WA 98072

**ONYX 1640i EQ BOARD
METER**

SIZE: D	SCALE: NONE	DWG. NO.: 0030562-XX	REV: F01
DWG. FILE:		SHEET 20 OF 20	