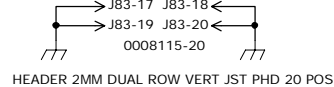
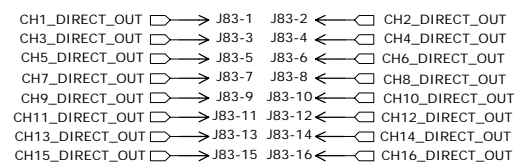
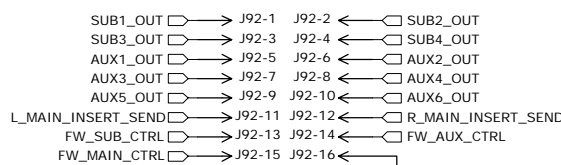


TO FIREWIRE BD

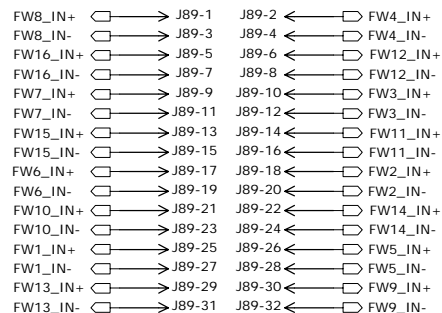
DIRECT OUTS



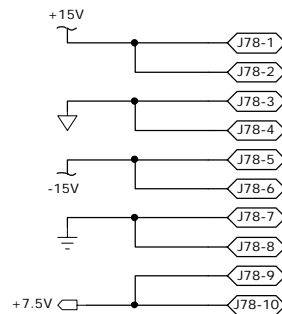
FIREWIRE ALTERNATES



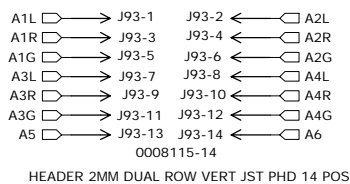
FIREWIRE RETURNS



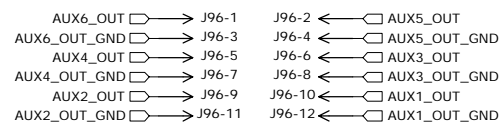
POWER TO FIREWIRE



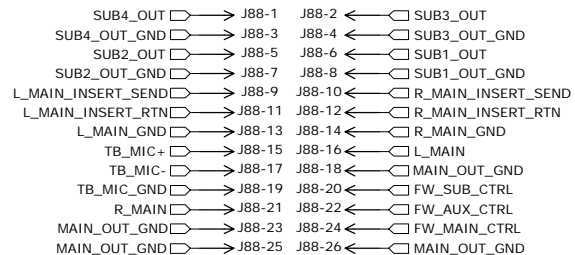
AUX RETURNS (TO FADER)



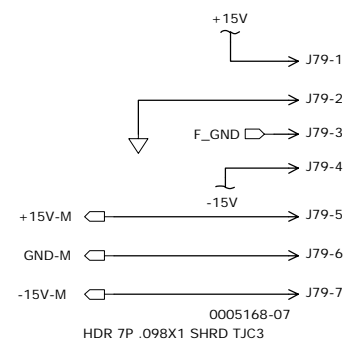
AUX SENDS (TO FADER)



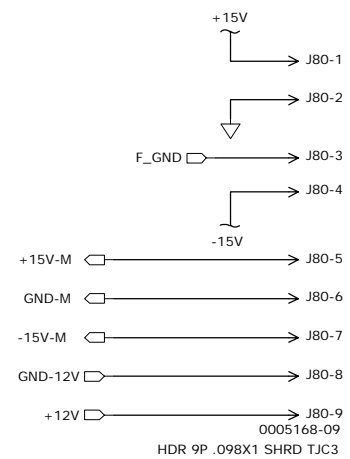
MAIN/SUB/MISC (TO FADER)



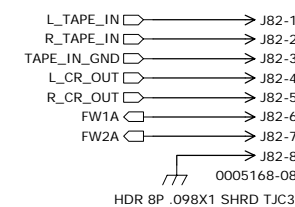
POWER (TO FADER)



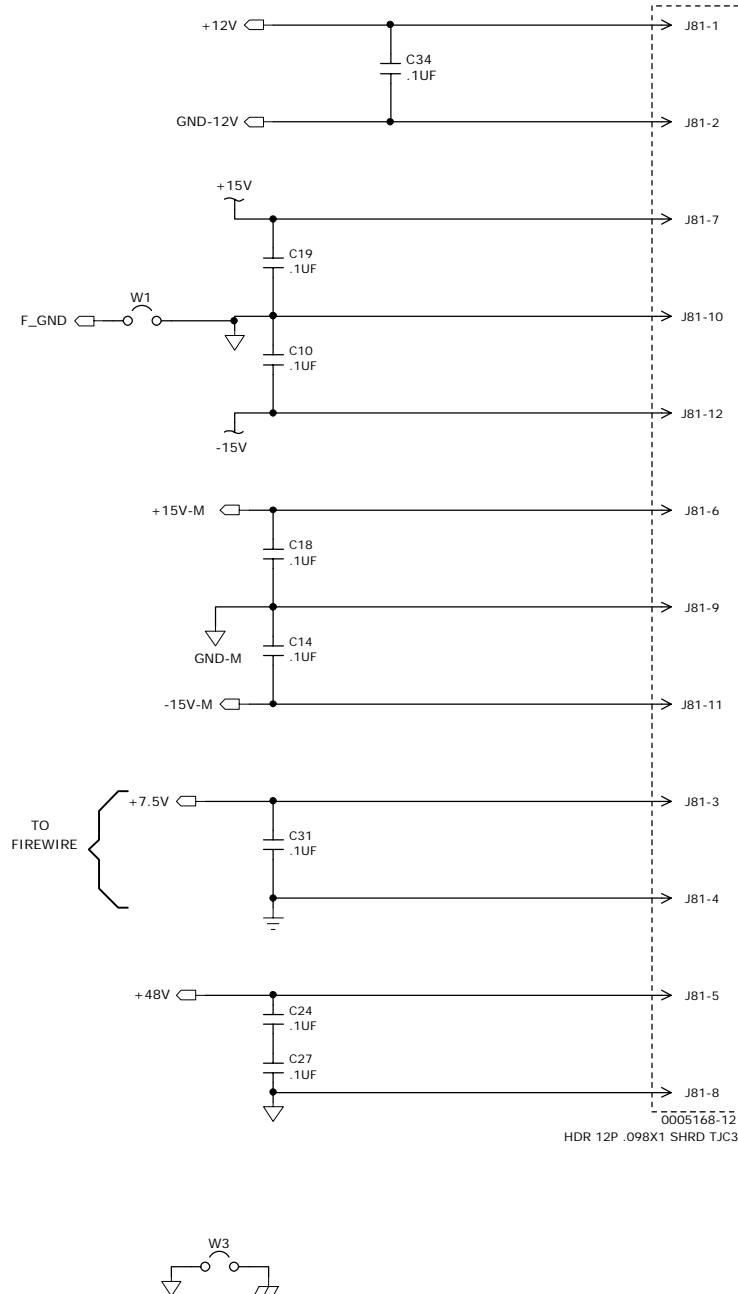
POWER (TO EQ)



MISC (TO EQ)



POWER INPUT (FROM SUPPLY)



- SO5 0008320-09
- STDF SWAGE M3 X 10.2MM 4.7 DIA
- SO6 SO10 SO1
- SO7 SO11 SO2
- SO8 SO12 SO4
- SO9 SO3

APPROVALS	DATE
DRAWN: DB	04-01-08
CHECKED:	
NP ENG:	
MATERIAL:	
MFG:	
MFG ENG:	
ISSUED:	

LOUD Technologies Inc.
 16220 WOOD-RED RD NE WOODINVILLE, WA 98072

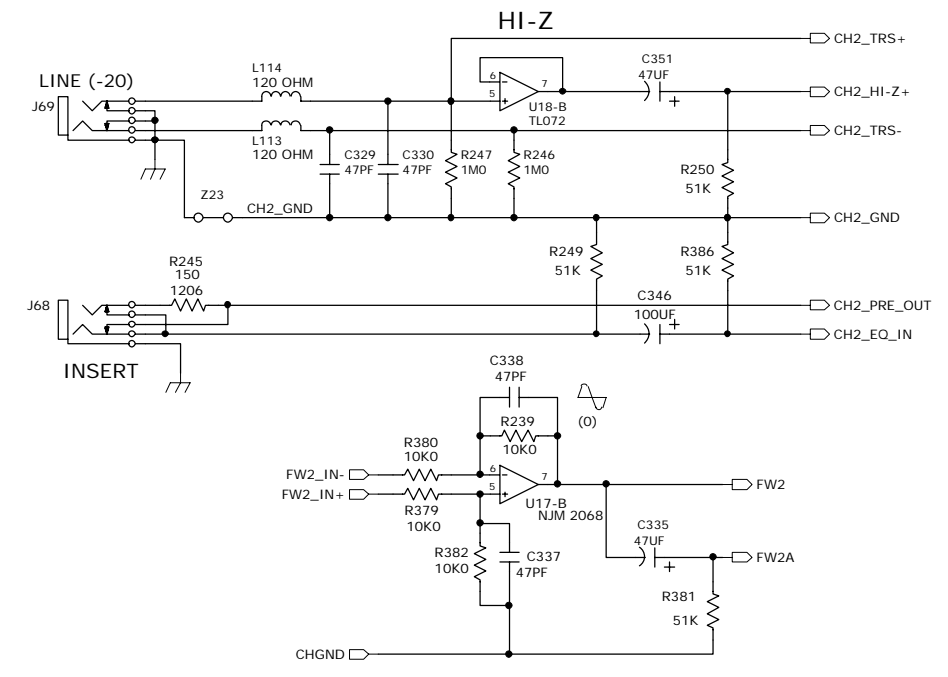
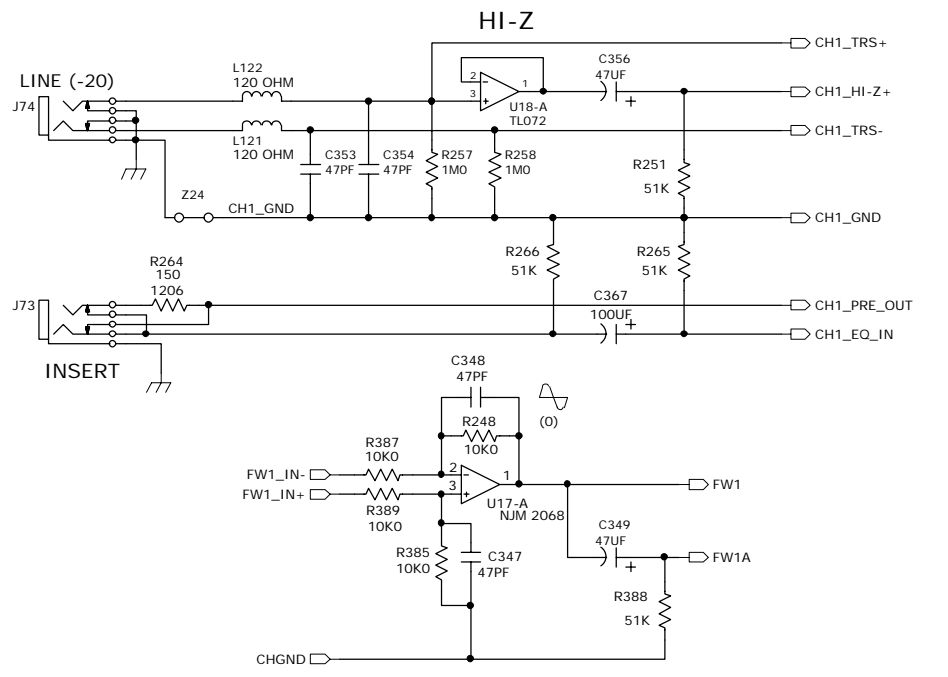
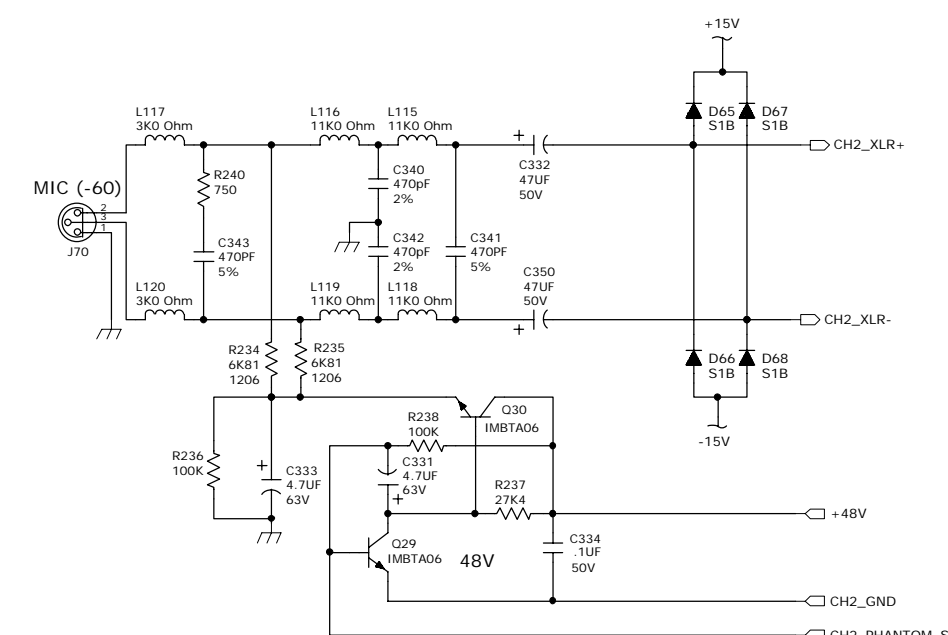
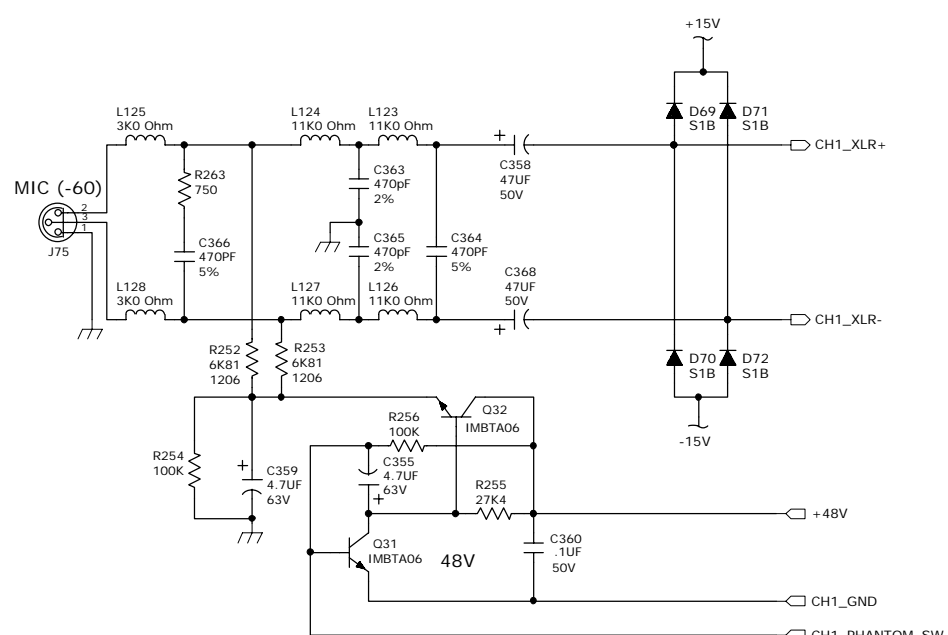
ONYX 1640i POD BOARD INTERCONNECTS

SIZE: D	SCALE: NONE	DWG. NO. 0030560-00	REV. C00
DWG FILE:		SHEET 1 OF 12	

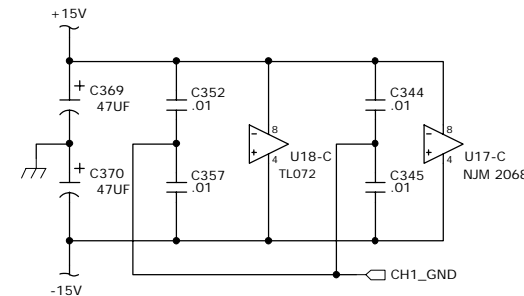
SCH1 0030560-XX SCHEMATIC PCB ASSY, 1640i POD

PCB1 0030559-02 PCB FAB ONYX1 1640i POD

© 2007 LOUD TECHNOLOGIES INC.
 ALL RIGHTS RESERVED
 THE INFORMATION CONTAINED HEREIN IS PROPRIETARY AND CONFIDENTIAL PROPERTY OF LOUD TECHNOLOGIES INC.



- CHANNEL 1 (TO EQ)**
- CH1_XLR+ → J95-1 J95-2 ← CH1_TRS+
 - CH1_XLR- → J95-3 J95-4 ← CH1_TRS-
 - CH1_GND → J95-5 J95-6 ← CH1_GND
 - CH1_HI-Z+ → J95-7 J95-8 ← CH1_PRE_OUT
 - CH1_EQ_IN → J95-9 J95-10 ← CH1_DIRECT_OUT
 - CH1_GND → J95-11 J95-12 ← FW1
 - CH2_PHANTOM_SW → J95-13

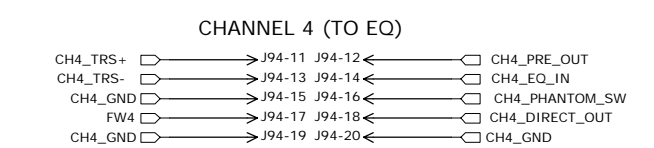
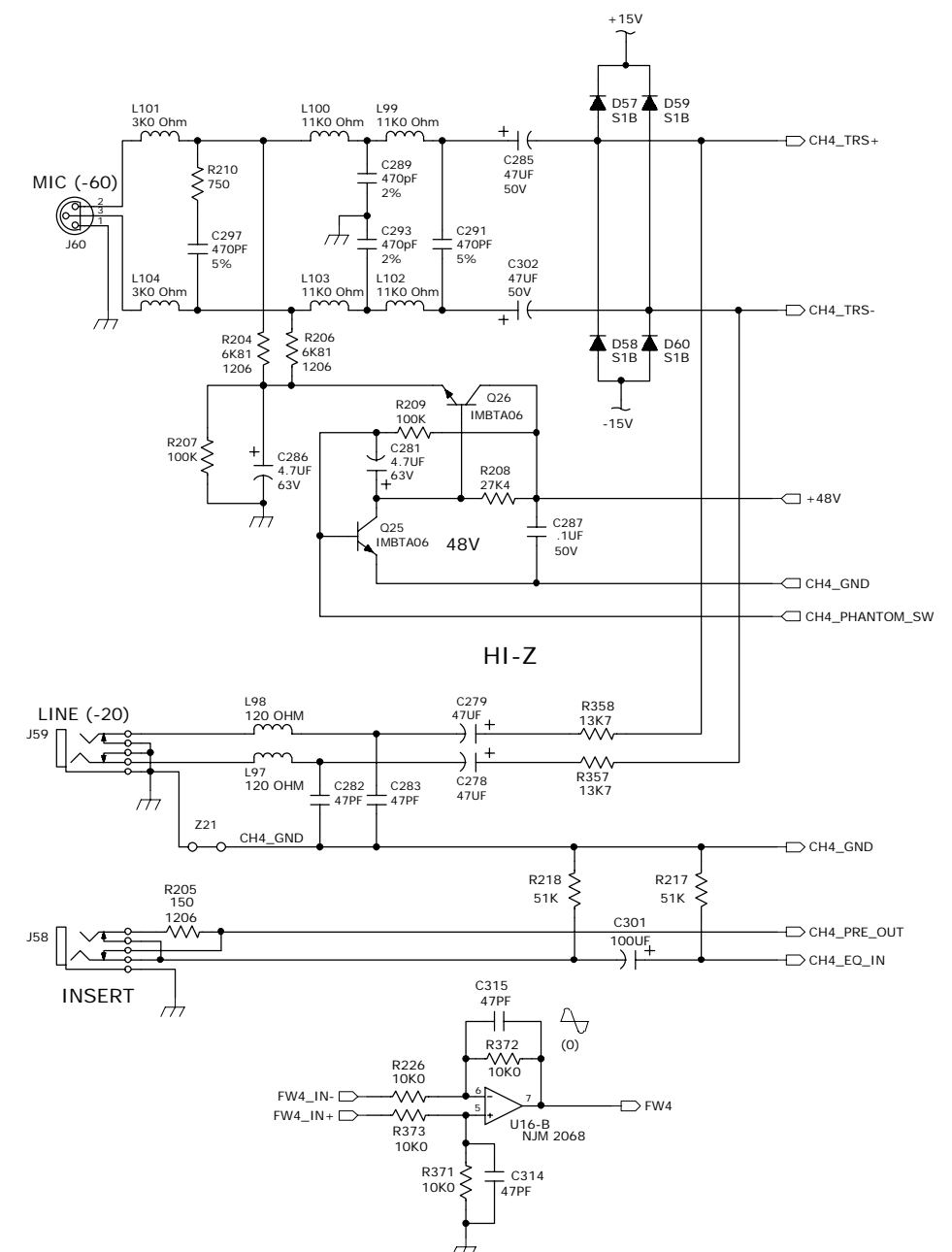
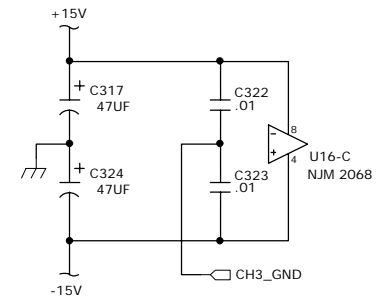
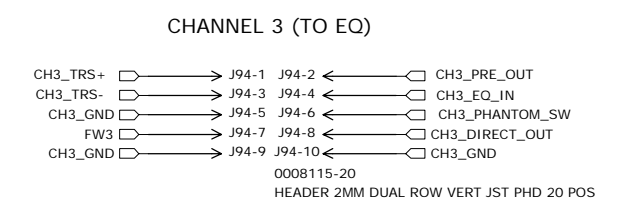
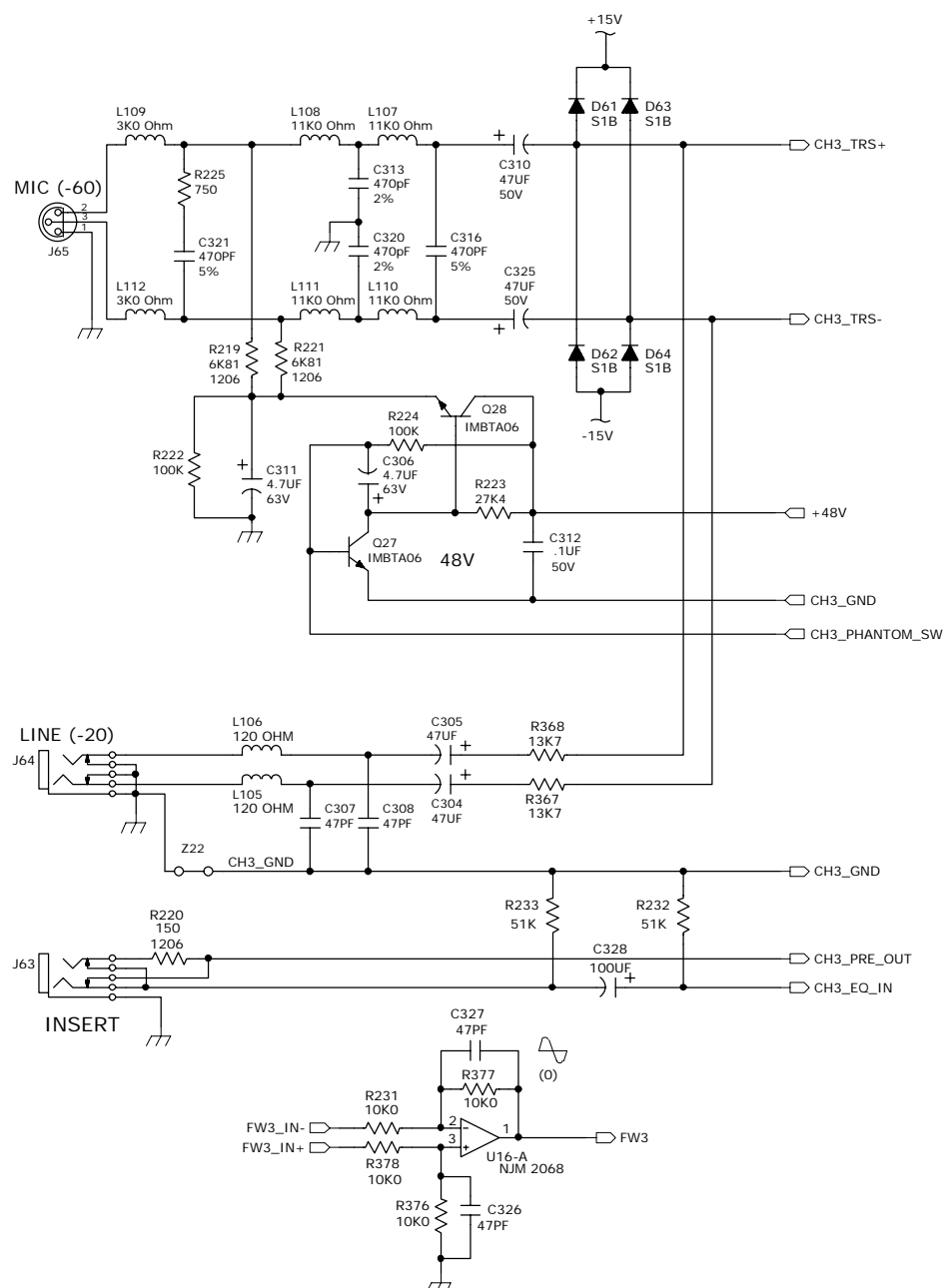


- CHANNEL 2 (TO EQ)**
- CH2_GND → J95-15 J95-16 ← CH1_PHANTOM_SW
 - CH2_EQ_IN → J95-17 J95-18 ← FW2
 - CH2_HI-Z+ → J95-19 J95-20 ← CH2_DIRECT_OUT
 - CH2_GND → J95-21 J95-22 ← CH2_GND
 - CH2_XLR- → J95-23 J95-24 ← CH2_TRS-
 - CH2_XLR+ → J95-25 J95-26 ← CH2_TRS+

LOUD Technologies Inc.
16220 WOOD-RED RD NE WOODINVILLE, WA 98072

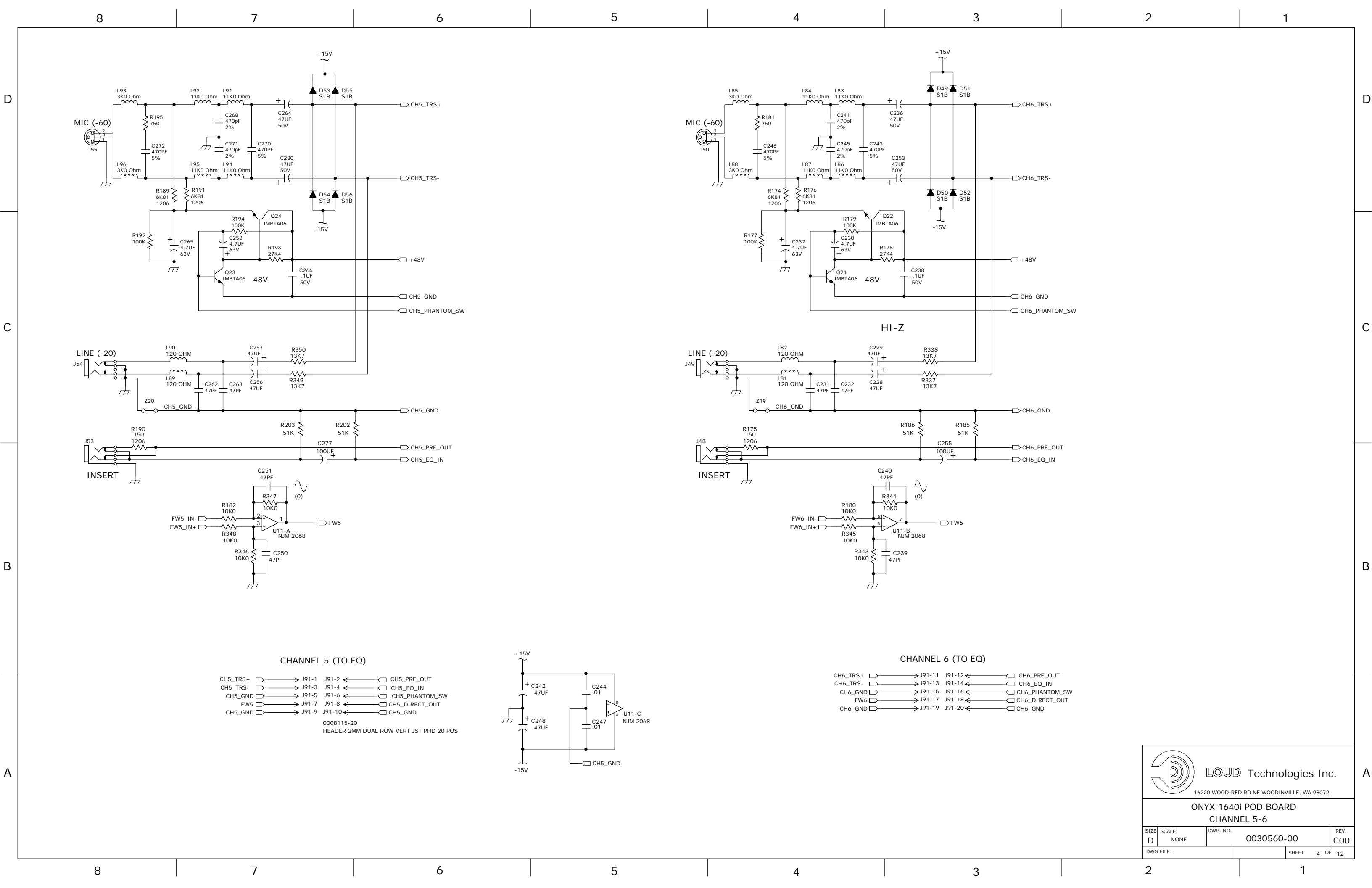
ONYX 1640i POD BOARD
CHANNEL 1-2

SIZE: D	SCALE: NONE	DWG. NO.: 0030560-00	REV. C00
DWG FILE:		SHEET 2 OF 12	



ONYX 1640i POD BOARD
CHANNEL 3-4

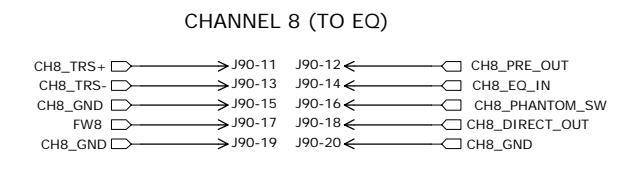
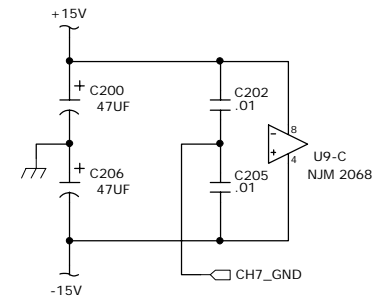
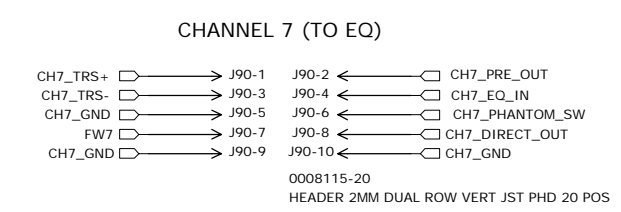
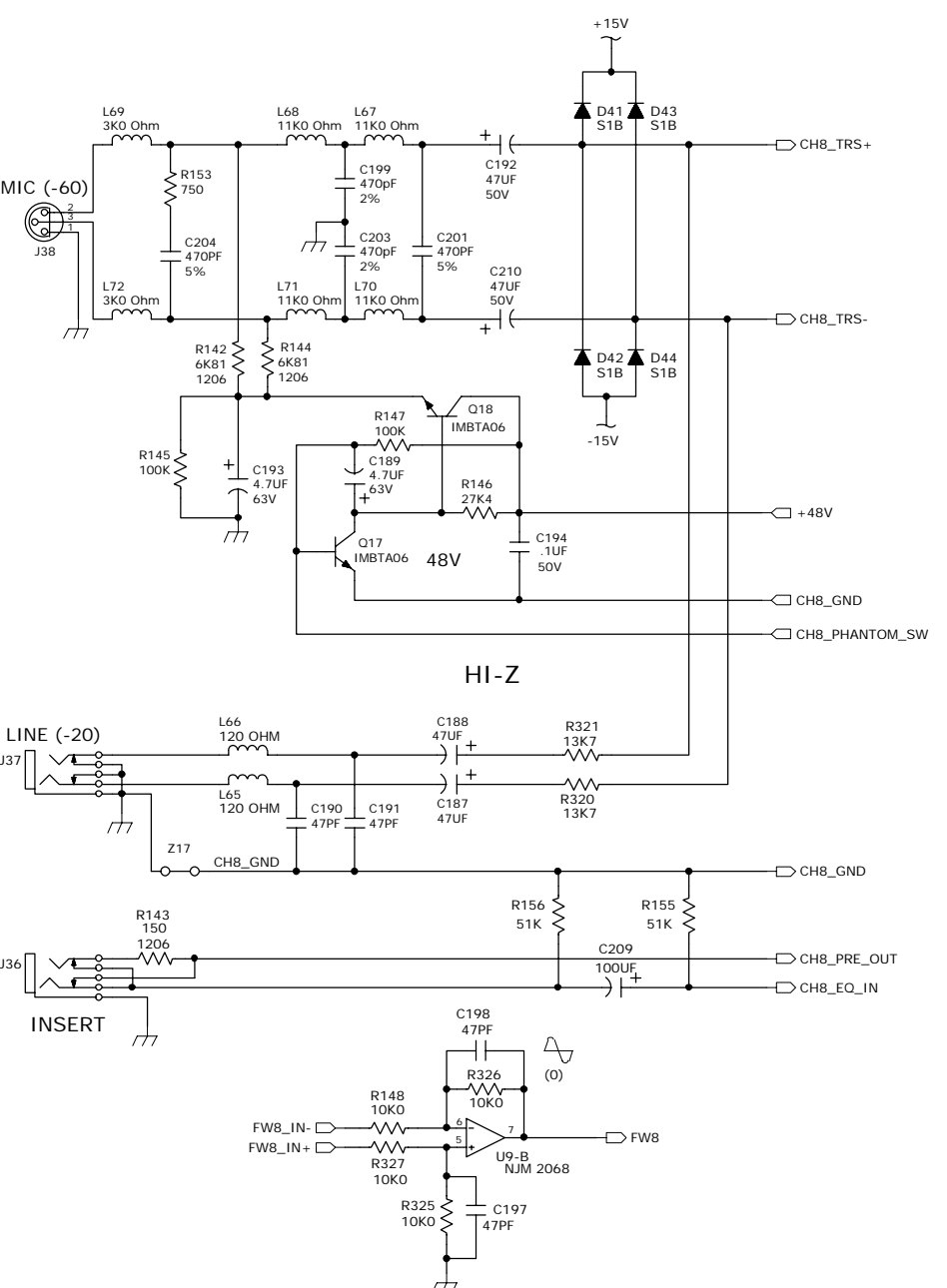
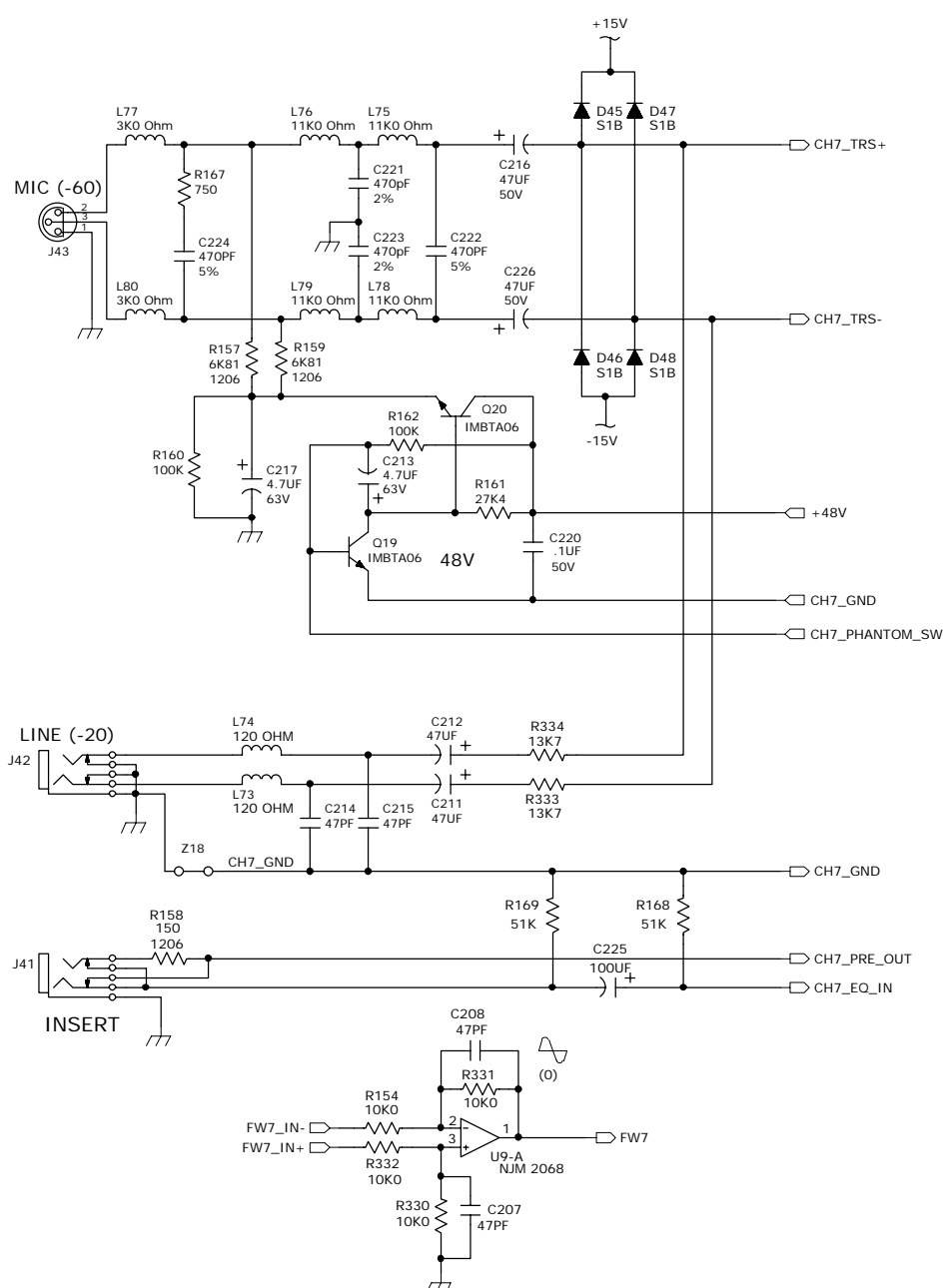
SIZE: D	SCALE: NONE	DWG. NO.: 0030560-00	REV. C00
DWG FILE:		SHEET 3 OF 12	



LOUD Technologies Inc.
 16220 WOOD-RED RD NE WOODINVILLE, WA 98072

ONYX 1640i POD BOARD
CHANNEL 5-6

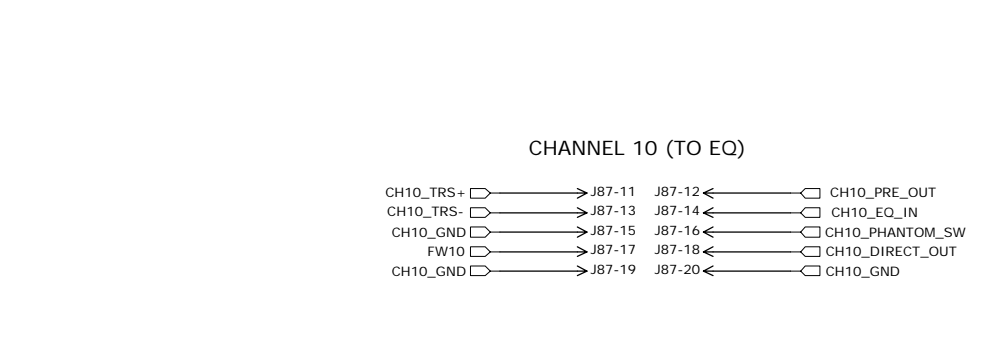
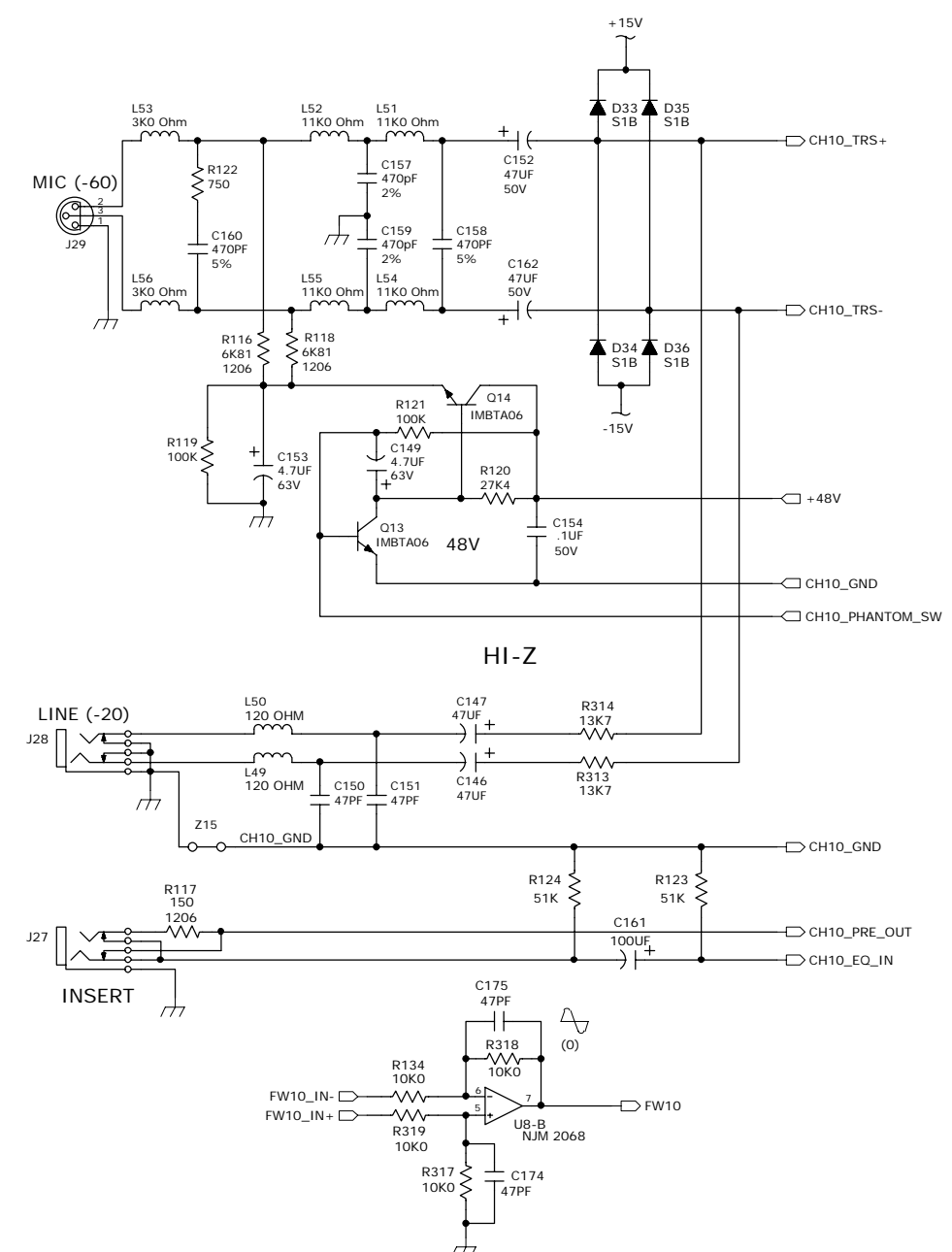
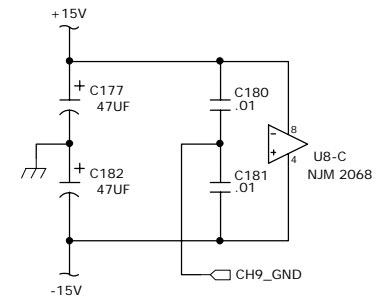
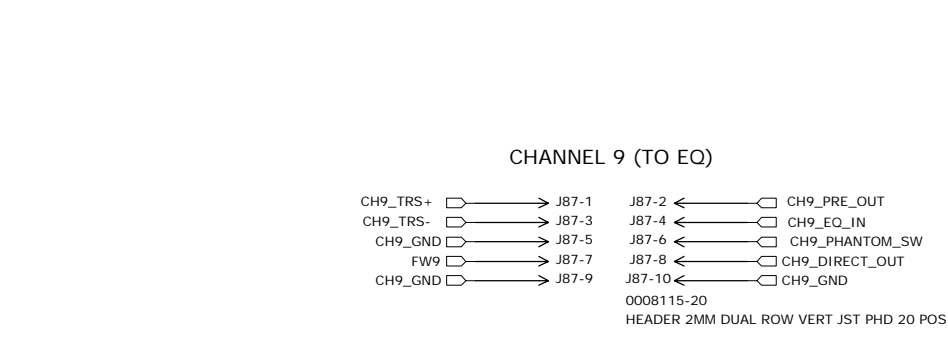
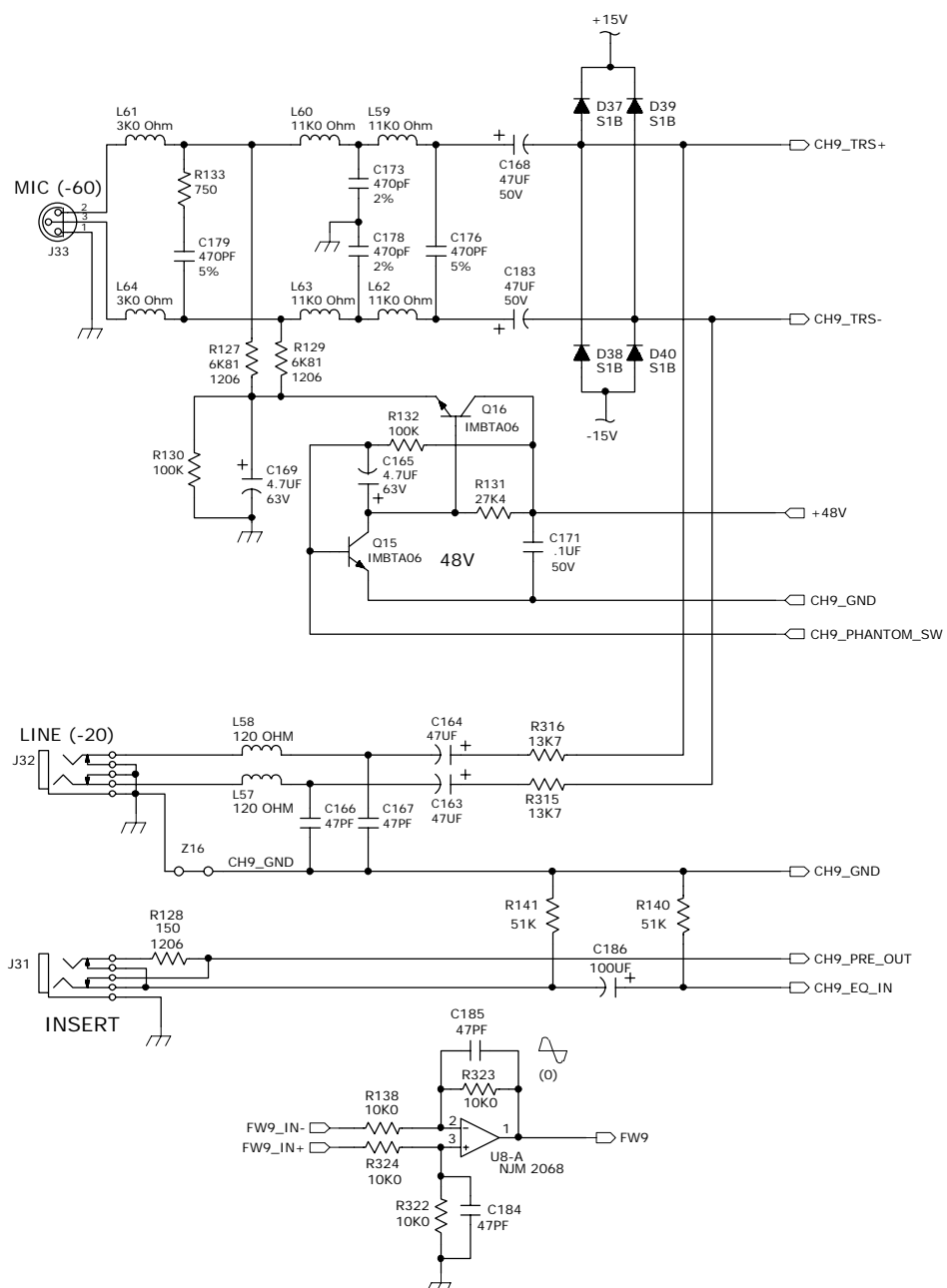
SIZE: D	SCALE: NONE	DWG. NO.: 0030560-00	REV. C00
DWG. FILE:		SHEET 4 OF 12	



LOUD Technologies Inc.
16220 WOOD-RED RD NE WOODINVILLE, WA 98072

**ONYX 1640i POD BOARD
CHANNEL 7-8**

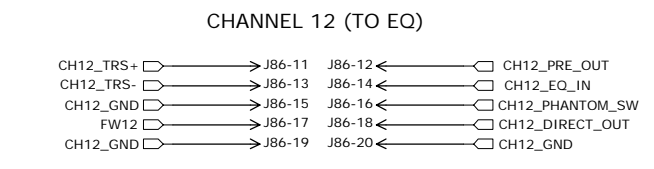
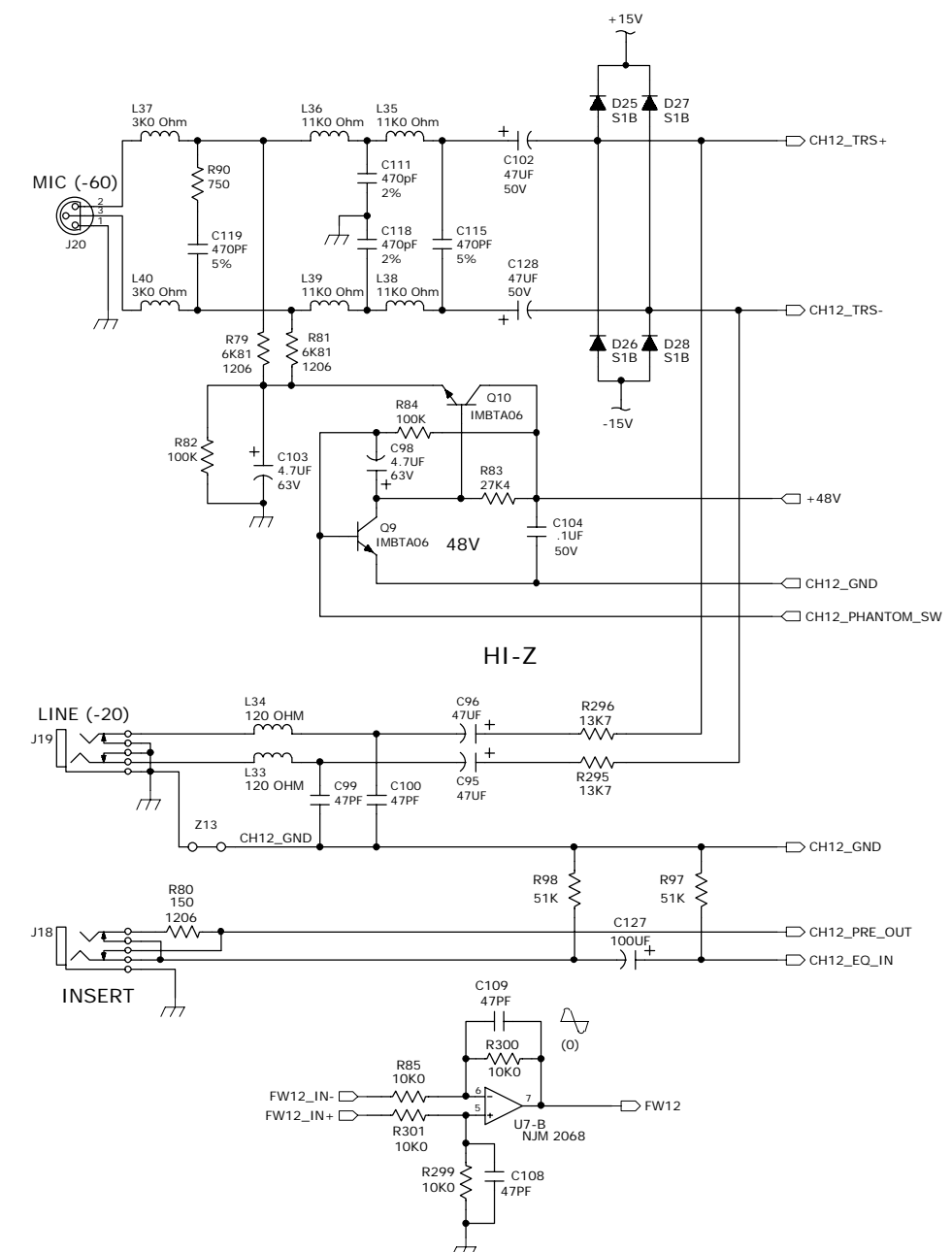
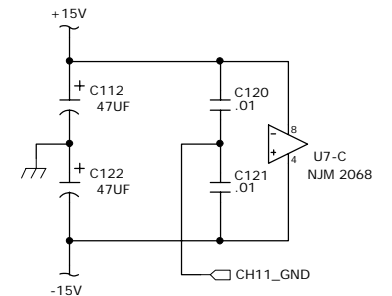
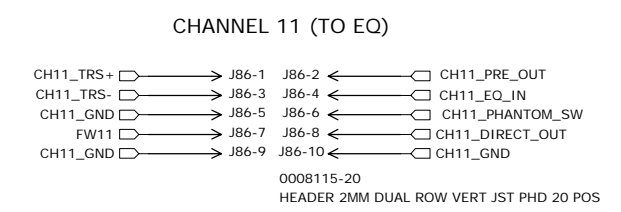
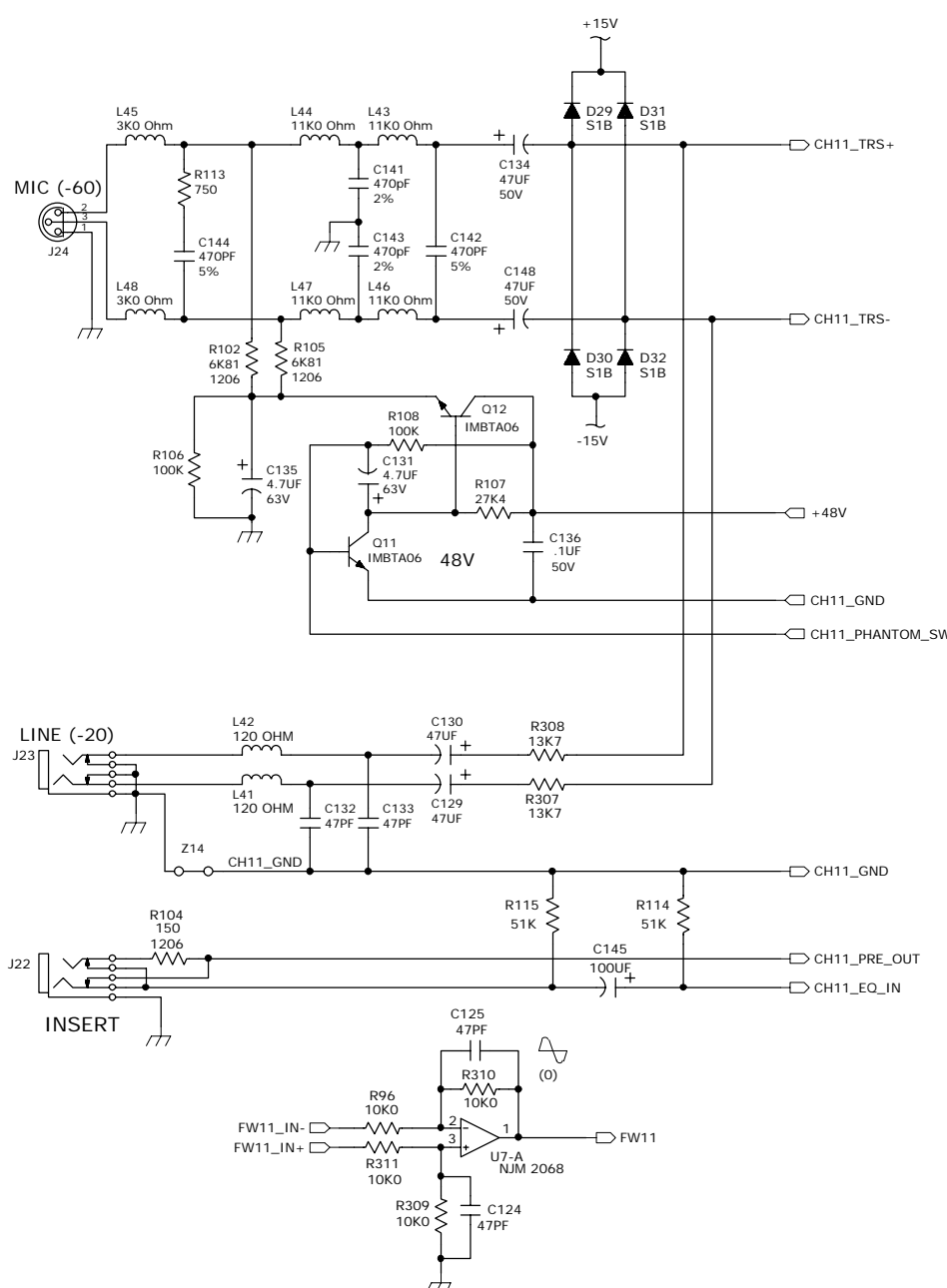
SIZE: D	SCALE: NONE	DWG. NO.: 0030560-00	REV. C00
DWG. FILE:		SHEET 5 OF 12	



LOUD Technologies Inc.
16220 WOOD-RED RD NE WOODINVILLE, WA 98072

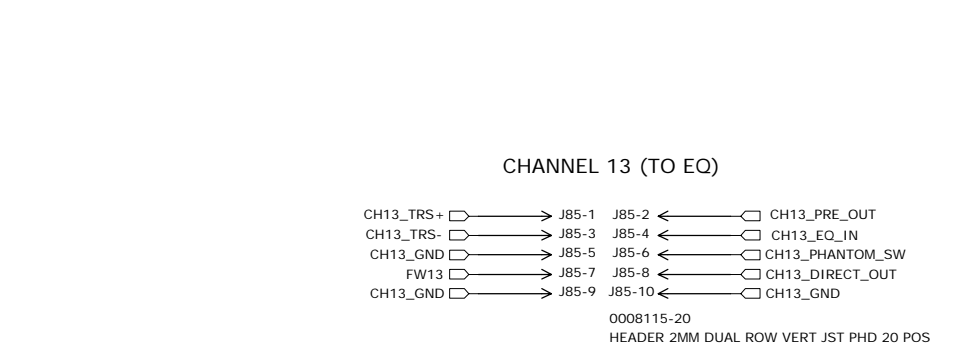
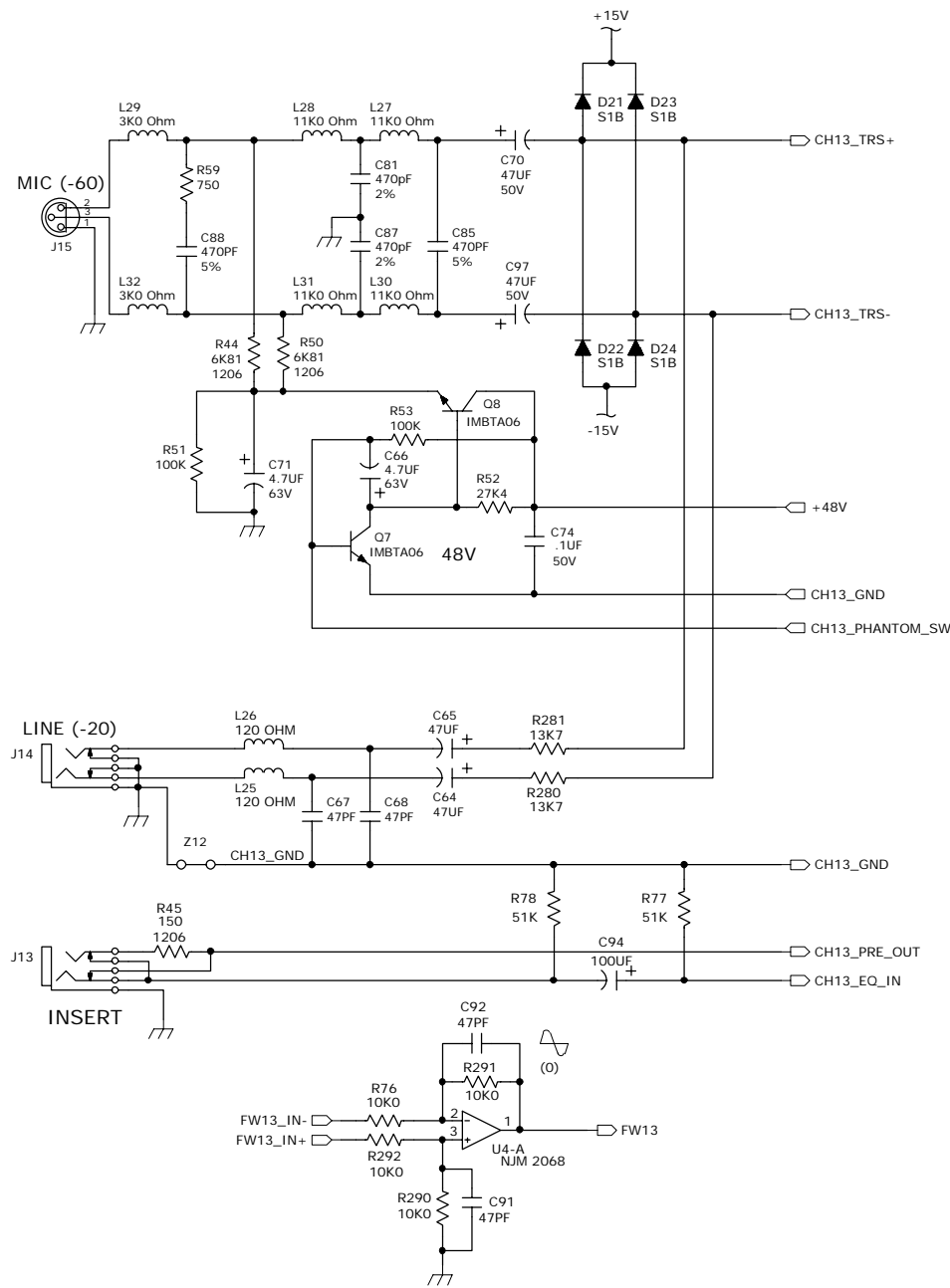
ONYX 1640i POD BOARD
CHANNEL 9-10

SIZE	SCALE	DWG. NO.	REV.
D	NONE	0030560-00	C00
DWG FILE:		SHEET 6 OF 12	



ONYX 1640i POD BOARD
CHANNEL 11-12

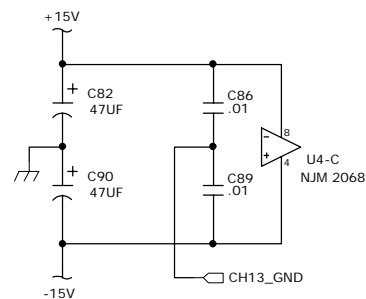
SIZE	SCALE	DWG. NO.	REV.
D	NONE	0030560-00	C00
DWG FILE:		SHEET 7 OF 12	



CHANNEL 13 (TO EQ)

CH13_TRS+ → J85-1	J85-2 ← CH13_PRE_OUT
CH13_TRS- → J85-3	J85-4 ← CH13_EQ_IN
CH13_GND → J85-5	J85-6 ← CH13_PHANTOM_SW
FW13 → J85-7	J85-8 ← CH13_DIRECT_OUT
CH13_GND → J85-9	J85-10 ← CH13_GND

0008115-20
HEADER 2MM DUAL ROW VERT JST PHD 20 POS



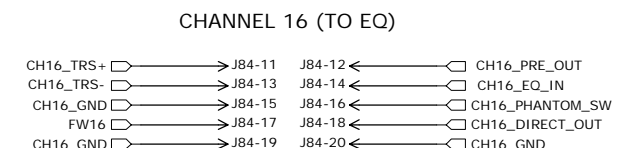
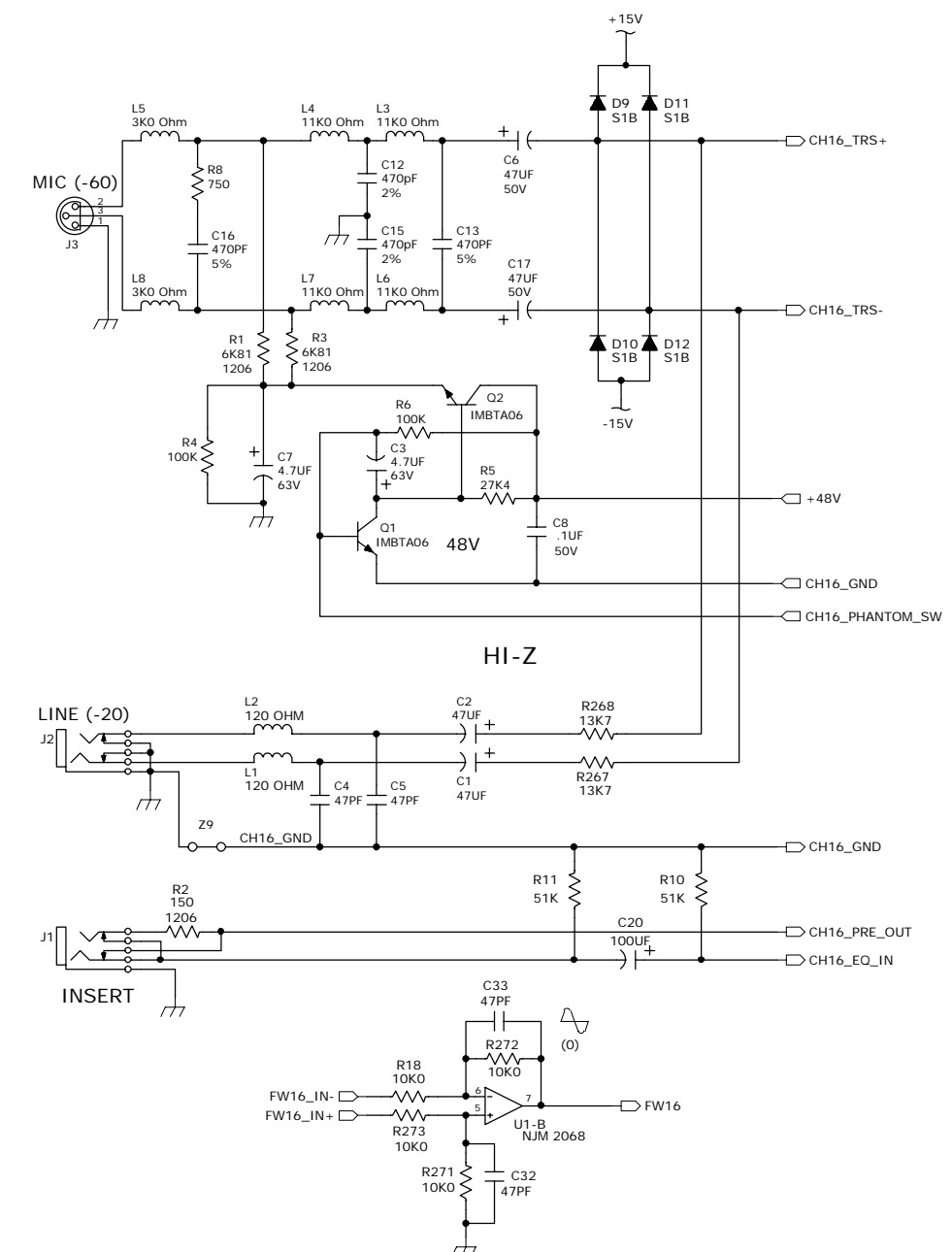
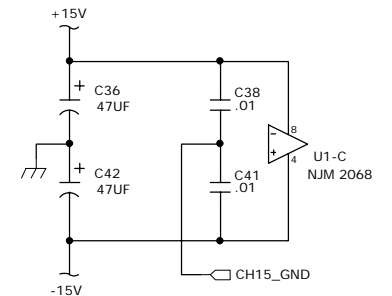
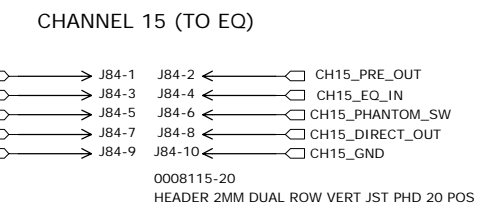
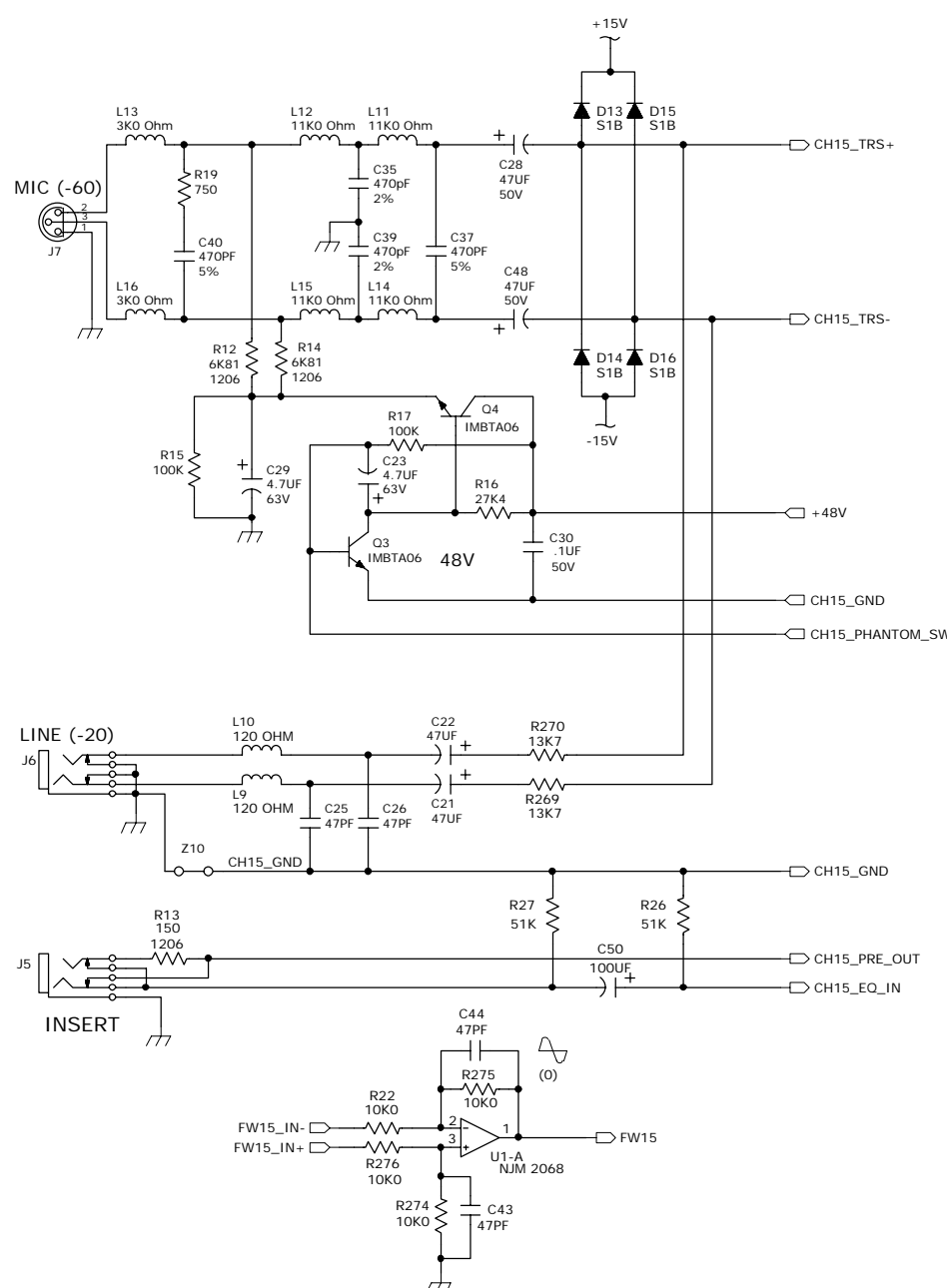
CHANNEL 14 (TO EQ)

CH14_TRS+ → J85-11	J85-12 ← CH14_PRE_OUT
CH14_TRS- → J85-13	J85-14 ← CH14_EQ_IN
CH14_GND → J85-15	J85-16 ← CH14_PHANTOM_SW
FW14 → J85-17	J85-18 ← CH14_DIRECT_OUT
CH14_GND → J85-19	J85-20 ← CH14_GND

LOUD Technologies Inc.
16220 WOOD-RED RD NE WOODINVILLE, WA 98072

ONYX 1640i POD BOARD
CHANNEL 13-14

SIZE: D	SCALE: NONE	DWG. NO.: 0030560-00	REV. C00
DWG. FILE:		SHEET 8 OF 12	



LOUD Technologies Inc.
16220 WOOD-RED RD NE WOODINVILLE, WA 98072

ONYX 1640i POD BOARD
CHANNEL 15-16

SIZE	SCALE	DWG. NO.	REV.
D	NONE	0030560-00	C00
DWG FILE:		SHEET 9 OF 12	

D

D

C

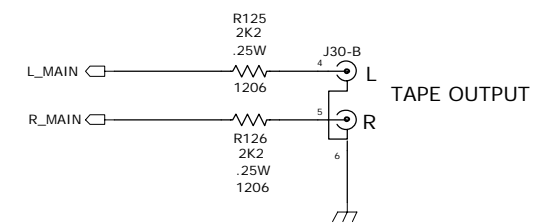
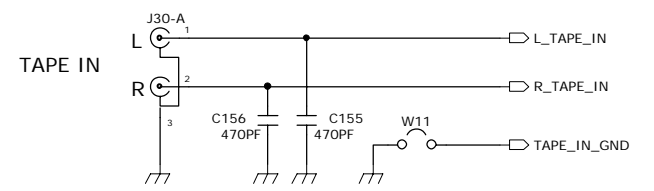
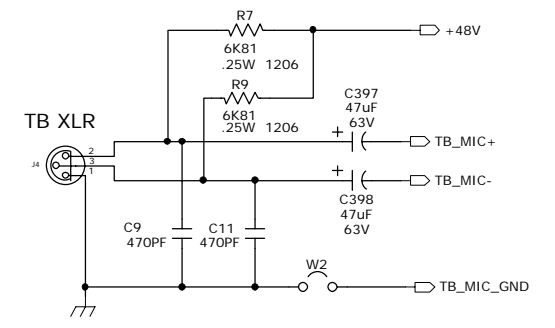
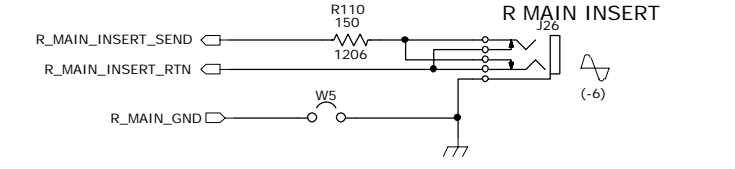
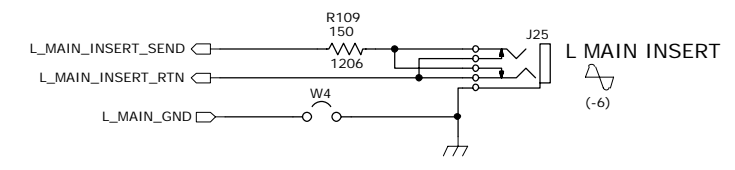
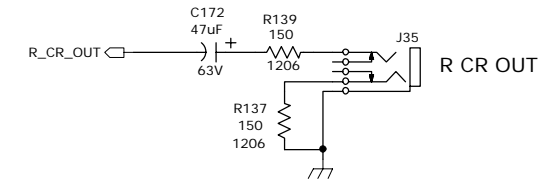
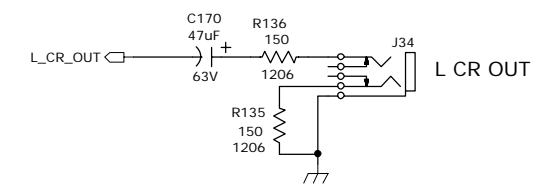
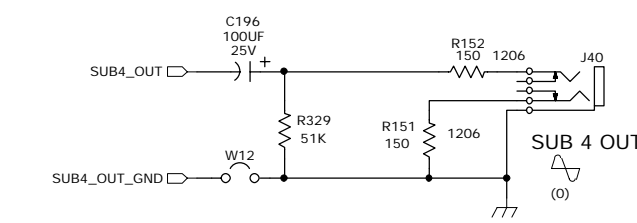
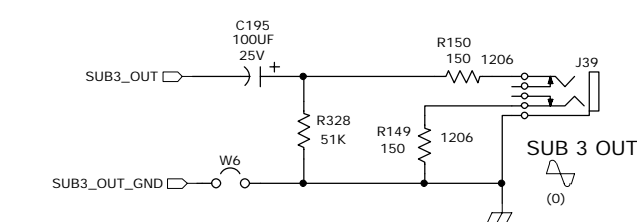
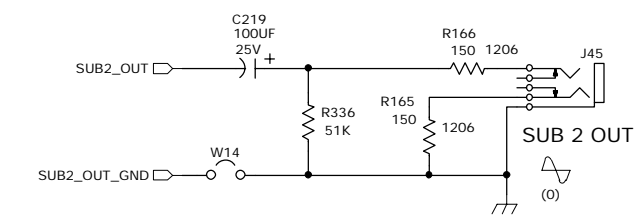
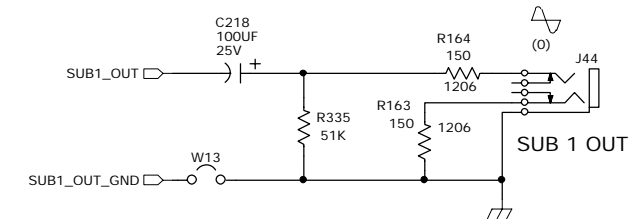
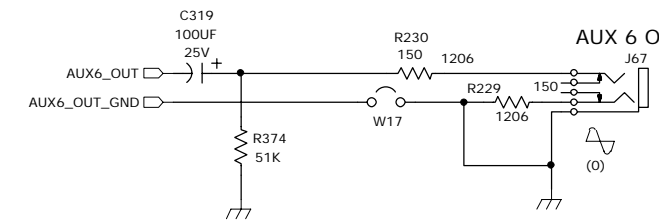
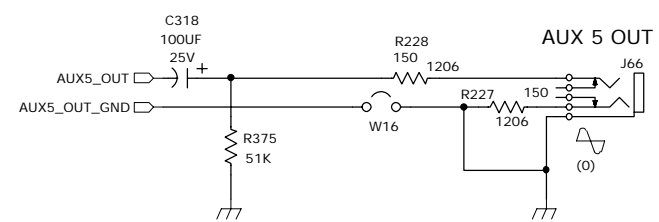
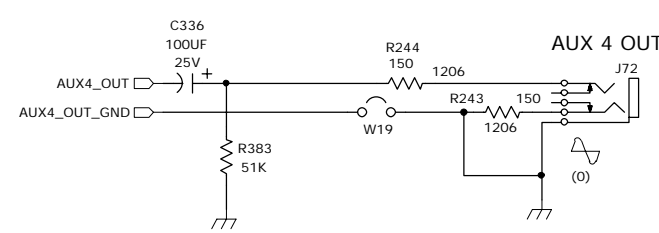
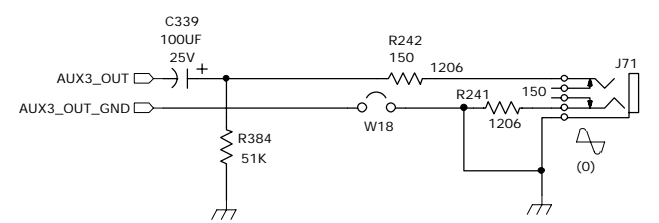
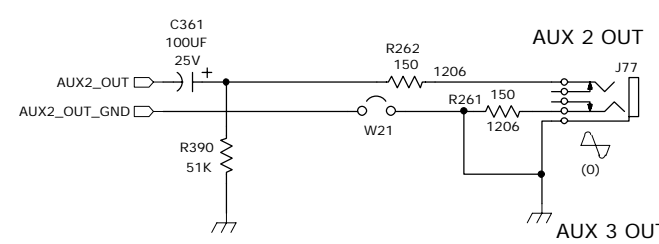
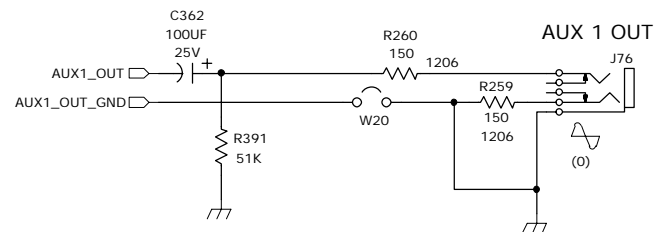
C

B

B

A

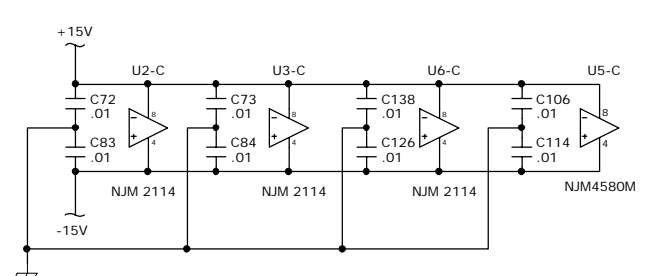
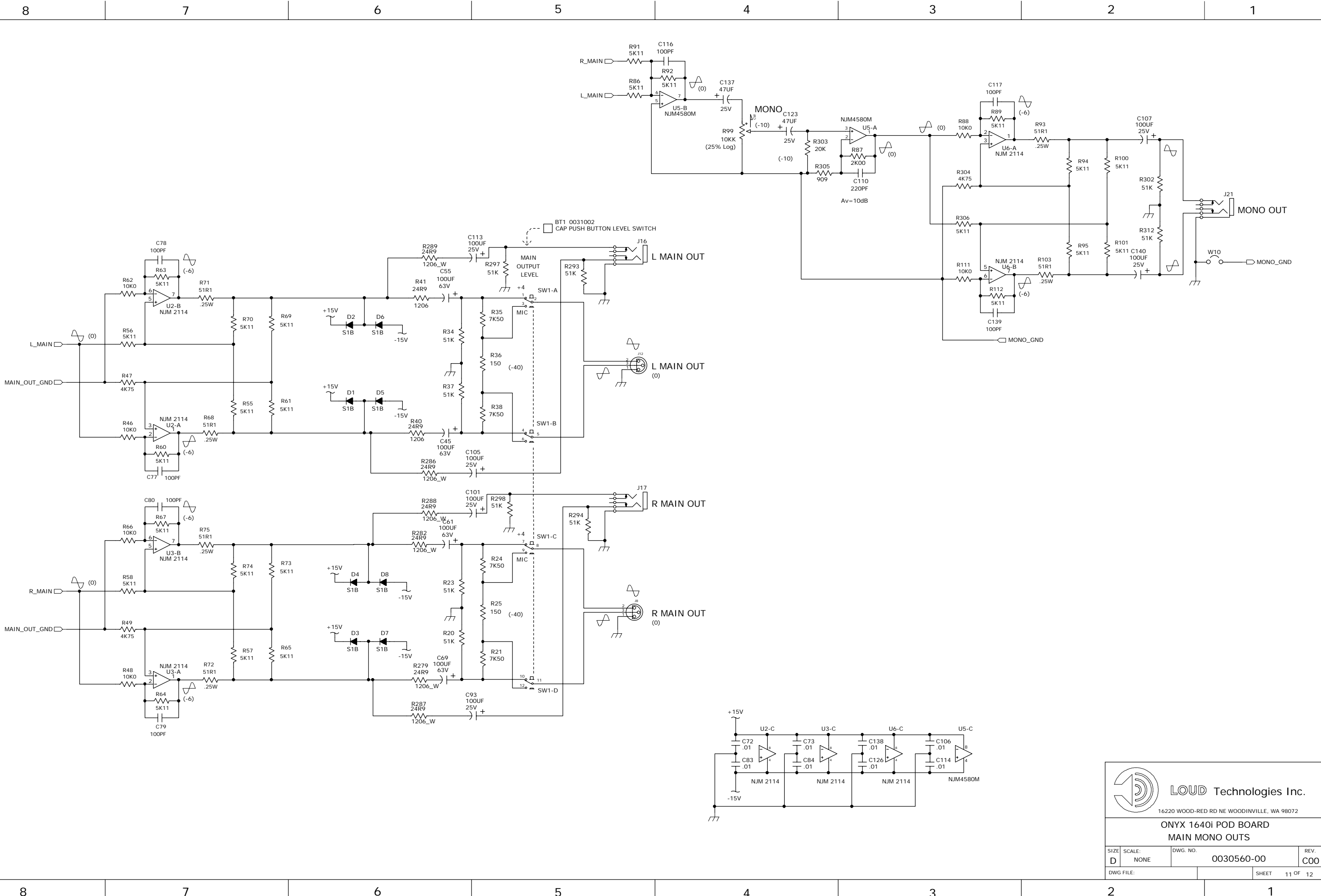
A




LOUD Technologies Inc.
16220 WOOD-RED RD NE WOODINVILLE, WA 98072

**ONYX 1640i POD BOARD
JACKFIELD**

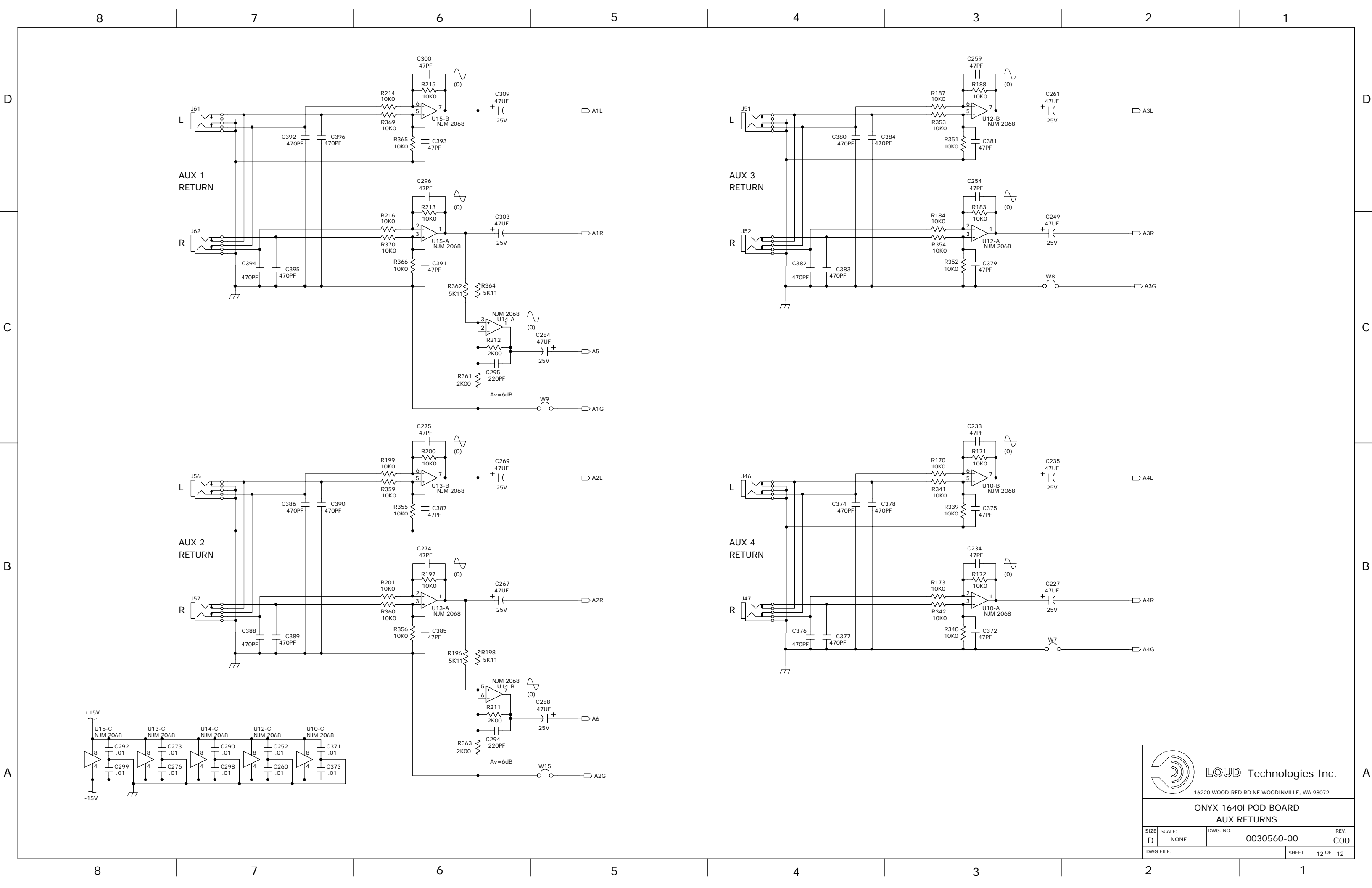
SIZE D	SCALE NONE	DWG. NO. 0030560-00	REV. C00
DWG FILE:		SHEET 10 OF 12	





LOUD Technologies Inc.
 16220 WOOD-RED RD NE WOODINVILLE, WA 98072

ONYX 1640i POD BOARD
MAIN MONO OUTS

SIZE: D	SCALE: NONE	DWG. NO.: 0030560-00	REV. C00
DWG FILE:		SHEET 11 OF 12	





LOUD Technologies Inc.
16220 WOOD-RED RD NE WOODINVILLE, WA 98072

**ONYX 1640i POD BOARD
AUX RETURNS**

SIZE D	SCALE: NONE	DWG. NO. 0030560-00	REV. C00
DWG FILE:		SHEET 12 OF 12	