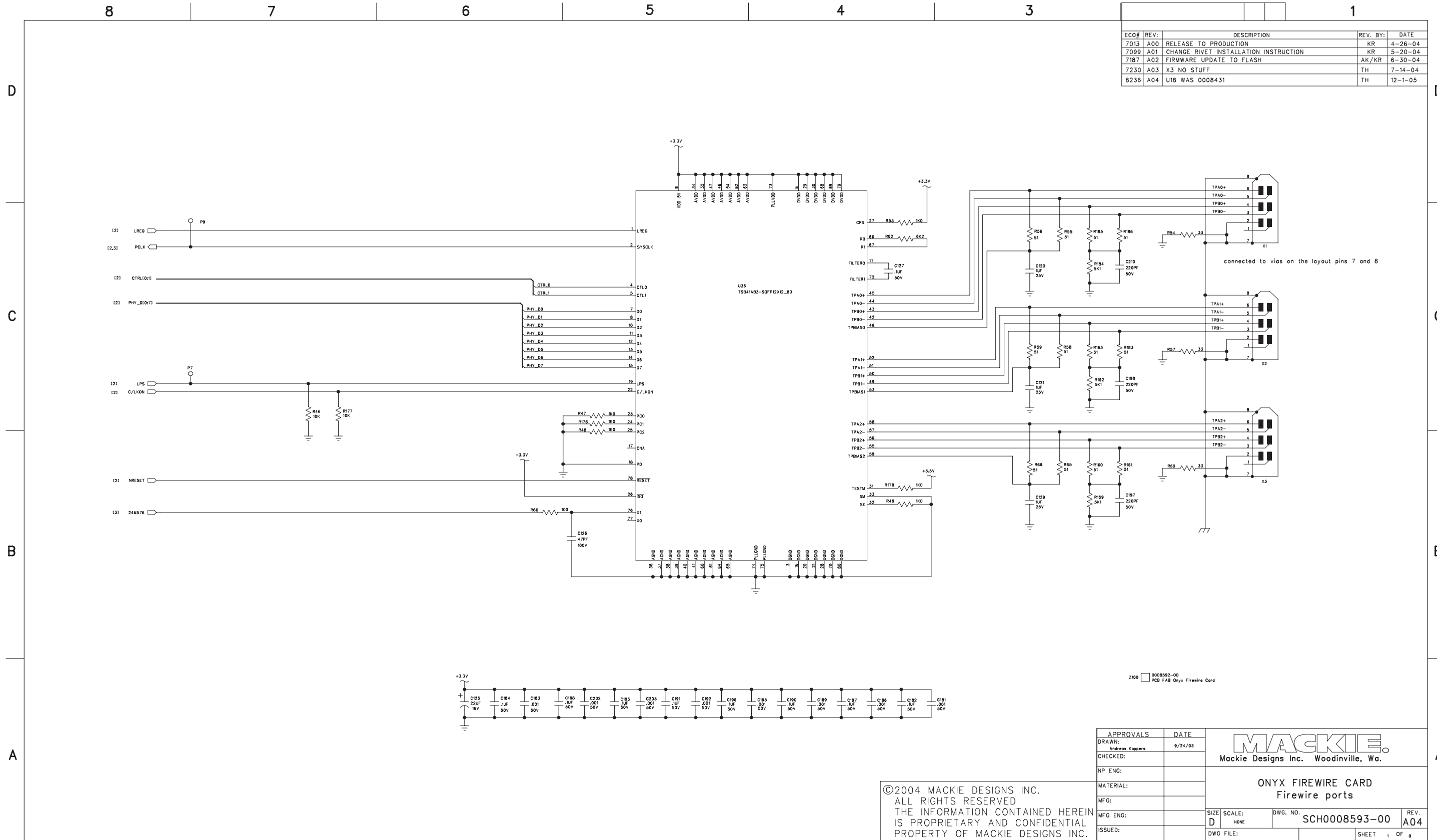


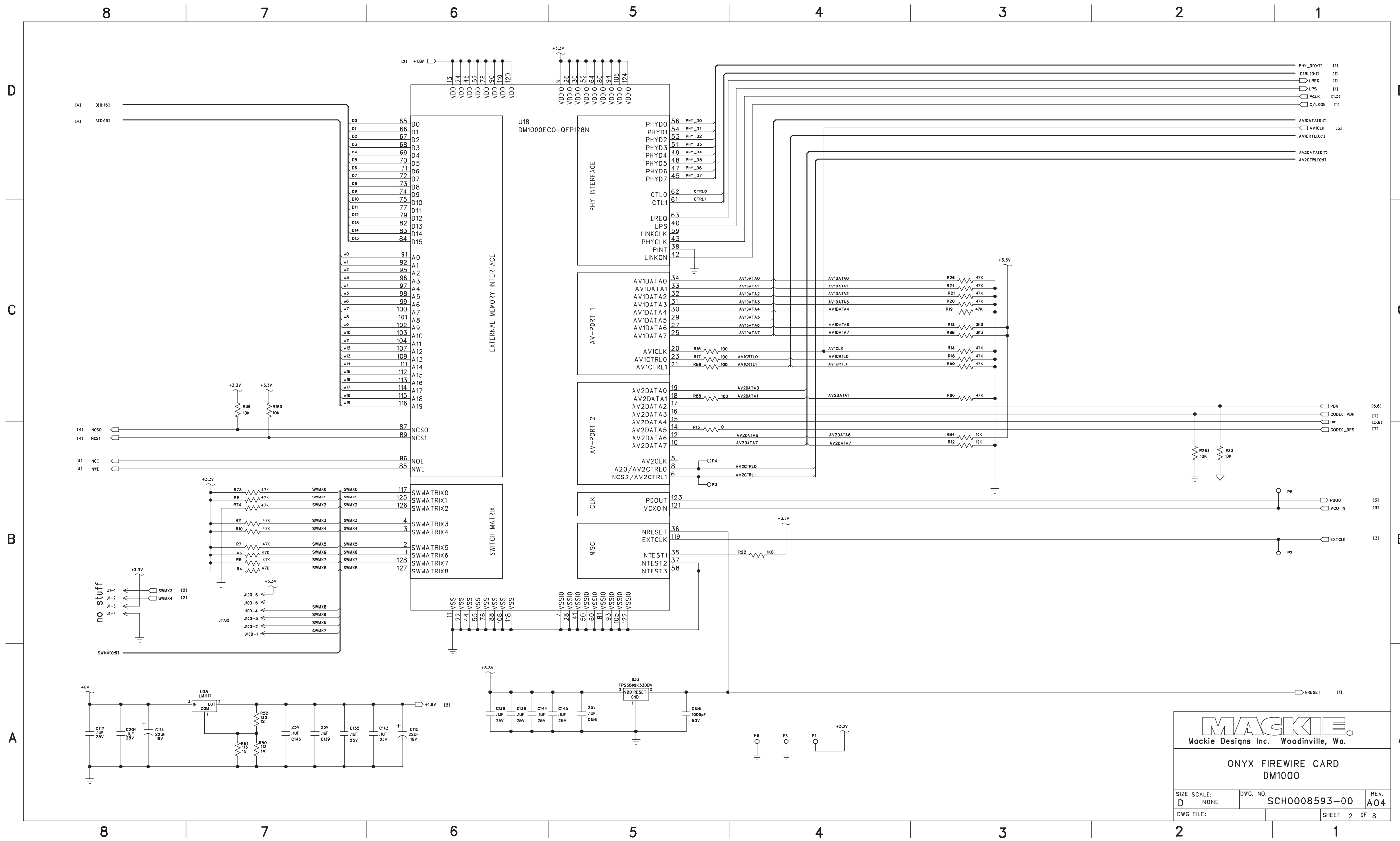
ECO#	REV:	DESCRIPTION	REV. BY:	DATE
7013	A00	RELEASE TO PRODUCTION	KR	4-26-04
7099	A01	CHANGE RIVET INSTALLATION INSTRUCTION	KR	5-20-04
7187	A02	FIRMWARE UPDATE TO FLASH	AK/KR	6-30-04
7230	A03	X3 NO STUFF	TH	7-14-04
8236	A04	U18 WAS 0008431	TH	12-1-05



Z100 0008592-00  
PCB FAB Onyx Firewire Card

APPROVALS	DATE	 Mackie Designs Inc. Woodinville, Wa.
DRAWN: Andreas Koppers	9/24/03	
CHECKED:		ONYX FIREWIRE CARD Firewire ports
NP ENG:		
MATERIAL:		SIZE: D SCALE: NONE DWG. NO. SCH0008593-00 REV. A04
MFG:		
MFG ENG:		DWG FILE: SHEET 1 OF 8
ISSUED:		

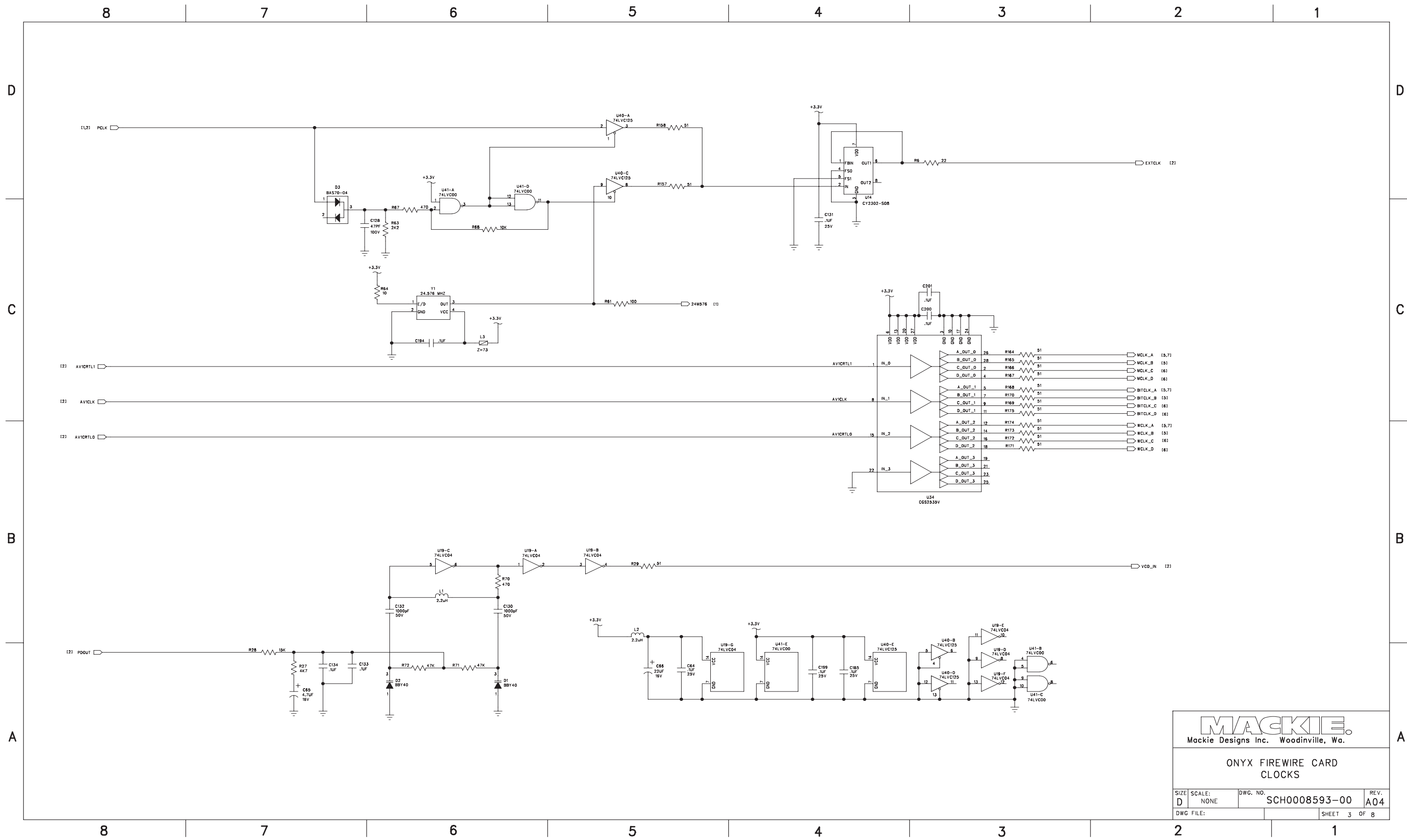
©2004 MACKIE DESIGNS INC.  
ALL RIGHTS RESERVED  
THE INFORMATION CONTAINED HEREIN  
IS PROPRIETARY AND CONFIDENTIAL  
PROPERTY OF MACKIE DESIGNS INC.



**MACKIE**  
Mackie Designs Inc. Woodinville, Wa.

**ONYX FIREWIRE CARD  
DM1000**

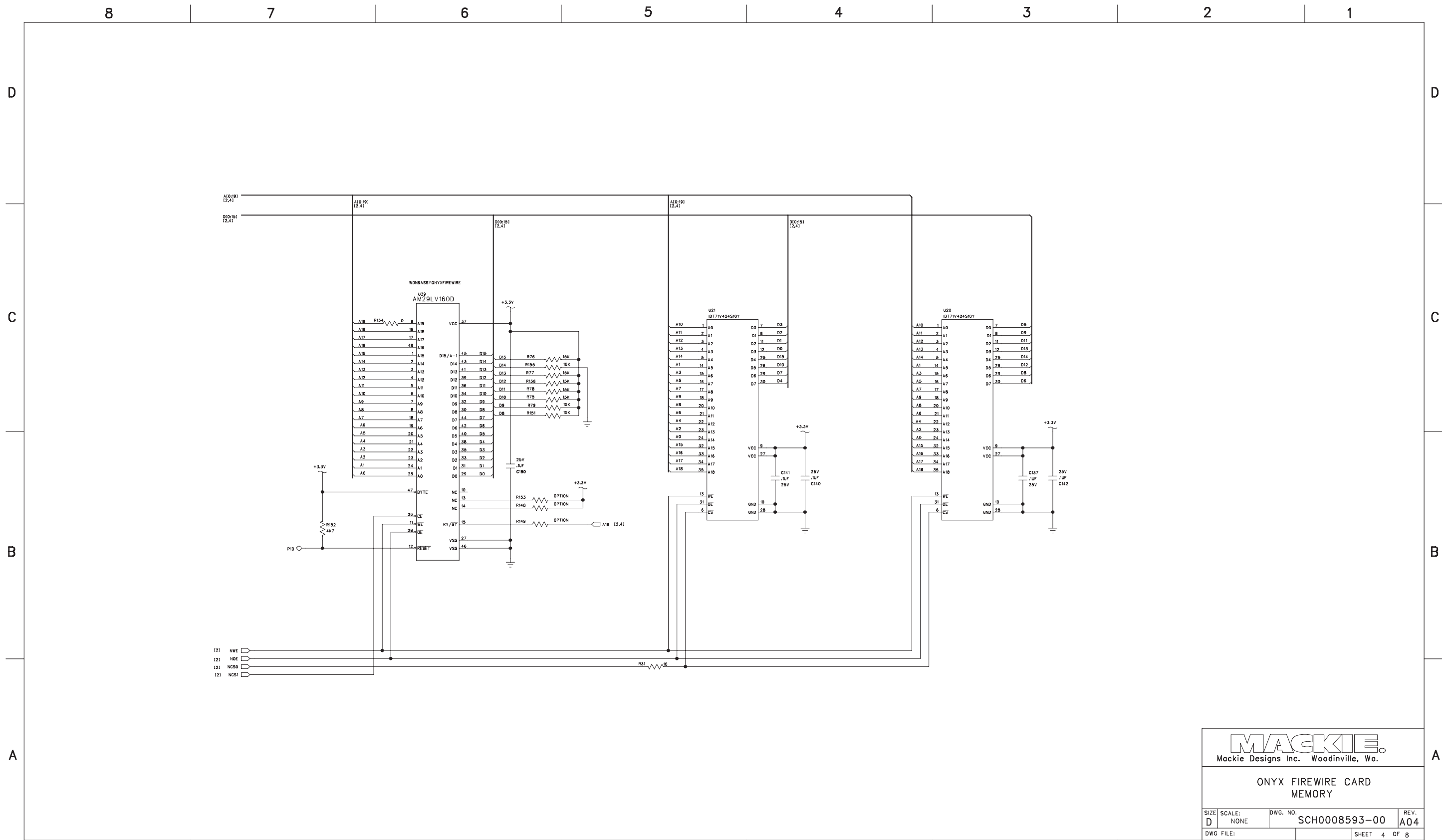
SIZE D	SCALE: NONE	DWG. NO. SCH0008593-00	REV. A04
DWG FILE:		SHEET 2 OF 8	



**MACKIE.**  
Mackie Designs Inc. Woodinville, Wa.

**ONYX FIREWIRE CARD  
CLOCKS**

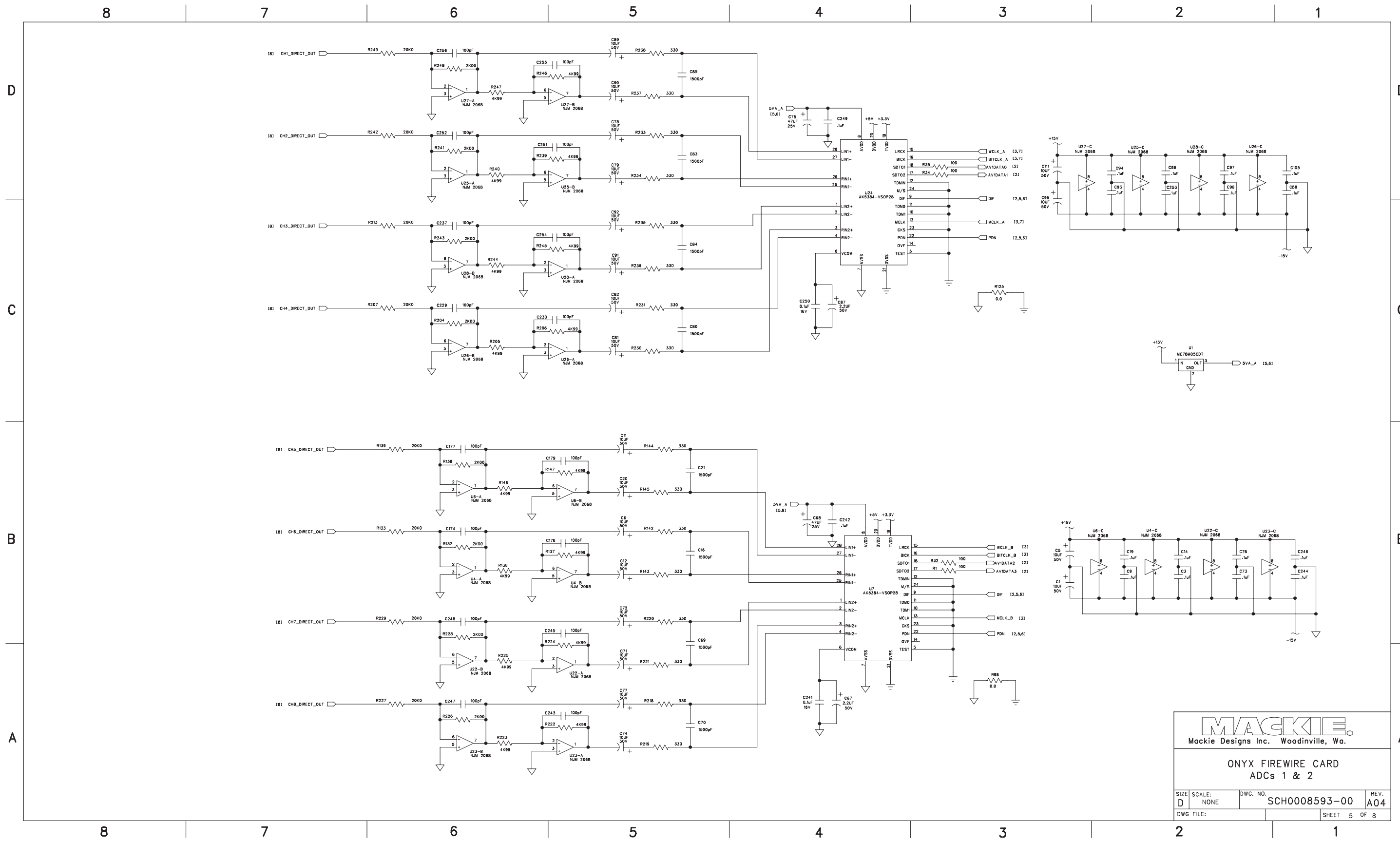
SIZE D	SCALE: NONE	DWG. NO. SCH0008593-00	REV. A04
DWG FILE:		SHEET 3 OF 8	



**MACKIE.**  
Mackie Designs Inc. Woodinville, Wa.

**ONYX FIREWIRE CARD  
MEMORY**

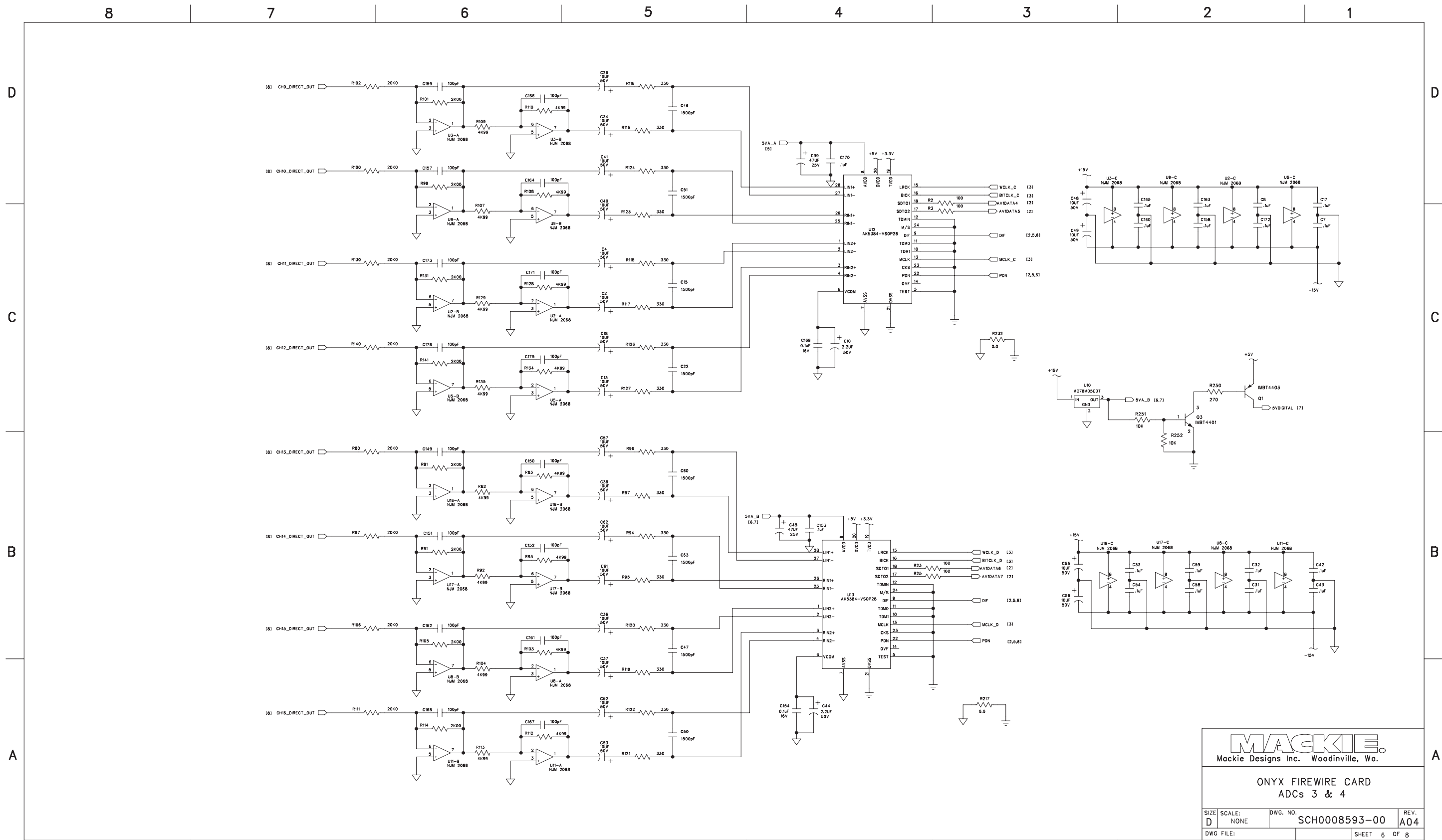
SIZE	SCALE:	DWG. NO.	REV.
D	NONE	SCH0008593-00	A04
DWG FILE:			SHEET 4 OF 8



**MACKIE**  
Mackie Designs Inc. Woodinville, Wa.

ONYX FIREWIRE CARD  
ADCs 1 & 2

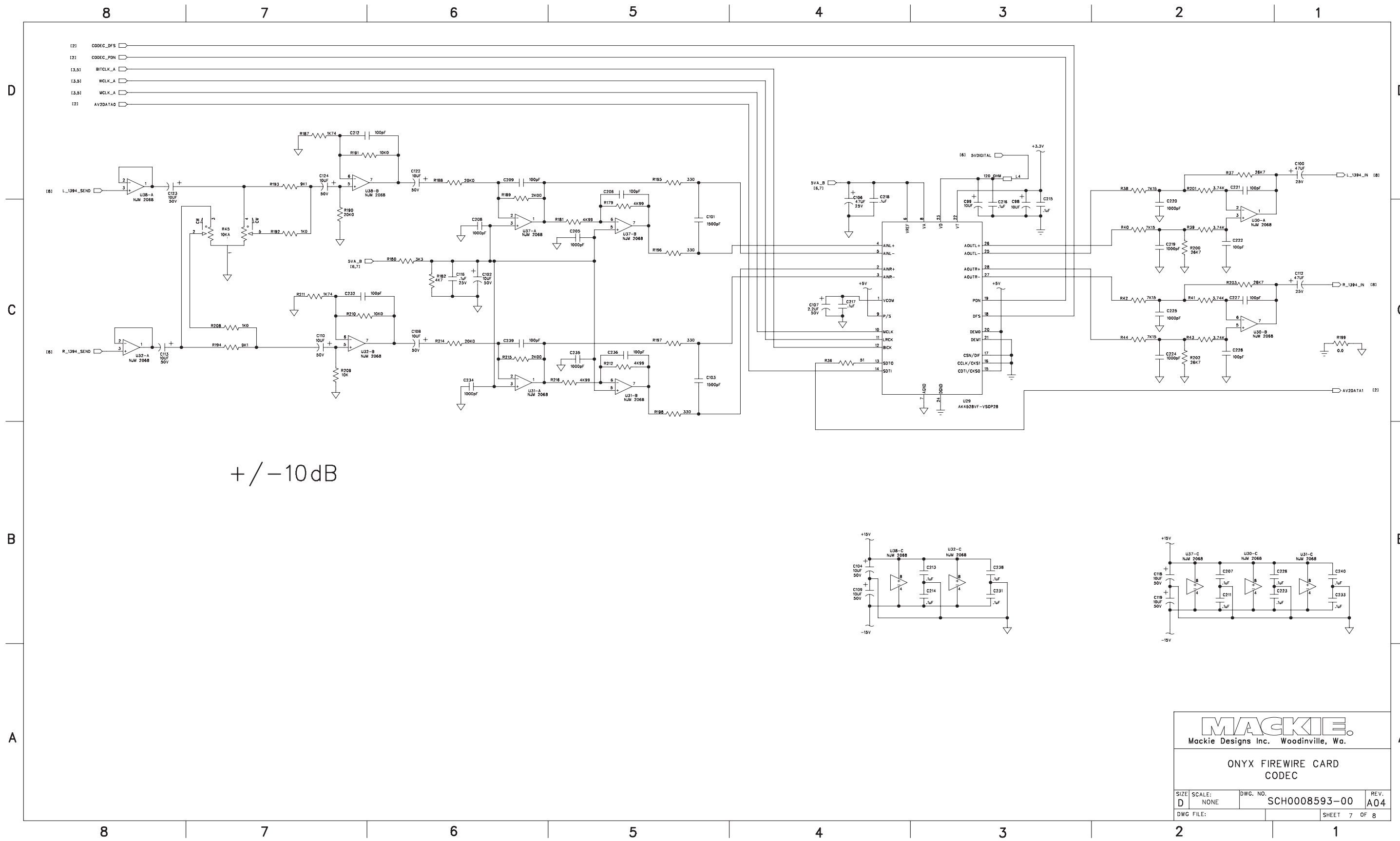
SIZE	SCALE:	DWG. NO.	REV.
D	NONE	SCH0008593-00	A04
DWG FILE:		SHEET 5 OF 8	



**MACKIE**  
Mackie Designs Inc. Woodinville, Wa.

ONYX FIREWIRE CARD  
ADCs 3 & 4

SIZE: D	SCALE: NONE	DWG. NO. SCH0008593-00	REV. A04
DWG FILE:		SHEET 6 OF 8	

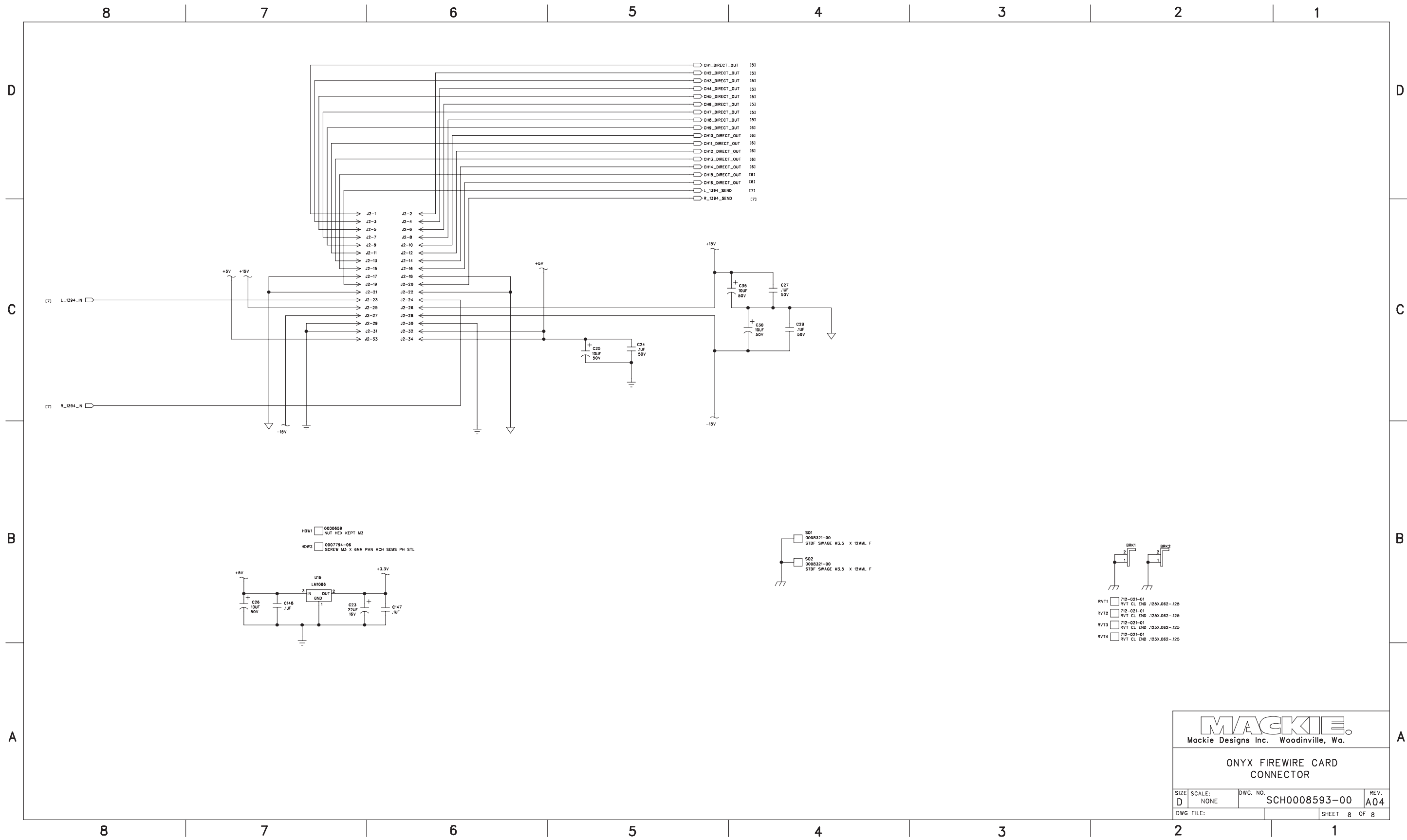


+/-10dB

**MACKIE.**  
Mackie Designs Inc. Woodinville, Wa.

ONYX FIREWIRE CARD  
CODEC

SIZE	SCALE:	DWG. NO.	REV.
D	NONE	SCH0008593-00	A04
DWG FILE:		SHEET 7 OF 8	



**MACKIE.**  
Mackie Designs Inc. Woodinville, Wa.

**ONYX FIREWIRE CARD CONNECTOR**

SIZE D	SCALE: NONE	DWG. NO. SCH0008593-00	REV. A04
DWG FILE:			SHEET 8 OF 8