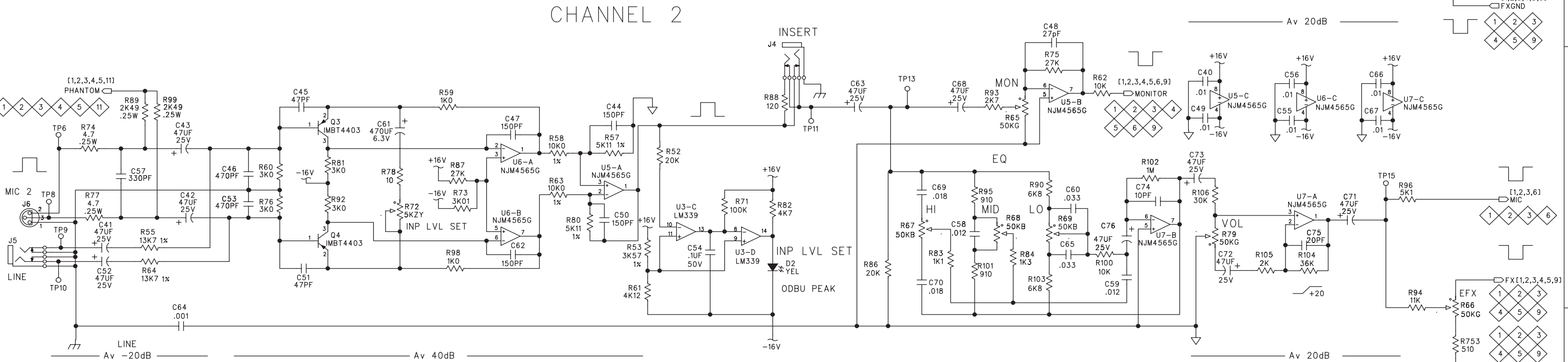
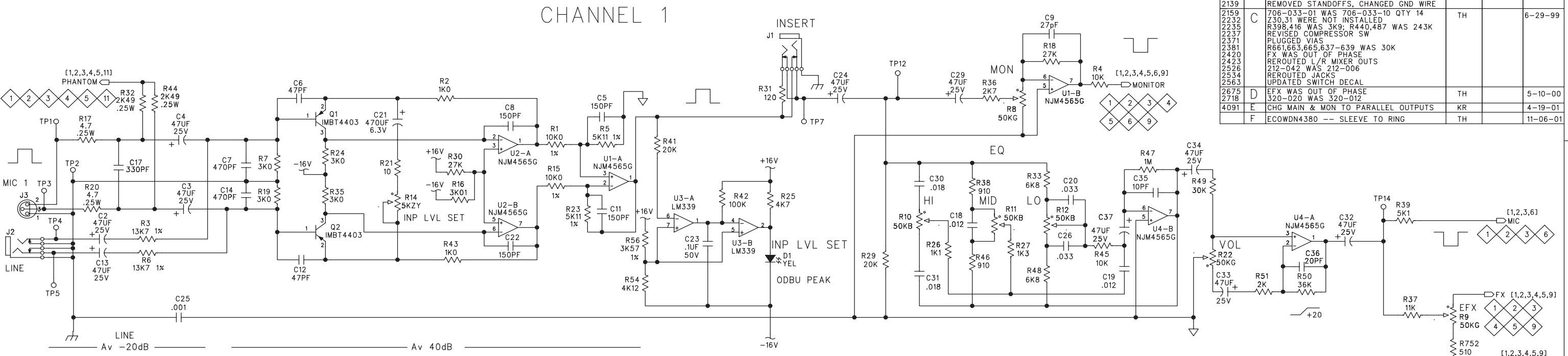
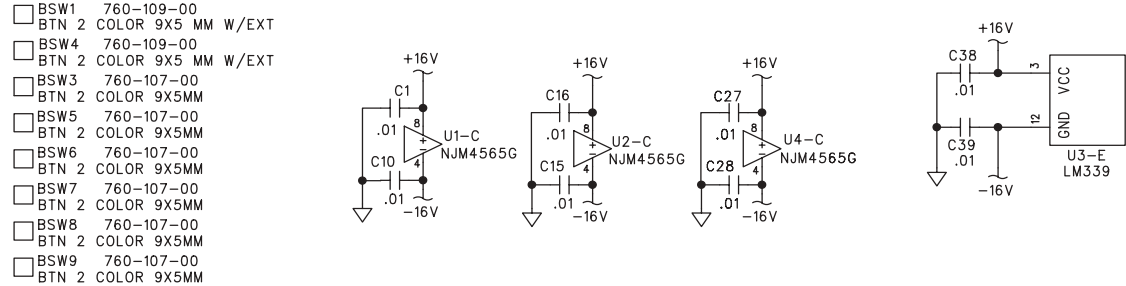


ECO#	REV.	DESCRIPTION	REV. BY:	APP. BY:	DATE
	A	RELEASE TO PRODUCTION	TH		11-20-98
2088	B	CANCELED	WG	CJ	1-12-99
2089		CHANGED BUTTONS ON SW1,SW4			
2092		BYPASSED BREAK SW OSC			
2127		ENLARGED TEST POINTS			
2136		DEFEAT NORM ON AMP IN			
2139		REMOVED STANDOFFS, CHANGED GND WIRE			
2159	C	706-033-01 WAS 706-033-10 QTY 14	TH		6-29-99
2232		Z30,31 WERE NOT INSTALLED			
2235		R398,416 WAS 3K9; R440,487 WAS 243K			
2237		REVISED COMPRESSOR SW			
2371		PLUGGED VIAS			
2381		R661,663,665,637-639 WAS 30K			
2420		FX WAS OUT OF PHASE			
2423		REROUTED L/R MIXER OUTS			
2526		212-042 WAS 212-006			
2534		REROUTED JACKS			
2563		UPDATED SWITCH DECAL			
2675	D	EFX WAS OUT OF PHASE	TH		5-10-00
2718		320-020 WAS 320-012			
4091	E	CHG MAIN & MON TO PARALLEL OUTPUTS	KR		4-19-01
	F	ECOWDN4380 -- SLEEVE TO RING	TH		11-06-01

Note that an important change has occurred in this revision. See page 11.



- H1 706-033-01 STDF SWAGE NO.4 X .542L F
- H2 706-033-01 STDF SWAGE NO.4 X .542L F
- H3 706-033-01 STDF SWAGE NO.4 X .542L F
- H4 706-033-01 STDF SWAGE NO.4 X .542L F
- H5 706-033-01 STDF SWAGE NO.4 X .542L F
- H6 706-033-01 STDF SWAGE NO.4 X .542L F
- H7 706-033-01 STDF SWAGE NO.4 X .542L F
- H8 706-033-01 STDF SWAGE NO.4 X .542L F
- H9 706-038-00 STDF NO.4 X .250L
- H10 706-038-00 STDF NO.4 X .250L
- H11 706-038-00 STDF NO.4 X .250L
- H12 706-038-00 STDF NO.4 X .250L
- Z100 450-205-00 PCB, MIXER BOARD 408M/808M



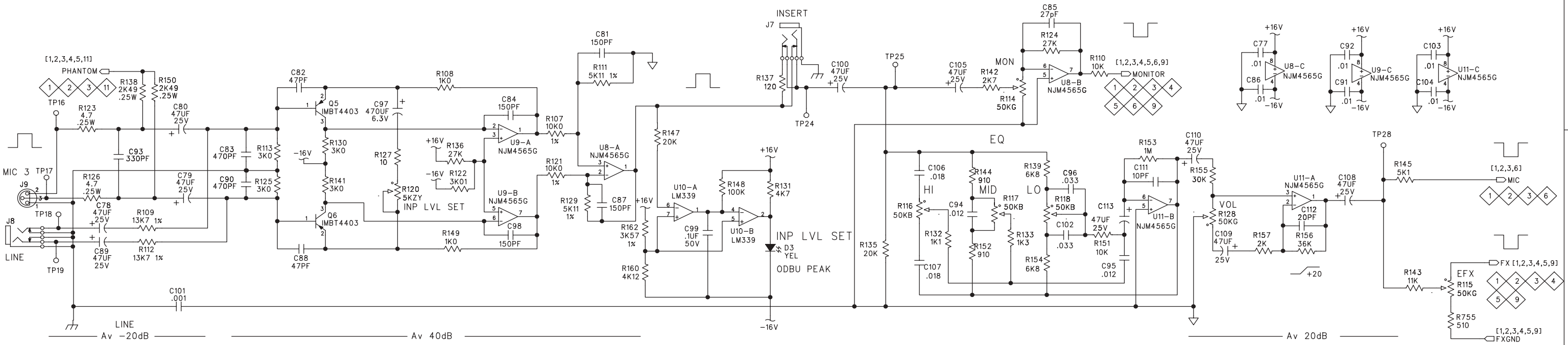
APPROVALS		DATE
DRAWN:	trh	4-1-98
CHECKED:		
NP ENG:	CJ	11-23-98
MATERIAL:		
MFG:		
MFG ENG:	C BAKER	1-14-99
ISSUED:	LEIGH	11-23-98

MACKIE
Mackie Designs Inc. Woodinville, Wa.

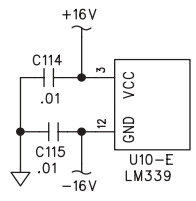
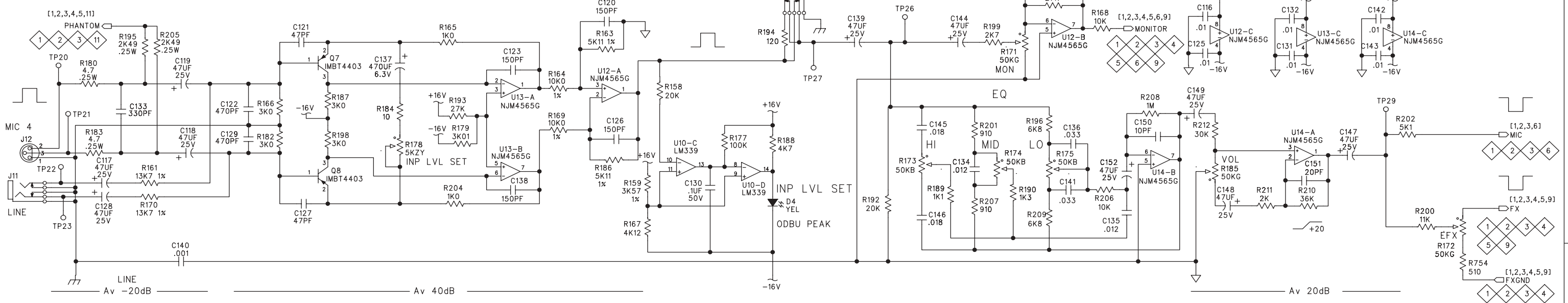
SCHMATIC, MIXER BOARD 408M/808M
MIC CHANNELS 1 & 2

SIZE: D SCALE: NONE DWG. NO. 990-205-04 REV. F
DWG FILE: SHEET 1 OF 11

CHANNEL 3



CHANNEL 4



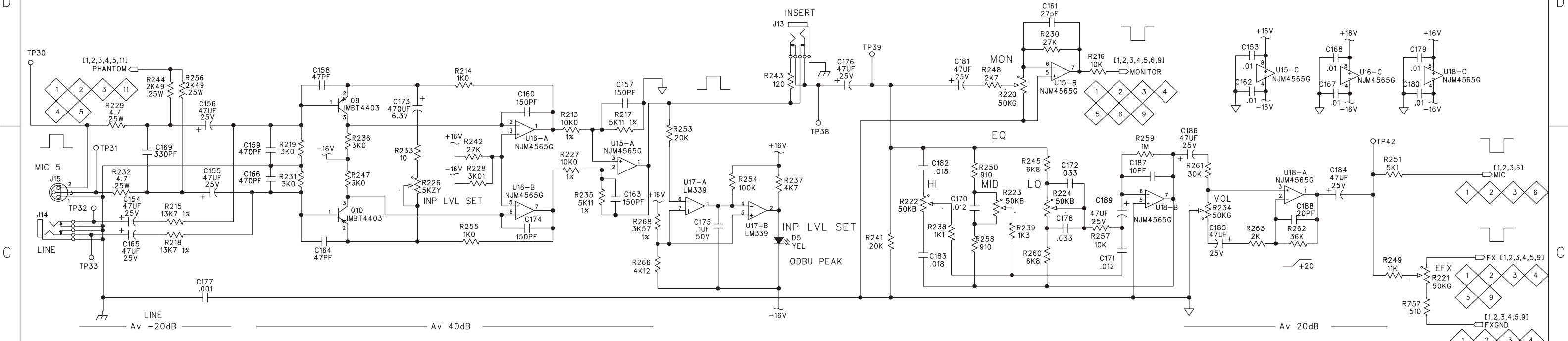
UNLESS OTHERWISE SPECIFIED DIMENSIONS ARE IN INCHES TOLERANCES ARE: FRACTIONS: DECIMALS: ANGLES: ±NA .XX ±.01 ±MA .XXX ±.005	APPROVALS	DATE
	DRAWN: trh	4-1-98
	CHECKED:	
	NP ENG:	
MATERIAL:	MATERIAL:	
SEE NOTES	MFG:	
FINISH:	MFG ENG:	
SEE NOTES	ISSUED:	
DO NOT SCALE DRAWING		

MACKIE
Mackie Designs Inc. Woodinville, Wa.

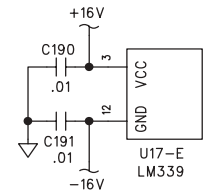
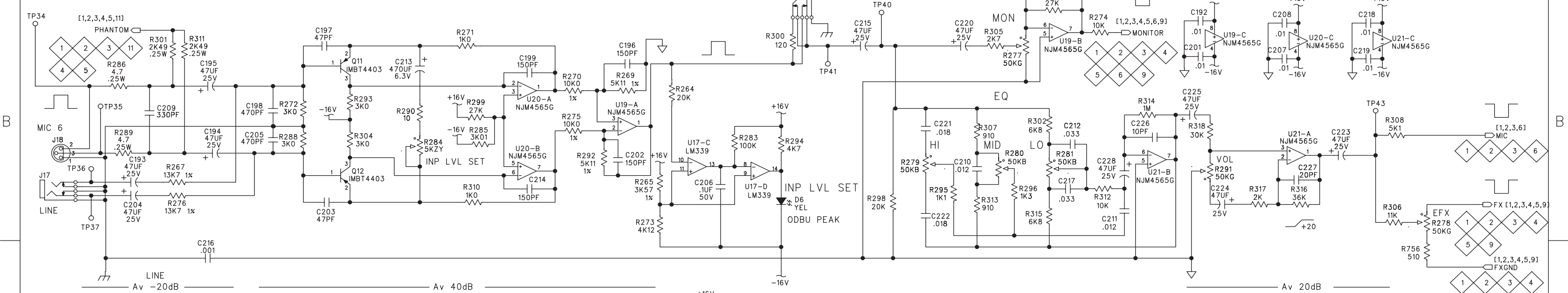
SCHMATIC, MIXER BOARD 408M/808M
MIC CHANNELS 3 & 4

SIZE D	SCALE NONE	DWG. NO. 990-205-04	REV. F
DWG FILE:		SHEET 2 OF 11	

CHANNEL 5



CHANNEL 6



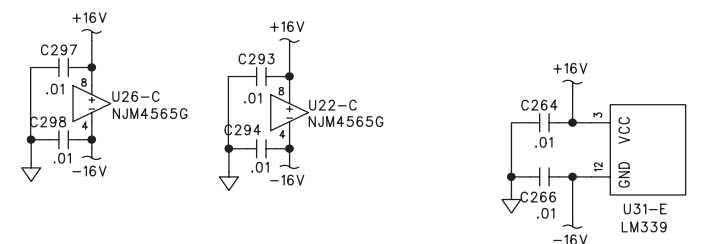
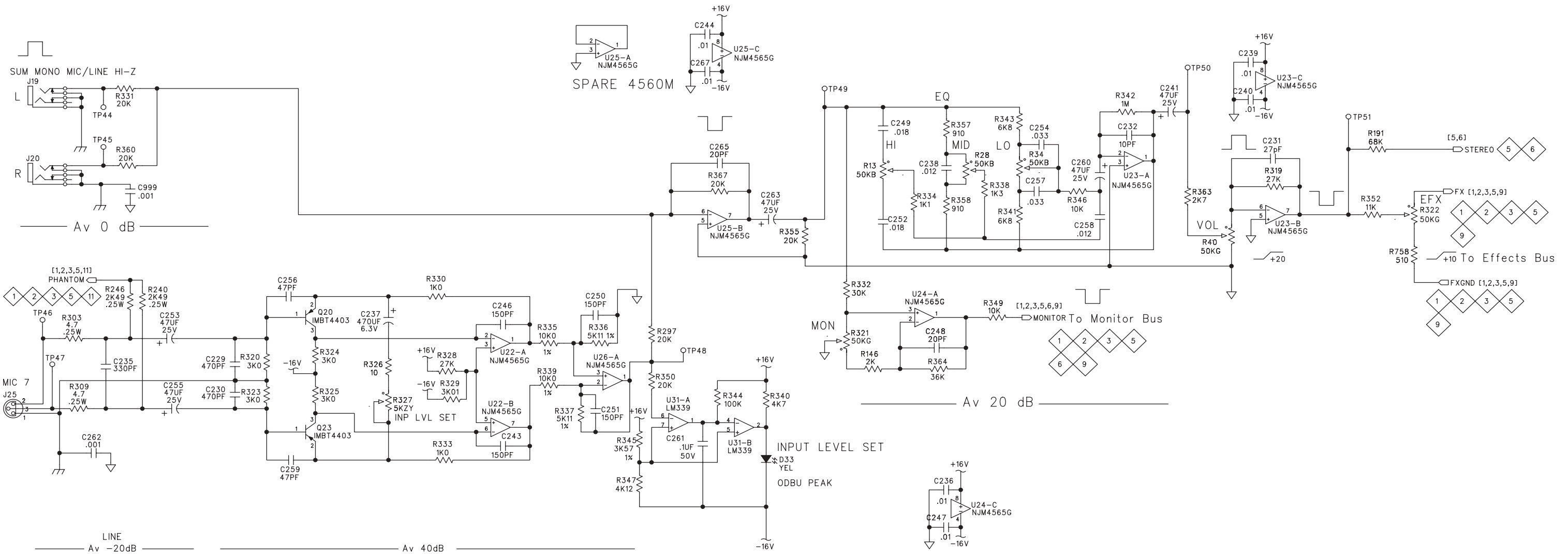
UNLESS OTHERWISE SPECIFIED DIMENSIONS ARE IN INCHES TOLERANCES ARE: FRACTIONS: DECIMALS: ANGLES: ±NA .XX ±.01 ±MA .XXX ±.005	APPROVALS	DATE
	DRAWN: trh	4-1-98
	CHECKED:	
	NP ENG:	
MATERIAL:	MATERIAL:	
SEE NOTES	MFG:	
FINISH:	MFG ENG:	
SEE NOTES	ISSUED:	
DO NOT SCALE DRAWING		

MACKIE
Mackie Designs Inc. Woodinville, Wa.

SCHMATIC, MIXER BOARD 408M/808M
MIC CHANNELS 5 & 6

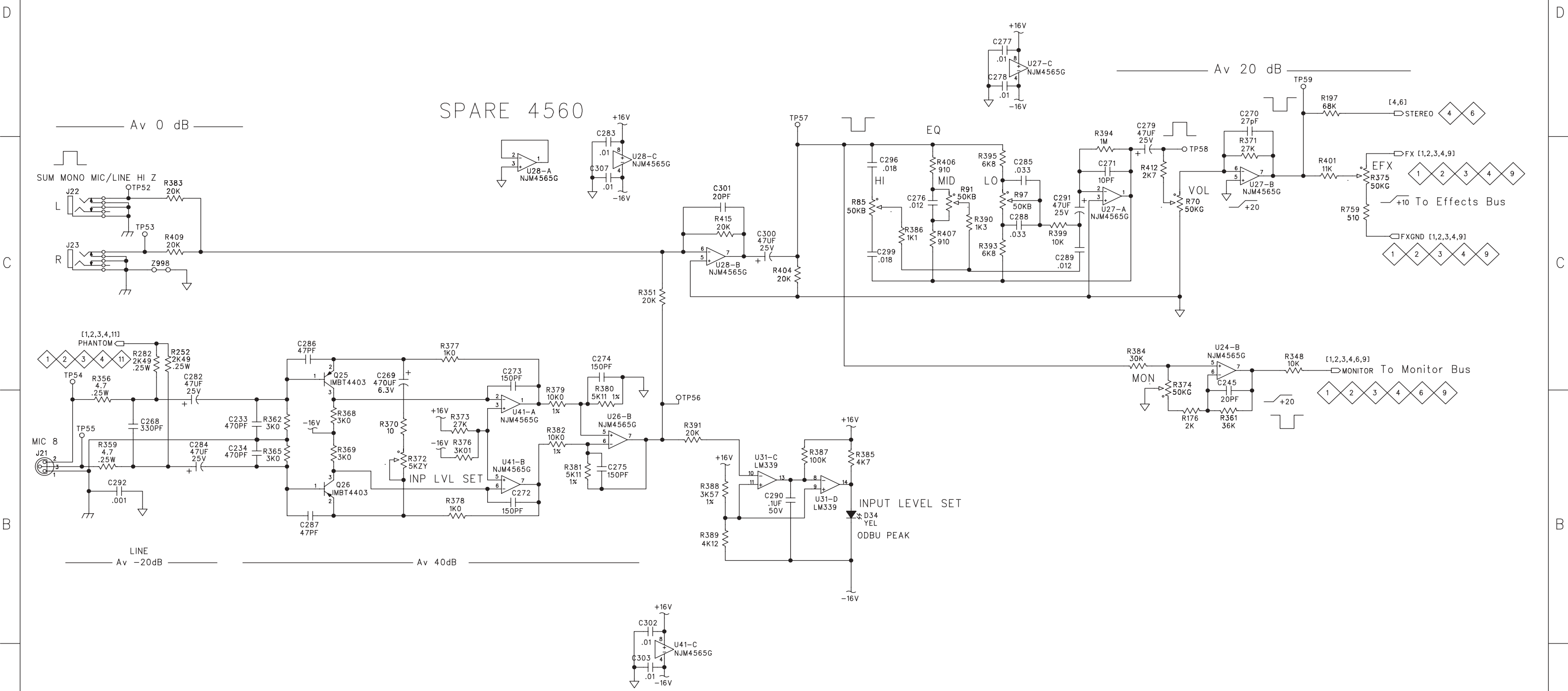
SIZE: D	SCALE: NONE	DWG. NO. 990-205-04	REV. F
DWG FILE:		SHEET 3 OF 11	

CHANNEL 7

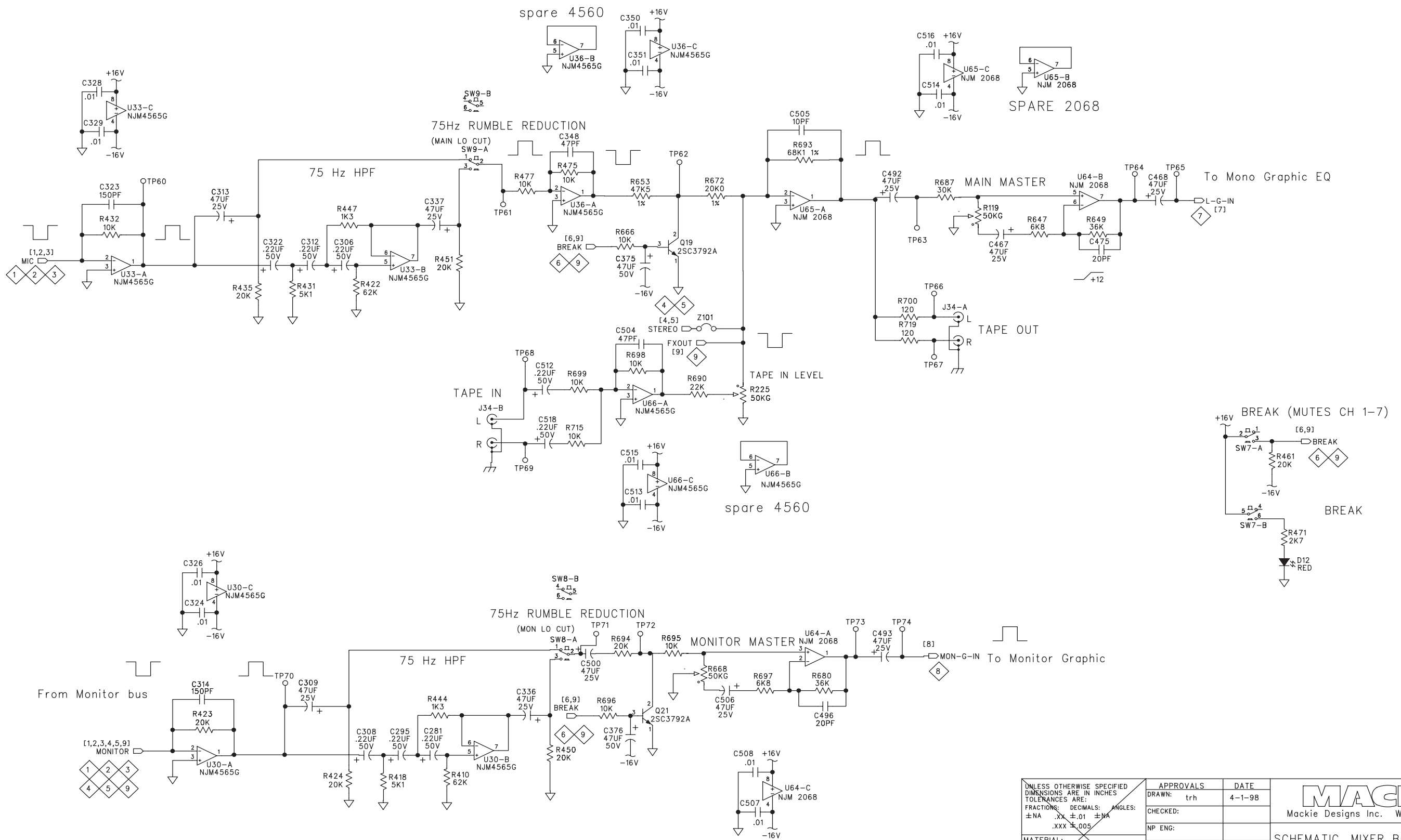


UNLESS OTHERWISE SPECIFIED DIMENSIONS ARE IN INCHES TOLERANCES ARE: FRACTIONS: DECIMALS: ANGLES: ±NA .XX ±.01 ±MA .XXX ±.005	APPROVALS	DATE	MACKIE Mackie Designs Inc. Woodinville, Wa.
	DRAWN: trh	4-1-98	
MATERIAL: SEE NOTES	NP ENG:		SCHEMATIC, MIXER BOARD 408M/808M MIC/LINE CHANNEL 7
	MATERIAL:		
FINISH: SEE NOTES	MFG:		SIZE D SCALE: NONE DWG. NO. 990-205-04 REV. F
	MFG ENG:		
DO NOT SCALE DRAWING	ISSUED:		DWG FILE: SHEET 4 OF 11

CHANNEL 8



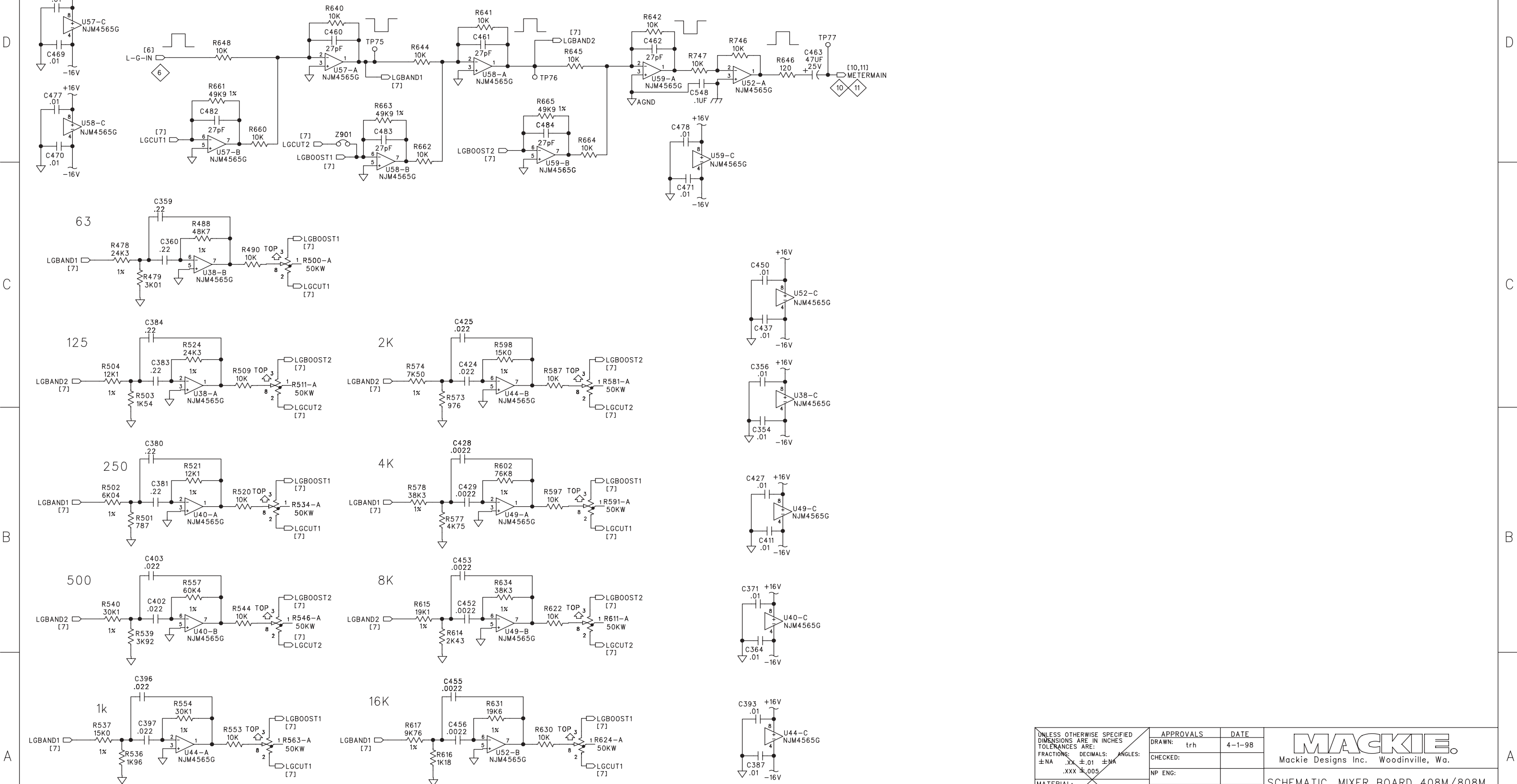
UNLESS OTHERWISE SPECIFIED DIMENSIONS ARE IN INCHES TOLERANCES ARE: FRACTIONS: DECIMALS: ANGLES: ±NA .XX ±.01 ±MA .XXX ±.005	APPROVALS	DATE	 Mackie Designs Inc. Woodinville, Wa.
	DRAWN: trh	4-1-98	
MATERIAL: SEE NOTES	CHECKED:		SCHEMATIC, MIXER BOARD 408M/808M MIC/LINE CHANNEL 8
	NP ENG:		
FINISH: SEE NOTES	MATERIAL:		SIZE: D SCALE: NONE DWG. NO. 990-205-04 REV. F
	MFG:		
DO NOT SCALE DRAWING	MFG ENG:		DWG. NO. 990-205-04 REV. F
	ISSUED:		DWG. FILE: SHEET 5 OF 11



UNLESS OTHERWISE SPECIFIED DIMENSIONS ARE IN INCHES TOLERANCES ARE: FRACTIONS: DECIMALS: ANGLES: ±NA .XX ±.01 ±MA .XXX ±.005	APPROVALS	DATE	 Mackie Designs Inc. Woodinville, Wa.
	DRAWN: trh	4-1-98	
MATERIAL: SEE NOTES	MATERIAL:		SCHEMATIC, MIXER BOARD 408M/808M SUMMING SECTION
	FINISH: SEE NOTES	MFG:	
DO NOT SCALE DRAWING	ISSUED:		SIZE: D SCALE: NONE DWG. NO. 990-205-04 REV. F DWG FILE: SHEET 6 OF 11

ECO#	REV:	DESCRIPTION	REV. BY:	APP. BY:	DATE
------	------	-------------	----------	----------	------

MONO GRAPHIC



UNLESS OTHERWISE SPECIFIED DIMENSIONS ARE IN INCHES TOLERANCES ARE: FRACTIONS: DECIMALS: ANGLES: ±NA .XX ±.01 ±MA .XXX ±.005	APPROVALS	DATE	 Mackie Designs Inc. Woodinville, Wa.
	DRAWN: trh	4-1-98	
MATERIAL:	MATERIAL:		SCHEMATIC, MIXER BOARD 408M/808M MONO GRAPHIC
SEE NOTES	MFG:		
FINISH:	MFG ENG:		SIZE: D SCALE: NONE DWG. NO. 990-205-04 REV. F
DO NOT SCALE DRAWING	ISSUED:		DWG. FILE: SHEET 7 OF 11

MONITOR GRAPHIC

D

D

C

C

B

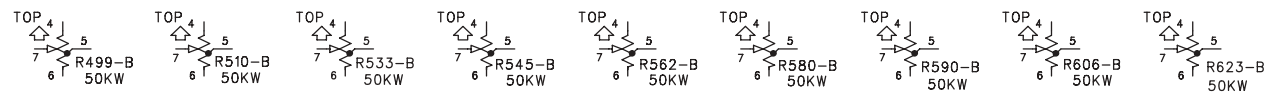
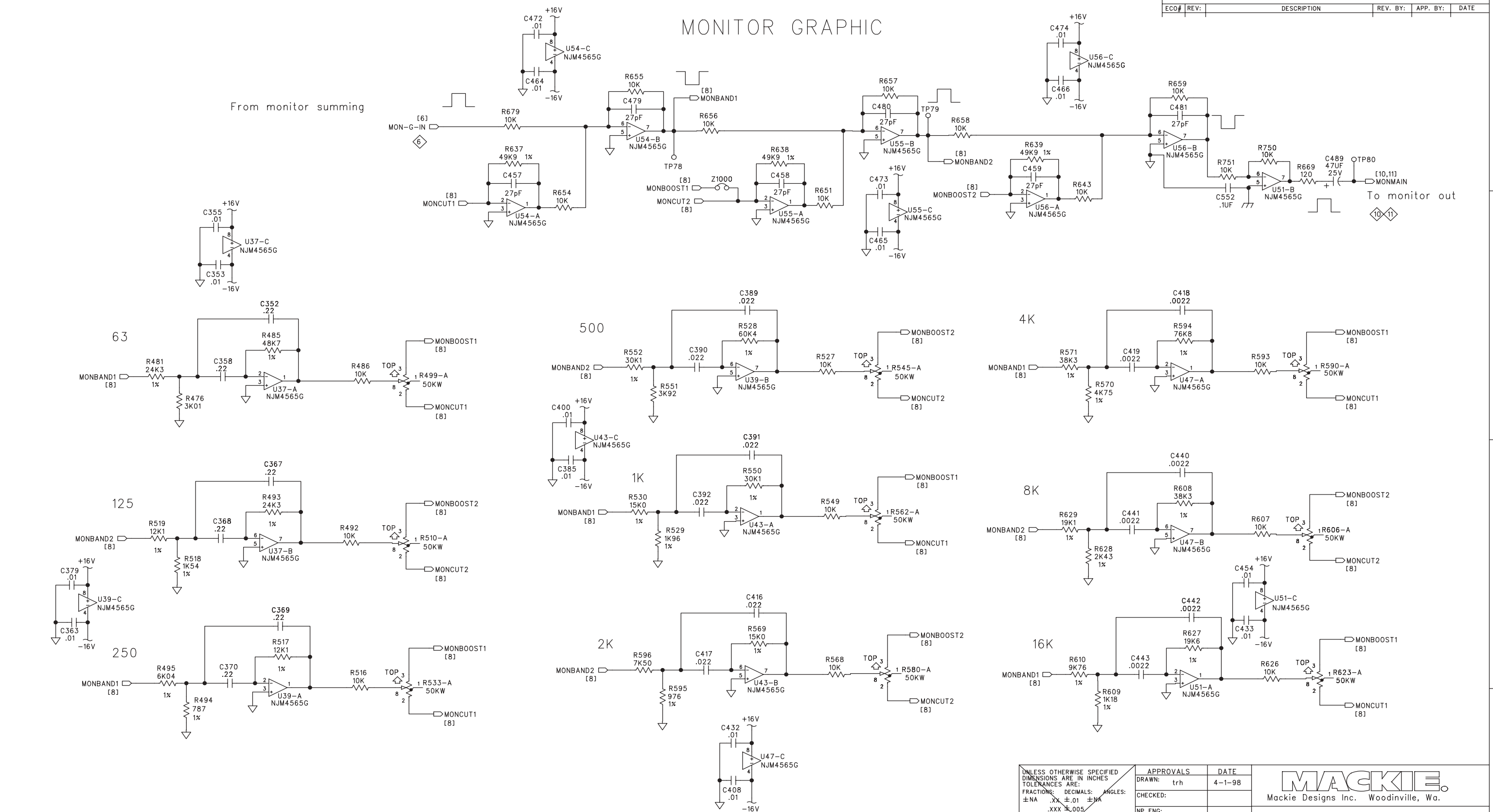
B

A

A

From monitor summing

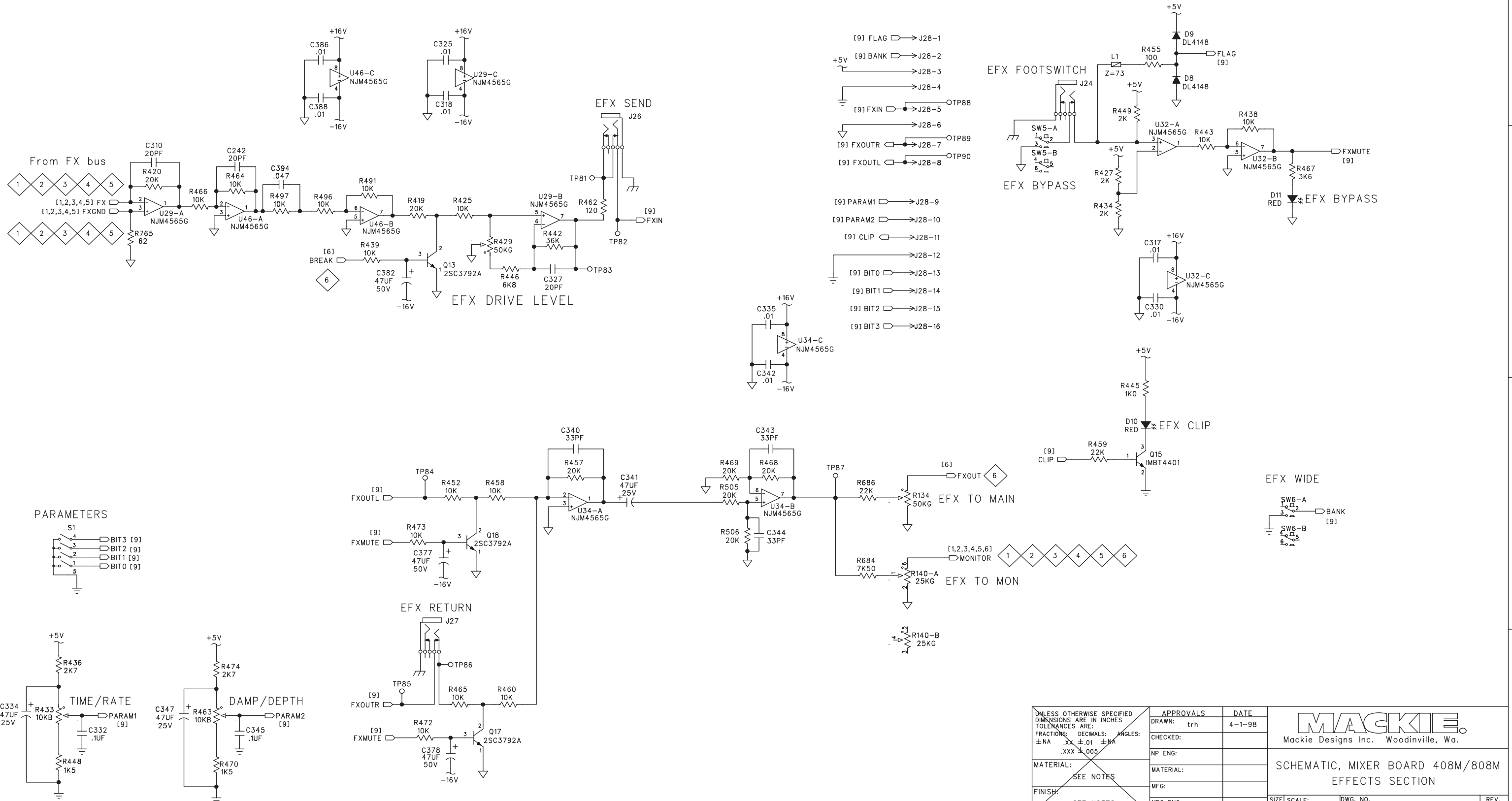
To monitor out



UNLESS OTHERWISE SPECIFIED DIMENSIONS ARE IN INCHES TOLERANCES ARE: FRACTIONS: DECIMALS: ANGLES: ±NA .XX ±.01 ±MA .XXX ±.005	APPROVALS	DATE
	DRAWN: trh	4-1-98
	CHECKED:	
	NP ENG:	
MATERIAL:	MATERIAL:	
SEE NOTES	MFG:	
FINISH:	MFG ENG:	
SEE NOTES	ISSUED:	
DO NOT SCALE DRAWING		

MACKIE Mackie Designs Inc. Woodinville, Wa.	
SCHEMATIC, MIXER BOARD 408M/808M MONITOR GRAPHIC	
SIZE: D	SCALE: NONE
DWG. NO. 990-205-04	REV. F
DWG. FILE:	SHEET 8 OF 11

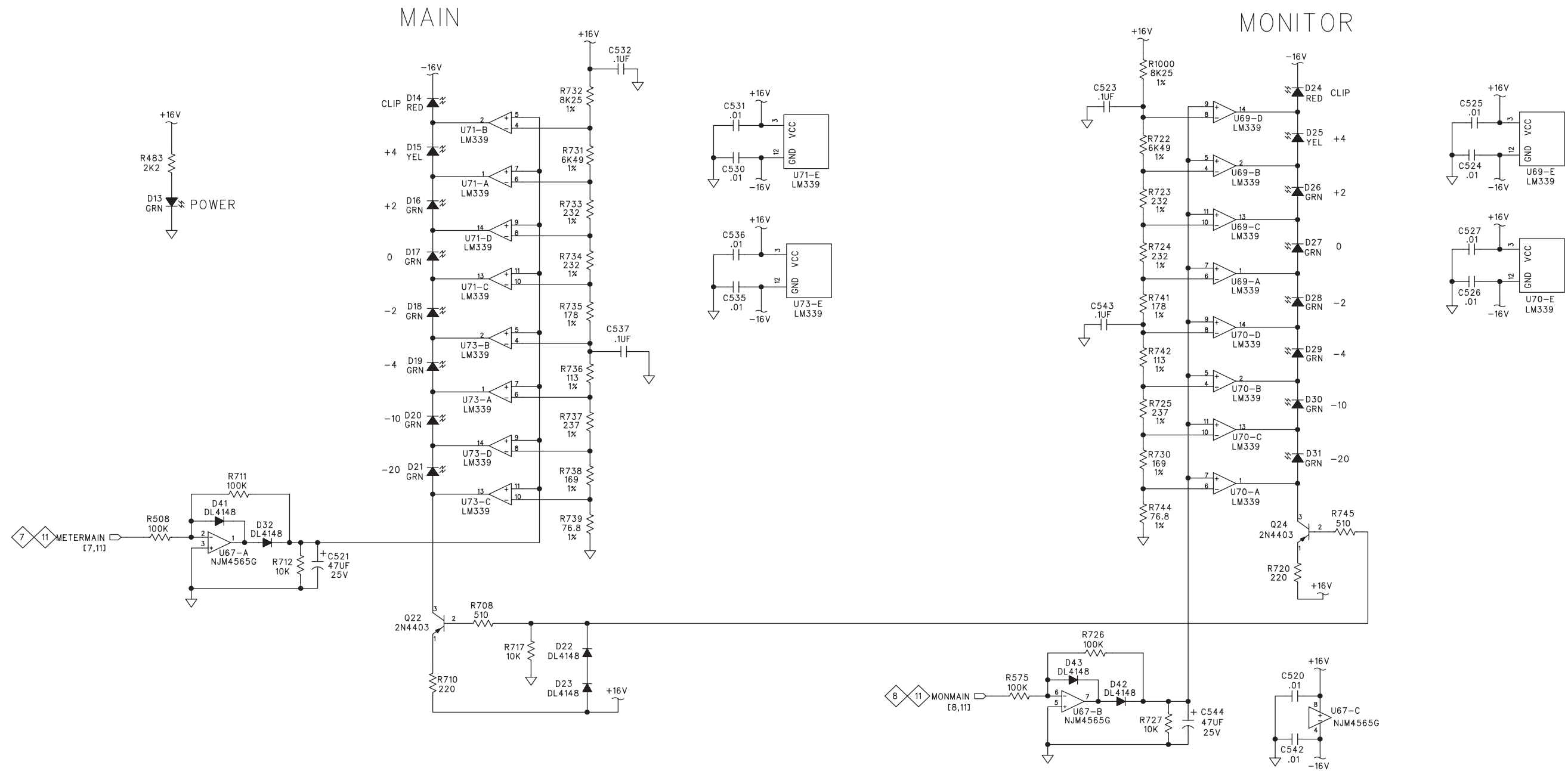
D
C
B
A



UNLESS OTHERWISE SPECIFIED DIMENSIONS ARE IN INCHES TOLERANCES ARE: FRACTIONS: DECIMALS: ANGLES: ±NA .XX ±.01 ±NA .XXX ±.005	APPROVALS	DATE	 Mackie Designs Inc. Woodinville, Wa.
	DRAWN: trh	4-1-98	
MATERIAL: SEE NOTES	MATERIAL:		SCHEMATIC, MIXER BOARD 408M/808M EFFECTS SECTION
	MFG:		
FINISH: SEE NOTES	MFG ENG:		SIZE D SCALE: NONE DWG. NO. 990-205-04 REV. F DWG FILE: SHEET 9 OF 11
	ISSUED:		

D
C
B
A

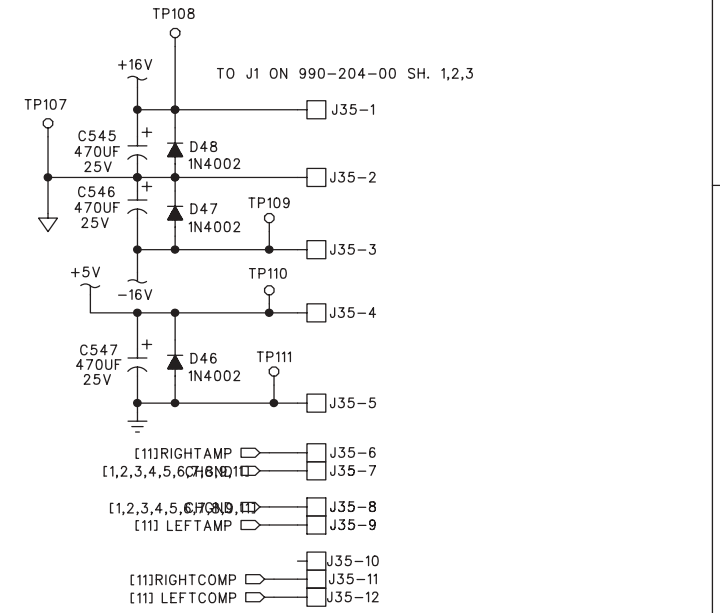
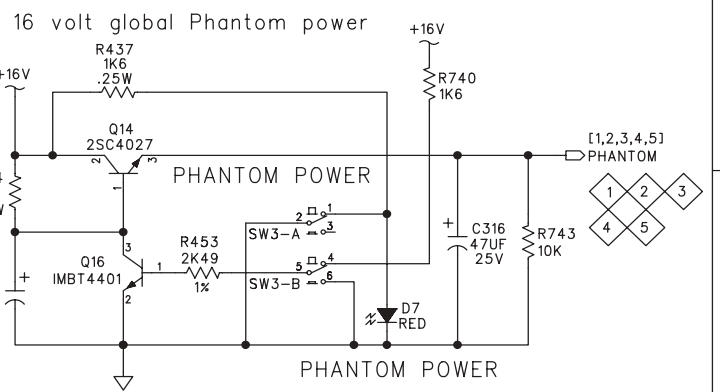
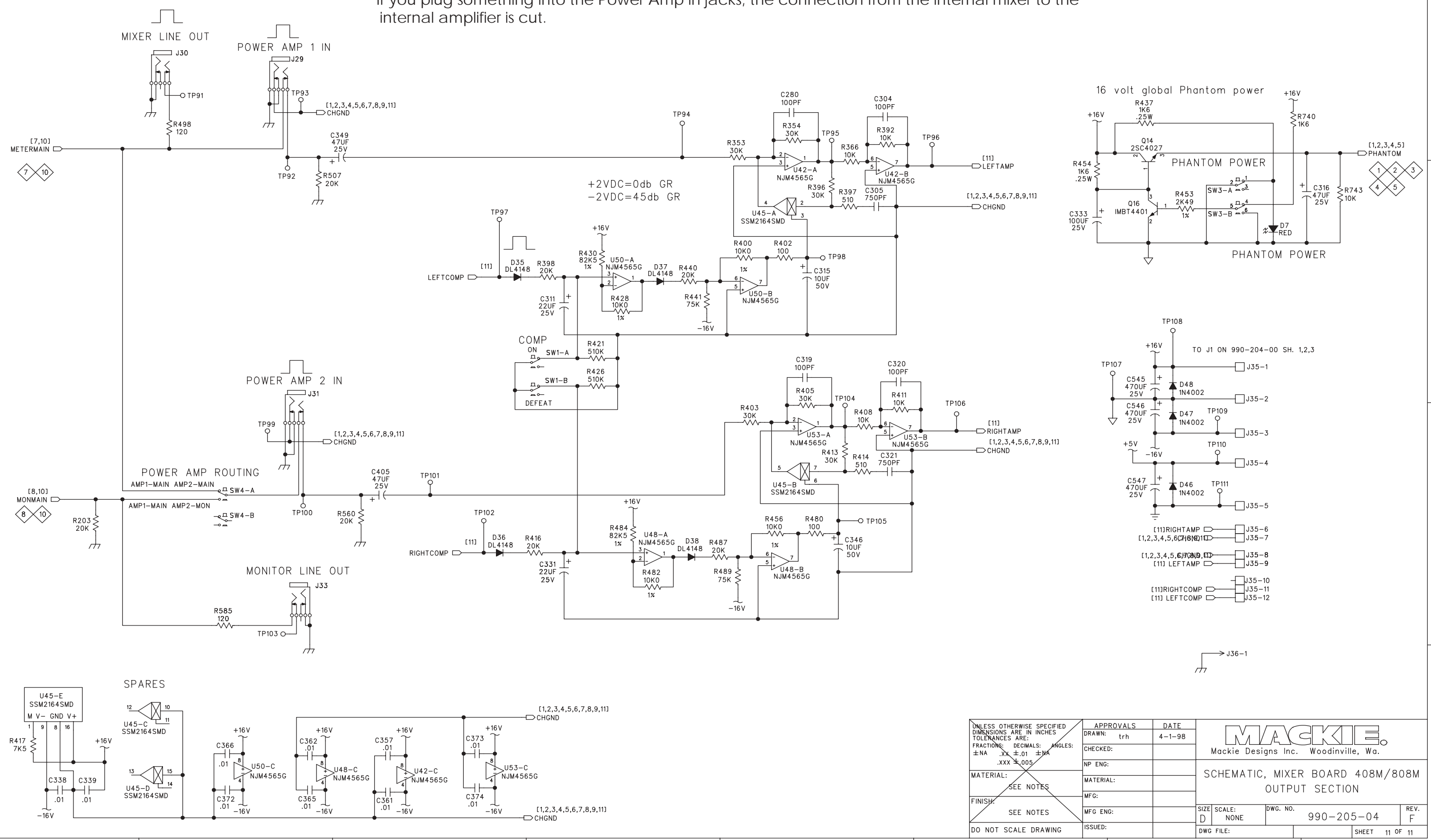
D
C
B
A



UNLESS OTHERWISE SPECIFIED DIMENSIONS ARE IN INCHES TOLERANCES ARE: FRACTIONS: DECIMALS: ANGLES: ±NA .XX ±.01 ±NA .XXX ±.005	APPROVALS	DATE	 Mackie Designs Inc. Woodinville, Wa.
	DRAWN: trh	4-7-98	
MATERIAL: SEE NOTES	CHECKED:		SCHEMATIC, MIXER BOARD 408M/808M METER SECTION
	NP ENG:		
FINISH: SEE NOTES	MATERIAL:		SIZE D SCALE: NONE DWG. NO. 990-205-04 REV. F
	MFG:		
DO NOT SCALE DRAWING	MFG ENG:		DWG. NO. 990-205-04 REV. F
	ISSUED:		
			DWG. FILE: SHEET 10 OF 11

Note that an important and yet fiendishly subtle change has occurred in this revision.
 If you plug something into the Power Amp in jacks, the connection from the internal mixer to the internal amplifier is cut.

D
C
B
A



UNLESS OTHERWISE SPECIFIED DIMENSIONS ARE IN INCHES TOLERANCES ARE: FRACTIONS: DECIMALS: ANGLES: ±NA .XX ±.01 ±NA .XXX ±.005	APPROVALS	DATE	MACKIE Mackie Designs Inc. Woodinville, Wa.
	DRAWN: trh	4-1-98	
MATERIAL: SEE NOTES	CHECKED:		SCHEMATIC, MIXER BOARD 408M/808M OUTPUT SECTION
	NP ENG:		
FINISH: SEE NOTES	MATERIAL:		SIZE: D SCALE: NONE DWG. NO. 990-205-04 REV. F
	MFG:		
DO NOT SCALE DRAWING	MFG ENG:		DWG. NO. 990-205-04 REV. F SHEET 11 OF 11
	ISSUED:		