

7

6

5

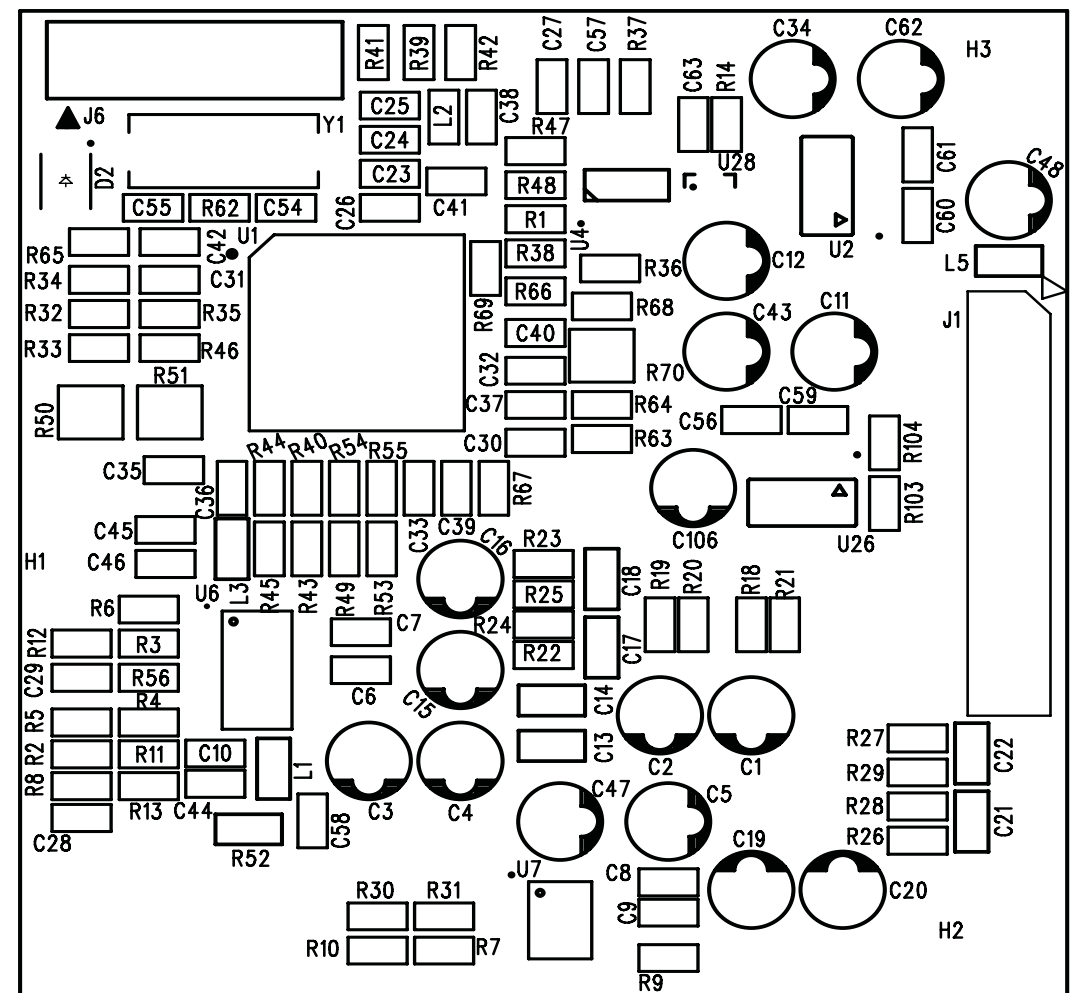
4

3


1

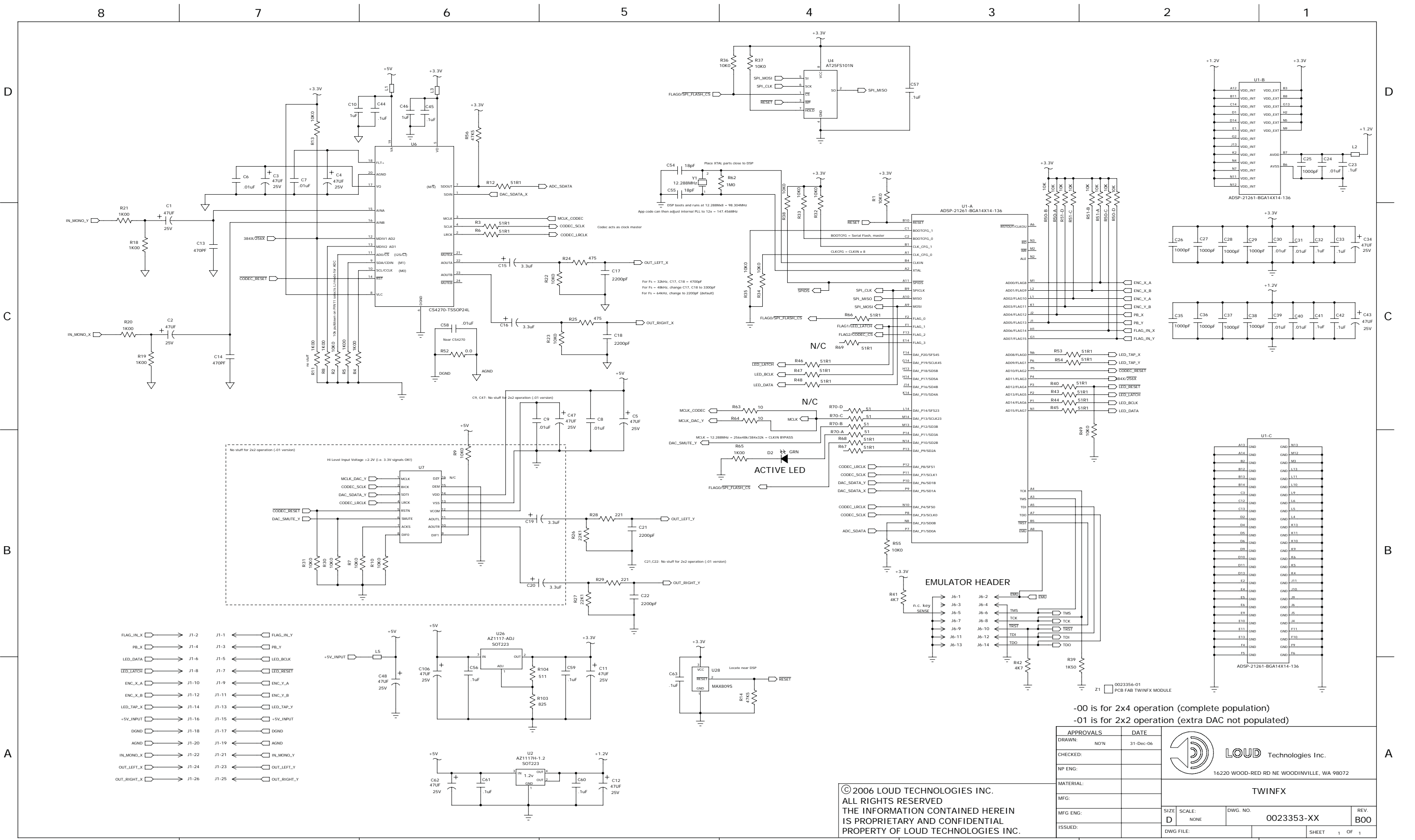
REVISIONS				
ECO#	REV.	DESCRIPTION	REV. BY:	DATE

TOP VIEW (COMPONENT SIDE)



Loud Technologies 0023356-01 Rev:B00

APPROVALS	DATE	 Loud Technologies Inc. Woodinville, Wa.	
	DRAWN: mfp		01-25-07
	CHECKED:		
	MP ENGINEERING:		
	MATERIAL:		
MANUFACTURING:		PCB ASSY, TWINFX MODULE	
MFG ENGINEERING:			
ISSUED:		DWG. NO. 0023353-XX REV. BXX	
DWC FILE:		SHEET 1 OF 1	



-00 is for 2x4 operation (complete population)
 -01 is for 2x2 operation (extra DAC not populated)

APPROVALS		DATE	
DRAWN:	NO'N	31-Dec-06	
CHECKED:			
NP ENG:			
MATERIAL:	TWINFX		
MFG:	16220 WOOD-RED RD NE WOODINVILLE, WA 98072		
MFG ENG:	SIZE: D	SCALE: NONE	DWG. NO. 0023353-XX
ISSUED:			REV. B00
	DWG FILE:		SHEET 1 OF 1

© 2006 LOUD TECHNOLOGIES INC.
 ALL RIGHTS RESERVED
 THE INFORMATION CONTAINED HEREIN
 IS PROPRIETARY AND CONFIDENTIAL
 PROPERTY OF LOUD TECHNOLOGIES INC.