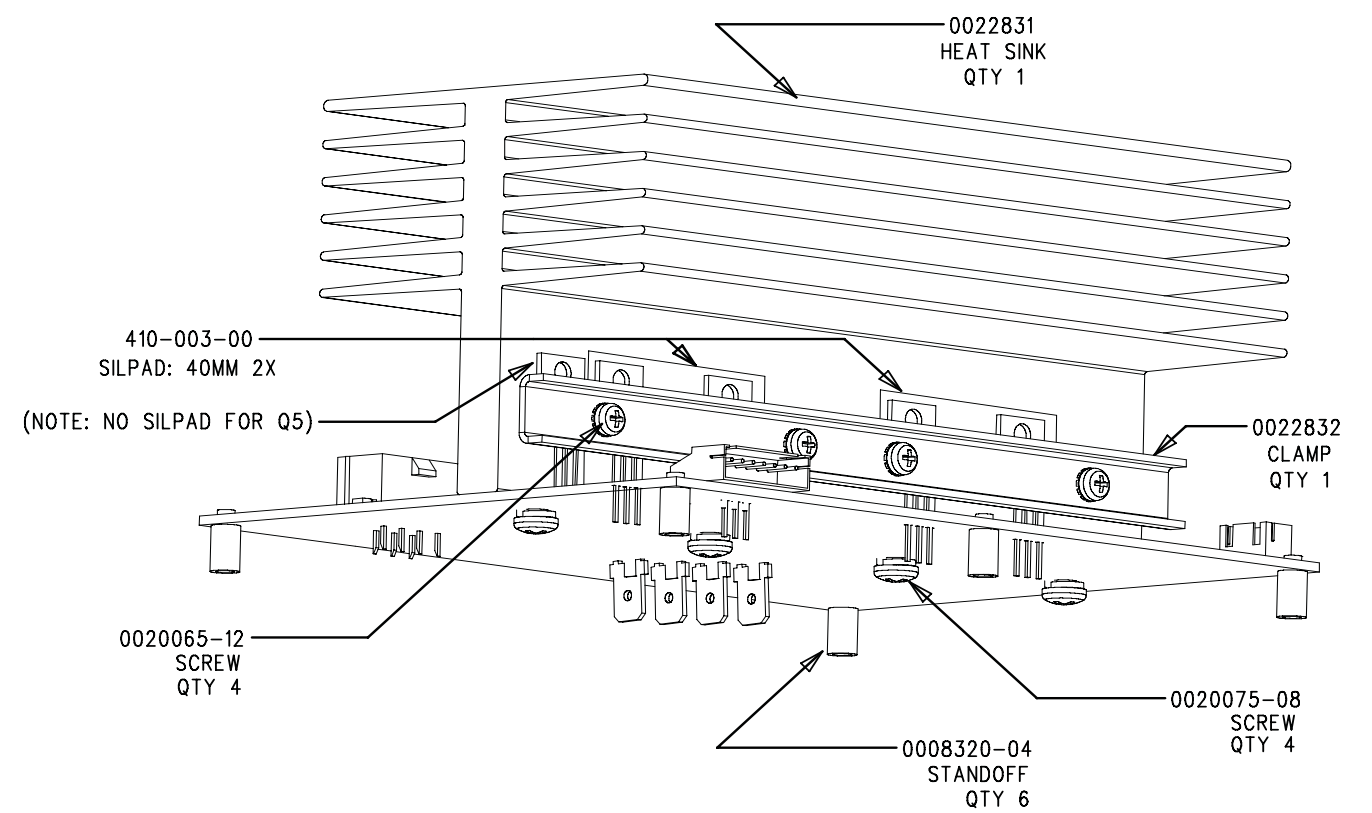
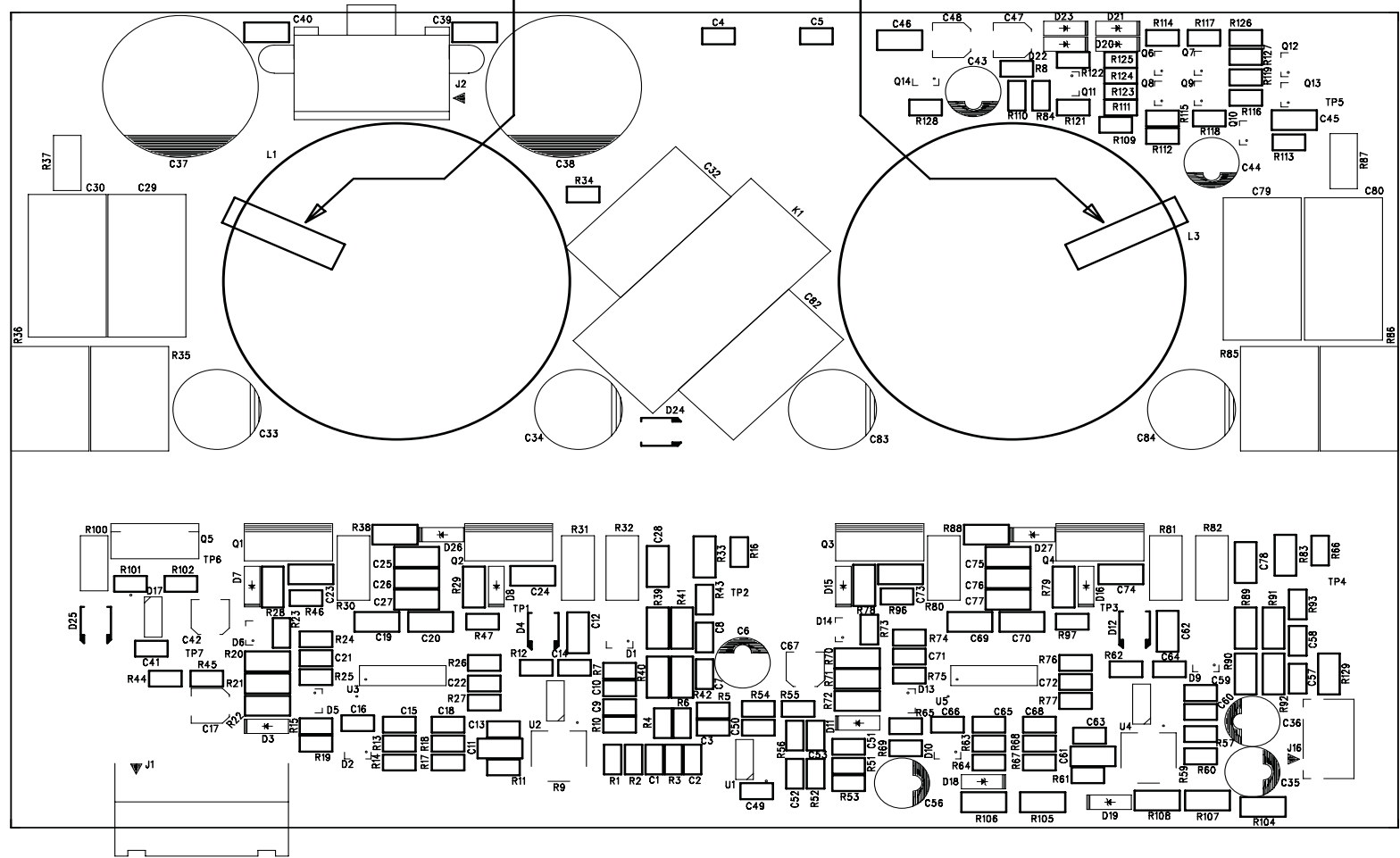


ASSEMBLY TOP

SECURE L1 & L3 TO PCB
WITH TIE WRAPS (2X: 0021206)



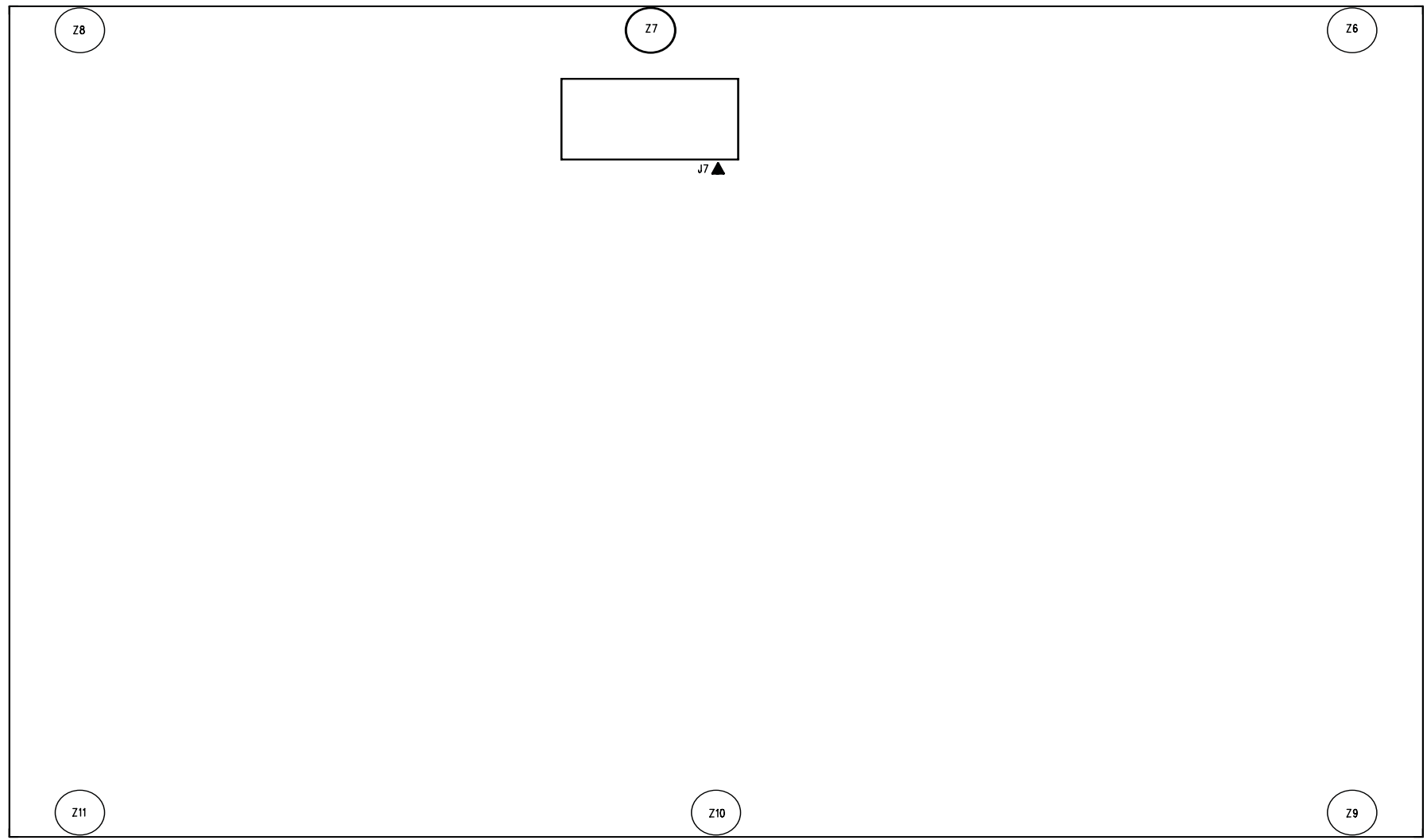
Loud Technologies 0020665-02 Rev:C00

NOTE: -00 IS 500 WATT VERSION OF ASSY
 -01 IS 300 WATT VERSION OF ASSY
 (SEE BOM'S AND SCHEMATIC FOR DETAILS)

©2007 LOUD TECHNOLOGIES INC.
 ALL RIGHTS RESERVED.
 THE INFORMATION CONTAINED HEREIN
 IS PROPRIETARY AND CONFIDENTIAL
 PROPERTY OF LOUD TECHNOLOGIES INC.


± NA .xx ± NA ± NA .xxx ± NA MATERIAL: FINISH: DO NOT SCALE DRAWING	APPROVALS	DATE	LOUD Technologies Inc. 16220 WOOD-RED RD NE WOODINVILLE, WA 98072 PCB ASSY, 500/300 W CLASS D AMP DWG. NO. 0020664-XX REV. CXX SHEET 1 OF 2
	DRAWN: DWJ	3/9/07	
	CHECKED:		
	MP ENGINEERING:		
	MATERIAL:		
	MANUFACTURING:		
	MFG ENGINEERING:		
	ISSUED:		

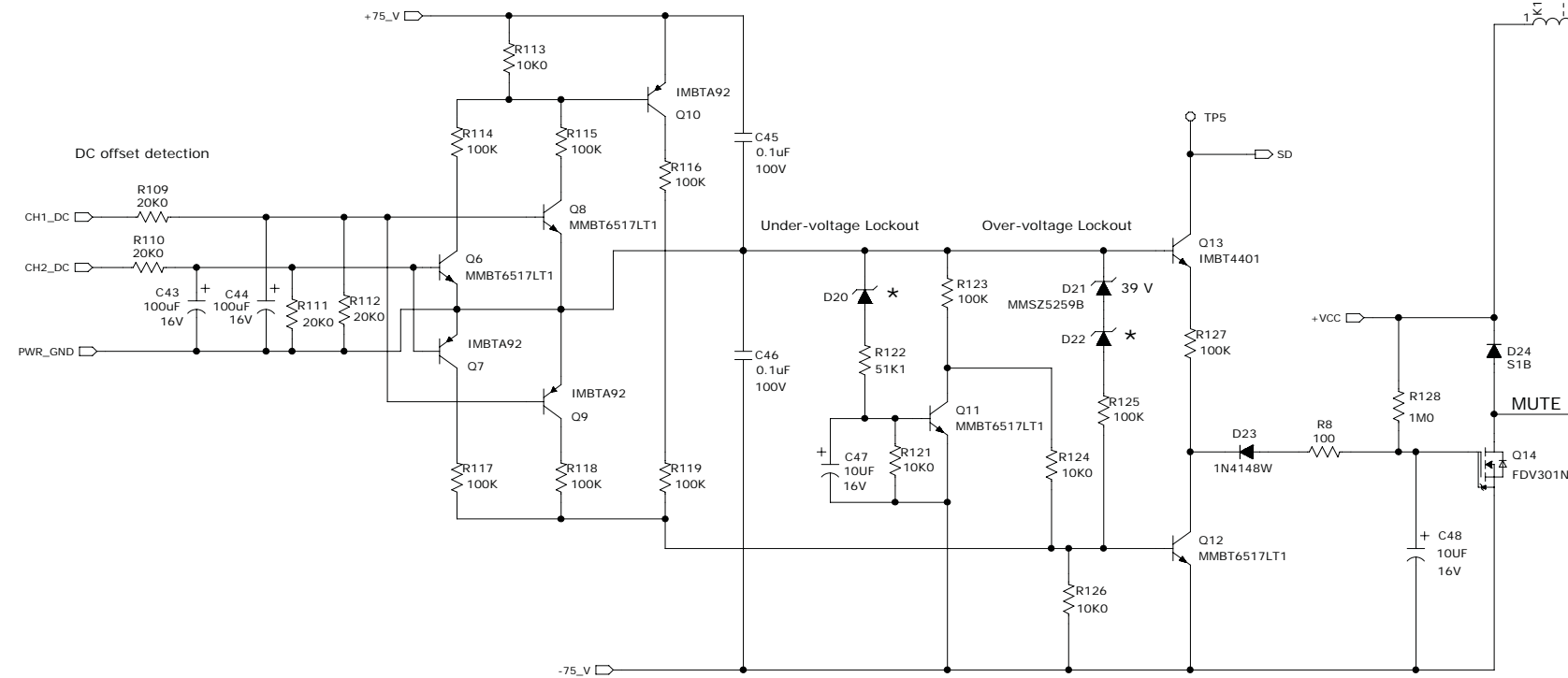
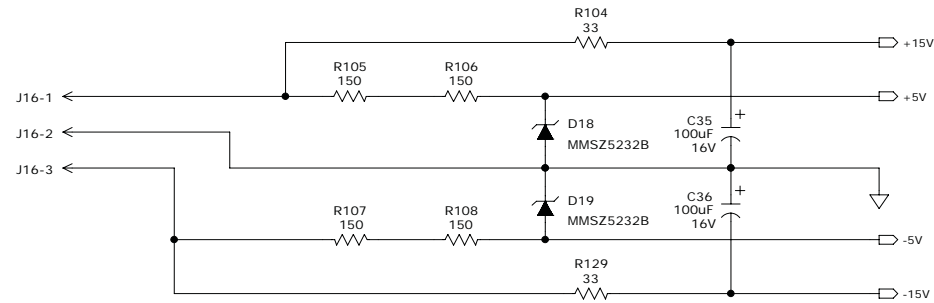
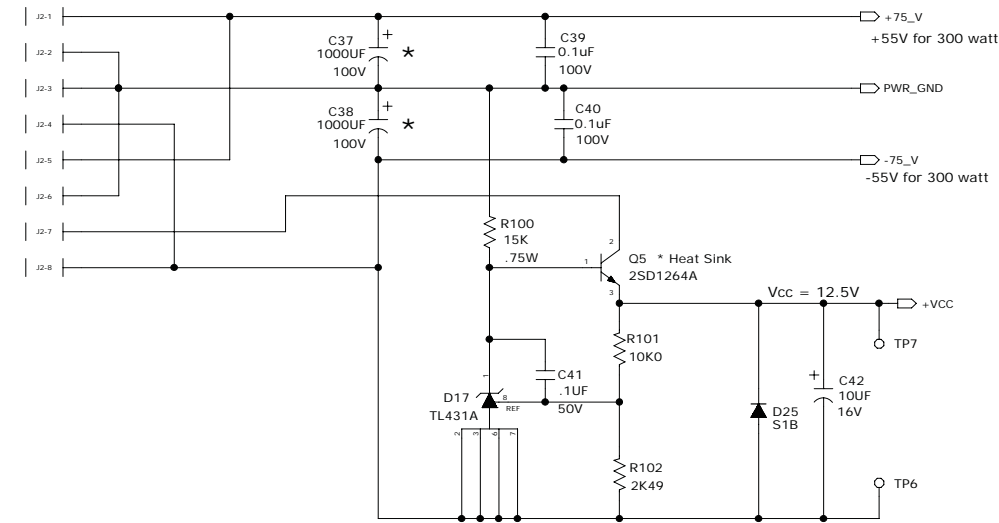
ASSEMBLY BOTTOM



LOUD Technologies 0020664-02 Rev:000

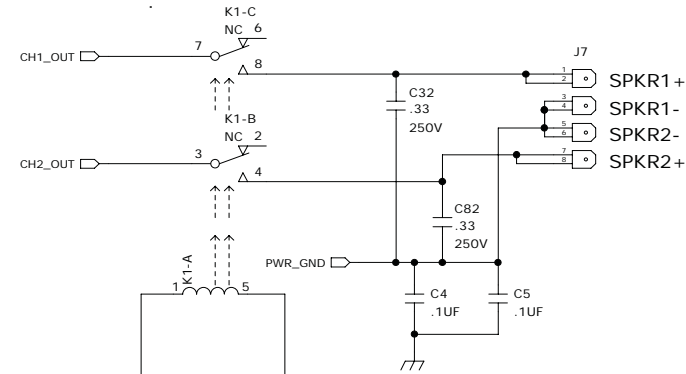
©2007 LOUD TECHNOLOGIES INC.
 ALL RIGHTS RESERVED
 THE INFORMATION CONTAINED HEREIN
 IS PROPRIETARY AND CONFIDENTIAL
 PROPERTY OF LOUD TECHNOLOGIES INC.

UNLESS OTHERWISE SPECIFIED DIMENSIONS ARE IN INCHES TOLERANCES ARE: FRACTIONS: DECIMALS: ANGLES: ± NA .XX ± NA ± NA .XXX ± NA	APPROVALS	DATE	 LOUD Technologies Inc. 16220 WOOD-RED RD NE WOODINVILLE, WA 98072	
	DRAWN:			PCB ASSY, 500/300 W CLASS D AMP
	CHECKED:			
	MATERIAL:			
	FINISH:			
DO NOT SCALE DRAWING	ISSUED:		SIZE SCALE: DWG. NO. 0020664-XX REV. CXX DWG FILE: SHEET 2 OF 2	



* SEE TABLE ON THIS SHEET

	-00	-01
Q1-4	0024057 FDP33N25	0026704 IRFB31N20D
D20,22	0004127 MMSZ5259B (39V)	0004131 MMSZ5250B (20V)
C37,38	0024044	NO STUFF



- Z1 0020665-02 PCB FAB 500/300 W CLASS D AMP
 - Z11 0008320-04 STDF SWAGE M3 X 8MM 4.7 DIA
 - Z10 0008320-04 STDF SWAGE M3 X 8MM 4.7 DIA
 - Z9 0008320-04 STDF SWAGE M3 X 8MM 4.7 DIA
 - Z8 0008320-04 STDF SWAGE M3 X 8MM 4.7 DIA
 - Z6 0008320-04 STDF SWAGE M3 X 8MM 4.7 DIA
-
- Z2 Z3 Z4 Z5 HEATSINK MTG HOLES
- Z7 0008320-04 STDF SWAGE M3 X 8MM 4.7 DIA

- Z12 0020065-12 SCREW M3 X 0.5 X 12MM PAN MCH SEMS-ETLW PH STL BLKZC
- Z13 0020065-12 SCREW M3 X 0.5 X 12MM PAN MCH SEMS-ETLW PH STL BLKZC
- Z14 0020065-12 SCREW M3 X 0.5 X 12MM PAN MCH SEMS-ETLW PH STL BLKZC
- Z15 0020065-12 SCREW M3 X 0.5 X 12MM PAN MCH SEMS-ETLW PH STL BLKZC

- Z16 410-003-00 INSL SILPAD K6 W/ADHESIVE QTY A/R (PER ASSY DWG: 40MM 2X)

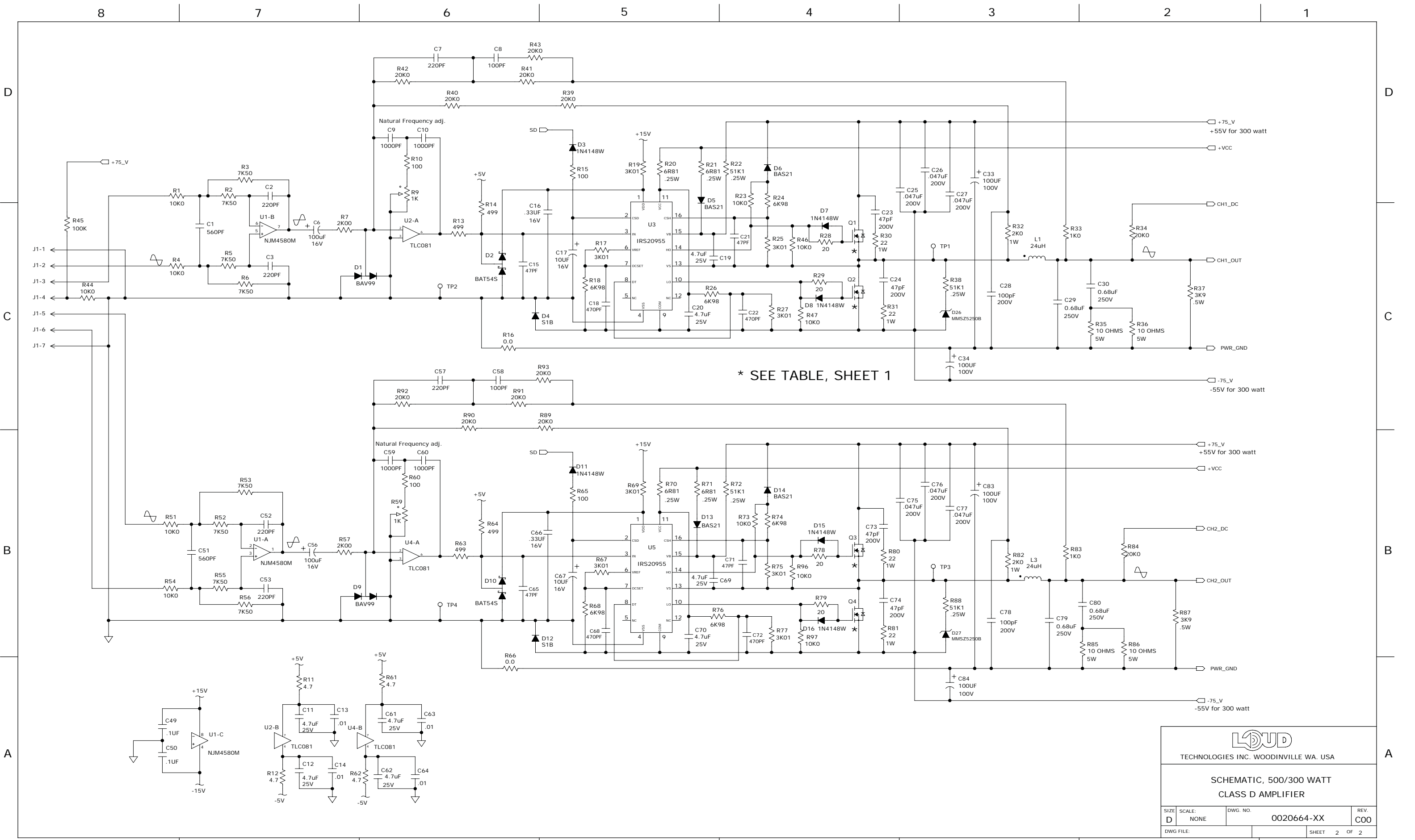
- Z20 0022831 EXTRUSION MACHINED HEATSINK - POWERED MIXERS
- Z21 0022832 BRACKET TRANSISTOR MOUNTING - POWERED MIXERS

- Z22 0020075-08 SCREW M3.5 X 0.6 X 8MM PAN MCH SEMS-HSLW PH STL CLRZC
- Z23 0020075-08 SCREW M3.5 X 0.6 X 8MM PAN MCH SEMS-HSLW PH STL CLRZC
- Z24 0020075-08 SCREW M3.5 X 0.6 X 8MM PAN MCH SEMS-HSLW PH STL CLRZC
- Z25 0020075-08 SCREW M3.5 X 0.6 X 8MM PAN MCH SEMS-HSLW PH STL CLRZC

- Z26 0021206 TIE WRAP 4.5" LG
- Z27 0021206 TIE WRAP 4.5" LG

APPROVALS	DATE	<p>LOUD Technologies Inc. 16220 WOOD-RED RD NE WOODINVILLE, WA 98072</p>
DRAWN: RJ	3/05/2008	
CHECKED:		
MP ENG:		
MATERIAL:		
SCHEMATIC, 500/300 W CLASS D AMP CONNECTORS / PROTECTION		
MFG:		SIZE: D
MFG ENG:		SCALE: NONE
ISSUED:		DWG. NO. 0020664-XX
		REV. COO
		DWG FILE:
		SHEET 1 OF 2

© 2007 LOUD TECHNOLOGIES INC.
ALL RIGHTS RESERVED
THE INFORMATION CONTAINED HEREIN
IS PROPRIETARY AND CONFIDENTIAL
PROPERTY OF LOUD TECHNOLOGIES INC.



LOUD
TECHNOLOGIES INC. WOODINVILLE WA. USA

**SCHEMATIC, 500/300 WATT
CLASS D AMPLIFIER**

SIZE: D	SCALE: NONE	DWG. NO. 0020664-XX	REV. COO
DWG FILE:		SHEET 2 OF 2	