

7

6

5

4

3

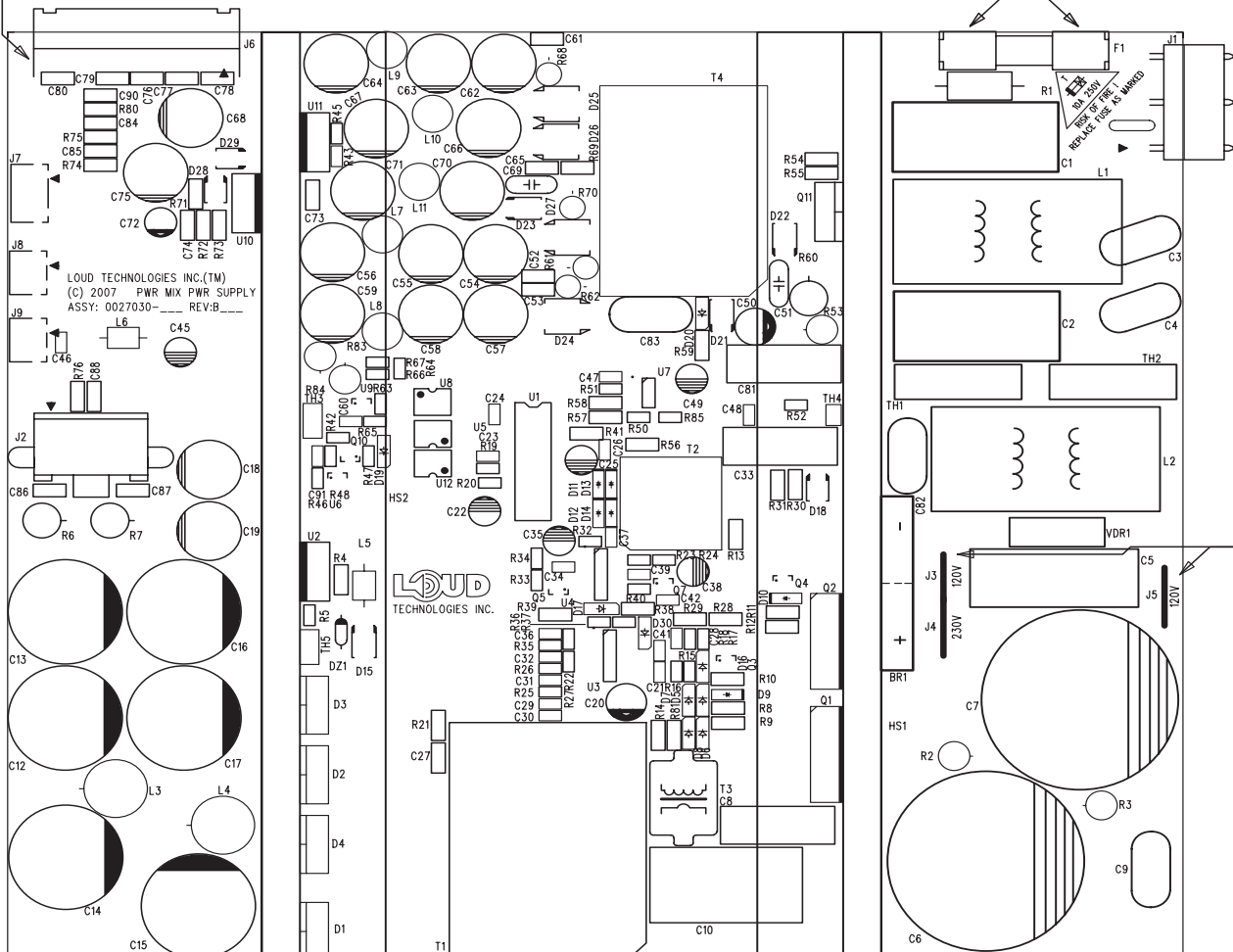
1

ASSEMBLY TOP

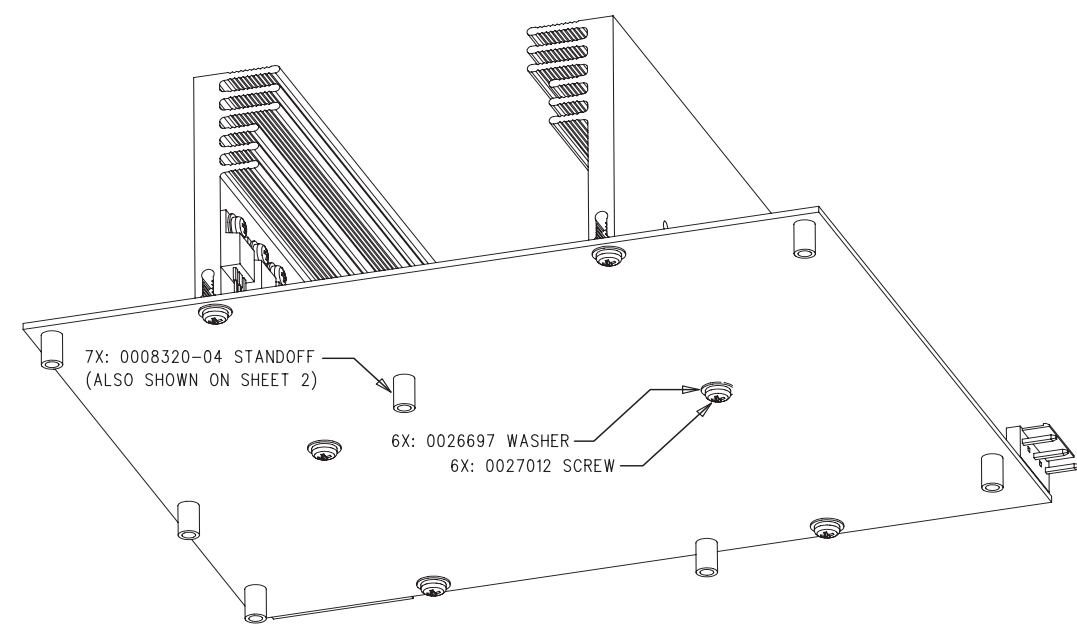
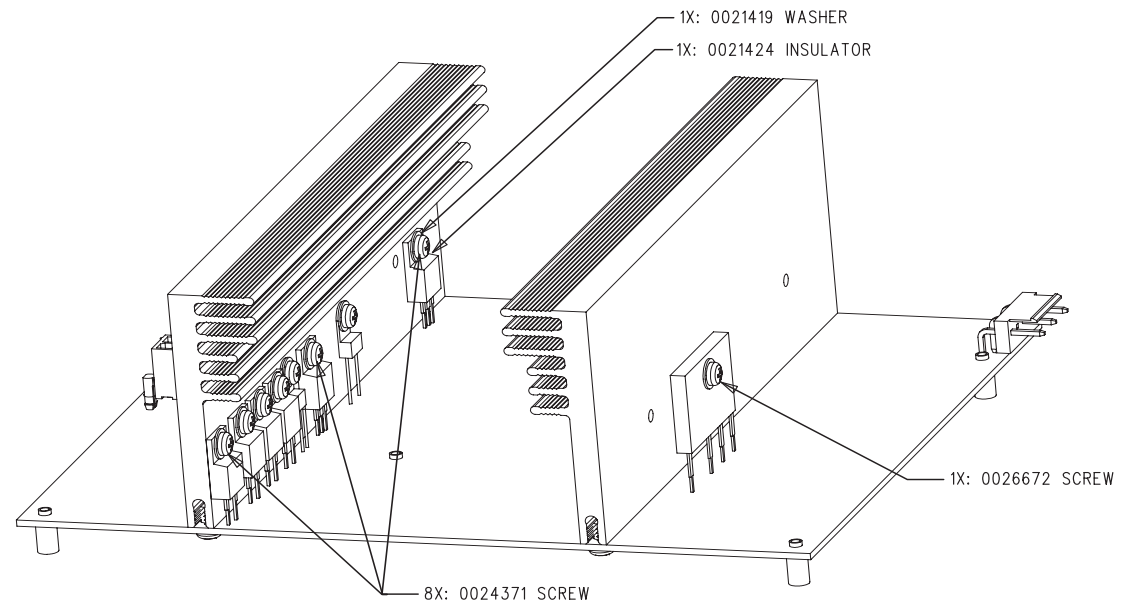
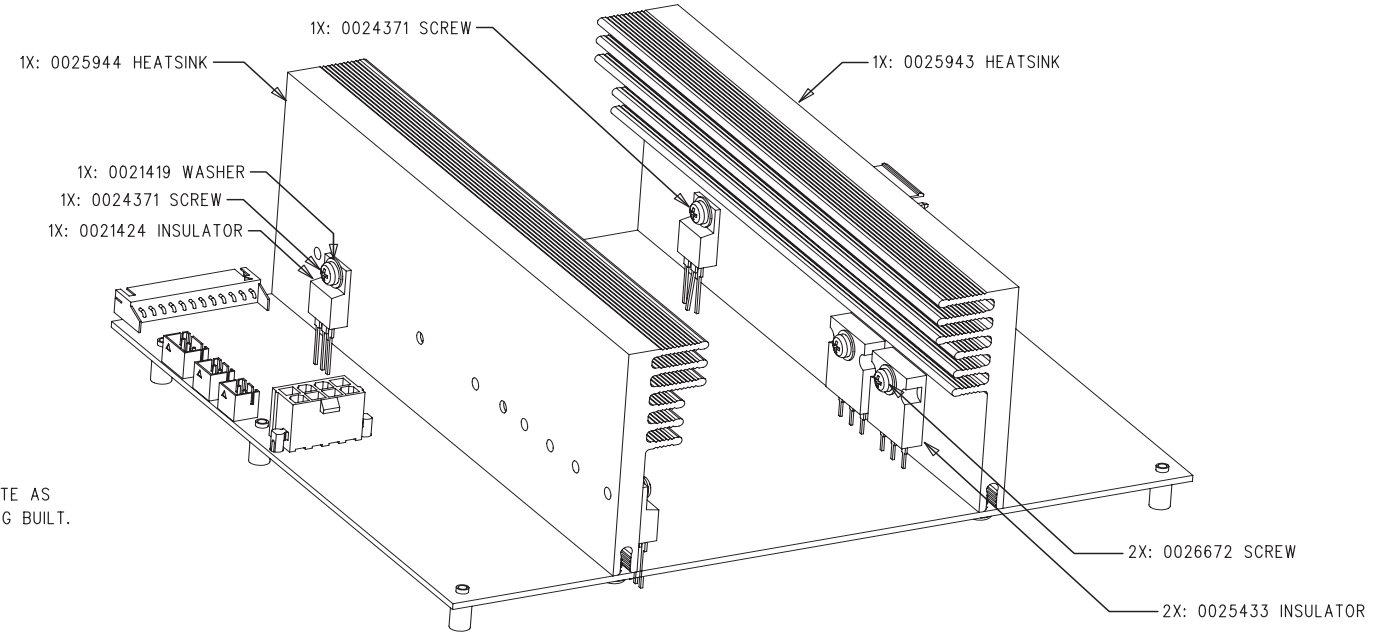
NOTE: USE THERMAL COMPOUND ON HEATSINK COMPONENTS PER STANDARD INDUSTRY PRACTICE.

STUFF 12 PIN CONNECTOR AS SHOWN, LEAVE THIS END PIN "OPEN"

2X: 0025343 FUSE CLIP



NOTE 3 JUMPER LOCATIONS, POPULATE AS NEEDED FOR VOLTAGE VERSION BEING BUILT.



VERSION TABLE	
-00	SMALL BOX 120V VERSION
-01	SMALL BOX 230V VERSION
-02	BIG BOX 120V VERSION
-03	BIG BOX 230V VERSION

UNLESS OTHERWISE SPECIFIED DIMENSIONS ARE IN INCHES. TOLERANCES ARE: FRACTIONS: DECIMALS: ANGLES: ± NA .XX ± NA ± NA .XXX ± NA	APPROVALS	DATE
	DRAWN:	
	CHECKED:	
	NP ENGINEERING:	
	MATERIAL:	
FINISH:	MANUFACTURING:	
	MFG ENGINEERING:	
DO NOT SCALE DRAWING	ISSUED:	

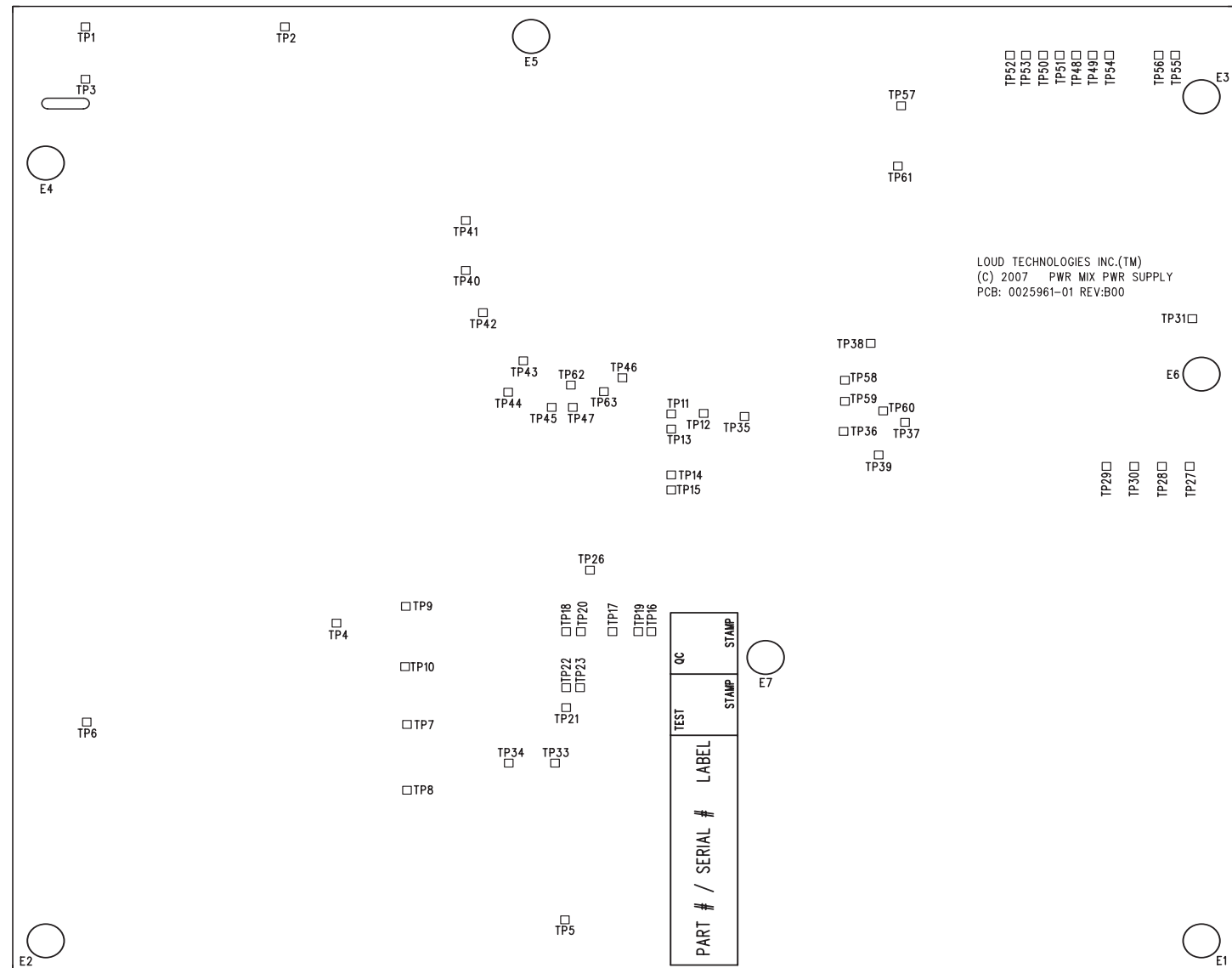


PCB ASSY, PWR MIX PWR SUPPLY

SIZE	SCALE:	DWG. NO.	REV.
		0027030-XX	BXX
DWG. FILE:		SHEET 1 OF 2	

©2007 LOUD TECHNOLOGIES INC.
ALL RIGHTS RESERVED
THE INFORMATION CONTAINED HEREIN IS PROPRIETARY AND CONFIDENTIAL PROPERTY OF LOUD TECHNOLOGIES INC.

ASSEMBLY BOTTOM

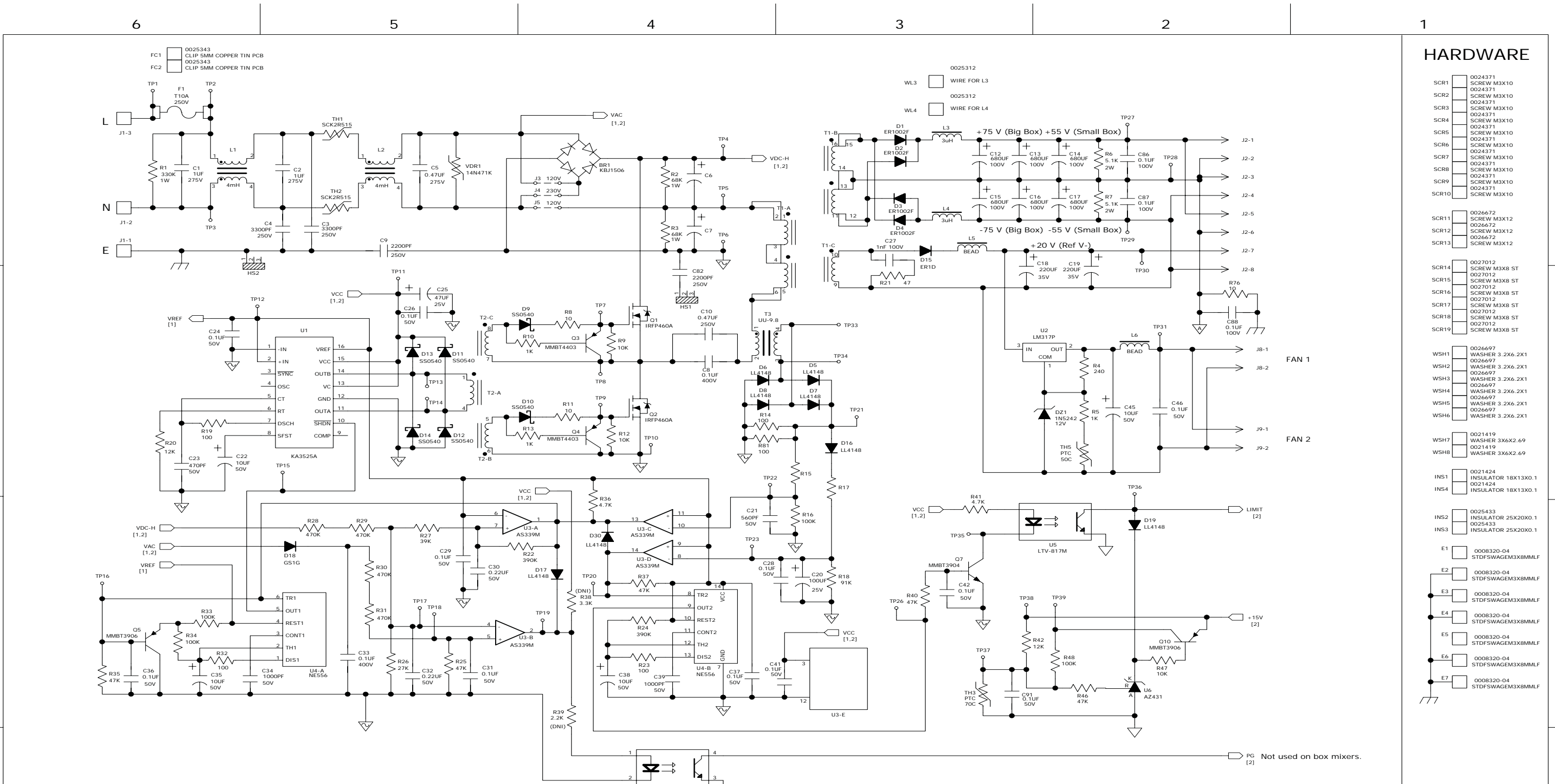


LOUD TECHNOLOGIES INC.(TM)
(C) 2007 PWR MIX PWR SUPPLY
PCB: 0025961-01 REV:B00

LOUD TECHNOLOGIES INC. 0025961-01 REV:B00
SILKSCREEN BOTTOM

©2007 LOUD TECHNOLOGIES INC.
ALL RIGHTS RESERVED
THE INFORMATION CONTAINED HEREIN
IS PROPRIETARY AND CONFIDENTIAL
PROPERTY OF LOUD TECHNOLOGIES INC.

UNLESS OTHERWISE SPECIFIED DIMENSIONS ARE IN INCHES TOLERANCES ARE: FRACTIONS: DECIMALS: ANGLES: ± NA .XX ± NA ± NA .XXX ± NA	APPROVALS	DATE	LOUD Technologies Inc. 16220 WOOD-RED RD NE WOODINVILLE, WA 98072
	DRAWN:		
	CHECKED:		
	MP ENGINEERING:		
	MATERIAL:		
FINISH:			PCB ASSY, PWR MIX PWR SUPPLY
DO NOT SCALE DRAWING	ISSUED:		SIZE SCALE: DWG. NO. 0027030-XX REV. BXX DWG FILE: SHEET 2 OF 2



HARDWARE

- SCR1 0024371 SCREW M3X10
- SCR2 0024371 SCREW M3X10
- SCR3 0024371 SCREW M3X10
- SCR4 0024371 SCREW M3X10
- SCR5 0024371 SCREW M3X10
- SCR6 0024371 SCREW M3X10
- SCR7 0024371 SCREW M3X10
- SCR8 0024371 SCREW M3X10
- SCR9 0024371 SCREW M3X10
- SCR10 0024371 SCREW M3X10

- SCR11 0026672 SCREW M3X12
- SCR12 0026672 SCREW M3X12
- SCR13 0026672 SCREW M3X12

- SCR14 0027012 SCREW M3X8 ST
- SCR15 0027012 SCREW M3X8 ST
- SCR16 0027012 SCREW M3X8 ST
- SCR17 0027012 SCREW M3X8 ST
- SCR18 0027012 SCREW M3X8 ST
- SCR19 0027012 SCREW M3X8 ST

- WSH1 0026697 WASHER 3.2X6.2X1
- WSH2 0026697 WASHER 3.2X6.2X1
- WSH3 0026697 WASHER 3.2X6.2X1
- WSH4 0026697 WASHER 3.2X6.2X1
- WSH5 0026697 WASHER 3.2X6.2X1
- WSH6 0026697 WASHER 3.2X6.2X1

- WSH7 0021419 WASHER 3X6X2.69
- WSH8 0021419 WASHER 3X6X2.69

- INS1 0021424 INSULATOR 18X13X0.1
- INS4 0021424 INSULATOR 18X13X0.1

- INS2 0025433 INSULATOR 25X20X0.1
- INS3 0025433 INSULATOR 25X20X0.1

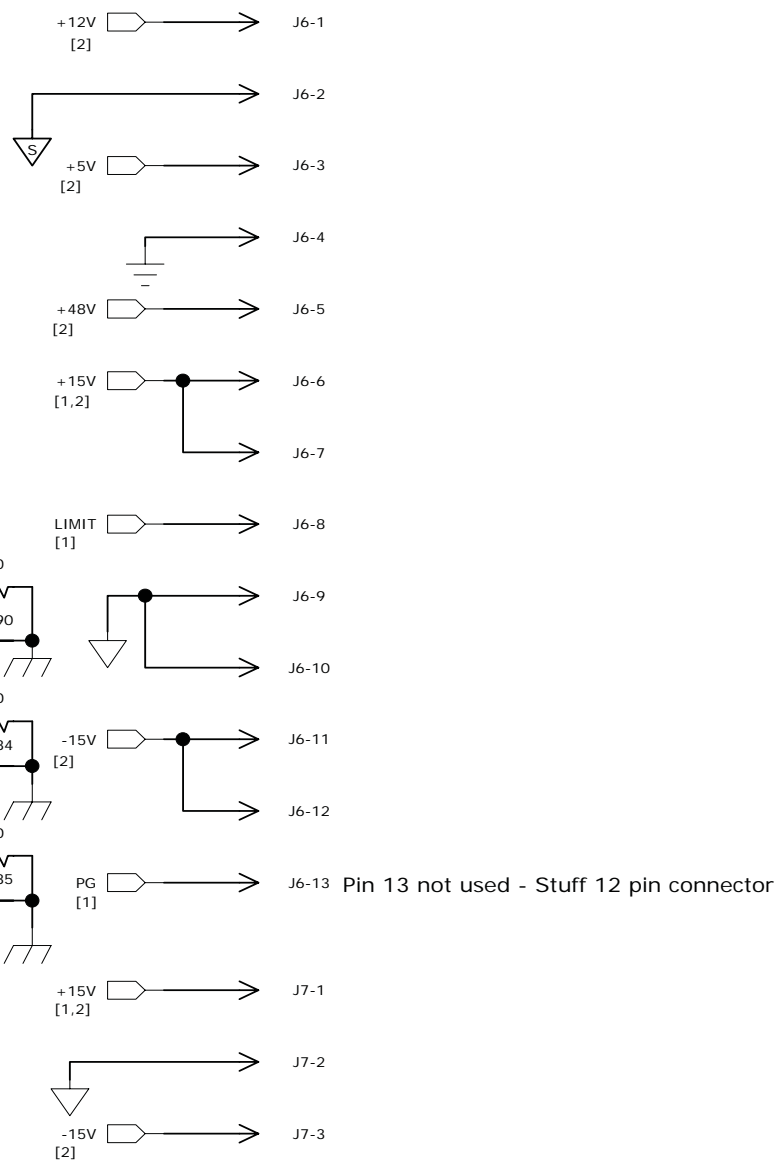
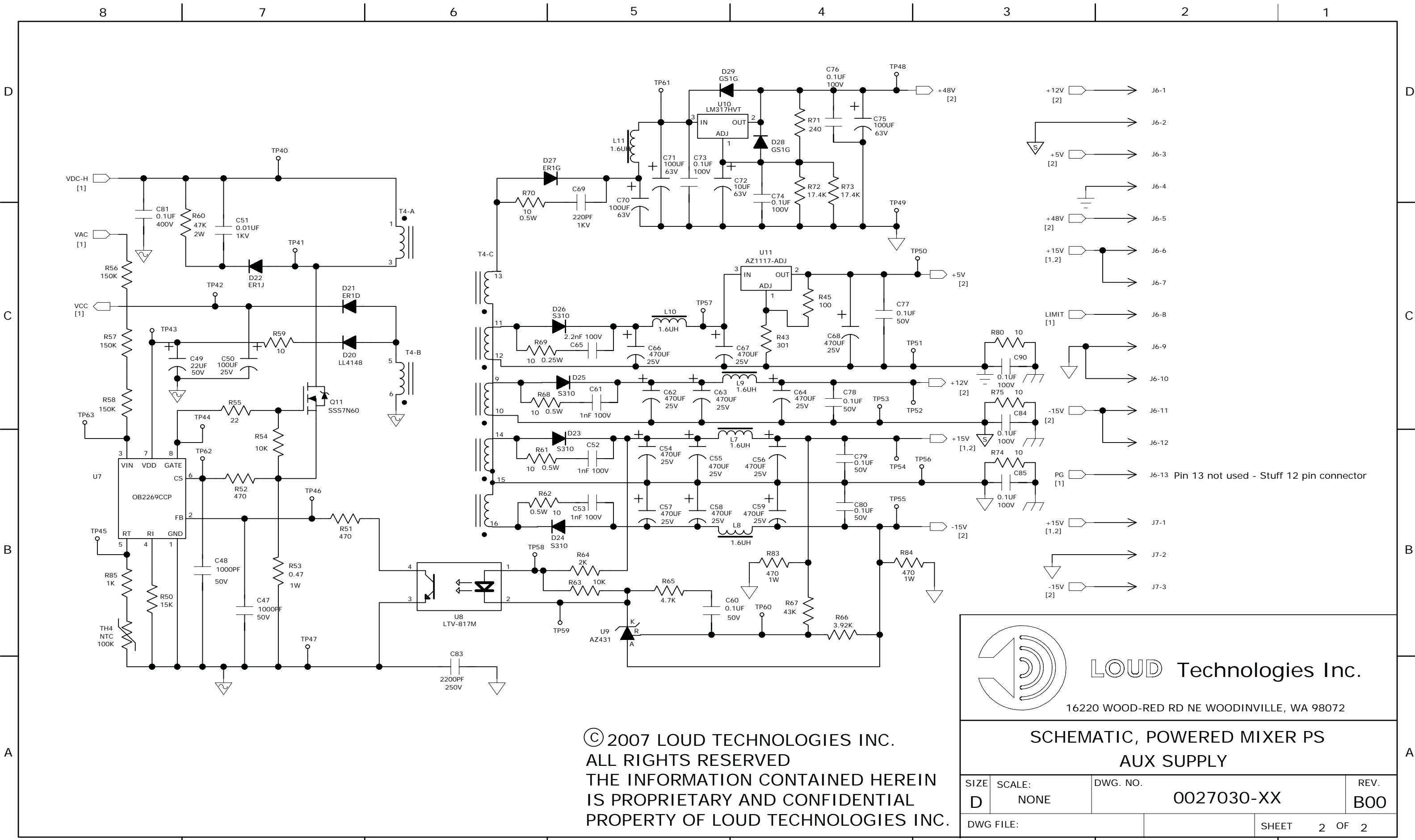
- E1 0008320-04 STDFS WAGEM3X8MMLF
- E2 0008320-04 STDFS WAGEM3X8MMLF
- E3 0008320-04 STDFS WAGEM3X8MMLF
- E4 0008320-04 STDFS WAGEM3X8MMLF
- E5 0008320-04 STDFS WAGEM3X8MMLF
- E6 0008320-04 STDFS WAGEM3X8MMLF
- E7 0008320-04 STDFS WAGEM3X8MMLF

© 2007 LOUD TECHNOLOGIES INC.
 ALL RIGHTS RESERVED
 THE INFORMATION CONTAINED HEREIN
 IS PROPRIETARY AND CONFIDENTIAL
 PROPERTY OF LOUD TECHNOLOGIES INC.

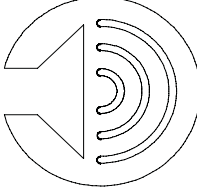
APPROVALS	DATE
DRAWN: RJ	10/25/07
CHECKED:	
NP ENG:	
MATERIAL:	
MFG:	
MFG ENG:	
ISSUED:	

LOUD Technologies Inc.
 16220 WOOD-RED RD NE WOODINVILLE, WA 98072

SCHEMATIC, POWERED MIXER PS MAIN SUPPLY			
SIZE	SCALE:	DWG. NO.	REV.
D	NONE	0027030-XX	BO0
DWG FILE:		SHEET 1 OF 2	



© 2007 LOUD TECHNOLOGIES INC.
 ALL RIGHTS RESERVED
 THE INFORMATION CONTAINED HEREIN
 IS PROPRIETARY AND CONFIDENTIAL
 PROPERTY OF LOUD TECHNOLOGIES INC.



LOUD Technologies Inc.
 16220 WOOD-RED RD NE WOODINVILLE, WA 98072

**SCHEMATIC, POWERED MIXER PS
 AUX SUPPLY**

SIZE	SCALE:	DWG. NO.	REV.
D	NONE	0027030-XX	B00
DWG FILE:		SHEET	2 OF 2