

- 0012143-07  BTN99 RND BUTTON CAP (7MM) CONTROL GRAY TOP WHITE BOTTOM
- 0009210-05  BTN9 Long Shaft SM RECTANGLE BUTTON 5x7mm "GUITAR" (SYMBOL)
- 0008793-06  BTN30 SM RECTANGLE BUTTON 5X7mm CONTROL GREY "48V"
- 0008793-03  BTN11 SM RECTANGLE BUTTON 5X7mm CONTROL GREY
- 0008793-03  BTN12
- 0008793-03  BTN13
- 0008793-03  BTN14
- 0008794-06  BTN43 MED RECTANGLE BUTTON 11.5 x 8.5 mm "MUTE" CONTROL GREY
- 0008794-06  BTN50
- 0008794-06  BTN51
- 0008794-06  BTN46
- 0008794-06  BTN47
- 0008794-06  BTN48
- 0008793-09  BTN1 SM RECTANGLE BUTTON 5X7mm CONTROL GREY "LOW CUT" (SYMBOL)
- 0008793-09  BTN2
- 0008793-09  BTN3
- 0008793-09  BTN4
- 0008320-01  S01 STDF SWAGE M3 X 13.8MM 4.7 DIA
- 0008320-01  S02
- 0008320-01  S03
- 0008320-01  S06
- 0008320-01  S07
- 0008320-01  S08
- 0008320-01  S09
- 0008320-01  S010
- 0008320-01  S011
- 0008320-01  S012
- 0008320-01  S013
- 0008320-05  S015 STDF SWAGE M3 X 7MM 4.7 DIA
- 0008320-05  S016
- 0008320-05  S017
- 0032816-04  PCB1 PCB, PROFX8/ MAIN
- 0032817-XX  SCH1 SCHEMATIC PCB ASSY PROFX8 MAIN BOARD
- 660-005-00  JMP1 CBL 22GA JUMPER WIRE

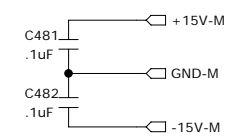
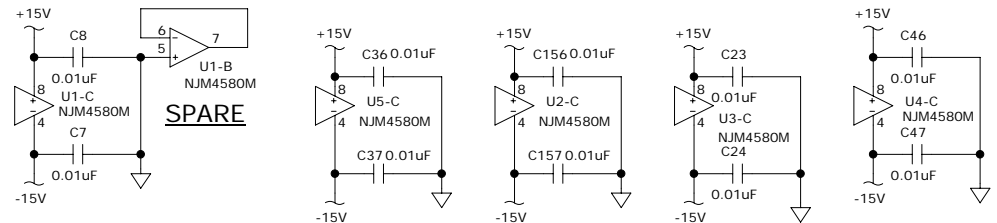
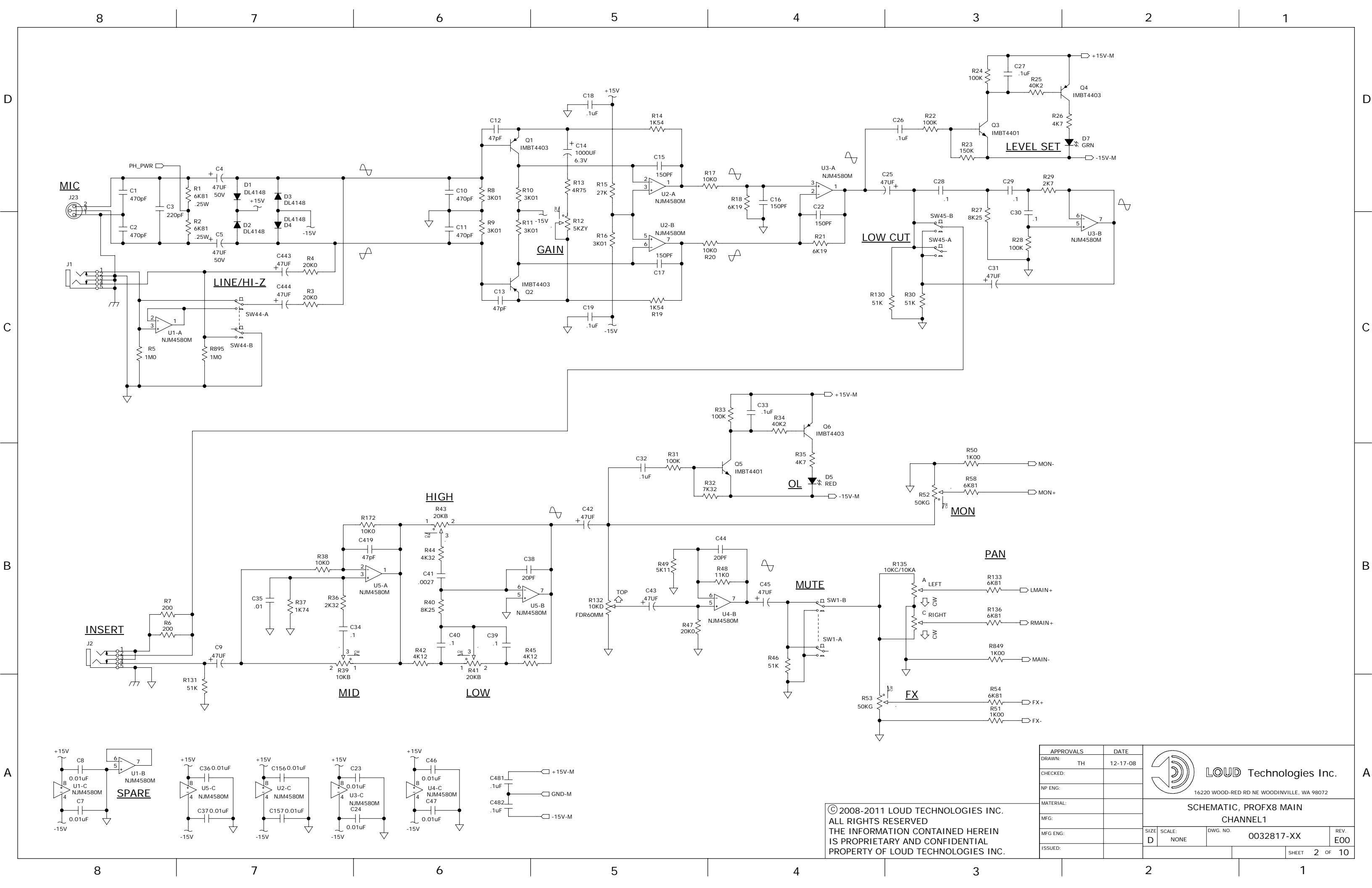
© 2008-2011 LOUD TECHNOLOGIES INC.  
 ALL RIGHTS RESERVED  
 THE INFORMATION CONTAINED HEREIN  
 IS PROPRIETARY AND CONFIDENTIAL  
 PROPERTY OF LOUD TECHNOLOGIES INC.

APPROVALS		DATE
DRAWN:	TH	12-17-08
CHECKED:		
NP ENG:		
MATERIAL:		
MFG:		
MFG ENG:		
ISSUED:		

16220 WOOD-RED RD NE WOODINVILLE, WA 98072

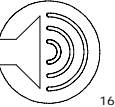
**SCHMATIC, PROFX8 MAIN INTERCONNECT**

SIZE: D	SCALE: NONE	DWG. NO. 0032817-XX	REV. E00
SHEET 1 OF 10			



© 2008-2011 LOUD TECHNOLOGIES INC.  
 ALL RIGHTS RESERVED  
 THE INFORMATION CONTAINED HEREIN  
 IS PROPRIETARY AND CONFIDENTIAL  
 PROPERTY OF LOUD TECHNOLOGIES INC.

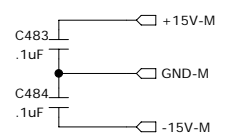
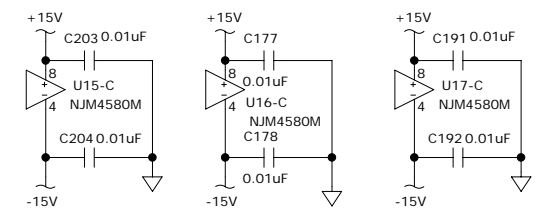
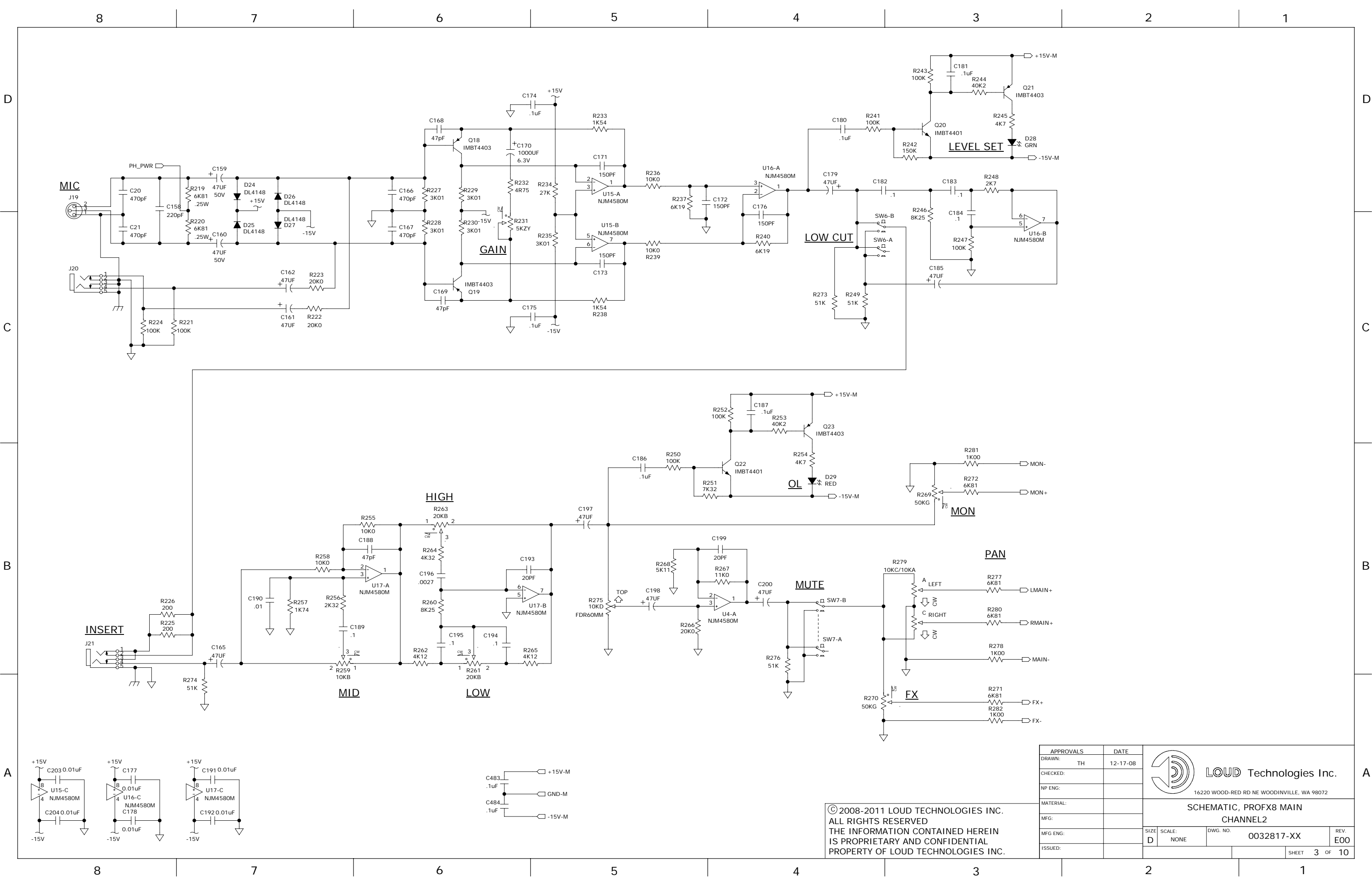
APPROVALS	DATE
DRAWN: TH	12-17-08
CHECKED:	
NP ENG:	
MATERIAL:	
MFG:	
MFG ENG:	
ISSUED:	



**LOUD Technologies Inc.**  
 16220 WOOD-RED RD NE WOODINVILLE, WA 98072

**SCHEMATIC, PROFX8 MAIN CHANNEL1**

SIZE: D	SCALE: NONE	DWG. NO.: 0032817-XX	REV. E00
SHEET 2 OF 10			

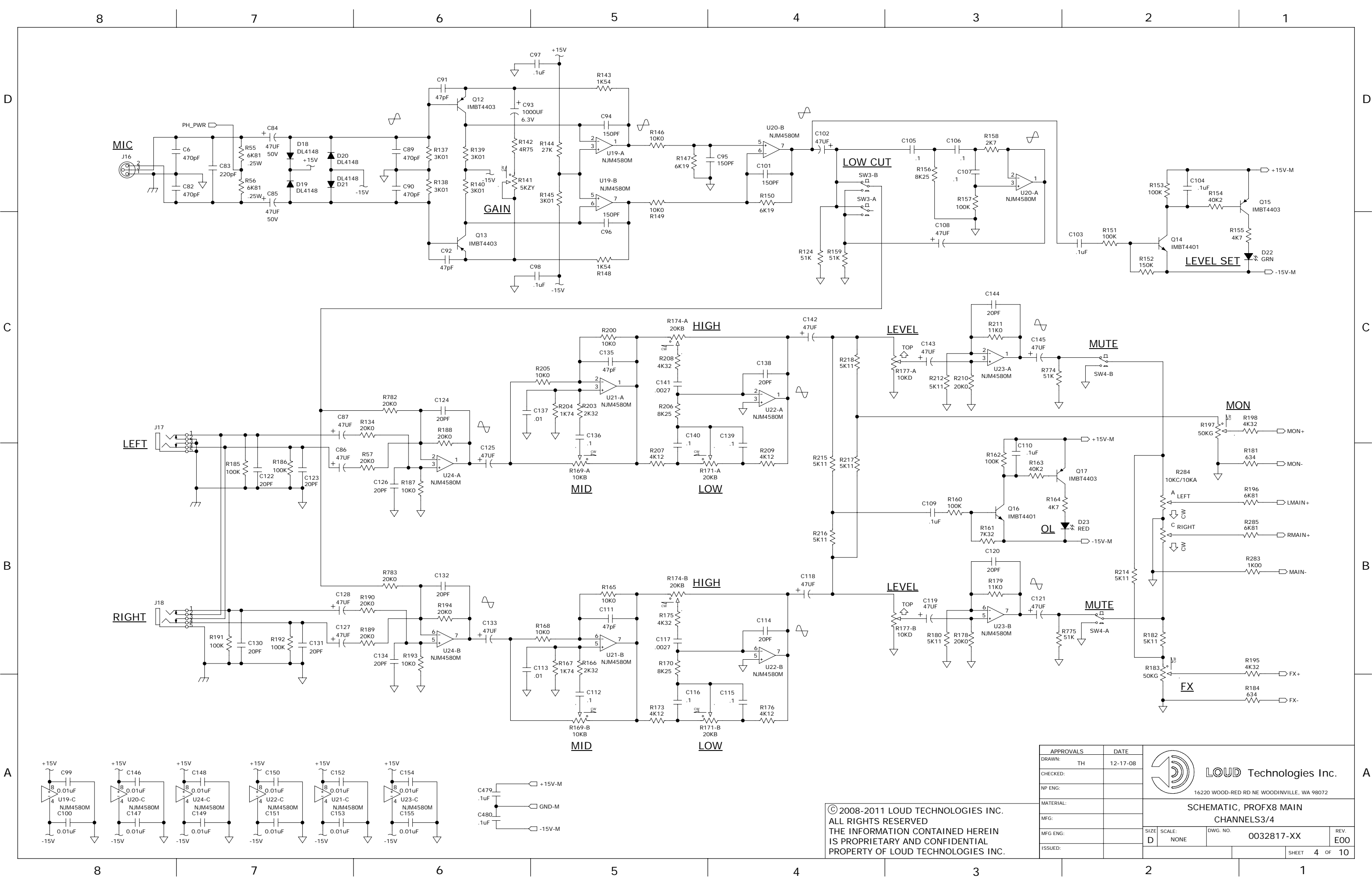


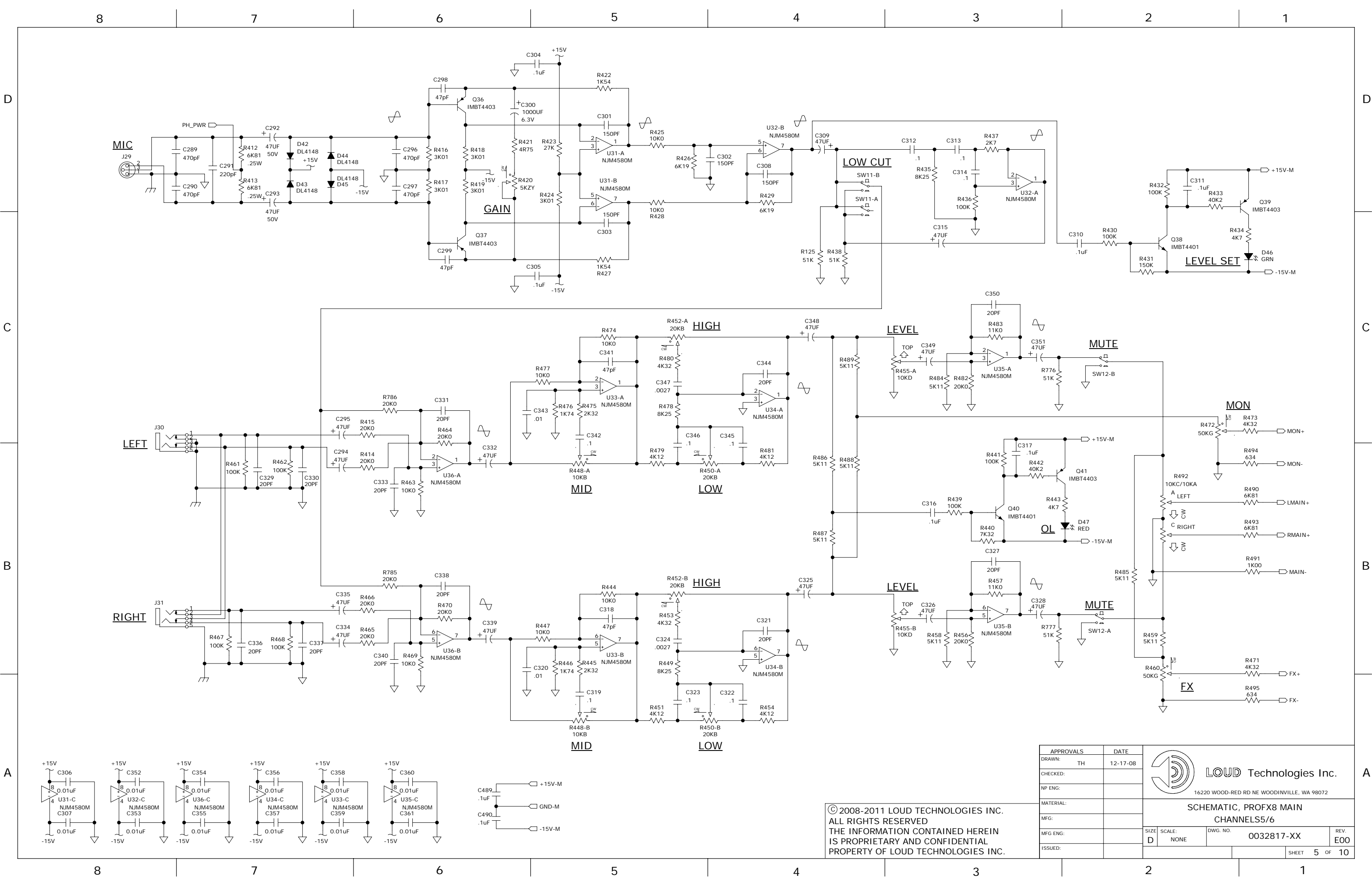
APPROVALS	DATE
DRAWN: TH	12-17-08
CHECKED:	
NP ENG:	
MATERIAL:	
MFG:	
MFG ENG:	
ISSUED:	

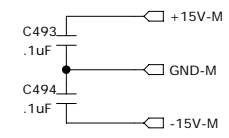
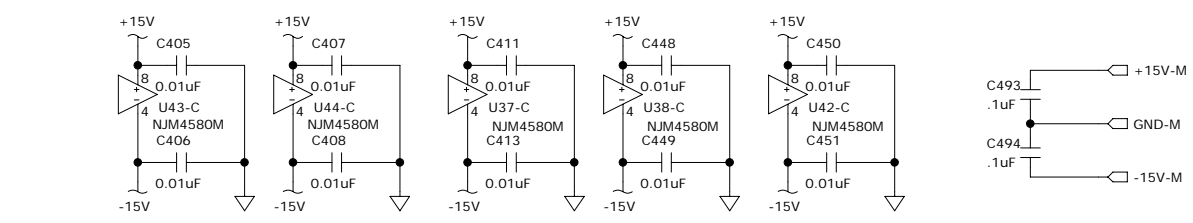
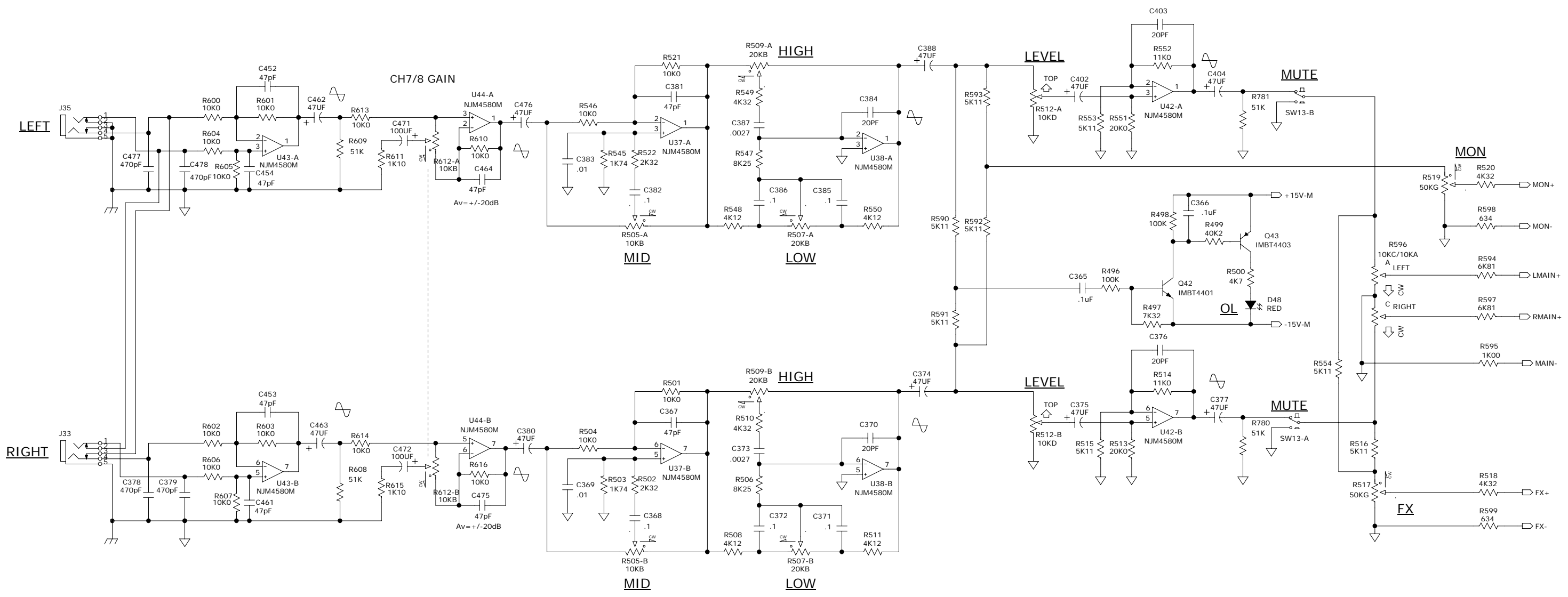


© 2008-2011 LOUD TECHNOLOGIES INC.  
 ALL RIGHTS RESERVED  
 THE INFORMATION CONTAINED HEREIN  
 IS PROPRIETARY AND CONFIDENTIAL  
 PROPERTY OF LOUD TECHNOLOGIES INC.

SCHEMATIC, PROFX8 MAIN CHANNEL2		REV. E00
SIZE: D	SCALE: NONE	DWG. NO. 0032817-XX
SHEET 3 OF 10		





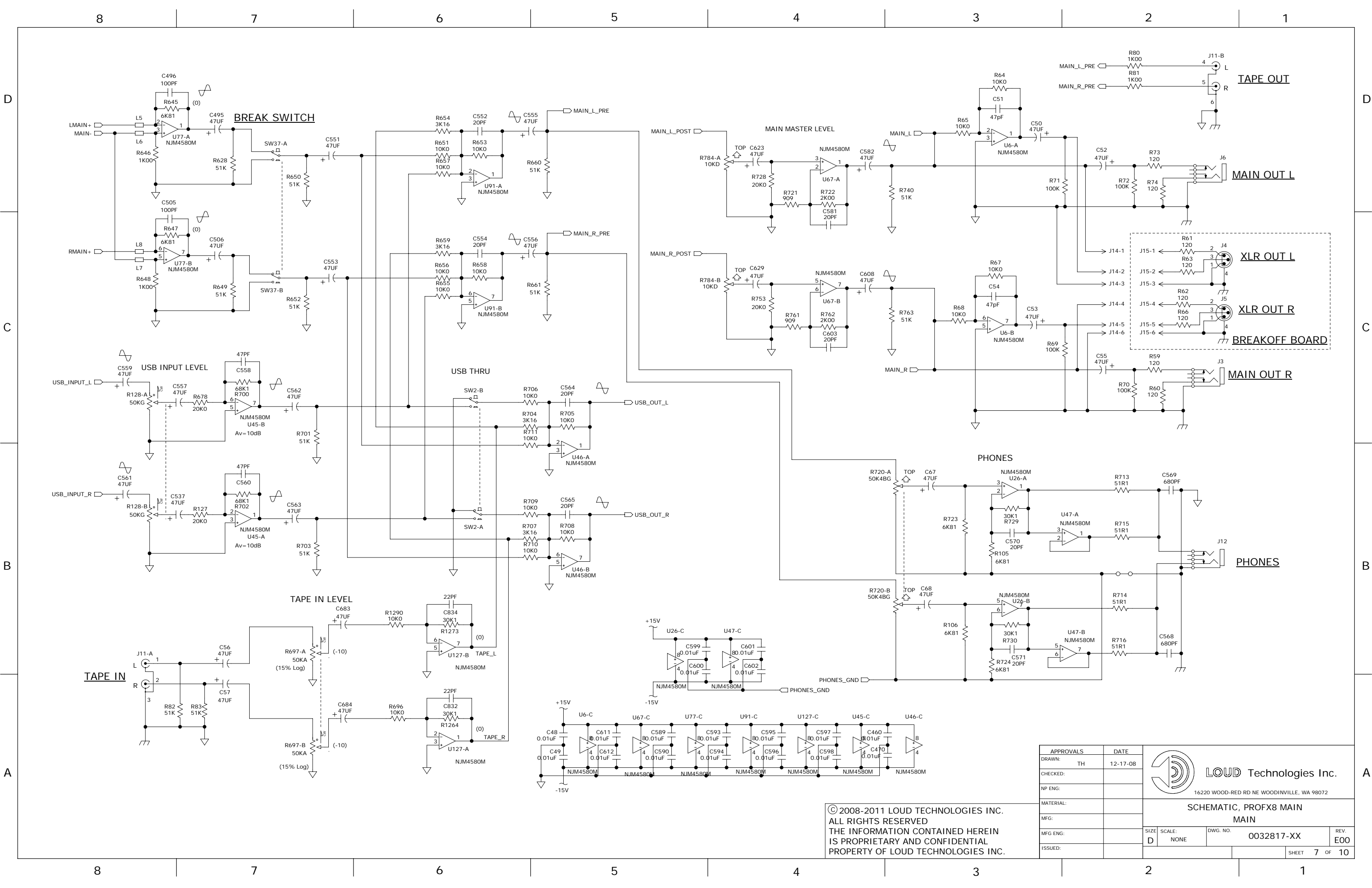


APPROVALS	DATE
DRAWN: TH	12-17-08
CHECKED:	
NP ENG:	
MATERIAL:	
MFG:	
MFG ENG:	
ISSUED:	




SHEETS		SHEETS	
		6	10
SIZE	SCALE: NONE	DWG. NO.	REV. E00
D		0032817-XX	

© 2008-2011 LOUD TECHNOLOGIES INC.  
 ALL RIGHTS RESERVED  
 THE INFORMATION CONTAINED HEREIN  
 IS PROPRIETARY AND CONFIDENTIAL  
 PROPERTY OF LOUD TECHNOLOGIES INC.

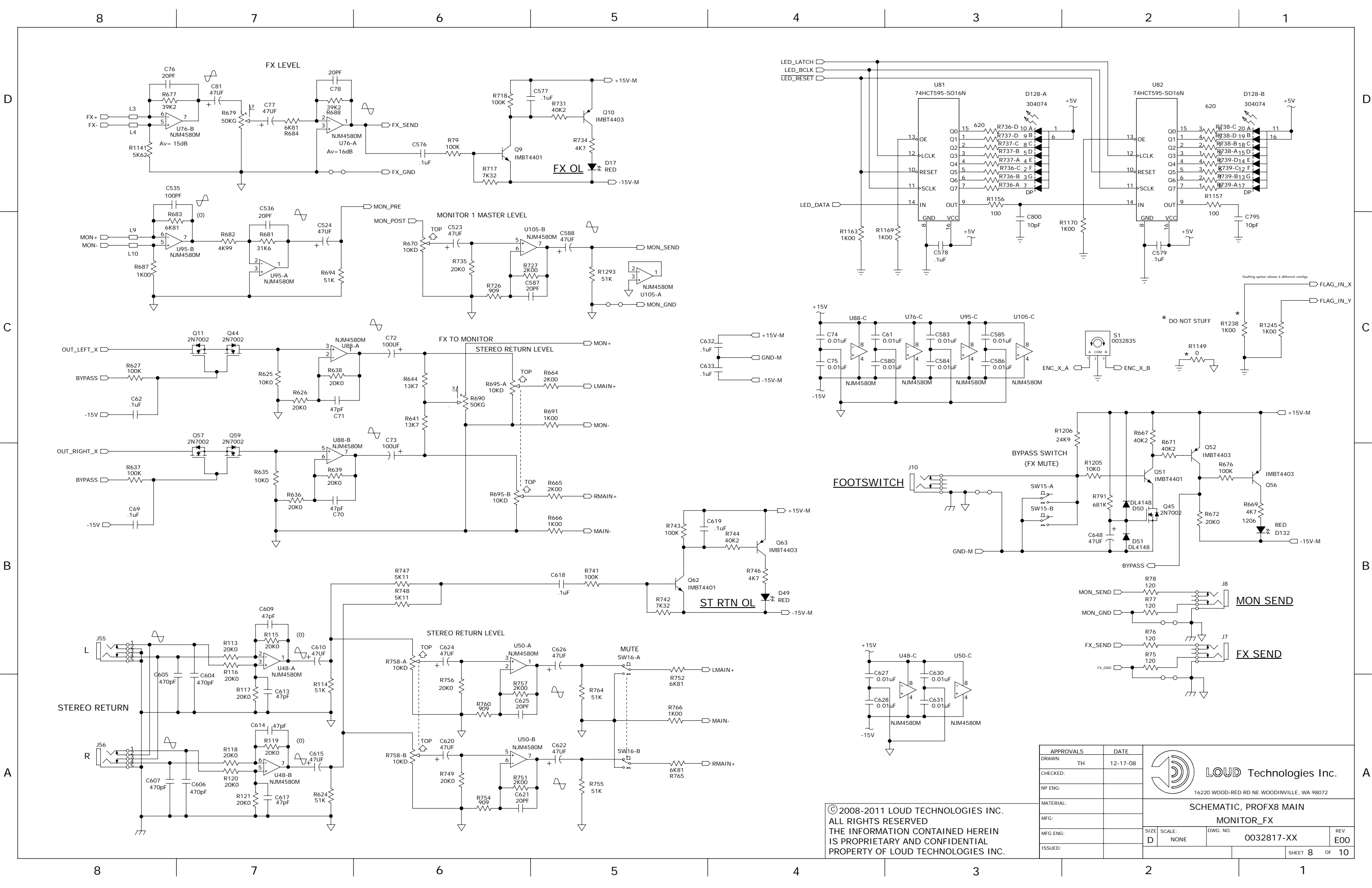



APPROVALS		DATE
DRAWN:	TH	12-17-08
CHECKED:		
NP ENG:		
MATERIAL:		
MFG:		
MFG ENG:		
ISSUED:		

 <b>LOUD Technologies Inc.</b> 16220 WOOD-RED RD NE WOODINVILLE, WA 98072		<b>SCHMATIC, PROFX8 MAIN</b> <b>MAIN</b>	
		SIZE: D SCALE: NONE DWG. NO.: 0032817-XX REV. E00	SHEET 7 OF 10

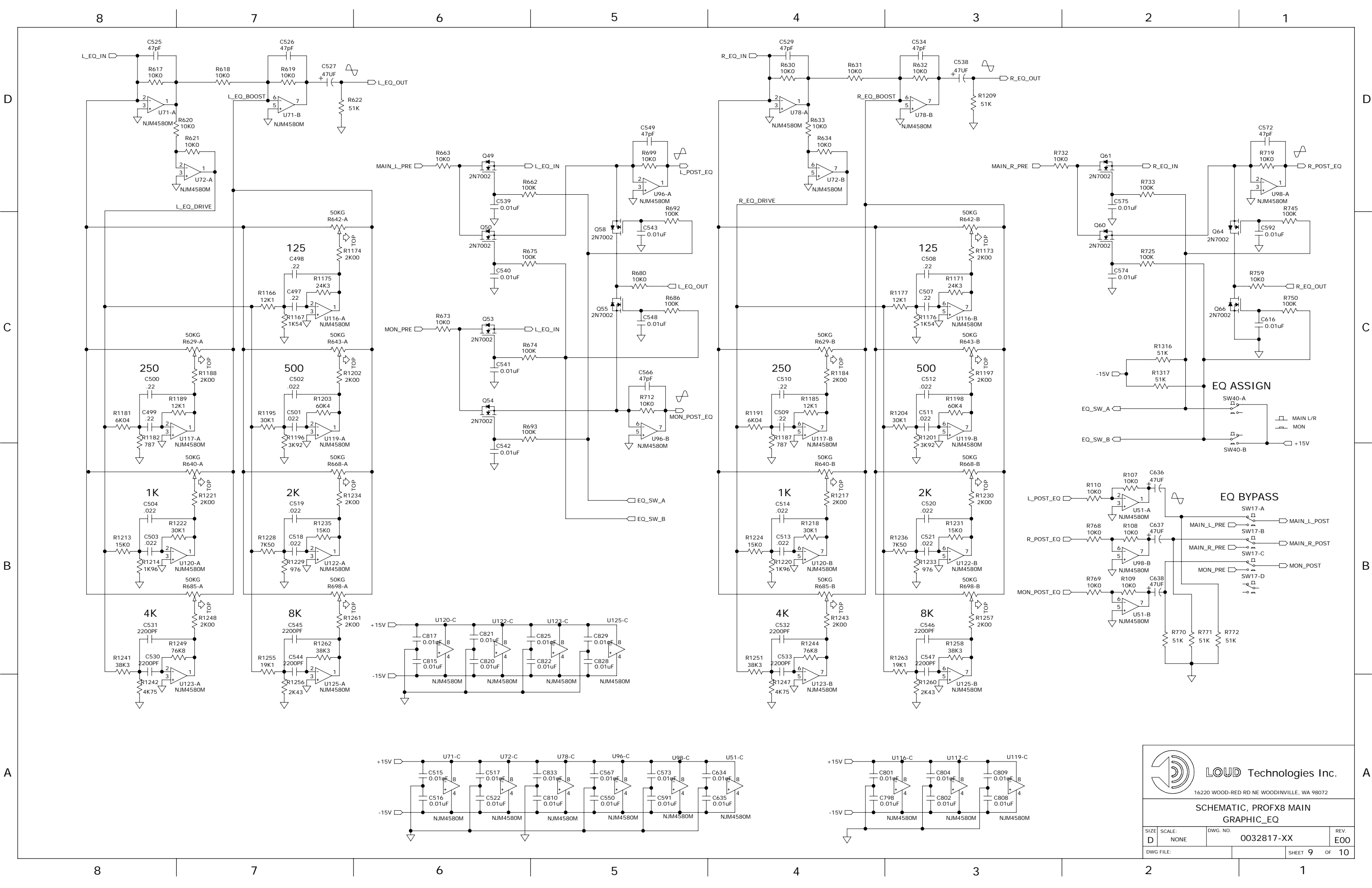
© 2008-2011 LOUD TECHNOLOGIES INC.  
 ALL RIGHTS RESERVED  
 THE INFORMATION CONTAINED HEREIN  
 IS PROPRIETARY AND CONFIDENTIAL  
 PROPERTY OF LOUD TECHNOLOGIES INC.



APPROVALS	DATE	 <b>LOUD Technologies Inc.</b> 16220 WOOD-RED RD NE WOODINVILLE, WA 98072
DRAWN: TH	12-17-08	
CHECKED:		
MP ENG:		
MATERIAL:		
MFG:		
MFG ENG:		<b>SCHEMATIC, PROFX8 MAIN</b> <b>MONITOR_FX</b>
ISSUED:		SIZE: D    SCALE: NONE    DWG. NO.: 0032817-XX    REV. E00
		SHEET 8 OF 10

© 2008-2011 LOUD TECHNOLOGIES INC.  
 ALL RIGHTS RESERVED  
 THE INFORMATION CONTAINED HEREIN  
 IS PROPRIETARY AND CONFIDENTIAL  
 PROPERTY OF LOUD TECHNOLOGIES INC.

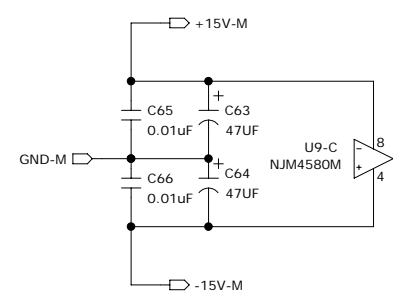
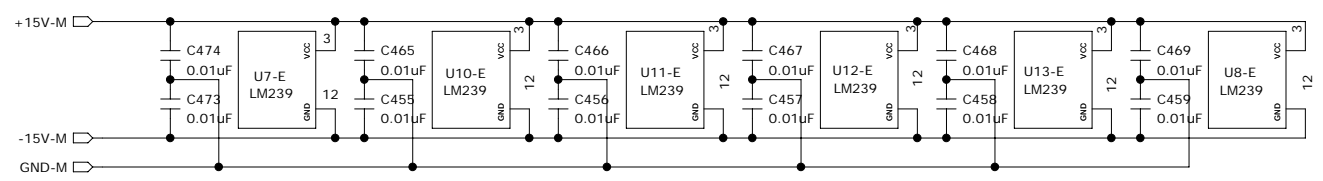
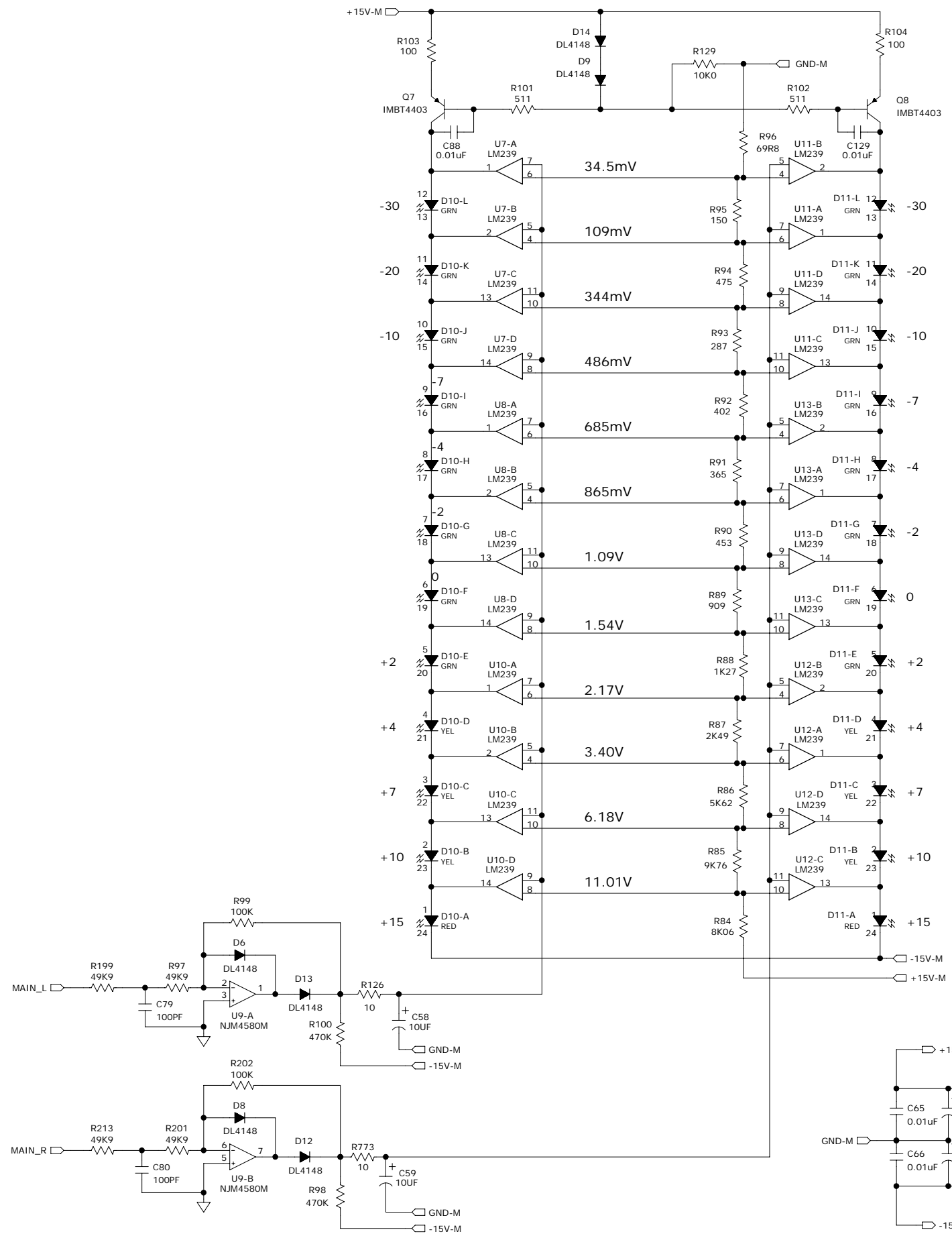





**LOUD Technologies Inc.**  
 16220 WOOD-RED RD NE WOODINVILLE, WA 98072

**SCHEMATIC, PROFX8 MAIN GRAPHIC\_EQ**

SIZE: D	SCALE: NONE	DWG. NO.: 0032817-XX	REV. E00
DWG. FILE:		SHEET 9 OF 10	



APPROVALS	DATE	 <b>LOUD Technologies Inc.</b> 16220 WOOD-RED RD NE WOODINVILLE, WA 98072
DRAWN: TH	12-17-08	
CHECKED:		<b>SCHEMATIC, PROFX8 MAIN METERS</b>
NP ENG:		
MATERIAL:		SIZE: D    SCALE: NONE    DWG. NO.: 0032817-XX    REV. E00
MFG:		SHEET 10 OF 10
MFG ENG:		
ISSUED:		

© 2008-2011 LOUD TECHNOLOGIES INC.  
 ALL RIGHTS RESERVED  
 THE INFORMATION CONTAINED HEREIN  
 IS PROPRIETARY AND CONFIDENTIAL  
 PROPERTY OF LOUD TECHNOLOGIES INC.