

| | | |
|---------------------------|-------------|-------|
| TITLE: PROMX 12 CHANNEL 2 | | |
| SIZE: C | DRAWING NO: | REV: |
| DATED: | SHEET: 2 | OF 11 |

D

D

CHANNEL 3

MIC IN

LINE IN

C

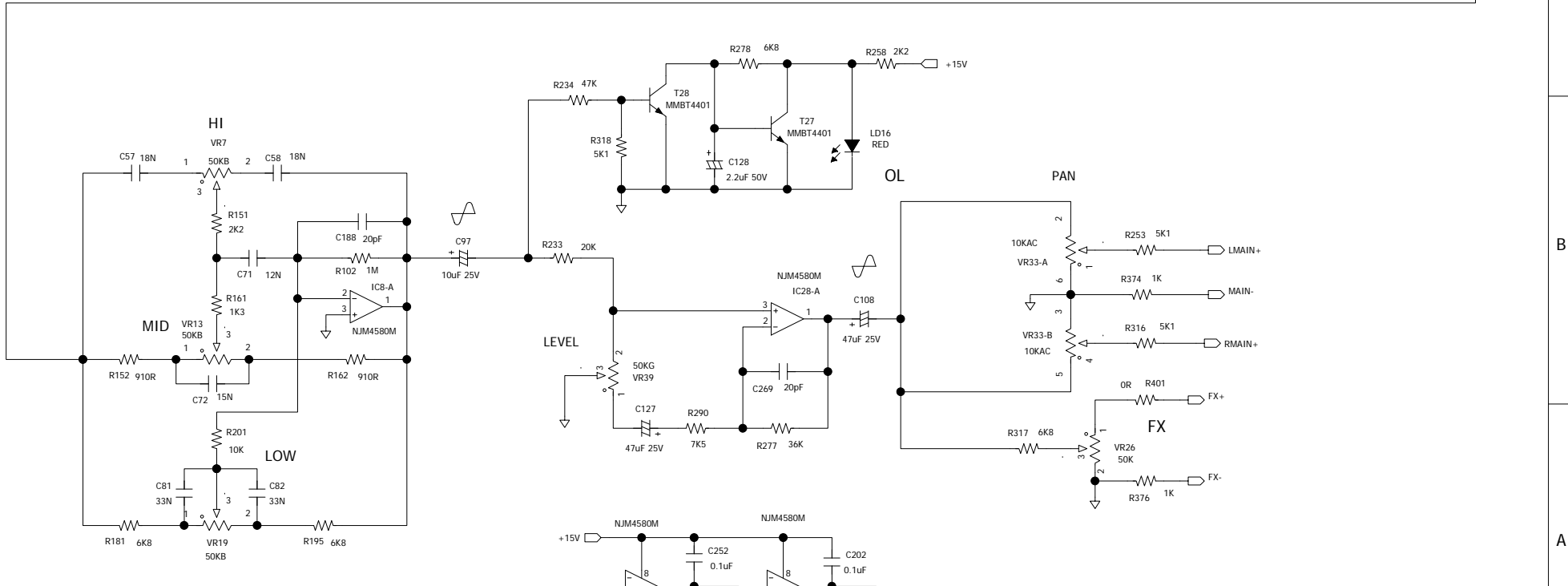
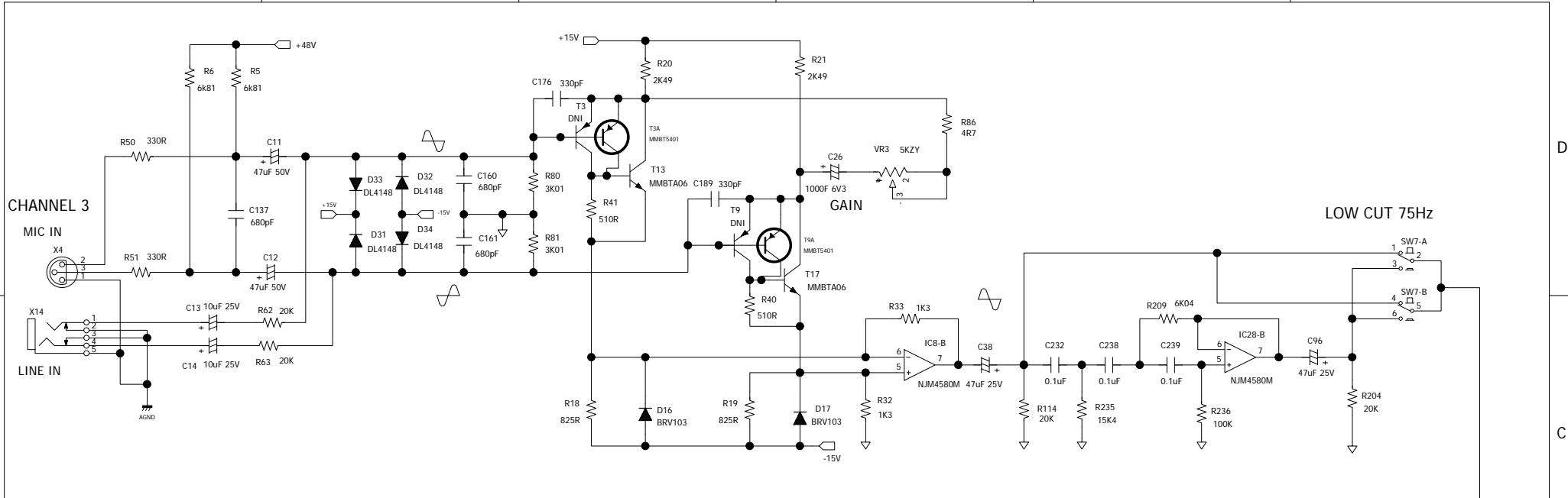
C

B

B

A

A



| | | |
|---------------------------|-------------|-------|
| TITLE: PROMX 12 CHANNEL 3 | | |
| SIZE: C | DRAWING NO: | REV: |
| DATED: | SHEET: 3 | OF 11 |

6

5

4

3

2

1

D

D

CHANNEL 4

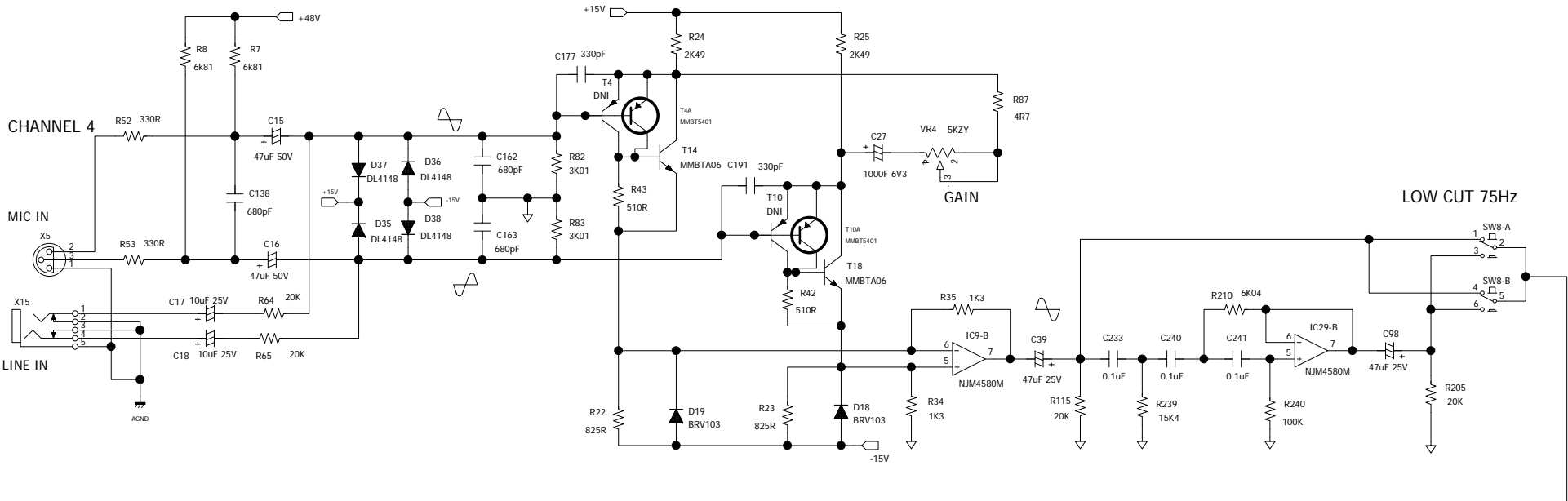
MIC IN

LINE IN

AGND

C

C



B

B

HI

MID

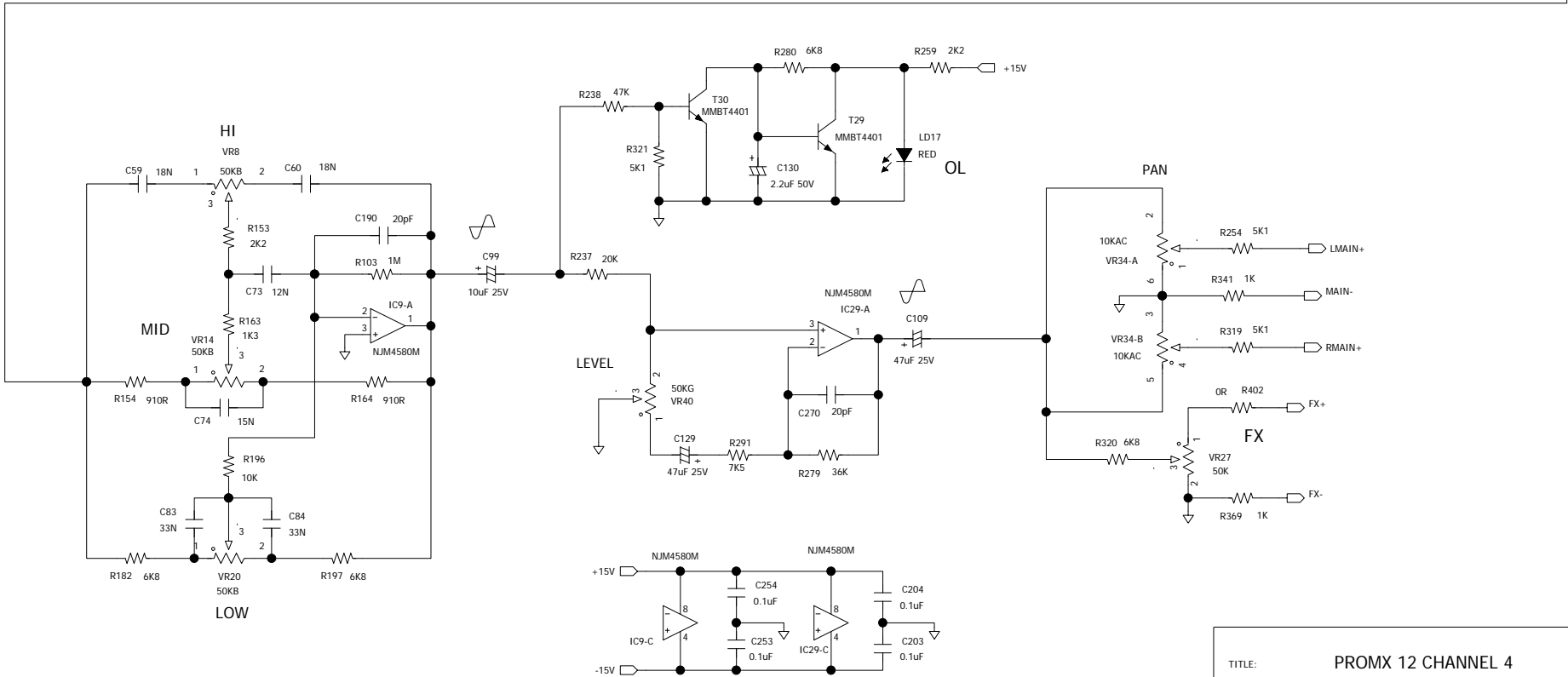
LOW

OL

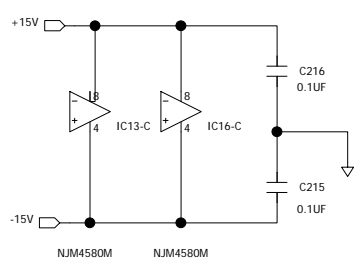
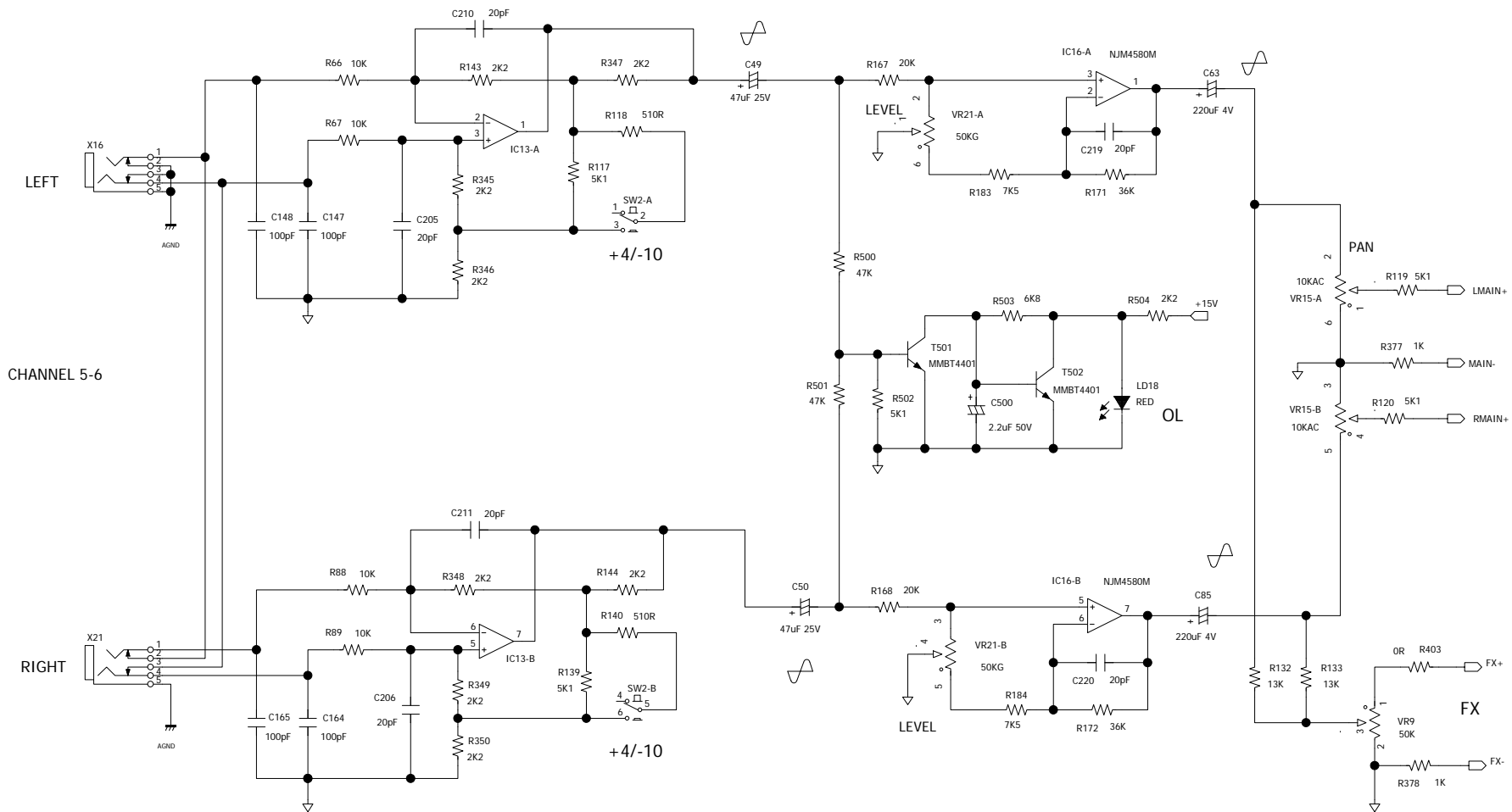
PAN

A

A



| | | |
|---------------------------|-------------|-------|
| TITLE: PROMX 12 CHANNEL 4 | | |
| SIZE: C | DRAWING NO: | REV: |
| DATED: | SHEET: 4 | OF 11 |



| | | |
|------------------------------|-------------|-------|
| TITLE: PROMX 12 CHANNEL 5--6 | | |
| SIZE: C | DRAWING NO: | REV: |
| DATED: | SHEET: 5 | OF 11 |

D

D

C

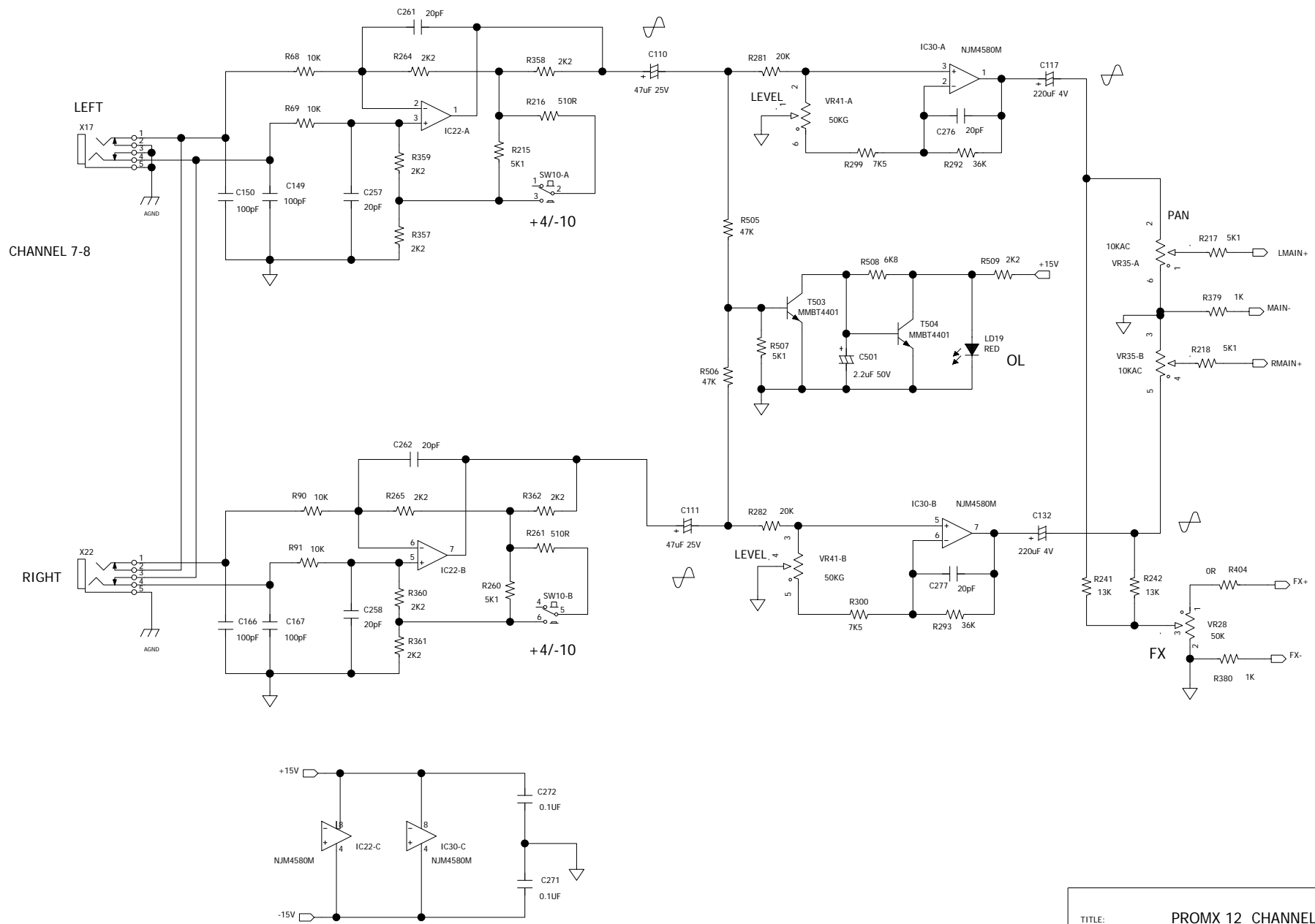
C

B

B

A

A



| | | |
|------------------------------|-------------|-------|
| TITLE: PROMX 12 CHANNEL 7--8 | | |
| SIZE: C | DRAWING NO: | REV: |
| DATED: | SHEET: 6 | OF 11 |

D

D

C

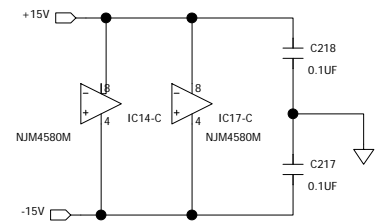
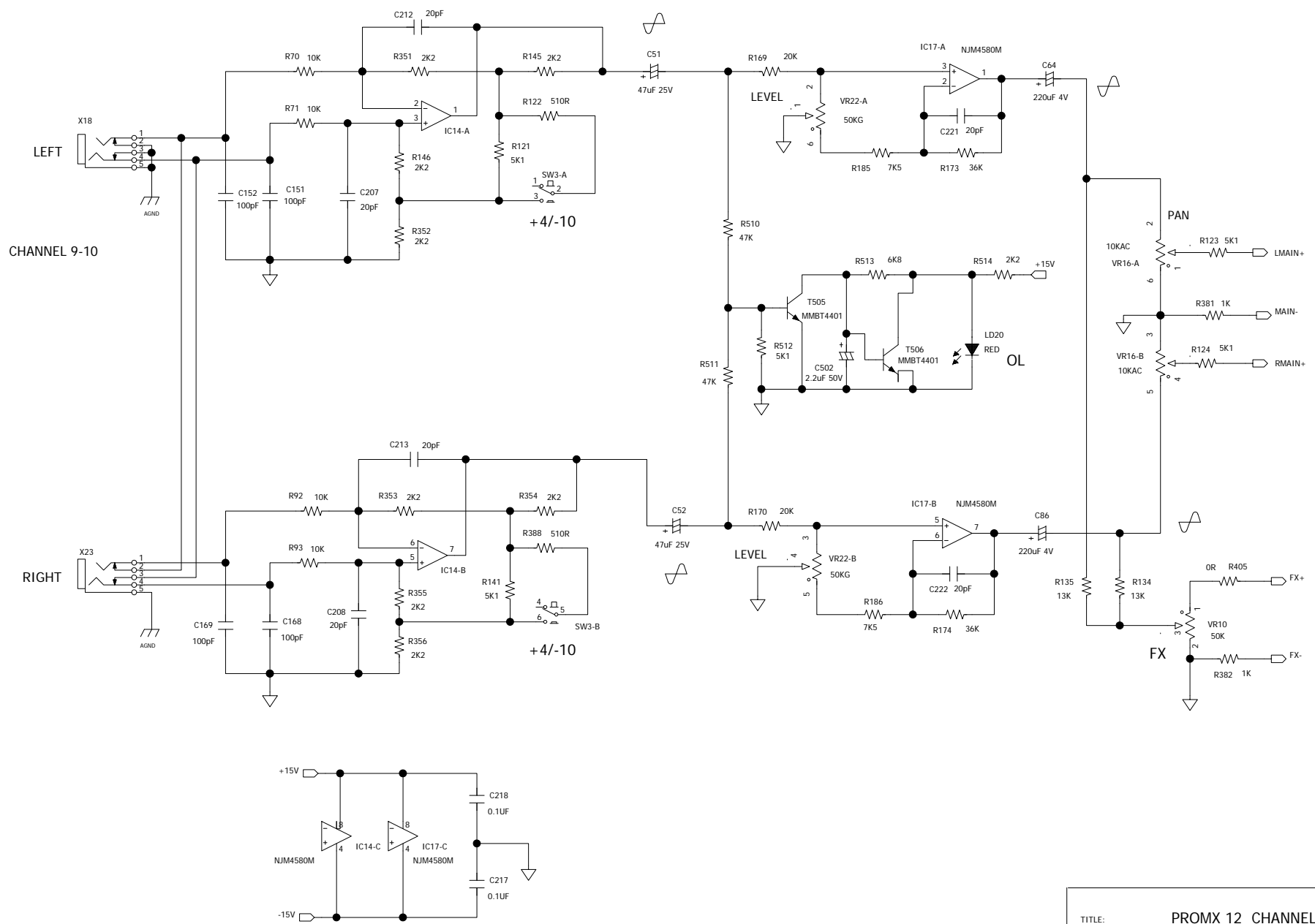
C

B

B

A

A



| | | |
|-------------------------------|-------------|-------|
| TITLE: PROMX 12 CHANNEL 9--10 | | |
| SIZE: C | DRAWING NO: | REV: |
| DATED: | SHEET: 7 | OF 11 |

D

D

C

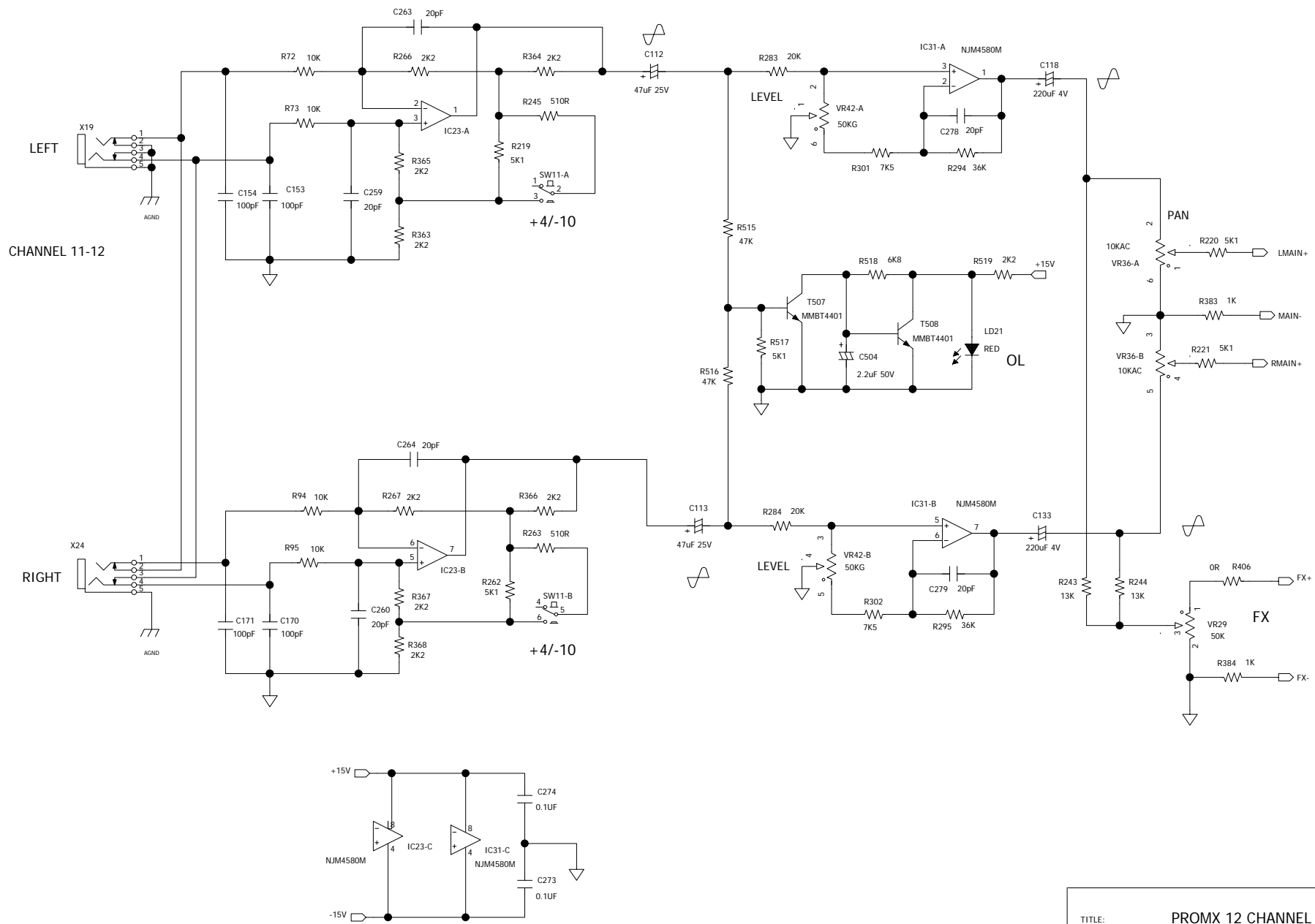
C

B

B

A

A



| | | |
|-------------------------------|-------------|-------|
| TITLE: PROMX 12 CHANNEL 11-12 | | |
| SIZE: C | DRAWING NO: | REV: |
| DATED: | SHEET: 8 | OF 11 |

D

LEVEL

C

B

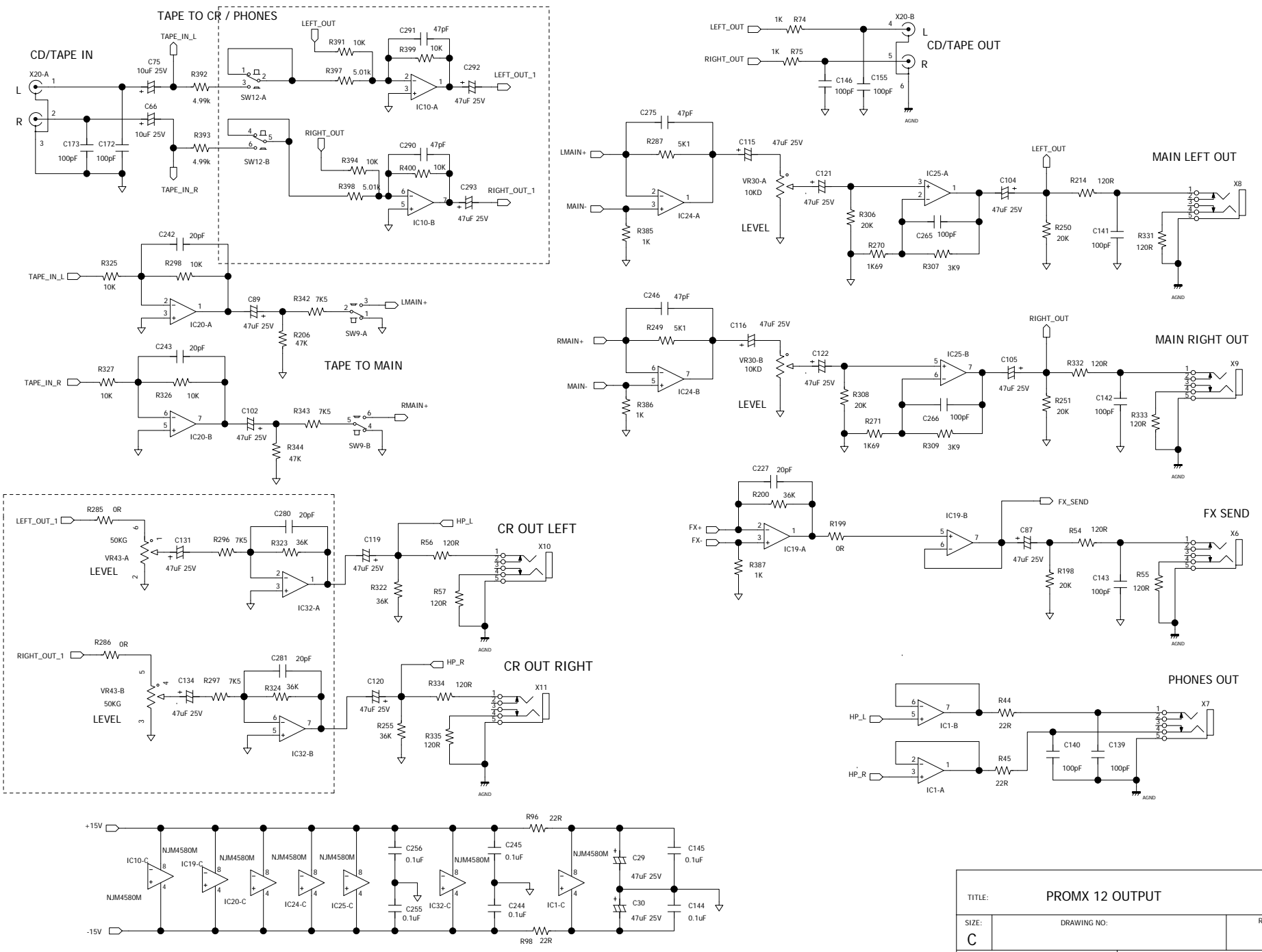
A

D

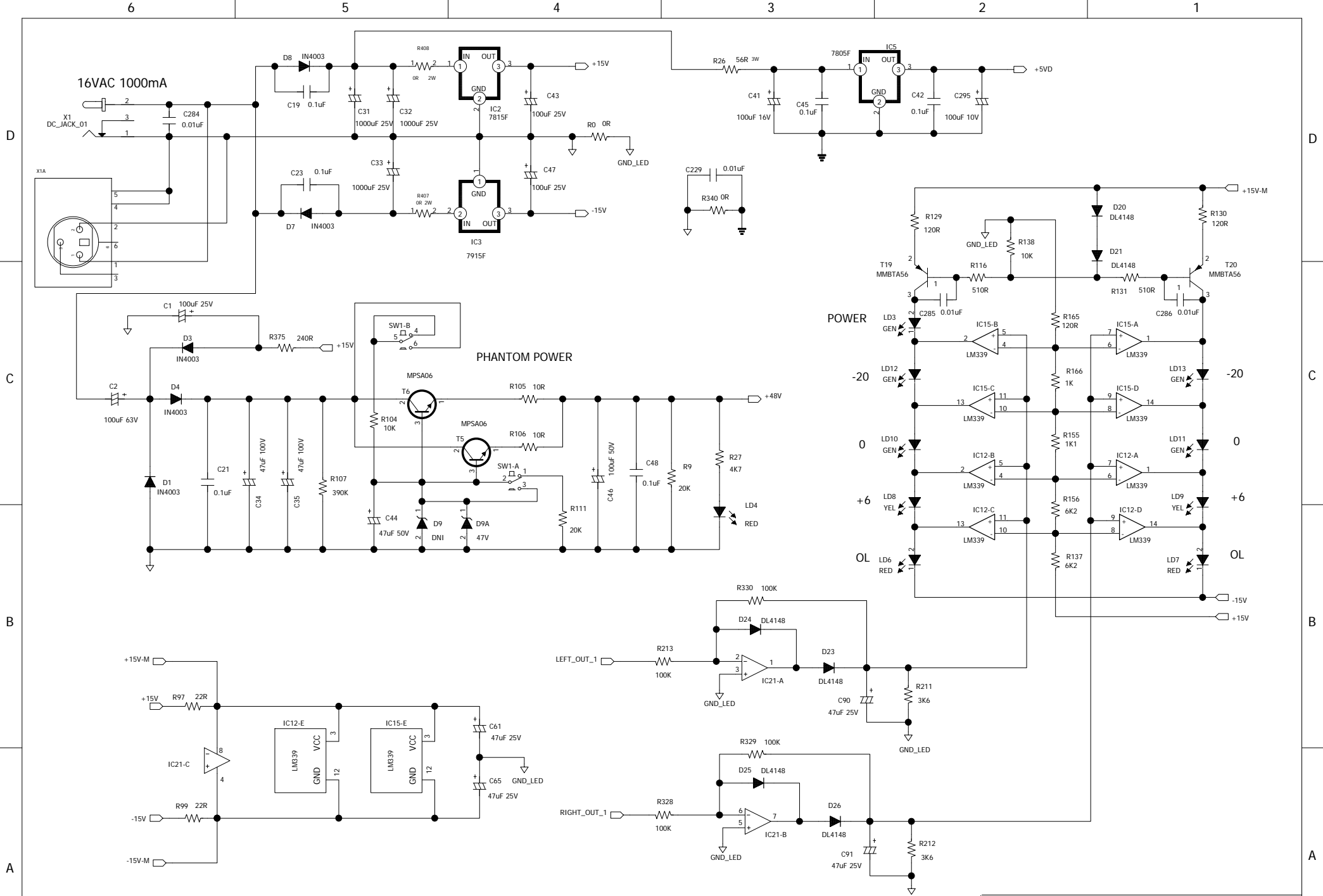
C

B

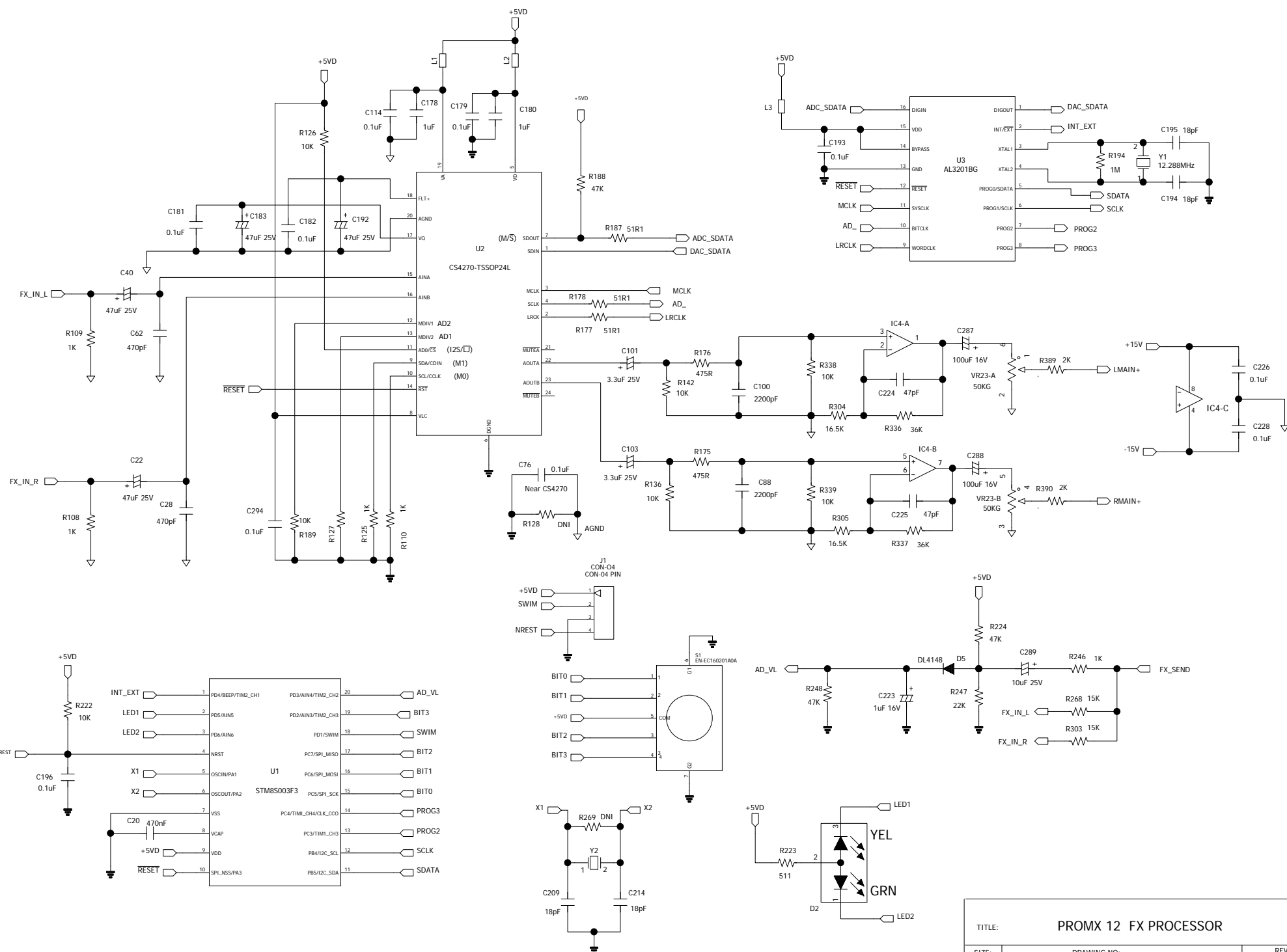
A



| | | |
|------------------------|----------------|------|
| TITLE: PROMX 12 OUTPUT | | |
| SIZE: C | DRAWING NO: | REV: |
| DATED: | SHEET: 9 OF 11 | |



| | | |
|---------------------------------|-------------|-------|
| TITLE: PROMX 12 POWER&LED ARRAY | | |
| SIZE: C | DRAWING NO: | REV: |
| DATED: | SHEET: 10 | OF 11 |



| | | |
|------------------------------|-------------|-------|
| TITLE: PROMX 12 FX PROCESSOR | | |
| SIZE: C | DRAWING NO: | REV: |
| DATED: | SHEET: 11 | OF 11 |