

D

D

C

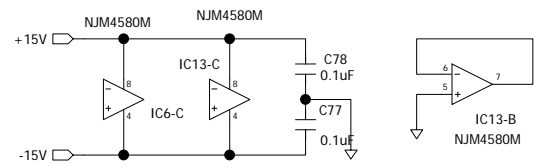
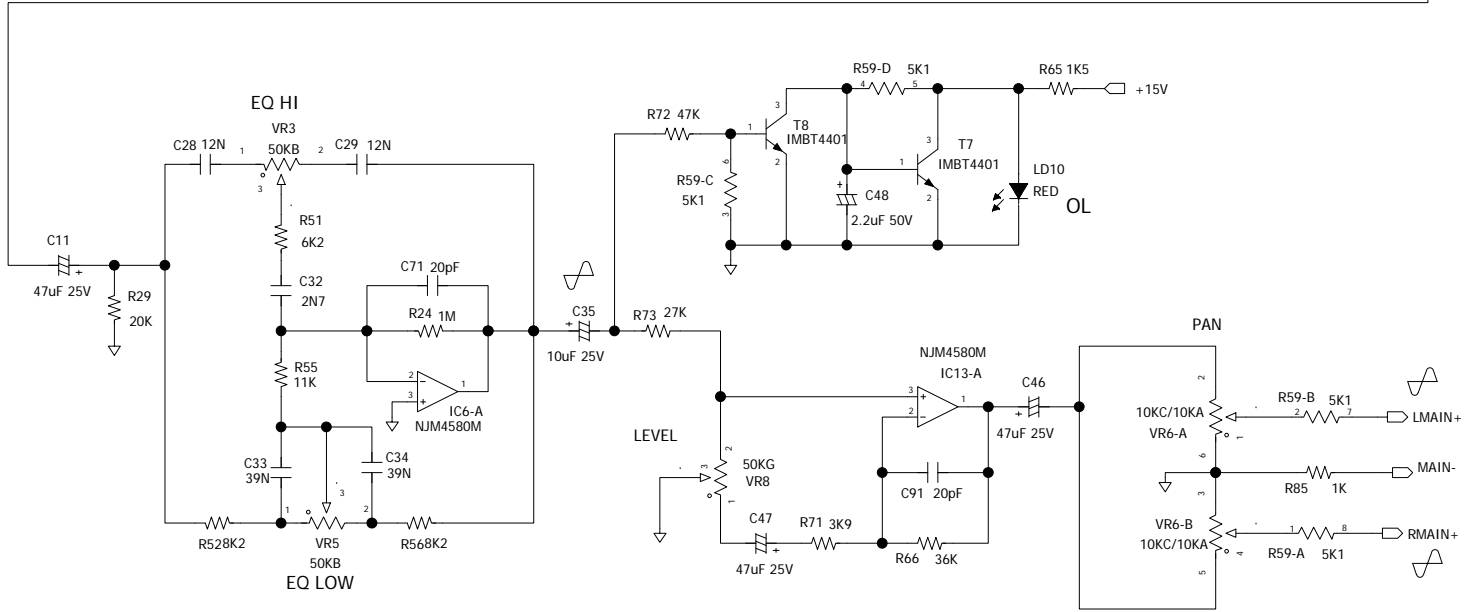
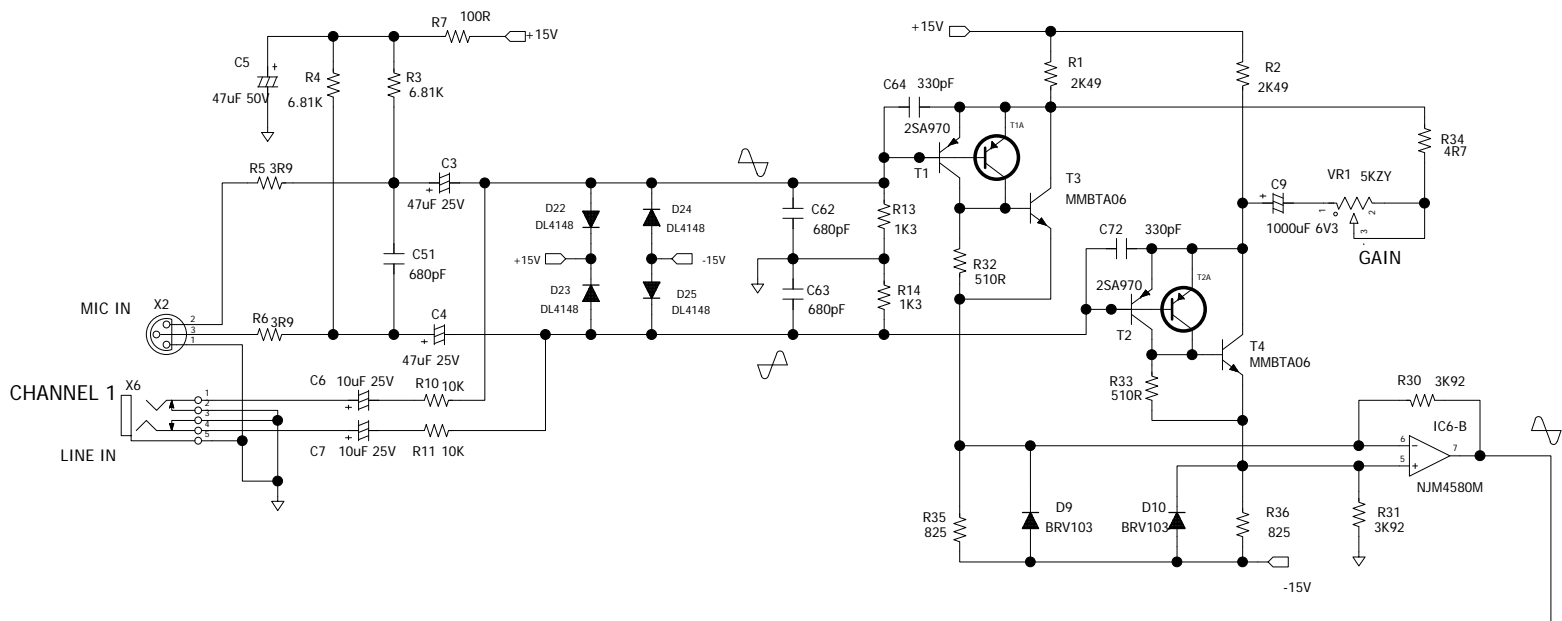
C

B

B

A

A



TITLE: PROMX 5 CHANNEL 1		
SIZE: C	DRAWING NO:	REV:
DATED: JUN/20/2014		SHEET: 1 OF 4

D

D

LEFT

CHANNEL 2-3

RIGHT

C

C

B

B

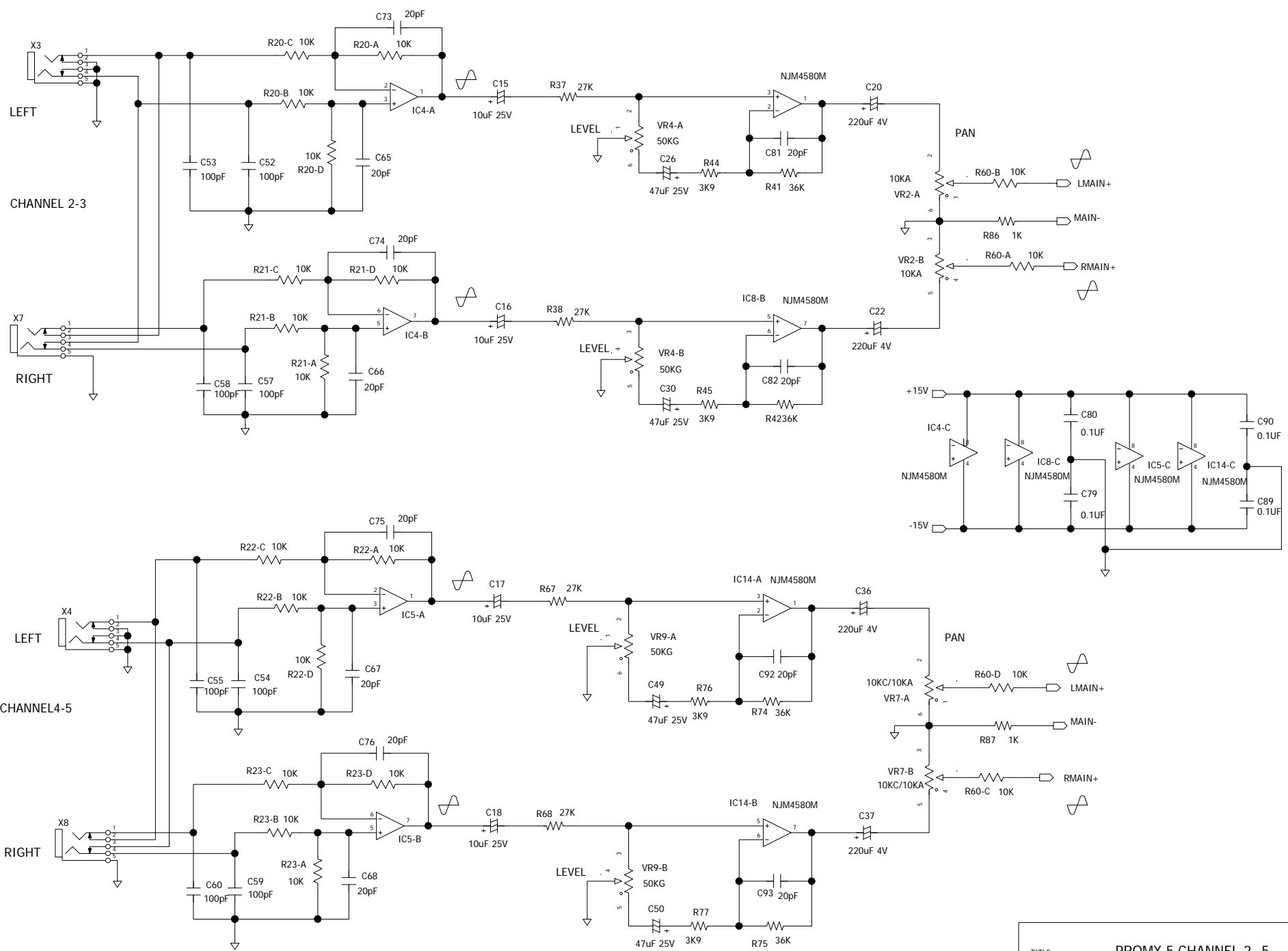
LEFT

CHANNEL 4-5

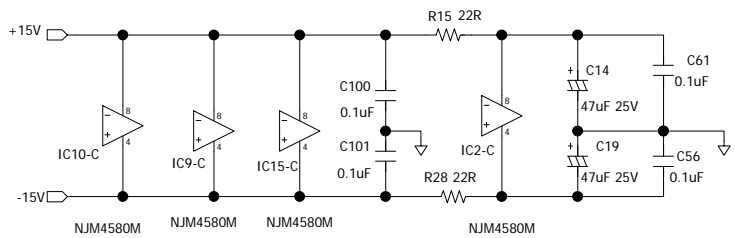
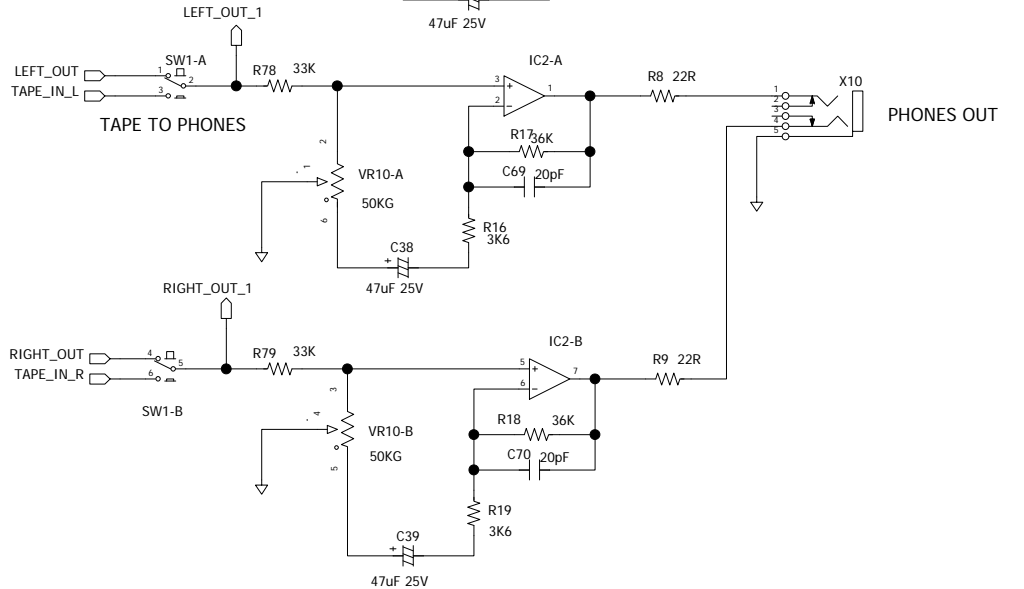
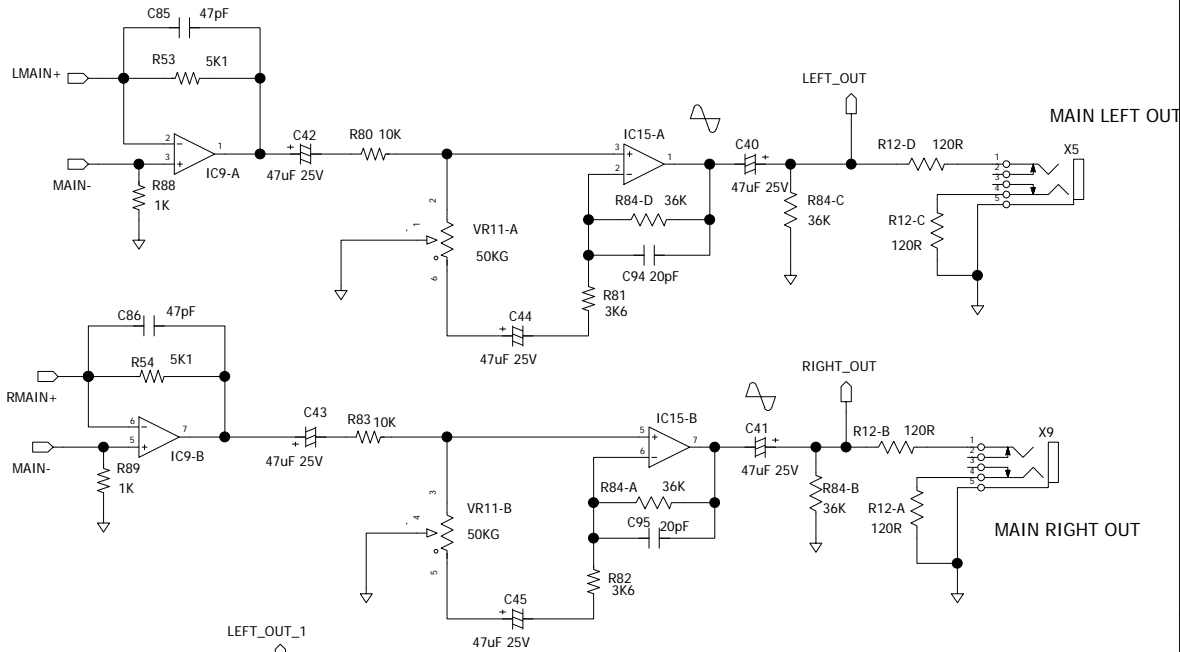
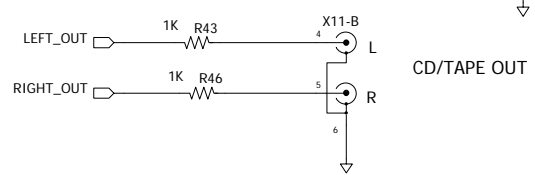
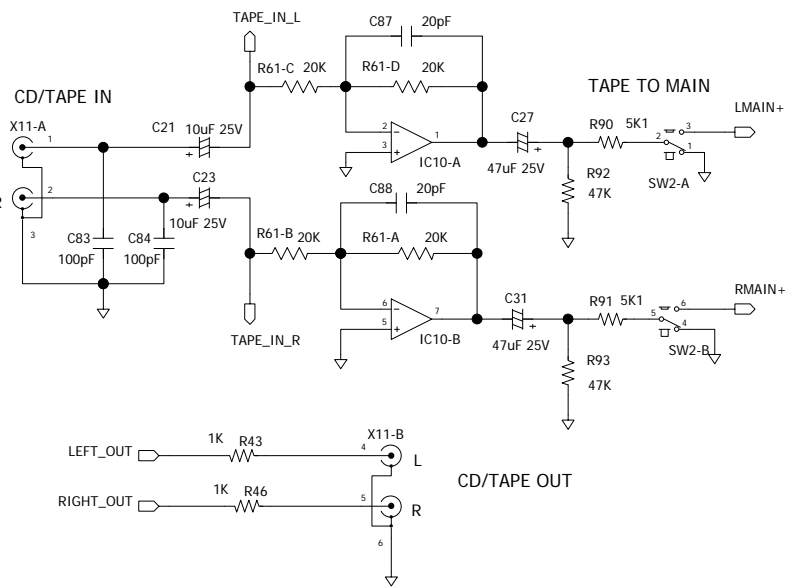
RIGHT

A

A



TITLE: PROMX 5 CHANNEL 2--5		
SIZE: C	DRAWING NO:	REV:
DATED: JUN/20/2014		SHEET: 2 OF 4



TITLE: PROMX 5 OUTPUT		
SIZE: C	DRAWING NO:	REV:
DATED: JUN/20/2014		SHEET: 3 OF 4

D

D

C

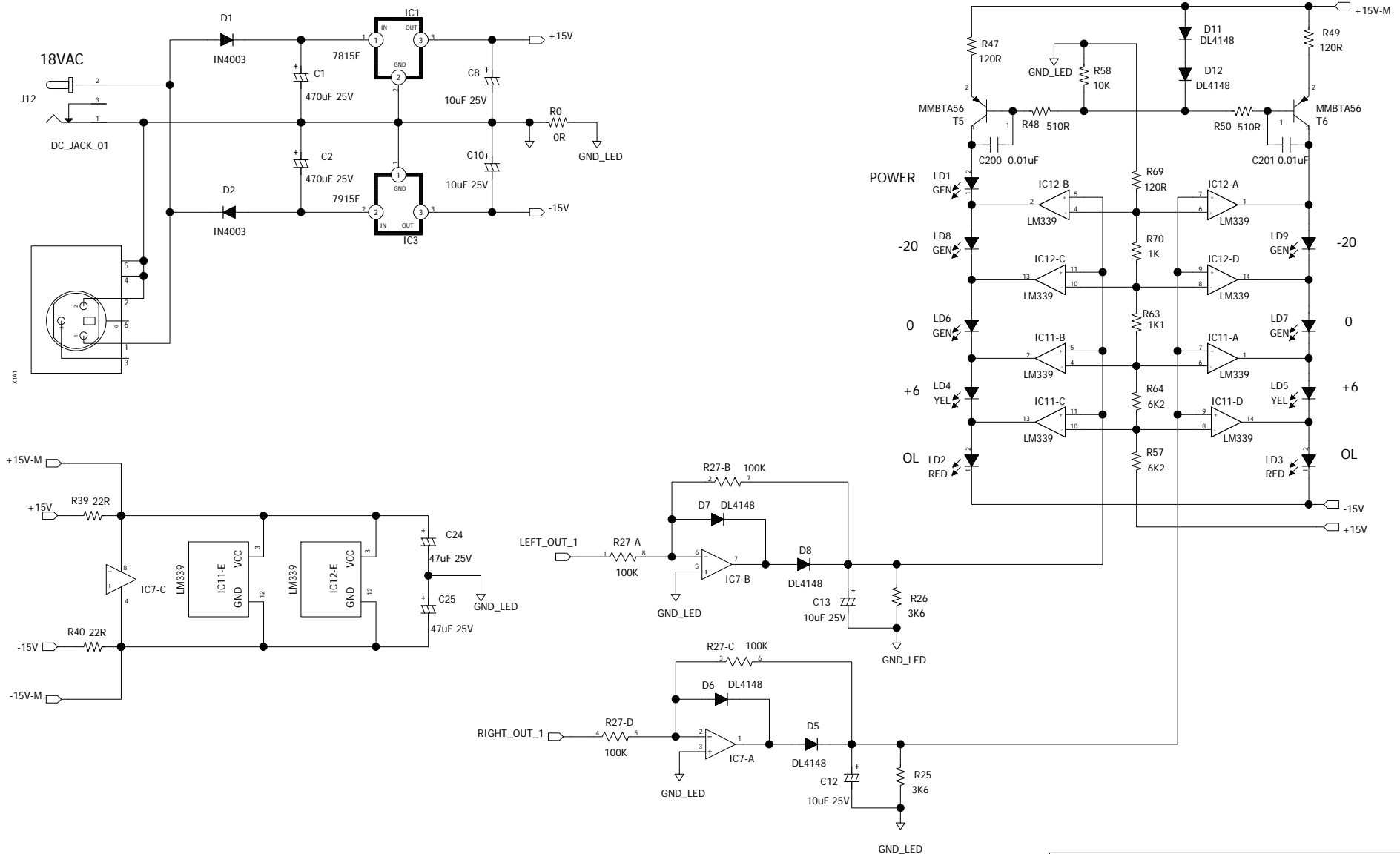
C

B

B

A

A



TITLE: PROMX 5 POWER&LED ARRAY		
SIZE: C	DRAWING NO:	REV:
DATED: JUN/20/2014		SHEET: 4 OF 4