

D

D

C

C

B

B

A

A

CHANNEL 1

MIC IN

LINE IN

AGND

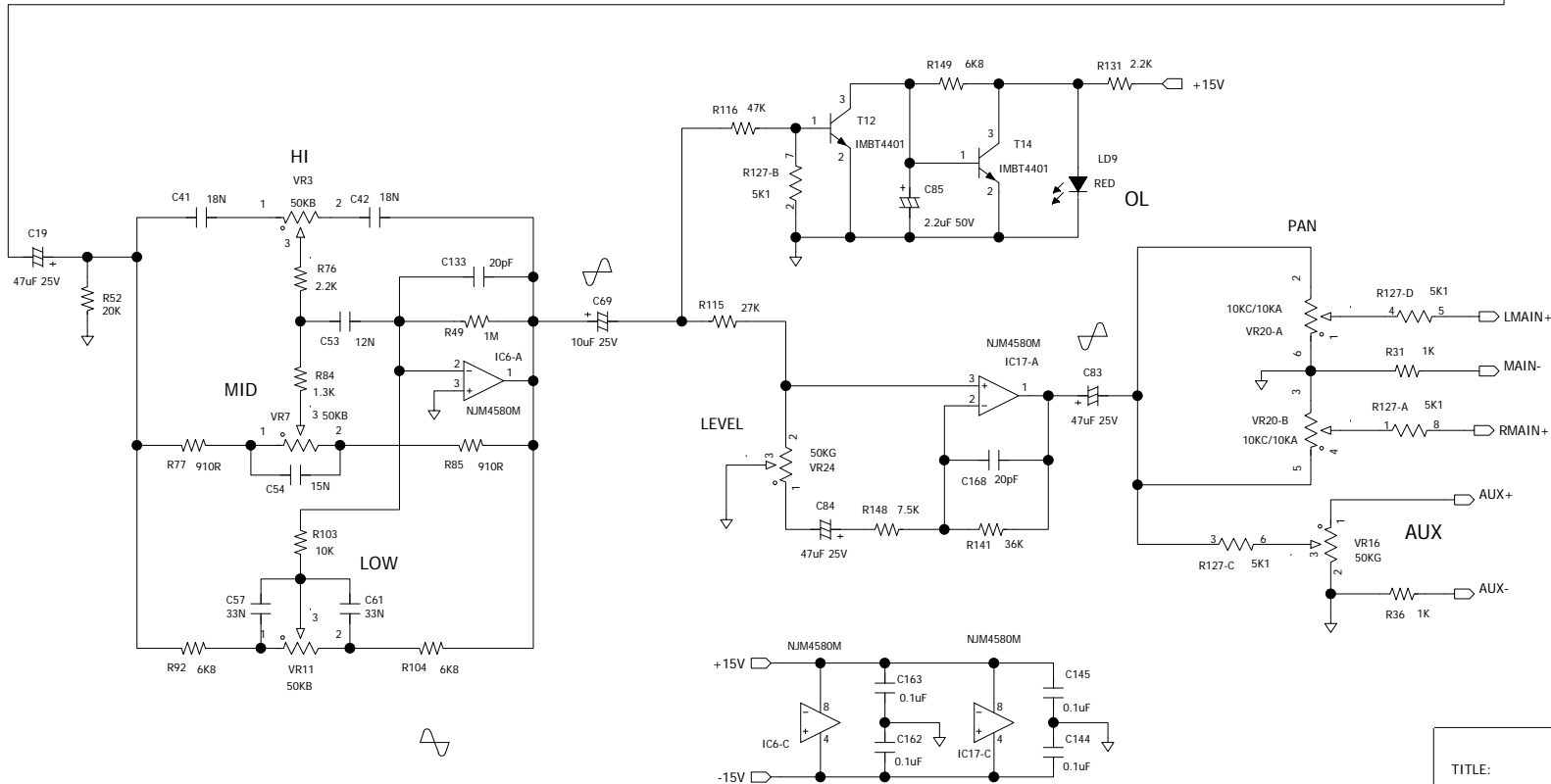
+15V

+15V

GAIN

IC6-B

NJM4580M



TITLE: PROMX 8 CHANNEL 1		
SIZE: C	DRAWING NO:	REV:
DATED:	SHEET: 1	

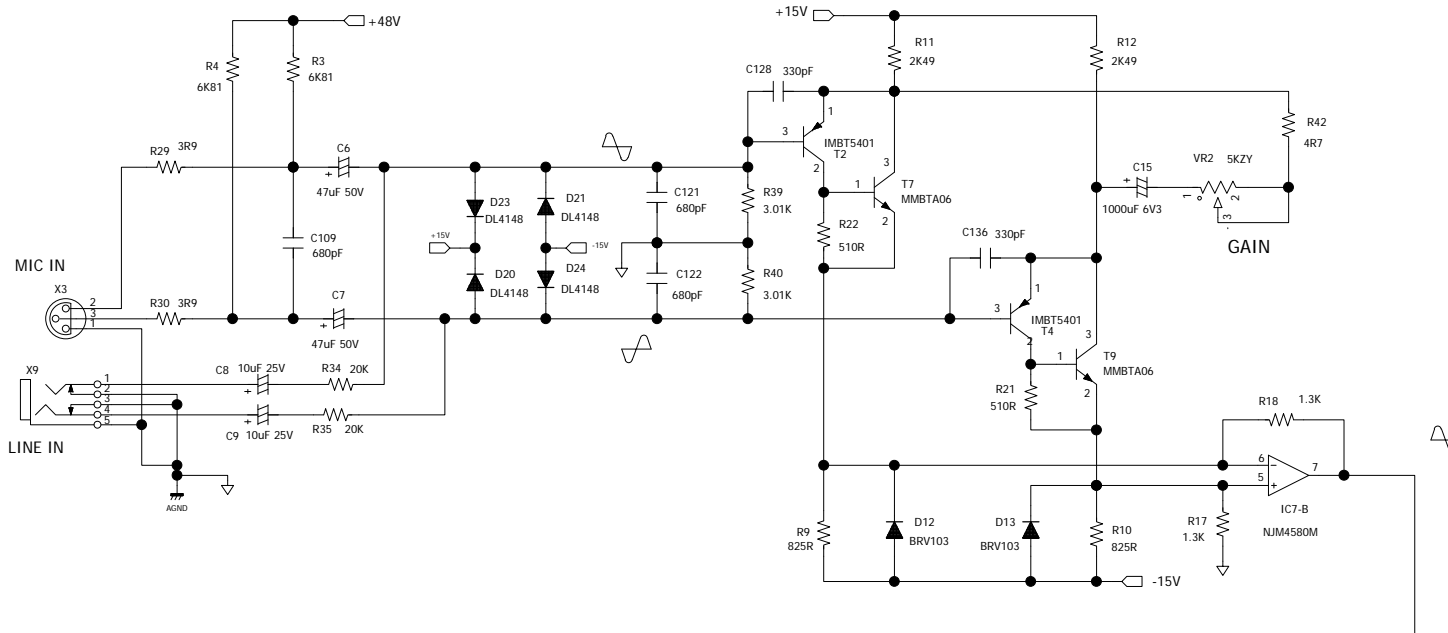
D

D

CHANNEL 2

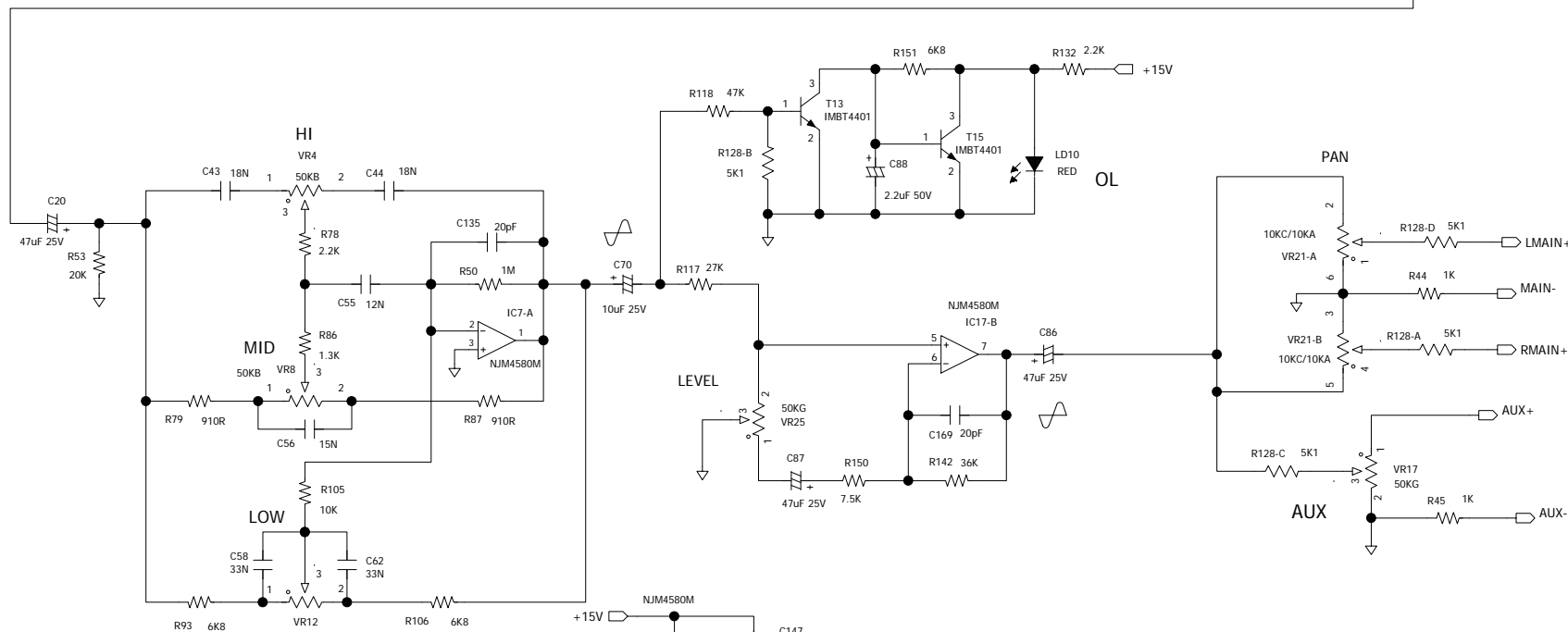
C

C



B

B



A

A

TITLE: PROMX 8 CHANNEL 2		
SIZE: C	DRAWING NO:	REV:
DATED:	SHEET: 2	

D

C

B

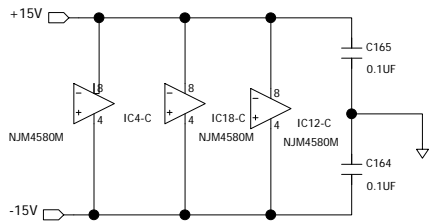
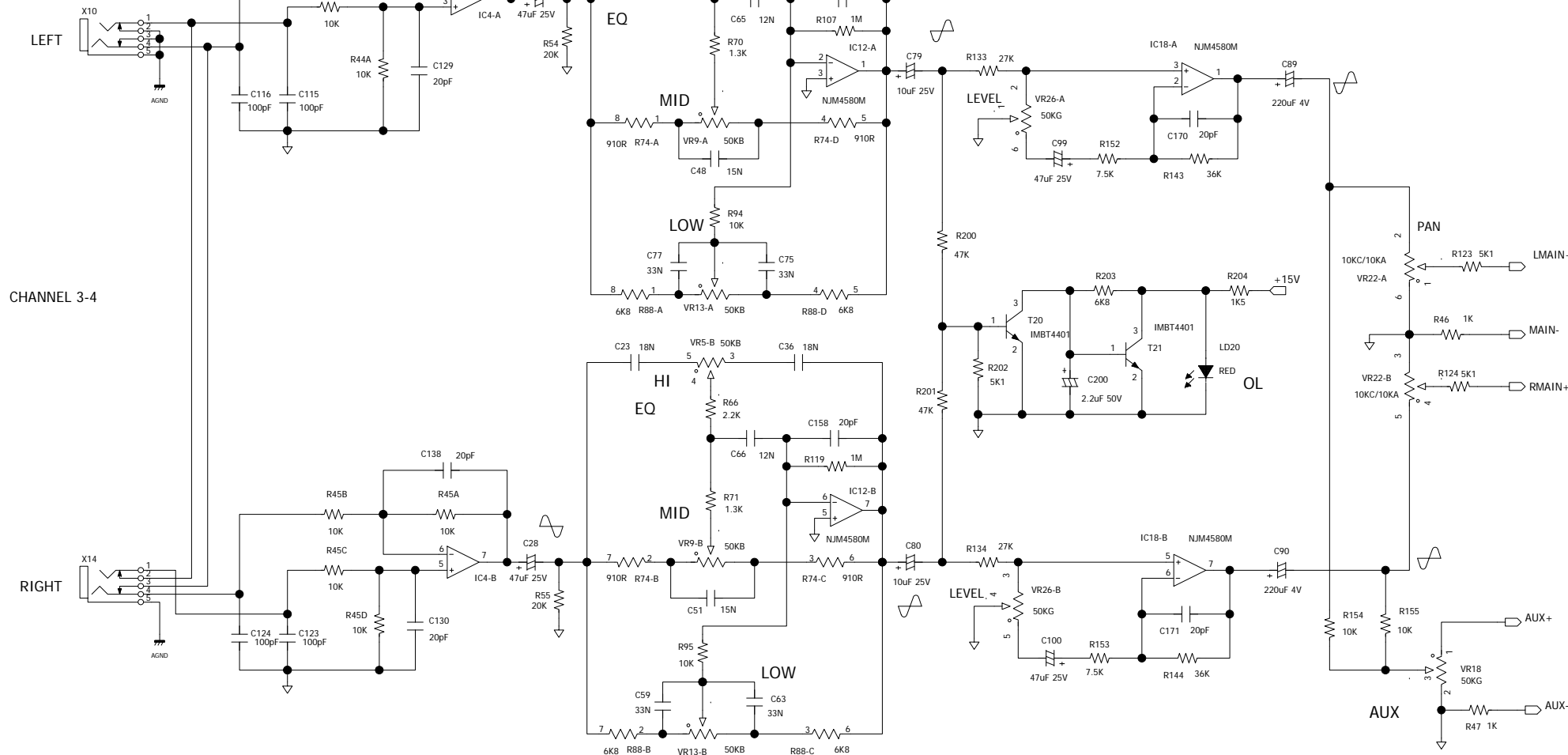
A

D

C

B

A



TITLE: PROMX 8 CHANNEL 3--4		
SIZE: C	DRAWING NO:	REV:
DATED:	SHEET: 3	

D

C

B

A

D

C

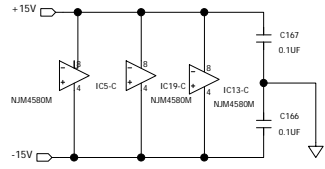
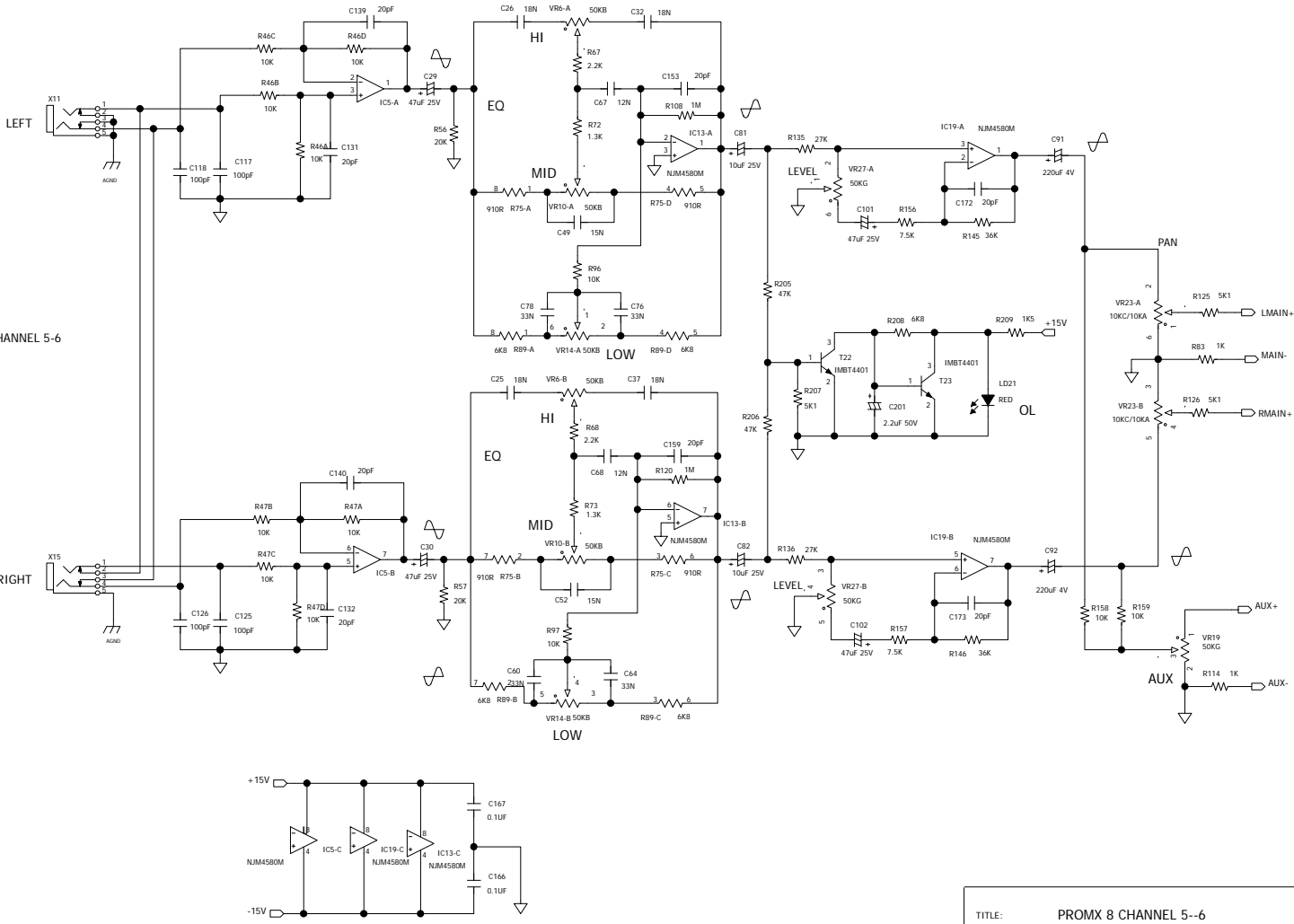
B

A

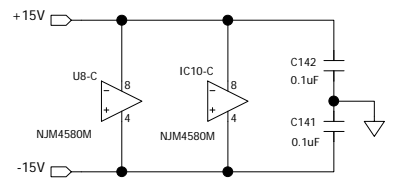
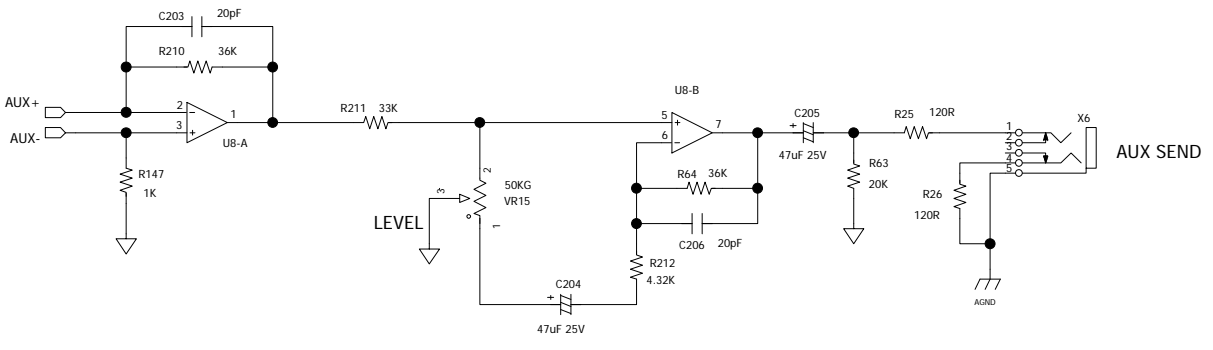
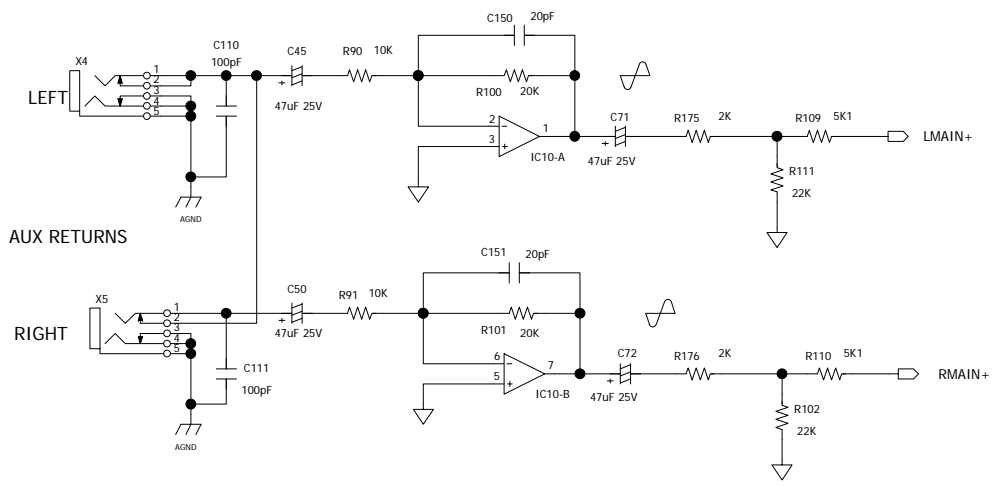
LEFT

RIGHT

CHANNEL 5-6



TITLE: PROMX 8 CHANNEL 5--6		
SIZE: C	DRAWING NO:	REV:
DATED:	SHEET: 4	



TITLE: PROMX 8 AUX RETURNS / SEND		
SIZE: C	DRAWING NO:	REV:
DATED:	SHEET: 5	

D

D

C

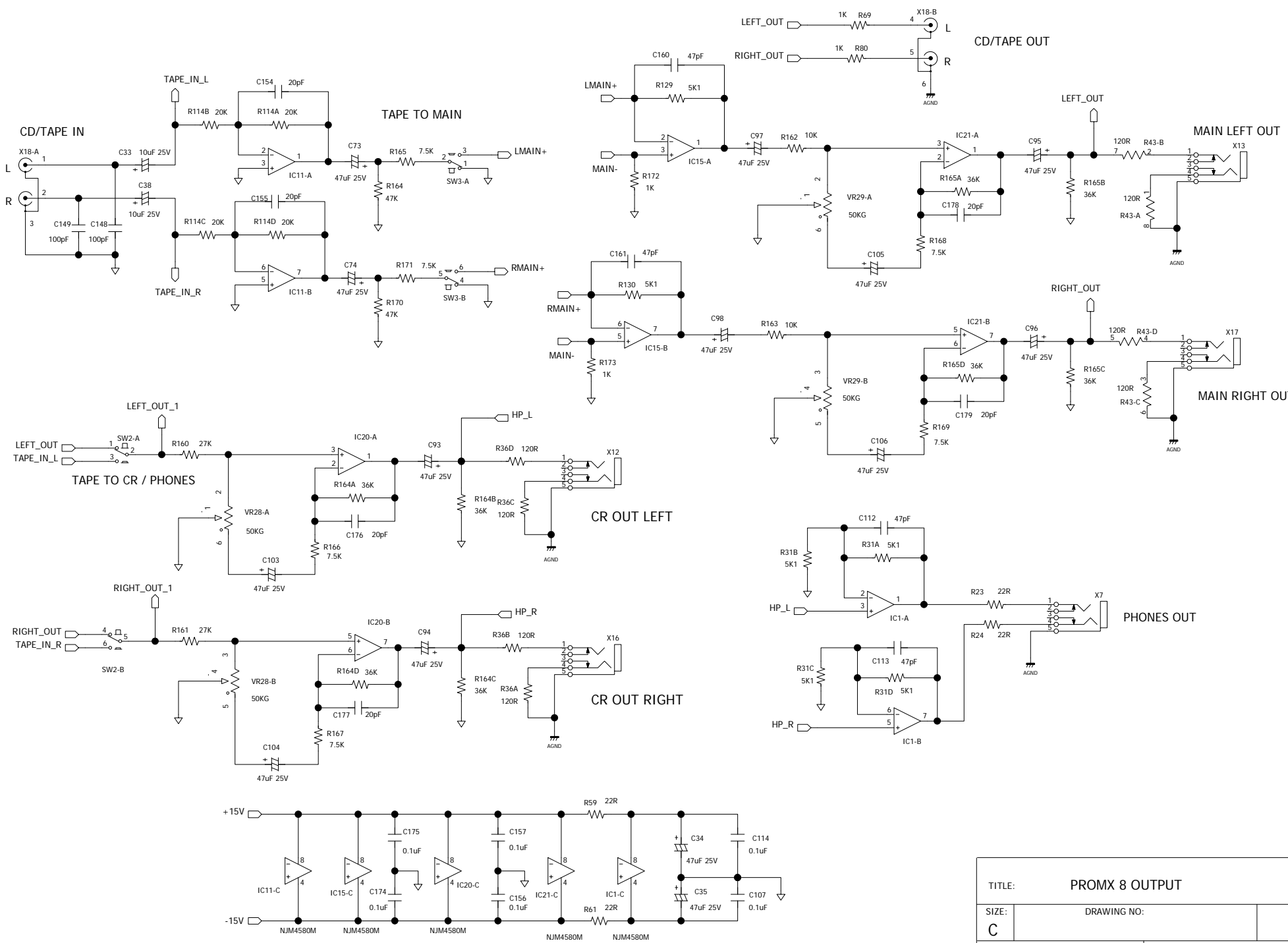
C

B

B

A

A



TITLE: PROMX 8 OUTPUT		
SIZE: C	DRAWING NO:	REV:
DATED:	SHEET: 6	

D

C

B

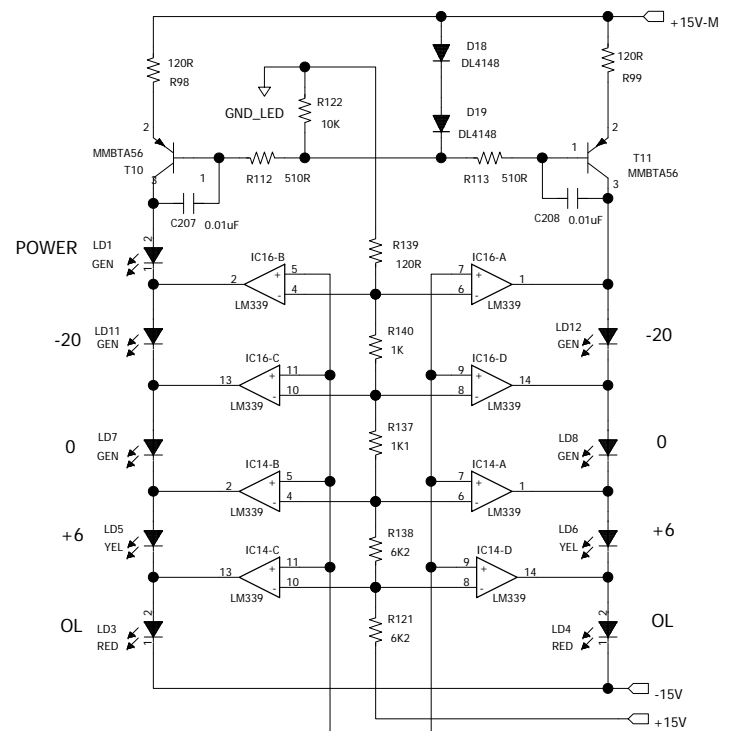
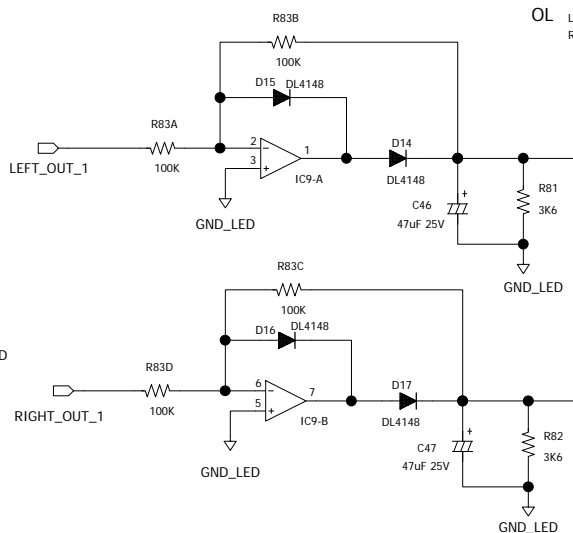
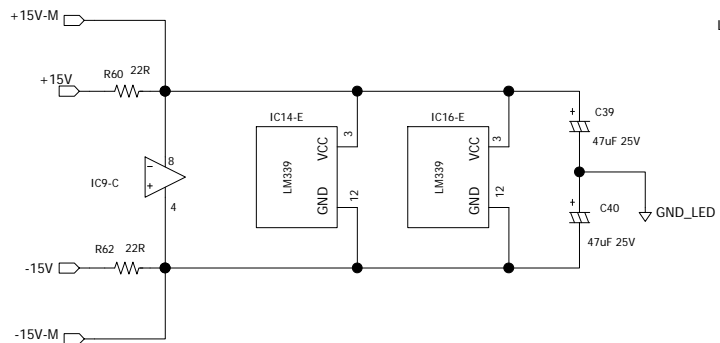
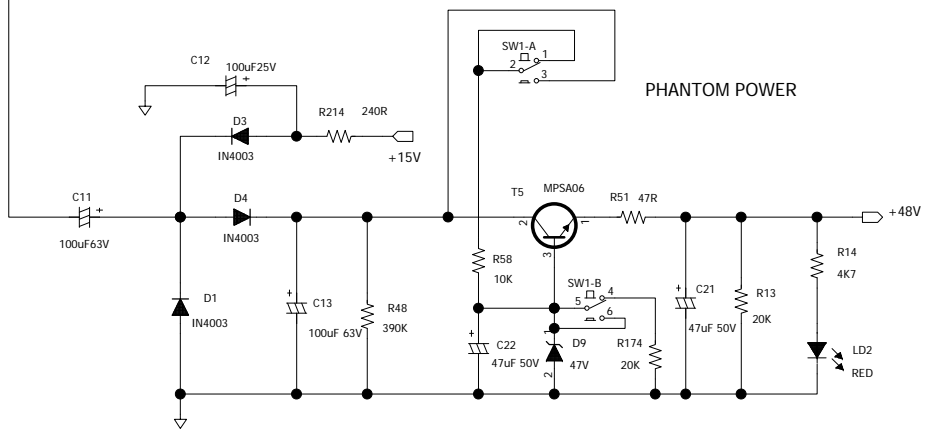
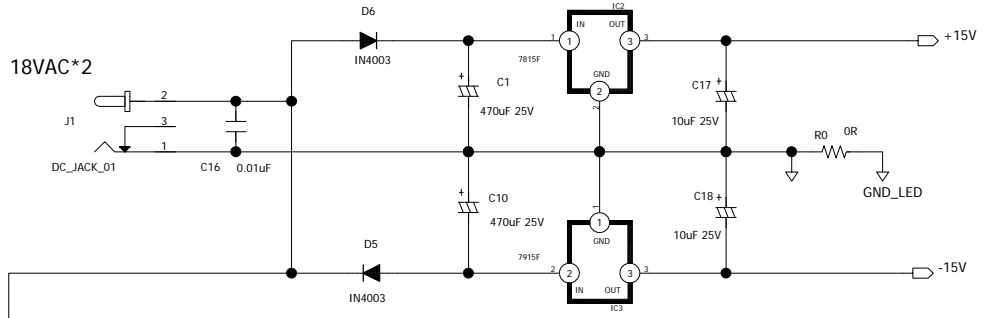
A

D

C

B

A



TITLE: PROMX 8 POWER&LED ARRAY		
SIZE: C	DRAWING NO:	REV:
DATED:	SHEET: 7	