

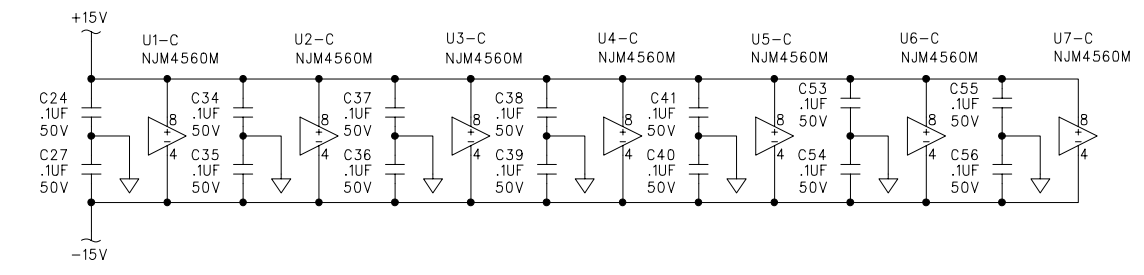
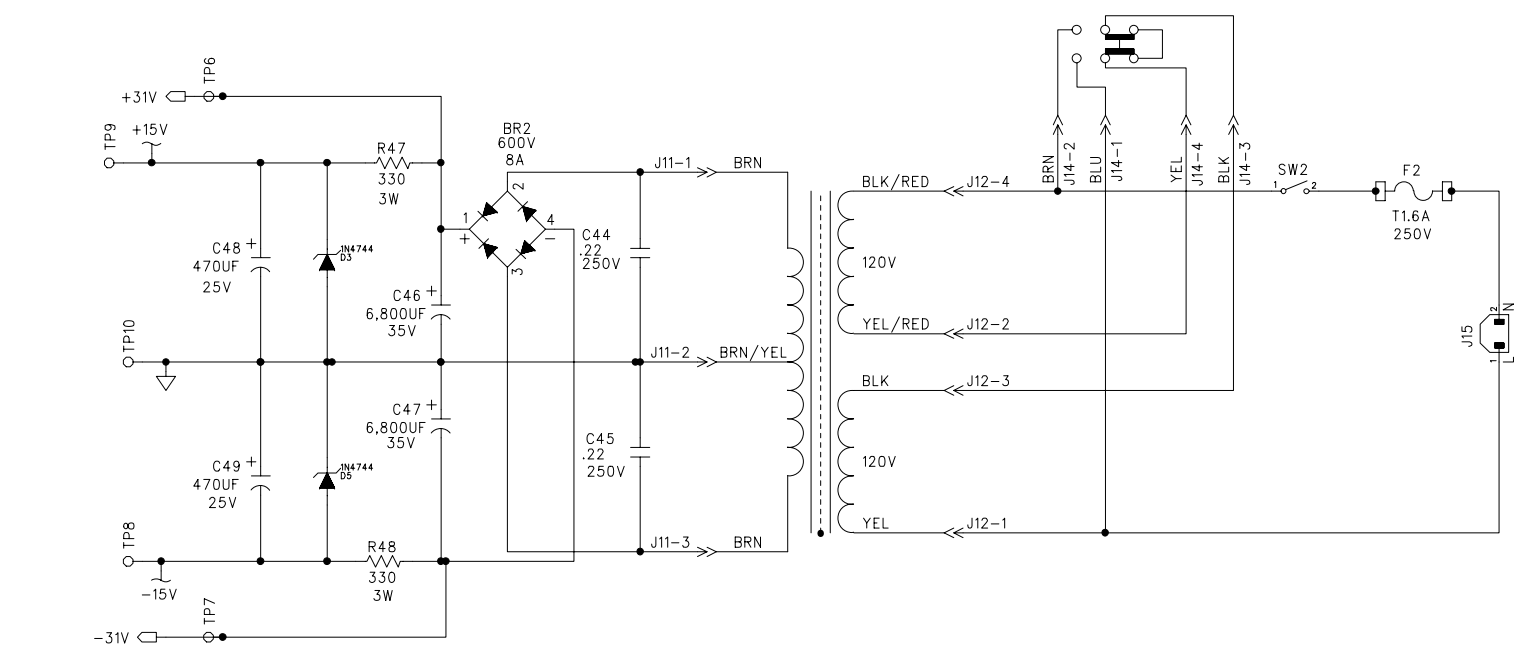
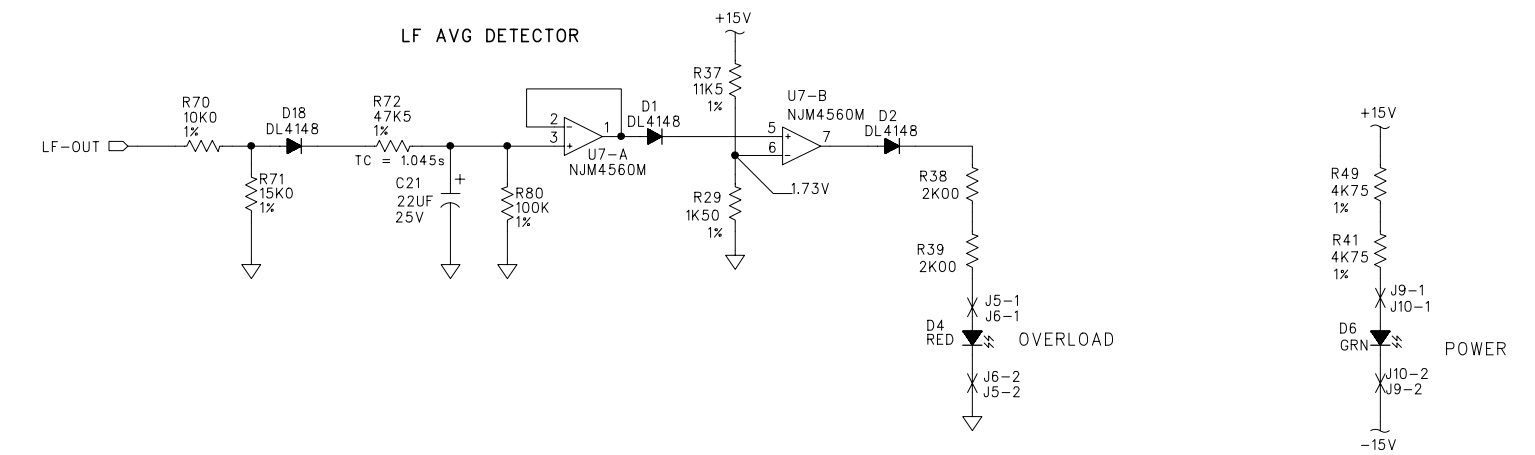
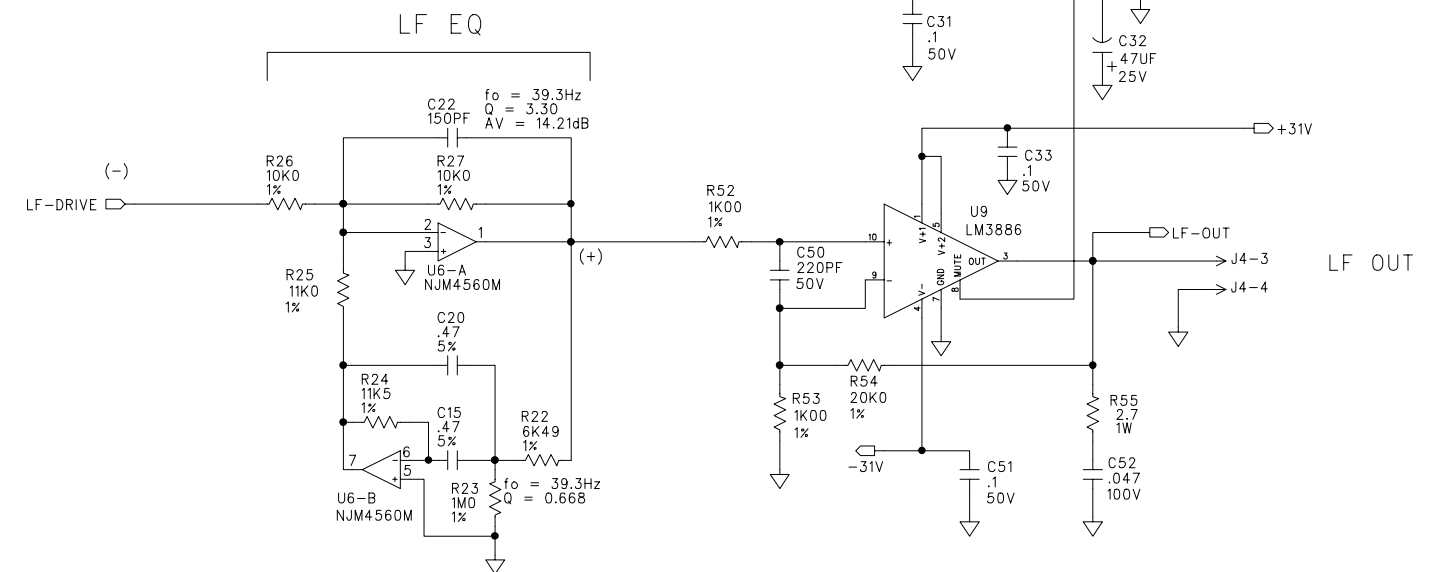
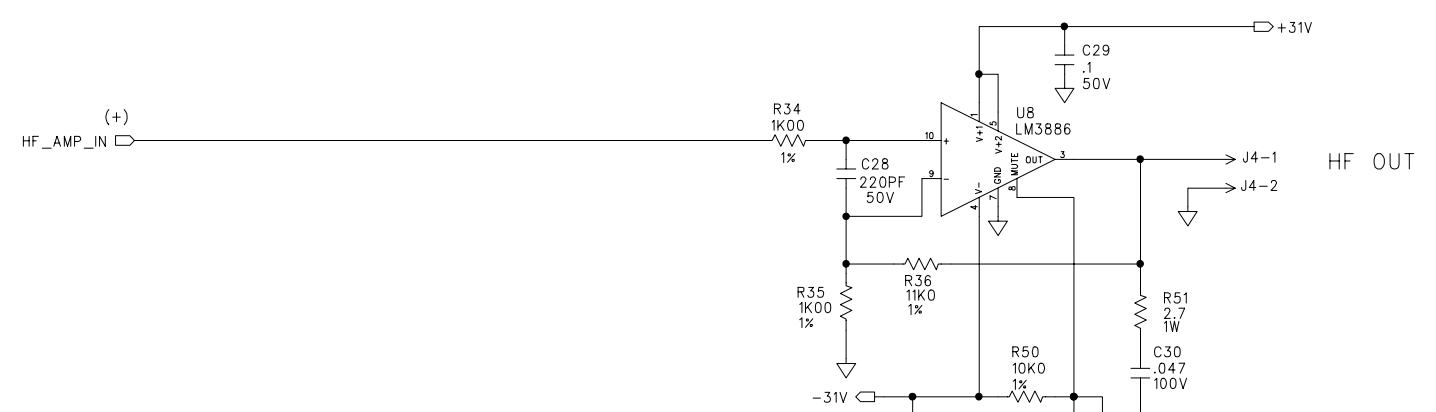
APPROVALS	DATE
DRAWN: JAS	12/18/2003
CHECKED:	
NP ENG:	
MATERIAL:	
MFG:	
MFG ENG:	
ISSUED:	



S8 Power Amplifier

©2002 MACKIE DESIGNS INC.
 ALL RIGHTS RESERVED
 THE INFORMATION CONTAINED HEREIN
 IS PROPRIETARY AND CONFIDENTIAL
 PROPERTY OF MACKIE DESIGNS INC.

SIZE: D	SCALE: NONE	DWG. NO. SCHXXXXXXXX	REV. 200
DWG FILE:		SHEET 1 OF 2	



APPROVALS	DATE
DRAWN: JAS	12/18/03
CHECKED:	
NP ENG:	
MATERIAL:	
MFG:	
MFG ENG:	
ISSUED:	

MACKIE
Mackie Designs Inc. Woodinville, Wa.

S8 Power Amplifier

SIZE: D	SCALE: NONE	DWG. NO. SCHXXXXXXXX	REV. 200
DWG FILE:		SHEET 2 OF 2	

©2002 MACKIE DESIGNS INC.
ALL RIGHTS RESERVED
THE INFORMATION CONTAINED HEREIN
IS PROPRIETARY AND CONFIDENTIAL
PROPERTY OF MACKIE DESIGNS INC.