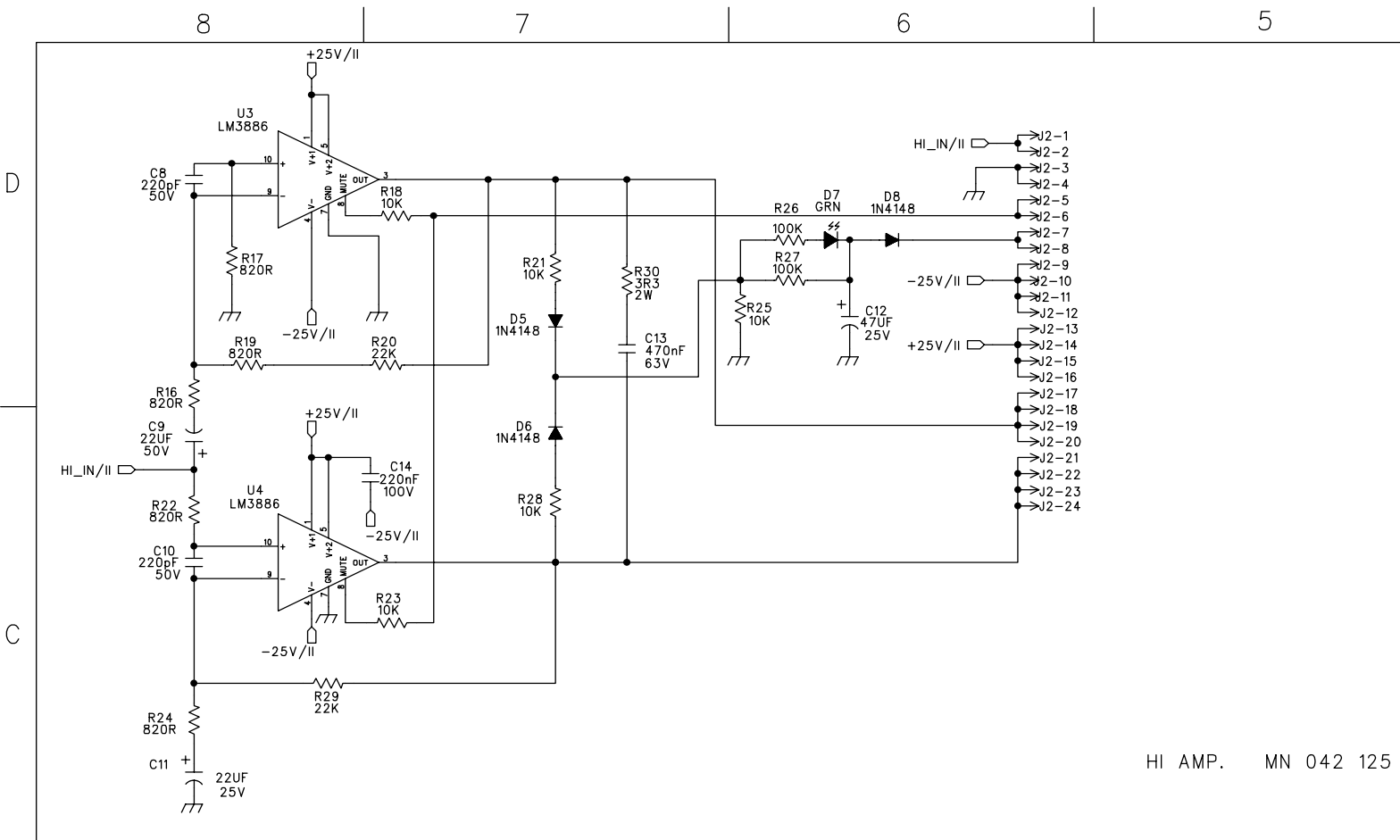
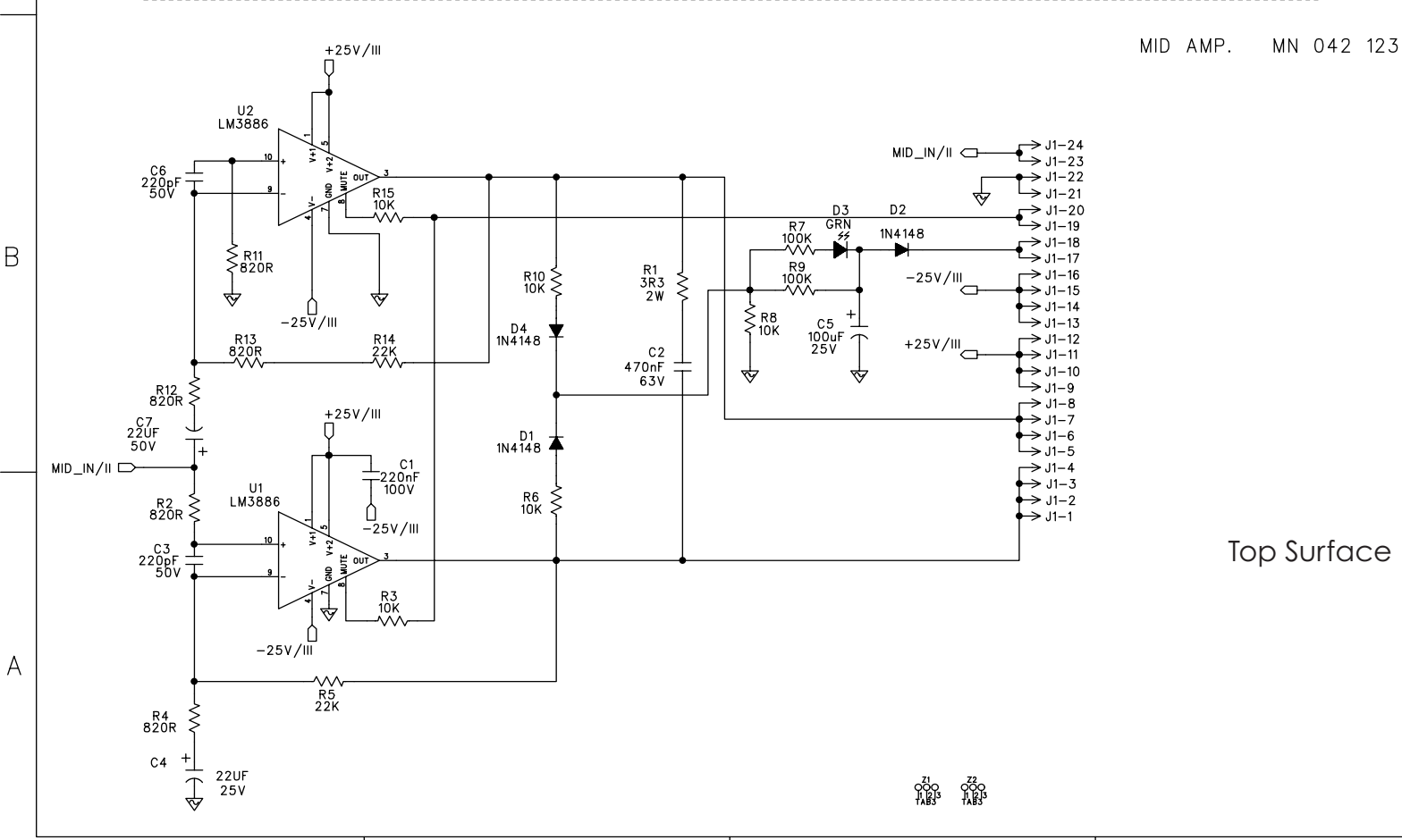


ECO#	REV:	DESCRIPTION	REV. BY:	APP. BY:	DATE
01		PROTOTYPE RELEASE 01	STOLZ		6/11/00
02		PROTOTYPE RELEASE 02	SOBEK		21.2.2001
03		Change C5, C12	SOBEK		12.6.2001

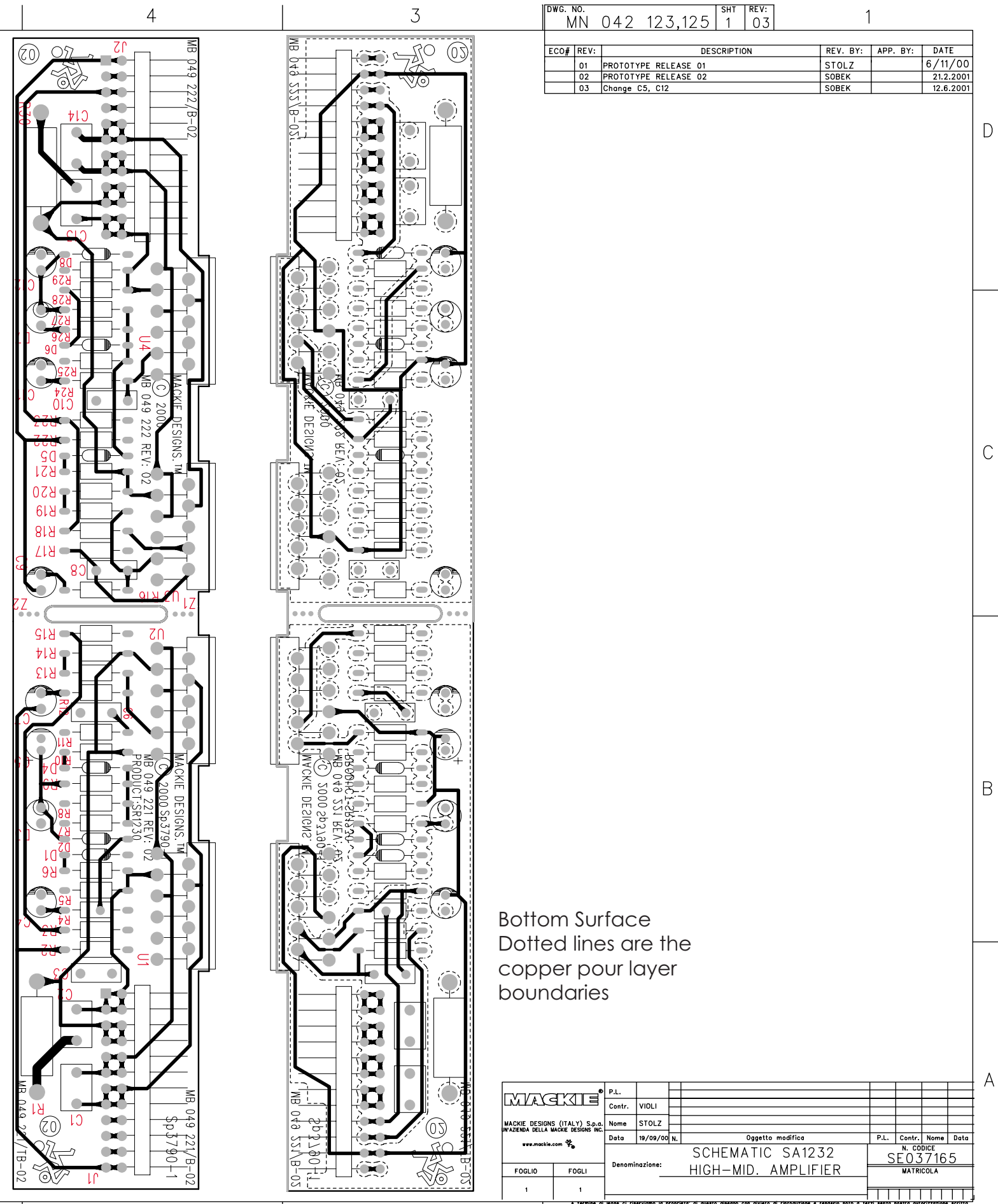


HI AMP. MN 042 125



MID AMP. MN 042 123

Top Surface



Bottom Surface
Dotted lines are the
copper pour layer
boundaries

MACKIE		P.L.			
MACKIE DESIGNS (ITALY) S.p.a. WAZZENDA DELLA MACKIE DESIGNS INC.		Contr.	VIOLI		
www.mackie.com		Nome	STOLZ		
		Data	19/09/05 N.	Oggetto modifica	P.L. Contr. Nome Data
		Denominazione:	SCHEMATIC SA1232 HIGH-MID. AMPLIFIER		N. CODICE SE037165
FOGLIO	FOGLI			MATRICOLA	
1	1				