

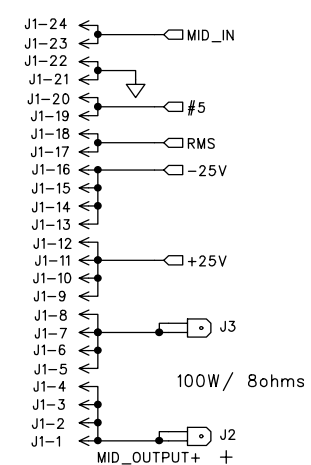
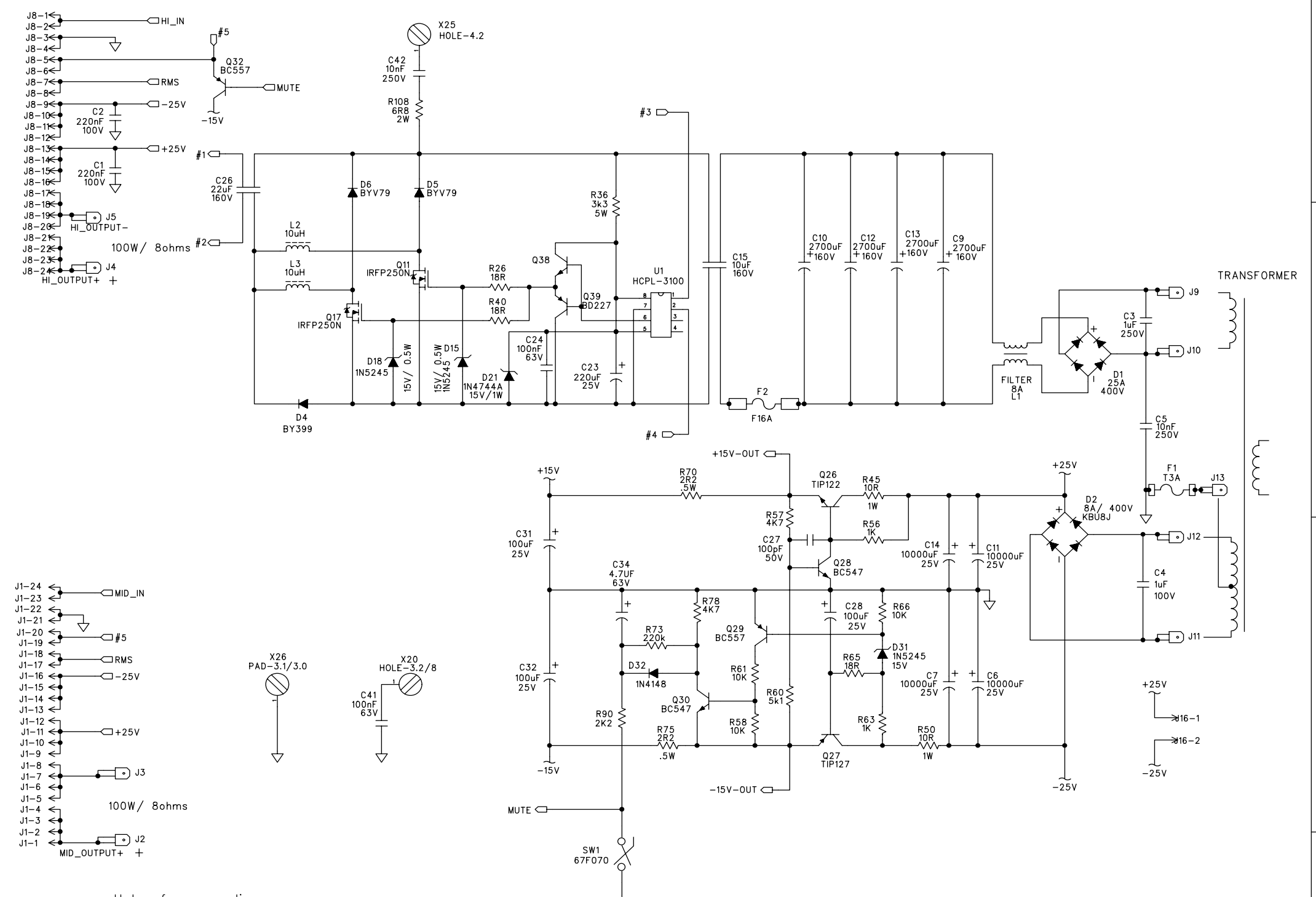
UNLESS OTHERWISE SPECIFIED DIMENSIONS ARE IN INCHES TOLERANCES ARE:		APPROVALS	DATE
FRACTIONS:	DECIMALS:	STOLZ	19.9.00
ANGLES:			
±NA	.XX ±.01 ±MA	CHECKED:	
	.XXX ±.005	NP ENG:	
MATERIAL:		MATERIAL:	
SEE NOTES		MFG:	
FINISH:		MFG ENG:	
SEE NOTES		ISSUED:	
DO NOT SCALE DRAWING			

MACKIE
Mackie Designs Inc. Woodinville, Wa.

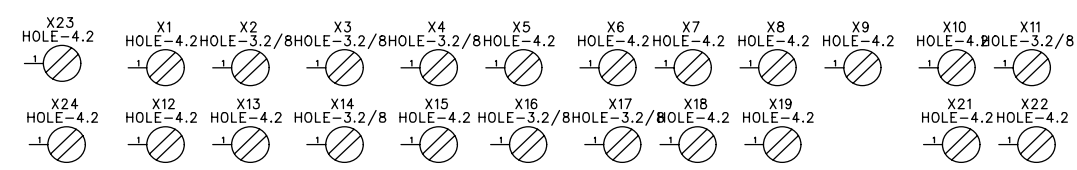
SCHEMATIC, SA 1232

SIZE: A3	SCALE: NONE	DWG. NO. MN 042 121	REV. 01
DWG FILE: MN 042 121-01 Label 03.sch		Label 03	SHEET 1 OF 2

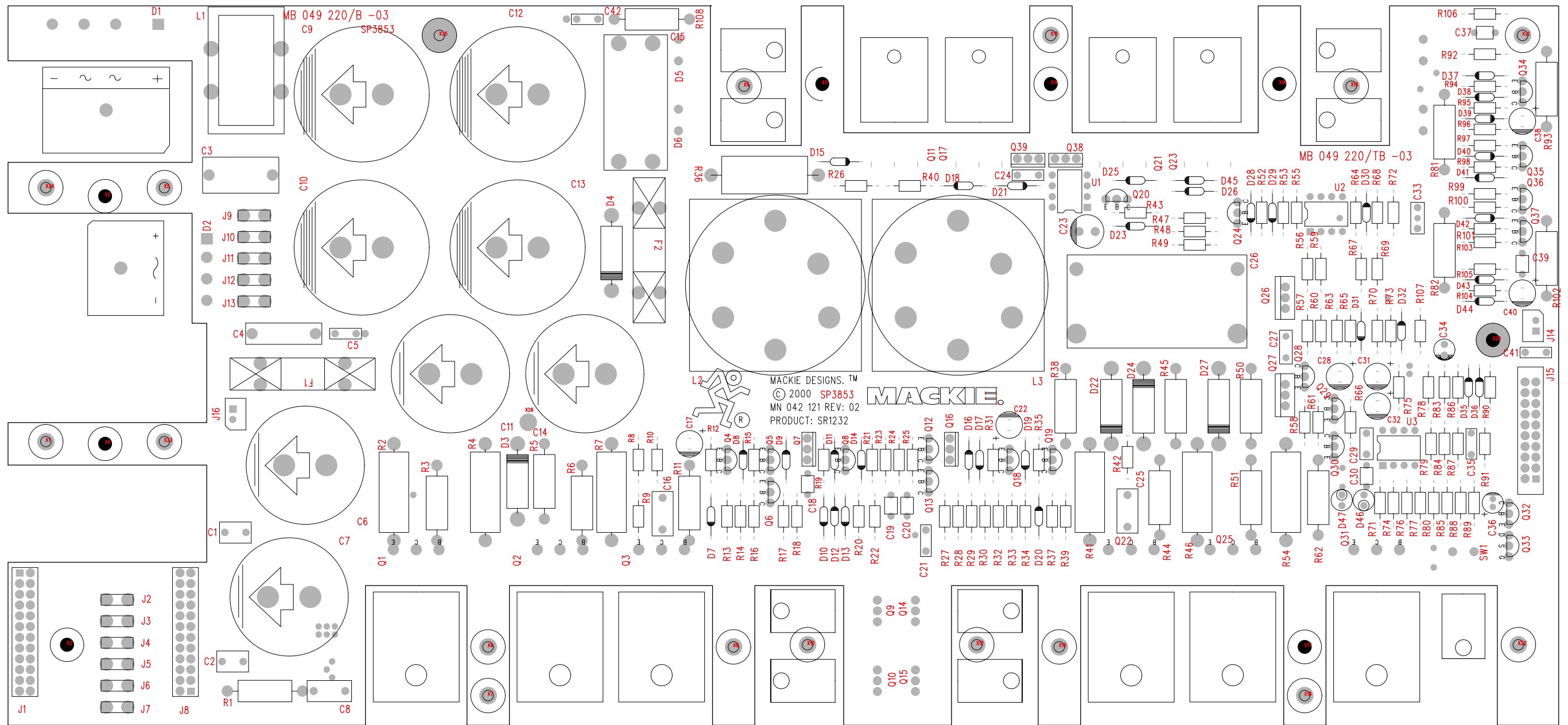
D
C
B
A



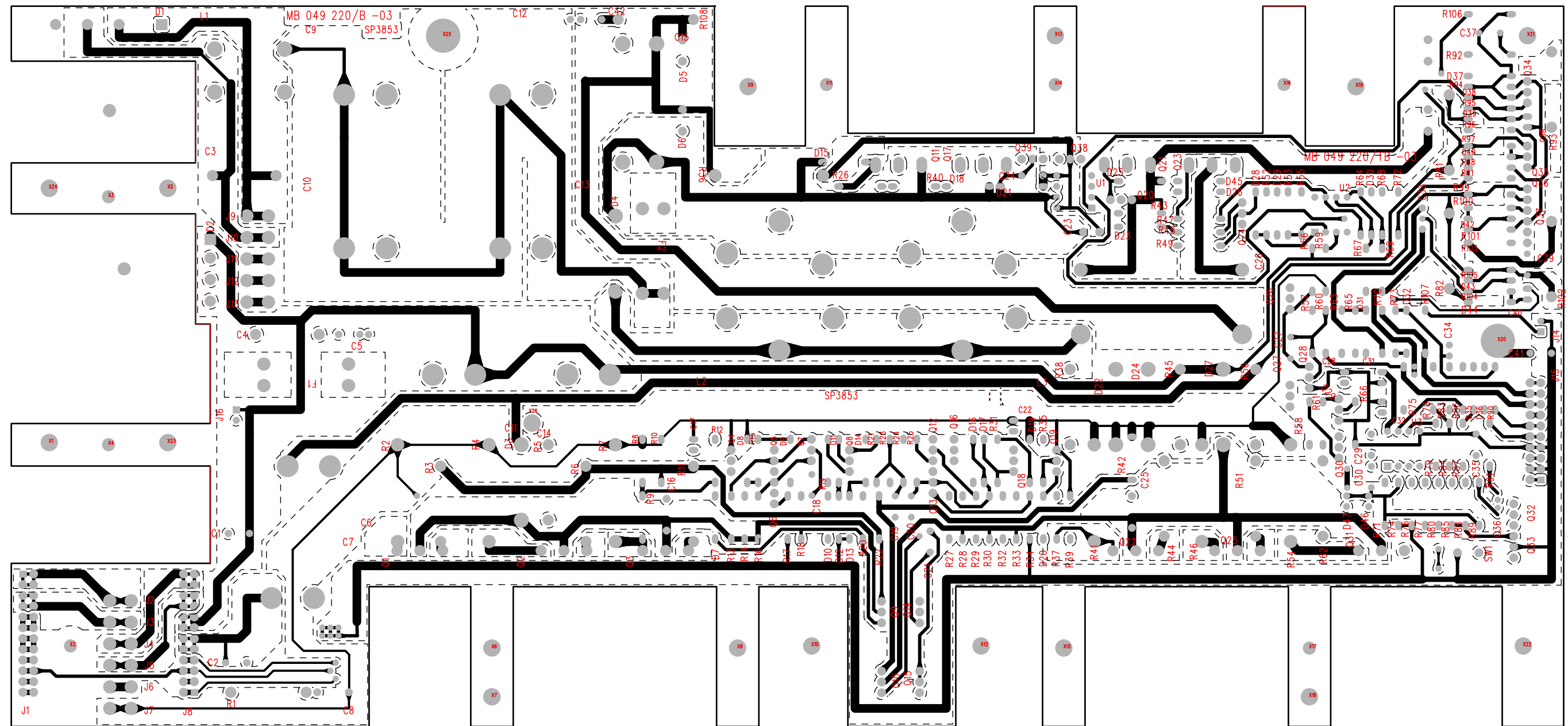
Holes for assembling:



UNLESS OTHERWISE SPECIFIED DIMENSIONS ARE IN INCHES TOLERANCES ARE: FRACTIONS: DECIMALS: ANGLES: ±NA .XX ±.01 ±NA .XXX ±.005	APPROVALS	DATE	MACKIE Mackie Designs Inc. Woodinville, Wa.
	DRAWN: STOLZ	19.9.2000	
MATERIAL: SEE NOTES	NP ENG:		SCHEMATIC, SA 1232
	MATERIAL:		
FINISH: SEE NOTES	MFG:		SIZE SCALE: DWG. NO. REV. A3 NONE MN 042 121 01
	MFG ENG:		
DO NOT SCALE DRAWING	ISSUED:		DWG FILE: MN 042 121-01 label 03.sch Label 03 SHEET 2 OF 2



Top Surface



Top Surface

The dashed line is the outline of the copper pour layer