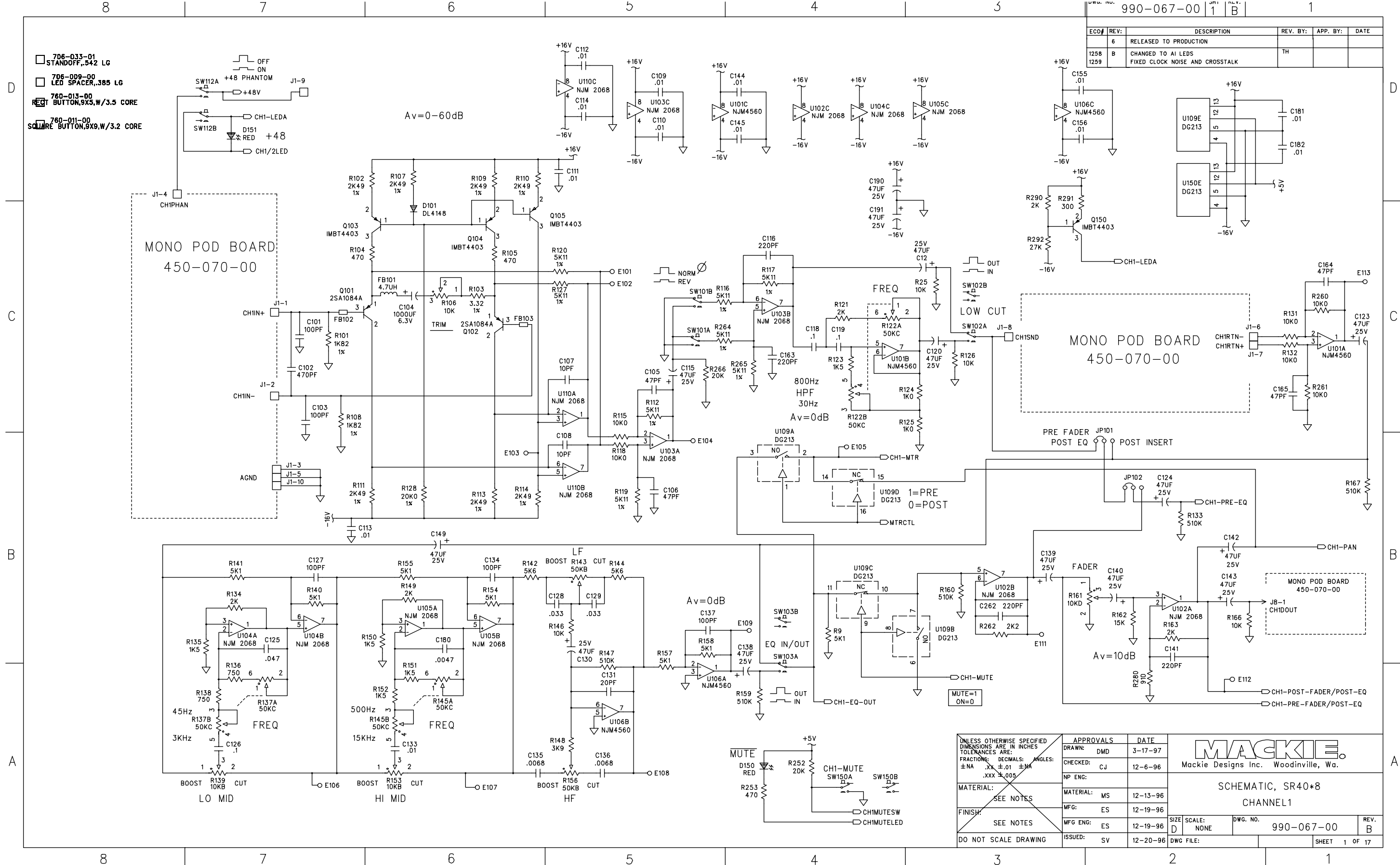


990-067-00 1 B

ECO#	REV.	DESCRIPTION	REV. BY:	APP. BY:	DATE
6		RELEASED TO PRODUCTION			
1258	B	CHANGED TO AI LEADS	TH		
1259		FIXED CLOCK NOISE AND CROSSTALK			



UNLESS OTHERWISE SPECIFIED  
DIMENSIONS ARE IN INCHES  
TOLERANCES ARE:  
FRACTIONS: DECIMALS: ANGLES:  
 $\pm NA$  .XX  $\pm .01$   $\pm NA$   
.XXX  $\pm .005$

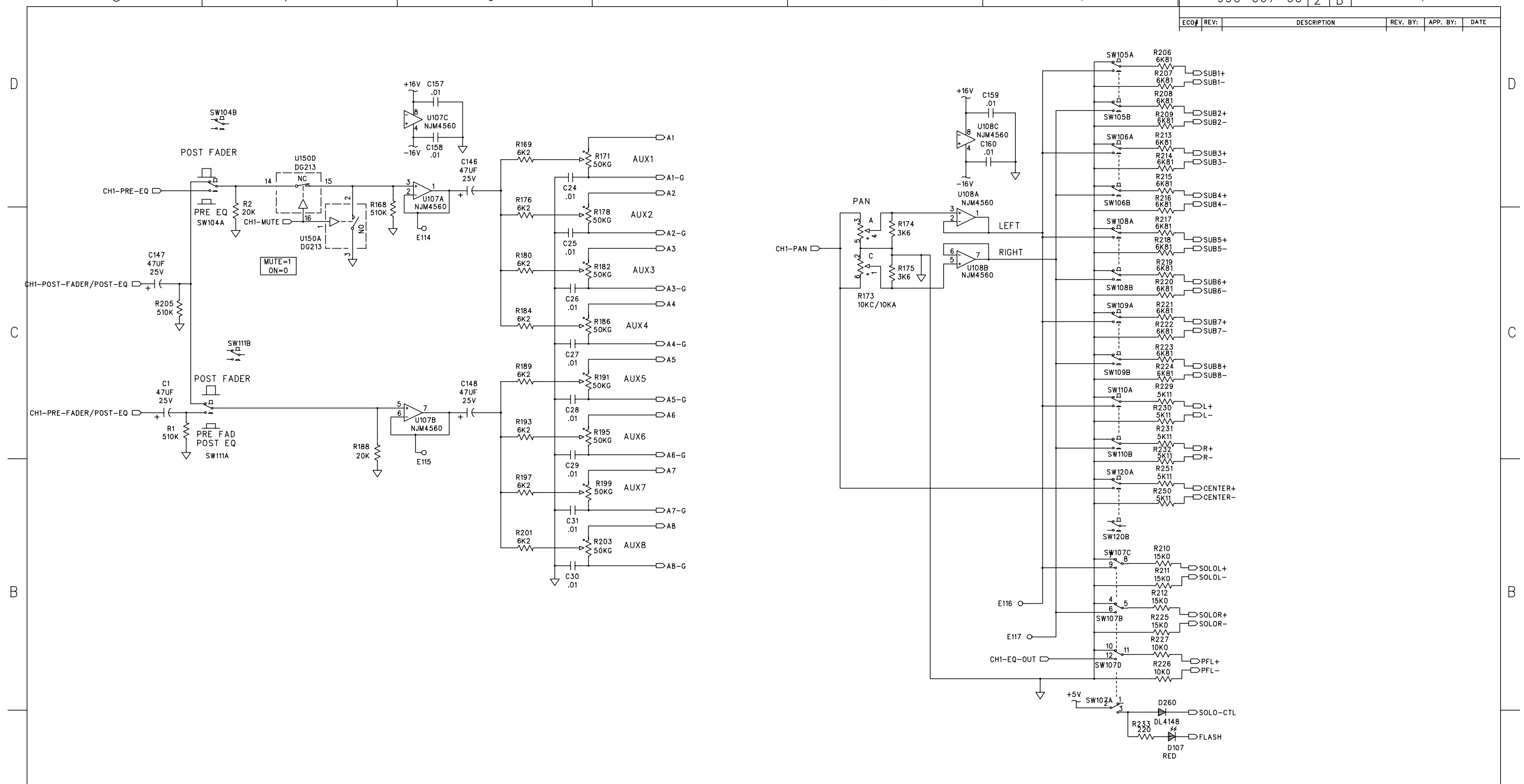
APPROVALS	DATE
DMD	3-17-97
CJ	12-6-96
MS	12-13-96
ES	12-19-96
ES	12-19-96
SV	12-20-96

**MACKIE**  
Mackie Designs Inc. Woodinville, Wa.

SCHEMATIC, SR40•8  
CHANNEL 1

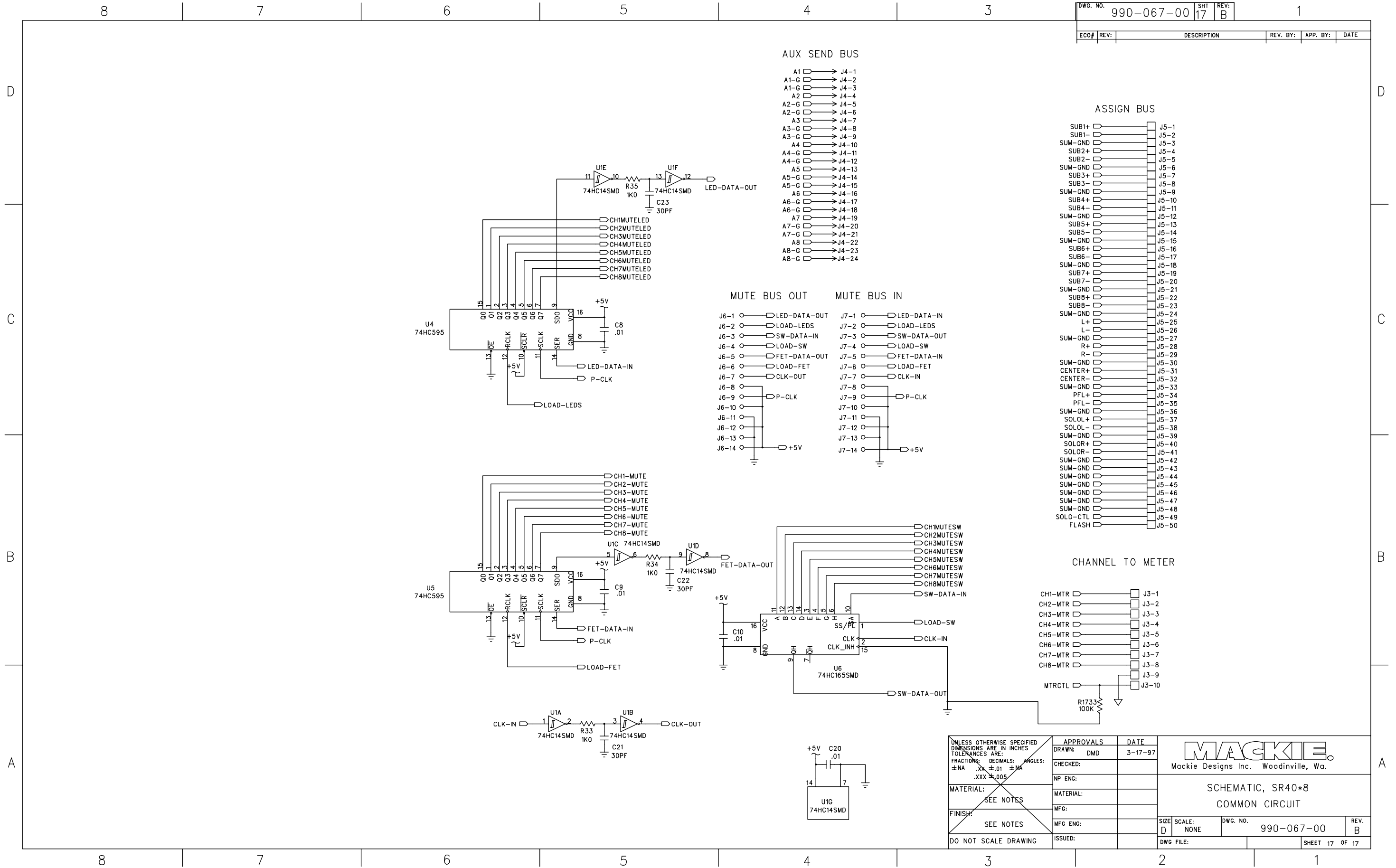
SIZE: D	SCALE: NONE	DWG. NO. 990-067-00	REV. B
---------	-------------	---------------------	--------

DO NOT SCALE DRAWING



UNLESS OTHERWISE SPECIFIED DIMENSIONS ARE IN INCHES TOLERANCES ARE: FRACTIONS: DECIMALS: ANGLES: ±NA .XX ±.01 ±NA .XXX ±.005 MATERIAL: SEE NOTES FINISH: SEE NOTES DO NOT SCALE DRAWING	APPROVALS DRAWN: DMD CHECKED: NP ENG: MATERIAL: MFG: MFG ENG: ISSUED:	DATE 3-17-97	MACKIE Mackie Designs Inc. Woodinville, Wa. SCHEMATIC, SR40*8 CHANNEL 1	SIZE: D SCALE: NONE DWG. NO. 990-067-00 REV. B SHEET 2 OF 17
	APPROVALS DATE			
	APPROVALS DATE			
	APPROVALS DATE			

ECO#	REV.	DESCRIPTION	REV. BY:	APP. BY:	DATE

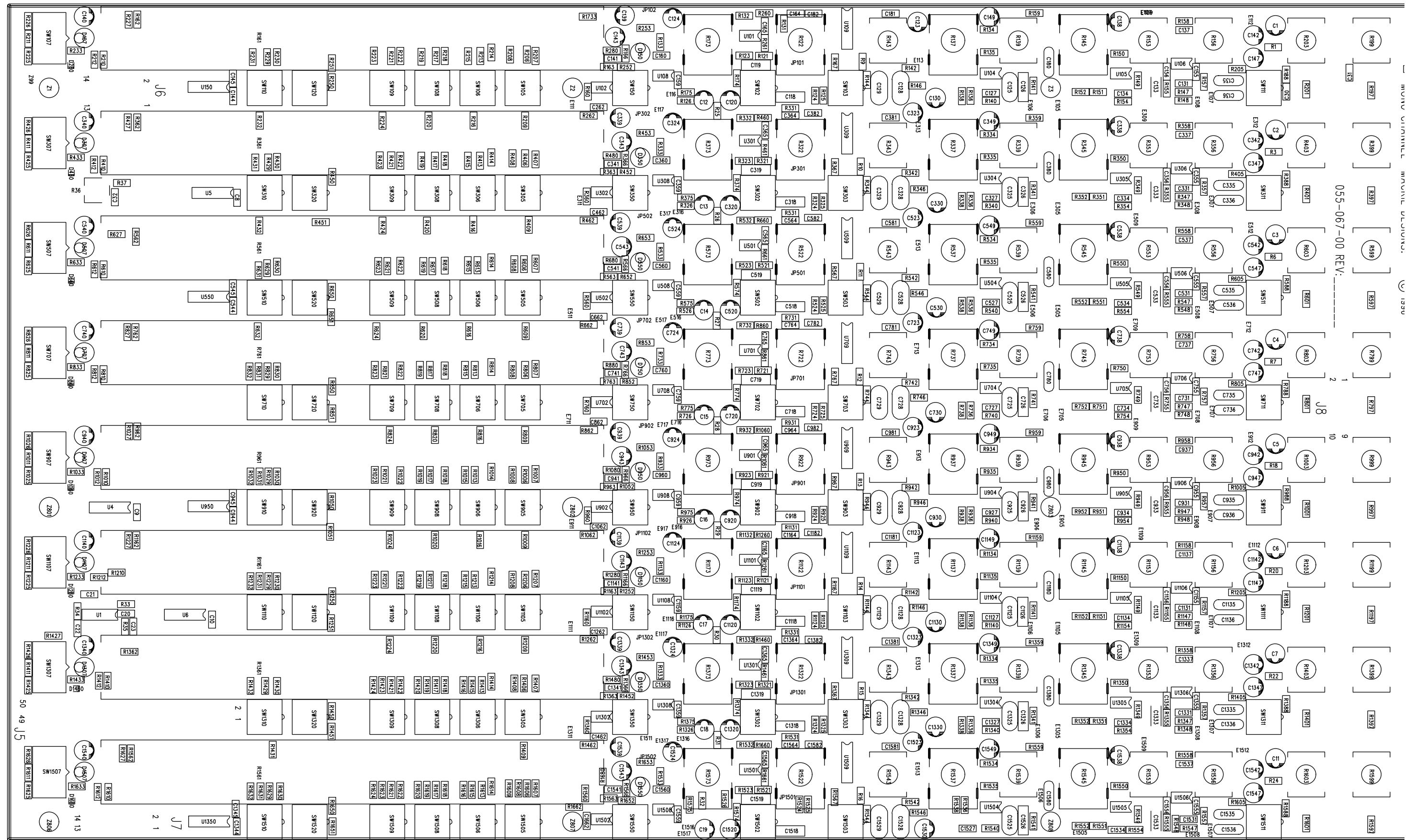


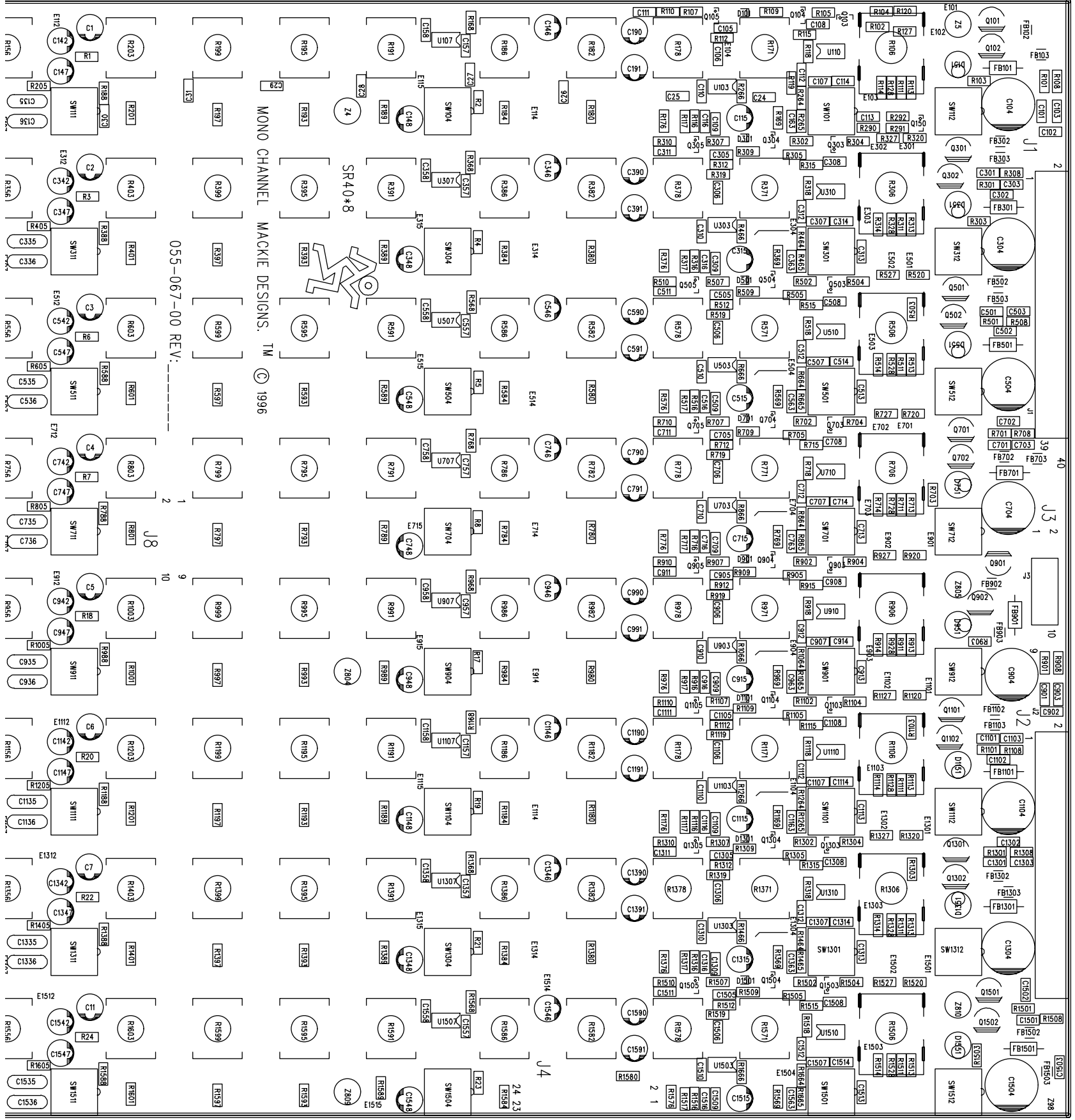
UNLESS OTHERWISE SPECIFIED DIMENSIONS ARE IN INCHES TOLERANCES ARE:		APPROVALS		DATE
FRACTIONS:	DECIMALS:	DRAWN:	DMD	3-17-97
ANGLES:	±NA .XX ±.01 ±NA .XXX ±.005	CHECKED:		
MATERIAL:	SEE NOTES	NP ENG:		
FINISH:	SEE NOTES	MATERIAL:		
DO NOT SCALE DRAWING		MFG:		
		MFG ENG:		
		ISSUED:		

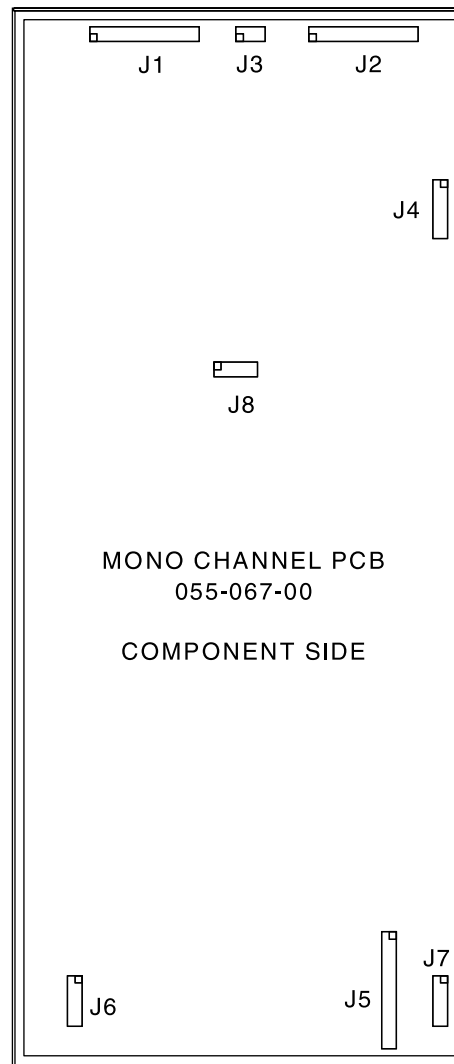
**MACKIE.**  
Mackie Designs Inc. Woodinville, Wa.

SCHEMATIC, SR40\*8  
COMMON CIRCUIT

SIZE: D	SCALE: NONE	DWG. NO. 990-067-00	REV. B
DWG. FILE:		SHEET 17 OF 17	







**J1**  
CONNECTS TO POD PCB P1  
40 PIN CABLE 040-093-00

CH 1 IN +	1	2	CH 1 IN -
CH 1 GROUND	3	4	CH 1 PHANTOM
CH 1 GROUND	5	6	CH 1 RETURN -
CH 1 RETURN +	7	8	CH 1 SEND
CH 1 48V	9	10	CH 1 GROUND
CH 2 IN +	11	12	CH 2 IN -
CH 2 GROUND	13	14	CH 2 PHANTOM
CH 2 GROUND	15	16	CH 2 RETURN -
CH 2 RETURN +	17	18	CH 2 SEND
CH 2 48V	19	20	CH 2 GROUND
CH 3 IN +	21	22	CH 3 IN -
CH 3 GROUND	23	24	CH 3 PHANTOM
CH 3 GROUND	25	26	CH 3 RETURN -
CH 3 RETURN +	27	28	CH 3 SEND
CH 3 48V	29	30	POS 16V
CH 4 IN +	31	32	CH 4 IN -
CH 4 GROUND	33	34	CH 4 PHANTOM
CH 4 GROUND	35	36	CH 4 RETURN -
CH 4 RETURN +	37	38	CH 4 SEND
CH 4 48V	39	40	POS 16V

**J2**  
CONNECTS TO POD PCB P2  
40 PIN CABLE 040-093-00

CH 5 IN +	1	2	CH 5 IN -
CH 5 GROUND	3	4	CH 5 PHANTOM
CH 5 GROUND	5	6	CH 5 RETURN -
CH 5 RETURN +	7	8	CH 5 SEND
CH 5 48V	9	10	CH 5 GROUND
CH 6 IN +	11	12	CH 6 IN -
CH 6 GROUND	13	14	CH 6 PHANTOM
CH 6 GROUND	15	16	CH 6 RETURN -
CH 6 RETURN +	17	18	CH 6 SEND
CH 6 48V	19	20	CH 6 GROUND
CH 7 IN +	21	22	CH 7 IN -
CH 7 GROUND	23	24	CH 7 PHANTOM
CH 7 GROUND	25	26	CH 7 RETURN -
CH 7 RETURN +	27	28	CH 7 SEND
CH 7 48V	29	30	NEG 16V
CH 8 IN +	31	32	CH 8 IN -
CH 8 GROUND	33	34	CH 8 PHANTOM
CH 8 GROUND	35	36	CH 8 RETURN -
CH 8 RETURN +	37	38	CH 8 SEND
CH 8 48V	39	40	NEG 16V

**J3**  
CONNECTS TO METER PCB J1  
10 PIN CABLE 040-103-00

CH 1 MTR	1	2	CH 2 MTR
CH 3 MTR	3	4	CH 4 MTR
CH 5 MTR	5	6	CH 6 MTR
CH 7 MTR	7	8	CH 8 MTR
GND	9	10	MTRCTL

**J4**  
AUX SEND BUS  
40 PIN CABLE 040-093-00

AUX 1	1	2	AUX 1 GND
AUX 1 GND	3	4	AUX 2
AUX 2 GND	5	6	AUX 2 GND
AUX 3	7	8	AUX 3 GND
AUX 3 GND	9	10	AUX 4
AUX 4 GND	11	12	AUX 4 GND
AUX 5	13	14	AUX 5 GND
AUX 5 GND	15	16	AUX 6
AUX 6 GND	17	18	AUX 6 GND
AUX 7	19	20	AUX 7 GND
AUX 7 GND	21	22	AUX 8
AUX 8 GND	23	24	AUX 8 GND

**J5**  
MAIN BUS  
50 PIN CABLE 040-092-00

SUB 1 +	1	2	SUB 1 -
GND	3	4	SUB 2 +
SUB 2 -	5	6	GND
SUB 3 +	7	8	SUB 3 -
GND	9	10	SUB 4 +
SUB 4 -	11	12	GND
SUB 5 +	13	14	SUB 5 -
GND	15	16	SUB 6 +
SUB 6 -	17	18	GND
SUB 7 +	19	20	SUB 7 -
GND	21	22	SUB 8 +
SUB 8 -	23	24	GND
LEFT +	25	26	LEFT -
GND	27	28	RIGHT +
RIGHT -	29	30	GND
CENTER +	31	32	CENTER -
GND	33	34	PFL +
PFL -	35	36	GND
SOLO L +	37	38	SOLO L -
GND	39	40	SOLO R +
SOLO R -	41	42	GND
GND	43	44	GND
GND	45	46	GND
GND	47	48	GND
SOLO CNTRL	49	50	FLASH

**J8**  
CONNECTS TO POD PCB J2  
10 PIN CABLE 040-102-00

CH 1 DIR	1	2	CH 2 DIR
CH 3 DIR	3	4	CH 4 DIR
CH 5 DIR	5	6	CH 6 DIR
CH 7 DIR	7	8	CH 8 DIR
NC	9	10	NC

**J7**  
MUTE BUS IN

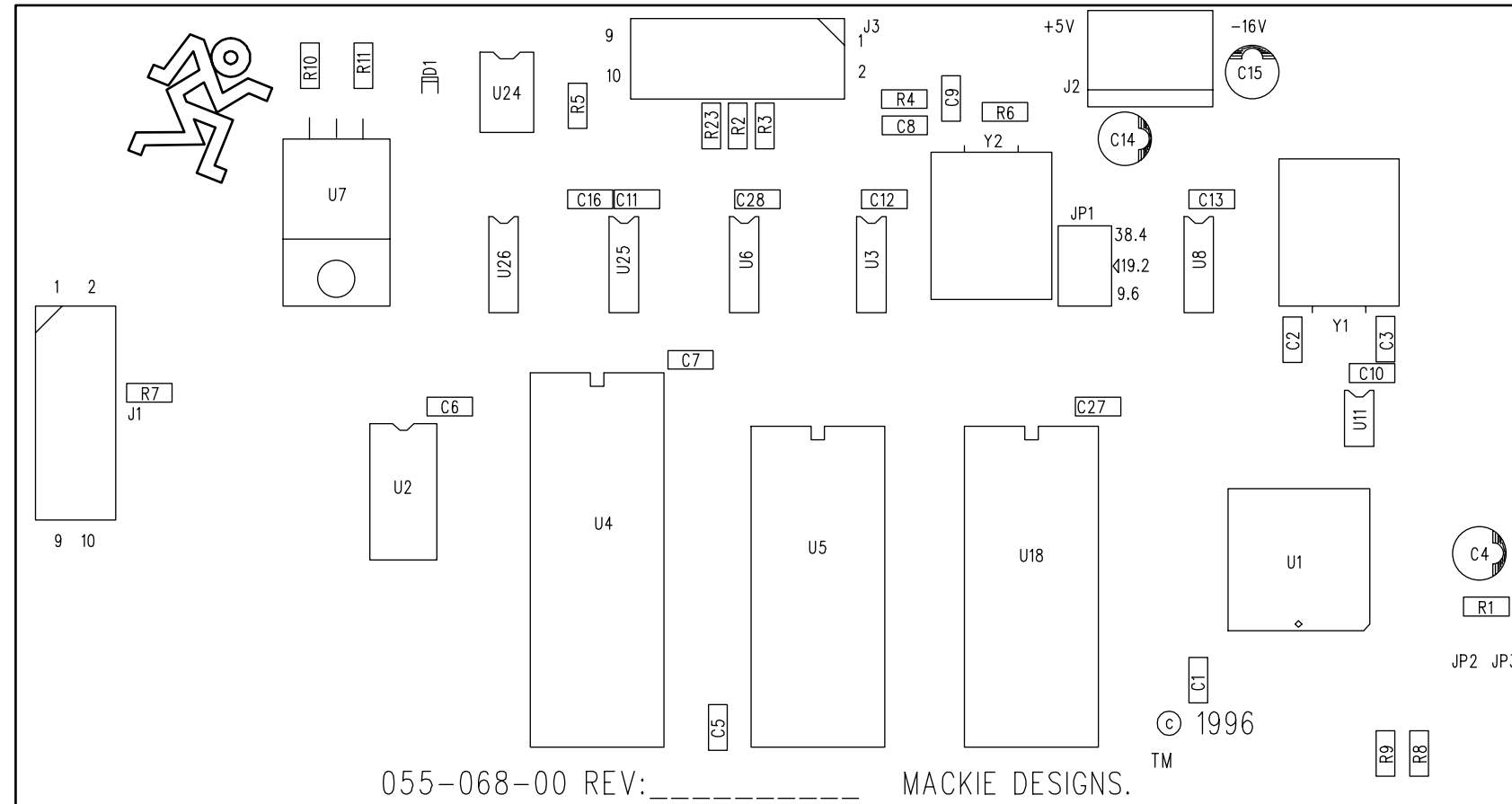
LED DATA IN	1	2	LOAD LED
SW DATA OUT	3	4	LOAD SW
FET DATA IN	5	6	LOAD FET
CLOCK	7	8	5V
P-CLK IN	9	10	5V
GND	11	12	5V
GND	13	14	5V

**J6**  
MUTE BUS OUT

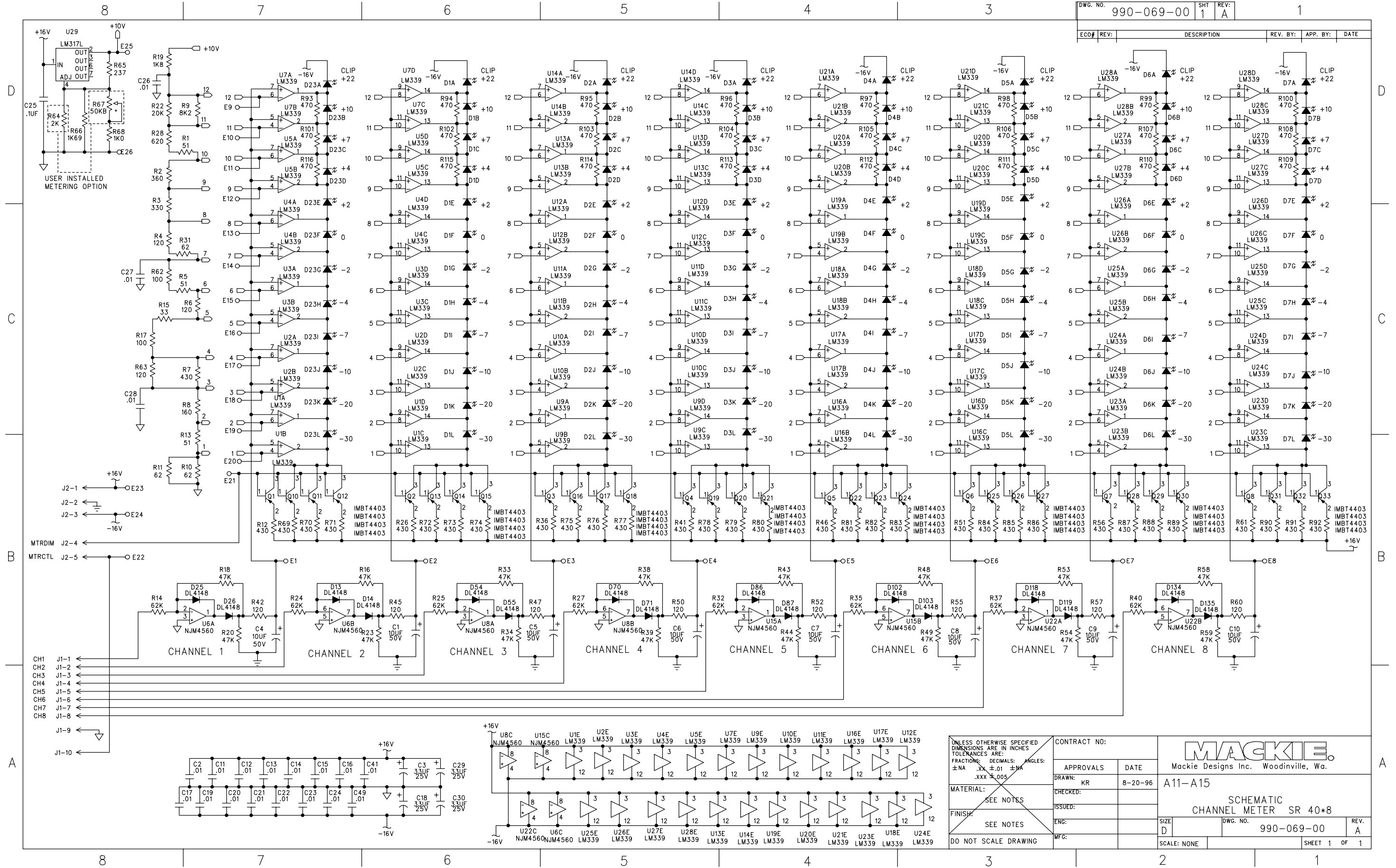
LED DATA OUT	1	2	LOAD LED
SW DATA IN	3	4	LOAD SW
FET DATA OUT	5	6	LOAD FET
CLOCK	7	8	5V
P-CLK OUT	9	10	5V
GND	11	12	5V
GND	13	14	5V

MUTE BUS CABLES  
14 PIN 2IN, 040-133-01  
14 PIN 16IN, 040-133-02  
14 PIN 30IN, 040-133-00









ECO#	REV.	DESCRIPTION	REV. BY:	APP. BY:	DATE

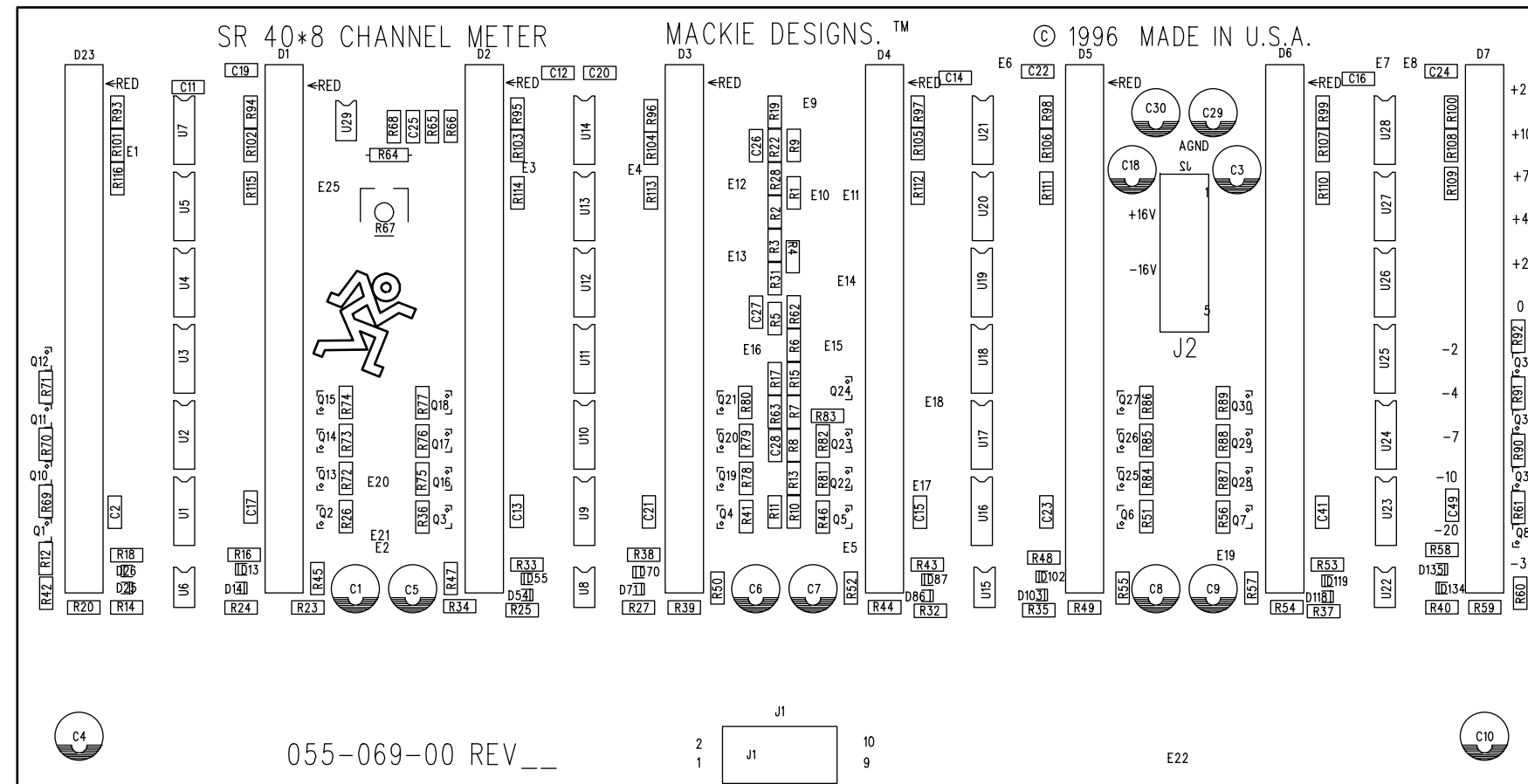
UNLESS OTHERWISE SPECIFIED  
DIMENSIONS ARE IN INCHES  
TOLERANCES ARE:  
FRACTIONS: DECIMALS: ANGLES:  
±.NA .XX ±.01 ±.NA  
.XXX ±.005

MATERIAL:  
SEE NOTES

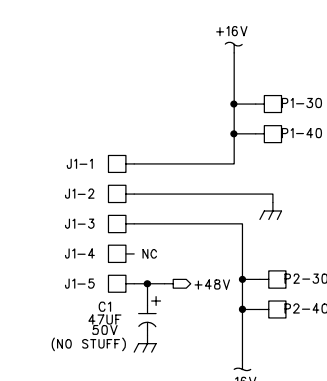
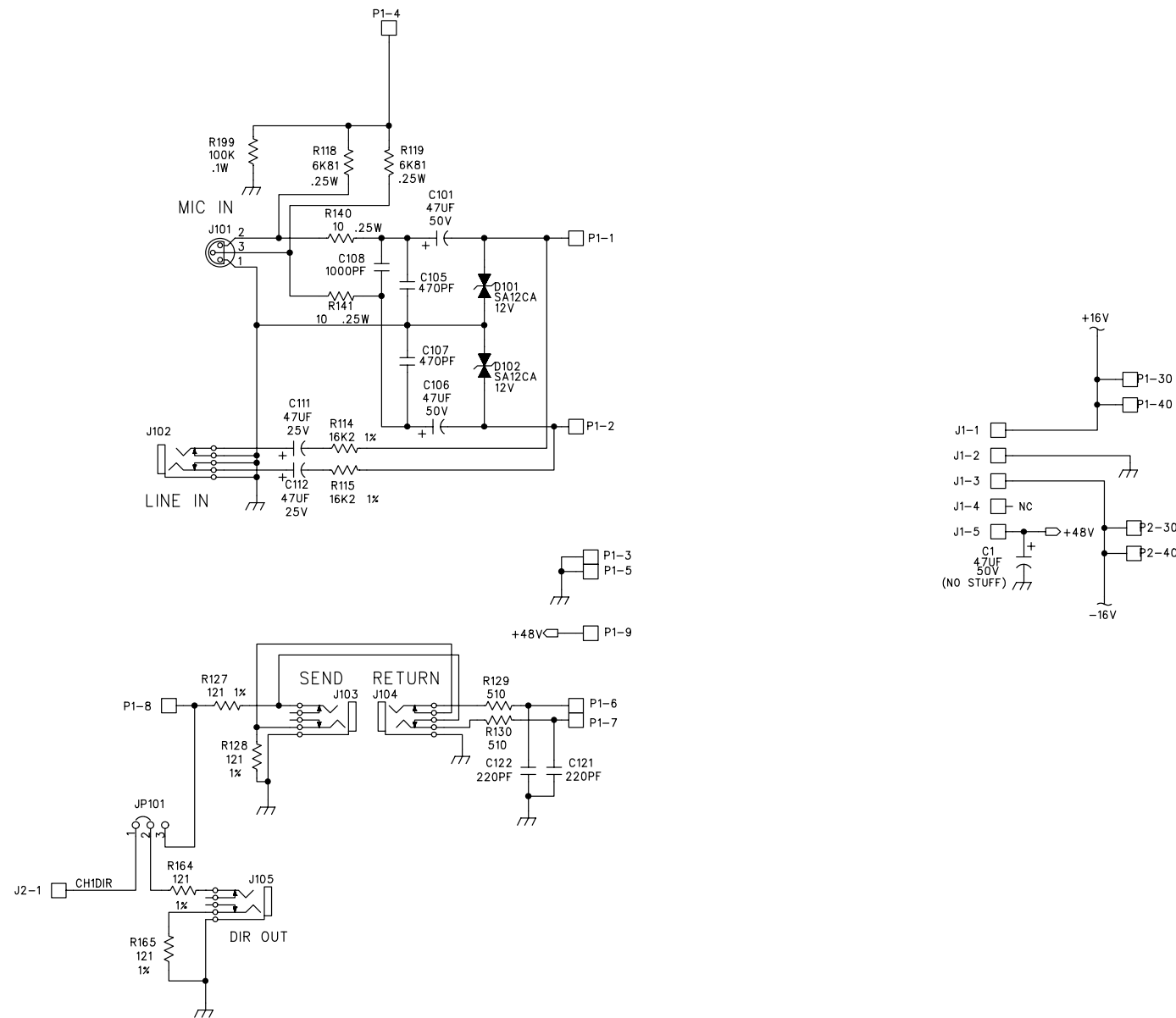
FINISH:  
SEE NOTES

DO NOT SCALE DRAWING

CONTRACT NO:		<b>MACKIE</b>	
Mackie Designs Inc. Woodville, Wa.			
APPROVALS	DATE	A11-A15	
DRAWN: KR	8-20-96	SCHEMATIC	
CHECKED:		CHANNEL METER SR 40•8	
ISSUED:		SIZE	DWG. NO. 990-069-00
ENG:		REV.	A
MFG:		SCALE: NONE	SHEET 1 OF 1

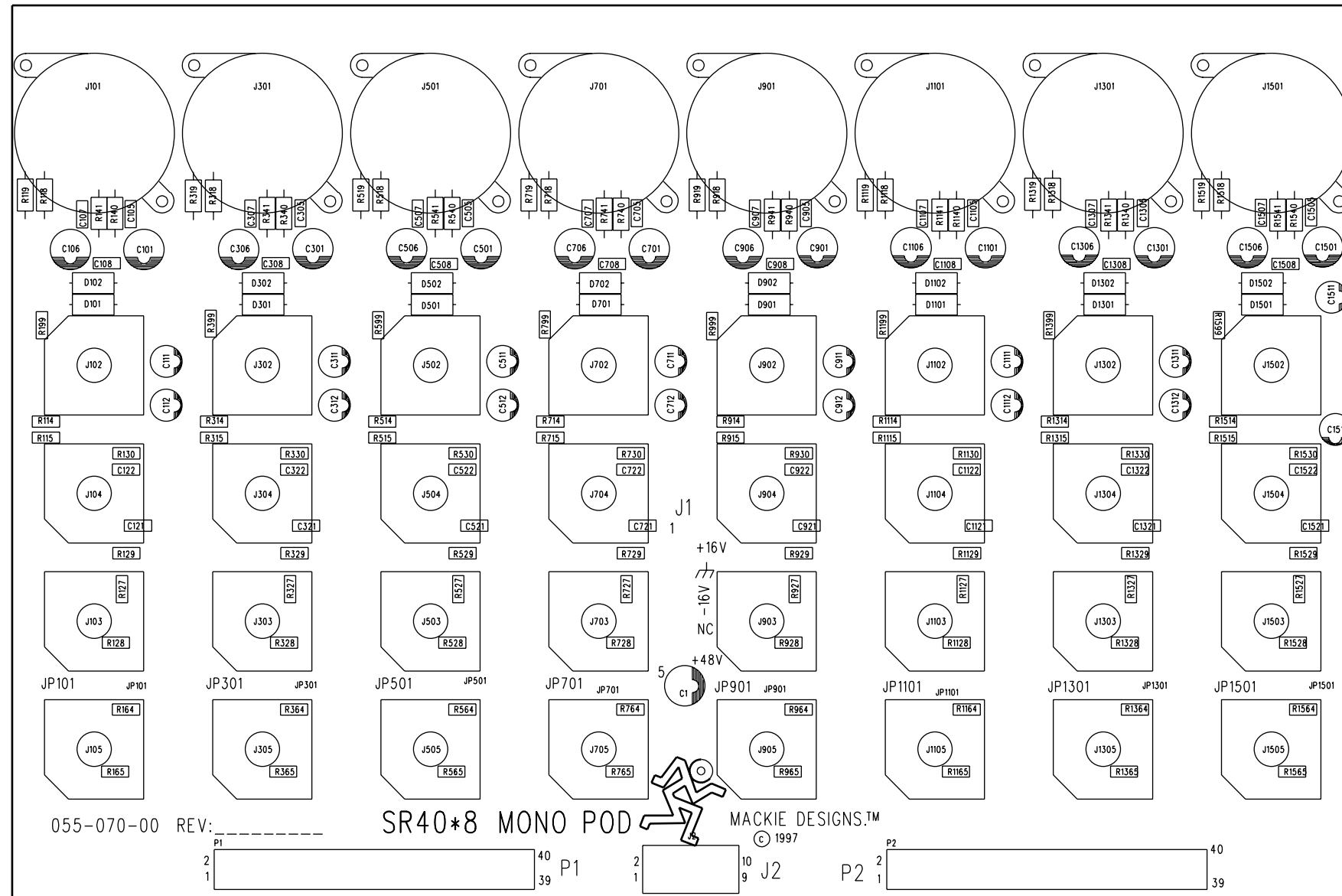


DWG. NO:	990-070-00	SHT	1	REV:	B	1
ECO#	REV:	DESCRIPTION	REV. BY:	APP. BY:	DATE	
1096	B	CORRECTED DEMINIONS ON D&T DRWG	DD			
1231		CHANGED TO BI-DIRECTIONAL DIODES				



450-070-00  
PCB, MONO POD, SR40•8

UNLESS OTHERWISE SPECIFIED DIMENSIONS ARE IN INCHES TOLERANCES ARE: FRACTIONS: .XX ±.01 ±.02 DECIMALS: .XXX ±.005 ANGLES: ±NA ±.01 ±.02 MATERIAL: SEE NOTES FINISH: SEE NOTES DO NOT SCALE DRAWING	APPROVALS	DATE	<b>MACKIE.</b> Mackie Designs Inc. Woodinville, Wa.		
	DRAWN: DMD	4-15-97			
	CHECKED: CAL PERKINS	9/9/96			
	NP ENG:				
MATERIAL: MS	9/9/96	SCHEMATIC, SR40•8 CHANNEL1, MONO POD BRD			
MFG: RICH R.	9/9/96				
MFG ENG:		SIZE: D	SCALE: NONE	DWG. NO. 990-070-00	REV. B
ISSUED: LEIGH	9/9/96	DWG FILE:			SHEET 1 OF 8



**P1**  
CONNECTS TO CHANNEL PCB J1  
40 PIN CABLE 040-093-

CH 1 IN +	1	2	CH 1 IN -
CH 1 GROUND	3	4	CH 1 PHANTOM
CH 1 RETURN +	5	6	CH 1 RETURN -
CH 1 RETURN -	7	8	CH 1 SEND
CH 1 48V	9	10	CH 1 GROUND
CH 2 IN +	11	12	CH 2 IN -
CH 2 GROUND	13	14	CH 2 PHANTOM
CH 2 RETURN +	15	16	CH 2 RETURN -
CH 2 RETURN -	17	18	CH 2 SEND
CH 2 48V	19	20	CH 2 GROUND
CH 3 IN +	21	22	CH 3 IN -
CH 3 GROUND	23	24	CH 3 PHANTOM
CH 3 RETURN +	25	26	CH 3 RETURN -
CH 3 RETURN -	27	28	CH 3 SEND
CH 3 48V	29	30	POS 16V
CH 4 IN +	31	32	CH 4 IN -
CH 4 GROUND	33	34	CH 4 PHANTOM
CH 4 RETURN +	35	36	CH 4 RETURN -
CH 4 RETURN -	37	38	CH 4 SEND
CH 4 48V	39	40	POS 16V

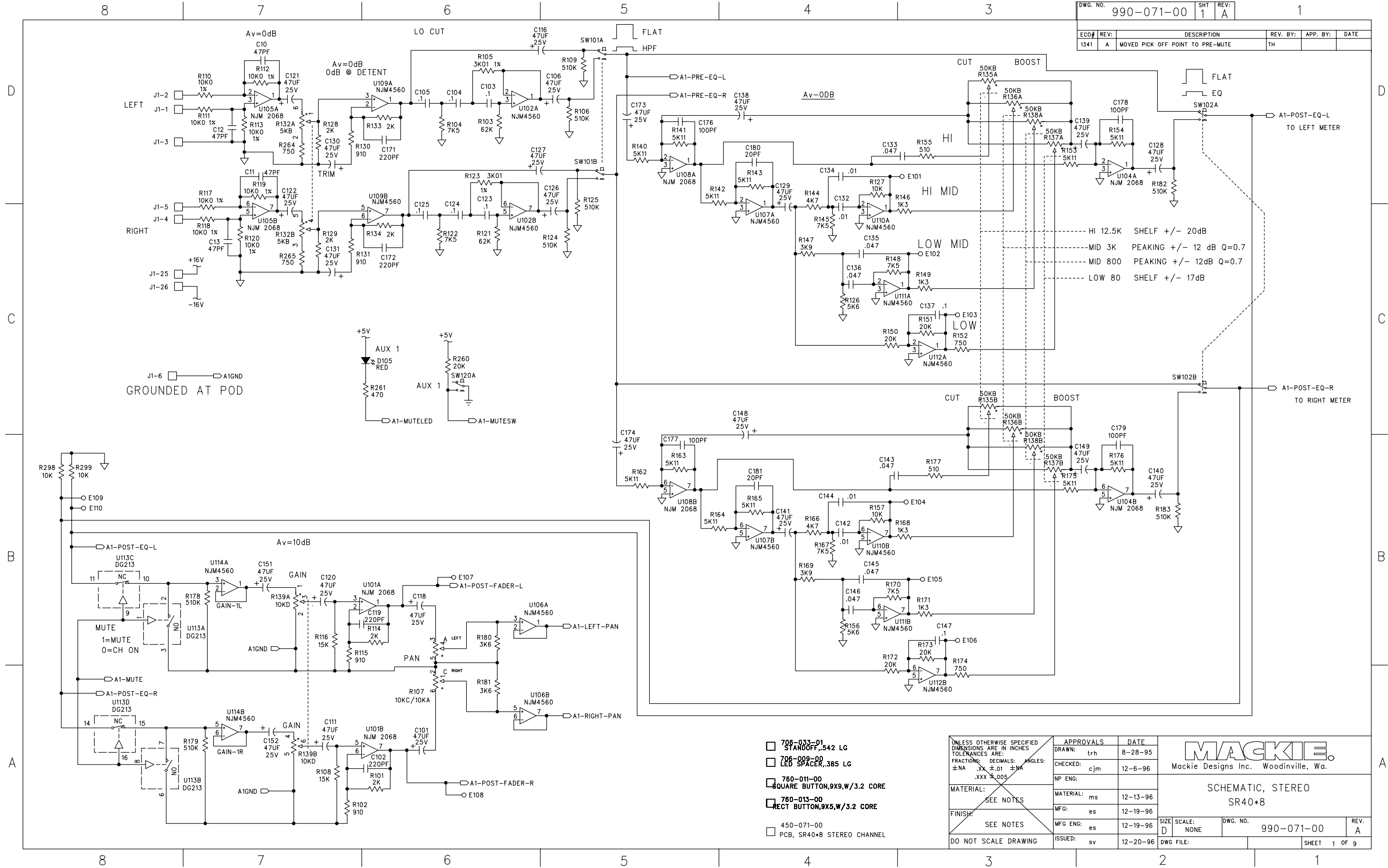
**J2**  
CONNECTS TO CHANNEL PCB J8  
10 PIN CABLE 040-102-

CH 1 DIR	1	2	CH 2 DIR
CH 3 DIR	3	4	CH 4 DIR
CH 5 DIR	5	6	CH 6 DIR
CH 7 DIR	7	8	CH 8 DIR
NC	9	10	NC

**P2**  
CONNECTS TO CHANNEL PCB J2  
40 PIN CABLE 040-093-

CH 5 IN +	1	2	CH 5 IN -
CH 5 GROUND	3	4	CH 5 PHANTOM
CH 5 RETURN +	5	6	CH 5 RETURN -
CH 5 RETURN -	7	8	CH 5 SEND
CH 5 48V	9	10	CH 5 GROUND
CH 6 IN +	11	12	CH 6 IN -
CH 6 GROUND	13	14	CH 6 PHANTOM
CH 6 RETURN +	15	16	CH 6 RETURN -
CH 6 RETURN -	17	18	CH 6 SEND
CH 6 48V	19	20	CH 6 GROUND
CH 7 IN +	21	22	CH 7 IN -
CH 7 GROUND	23	24	CH 7 PHANTOM
CH 7 RETURN +	25	26	CH 7 RETURN -
CH 7 RETURN -	27	28	CH 7 SEND
CH 7 48V	29	30	NEG 16V
CH 8 IN +	31	32	CH 8 IN -
CH 8 GROUND	33	34	CH 8 PHANTOM
CH 8 RETURN +	35	36	CH 8 RETURN -
CH 8 RETURN -	37	38	CH 8 SEND
CH 8 48V	39	40	NEG 16V

ECO#	REV.	DESCRIPTION	REV. BY.	APP. BY.	DATE
1341	A	MOVED PICK OFF POINT TO PRE-MUTE	TH		



- 706-033-01 STANDOFF, .542 LG
- 706-009-00 LED SPACER, .385 LG
- 760-011-00 SQUARE BUTTON, 9X9, W/3.2 CORE
- 760-013-00 RECT BUTTON, 9X5, W/3.2 CORE
- 450-071-00 PCB, SR40•8 STEREO CHANNEL

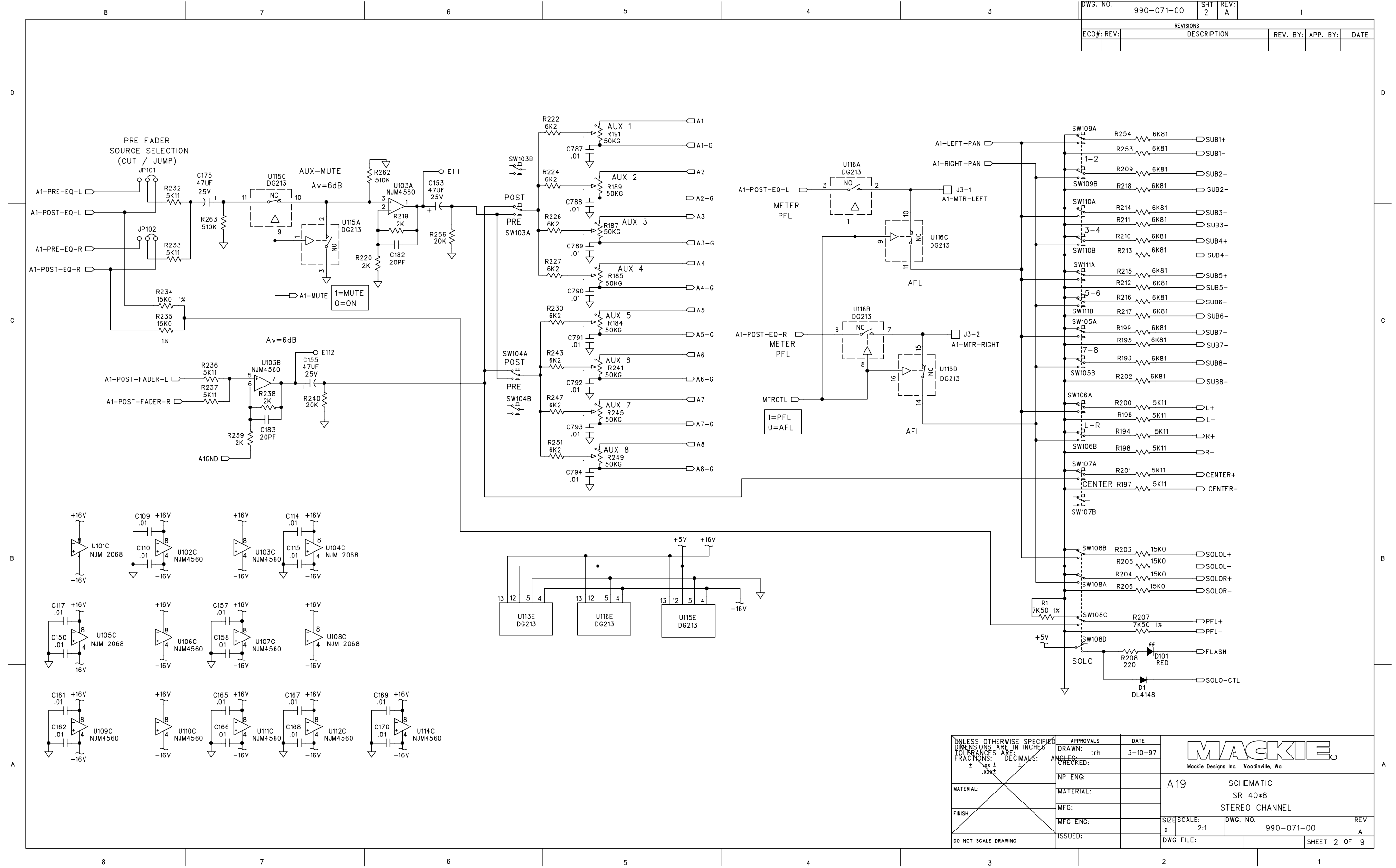
UNLESS OTHERWISE SPECIFIED DIMENSIONS ARE IN INCHES TOLERANCES ARE:	APPROVALS		DATE
	DRAWN:	trh	8-28-95
FRACTIONS: DECIMALS: ANGLES:	CHECKED:	cjm	12-6-96
±NA .XX ±.01 ±NA .XXX ±.005	NP ENG:		
MATERIAL:	MATERIAL:	ms	12-13-96
SEE NOTES	MFG:	es	12-19-96
SEE NOTES	MFG ENG:	es	12-19-96
DO NOT SCALE DRAWING	ISSUED:	sv	12-20-96

**MACKIE**  
Mackie Designs Inc. Woodinville, Wa.

SCHEMATIC, STEREO  
SR40•8

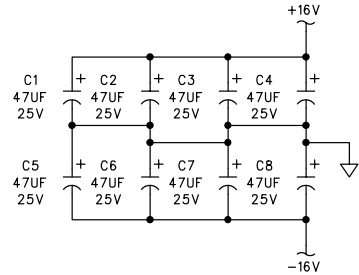
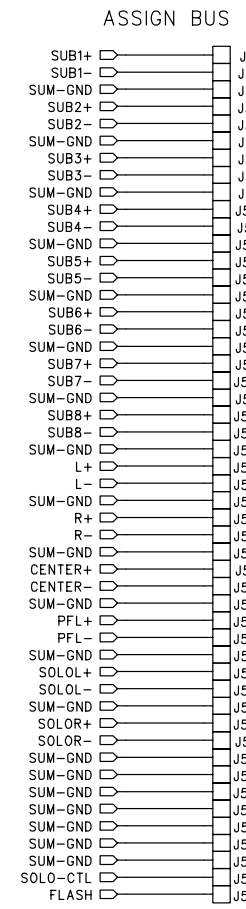
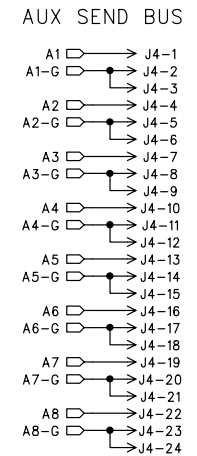
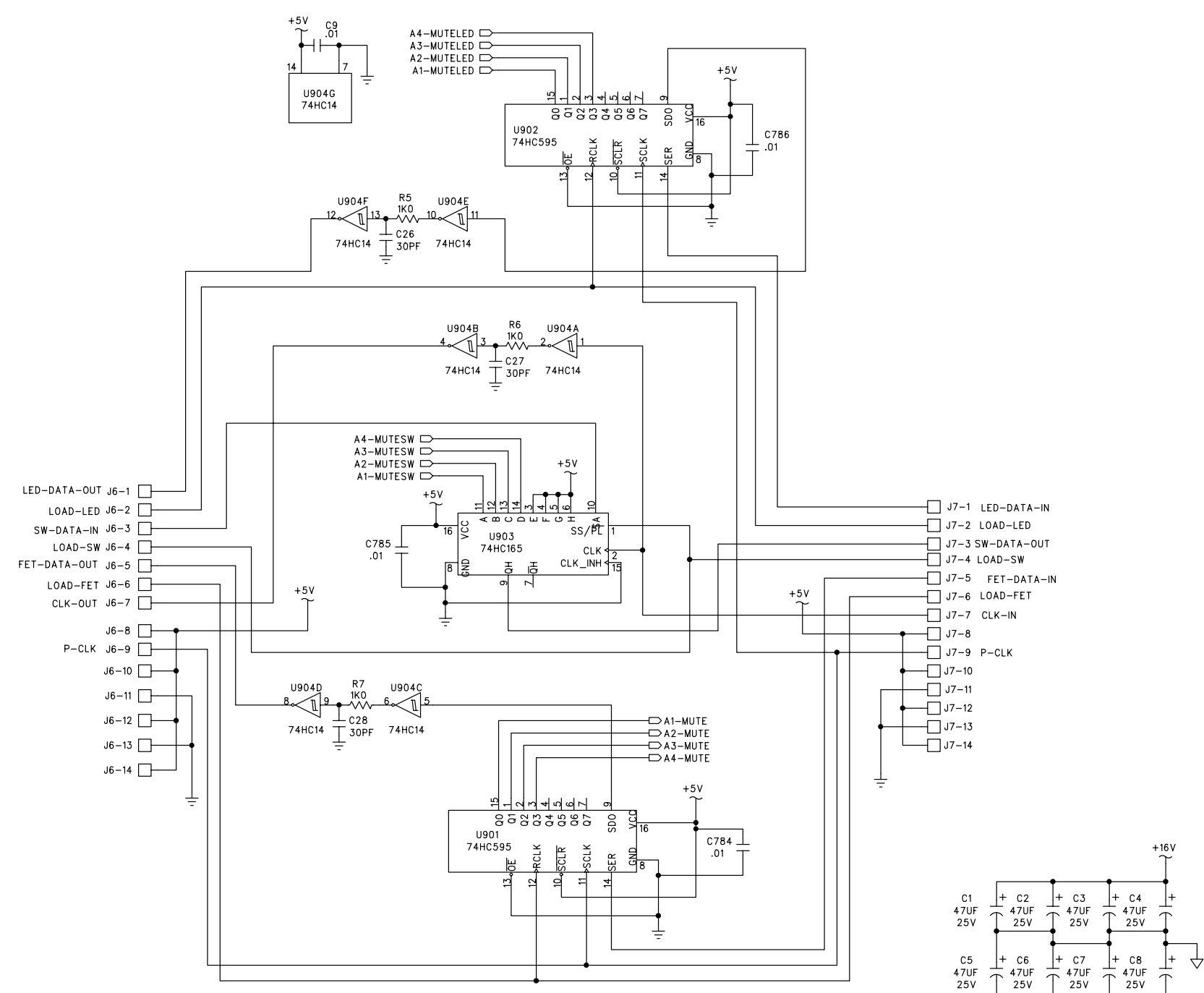
SIZE	SCALE:	DWG. NO.	REV.
D	NONE	990-071-00	A
DWG. FILE:		SHEET 1 OF 9	

DWG. NO.	990-071-00	SHT	REV.	2	A
REVISIONS					
ECO#	REV.	DESCRIPTION	REV. BY:	APP. BY:	DATE



UNLESS OTHERWISE SPECIFIED DIMENSIONS ARE IN INCHES TOLERANCES ARE: FRACTIONS: ± .xxx DECIMALS: ± .xxx	APPROVALS	DATE	<b>MACKIE</b> Mackie Designs Inc. Woodinville, Wa.	
	DRAWN: trh	3-10-97		
	NP ENG:			
	CHECKED:			
MATERIAL:	MATERIAL:	A19 SCHEMATIC SR 40•8 STEREO CHANNEL		
MFG:	MFG:			
FINISH:	MFG ENG:	SIZE SCALE: 2:1	DWG. NO. 990-071-00	REV. A
DO NOT SCALE DRAWING	ISSUED:	DWG FILE:	SHEET 2 OF 9	

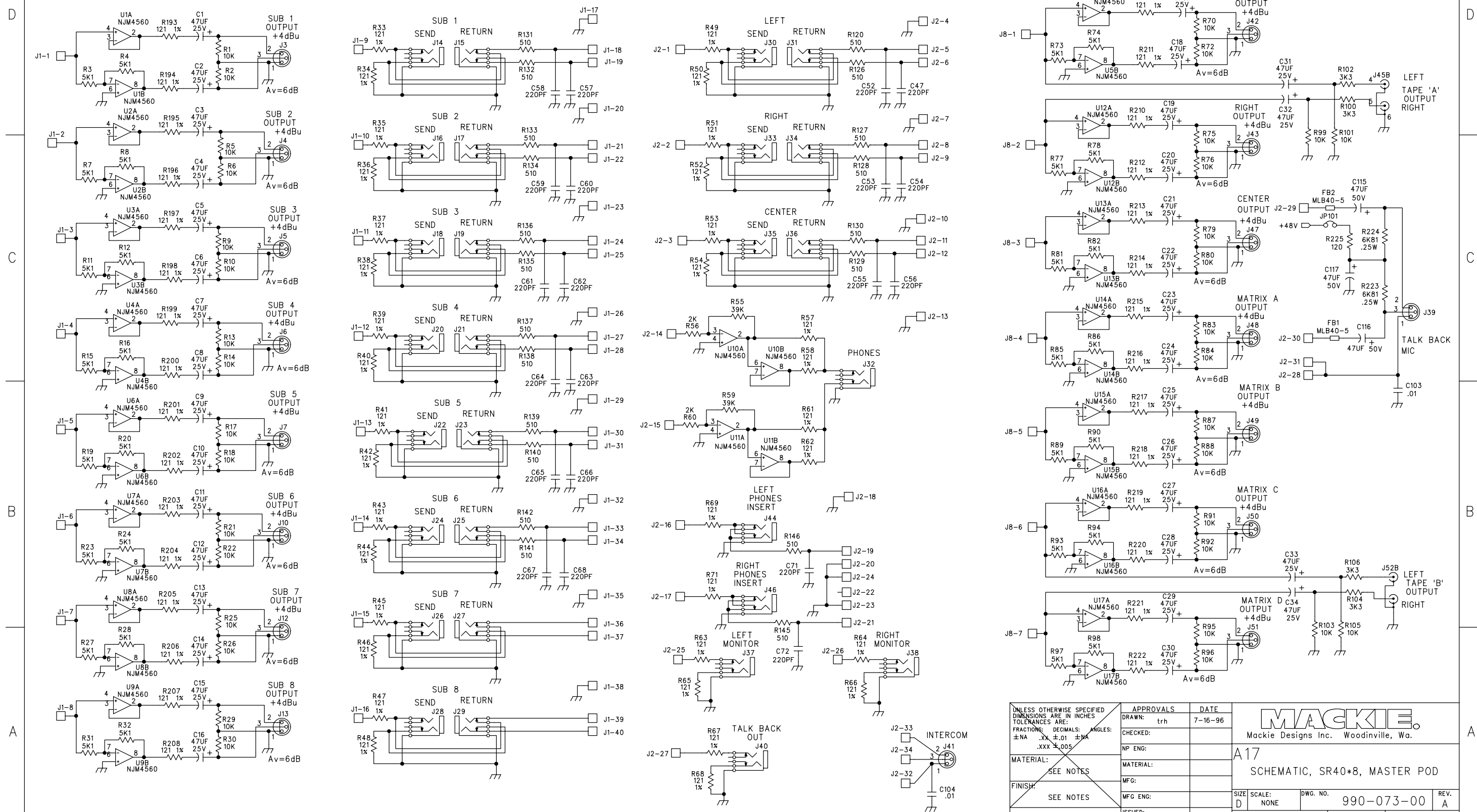
REVISIONS			
ECO#	REV:	DESCRIPTION	DATE



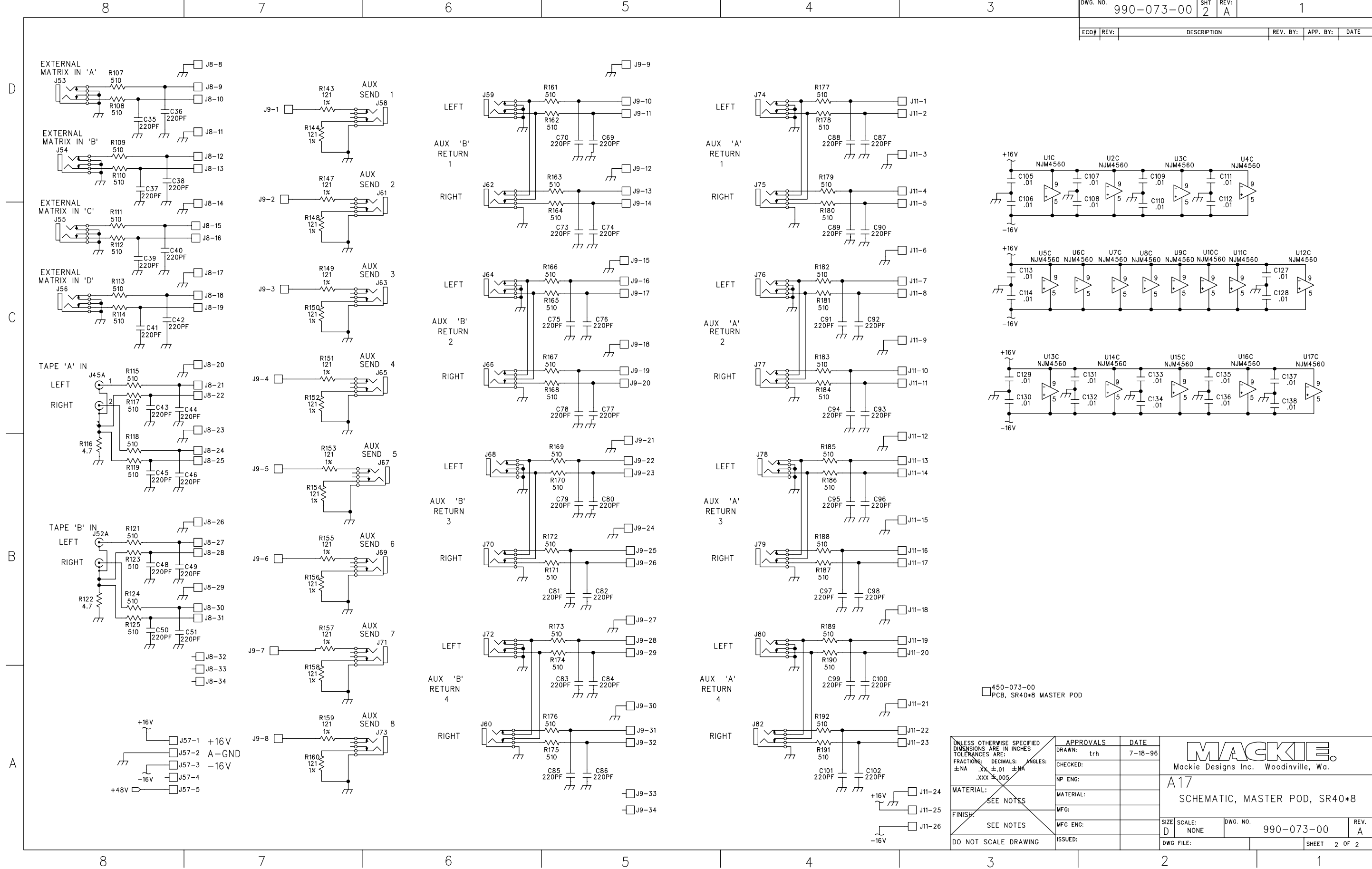
UNLESS OTHERWISE SPECIFIED DIMENSIONS ARE IN INCHES TOLERANCES ARE: FRACTIONS: ± .005 DECIMALS: ± .001 MATERIAL: FINISH: DO NOT SCALE DRAWING	APPROVALS	DATE	<b>MACKIE</b> Mackie Designs Inc. Woodinville, Wa.
	DRAWN: trh	3-10-97	
	CHECKED:		
	NP ENG:		
MATERIAL:	MATERIAL:		A19
MFG:	MFG:		SCHEMATIC
MFG ENG:	MFG ENG:		SR 40•8
ISSUED:	ISSUED:		STEREO CHANNEL MUTE
			SIZE SCALE: 2:1
			DWG. NO. 990-071-00
			REV. A
			DWG FILE:
			SHEET 9 OF 9





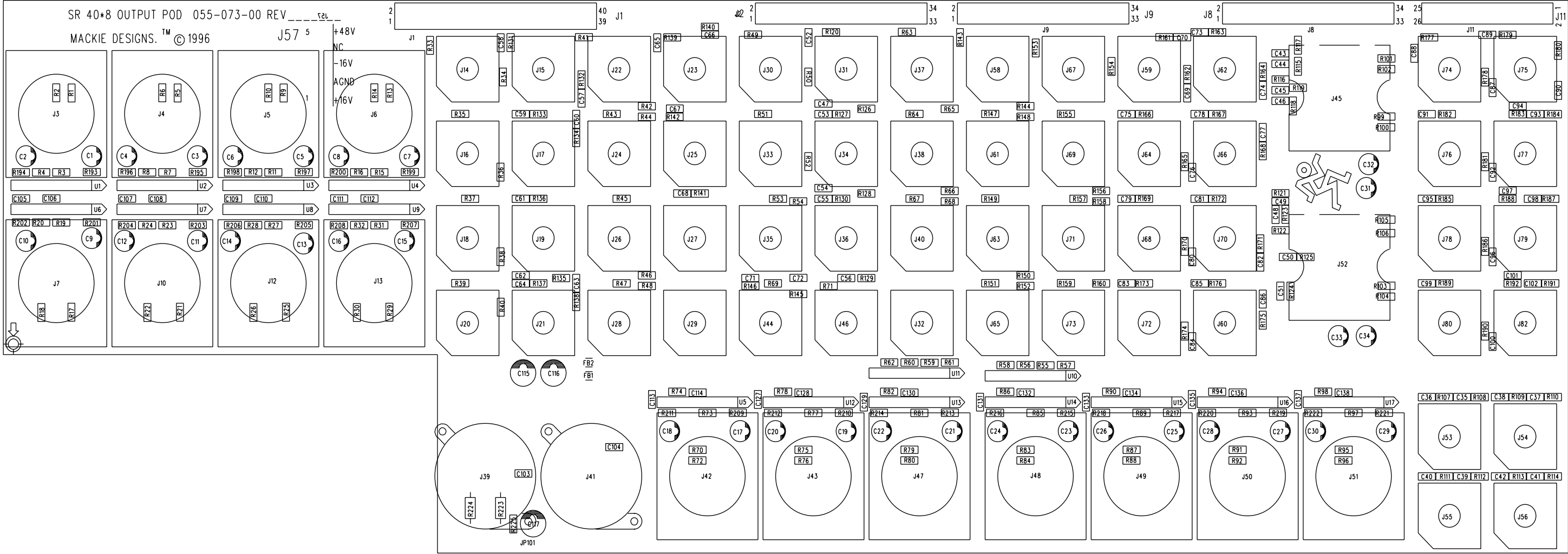


UNLESS OTHERWISE SPECIFIED DIMENSIONS ARE IN INCHES. TOLERANCES ARE: FRACTIONS: DECIMALS: ANGLES: ±.010 ±.005 ±.010 ±.005 MATERIAL: SEE NOTES FINISH: SEE NOTES DO NOT SCALE DRAWING	APPROVALS DRAWN: trh CHECKED: NP ENG:	DATE 7-16-96	MACKIE. Mackie Designs Inc. Woodville, Wa. A17 SCHEMATIC, SR40*8, MASTER POD SIZE SCALE: NONE DWG. NO. 990-073-00 REV. A SHEET 1 OF 2
	MATERIAL: SEE NOTES FINISH: SEE NOTES	MATERIAL: MFG: MFG ENG:	
	DO NOT SCALE DRAWING	ISSUED:	
	DWG FILE:	SHEET 1 OF 2	

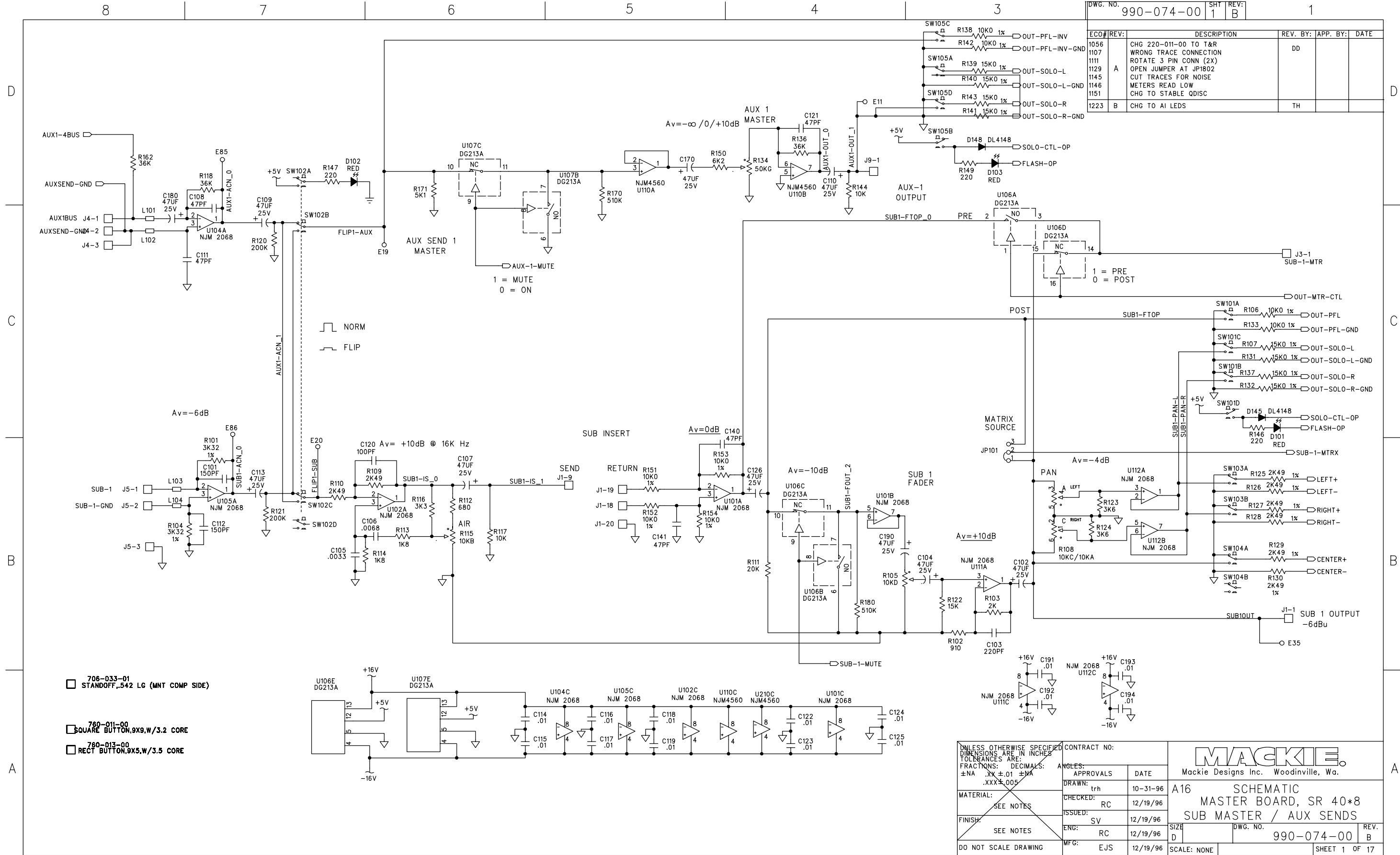


450-073-00  
PCB, SR40•8 MASTER POD

UNLESS OTHERWISE SPECIFIED DIMENSIONS ARE IN INCHES TOLERANCES ARE: FRACTIONS: DECIMALS: ANGLES: ±NA .XX ±.01 ±MA .XXX ±.005	APPROVALS	DATE	 Mackie Designs Inc. Woodinville, Wa.
	DRAWN: trh	7-18-96	
	CHECKED:		
	NP ENG:		
MATERIAL:	MATERIAL:	A17	
SEE NOTES	MFG:	SCHEMATIC, MASTER POD, SR40•8	
SEE NOTES	MFG ENG:	SIZE D	SCALE: NONE
DO NOT SCALE DRAWING	ISSUED:	DWG. NO.	990-073-00
		REV.	A
		DWG. FILE:	SHEET 2 OF 2

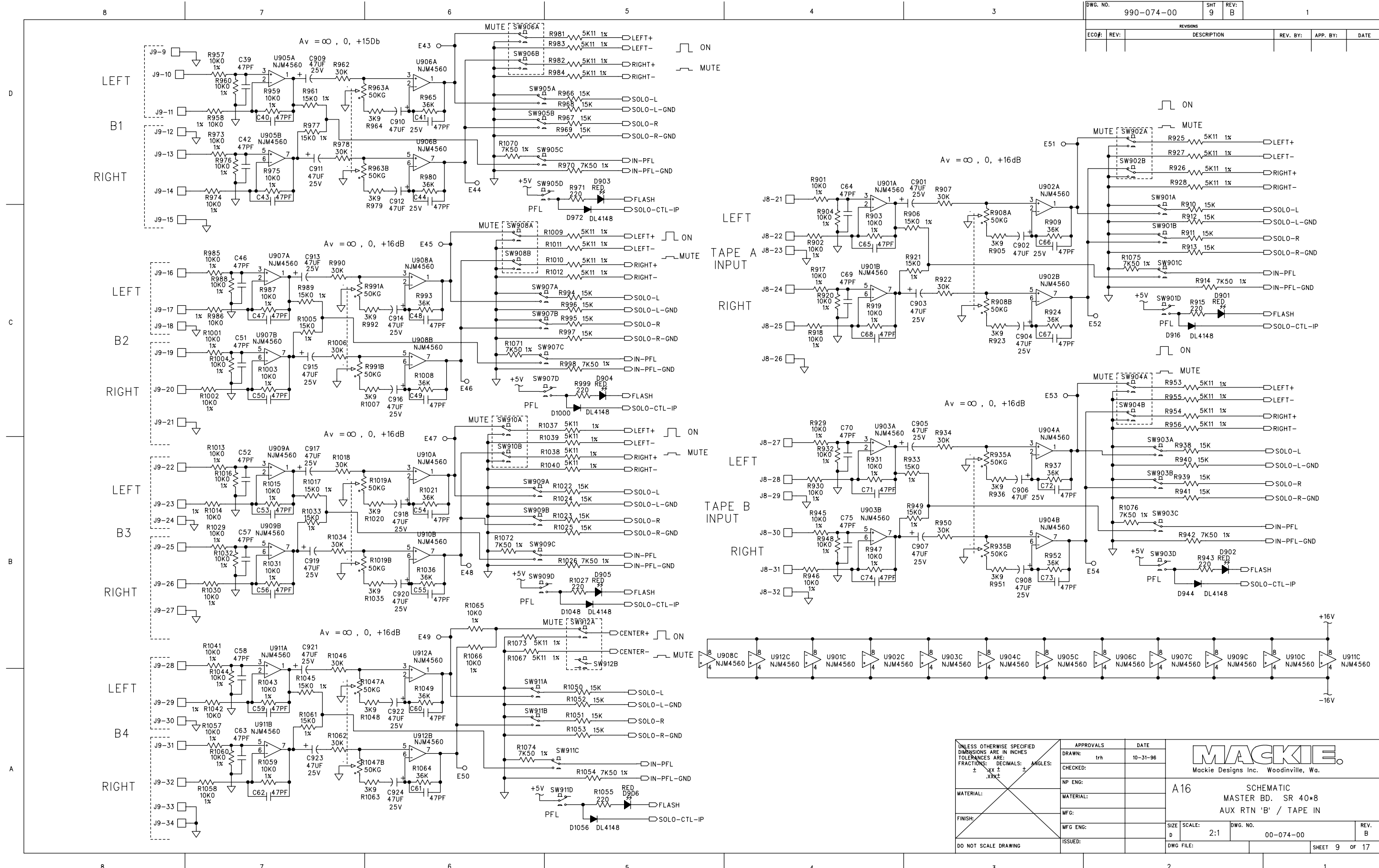


ECO#	REV:	DESCRIPTION	REV. BY:	APP. BY:	DATE
1056	A	CHG 220-011-00 TO T&R	DD		
1107		WRONG TRACE CONNECTION			
1111		ROTATE 3 PIN CONN (2X)			
1129		OPEN JUMPER AT JP1802			
1145		CUT TRACES FOR NOISE			
1146		METERS READ LOW			
1151		CHG TO STABLE QDISC			
1223	B	CHG TO AI LEDS	TH		



- 706-033-01 STANDOFF, .542 LG (MNT COMP SIDE)
- 780-011-00 SQUARE BUTTON, 9X9, W/3.2 CORE
- 780-013-00 RECT BUTTON, 9X5, W/3.5 CORE

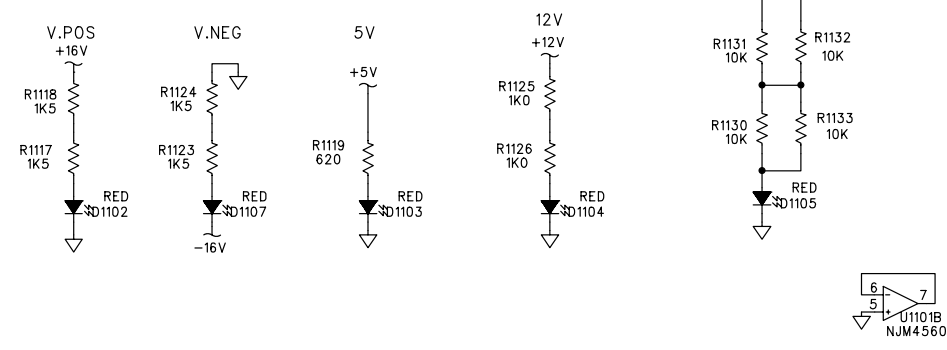
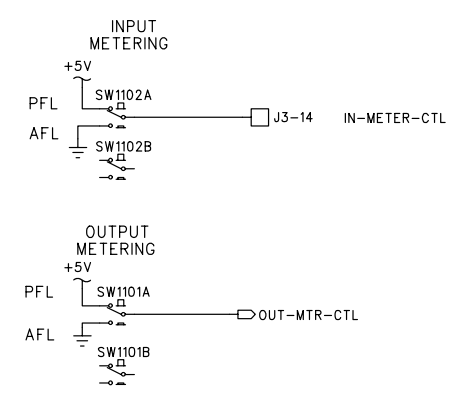
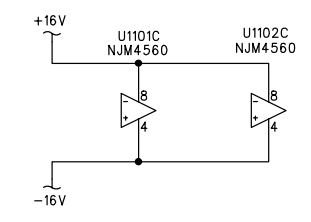
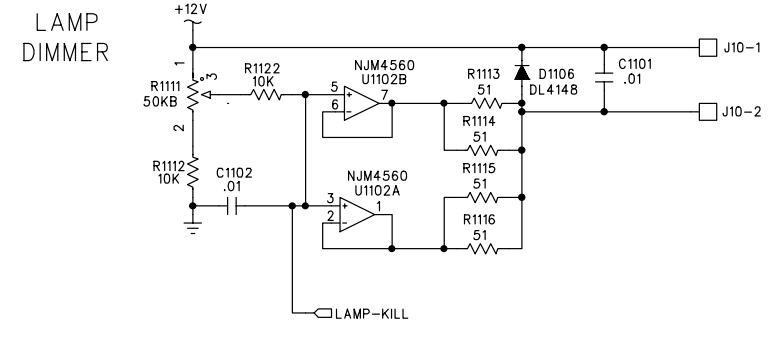
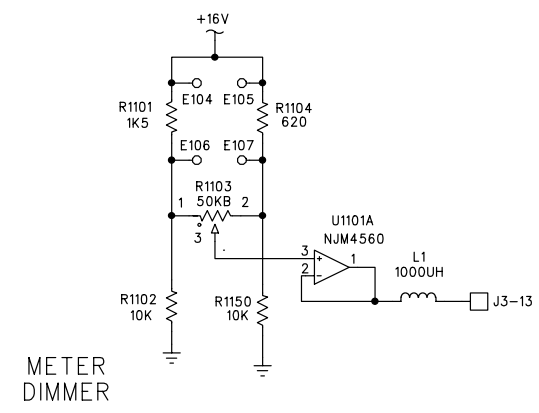
UNLESS OTHERWISE SPECIFIED DIMENSIONS ARE IN INCHES TOLERANCES ARE: FRACTIONS: DECIMALS: ±.NA .XX ±.01 ±.NA .XXX ±.005		CONTRACT NO:		<b>MACKIE</b> Mackie Designs Inc. Woodville, Wa.	
MATERIAL: SEE NOTES		APPROVALS			
FINISH: SEE NOTES		DATE		A16 SCHEMATIC	
DO NOT SCALE DRAWING		MFG: EJS 12/19/96		MASTER BOARD, SR 40*8	
		SCALE: NONE		SUB MASTER / AUX SENDS	
		DWG. NO. 990-074-00		REV. B	
		SHEET 1 OF 17			



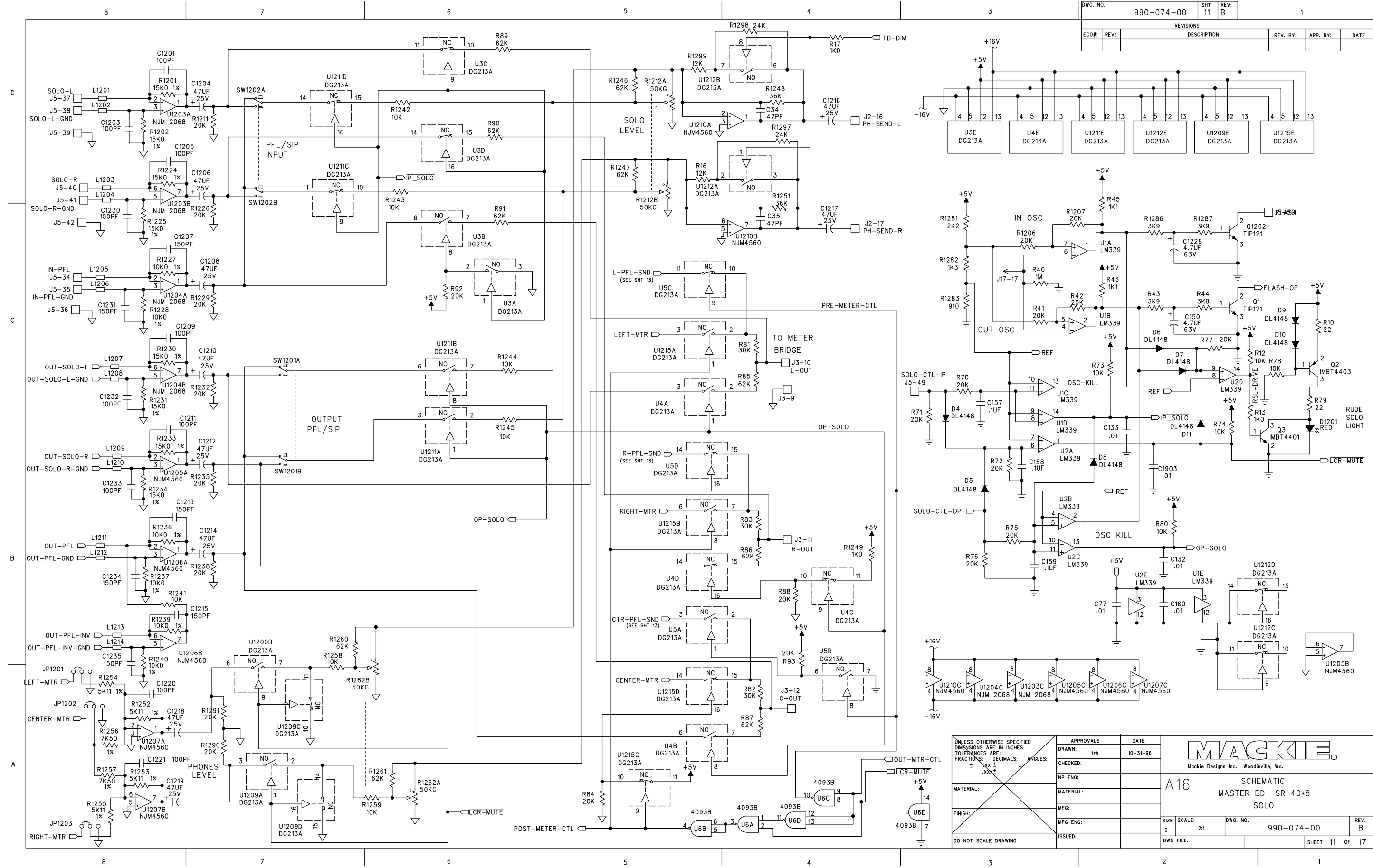
REVISIONS					
ECO#	REV	DESCRIPTION	REV. BY	APP. BY	DATE

UNLESS OTHERWISE SPECIFIED DIMENSIONS ARE IN INCHES TOLERANCES ARE: FRACTIONS: .XX ± .XXX DECIMALS: .XXX ± .XXX ANGLES: ± .001	APPROVALS	DATE	Mackie Designs Inc. Woodinville, Wa.
	DRAWN: trh	10-31-96	
	CHECKED:		
	NP ENG:		
MATERIAL:	MATERIAL:		A16 SCHEMATIC MASTER BD. SR 40•8 AUX RTN 'B' / TAPE IN
FINISH:	MFG:		
DO NOT SCALE DRAWING	MFG ENG:		
	ISSUED:		
	SIZE SCALE: 2:1	DWG. NO. 00-074-00	REV. B
	DWG FILE:		SHEET 9 OF 17

DWG. NO.	990-074-00	SHT	10	REV:	B
REVISIONS					
ECO#	REV:	DESCRIPTION	REV. BY:	APP. BY:	DATE



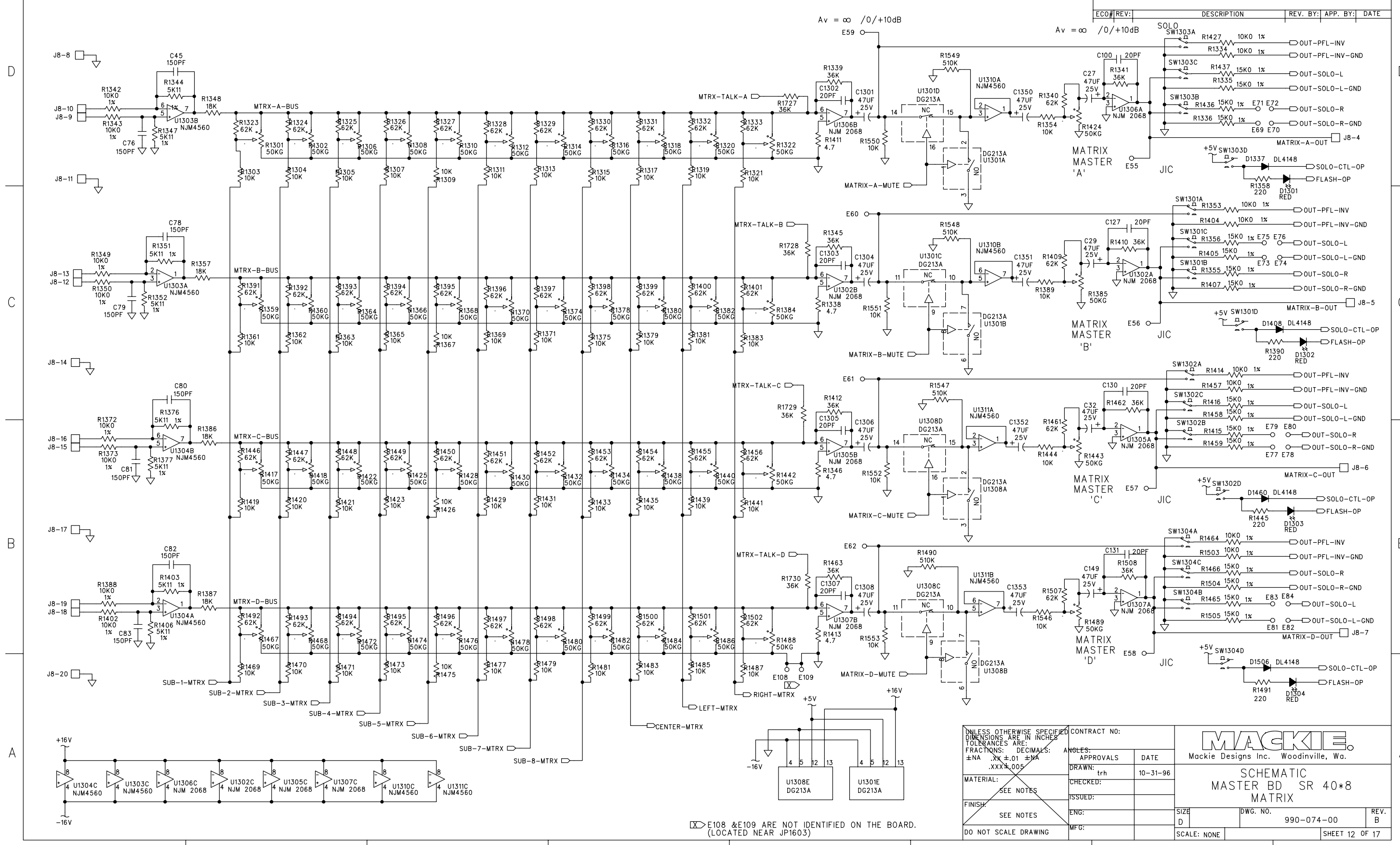
UNLESS OTHERWISE SPECIFIED DIMENSIONS ARE IN INCHES TOLERANCES ARE: FRACTIONS: ± .005 DECIMALS: ± .001 ANGLES: ± .01 MATERIAL: FINISH: DO NOT SCALE DRAWING	APPROVALS	DATE	<b>MACKIE.</b> Mackie Designs Inc. Woodinville, Wa. A16 SCHEMATIC MASTER BD SR 40•8 DIMMERS / METER SWITCHING
	DRAWN: trh	10-31-96	
	CHECKED:		
	NP ENG:		
MATERIAL:	MATERIAL:		SIZE SCALE: 2:1 DWG. NO. 990-074-00 REV. B DWG FILE: SHEET 10 OF 17
MFG:	MFG ENG:		
ISSUED:			



REVISIONS		ECO#	REV:	DESCRIPTION	REV. BY:	APP. BY:	DATE
			B				

UNLESS OTHERWISE SPECIFIED DIMENSIONS ARE IN INCHES TOLERANCES ARE: FRACTIONS: DECIMALS: ANGLES: $\frac{x}{y}$ .xx ± .xxx ±	APPROVALS DRAWN: trh CHECKED: NP ENG: MATERIAL: MFG: MFG ENG: ISSUED:	DATE 10-31-96
---	--	------------------

<b>MACKIE</b> Mackie Designs Inc. Woodville, Va.	
A16 SCHEMATIC MASTER BD SR 40•8 SOLO	
SIZE: D	SCALE: 2:1
DWG. NO. 990-074-00	REV. B
DWG FILE:	SHEET 11 OF 17



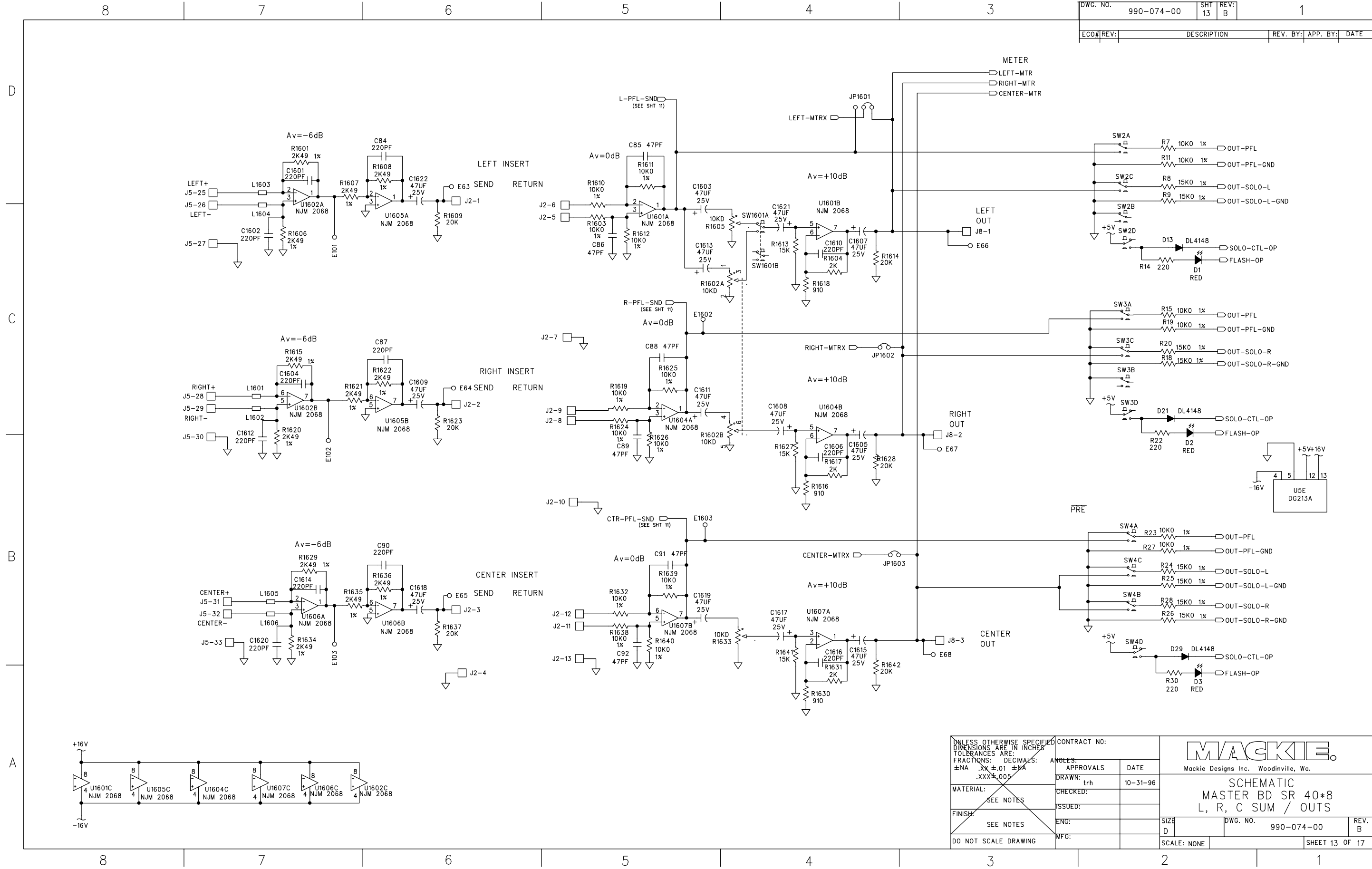
D  
C  
B  
A

D  
C  
B  
A

UNLESS OTHERWISE SPECIFIED DIMENSIONS ARE IN INCHES TOLERANCES ARE: FRACTIONS: DECIMALS: ±.01 ±.005		CONTRACT NO:		<b>MACKIE</b> Mackie Designs Inc. Woodville, Wa.	
MATERIAL: SEE NOTES		APPROVALS	DATE		
FINISH: SEE NOTES		CHECKED:	ISSUED:	SCHEMATIC MASTER BD SR 40*8 MATRIX	
DO NOT SCALE DRAWING		ENG:	MFG:	SIZE D	DWG. NO. 990-074-00
				SCALE: NONE	SHEET 12 OF 17

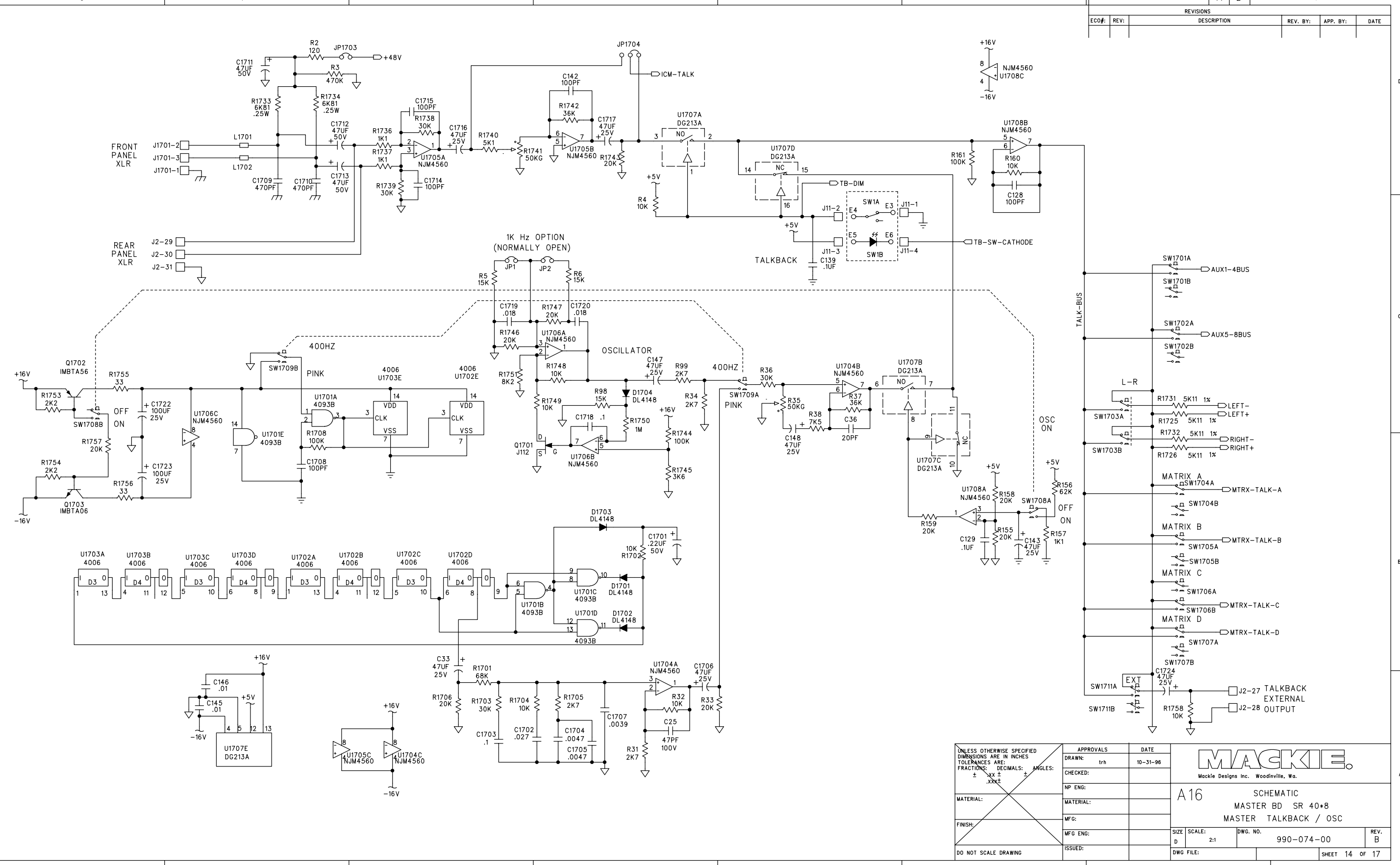
⊠ E108 & E109 ARE NOT IDENTIFIED ON THE BOARD. (LOCATED NEAR JP1603)





UNLESS OTHERWISE SPECIFIED DIMENSIONS ARE IN INCHES TOLERANCES ARE: FRACTIONS: DECIMALS: ANGLES: ±NA .XX ±.01 ±NA		CONTRACT NO:		MACKIE Mackie Designs Inc. Woodinville, Wa.	
DRAWN: trh		DATE: 10-31-96			
MATERIAL: SEE NOTES		CHECKED:		SCHEMATIC MASTER BD SR 40*8 L, R, C SUM / OUTS	
FINISH: SEE NOTES		ISSUED:			
DO NOT SCALE DRAWING		ENG:		SIZE: D	
		MFG:		DWG. NO. 990-074-00	
				REV. B	
				SCALE: NONE	
				SHEET 13 OF 17	

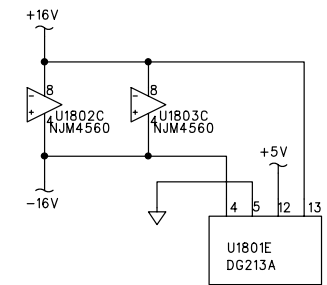
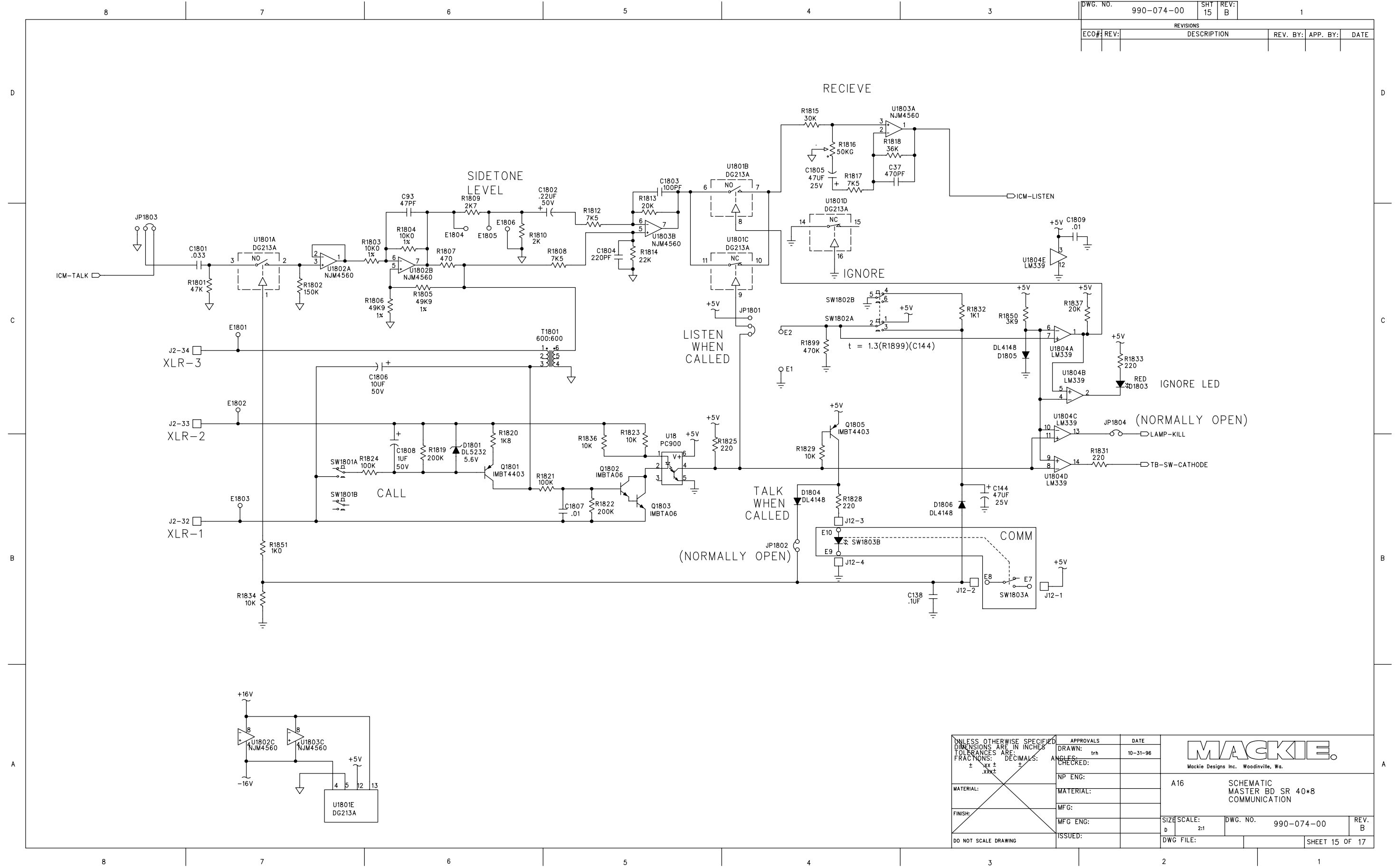
REVISIONS					
ECO#:	REV:	DESCRIPTION	REV. BY:	APP. BY:	DATE



<small>UNLESS OTHERWISE SPECIFIED DIMENSIONS ARE IN INCHES TOLERANCES ARE: FRACTIONS: DECIMALS: ANGLES: ± .005 ± .01 ± .015</small>	APPROVALS	DATE
	DRAWN: trh	10-31-96
	CHECKED:	
	NP ENG:	
	MATERIAL:	
FINISH:	MFG:	
	MFG ENG:	
DO NOT SCALE DRAWING	ISSUED:	

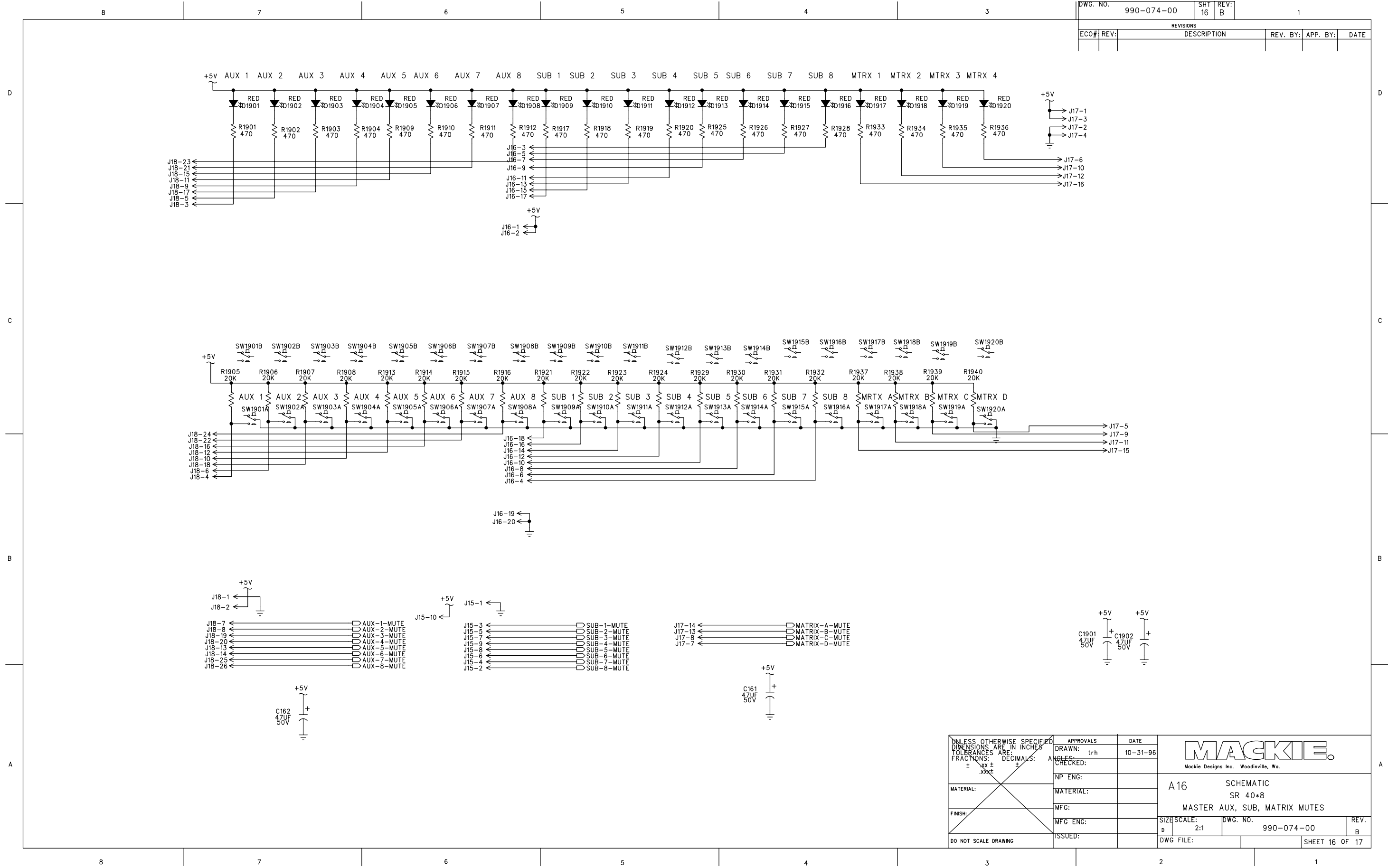
<b>MACKIE.</b> <small>Mackie Designs Inc. Woodinville, Wa.</small>	
A16 SCHEMATIC MASTER BD SR 40•8 MASTER TALKBACK / OSC	
SIZE: D	SCALE: 2:1
DWG. NO. 990-074-00	REV: B
SHEET 14 OF 17	

DWG. NO.	990-074-00	SHT	REV:	15	B
REVISIONS					
ECO#	REV:	DESCRIPTION	REV. BY:	APP. BY:	DATE



UNLESS OTHERWISE SPECIFIED DIMENSIONS ARE IN INCHES TOLERANCES ARE: FRACTIONS: ± .005 DECIMALS: ± .001 ANGLES: ± .001 CHECKED: ± .001	APPROVALS	DATE	<b>MACKIE</b> Mackie Designs Inc. Woodinville, Wa.	
	DRAWN: trn	10-31-96		
	NP ENG:			
	MATERIAL:			
MATERIAL:		A16	SCHEMATIC MASTER BD SR 40•8 COMMUNICATION	
MFG:				
MFG ENG:		SIZE SCALE: 2:1	DWG. NO. 990-074-00	REV. B
ISSUED:		DWG FILE:		SHEET 15 OF 17

DWG. NO.	990-074-00	SHT	16	REV:	B
REVISIONS					
ECO#	REV:	DESCRIPTION	REV. BY:	APP. BY:	DATE



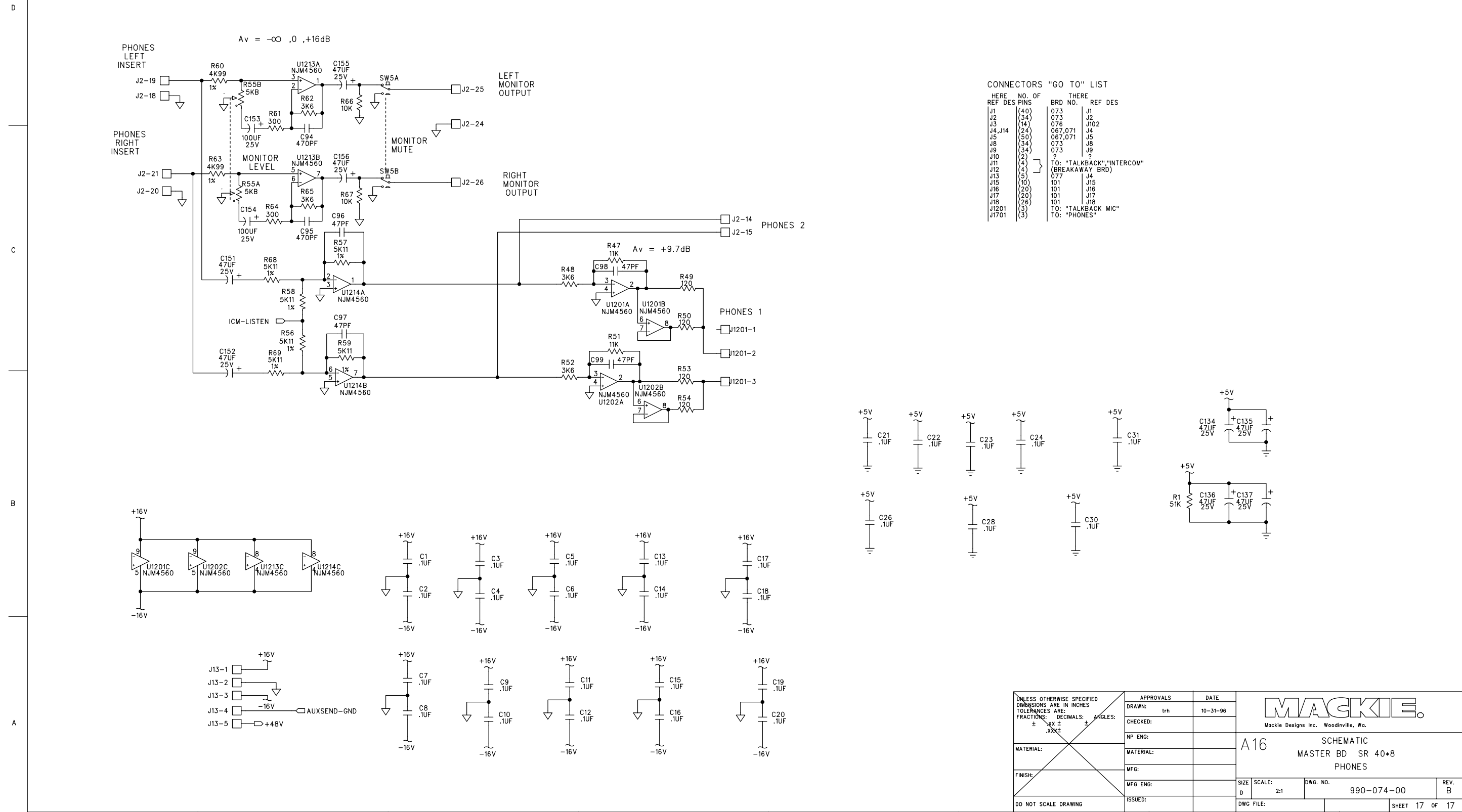
UNLESS OTHERWISE SPECIFIED DIMENSIONS ARE IN INCHES TOLERANCES ARE: FRACTIONS: ± .005 DECIMALS: ± .001 ANGLES: ± .001	APPROVALS	DATE
	DRAWN: trh	10-31-96
	NP ENG:	
	CHECKED:	
MATERIAL:	MATERIAL:	
FINISH:	MFG:	
DO NOT SCALE DRAWING	MFG ENG:	
	ISSUED:	

**MACKIE.**  
Mackie Designs Inc. Woodinville, Wa.

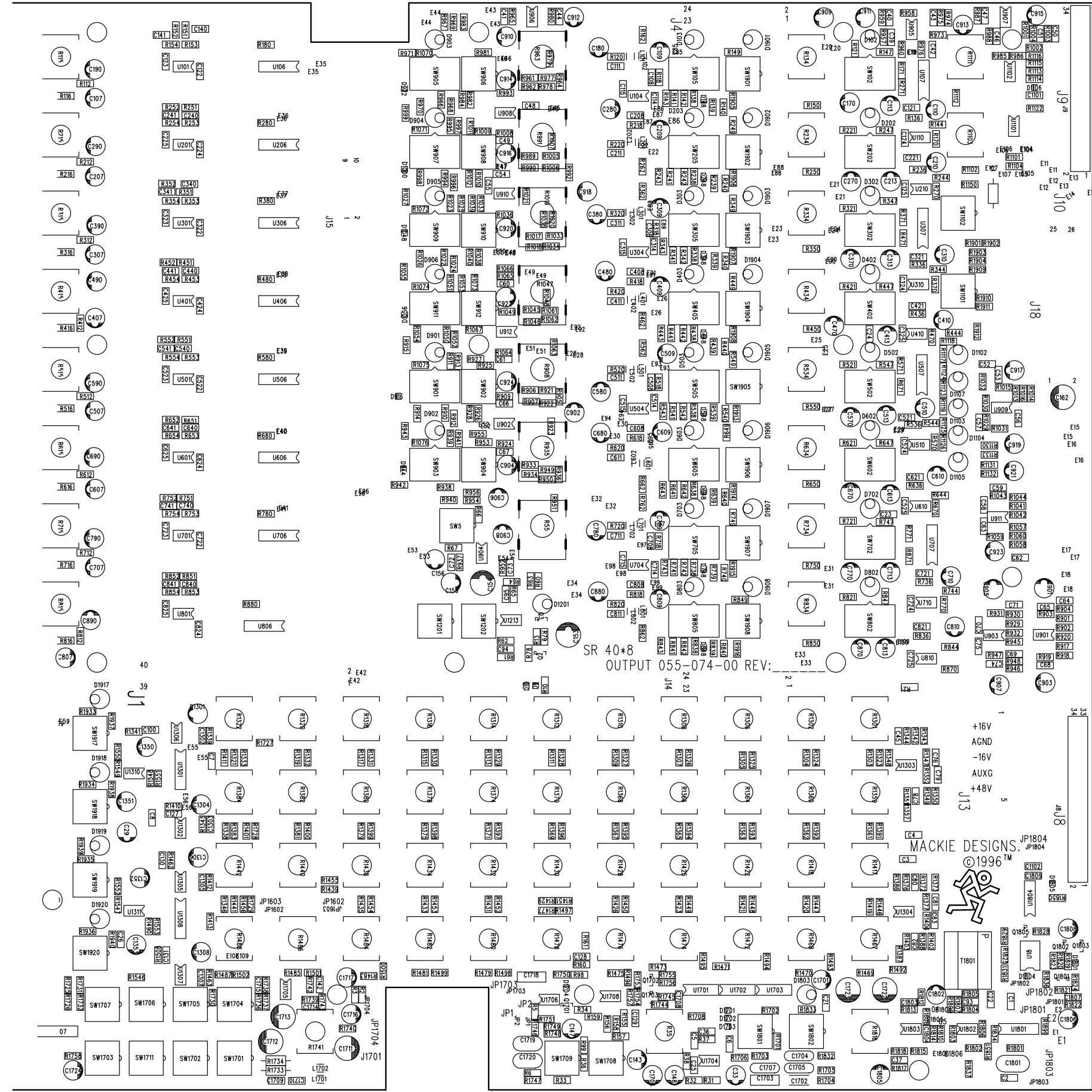
A16 SCHEMATIC  
SR 40•8  
MASTER AUX, SUB, MATRIX MUTES

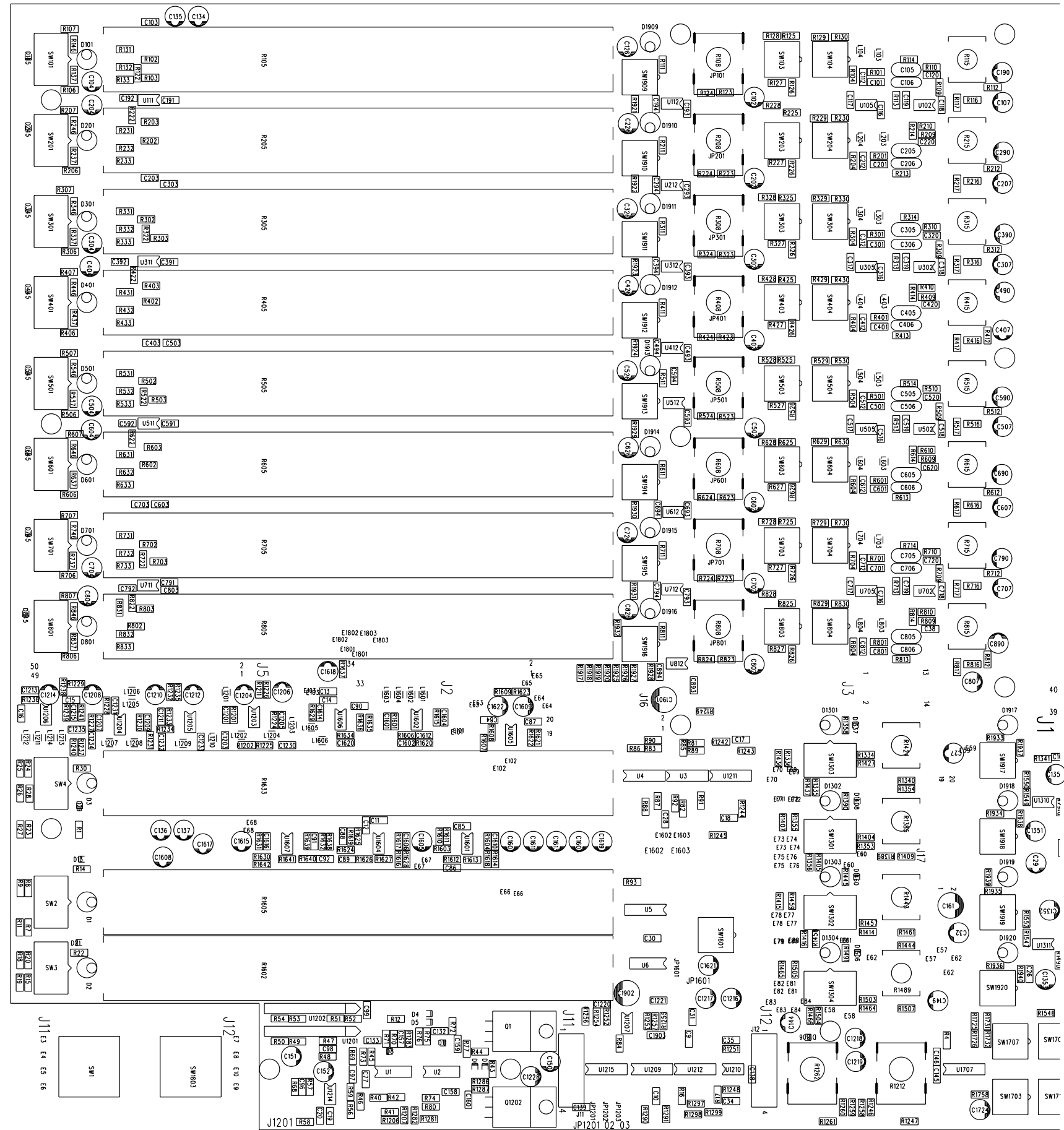
SIZE	SCALE: 2:1	DWG. NO.	990-074-00	REV.	B
DWG FILE:					SHEET 16 OF 17

REVISIONS					
ECO#:	REV:	DESCRIPTION	REV. BY:	APP. BY:	DATE



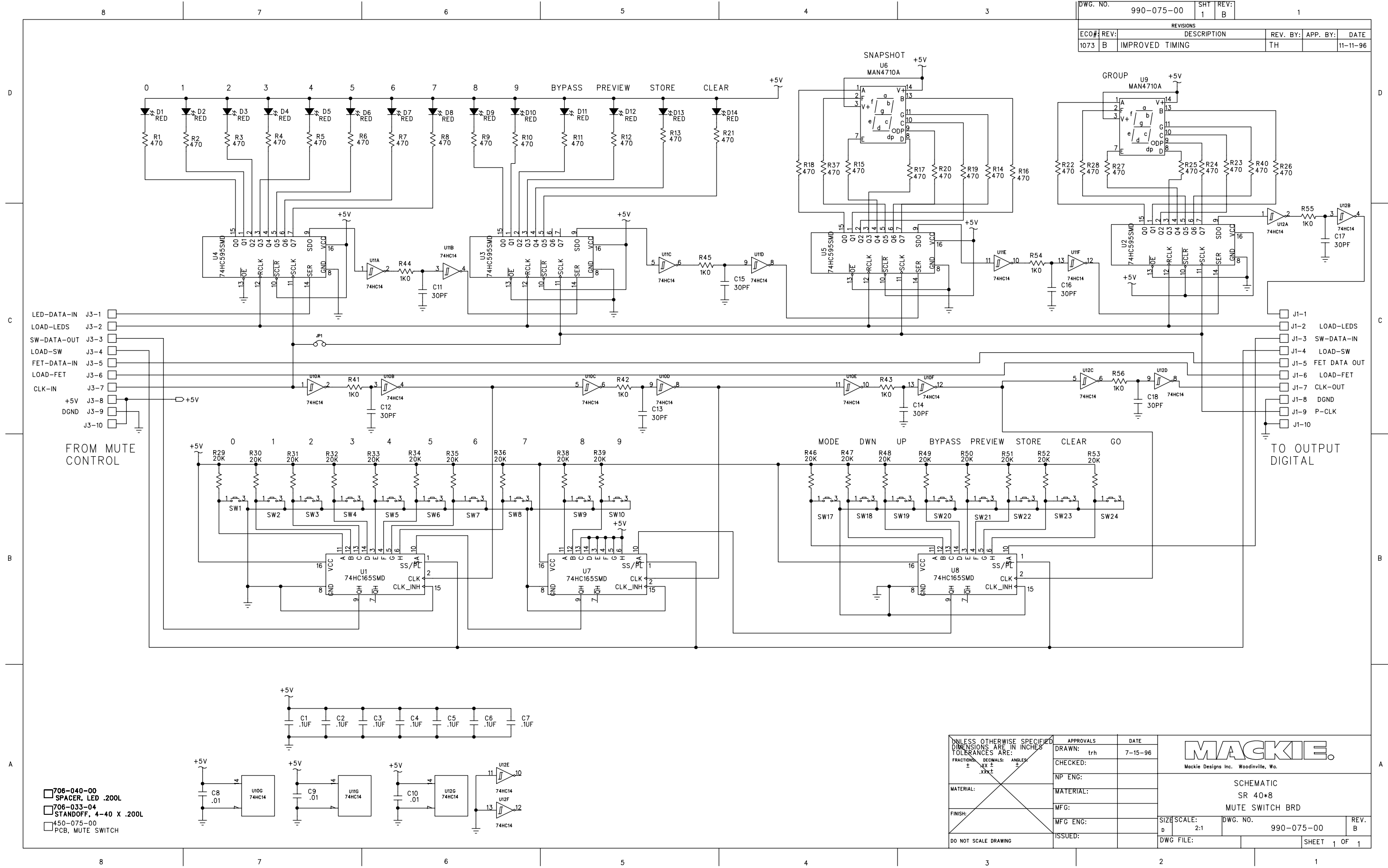
74-10 MASTER BOARD 74 REV B





74-12 MASTER BOARD 74 REV B

DWG. NO.	990-075-00	SHT	1	REV:	B
REVISIONS					
ECO#	1073	REV:	B	DESCRIPTION	IMPROVED TIMING
REV. BY:	TH	APP. BY:		DATE	11-11-96



- 706-040-00 SPACER, LED .200L
- 706-033-04 STANDOFF, 4-40 X .200L
- 450-075-00 PCB, MUTE SWITCH

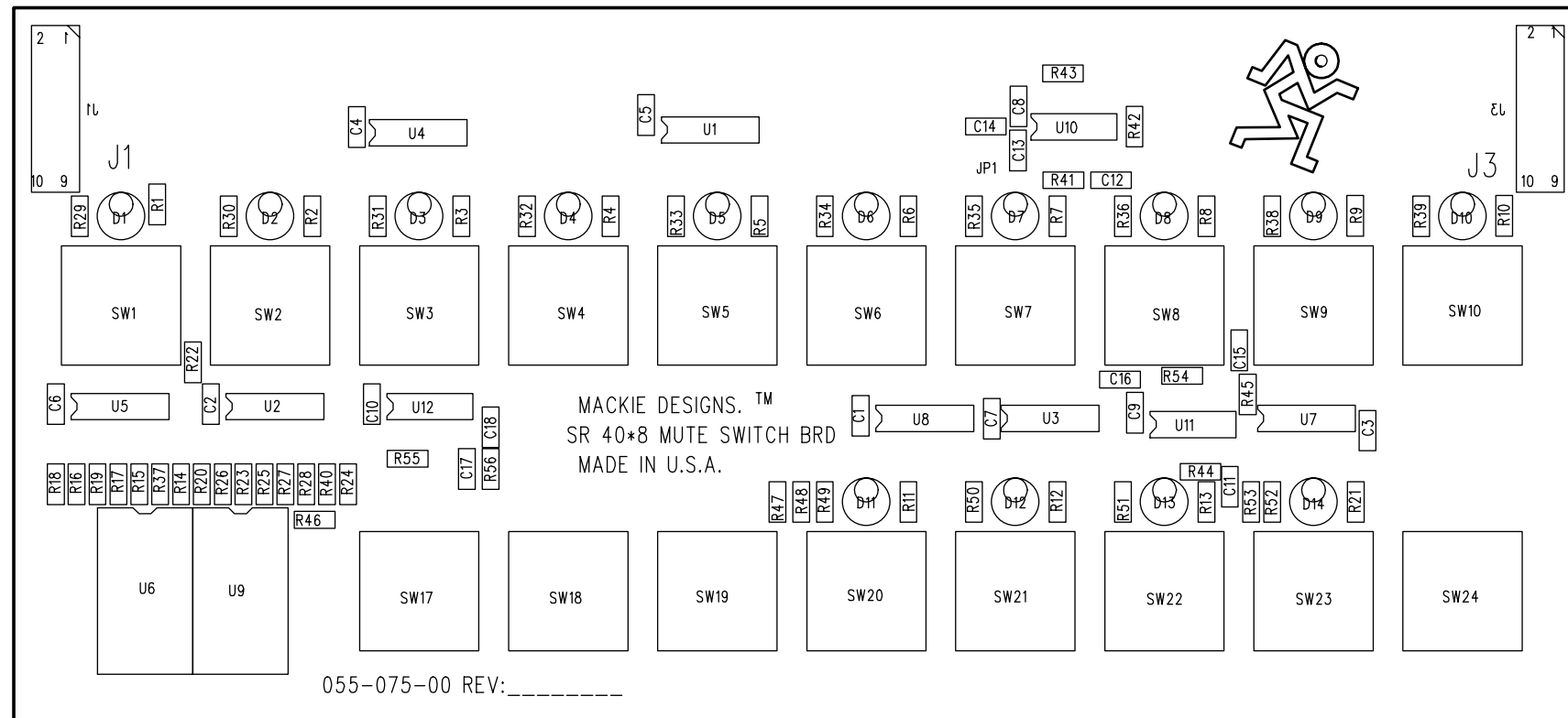
UNLESS OTHERWISE SPECIFIED DIMENSIONS ARE IN INCHES TOLERANCES ARE: FRACTIONS: ± .005 DECIMALS: ± .001 MATERIAL: FINISH: DO NOT SCALE DRAWING	APPROVALS	DATE
	trh	7-15-96
	CHECKED:	
	NP ENG:	
MATERIAL:		
MFG:		
MFG ENG:		
ISSUED:		

**MACKIE**  
Mackie Designs Inc. Woodville, Wa.

SCHEMATIC  
SR 40•8  
MUTE SWITCH BRD

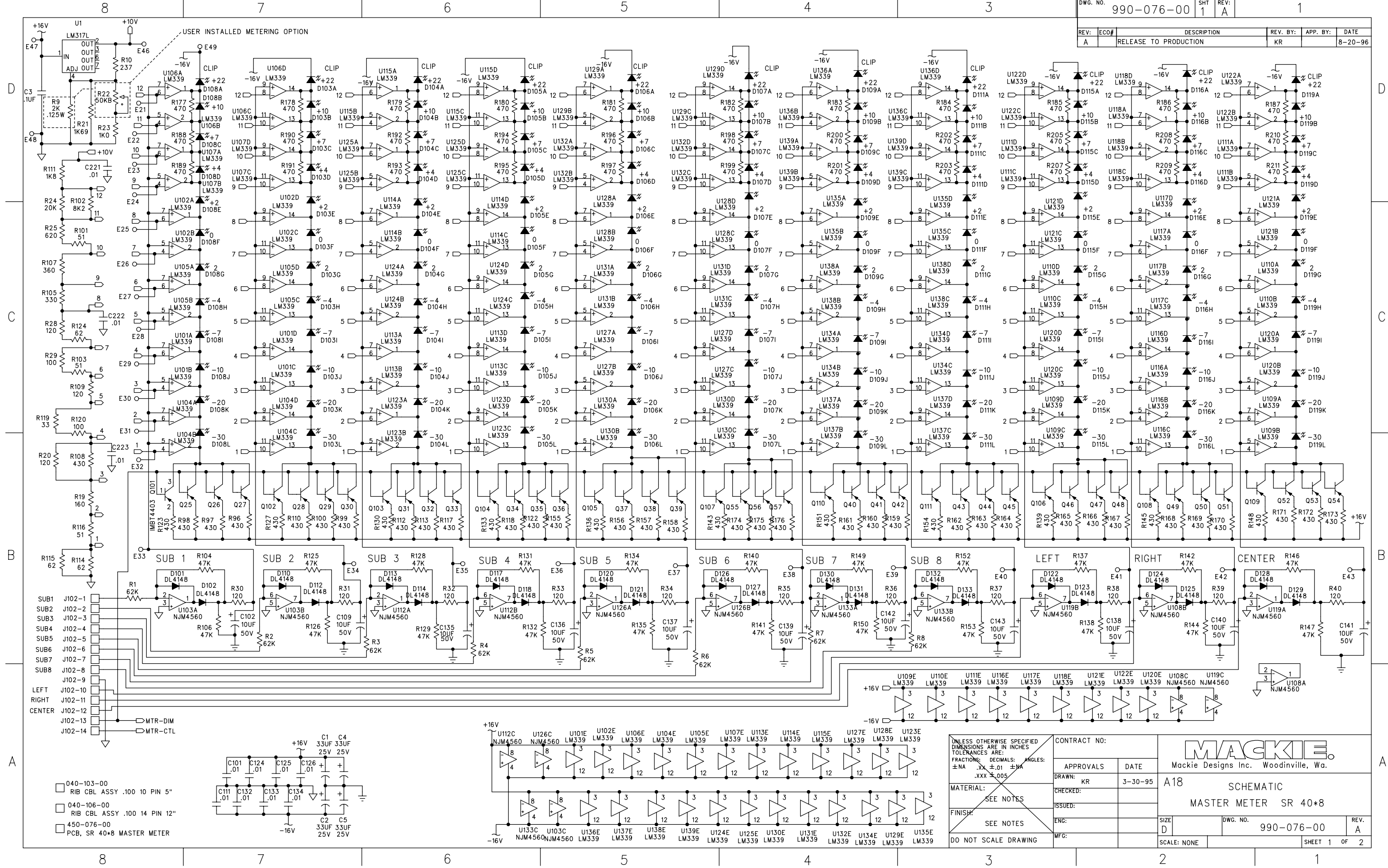
SIZE SCALE:	2:1	DWG. NO.	990-075-00	REV.	B
DWG FILE:				SHEET	1 OF 1





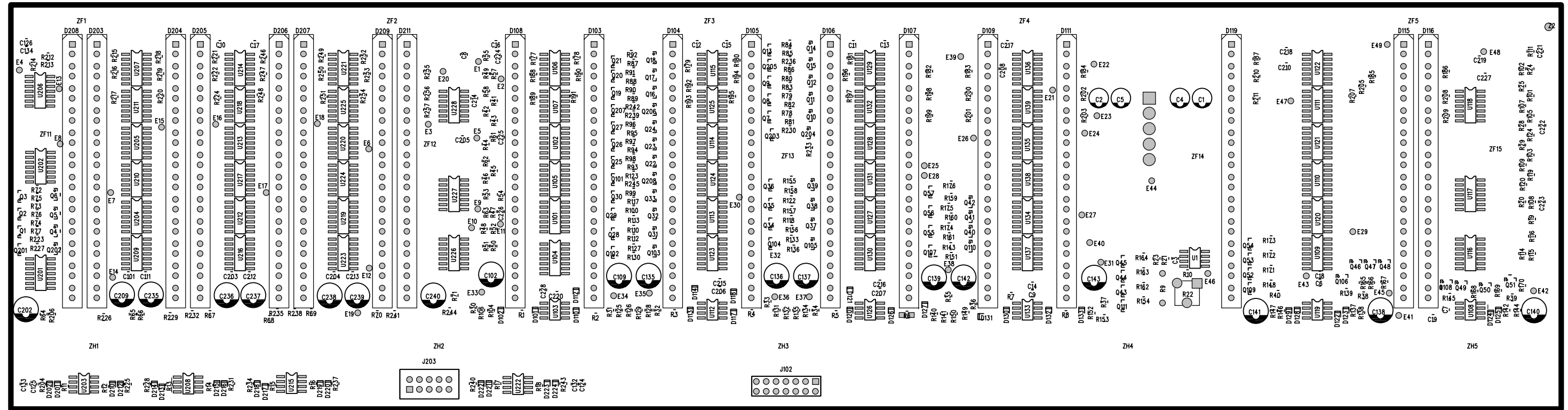
DWG. NO.	990-076-00	SHT	1	REV.	A
----------	------------	-----	---	------	---

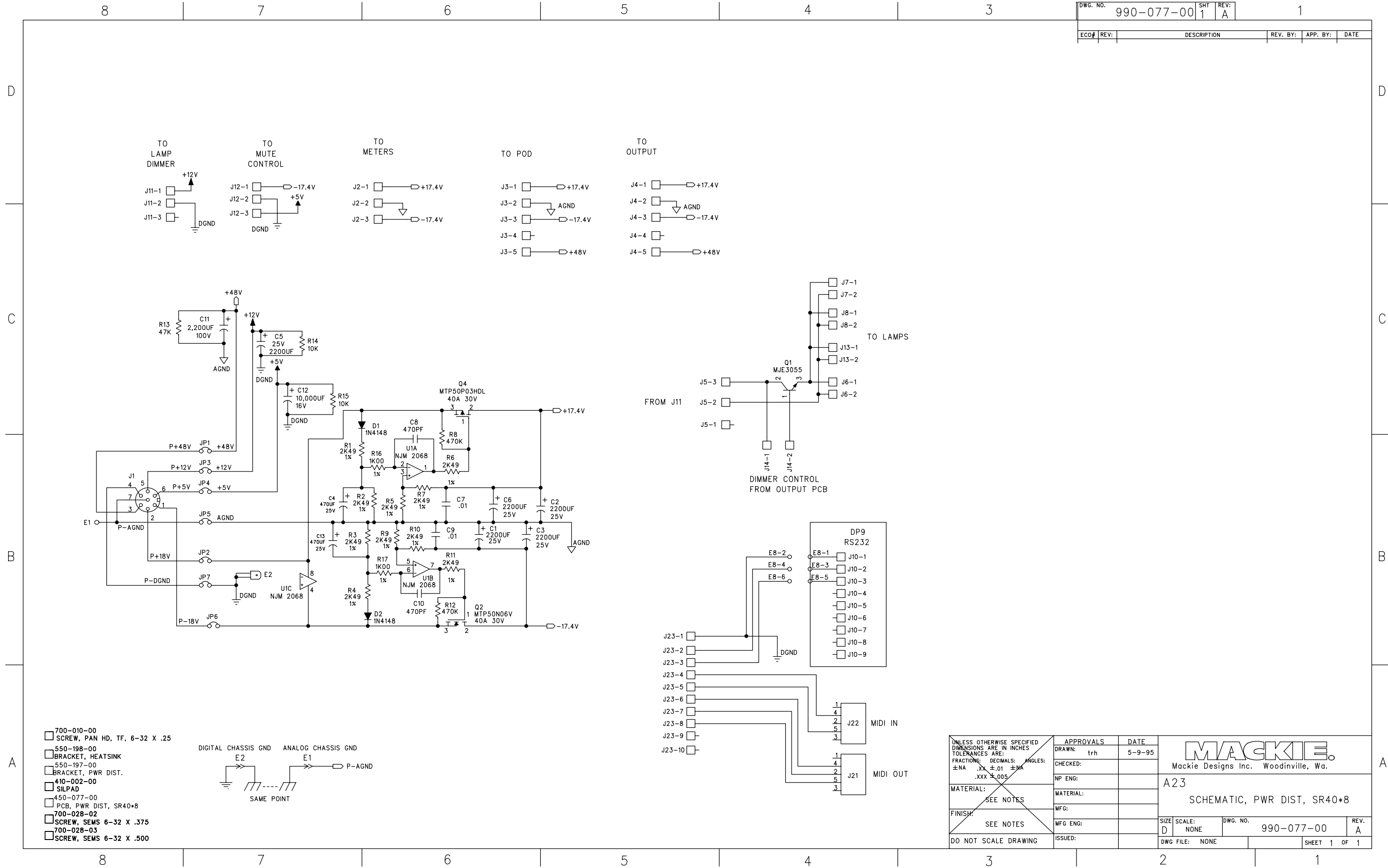
REV.	ECO#	DESCRIPTION	REV. BY:	APP. BY:	DATE
A		RELEASE TO PRODUCTION	KR		8-20-96



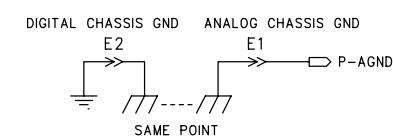
- 040-103-00 RIB CBL ASSY .100 10 PIN 5"
- 040-106-00 RIB CBL ASSY .100 14 PIN 12"
- 450-076-00 PCB, SR 40\*8 MASTER METER

UNLESS OTHERWISE SPECIFIED DIMENSIONS ARE IN INCHES. FRACTIONS: DECIMALS: ANGLES: ±.NA .XX ±.01 ±.NA .XXX ±.005		CONTRACT NO:		 Mackie Designs Inc. Woodinville, Wa.	
APPROVALS		DATE			
DRAWN: KR		3-30-95		A18	
CHECKED:		ISSUED:		SCHEMATIC	
ENG:		MFG:		MASTER METER SR 40*8	
DO NOT SCALE DRAWING		SCALE: NONE		DWG. NO. 990-076-00	
				REV. A	
				SHEET 1 OF 2	





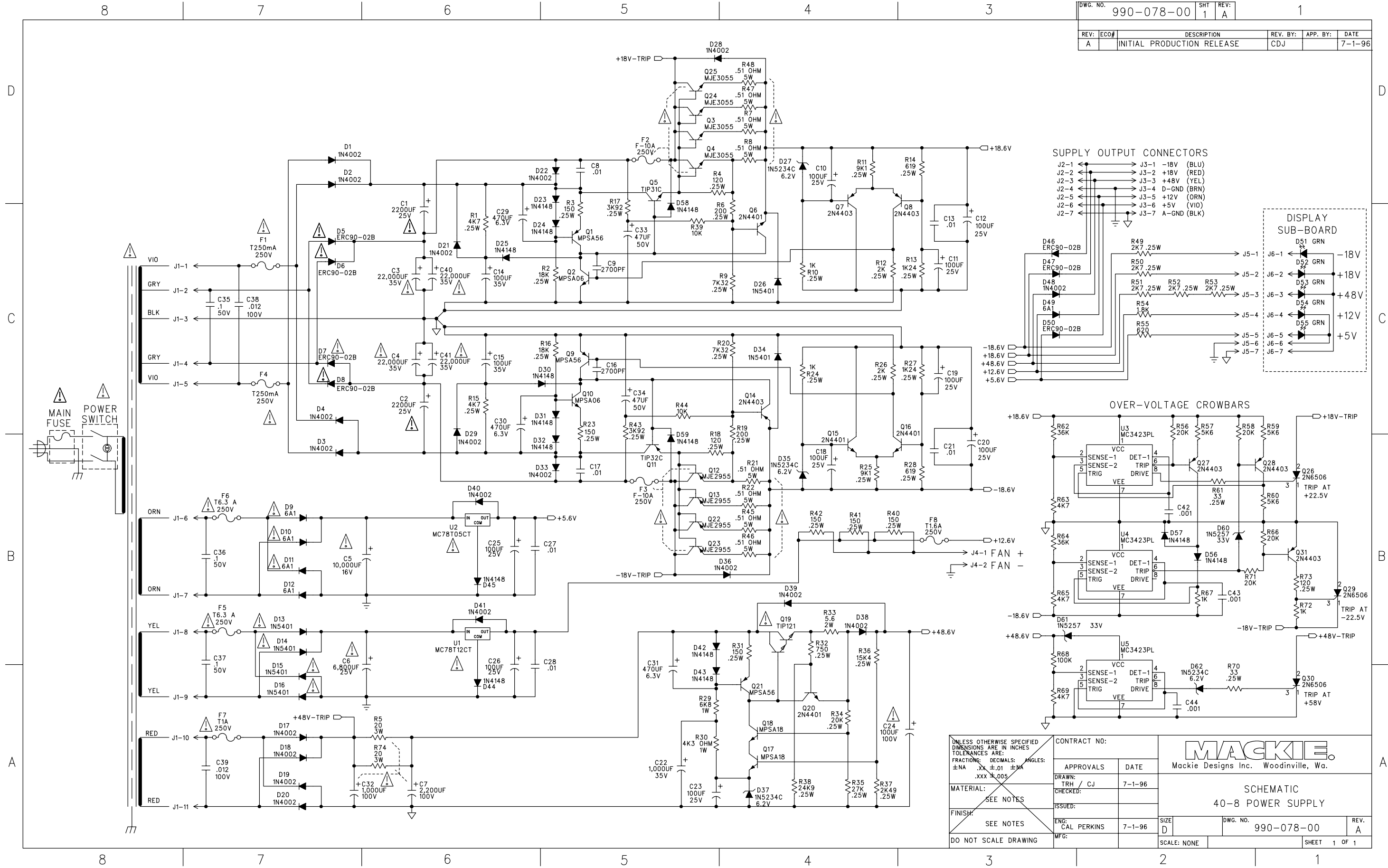
- 700-010-00 SCREW, PAN HD, TF, 6-32 X .25
- 550-198-00 BRACKET, HEATSINK
- 550-197-00 BRACKET, PWR DIST.
- 410-002-00 SILPAD
- 450-077-00 PCB, PWR DIST, SR40+8
- 700-028-02 SCREW, SEMS 6-32 X .375
- 700-028-03 SCREW, SEMS 6-32 X .500



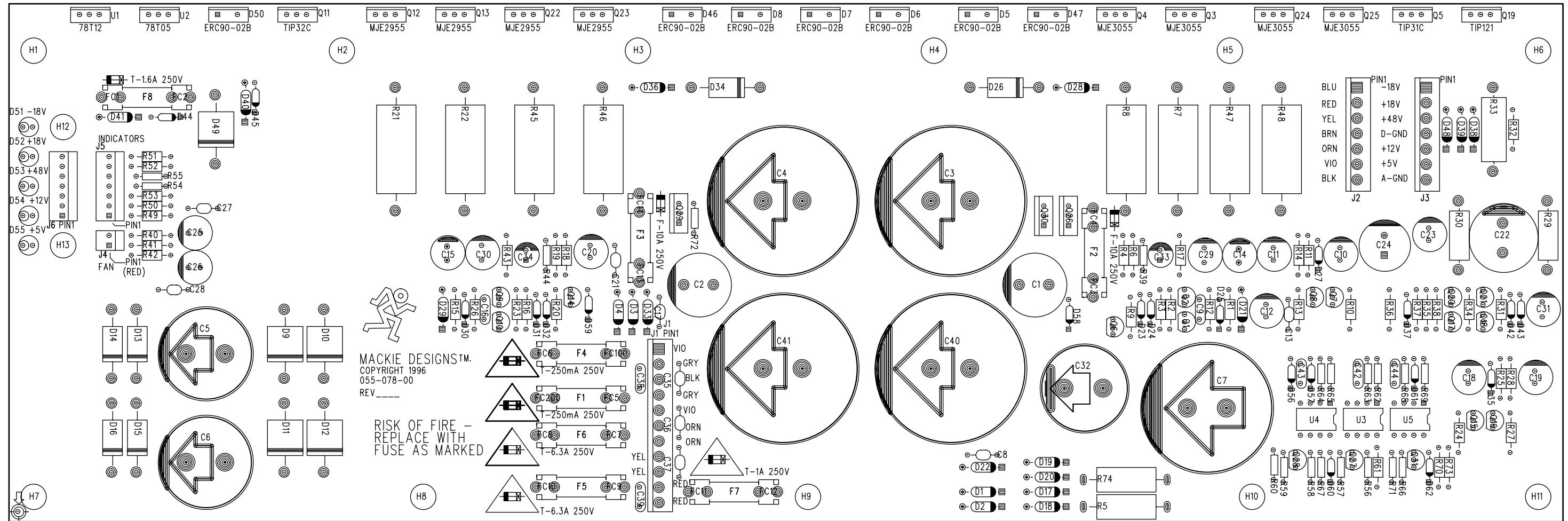
UNLESS OTHERWISE SPECIFIED DIMENSIONS ARE IN INCHES TOLERANCES ARE: FRACTIONS: .XX ±.01 ±.005 DECIMALS: .XXX ±.005 ANGLES: ±NA MATERIAL: SEE NOTES FINISH: SEE NOTES DO NOT SCALE DRAWING	APPROVALS	DATE	Mackie Designs Inc. Woodinville, Wa. A23 SCHEMATIC, PWR DIST, SR40+8
	trh	5-9-95	
	CHECKED:		
	NP ENG:		
	MATERIAL:		SIZE SCALE: D NONE
	MFG:		DWG. NO. 990-077-00
	MFG ENG:		REV. A
	ISSUED:		DWG FILE: NONE
			SHEET 1 OF 1



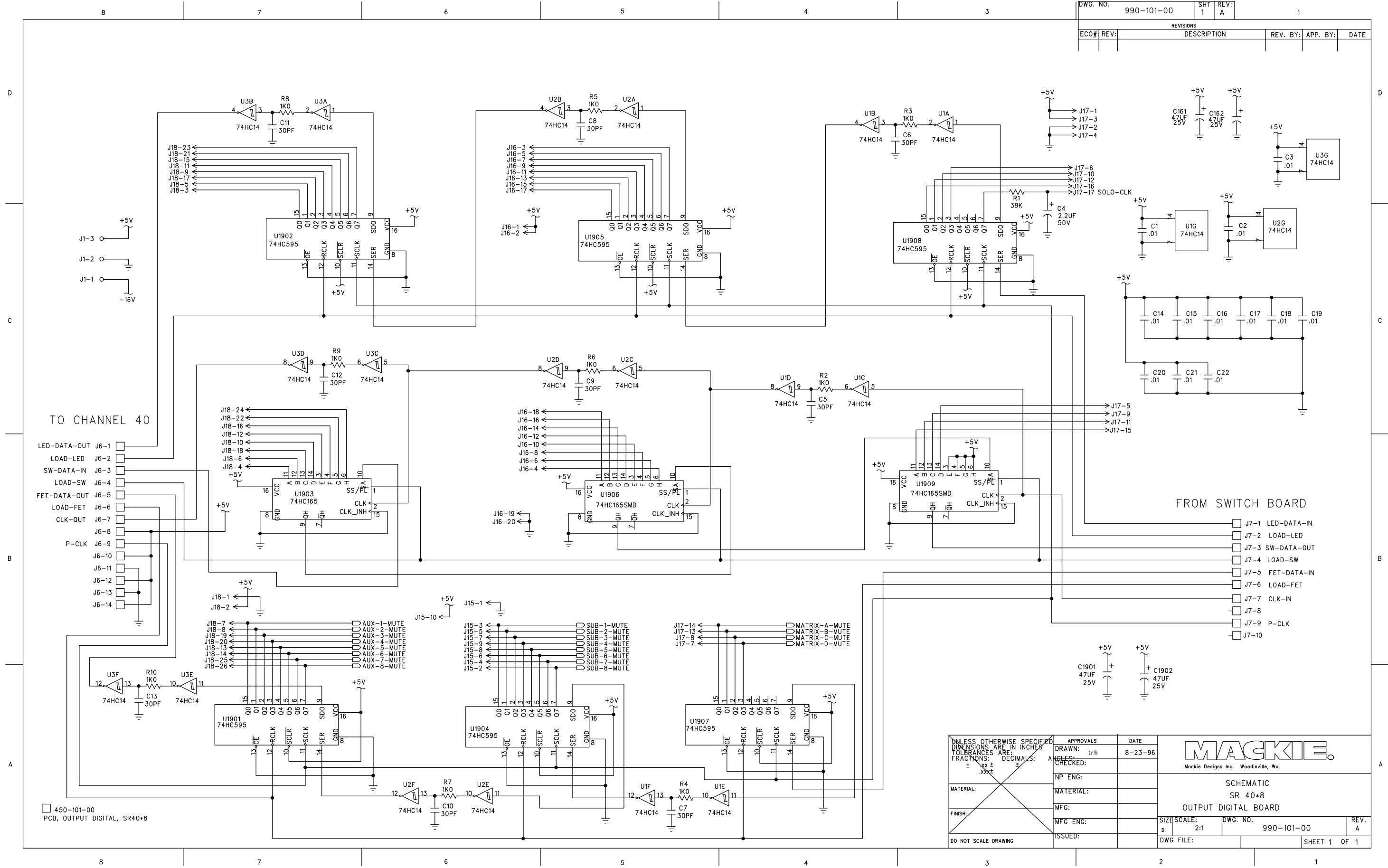
REV:	ECO#	DESCRIPTION	REV. BY:	APP. BY:	DATE
A		INITIAL PRODUCTION RELEASE	CDJ		7-1-96



UNLESS OTHERWISE SPECIFIED DIMENSIONS ARE IN INCHES TOLERANCES ARE: FRACTIONS: .XX ±.01 ANGLES: .XXX ±.005 MATERIAL: SEE NOTES FINISH: SEE NOTES DO NOT SCALE DRAWING	CONTRACT NO:		Mackie Designs Inc. Woodinville, Wa.	
	APPROVALS	DATE		
	DRAWN: TRH / CJ	7-1-96	SCHEMATIC 40-8 POWER SUPPLY	
	CHECKED:			
	ISSUED:		SIZE: D	DWG. NO. 990-078-00
ENG: CAL PERKINS	7-1-96	SCALE: NONE	SHEET 1 OF 1	



REVISIONS			
ECO#	REV.	DESCRIPTION	DATE



UNLESS OTHERWISE SPECIFIED DIMENSIONS ARE IN INCHES TOLERANCES ARE: FRACTIONS: ± .005 DECIMALS: ± .001 MATERIAL: FINISH: DO NOT SCALE DRAWING	APPROVALS	DATE
	DRAWN: trh	8-23-96
	NP ENG:	
	CHECKED:	
MATERIAL:	MATERIAL:	
MFG:	MFG ENG:	
ISSUED:		

**MACKIE.**  
Mackie Designs Inc. Woodinville, Wa.

**SCHEMATIC**  
SR 40•8  
OUTPUT DIGITAL BOARD

SIZE SCALE: 2:1	DWG. NO. 990-101-00	REV. A
DWG FILE:		SHEET 1 OF 1



