

TRU



C155

B130

TSU

C141

C22



C145

QU



QUQU 0259

TRC

QUQU

00A 00-812TS00:Y22A B09

00A 00-414TS00:B09

REVIRO SV 023M92 Q12

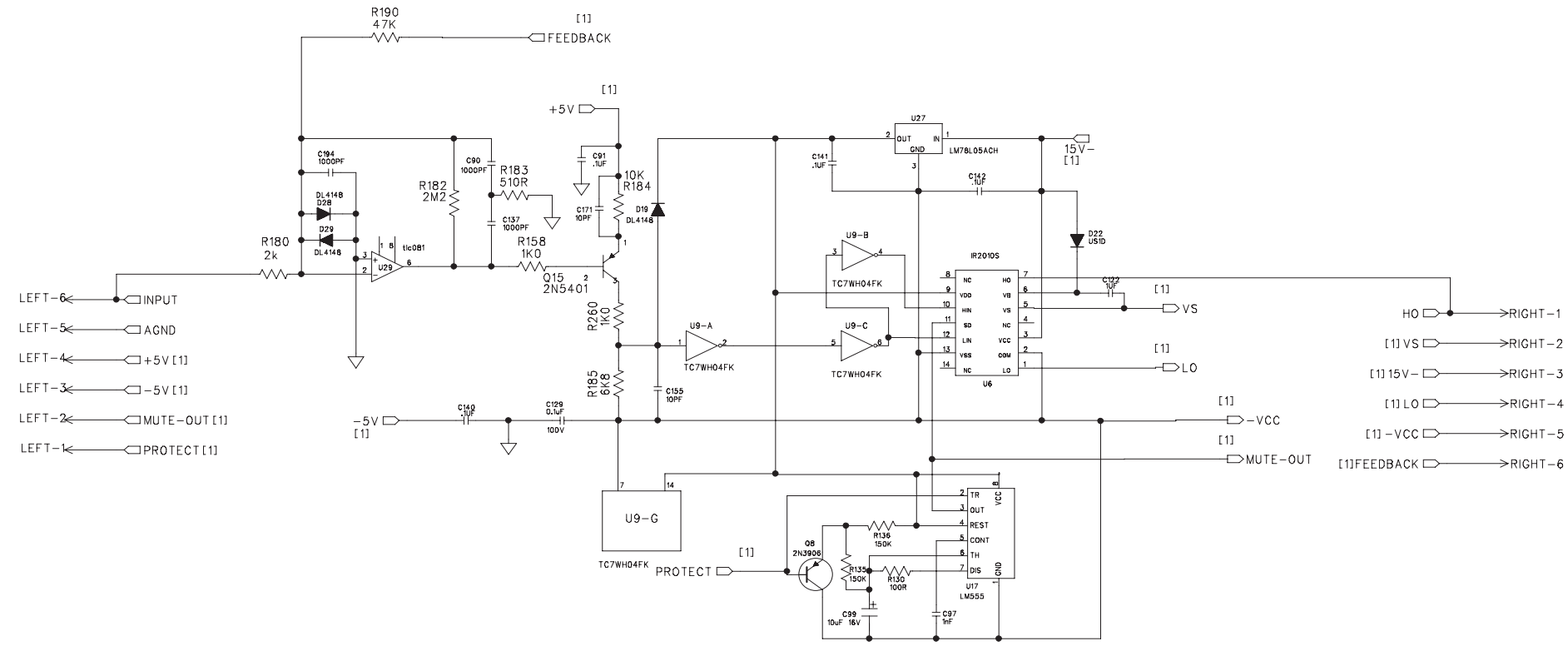
B120

C20

4913

D52

S819



LEFT-6 → INPUT
 LEFT-5 → AGND
 LEFT-4 → +5V [1]
 LEFT-3 → -5V [1]
 LEFT-2 → MUTE-OUT [1]
 LEFT-1 → PROTECT [1]

HO → RIGHT-1
 [1] VS → RIGHT-2
 [1] 15V → RIGHT-3
 [1] LO → RIGHT-4
 [1] -VCC → RIGHT-5
 [1] MUTE-OUT → RIGHT-6

APPROVALS	DATE				
DRAWN:					
CHECKED:		SCHEMATIC, SRM350 DRIVER			
NP ENG:					
MATERIAL:		SIZE	SCALE:	DWG. NO.	REV.
MFG:		D	NONE	0027618-00	A00
MFG ENG:		DWG FILE:		SHEET 1 OF 1	
ISSUED:					