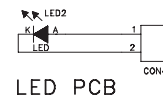
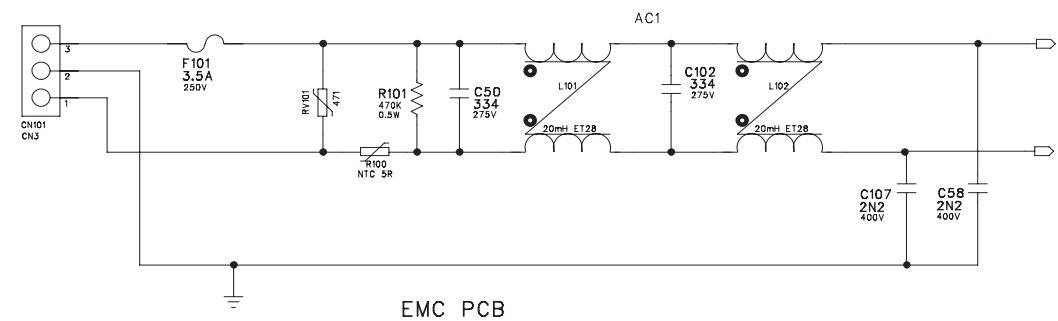


LED2

ECO/DSR	REV:	DESCRIPTION	REV. BY:	DATE
ECCOCHN0318	A00	RELEASE TO PRODUCTION	JEFF	2008-1-2



APPROVALS	DATE	 SCHEMATIC, SRM350 V2 EMC			
DRAWN:					
CHECKED:					
NP ENG:					
MATERIAL:					
MFG:		SIZE	SCALE:	DWG. NO.	REV.
MFG ENG:		D	NONE	0027619-00	A00
ISSUED:		DWG FILE:		SHEET 1 OF 1	