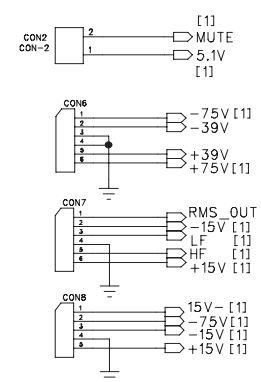
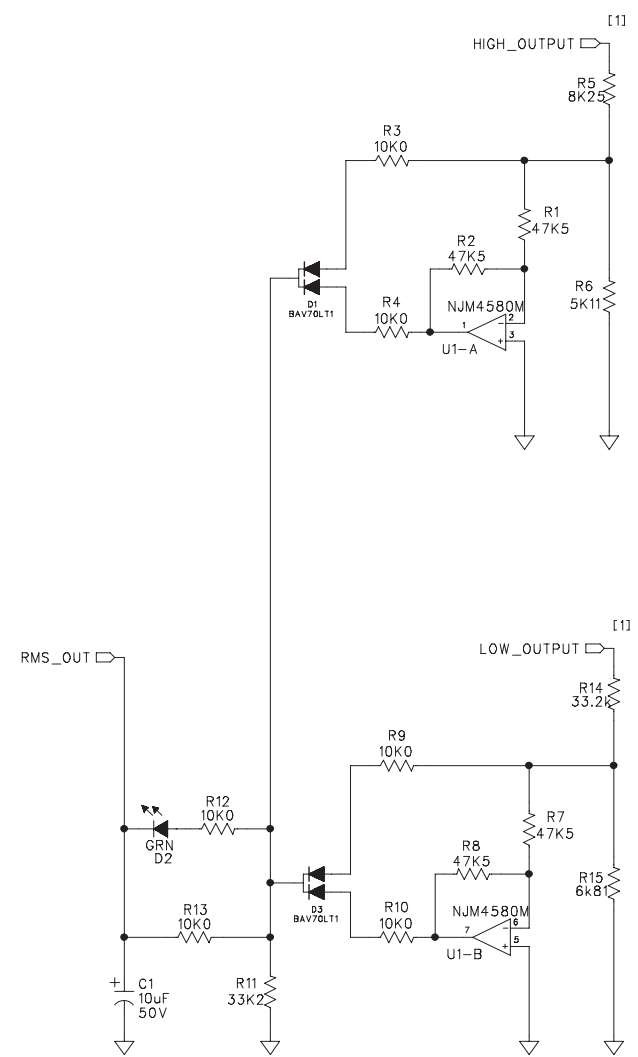
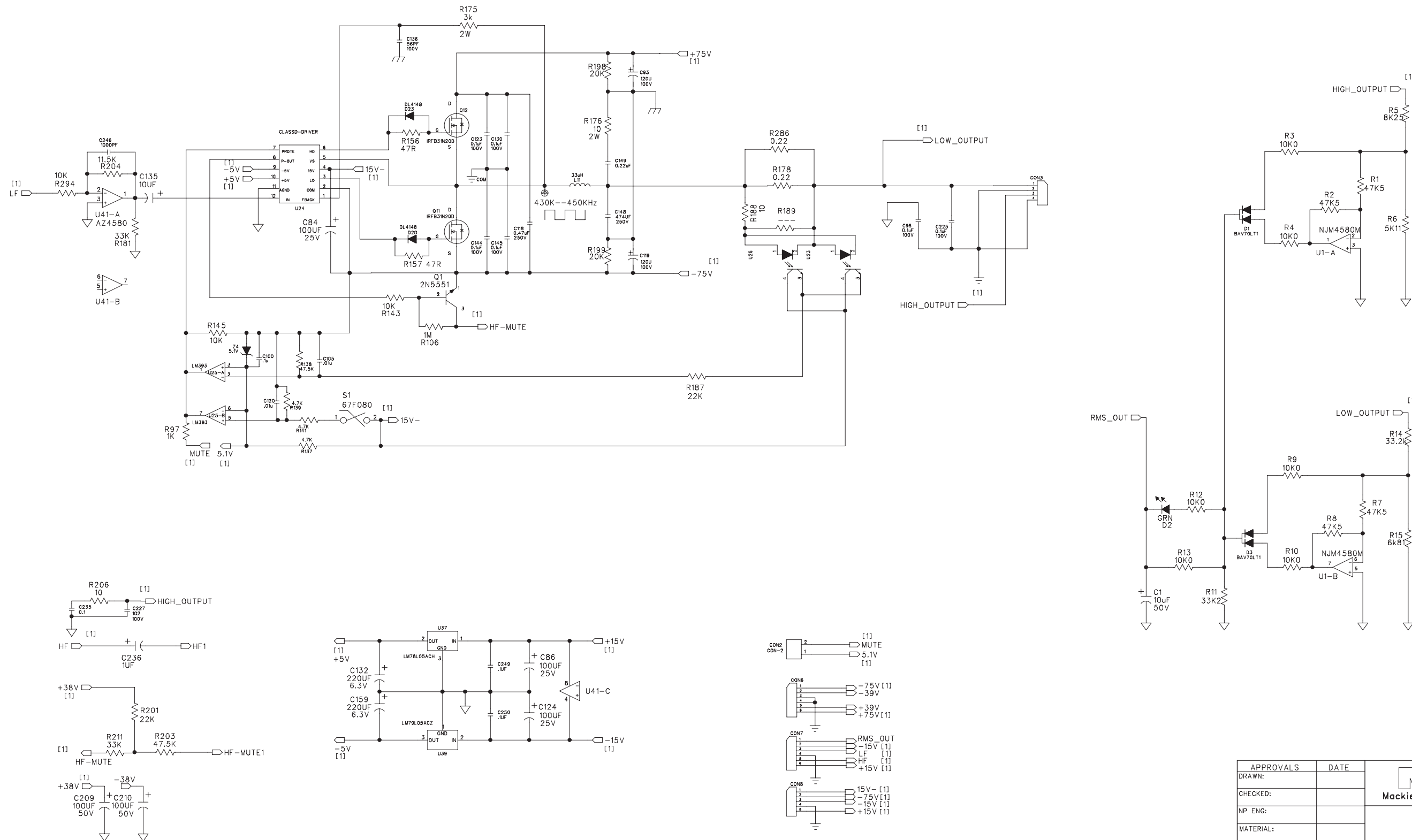


0027617-00 PCB ASSY AMP-LF SRM350 V2
 0027317-00 SRM350 V2 AMP-LF REV A00
 2007.9.27



APPROVALS	DATE	MACKIE Mackie Designs Inc. Woodinville, Wa.
DRAWN:		
CHECKED:		SCHEMATIC, SRM350 AMP-LF
NP ENG:		
MATERIAL:		SIZE: D SCALE: NONE DWG. NO. 0027617-00 REV. A00
MFG:		
MFG ENG:		DWG FILE: SHEET 1 OF 1
ISSUED:		