

- NOTES:
- 1) ADJUST TRIM CONTROL FOR UNITY GAIN BETWEEN J19-4 & J19-2 AT TP2 WITH LEVEL CONTROL R265 POSITION AT CENTER DETENT
 - 2) STRAP ON J15 TO BE REMOVED FOR ACCESSORIES INCORPORATING DELAY

REV:	ECO#	DESCRIPTION	REV. BY:	DATE
B00	ECOCHN0424	MAKE SCH CONSISTENT WITH PCB	JEFF	2008-04-25
C00	ECOCHN0469	MAKE SCH CONSISTENT WITH PCB	Charles	2008-04-28
C01	ECOCHN0493	Change CAP	Charles	2008-06-10
D00	ECOCHN0509	Change C202,C203,C191,C192 C189,C190,R288	Evan	2008-07-15
D01	ECOWD11435	Change R251,R253,R258,R290,R291. D35 NO STUFF.	RJ	2009-04-23
D03	ECOWD11746	Change R258 FROM 8K45 TO 9K31	RJ	2009-08-10
D04	ECOWD13534	Change XLR Fem to non-Mackie part.	RJ	2010-12-20
E00	ECOWD13758	CHANGE MANY FOOTPRINTS ON PCB TO 0603 IPC, TO MATCH BOM.	KR	2010-3-17
F00	ECOWD14107	R1,R2 WAS SMT. C24,C30 REVERSED POLARITY.	TH	2011-8-10
G00	ECOWD14125	REPLACE E.O.L. VCA, RE-LAYOUT SMALL SIGNAL SECTION.	KR	2011-9-14

Add R213.

- SCH1 0029446-XX SCHEMATIC PCB ASSY AMP BOARD SRM450 V2
- PCB1 0027054-07 PCB FAB AMP BOARD SRM450V2

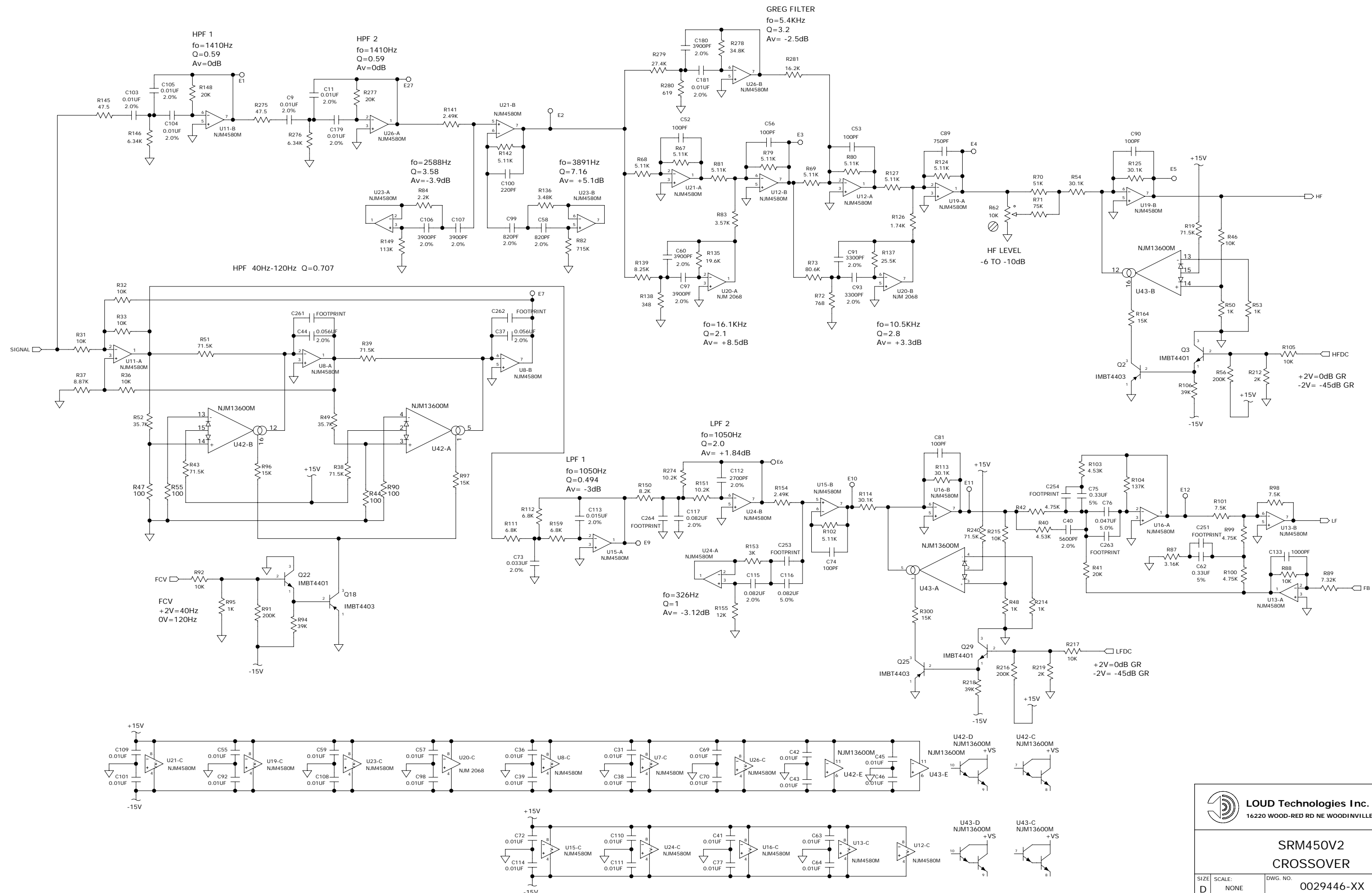
APPROVALS	DATE
DRAWN:	
CHECKED:	
NP ENG:	
MATERIAL:	
MFG:	
MFG ENG:	
ISSUED:	

LOUD Technologies Inc.
16220 WOOD-RED RD NE WOODINVILLE, WA 98072

SRM450V2

SIZE: D	SCALE: NONE	DWG. NO. 0029446-XX	REV. H00
DWG FILE: 0029446-XX-H00.sch		SHEET 1 OF 5	

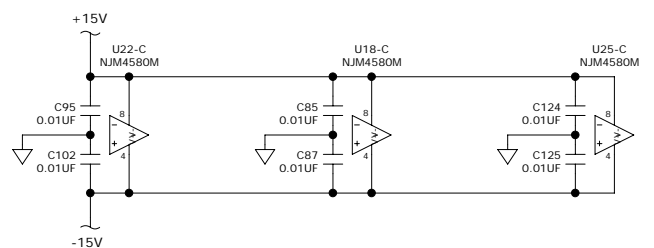
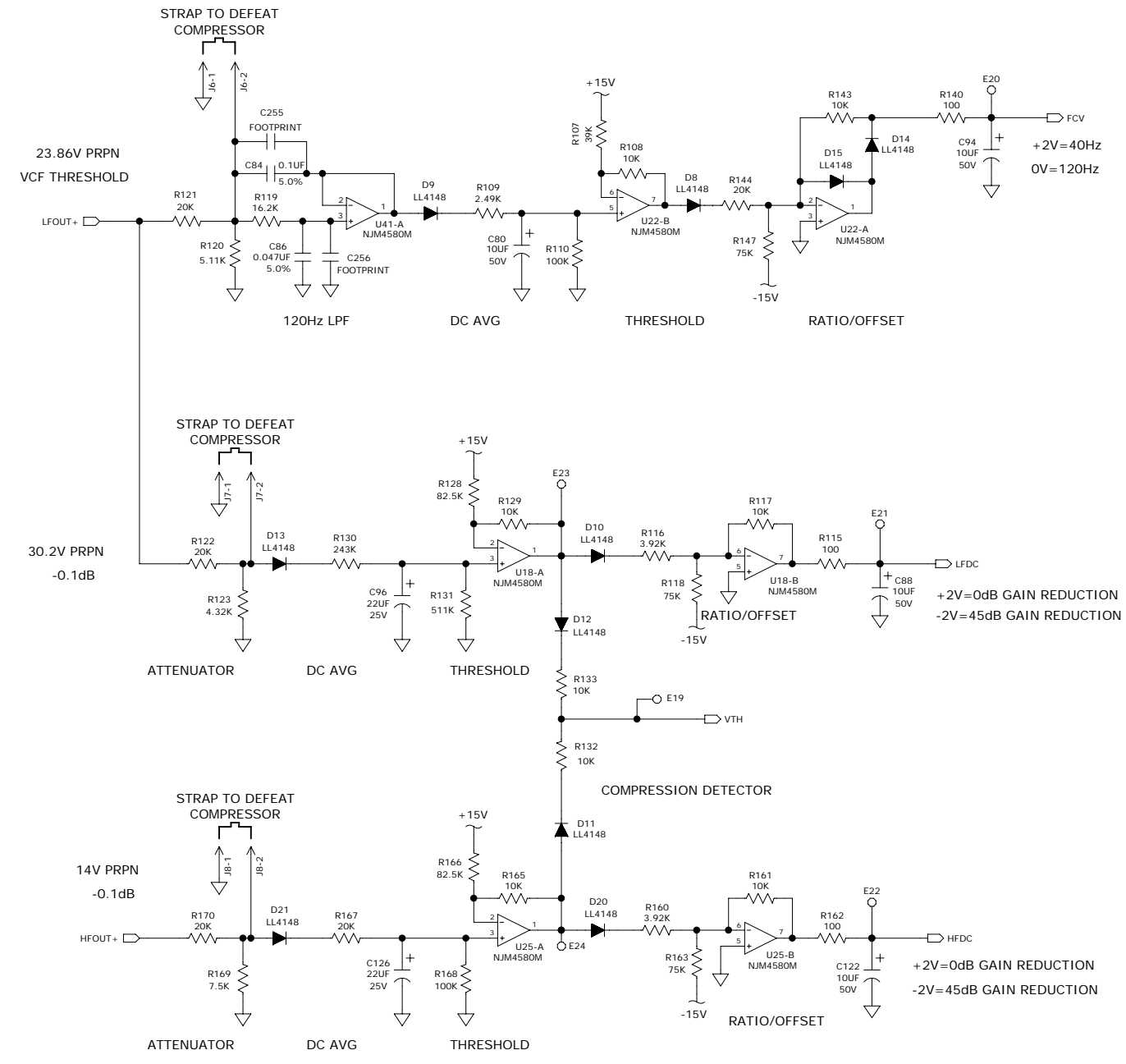
© 2011 LOUD TECHNOLOGIES INC.
ALL RIGHTS RESERVED
THE INFORMATION CONTAINED HEREIN
IS PROPRIETARY AND CONFIDENTIAL
PROPERTY OF LOUD TECHNOLOGIES INC.



LOUD Technologies Inc.
 16220 WOOD-RED RD NE WOODINVILLE, WA 98072

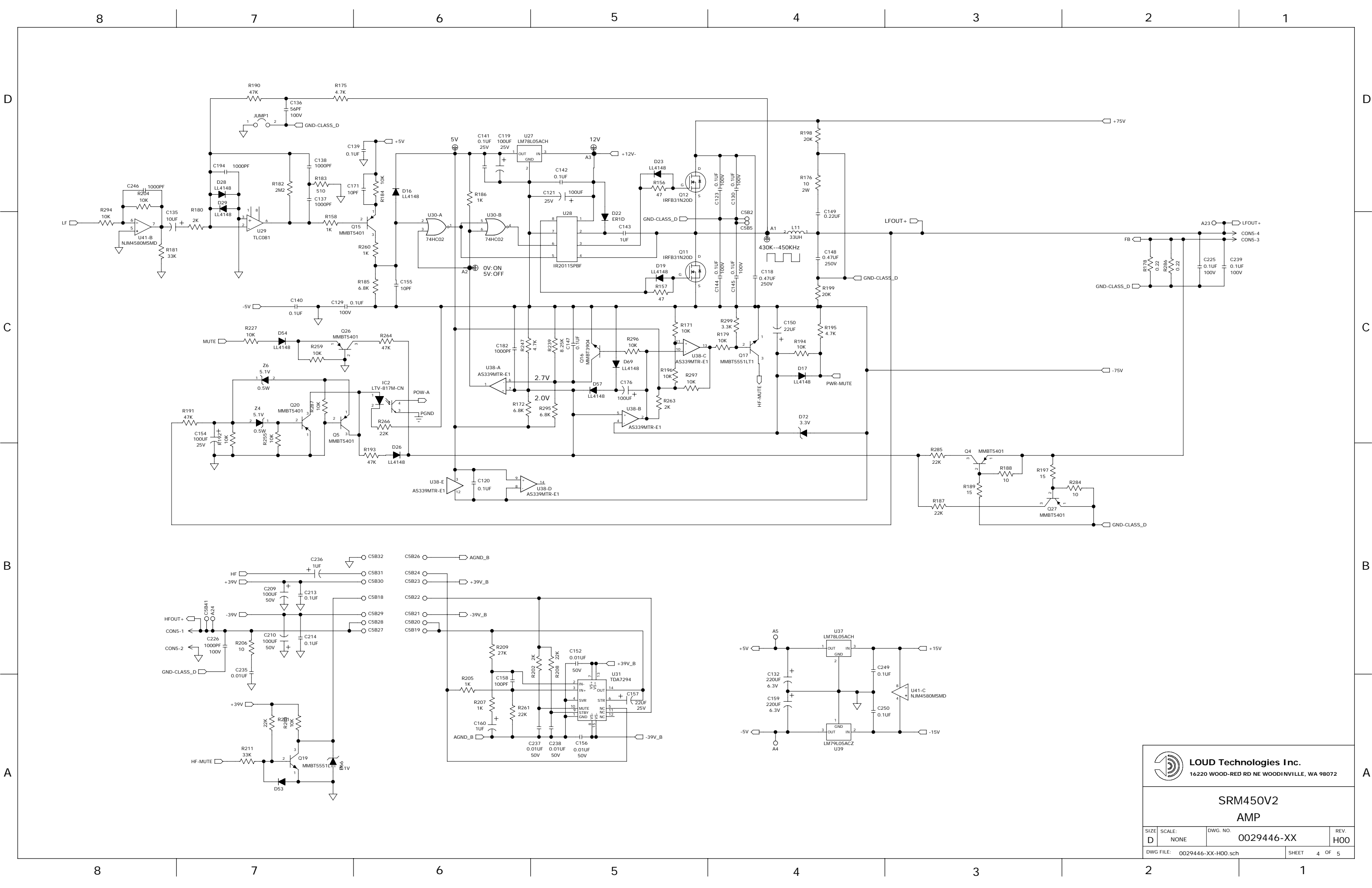
**SRM450V2
 CROSSOVER**

SIZE: D	SCALE: NONE	DWG. NO.: 0029446-XX	REV. H00
DWG FILE: 0029446-XX-H00.sch		SHEET 2 OF 5	



SRM450V2
CONTROL

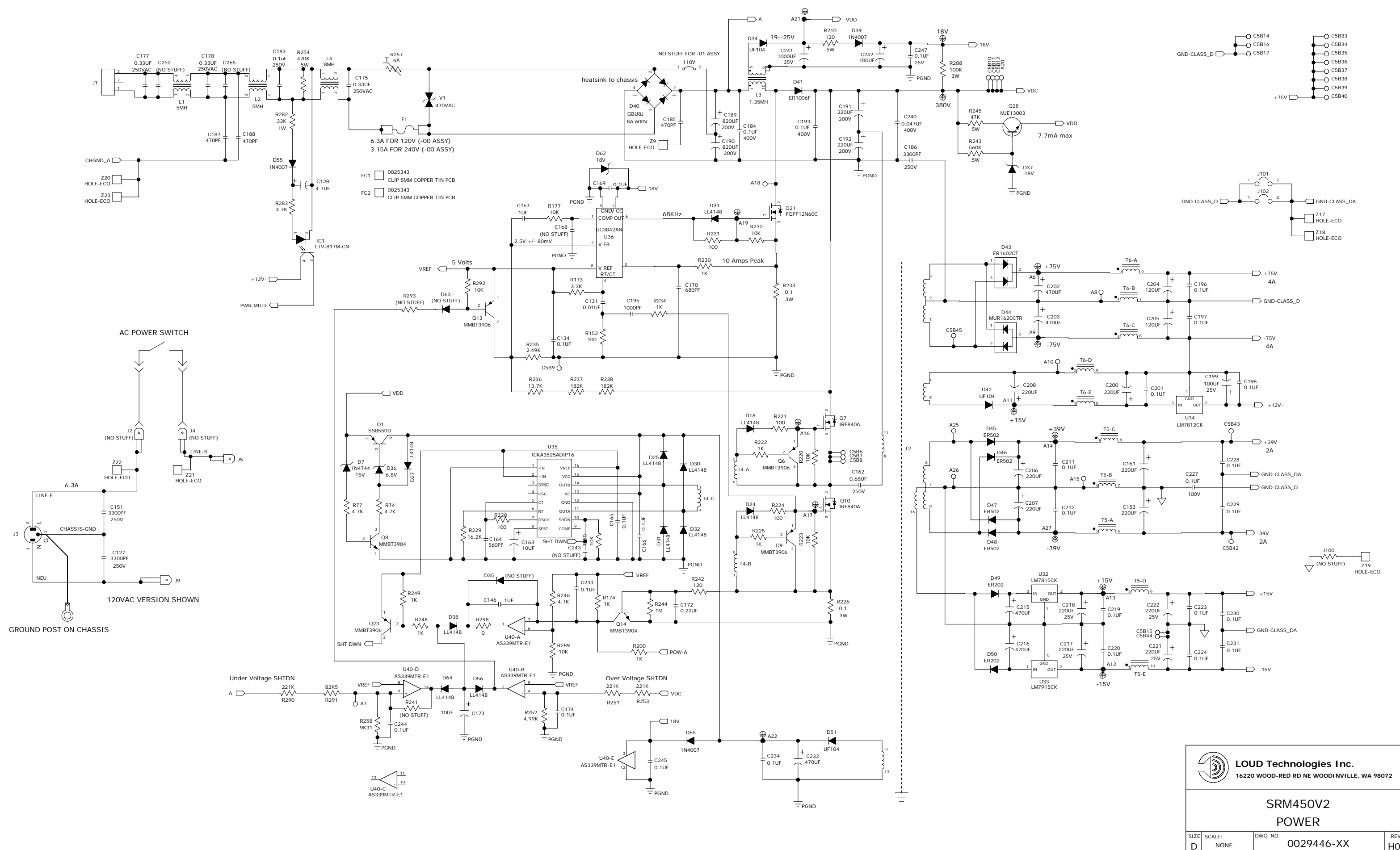
SIZE D	SCALE NONE	DWG. NO. 0029446-XX	REV. H00
DWG FILE: 0029446-XX-H00.sch			SHEET 3 OF 5



LOUD Technologies Inc.
 16220 WOOD-RED RD NE WOODINVILLE, WA 98072

SRM450V2
AMP

SIZE: D	SCALE: NONE	DWG. NO.: 0029446-XX	REV. H00
DWG FILE: 0029446-XX-H00.sch		SHEET 4 OF 5	



LOUD Technologies Inc.
 16220 WOOD-RED RD NE WOODINVILLE, WA 98072

**SRM450V2
 POWER**

SIZE: D	SCALE: NONE	DWG. NO.: 0029446-XX	REV. H00
DWG FILE: 0029446-XX-H00.sch		SHEET 5 OF 5	