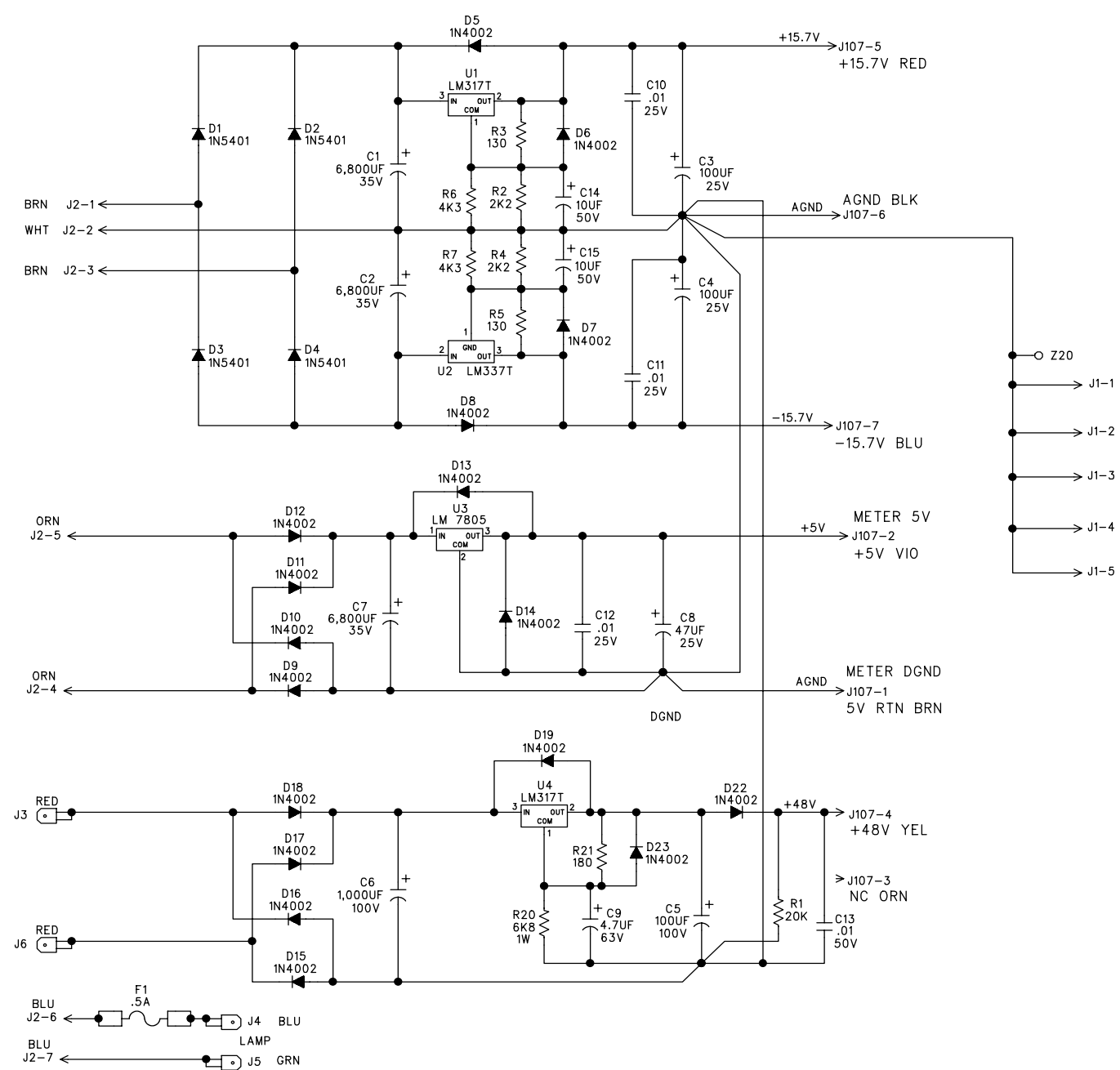


NOTE: THIS SCHEMATIC MODIFIED SO BOM "WORKS" FOR -XX ASSEMBLY DRAWING (-00 OR -01 ASSEMBLY)

REV:	ECO#	DESCRIPTION	REV. BY:	APP. BY:	DATE
A		RELEASE TO PRODUCTION	KR		7-25-95
S	629	C13 TO 50V PART			
	688	TOOLING HOLES TO .130			
	720	R VALUE CHG FOR RAILS	KR		9-24-96
	871	ADD TYWRAP TO GND WIRE			
	993	SOLDER BRIDGE REDUCTION			
	1036	C14,C15 TO AUTO INSERTION			



- 450-053-00 PCB, SR 24-4,SR 32-4 POWER SUPPLY
- 400-060-00 FUSE CLIP PC MT 5MM DIA
- 400-060-00 FUSE CLIP PC MT 5MM DIA
- 740-003-00 TYWRAP 8" BLK
- 040-045-00 18GA 1015 GRN 4IN LUG

- J/4 400-348-00 TERM .187 QDISC STBL PCMT (-01 ASSY ONLY)
- 840-401-00 LBL WIRE COLOR (-01 ASSY ONLY)
- 706-008-00 STDF SWAGE 4-40X.34LX.25 (-00 ASSY ONLY)
- 706-008-00 STDF SWAGE 4-40X.34LX.25 (-00 ASSY ONLY)

UNLESS OTHERWISE SPECIFIED DIMENSIONS ARE IN INCHES TOLERANCES ARE: FRACTIONS: DECIMALS: ANGLES: ±NA .XX ±.01 ±NA .XXX ±.005	CONTRACT NO:		
	APPROVALS	DATE	
MATERIAL: SEE NOTES	DRAWN:	trh	SCHEMATIC SR 24-4,SR 32-4 POWER SUPPLY
	CHECKED:		
FINISH: SEE NOTES	ISSUED:		SIZE D
	ENG:		DWG. NO. 990-053-00
DO NOT SCALE DRAWING	MFG:		REV. S
		SCALE: NONE	SHEET 1 OF 1

