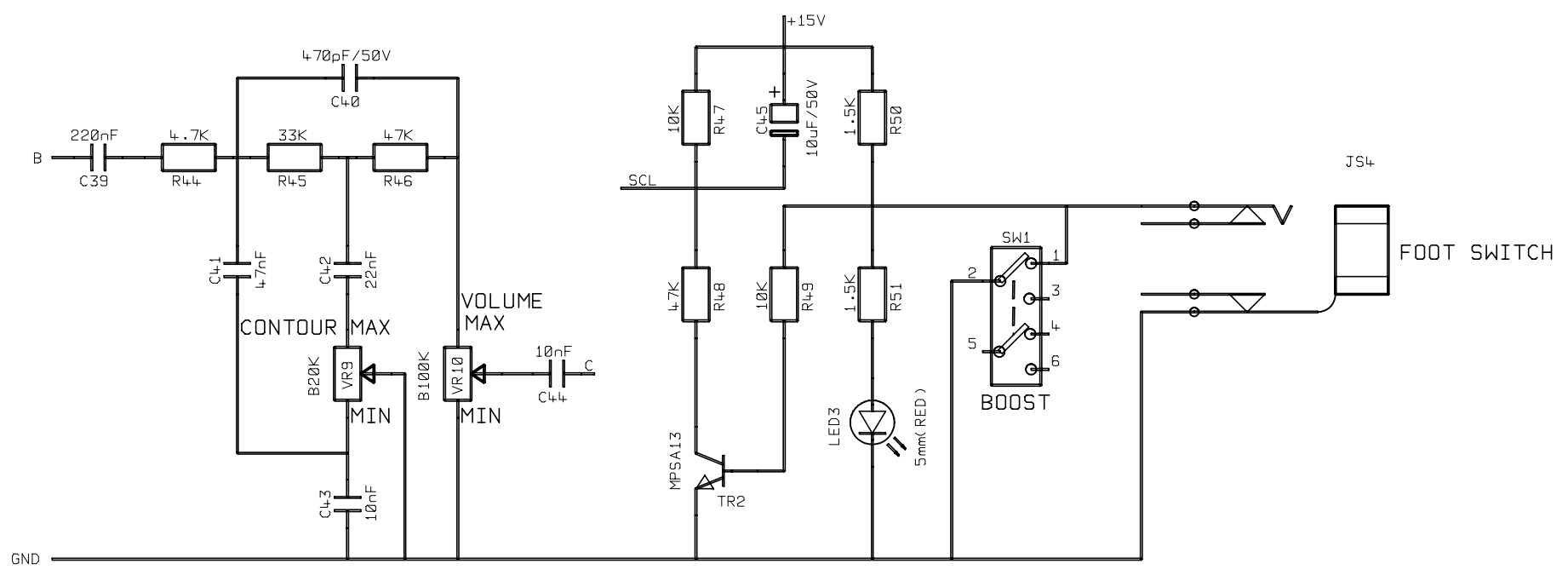
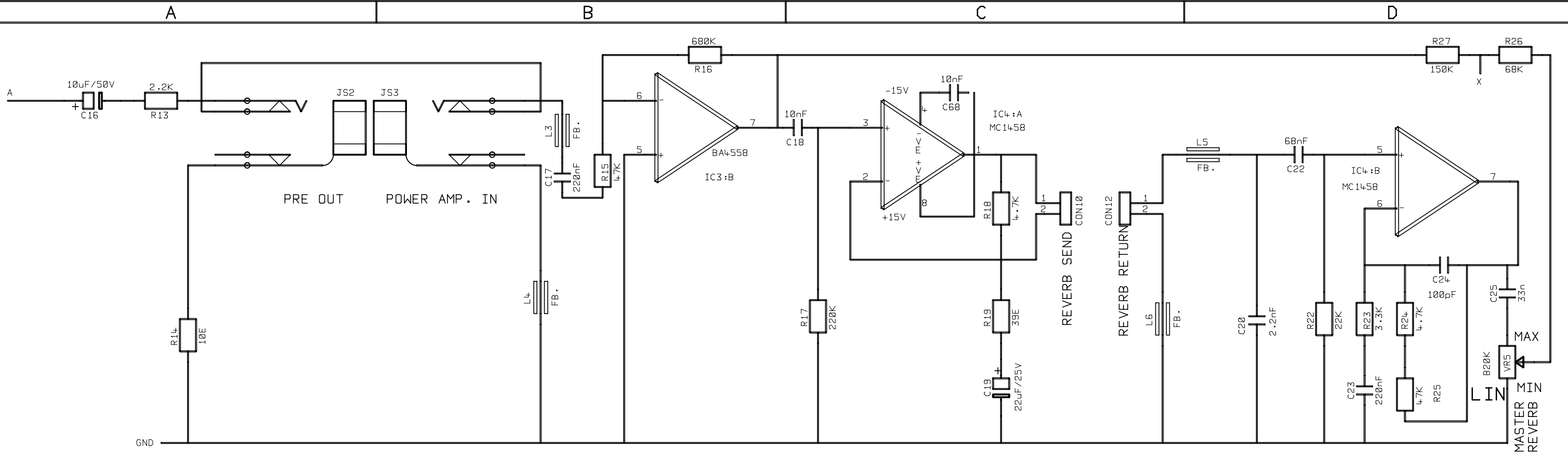


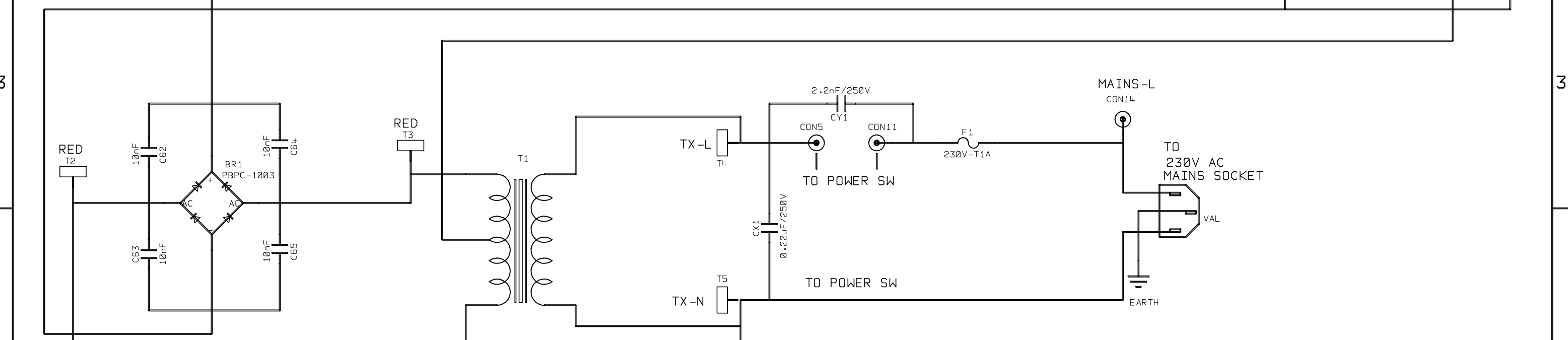
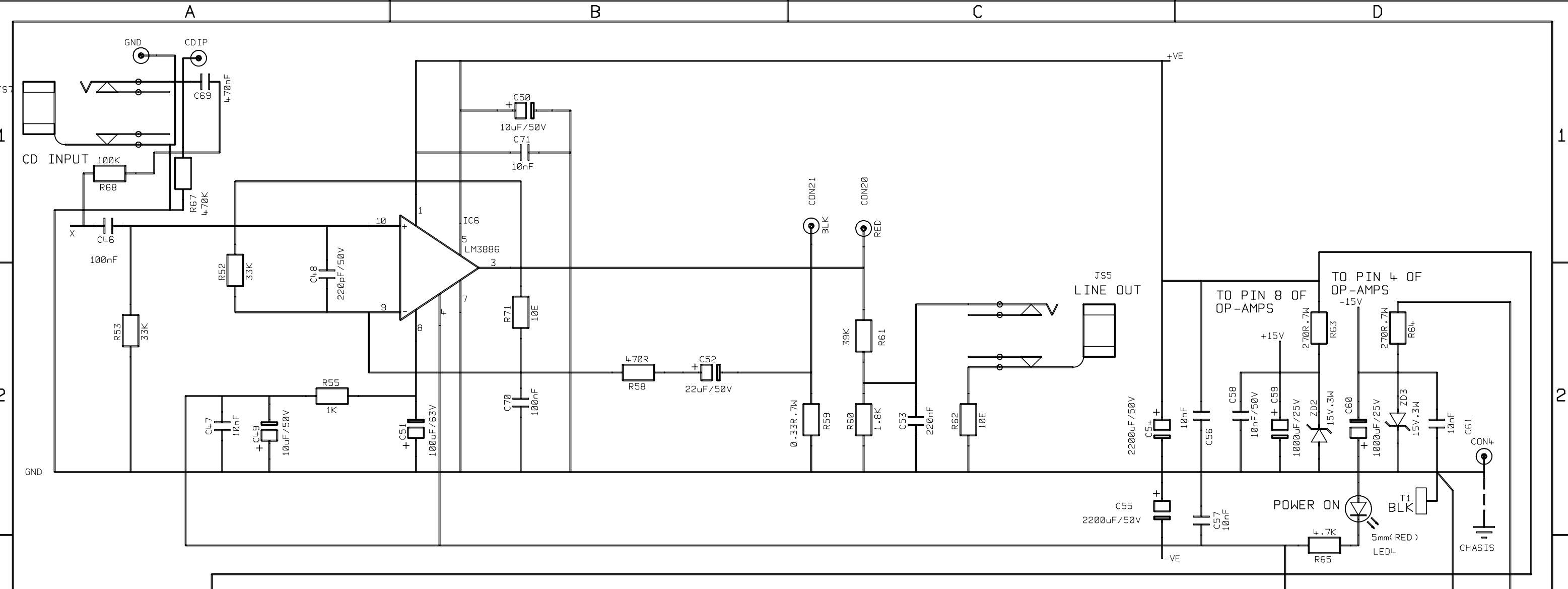
MODEL	G50RCD	Title:- CIRCUIT SCHEMATIC OF PREAMP		
PCBNO	9804020P2	Size	Drg.Number:-	Rev
DES' BY	Surajit	Date:-	6.8.98	Drawn by:- Surajit
APPD' BY		Filename:-	MAIN.S01	Sheet 1 Of 3

DATE :



MODEL	G50RCD	Title:- CIRCUIT SCHEMATIC OF PRE AMP	
PCBNO	9804020P2	Size Drg.Number:-	Rev
DES' BY	Surajit	Date:- 6.8.98	Drawn by:- Surajit
APPD' BY		Filename:- MAIN.S02	Sheet 2 Of 3

DATE:



MODEL	G50RCD	Title:- CIRCUIT SCHEMATIC OF PREAMP	
PCBNO	9804020P2	Size Drg.Number:-	9804019P2
DES. BY	Surajit	Date:-	6.8.98
APPD. BY		Filename:-	MAIN.S03
		Drawn by:-	Surajit
		Rev	0
		Sheet	3 Of 3

DATE :