

NOTE :

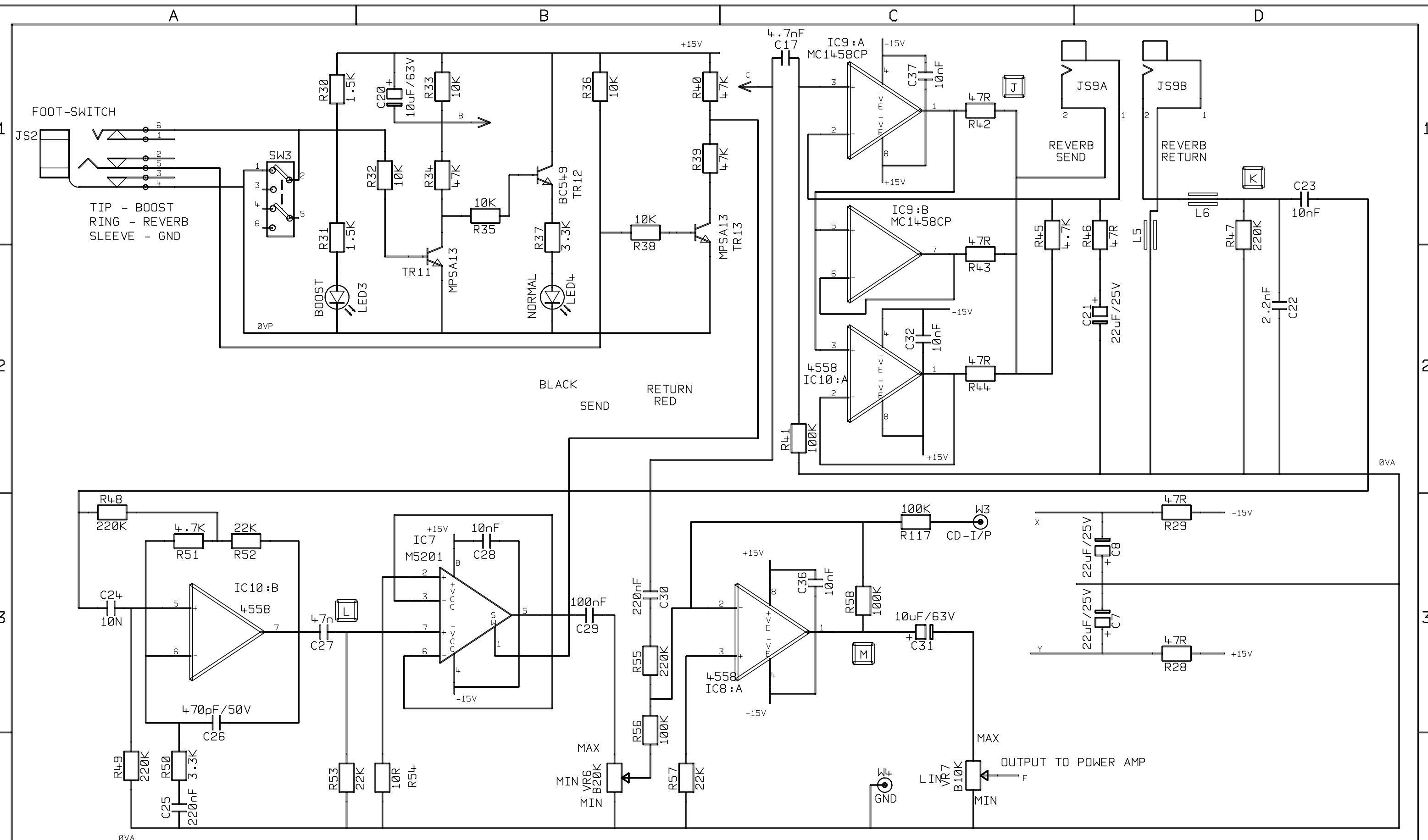
- * CX VALUE CHANGED TO 0.22uF/250V
- * C20 & C45 VOLT RATING CHANGED TO 63V
- * C72 TO C75 CHANGED TO MLC 10nF/200V
- * CY1 CAP ADDED VALUE 0.0022uF/250V
- * TR2 & TR5 CHANGED TO MPSA42
- * TR3 & TR4 CHANGED TO MPSA92
- * REVERB JACK CHANGED
- * REV-2 VALUE CHANGED R96 WAS 820R & R100 WAS 680R

CHANGE FOR REV-3

- *WIRE POINT NAME CHANGED
- *TAGS ADDED
- *RCD1 DELETE AND R117 ADDED

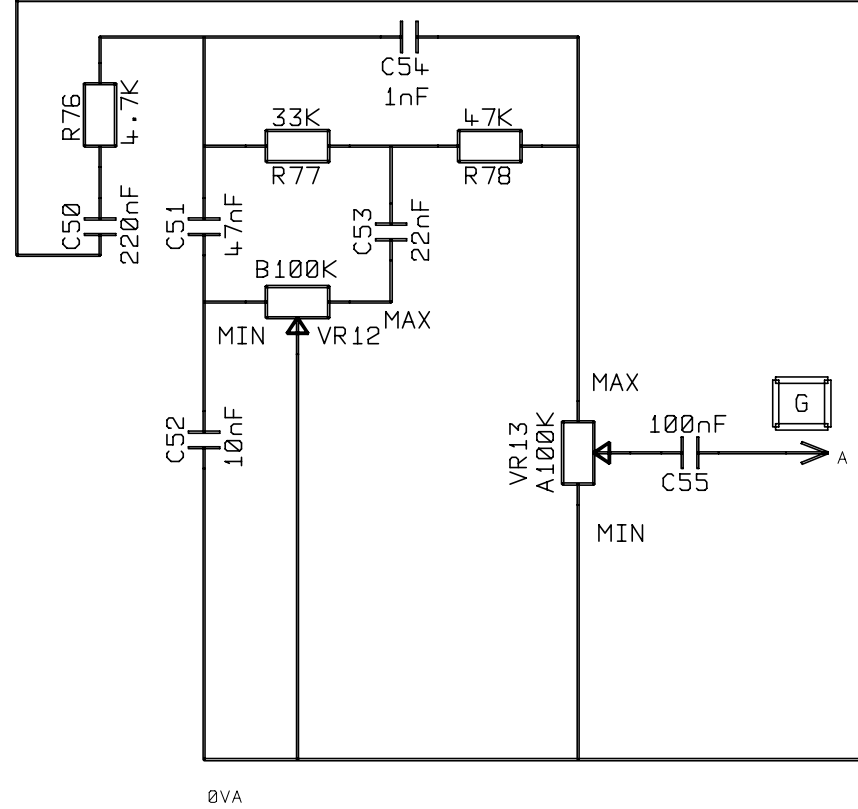
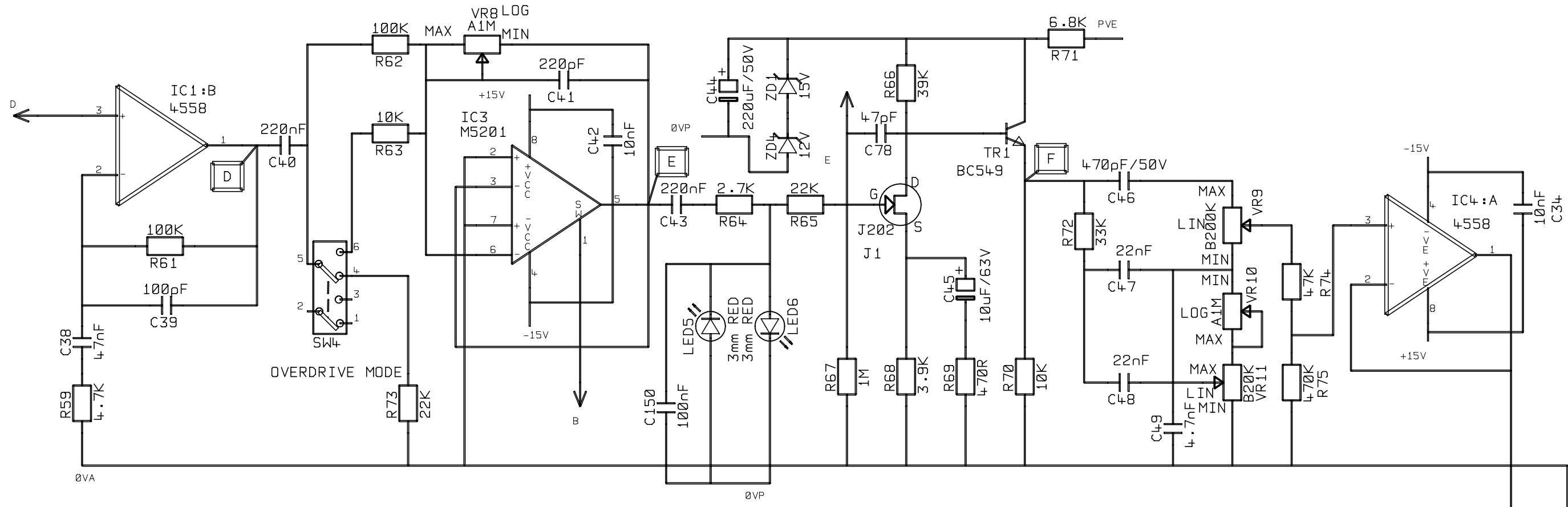
3	10/08/98	SEE NOTE FOR CHANGES		SPS	MODEL	G8080	Title:- SCHEMATIC OF G8080	
2	10/6/98	SEE NOTE FOR CHANGES		SPS			Size Drg.Number:-	Rev
4	08/09/98	SEE NOTE FOR CHANGES ON PAGE		SPS	PCBNO	9711015	9711014	4
REV.	DATE	DESCRIPTION	ENGG SIGN	DRN BY	APPD BY	Date:- 7/11/97	Drawn by: SPS	Sheet 1 Of 5

DATE: 10/8/98

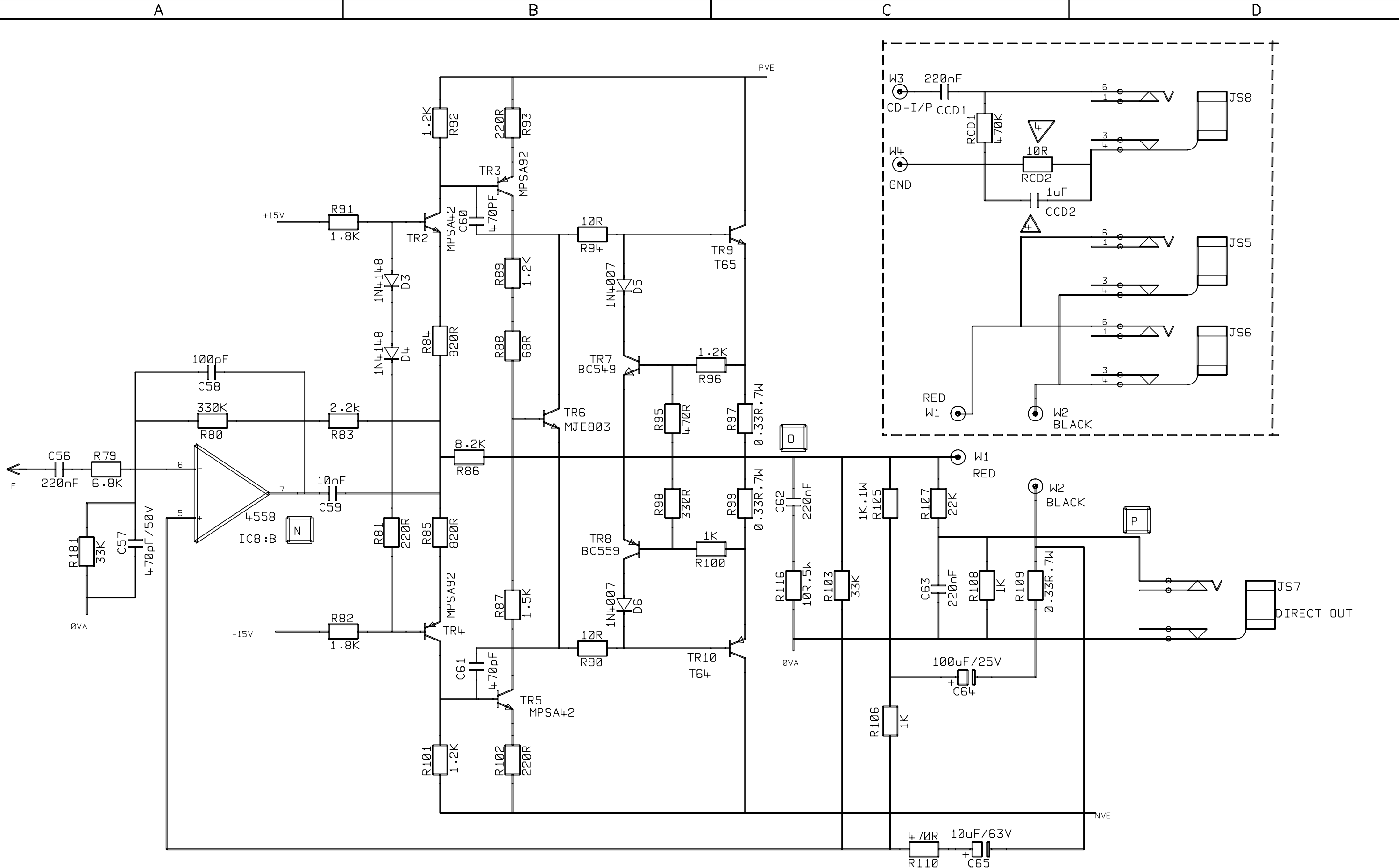


R42,R43,R44 VALUE CHANGED TO 4.7R
 IC 9A & B FB ADDED IC 10A FB ADDED

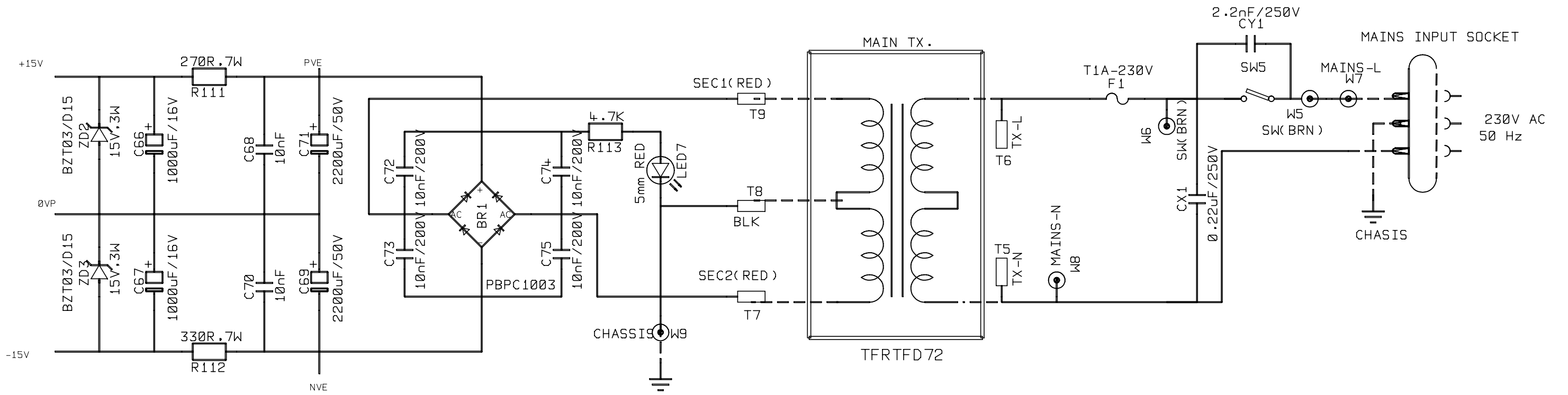
3	10/8/98	SEE NOTE ON SHEET 1 OF 5	SPS	MODEL	G8080	Title:- SCHEMATIC OF G8080	
2	10/6/98	SEE NOTE ON SHEET 1 OF 5	SPS	PCBNO	9711015	Size	Drng.Number:- 9711014
4	8/9/98	SEE NOTE ON SHEET 2 OF 5	SPS	DES' BY		Date:- 7/11/97	Drawn by:-SPS
REV.	DATE	DESCRIPTION	ENGG SIGN	DRN BY	APPD'BY	Filename:MAIN.S02	Sheet 2 Of 5



3	10/8/98	SEE NOTE ON SHEET 1 OF 5		SPS	MODEL	G8080	Title:- SCHEMATIC OF G8080		
2	10/6/98	SEE NOTE ON SHEET 1 OF 5		SPS			Size	Dwg.Number:-	Rev
4	8/9/98	SEE NOTE ON SHEET 2 OF 5		SPS	PCBNO	9711015		9711014	4
REV.	DATE	DESCRIPTION	ENGG SIGN	DRN BY	DES' BY		Date:-	8/11/97	Drawn by:- SPS
					APPD' BY		Filename:MAIN.S03		Sheet 3 Of 5



3	10/8/98	SEE NOTE ON SHEET 1 OF 5	SPS	MODEL	Title:- SCHEMATIC OF POWER AMP G8080	
2	10/6/98	SEE NOTE ON SHEET 1 OF 5	SPS	PCBNO	Size Drg.Number:-	Rev 4
4	8/9/98	SEE NOTE ON SHEET 2 OF 5	SPS	9711015	9711014	4
REV.	DATE	DESCRIPTION	ENGG SIGN	DRN BY	DES. BY	Date:- 8-11-97
					APPD. BY	Drawn by:- SPS
						Filename:- MAIN.S04
						Sheet 4 Of 5



3	10/8/98	SEE NOTE ON SHEET 1 OF 5		SPS	MODEL	G8080	Title: SCHEMATIC OF POWER SUPPLY G8080		
2	10/6/98	SEE NOTE ON SHEET 1 OF 5		SPS			Size	Drg.Number:-	Rev
4	8/9/98	SEE NOTE ON SHEET 2 OF 5		SPS	PCBNO	9711015		9711014	4
REV.	DATE	DESCRIPTION	ENGG SIGN	DRN BY	DES BY		Date:-	8/11/97	Drawn by: SPS
					APPD BY		Filename:-	MAIN.S05	Sheet 5 Of 5