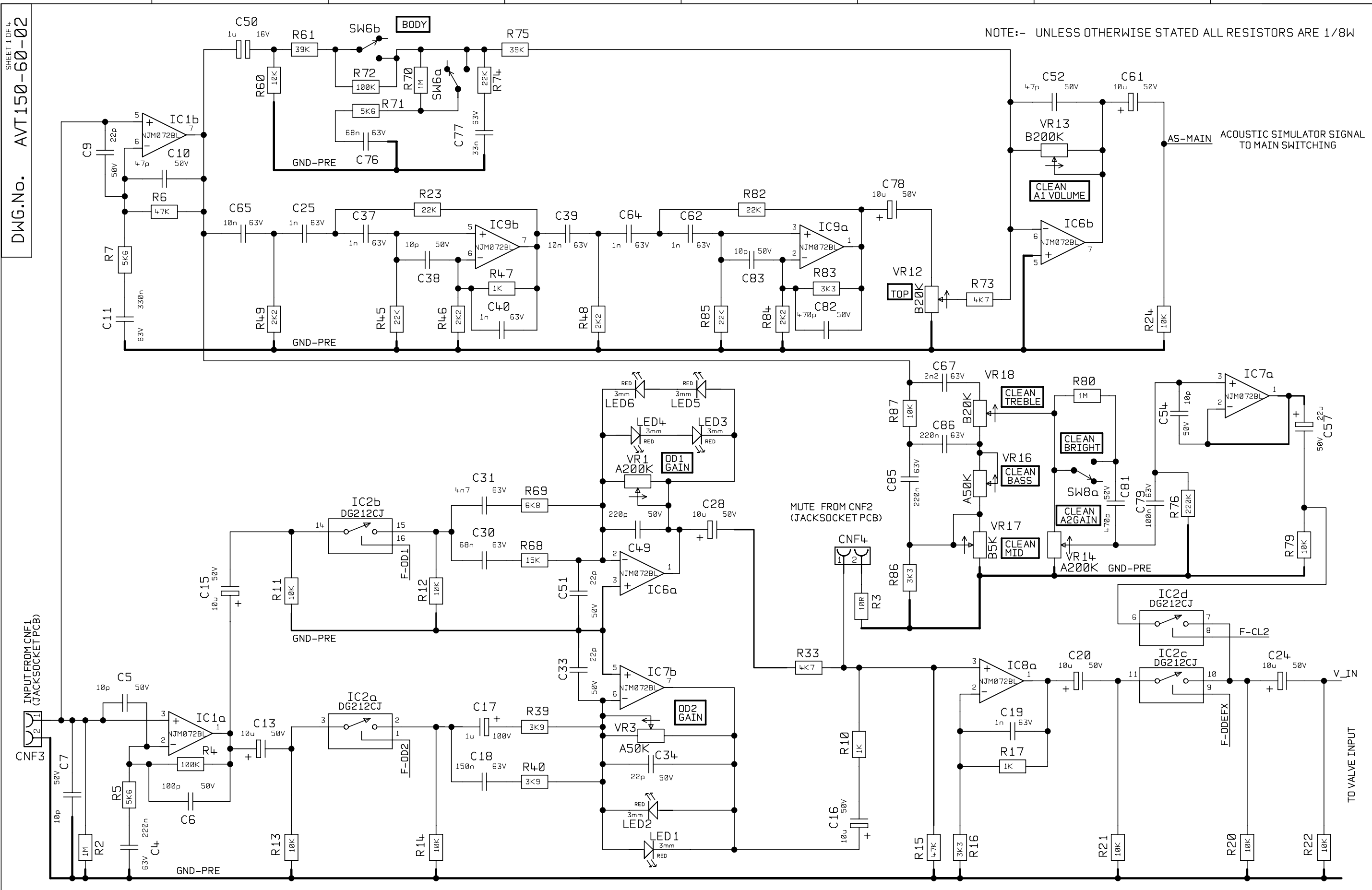



ignorelayers 4

SHEET 1 OF 4
DWG.No. AVT150-60-02

NOTE:- UNLESS OTHERWISE STATED ALL RESISTORS ARE 1/8W

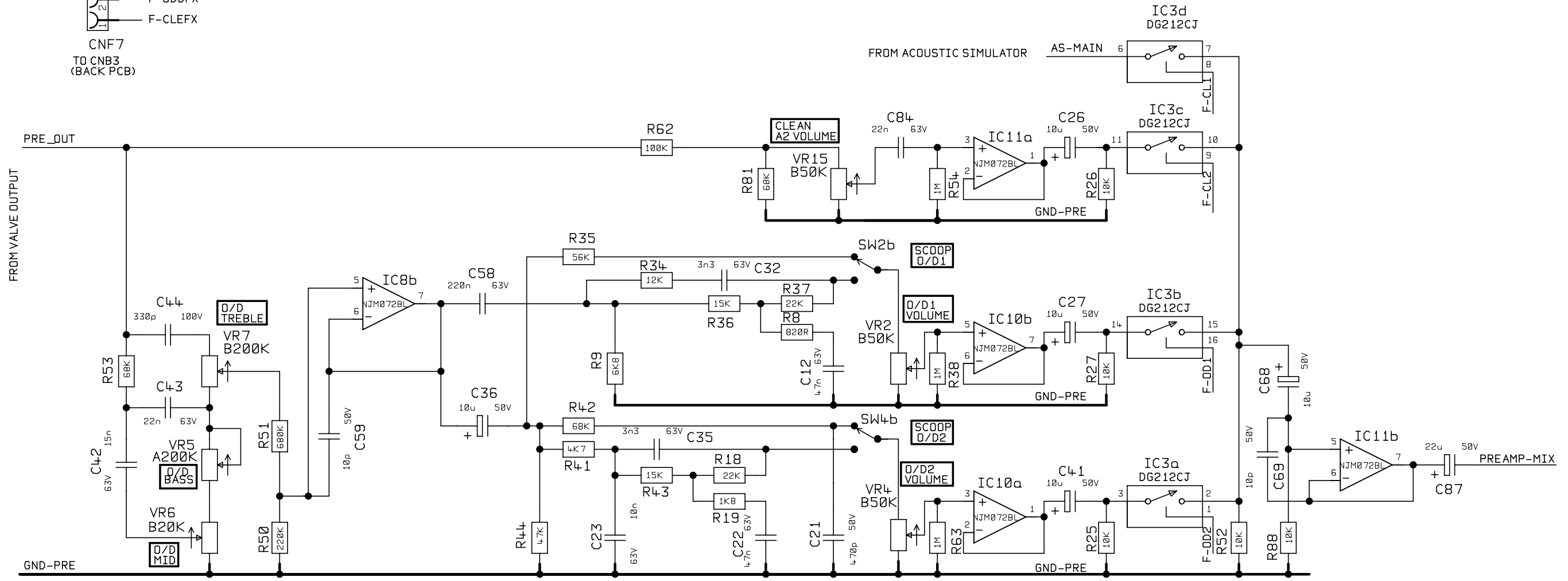
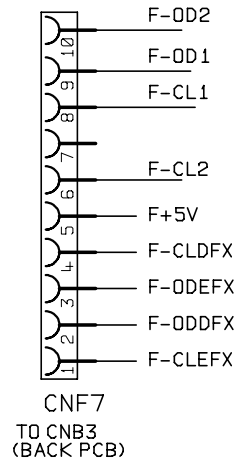



4	2005	28/06/01	ALL OTHER HOLES =				X = (THROUGH PLATED)				MATERIAL		DIMENSIONS IN		 © MARSHALL AMPLIFICATION PLC DENBIGH ROAD, BLETCHLEY, MILTON KEYNES, MK1 1DQ. TEL (01908) 375411 FAX (01908) 376118	TITLE FRONT PCB CIRCUIT DIAGRAM DWG.No AVT150-60-02	SHEET 1 OF 4 ISS 4
3		24/10/00	A	E	J	N	MATERIAL THICKNESS		TOLERANCE (UNLESS OTHERWISE STATED)		MODEL AVT150/AVT150H/AVT275						
2	1920	22/09/00	B	F	K	P	DRAWN	RSB	DATE	12/09/00							
ISS	ECO NUMBER	DATE	C	G	L	Q	CHECKED		DATE								
			D	H	M	R	APPROVED		DATE								

ignorelayers 4

SHEET 2 OF 4
DWG.No. AVT150-60-02

NOTE:- UNLESS OTHERWISE STATED ALL RESISTORS ARE 1/8W

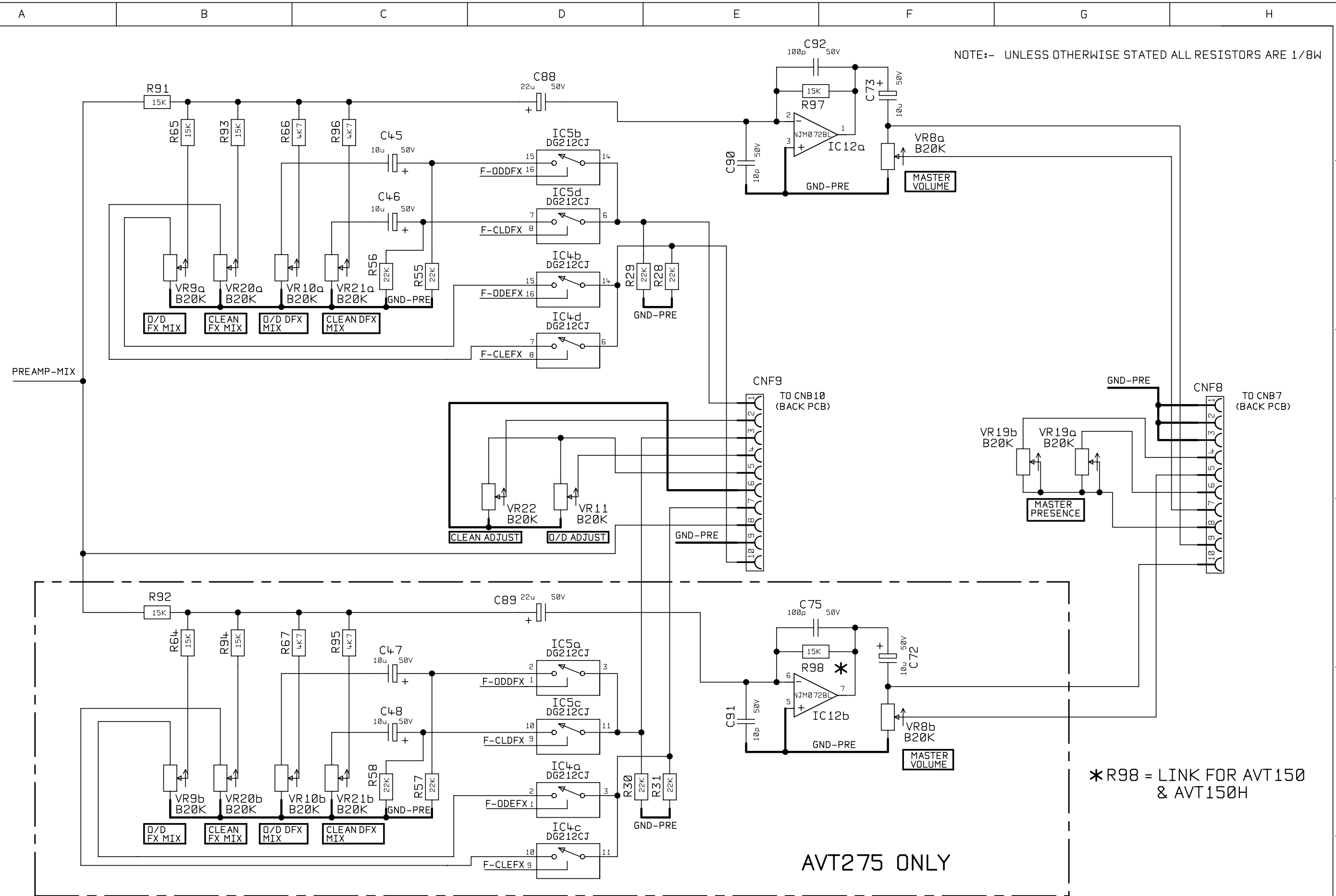


4	2005	28/06/01	ALL OTHER HOLES =				X = (THROUGH PLATED)				MATERIAL	DIMENSIONS IN		 © MARSHALL AMPLIFICATION PLC DENBIGH ROAD, BLETCHLEY, MILTON KEYNES, MK1 10G. TEL: (01908) 375411 FAX: (01908) 376110	TITLE	FRONT PCB CIRCUIT DIAGRAM		
3		24/10/00	A	E	J	N	MATERIAL THICKNESS	TOLERANCE (UNLESS OTHERWISE STATED)		DRAWN	RSB	DATE	12/09/00		DWG.No	AVT150-60-02	ISS	4
2	1920	22/09/00	B	F	K	P	CHECKED	MODEL		DATE								
ISS	ECO NUMBER	DATE	C	G	L	Q	APPROVED	AVT150/AVT150H/AVT275		DATE								
			D	H	M	R												

ignorelayers 4


SHEET 3 OF 4
DWG.No. AVT150-60-02

NOTE:- UNLESS OTHERWISE STATED ALL RESISTORS ARE 1/8W



* R98 = LINK FOR AVT150 & AVT150H

AVT275 ONLY

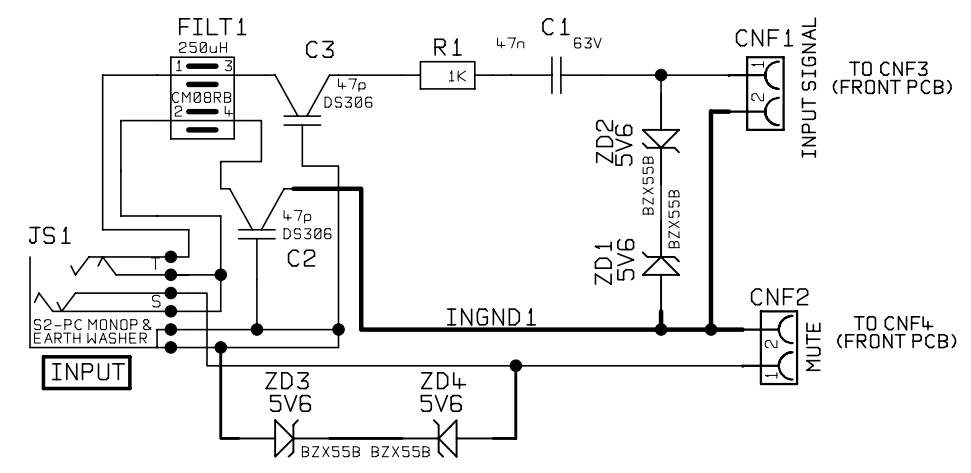
4	2005	28/06/01	ALL OTHER HOLES =												X = (THROUGH PLATED)		MATERIAL		DIMENSIONS IN		 © MARSHALL AMPLIFICATION PLC DENBIGH ROAD, BLETCHLEY, MILTON KEYNES, MK1 10G. TEL: (01908) 375411 FAX: (01908) 376110	TITLE	FRONT PCB	SHEET 3 OF 4	ISS
3		24/10/00	A		E													TOLERANCE (UNLESS OTHERWISE STATED)		DWG.No		AVT150-60-02	4		
2	1920	22/09/00	B		F													MODEL		AVT150/AVT150H/AVT275					
ISS	ECO NUMBER	DATE	C		G													DATE							
			D		H													DATE							

ignorelayers 4

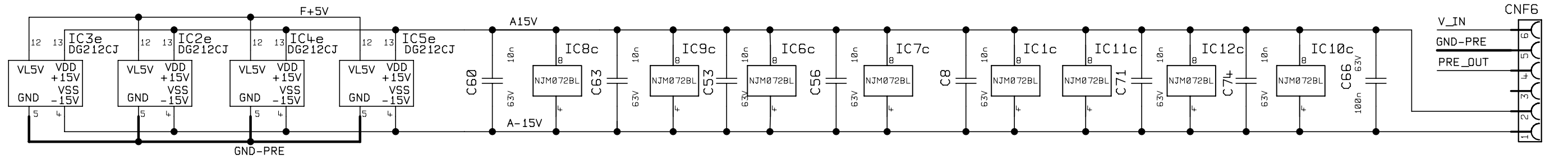
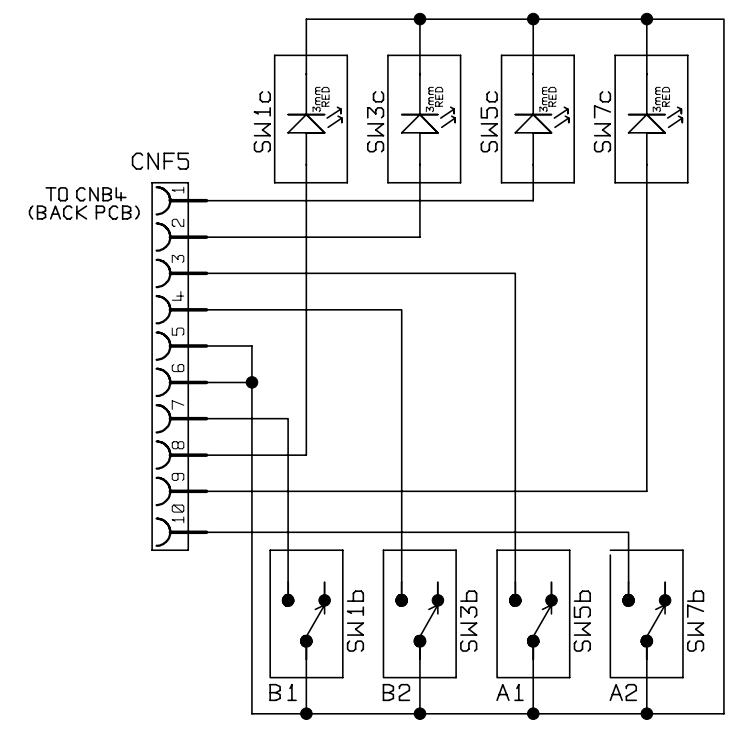
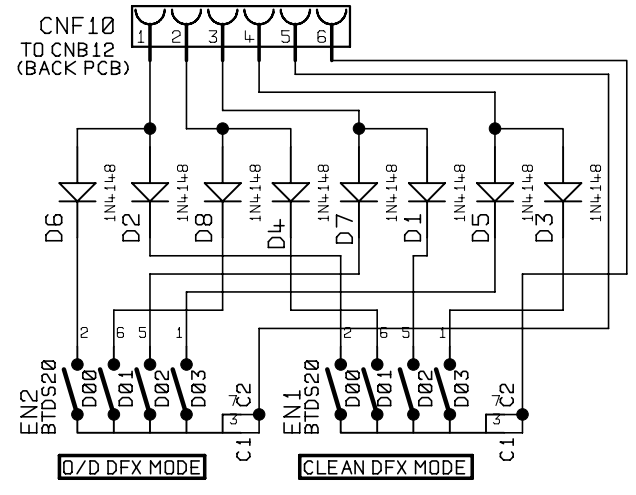
SHEET 4 OF 4
DWG.No. AVT150-60-02

NOTE:- UNLESS OTHERWISE STATED ALL RESISTORS ARE 1/8W

JACKSOCKET PCB



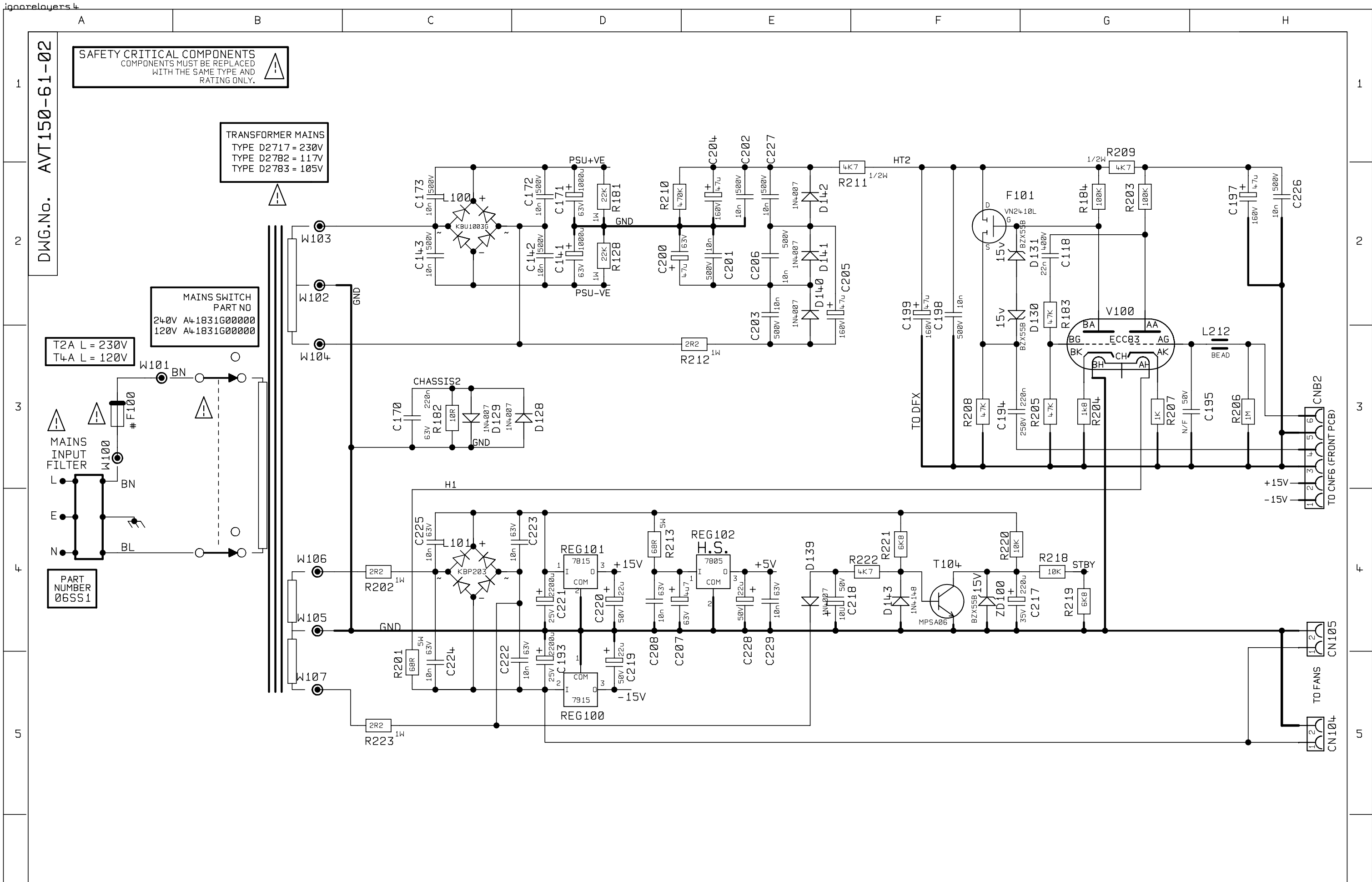
ENCODER PCB



4	2005	28/06/01	A	E	J	N
3		24/10/00	B	F	K	P
2	1920	22/09/00	C	G	L	Q
ISS	ECO NUMBER	DATE	D	H	M	R



TITLE	FRONT PCB CIRCUIT DIAGRAM	
DWG.No	AVT150-60-02	ISS 4



DWG.No. AVT150-61-02

SAFETY CRITICAL COMPONENTS
COMPONENTS MUST BE REPLACED
WITH THE SAME TYPE AND
RATING ONLY.

TRANSFORMER MAINS
TYPE D2717 = 230V
TYPE D2782 = 117V
TYPE D2783 = 105V

MAINS SWITCH
PART NO
240V A4.1831G00000
120V A4.1831G00000

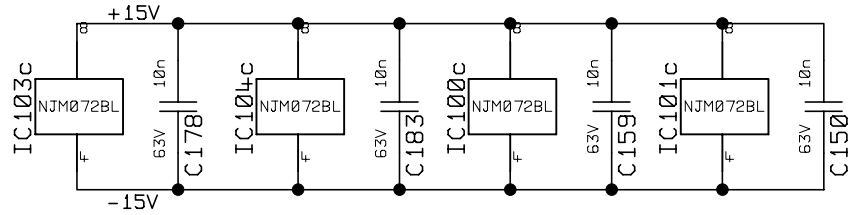
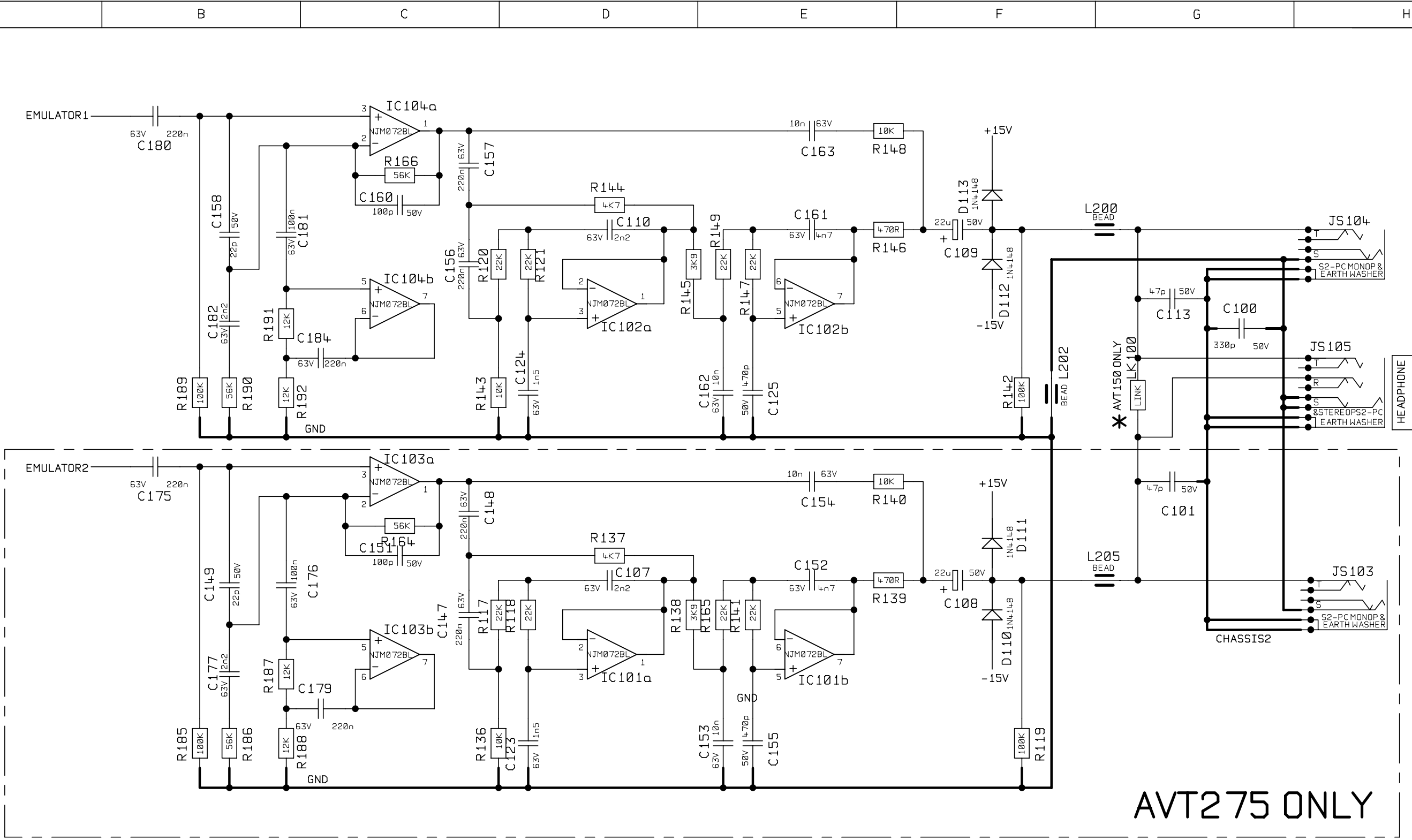
T2A L = 230V
T4A L = 120V

MAINS INPUT FILTER

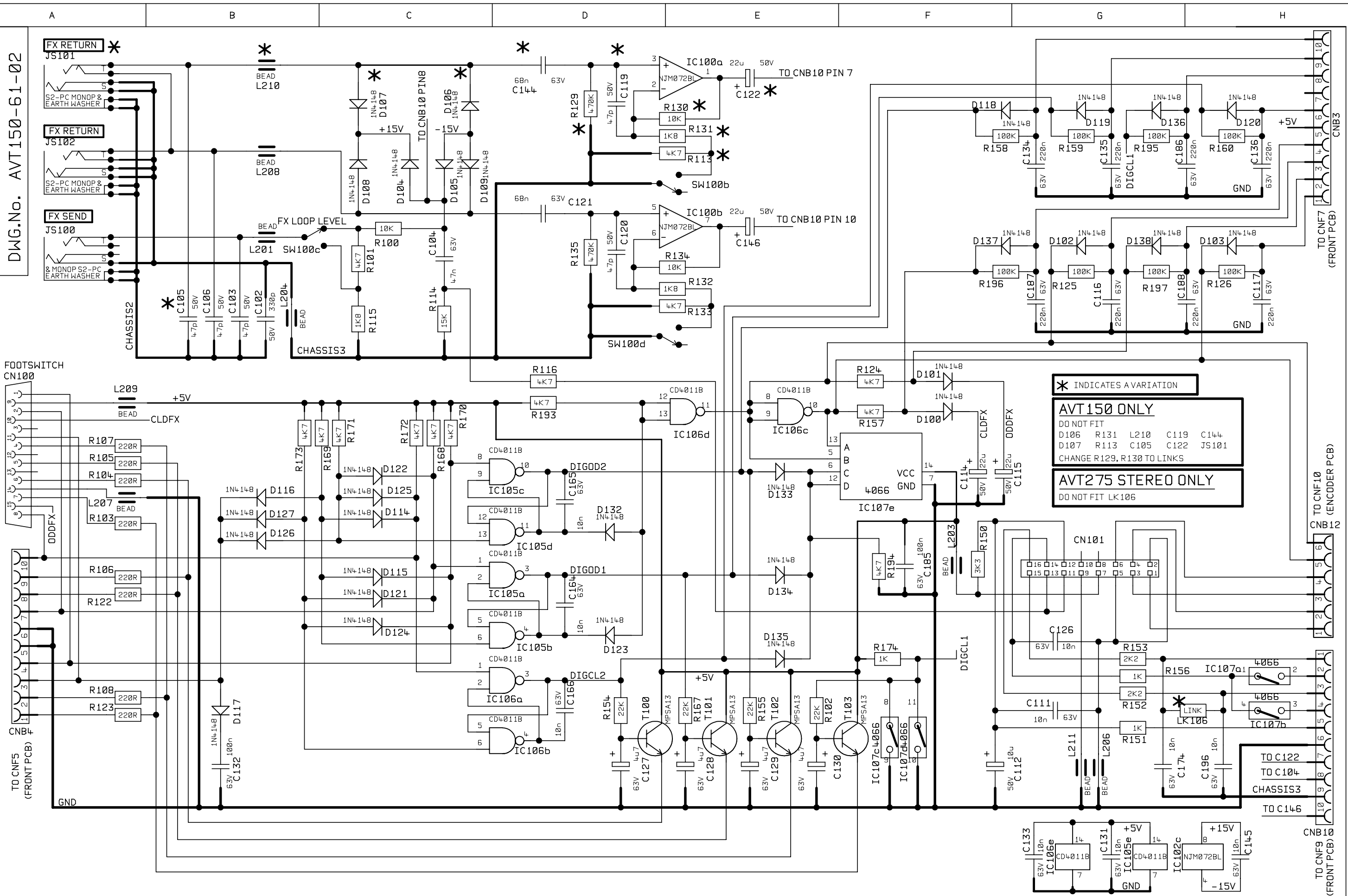
PART NUMBER 06SS1

		ALL OTHER HOLES =		X = (THROUGH PLATED)		MATERIAL		DIMENSIONS IN		<p>MARSHALL AMPLIFICATION PLC DENBIGH ROAD, BLETCHLEY, MILTON KEYNES, MK1 1DG. TEL (01908) 375411 FAX (01908) 375118</p>	TITLE BACK PCB CIRCUIT	
3	1936	23-10-2000	A	E	J	N	MATERIAL THICKNESS	TOLERANCE (UNLESS OTHERWISE STATED)			SHT 1 OF 4	
2	1918	19-9-2000	B	F	K	P	DRAWN A.G.	DATE 15-8-00	MODEL AVT150/AVT150H AVT275		ISS	
ISS	ECO NUMBER	DATE	C	G	L	Q	CHECKED	DATE			3	
			D	H	M	R	APPROVED	DATE				

DWG.No. AVT150-61-02



3		1936		23-10-2000		A		E		J		N		MATERIAL THICKNESS		DIMENSIONS IN TOLERANCE (UNLESS OTHERWISE STATED)				TITLE			
2		1918		19-9-2000		B		F		K		P		DRAWN A.G.		DATE 17-8-00				BACK PCB CIRCUIT		SHT 2 OF 4	
ISS		ECO NUMBER		DATE		C		G		L		Q		CHECKED		DATE		MODEL AVT150/AVT150H AVT275		DWG.No AVT150-61-02		ISS 3	
A		B		C		D		E		F		G		H									



*** INDICATES A VARIATION**

AVT150 ONLY
 DO NOT FIT
 D106 R131 L210 C119 C144
 D107 R113 C105 C122 JS101
 CHANGE R129, R130 TO LINKS

AVT275 STEREO ONLY
 DO NOT FIT LK106

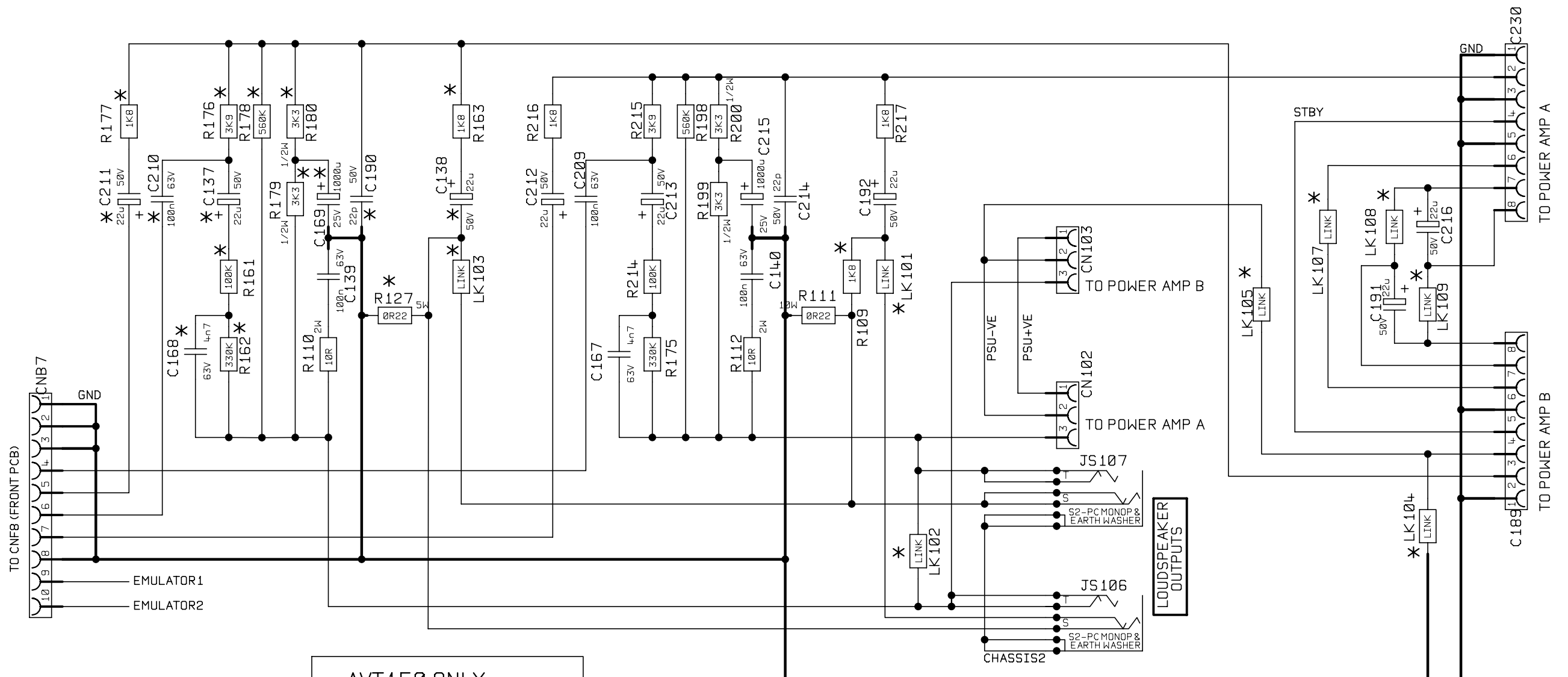
ALL OTHER HOLES =		X = (THROUGH PLATED)	
3	1936	23-10-2000	
2	1918	19-9-2000	
ISS	ECO NUMBER	DATE	

MATERIAL	DIMENSIONS IN
MATERIAL THICKNESS	TOLERANCE (UNLESS OTHERWISE STATED)
DRAWN A.G.	DATE 9-8-2000
CHECKED	DATE
APPROVED	DATE
MODEL	AVT150/AVT150H AVT275



TITLE	BACK PCB CIRCUIT
DWG.No	AVT150-61-02
ISS	3

DWG.No. AVT150-61-02



* INDICATES A VARIATION

AVT275 STEREO ONLY
 DO NOT FIT
 LK101, LK102, LK103, LK105
 LK107, LK108, LK109
 MUST FIT
 LK104
 CHANGE
 R109 TO LINK

AVT150 ONLY
 DO NOT FIT
 C137 R127 (5WATT)
 C138 R161
 C168 R162
 C169 R163
 C190 R176
 C210 R177
 C211 R178
 R179
 R180
 LK104
 MUST FIT :-
 LK101, LK102, LK103, LK105
 LK107, LK108, LK109

3	1936	23-10-2000	A	E	J	N
2	1918	19-9-2000	B	F	K	P
ISS	ECO NUMBER	DATE	C	G	L	Q
			D	H	M	R

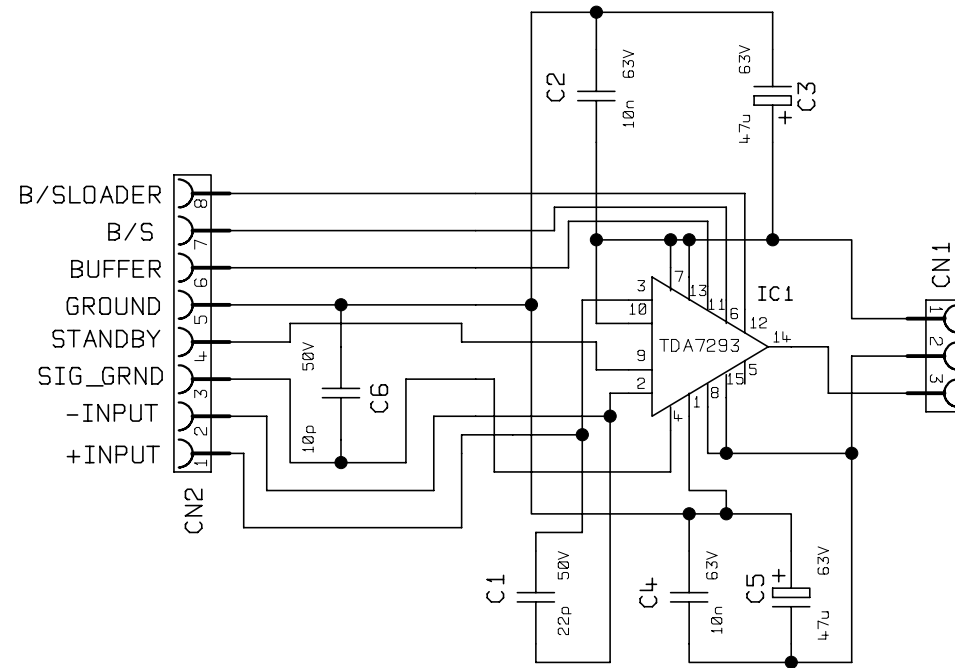
MATERIAL		DIMENSIONS IN	
MATERIAL THICKNESS		TOLERANCE (UNLESS OTHERWISE STATED)	
DRAWN A.G.	DATE 17-8-00	MODEL AVT150/AVT150H	
CHECKED	DATE	AVT275	
APPROVED	DATE		




TITLE	BACK PCB CIRCUIT	SHT 4 OF 4
DWG.No	AVT150-61-02	ISS 3

RIGHT PAGE 13 +

DWG.No. AVT50-62-02



		ALL OTHER HOLES = X = (THROUGH PLATED)								MATERIAL		DIMENSIONS IN		 <p>© MARSHALL AMPLIFICATION PLC DENBIGH ROAD, BLETCHLEY, MILTON KEYNES, MK1 1DG. TEL (01908) 375411 FAX (01908) 376118</p>		TITLE AVT POWER MODULE SCHEMATIC	
1 C6 ADDED		26/01/00								MATERIAL THICKNESS		TOLERANCE (UNLESS OTHERWISE STATED)				DWG.No AVT50-62-02	
A PRE-PRODUCTION										DRAWN SG DATE 2/9/99							
ISS ECO NUMBER		DATE								CHECKED DATE		MODEL AVT50,AVT100,AVT150 AVT150H & AVT275					
										APPROVED DATE							