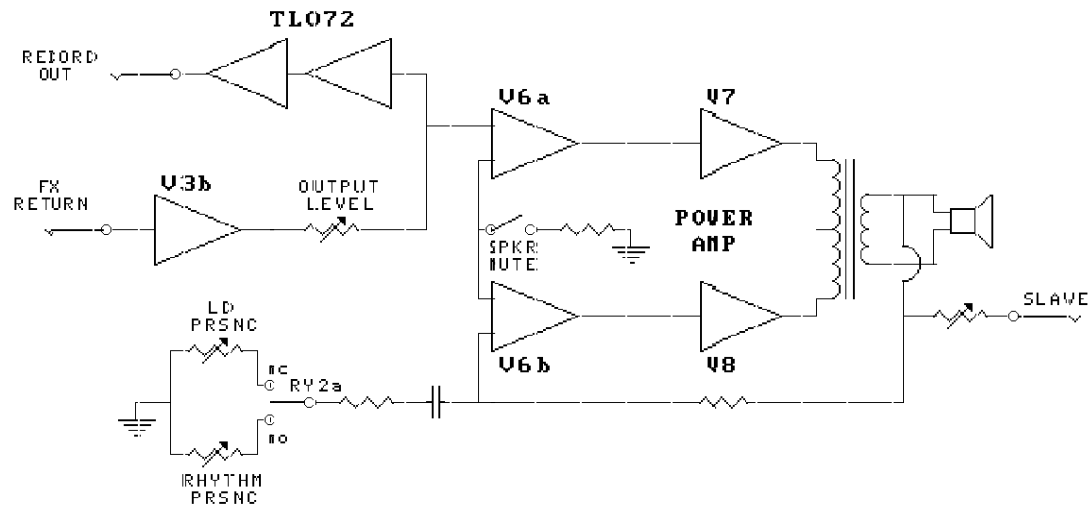
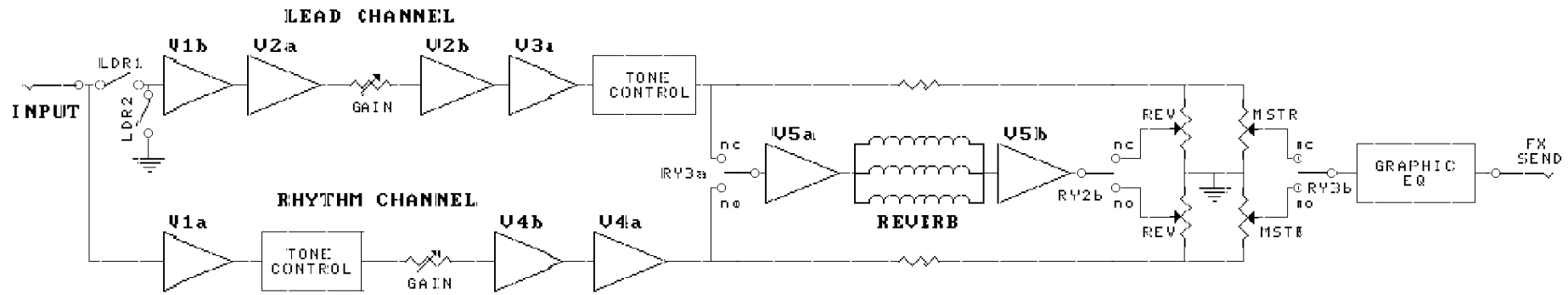


MESA/BOOGIE[®]

DC-5

MESA-BOOGIE
DC-5
BLOCK DIAGRAM
 FILE DC5BLOCK.S01

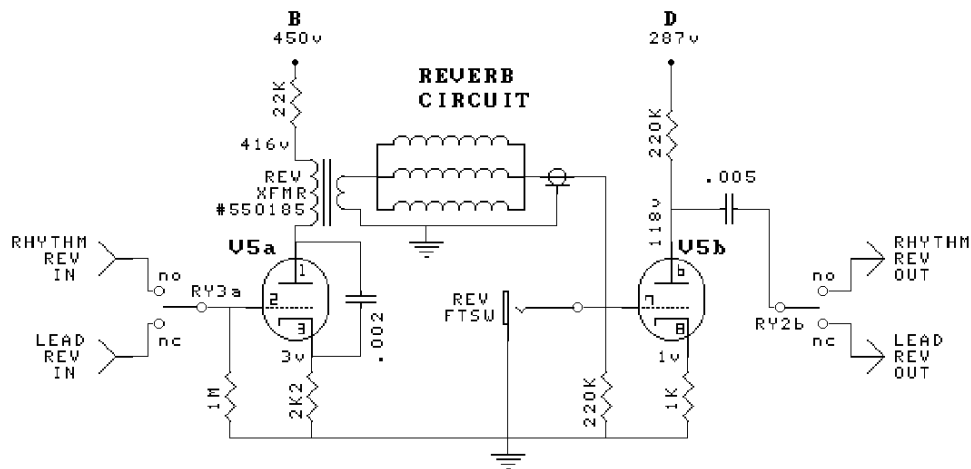
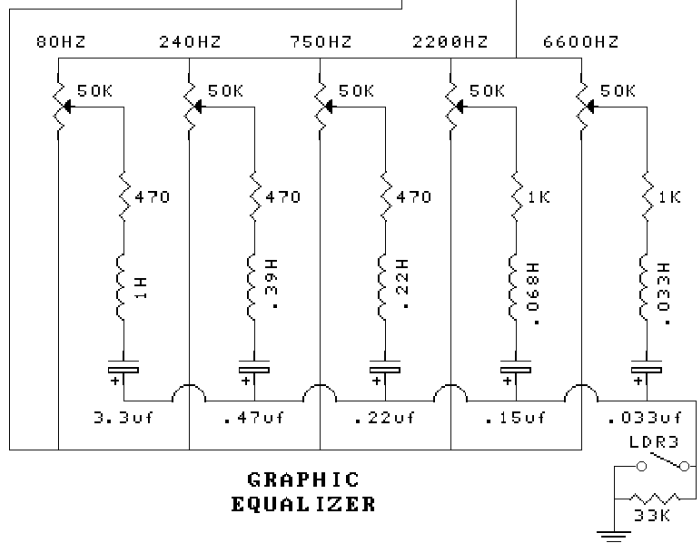
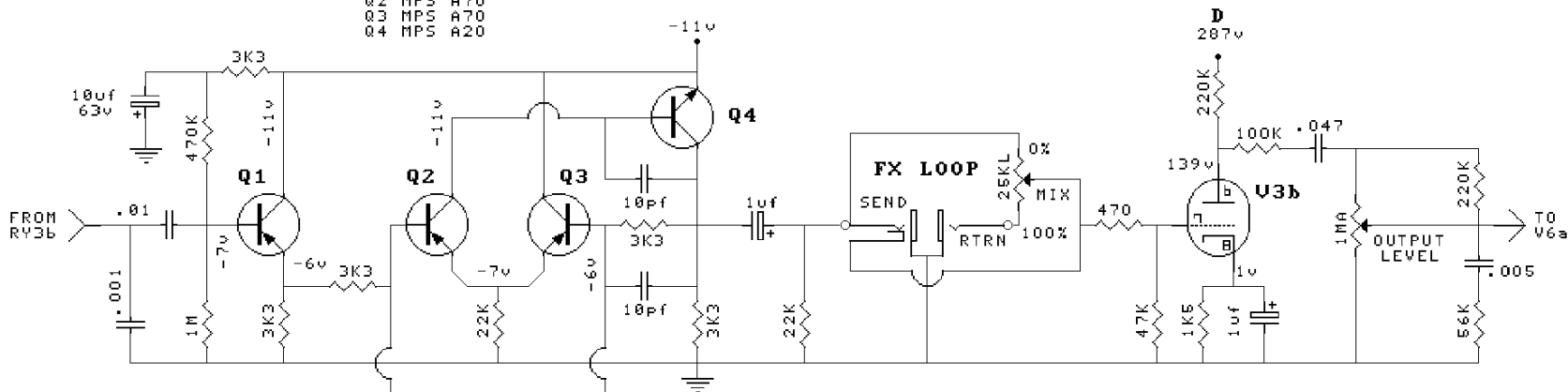


MESA-BOOGIE DCS

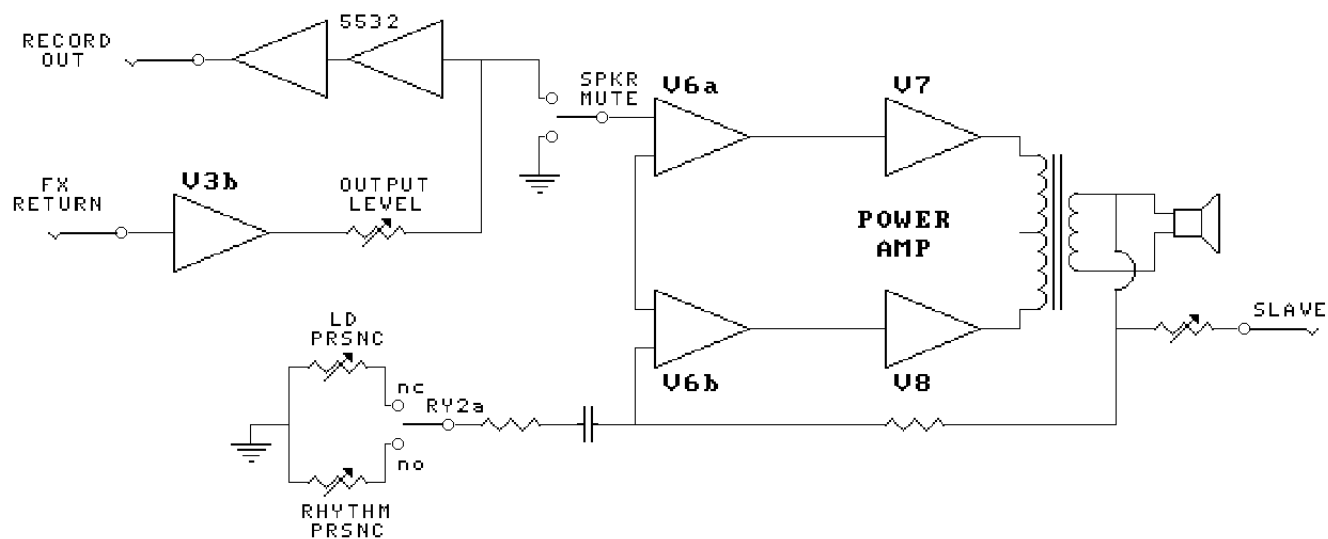
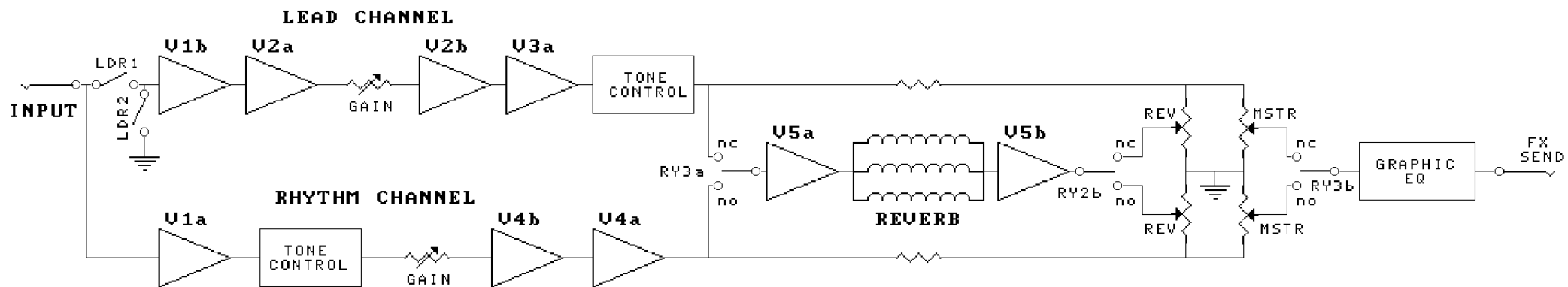
EQ and FX LOOP

FILE DC5EQ.S01

- Q1 MPS A63
- Q2 MPS A70
- Q3 MPS A70
- Q4 MPS A20



MESA-BOOGIE
DC5B
BLOCK DIAGRAM
 FILE DC5BBLOC.S01

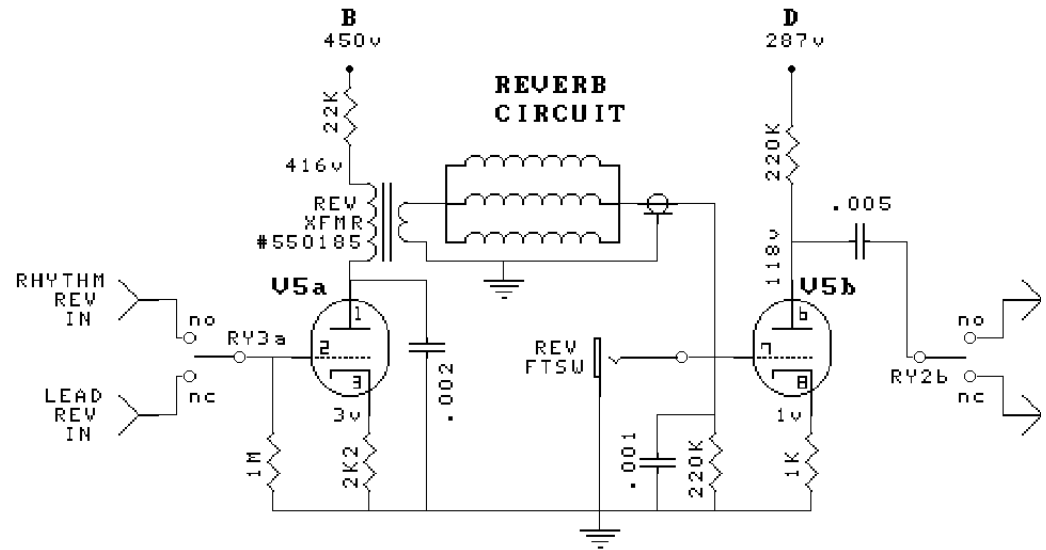
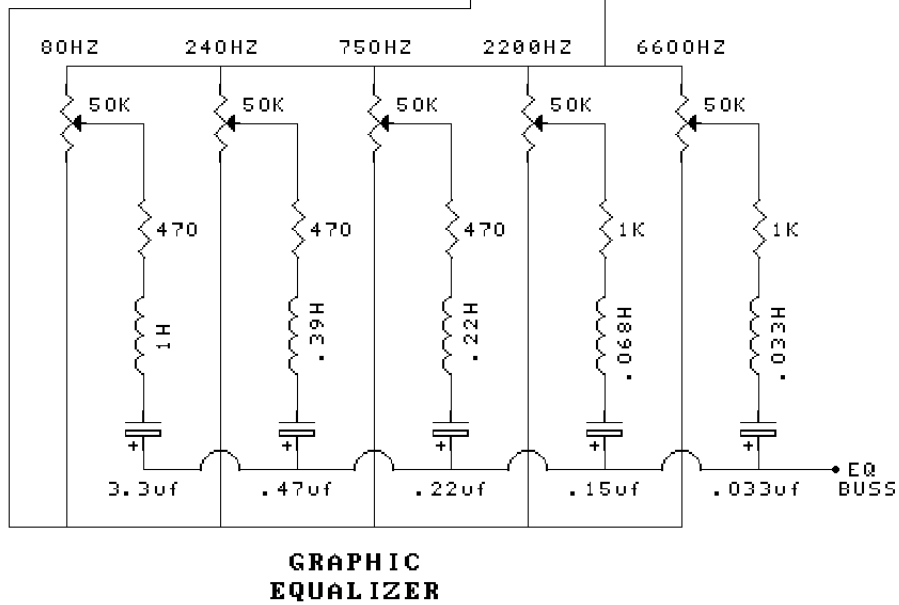
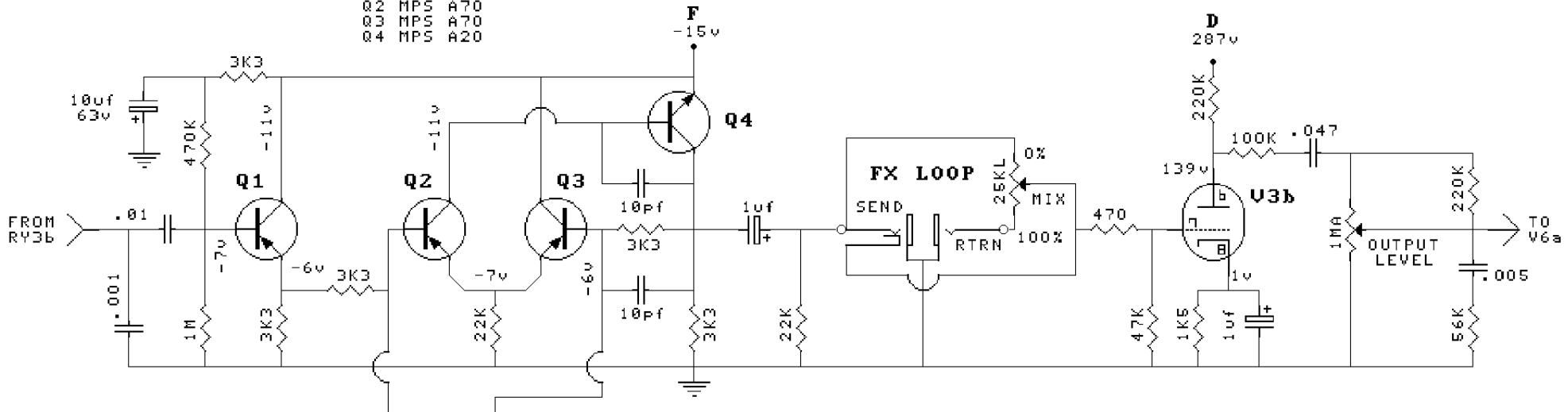


MESA-BOOGIE DC-5B

EQ
FX LOOP
REVERB

FILE DC5BEQ.S01

Q1 MPS A63
Q2 MPS A70
Q3 MPS A70
Q4 MPS A20



MESA-BOOGIE DC-SB

POWER SUPPLIES
FILE DC5BSUPP.501

