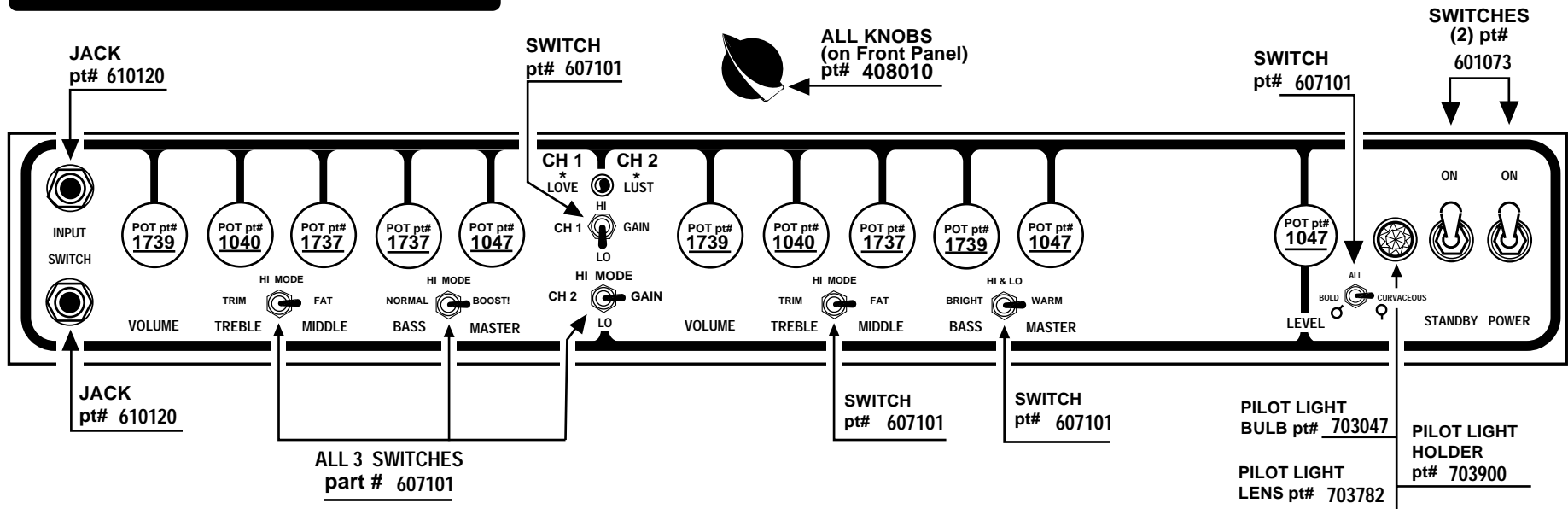
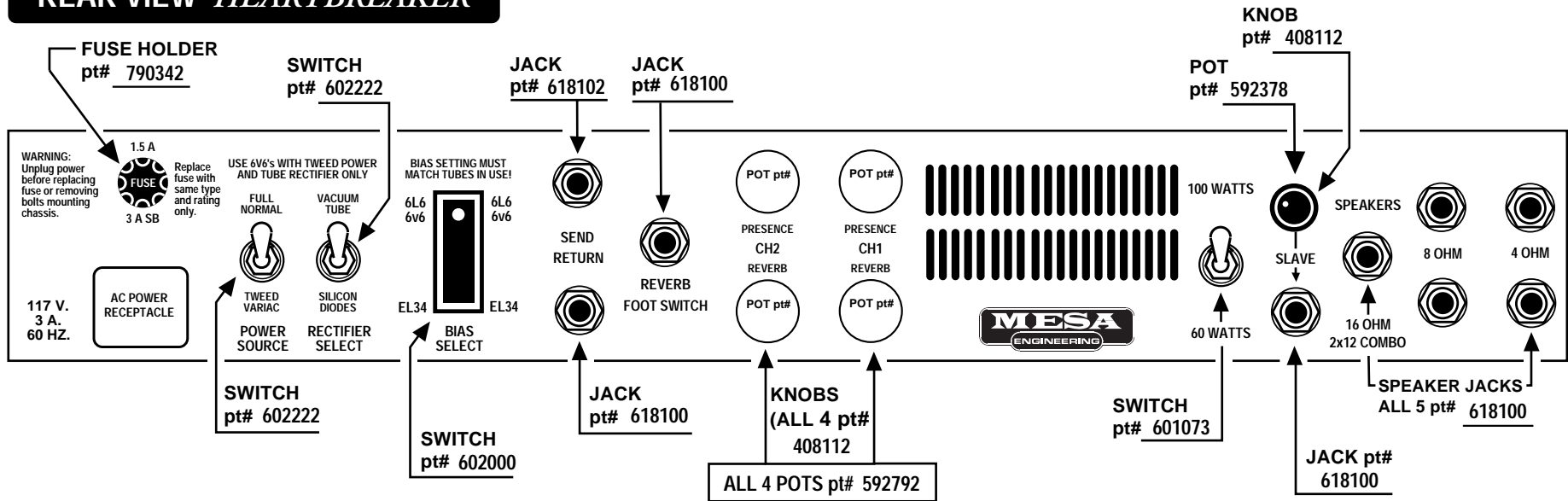
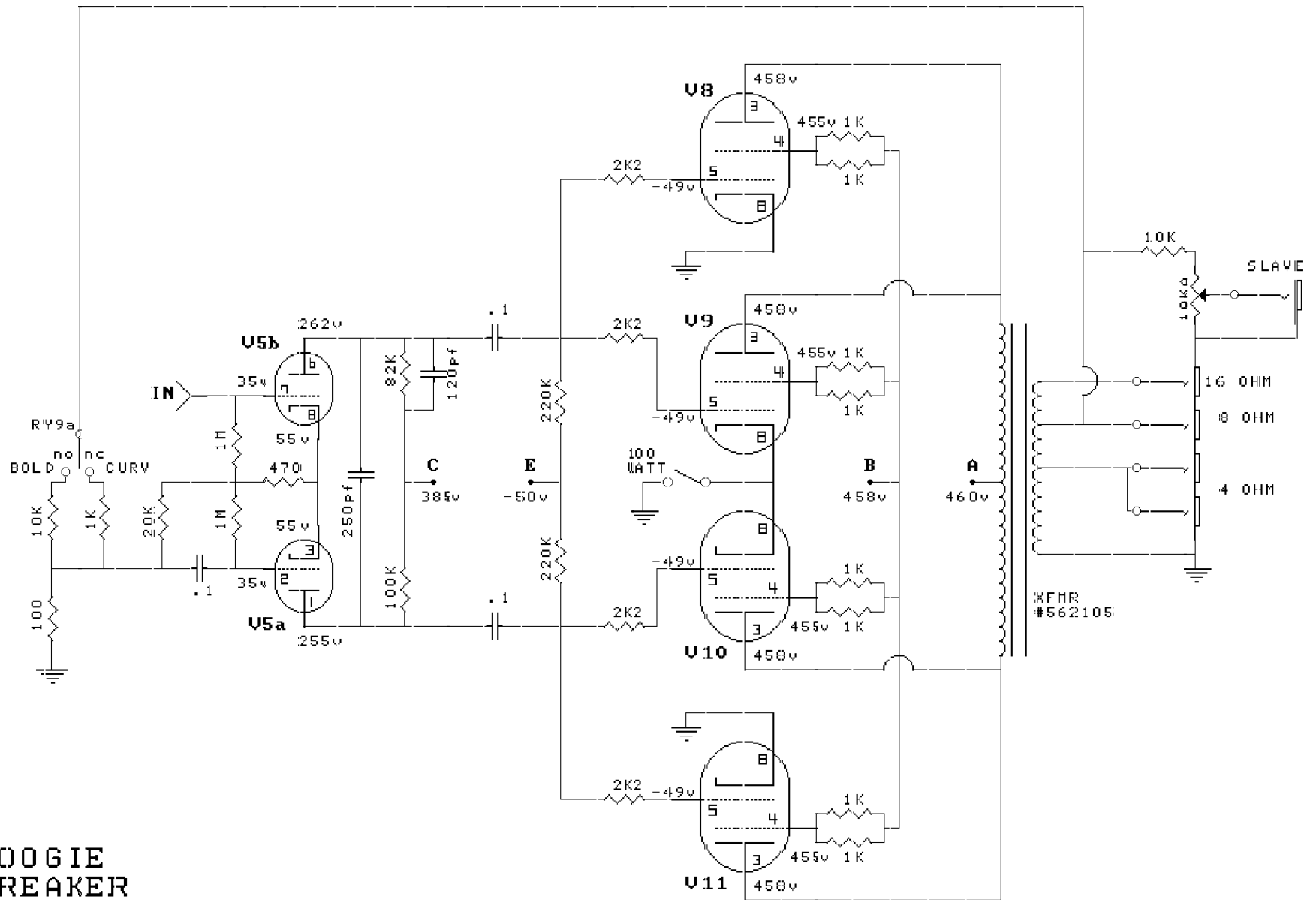


FRONT VIEW HEARTBREAKER



REAR VIEW HEARTBREAKER





**MESA-BOOGIE
HEARTBREAKER**

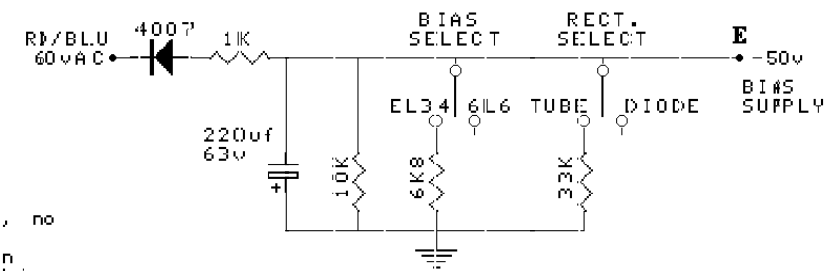
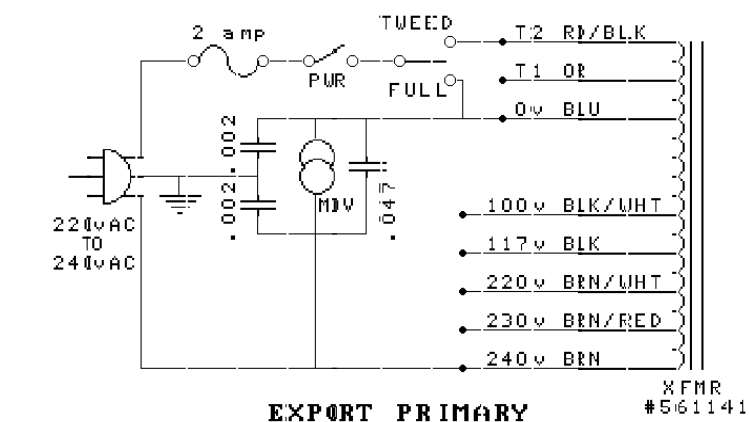
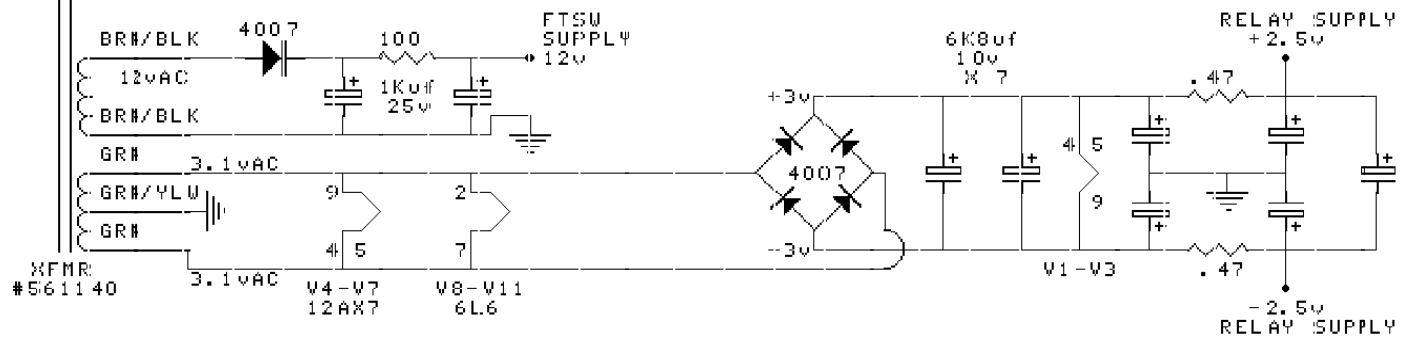
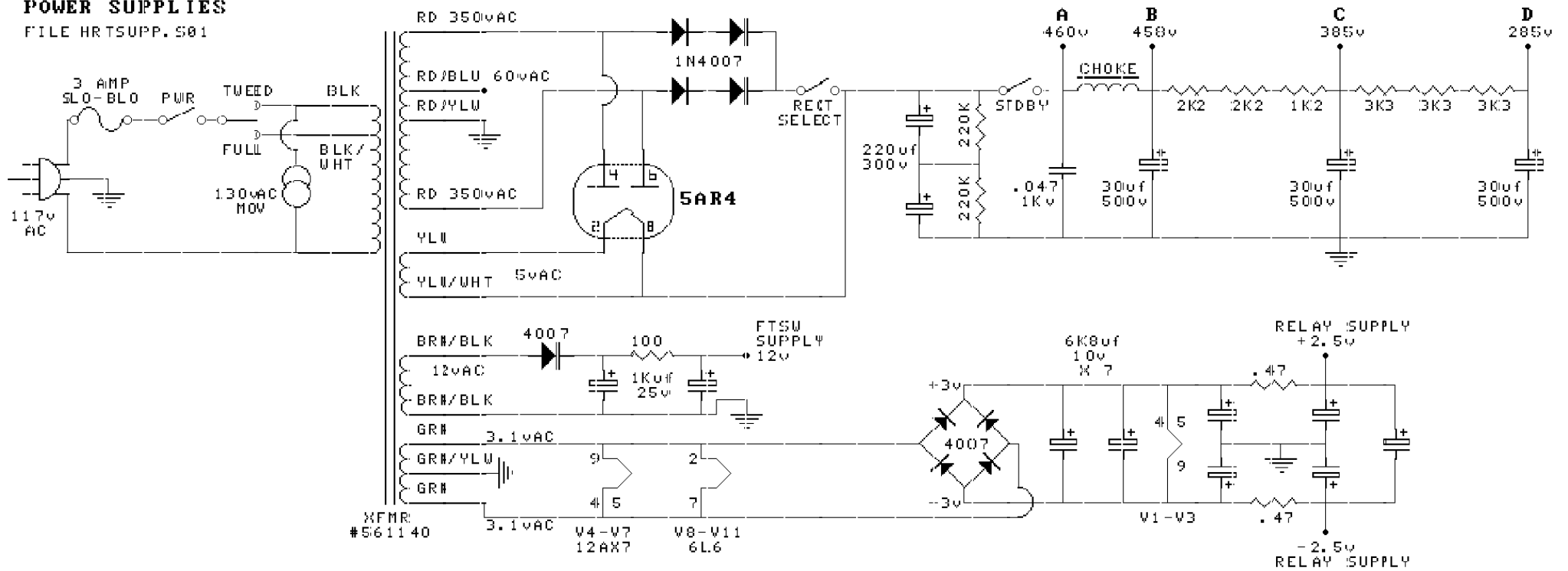
POWER AMP

FILE HRTPOWER.S01

MESA-BOOGIE HEARTBREAKER

POWER SUPPLIES

FILE HRTSUPP.S01



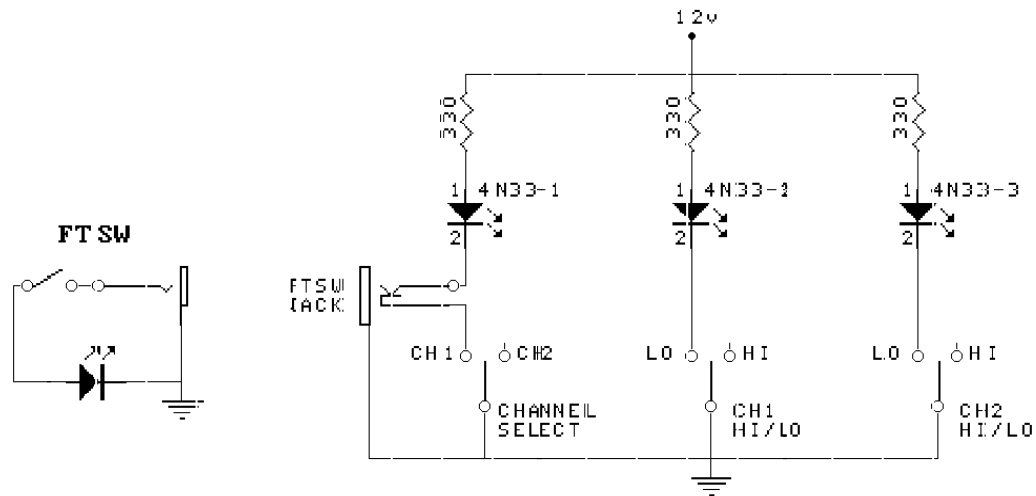
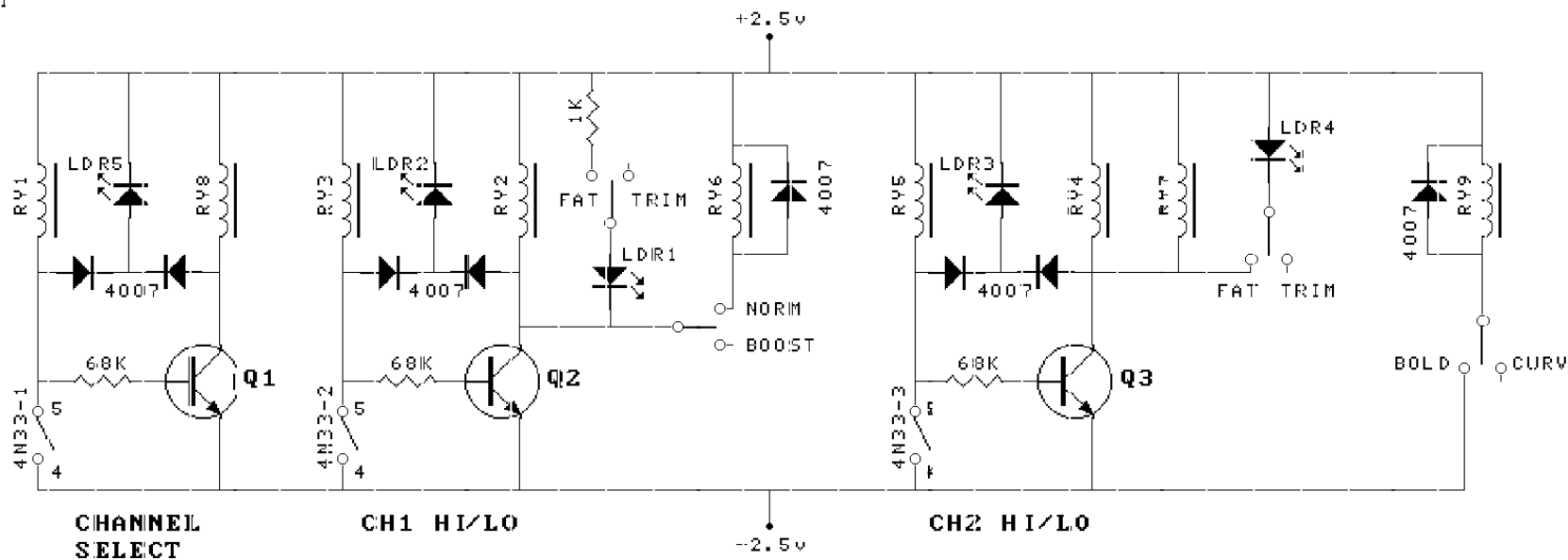
All voltages shown amp on, no signal, full pwr., silicon diodes, 6L6 bias

BIAS VOLTAGES

RECT. SELECT	DIODE	TUBE	DIODE	TUBE
FULL PWR	-50v	-46v	-37v	-35v
TWEED PWR	-42v	-39v	-31v	-29v
BIAS SELECT		6L6		EL34

MESA-BOOGIE HEARTBREAKER

SWITCHING MATRIX
FILE HRTSM..S01



LDR1-5 VTL5C9
LDR1-CH 1 TRBL SHIFT
LDR2-CH 1 HI/LO DEPOP
LDR3-CH 2 HI/LO DEPOP
LDR4-CH 2 TRBL SHIFT
LDR5-CH SWITCH MUTE