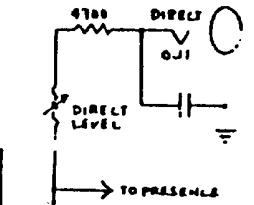
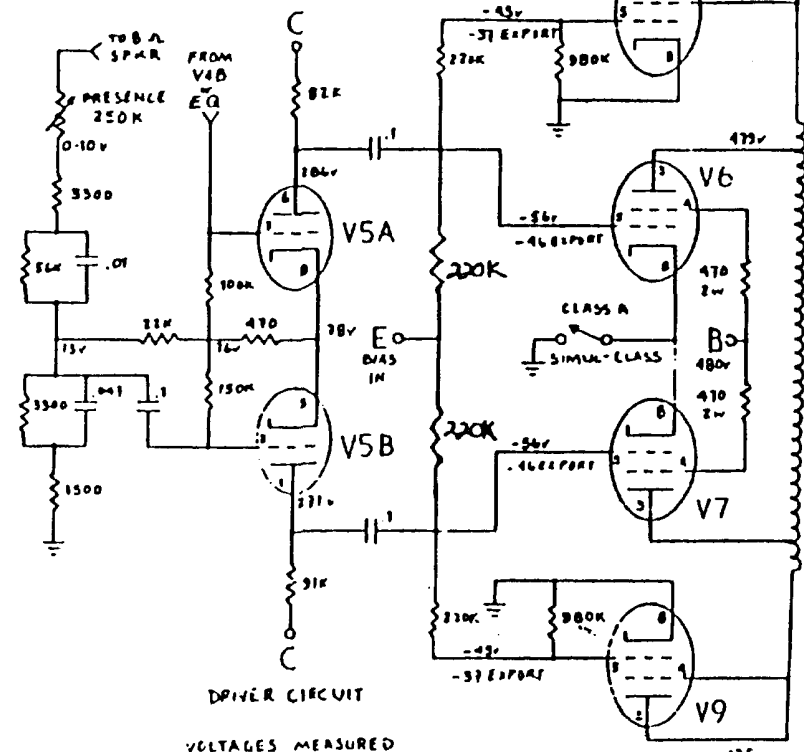
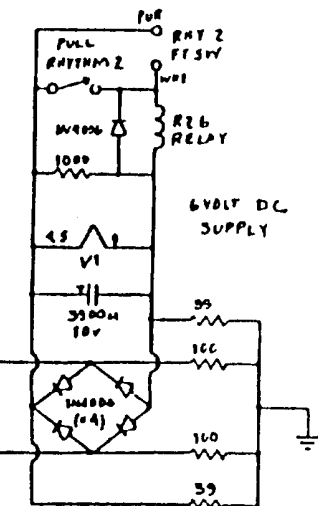


REPORT PRIMARY

WHT = 100V
BLK/BRN = 117V
BLK/GRN = 200V
BLK/WHT = 210V
BLK/RED = 230V
BLU = 240V
BLACK = COMMON

VE-V5 V6-V9  
A.C. HEATER SUPPLY



VOLTAGES MEASURED @ 117 A.C. MAIN  
D.C. VOLTAGES MAY VARY ±20%

SMALL-CLASS  
IS A REGISTERED  
TRADEMARK  
U.S. & WORLDWIDE.

SIMUL-CLASS  
POWER DESIGN  
MAY USE MESA TYPES  
STR 415 6L6 GC  
OR  
STR 416 6CA7/6X4  
IN V8 & V9 SOCKS

PATENTS ISSUED,  
PENDING AND  
APPLIED FOR  
U.S. & WORLDWIDE  
FOR SMALL-CLASS