

MESA/BOOGIE[®]

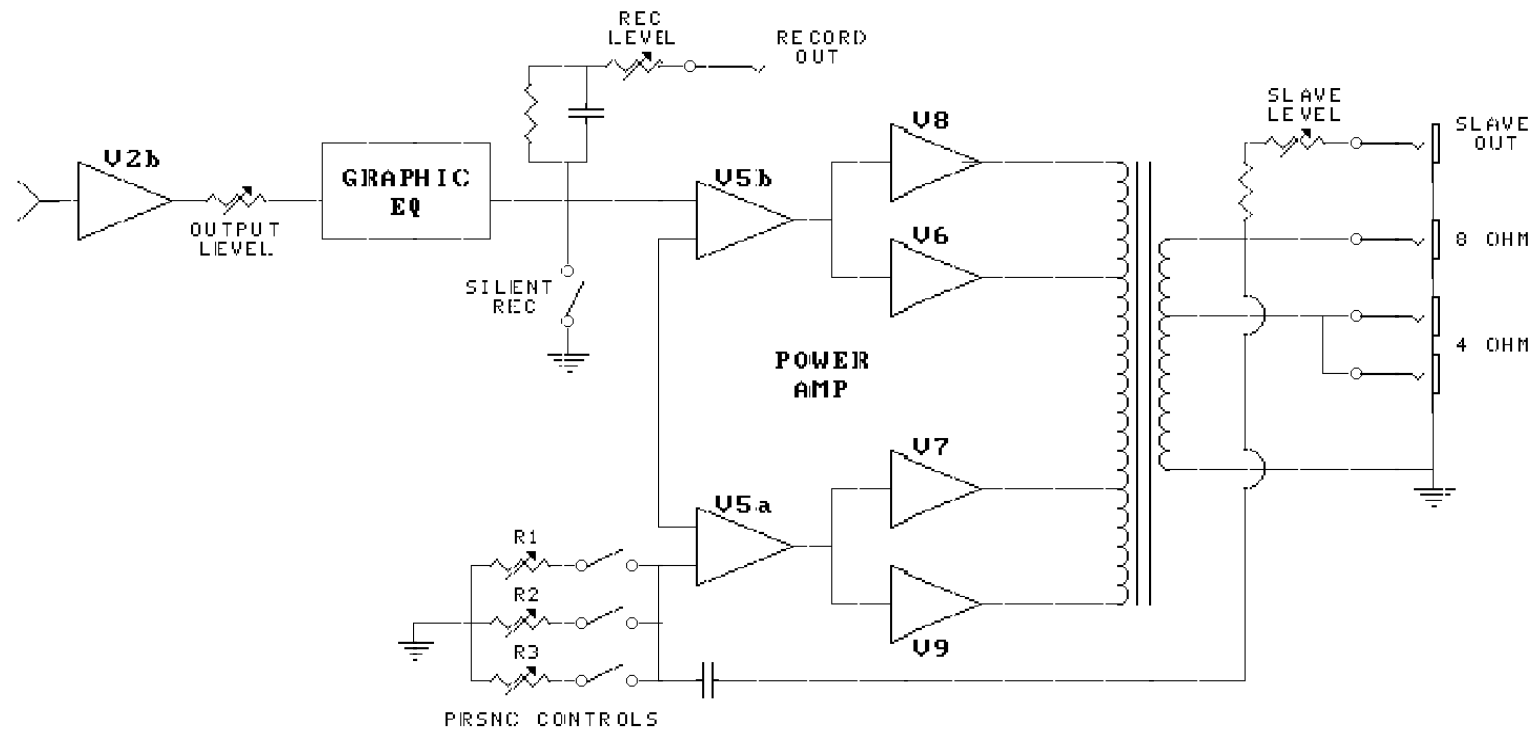
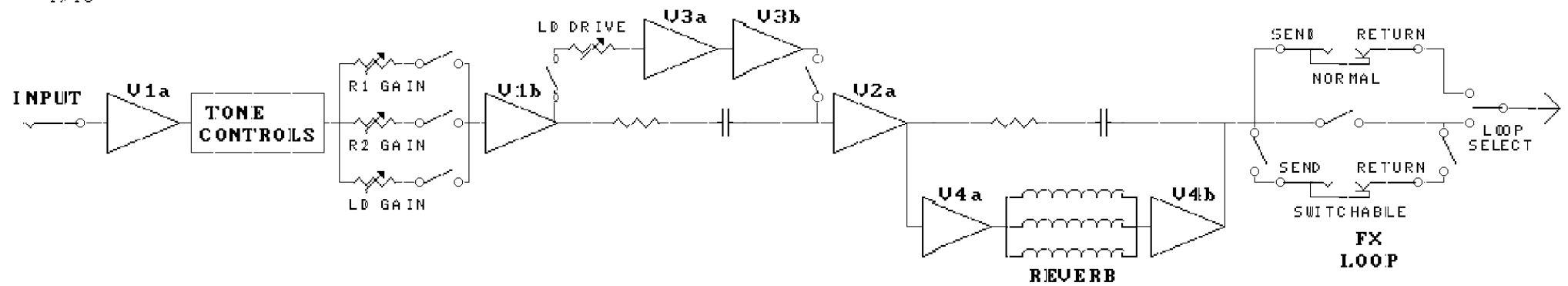
Mark IV

MESA-BOOGIE MARK IV

BLOCK DIAGRAM

FILE MK4BLOCK.S01

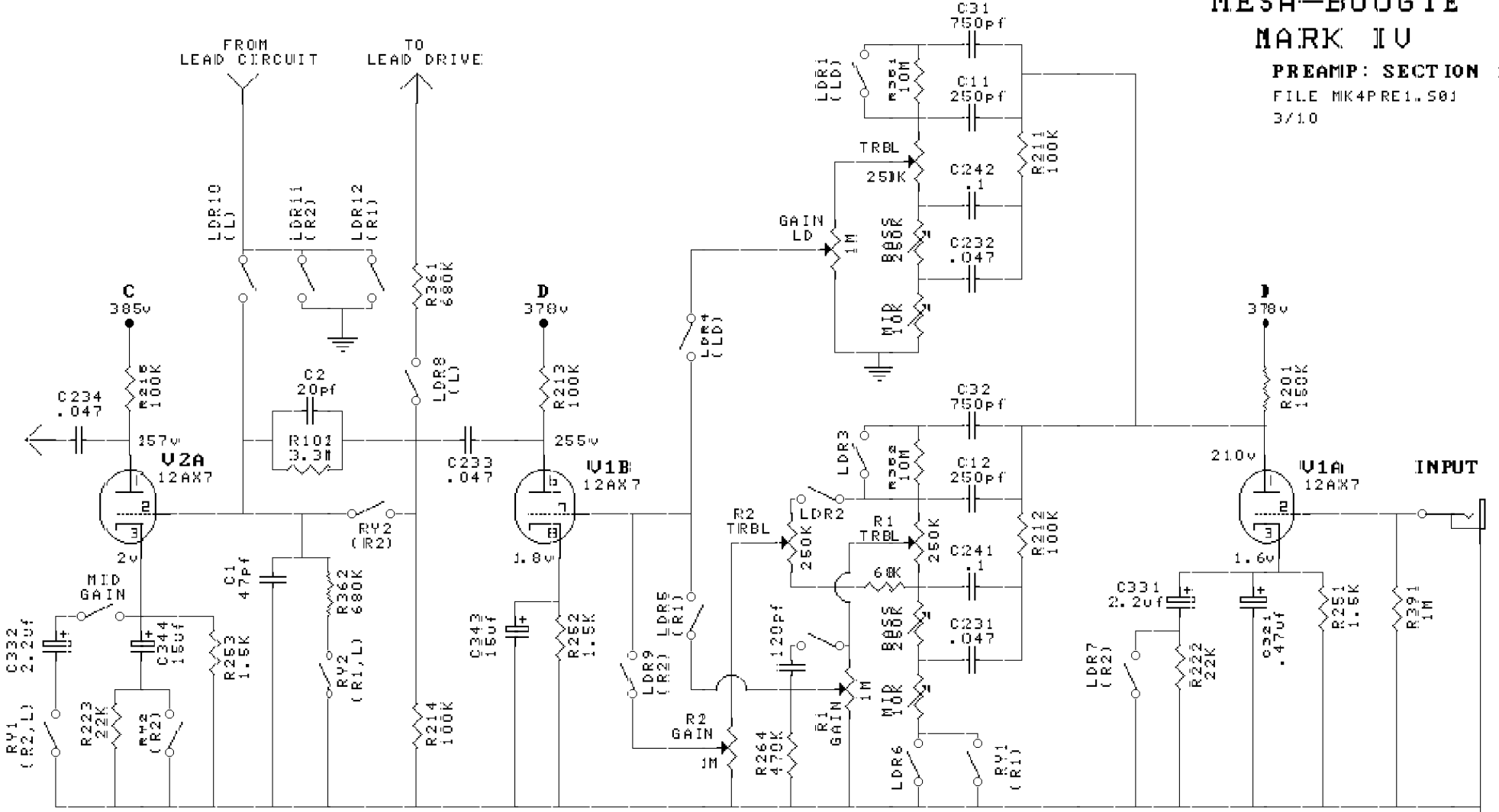
1/10



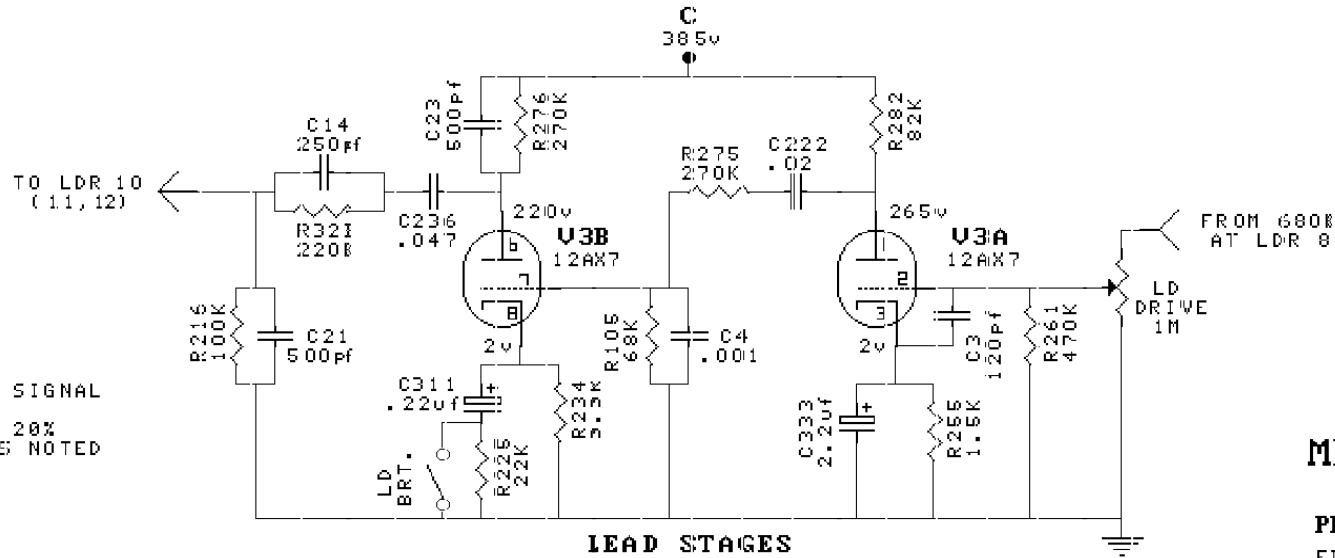
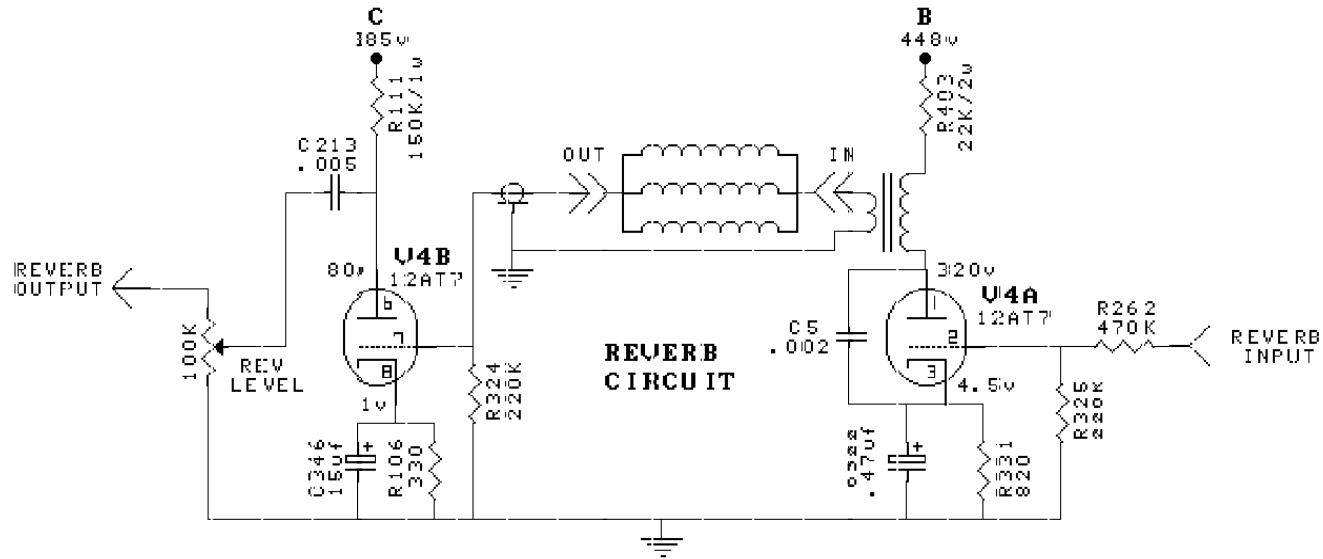
MESA-BOOGIE MARK IV

PREAMP: SECTION 1

FILE MK4PRE1.S0J
3/10

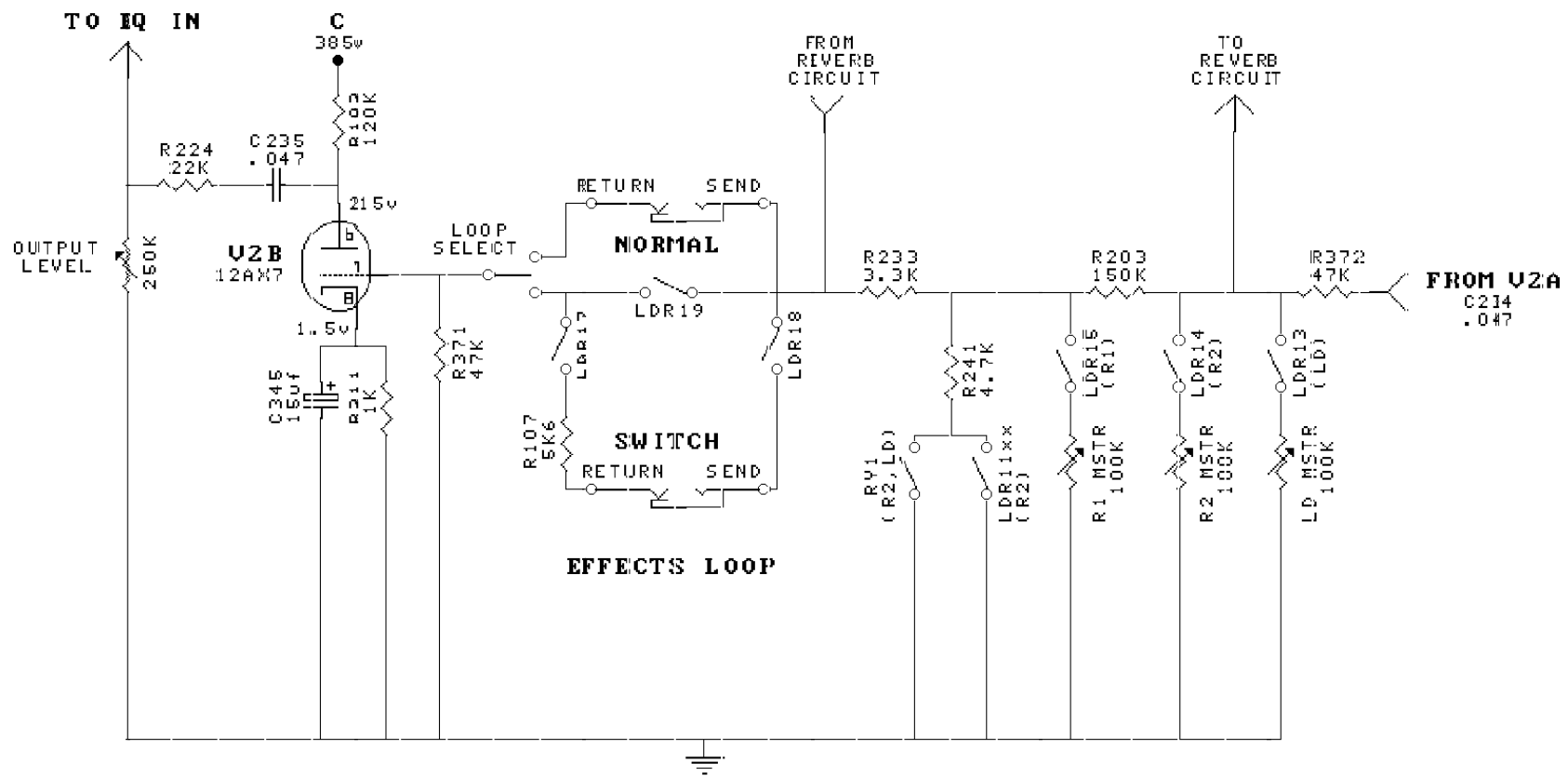


VOLTAGES MEASURED NO SIGNAL
117V AC MAINS
DC VOLTAGES MAY VARY 20%
RESISTORS 1/2W UNLESS NOTED



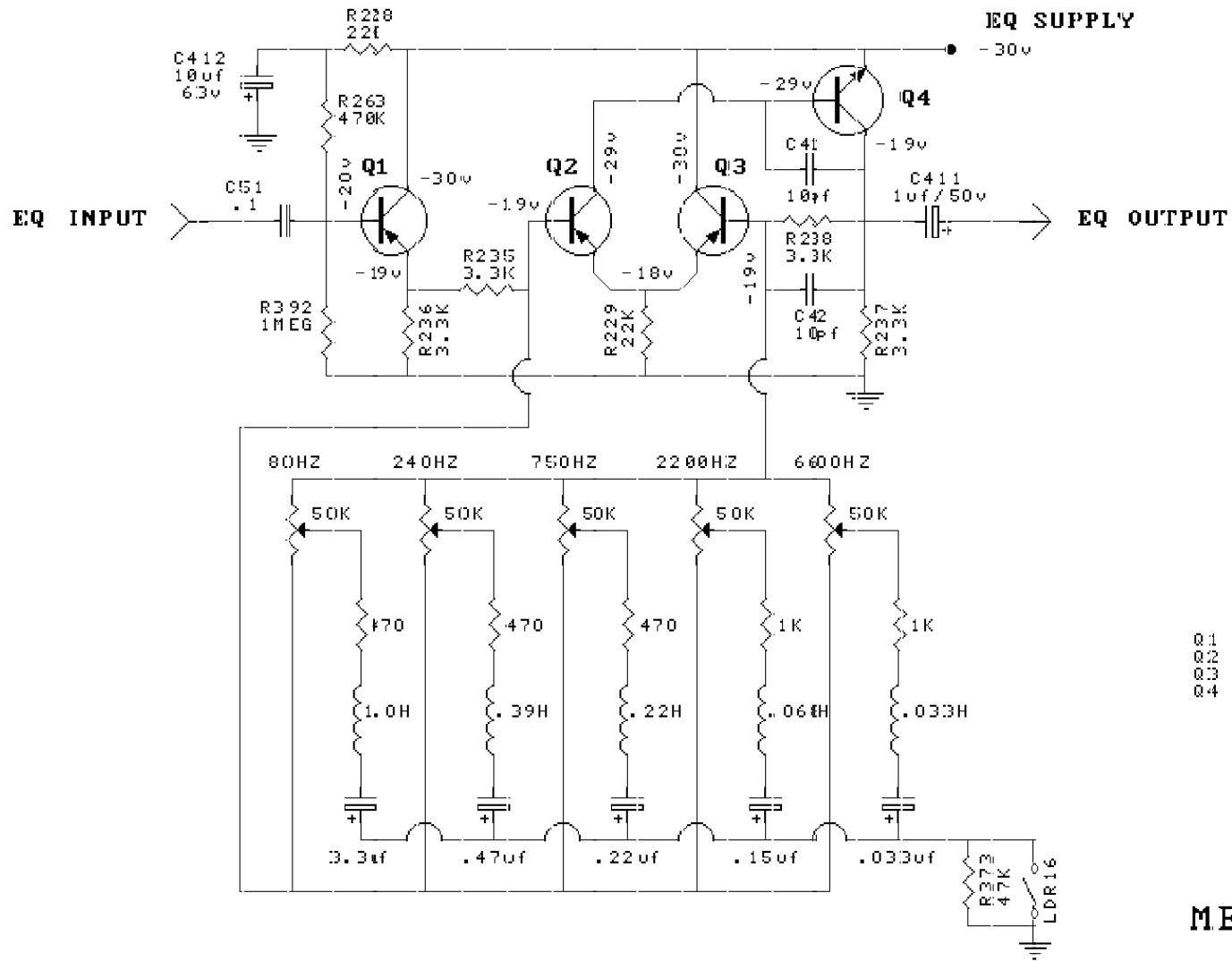
VOLTAGES MEASURED NO SIGNAL
 117V AC MAINS
 DC VOLTAGES MAY VARY 20%
 RESISTORS 1/2W UNLESS NOTED

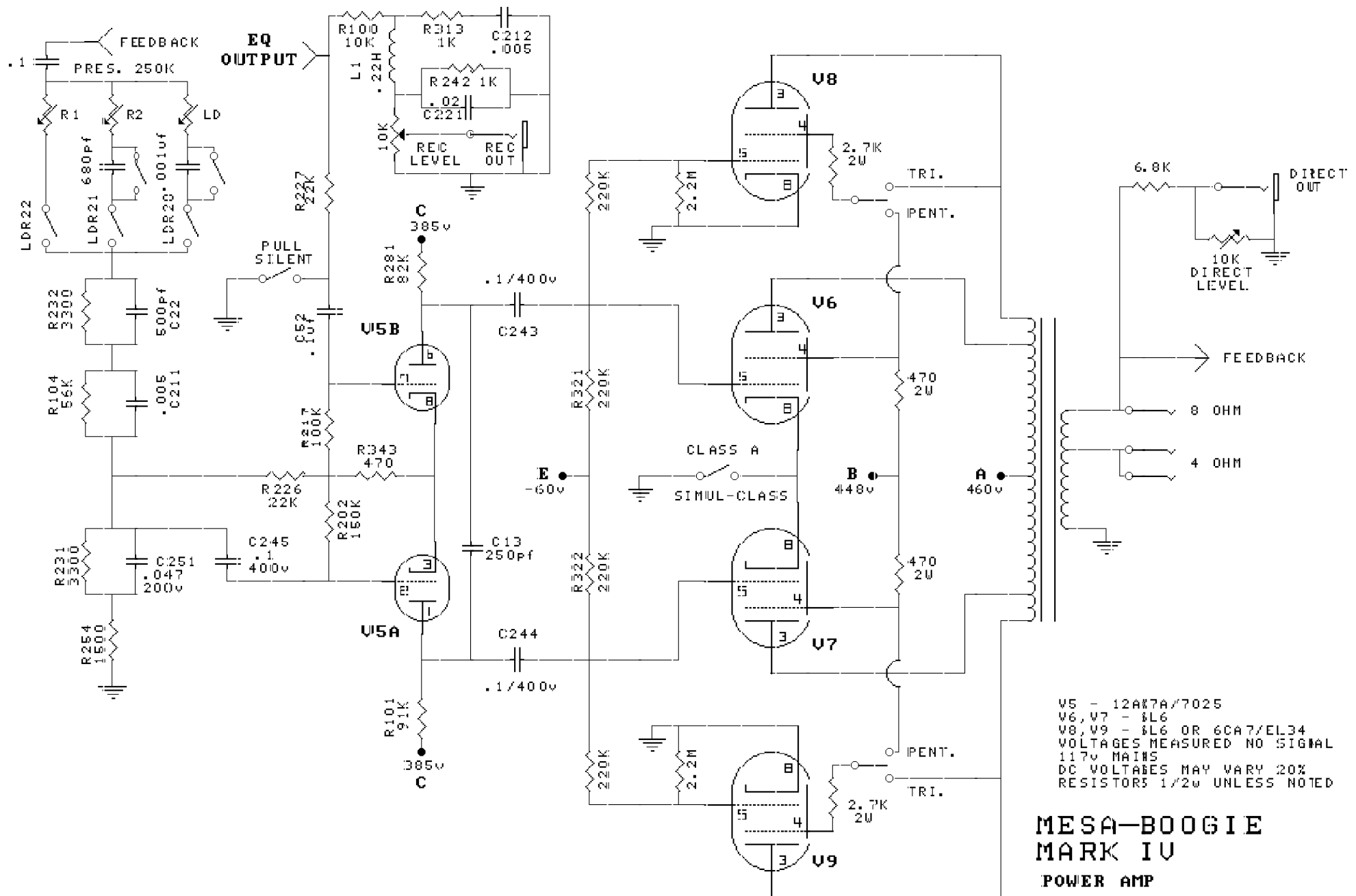
MESA-BOOGIE
MARK IV
PREAMP: SECTION 2
 FILE MK4PRE2.S01
 4/10



VOLTAGES MEASURED NO SIGNAL
 117v AC MAINS
 DC VOLTAGES MAY VARY 20%
 RESISTORS 1/2w UNLESS NOTED

MESA--BOOGIE
MARK IV
PREAMP: SECTION 3
 FILE MK4PRE3.S01
 5/10

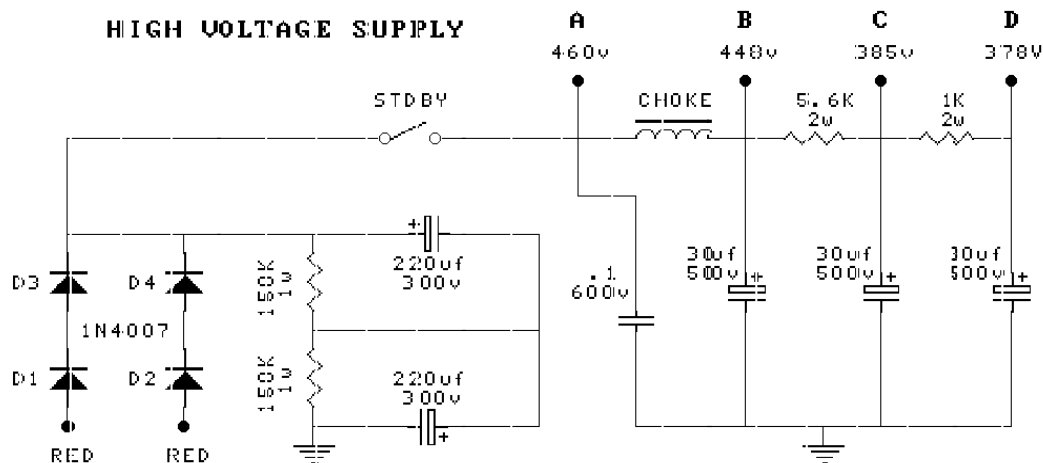




V5 - 12AX7A/7025
V6, V7 - 6L6
V8, V9 - 6L6 OR 6CA7/EL34
VOLTAGES MEASURED NO SIGNAL
117v MAINS
DC VOLTAGES MAY VARY 20%
RESISTORS 1/2w UNLESS NOTED

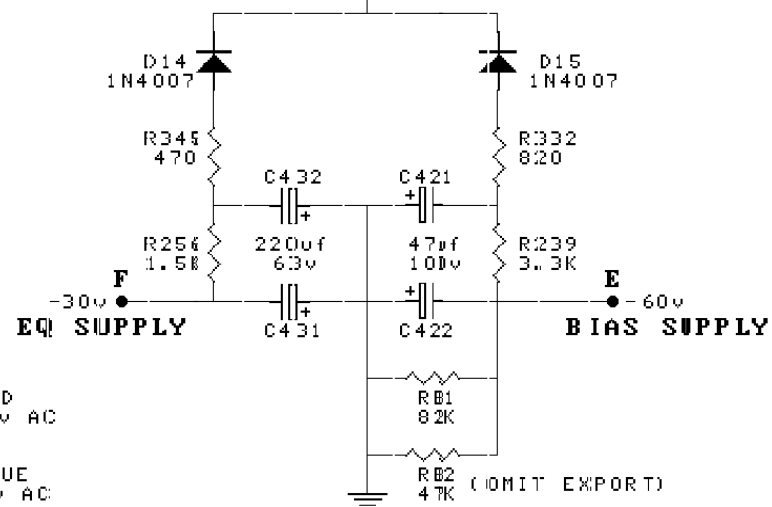
**MESA-BOOGIE
MARK I
POWER AMP**

HIGH VOLTAGE SUPPLY



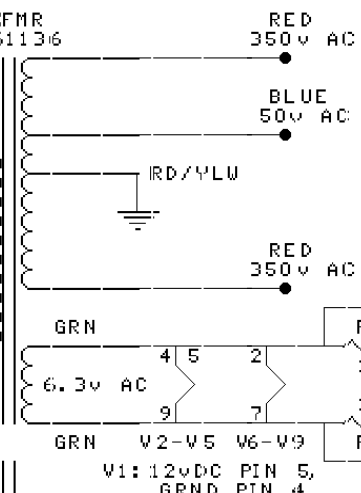
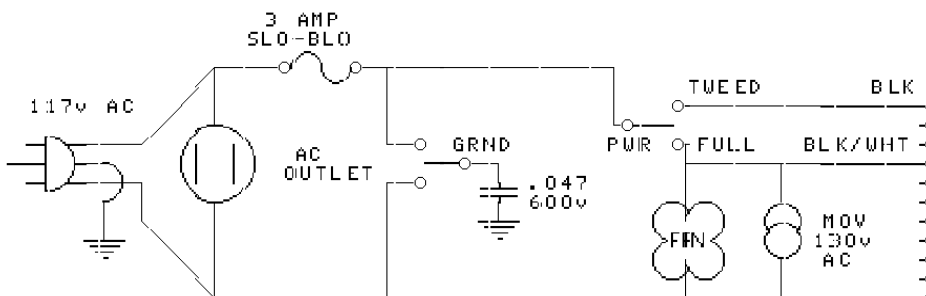
BLUE

50v AC



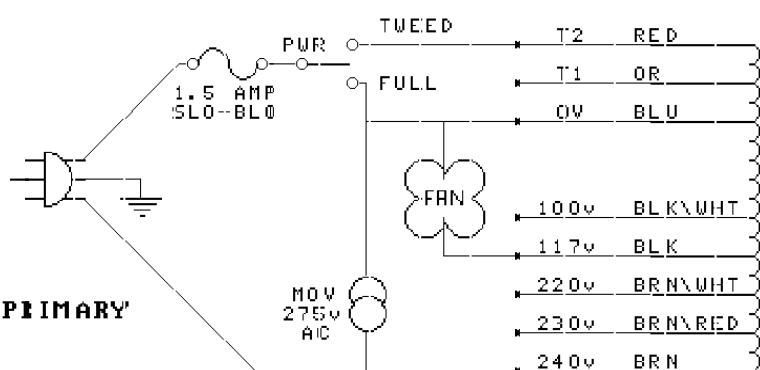
EQ SUPPLY

BIAS SUPPLY



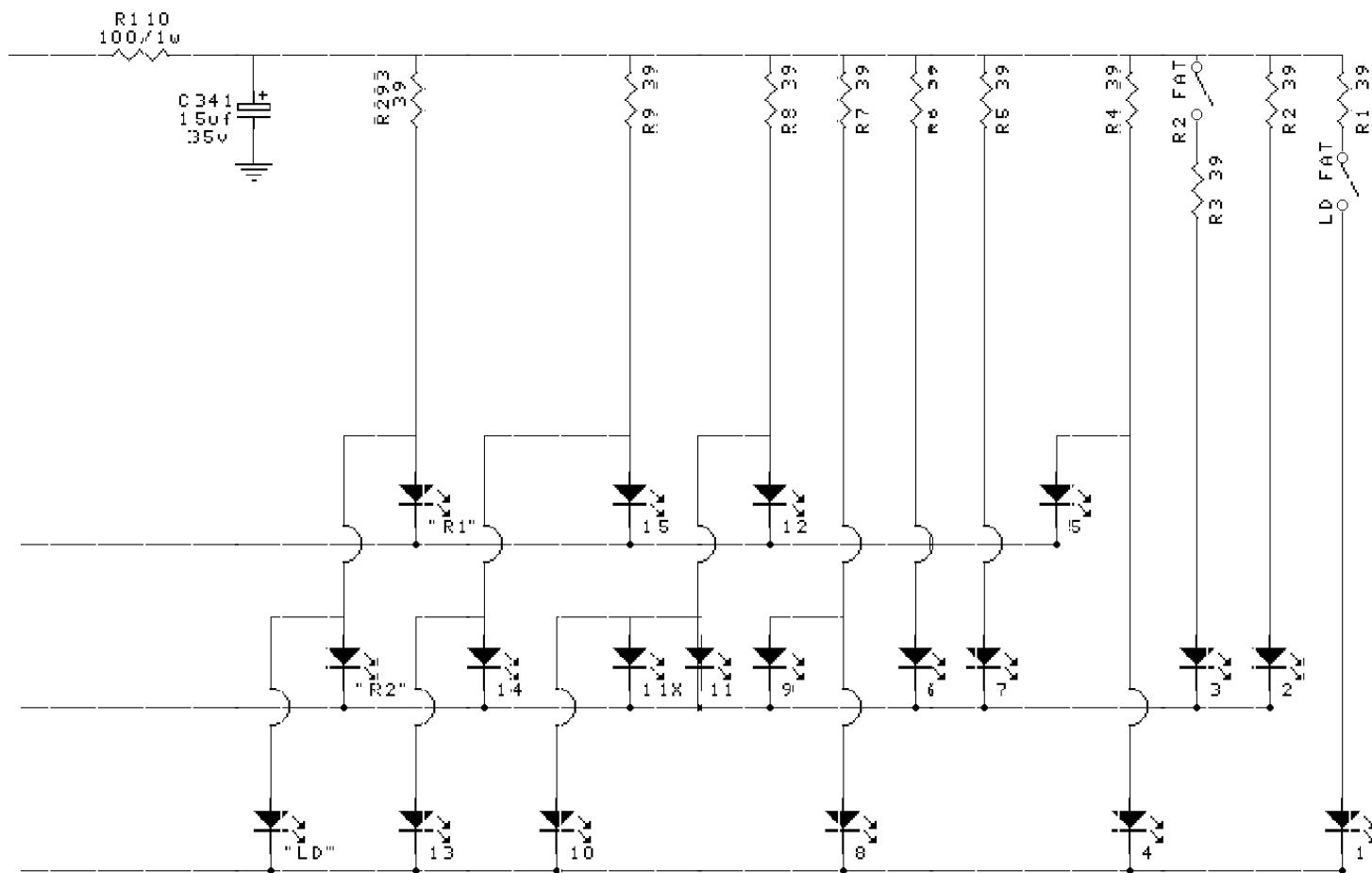
LOW VOLTAGE SUPPLIES

EXPORT PRIMARY



EXPORT XFMR #561137

**MESA-BOOGIE
MARK IV
POWER SUPPLIES**



LDR FUNCTIONS

- LDR 1 LEAD FAT
- LDR 2 R2 TREBLE CONTROL ON
- LDR 3 R2 FAT
- LDR 4 LEAD GAIN ON
- LDR 5 R1 GAIN ON
- LDR 6 R2 TONE CONTROLS GRND.
- LDR 7 R2 LOW BOOST ON #1A
- LDR 8 LEAD DRIVE ON
- LDR 9 R2 GAIN ON
- LDR 10 LEAD OUTPUT ON
- LDR 11 LEAD OUTPUT SHUNT R2
- LDR 11x R2 FX SHUNT (4.7K)
- LDR 12 LEAD OUTPUT SHUNT R1
- LDR 13 LEAD MASTER ON
- LDR 14 R2 MASTER ON
- LDR 15 R1 MASTER ON
- LDR 16 GRAPHIC EQ ON
- LDR 17 FX RETURN ON
- LDR 18 FX SEND ON
- LDR 19 FX BYPASS ON
- LDR 20 LD PRESENCE
- LDR 21 R2 PRESENCE
- LDR 22 R1 PRESENCE

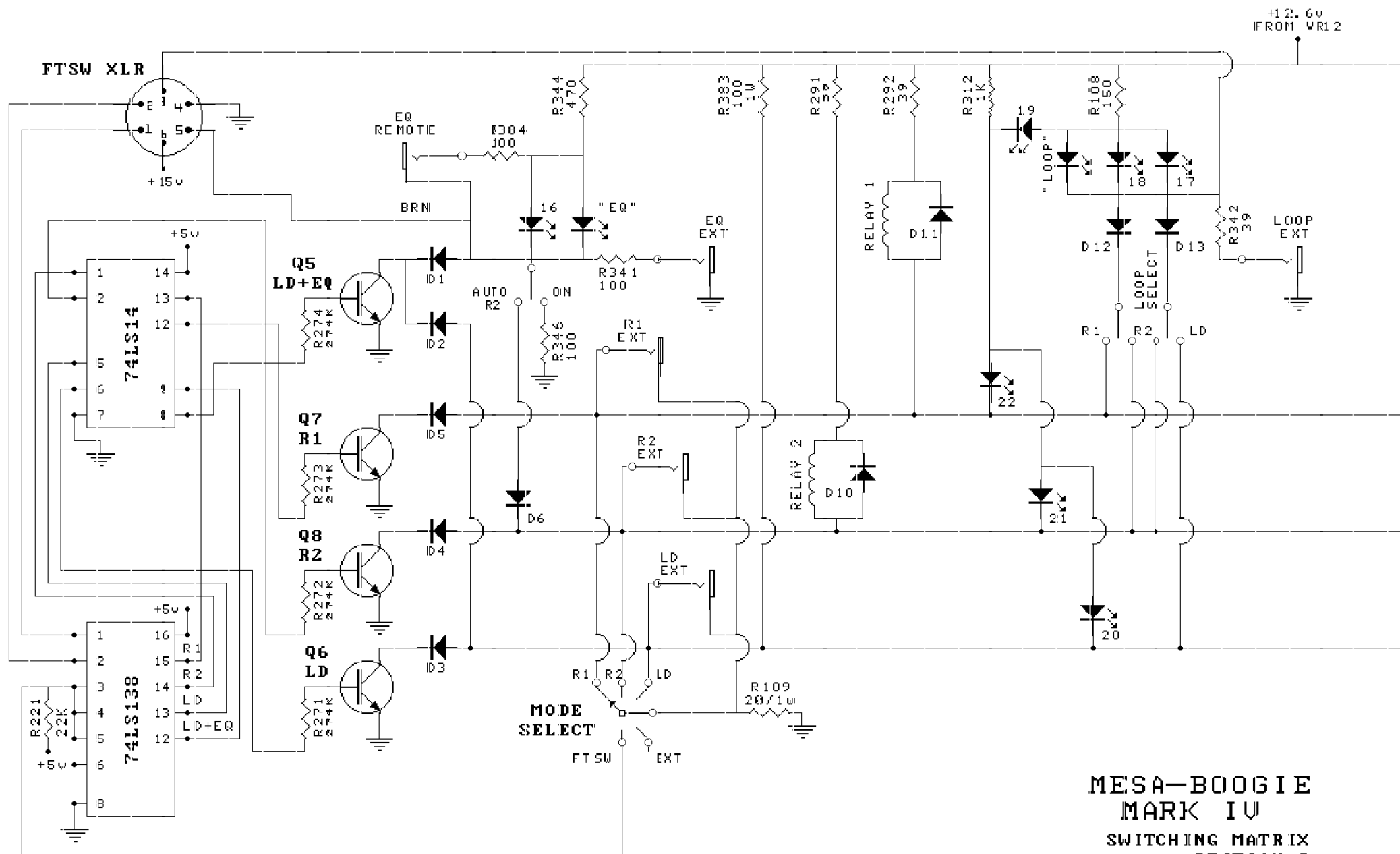
WIRE COLOR CODES (FOR SWITCHES AND CONTROLS)

- R1 = YELLOW
- R2 = ORANGE
- LD = RED

MESA-BOOGIE MARK IV

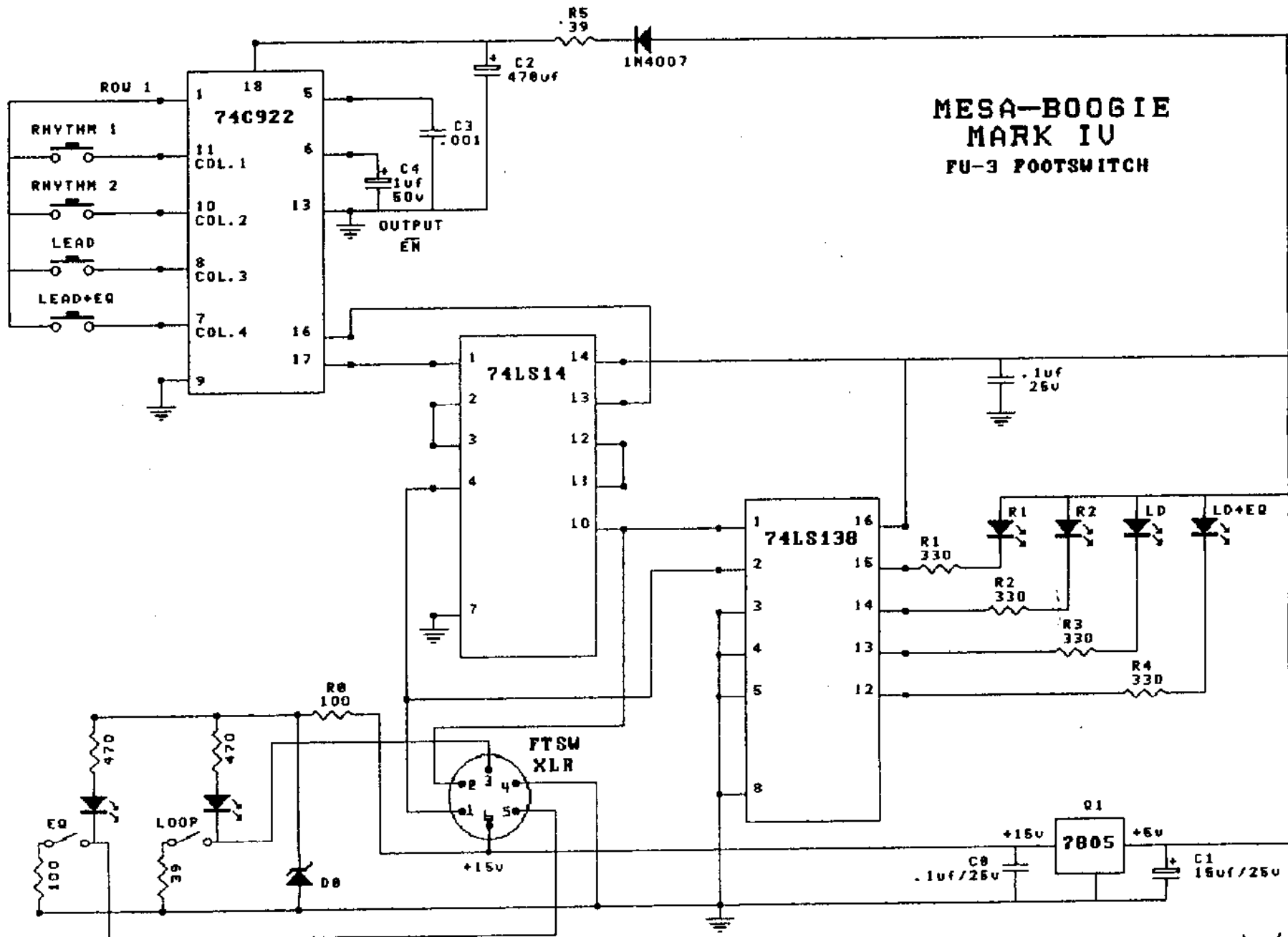
SWITCHING MATRIX SECTION 1

FILE MK4SU1.S01
9/10



**MESA-BOOGIE
MARK IV
SWITCHING MATRIX
SECTION 2**

FILE MK4SU2.S01
8/10



10/10