

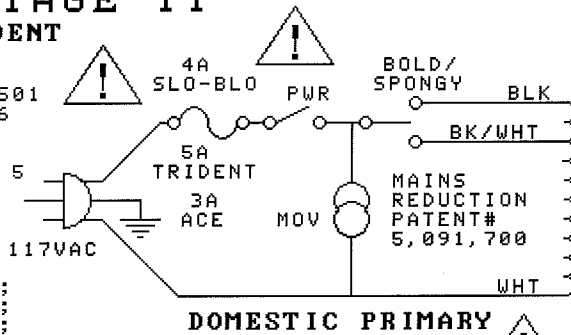
MESA/BOOGIE

STILETTO STAGE II

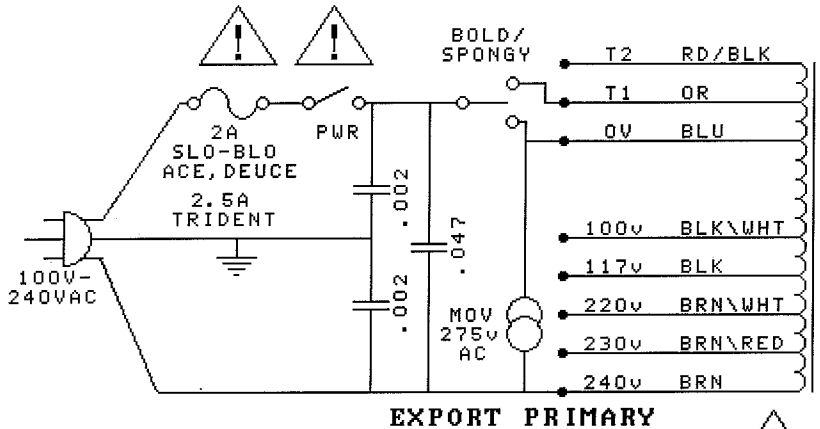
ACE, DEUCE, TRIDENT
POWER SUPPLY

FILE: SSIISUP.S01
 DATE: 2/22/2006
 DRAWN BY: JOHN M
 PAGE: 1 OF 7
 BOARD REV: STILETTO 5

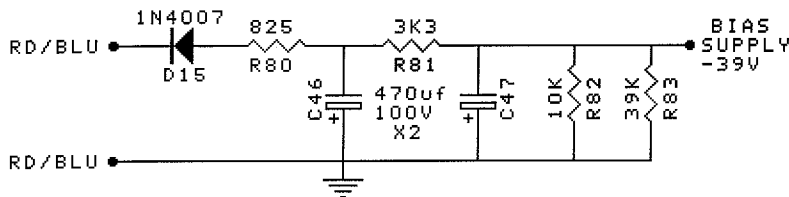
COVERED UNDER ONE
 OR MORE OF THE
 FOLLOWING PATENTS:
 4,211,893; 4,532,476;
 4,593,251; 4,701,957;
 4,713,624; 5,091,700;
 5,168,438; 5,208,548;
 5,559,469; 6,522,752;
 6,621,907; 6,724,897
 AND OTHERS PENDING



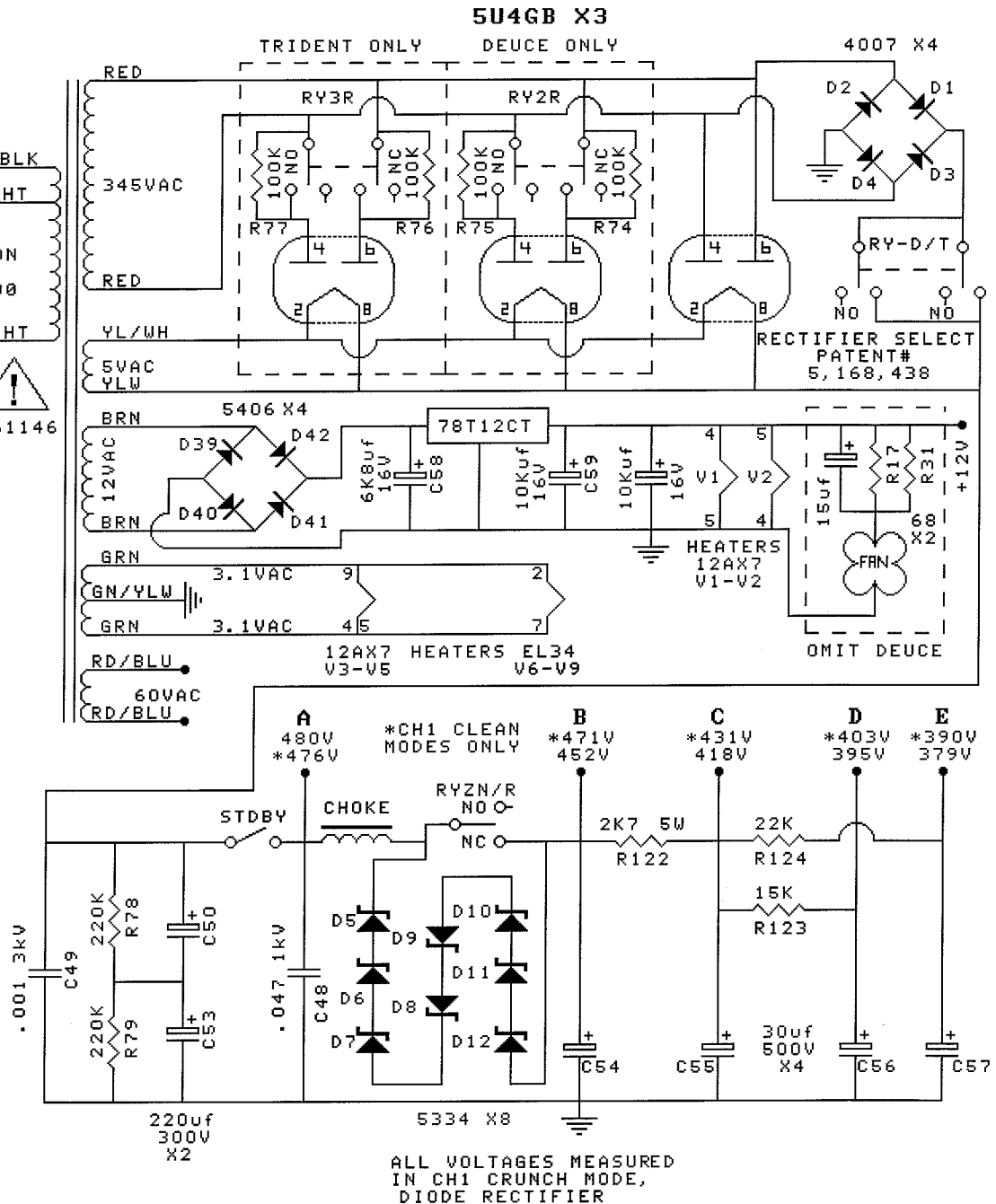
#561146



#561147



STAGE II BEGIN SERIAL# 2425



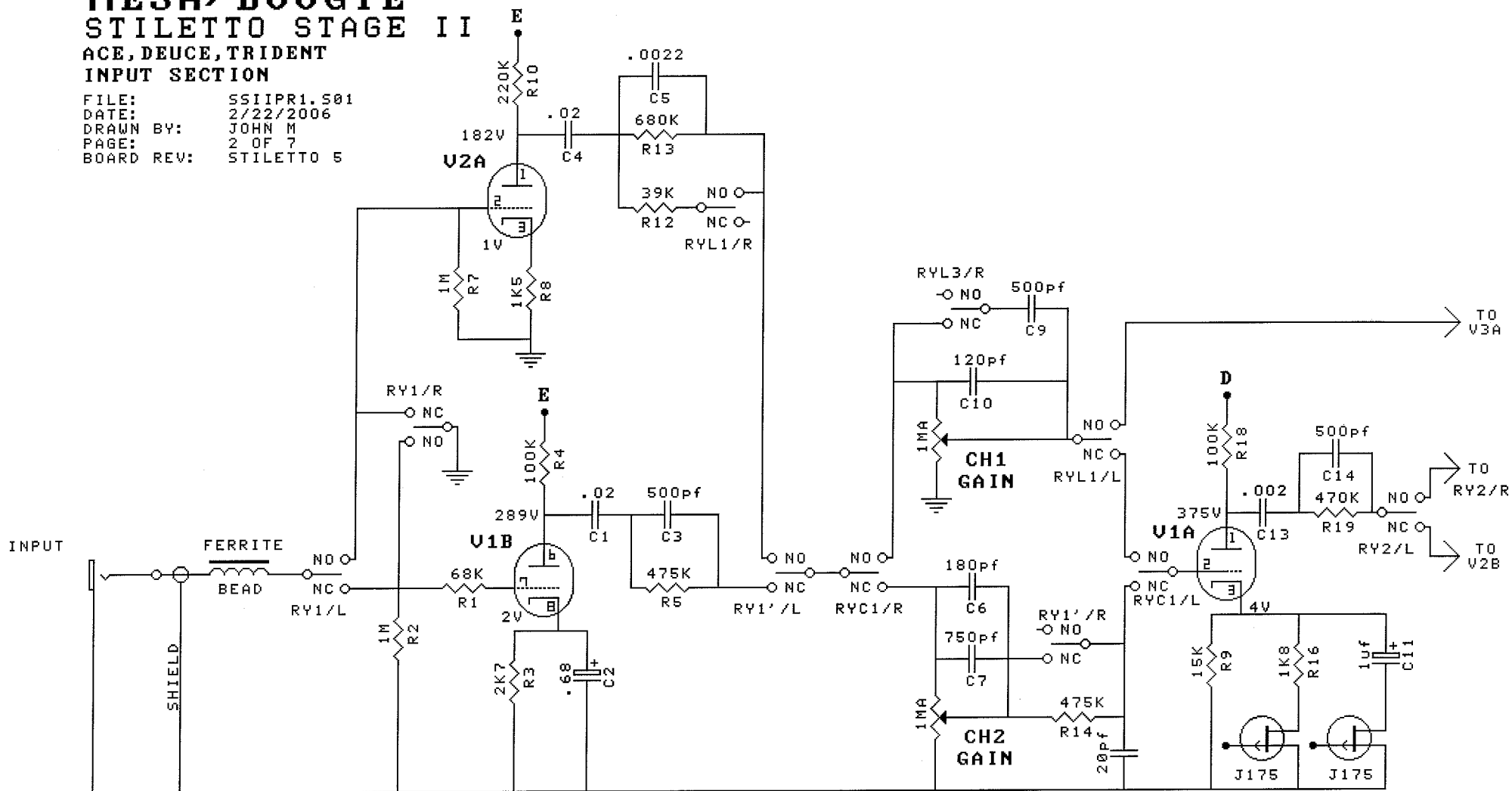
MESA/BOOGIE

STILETTO STAGE II

ACE, DEUCE, TRIDENT

INPUT SECTION

FILE: SS11PR1.501
 DATE: 2/22/2006
 DRAWN BY: JOHN M
 PAGE: 2 OF 7
 BOARD REV: STILETTO 5



ALL VOLTAGES MEASURED
 IN CH1 CRUNCH MODE

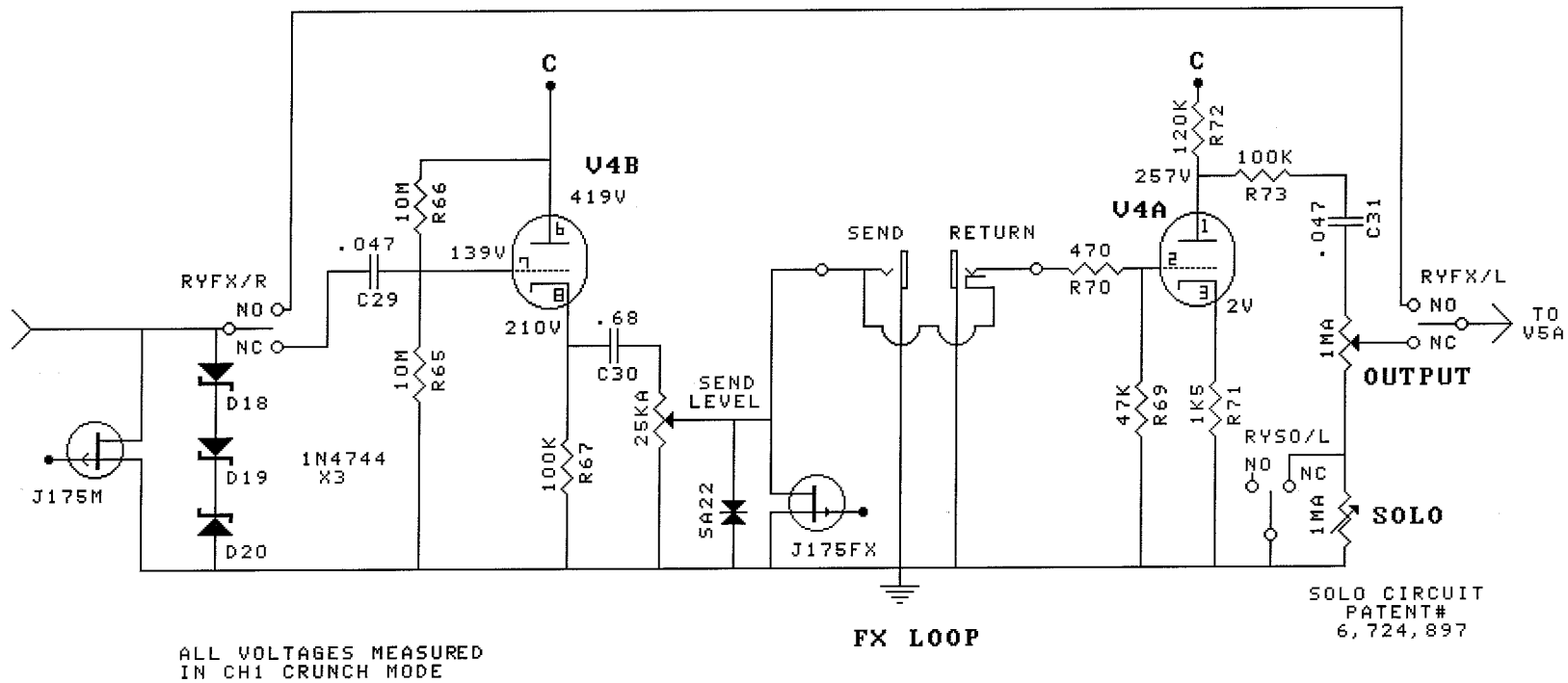
MESA/BOOGIE

STILETTO STAGE II

ACE, DEUCE, TRIDENT

EFFECTS LOOP

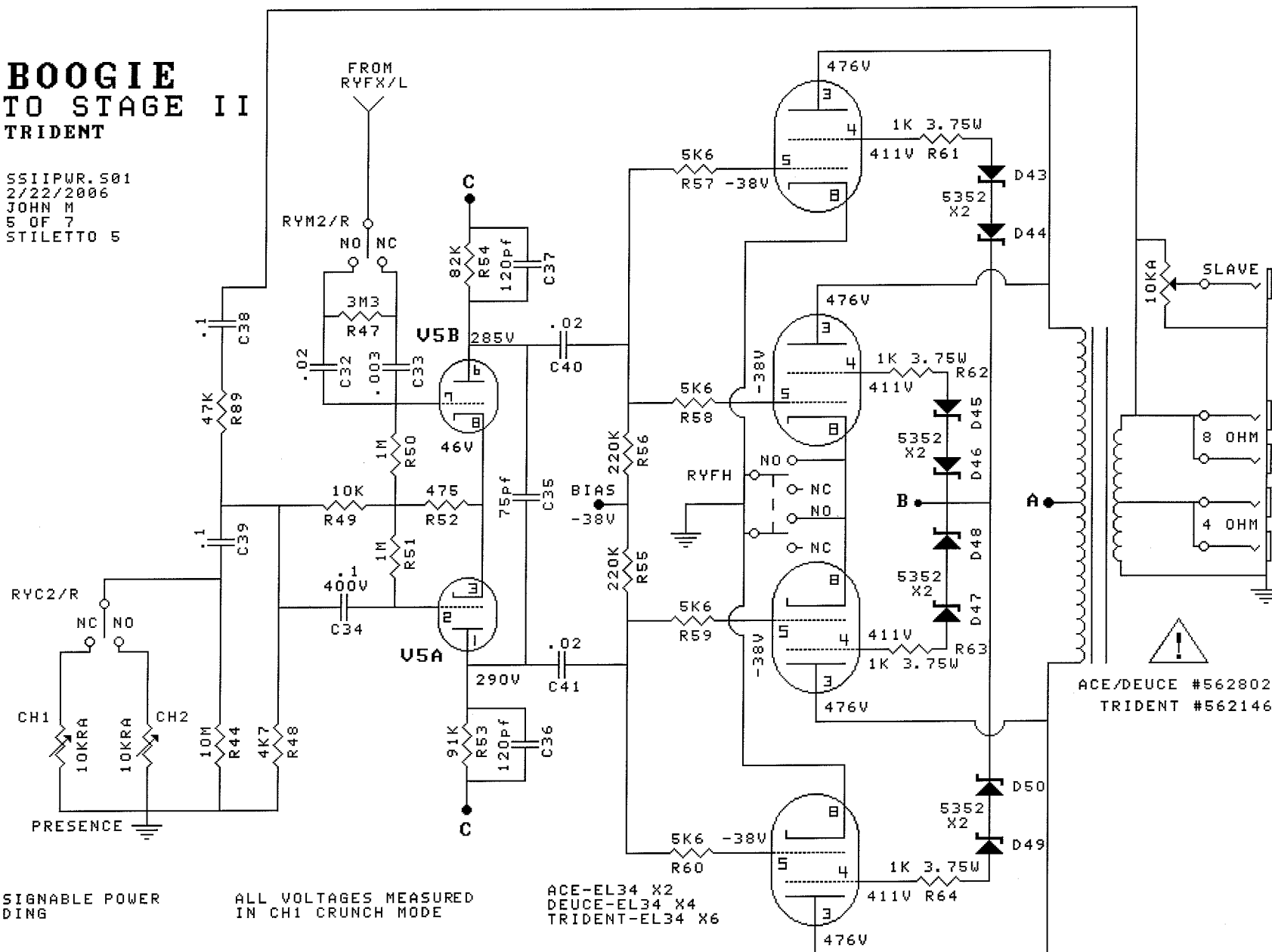
FILE: SSILP.S01
 DATE: 2/22/2006
 DRAWN BY: JOHN M
 PAGE: 4 OF 7
 BOARD REV: STILETTO 5



MESA/BOOGIE STILETTO STAGE II

ACE, DEUCE, TRIDENT
POWER AMP

FILE: SSIIPWR.501
 DATE: 2/22/2006
 DRAWN BY: JOHN M
 PAGE: 5 OF 7
 BOARD REV: STILETTO 5



CHANNEL ASSIGNABLE POWER
 PATENT PENDING

ALL VOLTAGES MEASURED
 IN CH1 CRUNCH MODE

ACE-EL34 X2
 DEUCE-EL34 X4
 TRIDENT-EL34 X6

ACE/DEUCE #562802
 TRIDENT #562146

MESA/BOOGIE STILETTO STAGE II

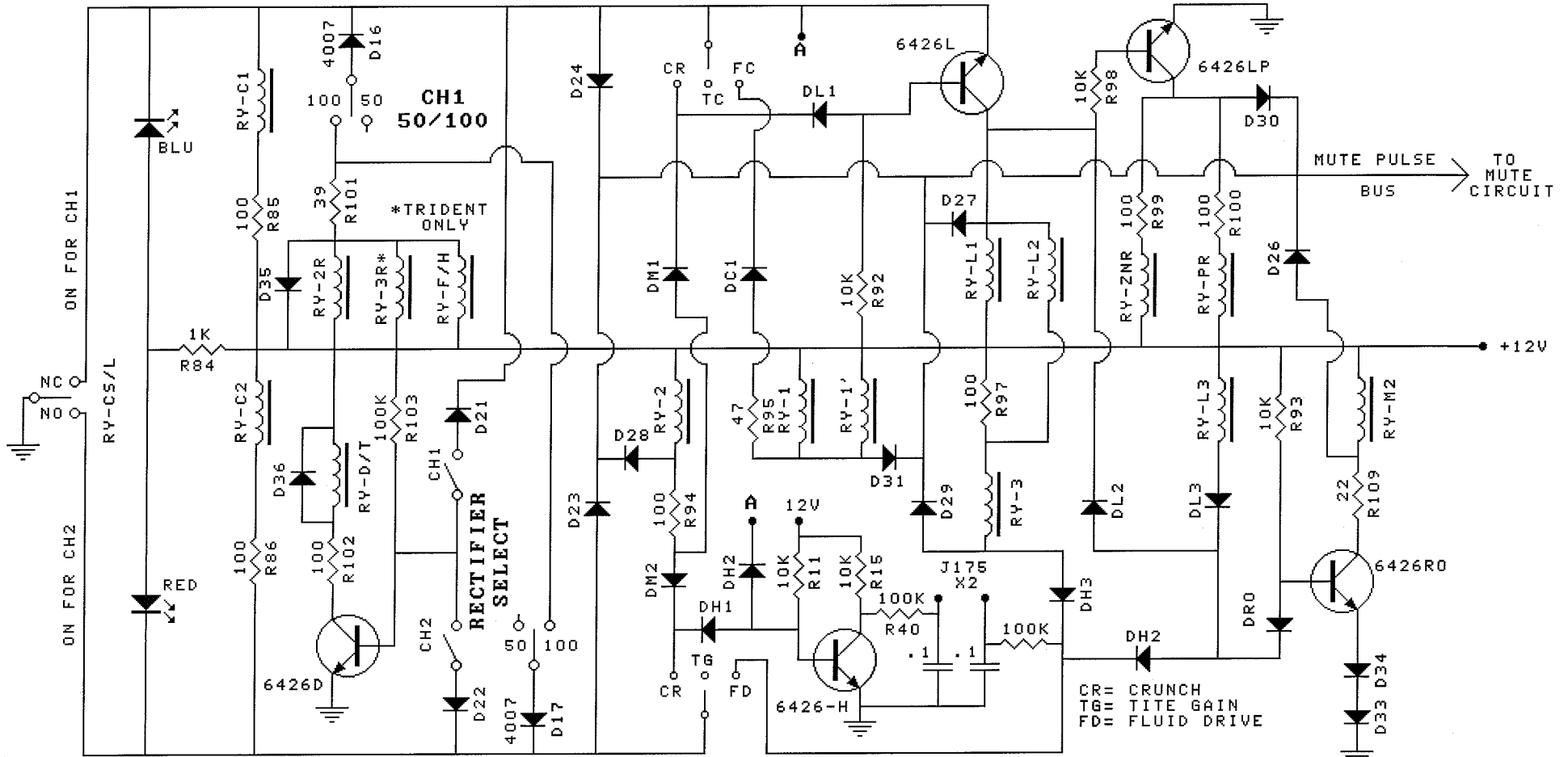
ACE, DEUCE, TRIDENT
SWITCH MATRIX PT1

CHANNEL ASSIGNABLE POWER
PATENT PENDING

FILE: SSI1SWI.501
DATE: 2/22/2006
DRAWN BY: JOHN M
PAGE: 6 OF 7
BOARD REV: STILETTO 5

FC= FAT CLEAN
TC= TITE CLEAN
CR= CRUNCH

CH1 MODE



ALL DIODES 1N4448
UNLESS OTHERWISE NOTED

CH2
50/100

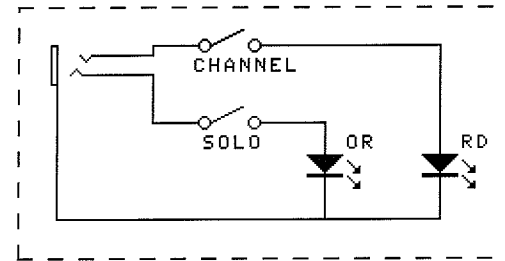
CH2 MODE

CR= CRUNCH
TG= TITE GAIN
FD= FLUID DRIVE

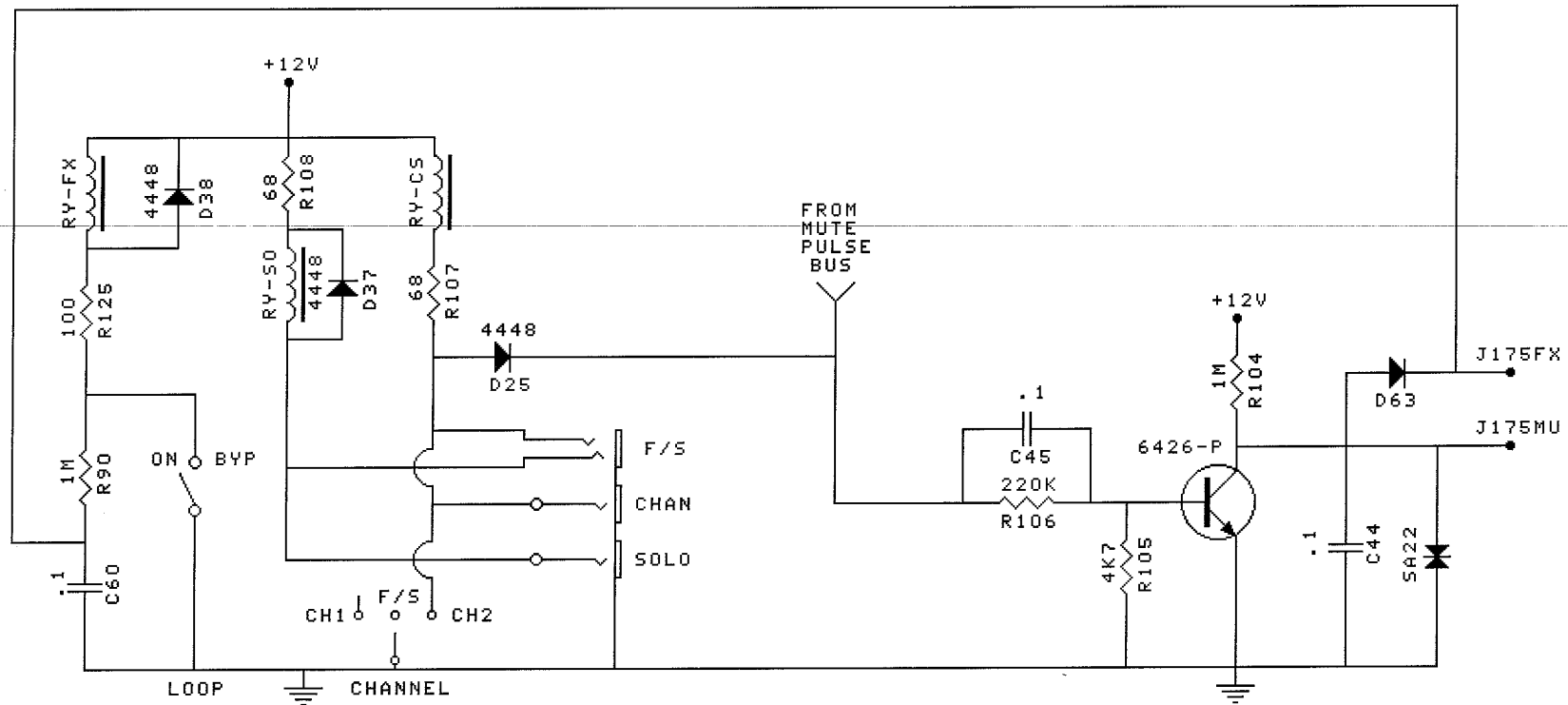
MESA/BOOGIE STILETTO STAGE II

ACE, DEUCE, TRIDENT
SWITCH MATRIX PT2

FILE: SSIISW1.S01
DATE: 2/22/2006
DRAWN BY: JOHN M
PAGE: 7 OF 7
BOARD REV: STILETTO 5



FOOTSWITCH



CHANNEL AND LOOP
SWITCHES

MUTE CIRCUIT
PATENT# 6,621,907