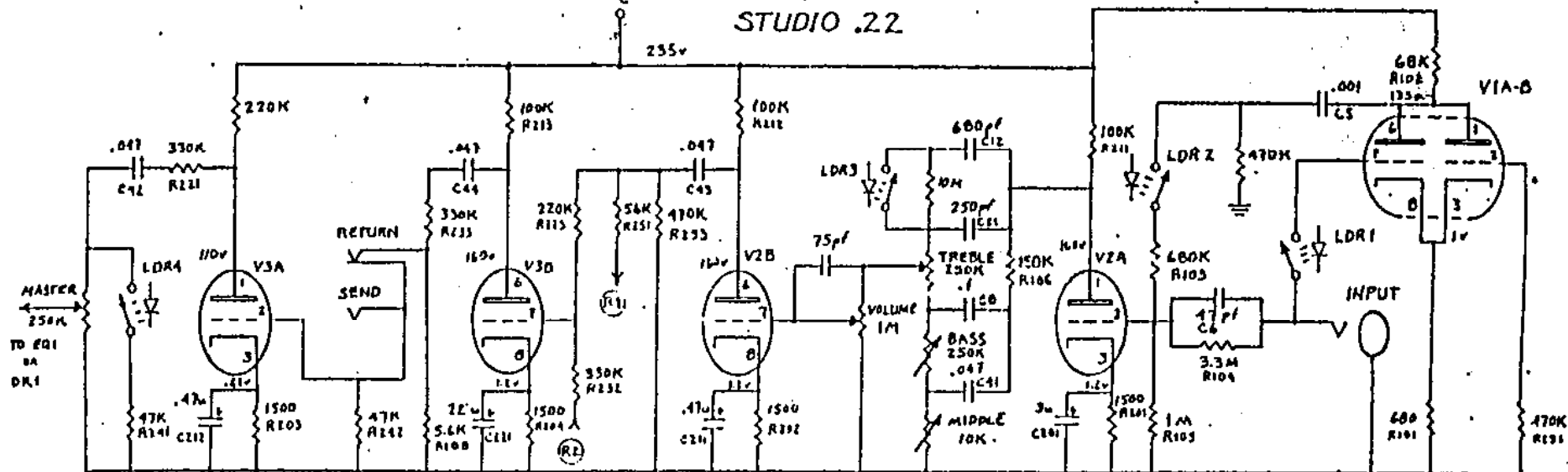


MESA/BOOGIE STUDIO .22

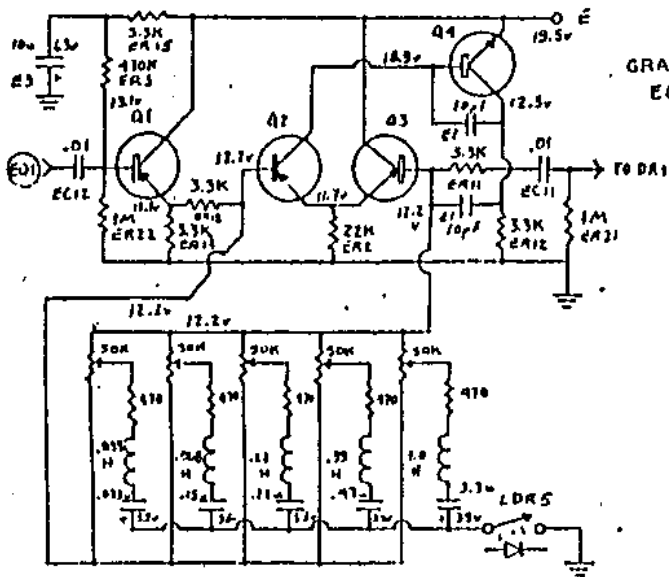


PREAMP

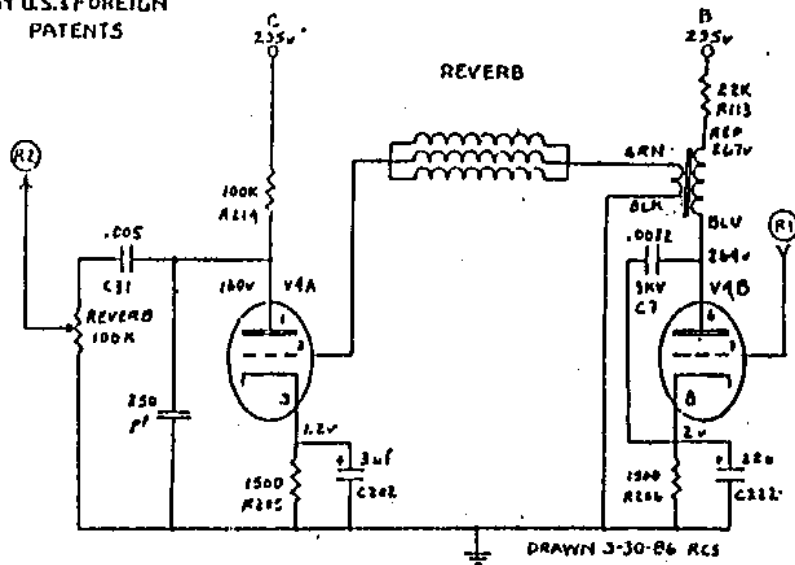
WARNING!
CIRCUITS PROTECTED
BY U.S. & FOREIGN
PATENTS

V1-V5 USE 7025/12AX7

Q1 MPS A63
Q2 MPS A70
Q3 MPS A70
Q4 MPS A20



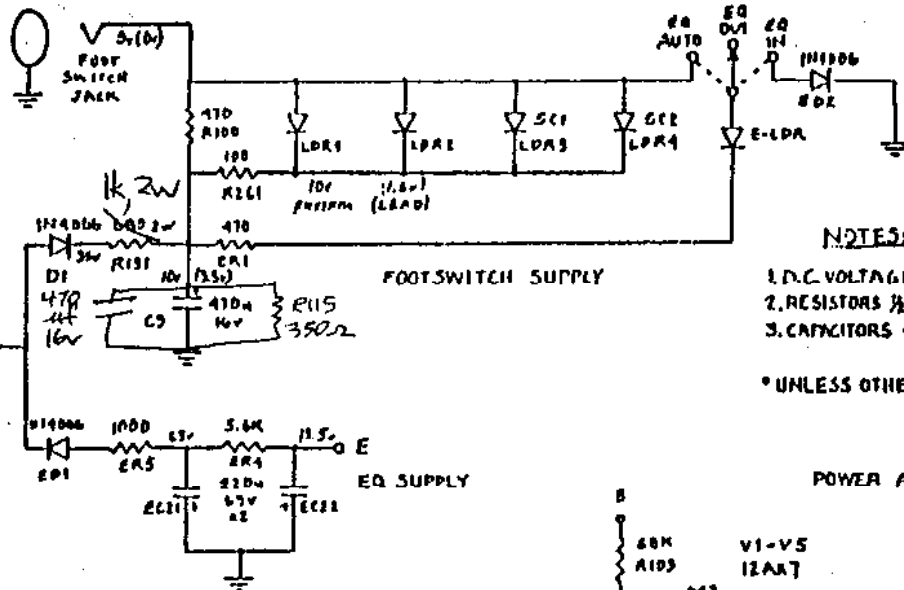
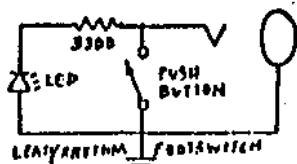
GRAPHIC
EQ



REVERB

DRAWN 3-30-86 RLS

MESA/BOOGIE STUDIO .22



NOTES:

1. D.C. VOLTAGES ±20%
 2. RESISTORS 1/2 WATT*
 3. CAPACITORS 400 V.D.C.
- * UNLESS OTHERWISE NOTED

