



## V-TWIN

### FRONT PANEL

Control Function	Type	Mesa Part#
Gain	Pot	594737
	Knob	408120
Bass	Pot	594739
	Knob	408120
Middle	Pot	594737
	Knob	408120
Treble	Pot	594149
	Knob	408120
Presence	Pot	594739
	Knob	408120
Master	Pot	594378
	Knob	408120

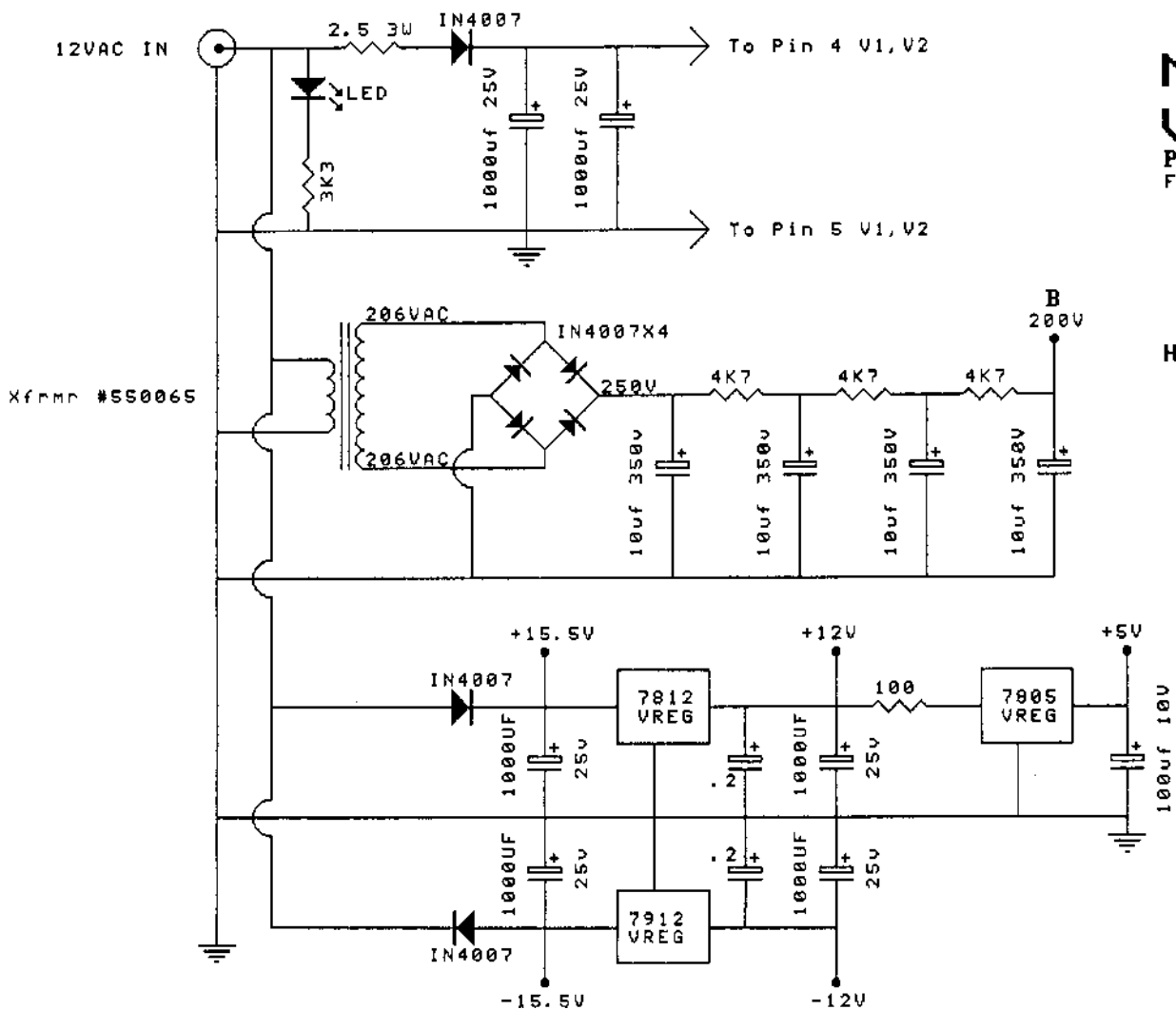
MISC PARTS			
Control Function	Type	Mesa Part#	
Bypass	Switch	600400	
Channel	" "	600400	
Clean/Blues	Cap	600203	
	Shaft	600201	
	Plunger	600202	
LED's	Bypass	Lens	703300
		LED	395753
	Clean	Lens	703300
		LED	395438
	Blues	Lens	703300
		LED	395439
	Solo	Lens	703300
		LED	395753
Tube Cage		493620	
Thumb Screw		302063	

### REAR PANEL

MISC PARTS		
Control Function	Type	Mesa Part#
<b>Jacks</b>		
Mixer/Headphone	Jack	612391
All Remaining (5)	Jack	618112
Power	Jack	612712
Mixer/Phones	Switch	601901
AC Adapter	Domestic	540122

# MESA-BOOGIE V/TWIN PREAMP

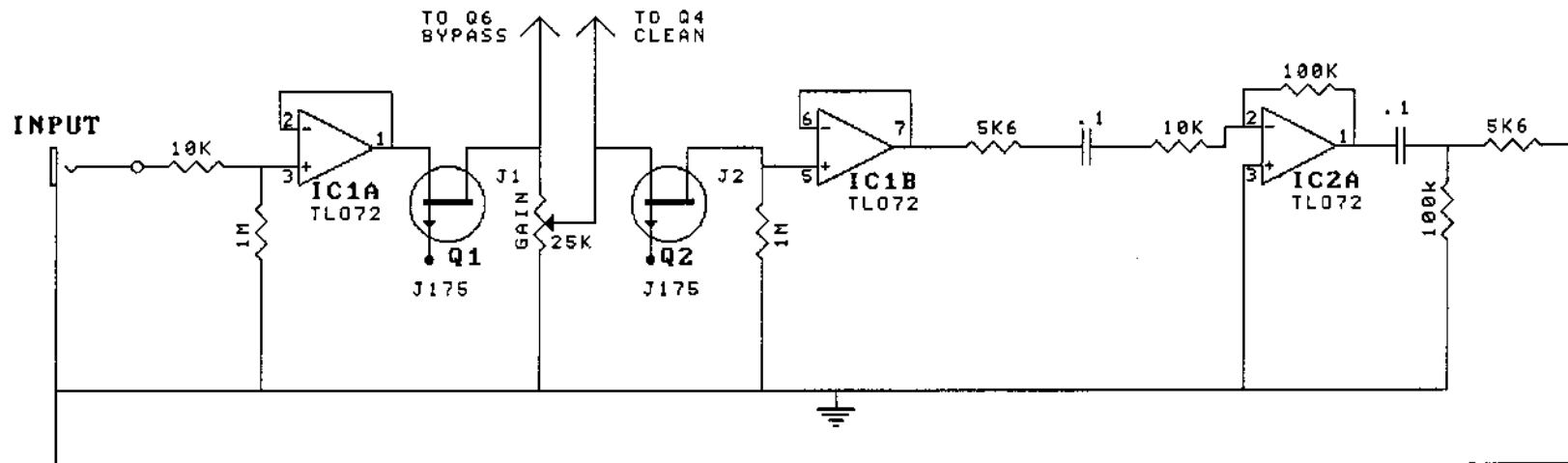
POWER SUPPLY  
FILE VTWINSUP.501



## HI-VOLT SUPPLY

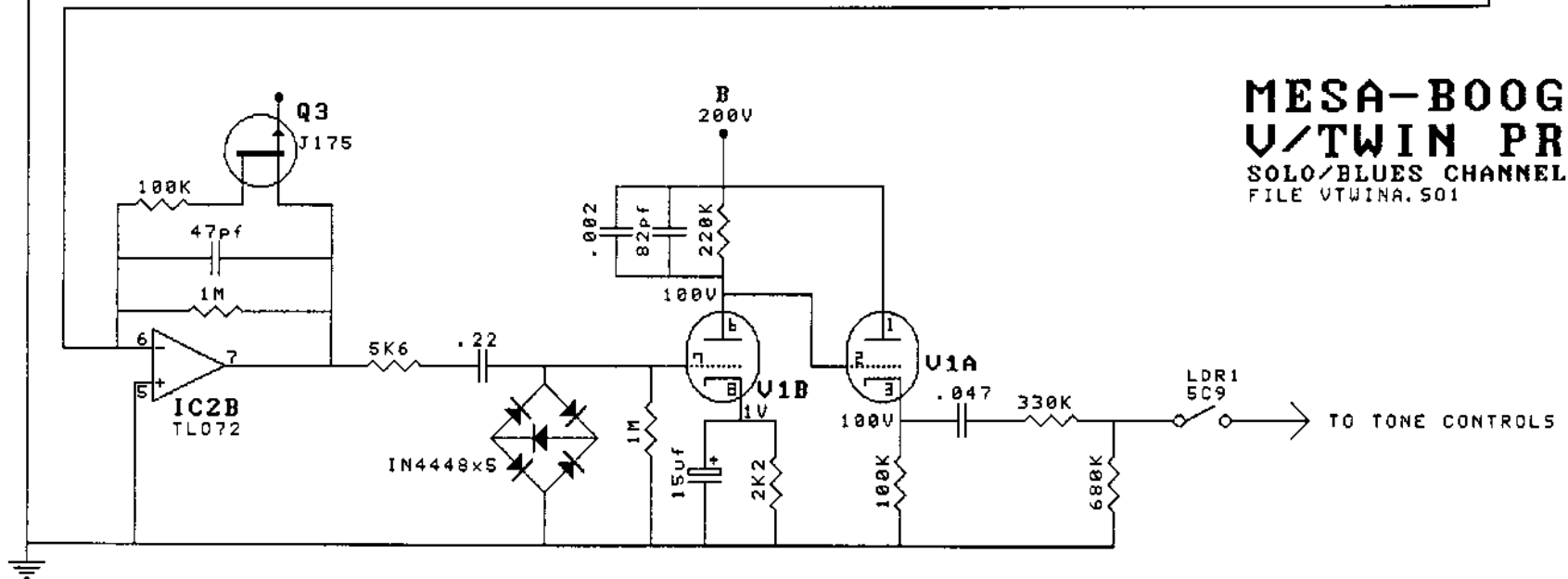
- IC1-IC4 PIN 4 -12V  
PIN 8 +12V
- IC5 PIN 6 +12V
- IC6 PIN 14 +5V
- IC7, IC8 PIN 1 +5V  
PIN 4 -12V

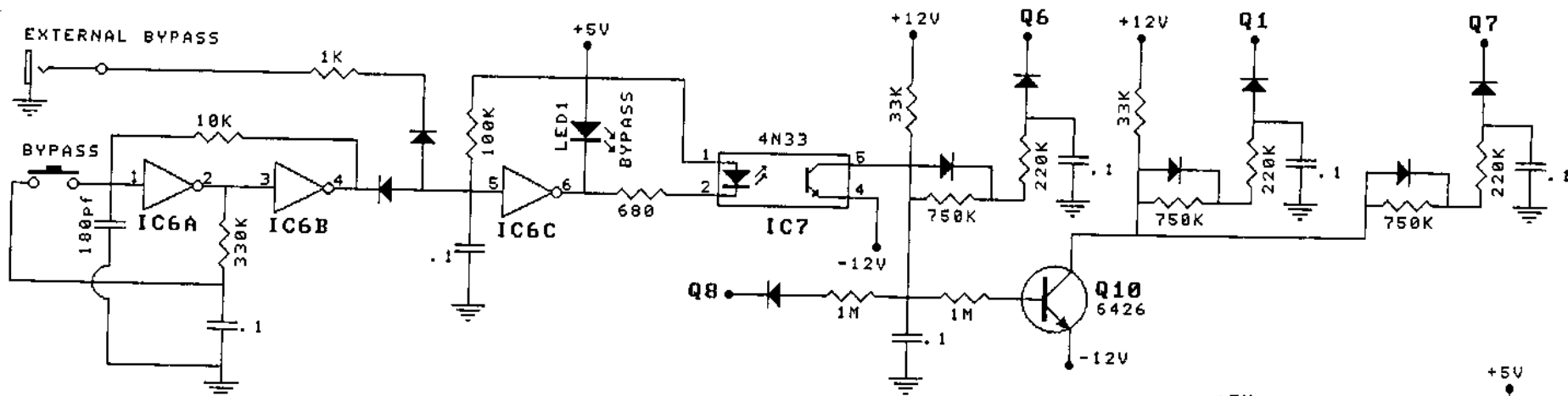




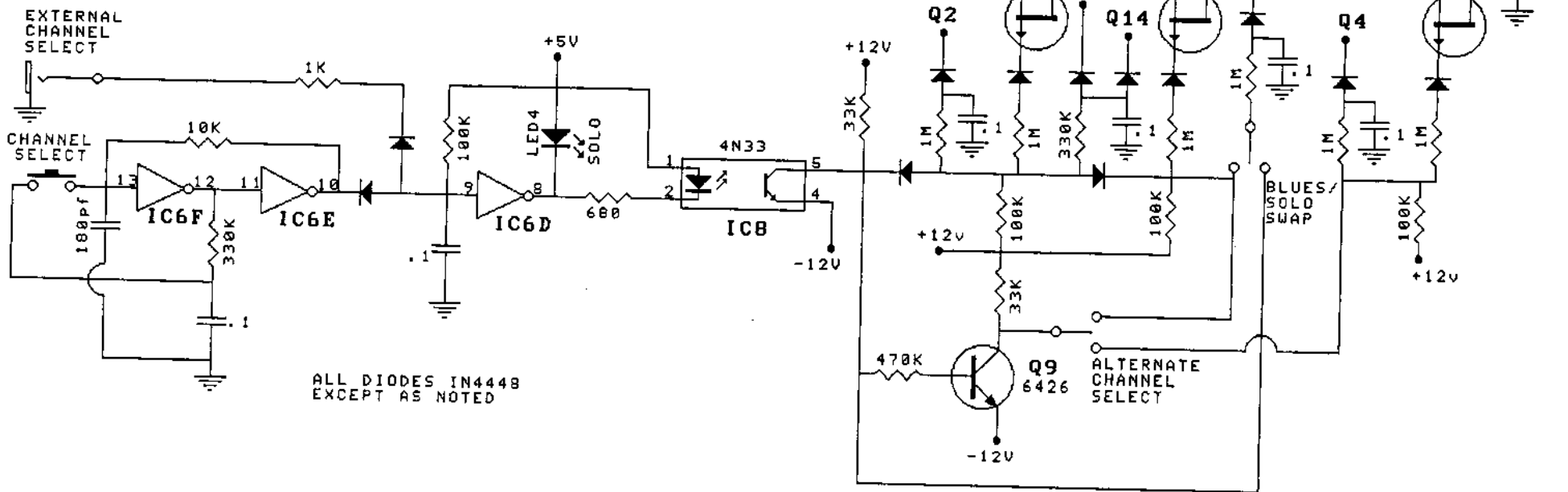
# MESA-BOOGIE U/TWIN PREAMP

SOLO/BLUES CHANNEL  
FILE VTWINA.S01





**MESA-BOOGIE  
V/TWIN PREAMP**  
SWITCHING MATRIX  
FILE VTWINSWI.S01



ALL DIODES IN4448  
EXCEPT AS NOTED