

# Replacement Parts, Rigging, and Product Services

Prices Effective February 1, 2016



The prices listed herein supersede all those previously issued, and are subject to change without notice. All prices are listed in US currency. All prices are F.O.B. Berkeley, California.

## Table of Contents

|   |    |
|---|----|
| Line Array  | 2  |
| LF  | 6  |
| Ultra   | 12 |
| Cine-Studio   | 18 |
| Beam  | 21 |
| Create Products                                       | 22 |
| Legacy  | 23 |
| Discontinued  | 33 |
| Electronic Repair Services                            | 36 |
| Appendix A - HP-4 Amplifier Modules                   | 38 |
| Appendix B - HP-2 Amplifier Modules                   | 39 |
| Appendix C - MP-4 Amplifier Modules                   | 40 |
| Appendix D - MP-2 Amplifier Modules                   | 41 |
| Appendix E - MPW-4 Amplifier Modules (MICA)           | 42 |
| Appendix F - JM-1P and UPQ Amplifier Modules          | 43 |
| Appendix G - M'elodie Amplifier Modules               | 44 |
| Appendix H - MINA and MJF-210 Amplifier Modules       | 45 |
| Appendix I - M2D Amplifier Modules                    | 46 |
| Appendix J - M1D/M1D-Sub Amplifier Modules            | 47 |
| Appendix K - UX Amplifier Modules                     | 48 |
| Appendix L - UPJ-1P/UPJunior Amplifier Modules        | 49 |
| Appendix M - UPM/UMS Amplifier Modules                | 50 |
| Appendix N - UP-4XP Amplifier Modules                 | 51 |
| Appendix O - MJF-212/MJF-212A Amplifier Modules       | 52 |
| Appendix P - 500-HP Amplifier Modules                 | 53 |
| Appendix Q - LEO-M Amplifier Modules                  | 54 |
| Appendix R - LYON Amplifier Modules                   | 55 |
| Appendix S - 1100-LFC Amplifier Modules               | 56 |
| Appendix T - Low-Frequency Replacement Drivers Index  | 57 |
| Appendix U - High-Frequency Replacement Drivers Index | 58 |

MEYER SOUND and the Meyer Sound wave logo are trademarks of Meyer Sound Laboratories Inc. and are registered in the United States Patent and Trademark Office, as well as in other countries.

The following is a partial list of additional Meyer Sound trademarks: 650-P\*, 650-R2\*, Acheron\*, AlignALink, Amie, B-Noise, BroadbandQ\*, CAL, Callisto\*, Compass\*, Compass Go by Meyer Sound, Compass RMS, Composite EQ, Constellation\*, CueConsole, CueStation, D-Mitri\*, EXP\*, Galileo\*, GuideALink, Intelligent AC, LCS, LEO\*, LEO-M, LEOPARD, LYON, M Series, M1D, M2D, M3D, MAPP, MAPP Online Pro\*, MAPP XT, Matrix3, MatrixLink, M'elodie\*, MICA\*, MILO\*, MINA, MSL-4\*, MultiSense, QuickFly\*, QuietCool, REM\*, RMS, SIM\*, SpaceMap\*, SpeakerSense, Stella, Thinking Sound\*, TM Array, TruPower\*, TruShaping\*, UltraSeries, U-Shaping\*, VariO, VRAS, Wild Tracks.

\*Registered in the United States Patent and Trademark Offices. Certain Meyer Sound trademarks are registered in other countries. All third-party marks are the property of their respective owners.

# Replacement Parts, Rigging, and Product Services

Prices Effective February 1, 2016



## Line Array

The LINE ARRAY series offers scalable solutions for applications, ranging from intimate theatres to houses of worship to the world's largest summer rock festivals. Regardless of size, all Meyer Sound line array systems share the same sonic signature, characterized by an extraordinarily linear response and transparent reproduction of both speech and music.

**LEO** Large line array loudspeaker in the LEO Family. Designed for long-throw applications where maximum power is required, such as large-scale tours and installations. Pairs with 1100-LFC for low-frequency control.

### LEO Amplifiers, Electronics & Cables

|               |   |          |
|---------------|---|----------|
| 40.033.013.11 | AHA-1100-LFC/LEO-M/LYON, LEO-M right amp, LYON bottom, and 1100-LFC BOTH left and right amplifier heatsink assembly | \$ 1,300 |
| 40.033.013.12 | AHA-LEO-M/L, amplifier/heatsink assembly - LEFT   | \$ 1,300 |
| 40.033.019.05 | MP AC-Mains 264V Only, used in LEO-M and 1100-LFC amplifiers ONLY   | \$ 400   |
| 40.033.202.06 | PSB-LEO-M/LYON/1100-LFC, power supply board   | \$ 580   |
| 40.147.042.61 | CBA-LEO-M/L, LEFT (LOW channel) control board   | \$ 620   |
| 40.147.042.62 | CBA-LEO-M/R, RIGHT (HIGH channel) control board   | \$ 620   |
| 40.215.020.01 | XRI-LEO-M/1100-LFC, 5-pin XLR input/RMS interconnect board kit  | \$ 380   |
| 40.215.072.01 | RSK-LEO-M/100-LFC, RMS service kit  | \$ 520   |
| 40.215.138.01 | LEO-M Replacement Amplifier, RMS, PowerCon 32 Amp, 5-pin XLR input board - only version                             | \$ 7,960 |

### LEO Drivers & Horns \*Exchange price reflects credit given upon receipt of rebuildable driver of same model

|               |   |          |
|---------------|---|----------|
| 40.216.001.01 | MS-2011M, used for LEO-M                                    | \$ 2,170 |
| 40.216.001.51 | MS-2011M, exchange driver* for MS-2011M                     | \$ 710   |
| 40.219.001.05 | ST-415HP, 4-ohm, 15-inch, neodymium magnet driver for LEO-M | \$ 1,020 |
| 67.056.014.01 | Gasket, for 15-inch drivers                                 | \$ 10    |

### LEO Rainhoods, Fans & Misc.

|               |  |        |
|---------------|--|--------|
| 40.215.090.02 | CRH-LEO/1100-LFC, cloth collapsible rainhood kit | \$ 280 |
| 712.022       | Replacement Caster, grey, 5-inch solid caster    | \$ 110 |

### LEO Rigging & Cabinet Components

|               |  |          |
|---------------|--|----------|
| 134.044       | QRP Blue Button-Head, 1/2" x 1.125"  | \$ 50    |
| 134.045       | QRP Red Button-Head w/Lanyard, 1/2" x 1.5"   | \$ 50    |
| 134.051       | QRP Red Button-Head w/Lanyard, 7/16" X 1.5", used in MTG-LYON and MTF-LEO/LYON         | \$ 50    |
| 40.215.023.01 | MRF-LEO-M/L, LEFT rigging frame replacement kit - includes FRONT and REAR AlignaLinks  | \$ 2,270 |
| 40.215.024.01 | MRF-LEO-M/R, RIGHT rigging frame replacement kit - includes FRONT and REAR AlignaLinks | \$ 2,270 |
| 40.215.054.01 | Rigging Handle Replacement Kit, for LEO-M  | \$ 110   |
| 40.215.172.01 | W/P Grille Frame Assembly, for LEO-M   | \$ 390   |
| 61.215.028.01 | Rigging Knob, for LEO-M and 1100-LFC   | \$ 50    |

**LYON** Mid-sized line array loudspeaker in the LEO Family, for applications where high power is required, such as medium- to large-scale tours and installations. Pairs with 1100-LFC or 900-LFC for low-frequency control. Serves as fill for LEO systems.

### LYON Amplifiers, Electronics & Cables

|               |   |          |
|---------------|---|----------|
| 40.033.013.11 | AHA-1100-LFC/LEO-M/LYON, LEO-M right amp, LYON bottom, and 1100-LFC BOTH left and right amplifier heatsink assembly | \$ 1,300 |
| 40.033.013.13 | AHA-LYON/T, amplifier/heatsink assembly - TOP position  | \$ 1,300 |
| 40.033.019.01 | HP/MP AC Mains PCBA, circuit board assembly, universal to all HP, MP, MPW, and LYON amplifiers                      | \$ 360   |
| 40.033.202.06 | PSB-LEO-M/LYON/1100-LFC, power supply board   | \$ 580   |
| 40.196.025.01 | DX RMS Board, for LYON, MINA, and MJF-210   | \$ 520   |
| 40.215.178.01 | XRM-LEOPARD/LYON/900-LFC-5, 5-pin XLR input/RMS module board kit  | \$ 730   |
| 40.215.278.01 | XRM-LEOPARD/LYON/900-LFC-3, 3-pin XLR input/RMS module board kit  | \$ 730   |
| 40.232.067.01 | CBA-LYON/T, control board - one per amplifier (TOP position)  | \$ 990   |
| 40.232.091.01 | LYON Replacement Amplifier, RMS, PowerCon 32 Amp, 5-pin XLR input board   | \$ 7,210 |
| 40.232.094.01 | LYON Replacement Amplifier, RMS, PowerCon 32 Amp, 3-pin XLR input board   | \$ 7,210 |

# Replacement Parts, Rigging, and Product Services

Prices Effective February 1, 2016



|   |   |  |
|---|---|--|
| <b>LYON Drivers &amp; Horns</b>                     |   | *Exchange price reflects credit given upon receipt of rebuildable driver of same model |
| 40.226.001.01                                       | ST-412HP, 4-ohm, 12-inch neodymium magnet driver for LYON   | \$ 930   |
| 40.238.001.01                                       | MS-1211M, used for LYON   | \$ 1,700   |
| 40.238.001.51                                       | MS-1212M, exchange driver* for MS-1211M   | \$ 640   |
| 67.051.038.01                                       | Gasket, for 12-inch drivers   | \$ 5   |
| <b>LYON Rainhoods, Fans &amp; Misc.</b>             |   |  |
| 40.147.031.01                                       | QRH-LYON/MICA, quick-clip transparent, removable rigid rainhood kit for LYON and MICA   | \$ 280   |
| 712.011   | Replacement Caster, grey, 5-inch solid caster   | \$ 90  |
| <b>LYON Rigging &amp; Cabinet Components</b>        |   |  |
| 134.025   | QRP Red Button-Head w/Lanyard, 5/16" X 0.875"   | \$ 50  |
| 134.050   | QRP Black Button-Head, 7/16" X 0.90", used in LYON rigging points   | \$ 50  |
| 134.051   | QRP Red Button-Head w/Lanyard, 7/16" X 1.5", used in MTG-LYON and MTF-LEO/LYON  | \$ 50  |
| 40.232.006.01                                       | Grille Frame Assembly, for LYON   | \$ 300   |
| 40.232.006.02                                       | W/P Grille Frame Assembly, weather-protected  | \$ 340   |
| 40.232.013.01                                       | MRF-LYON/L, left rigging frame replacement kit  | \$ 1,600   |
| 40.232.014.01                                       | MRF-LYON/R, right rigging frame replacement kit   | \$ 1,600   |
| 40.232.040.01                                       | Rigging Handle Replacement Kit, for LYON  | \$ 80  |
| 40.232.140.01                                       | MTF-LYON/LEOPARD Transition Frame, frame to transition from LYON to LEOPARD   | \$ 3,000   |
| 61.232.041.01                                       | Rigging Knob, for LYON  | \$ 50  |
| <b>LEOPARD</b>                                      | Small line array loudspeaker in the LEO Family. Designed for applications where high power is needed and space is at a premium, such as small- to medium-scale tours and installations. Pairs with 1100-LFC or 900-LFC for low-frequency control. Serves as fill for LEO or LYON systems. |  |
| <b>LEOPARD Amplifiers, Electronics &amp; Cables</b> |   |  |
| 40.215.178.01                                       | XRM-LEOPARD/LYON/900-LFC-5, 5-pin XLR input/RMS module board kit  | \$ 730   |
| 40.215.278.01                                       | XRM-LEOPARD/LYON/900-LFC-3, 3-pin XLR input/RMS module board kit  | \$ 730   |
| 40.243.001.03                                       | LEOPARD Replacement Amplifier, RMS, PowerCon 20 amp, 3-pin XLR input board  | \$ 5,410   |
| 40.243.001.05                                       | LEOPARD Replacement Amplifier, RMS, PowerCon20 amp, 5-pin XLR input board   | \$ 5,410   |
| <b>LEOPARD Drivers &amp; Horns</b>                  |   | *Exchange price reflects credit given upon receipt of rebuildable driver of same model |
| 40.247.001.01                                       | ST-28HP, 2-Ohm, 9-inch low frequency driver - used for LEOPARD  | \$ 670   |
| 40.253.001.01                                       | MS-1212M, 4-Ohm, 3-inch diaphragm high frequency driver - used for LEOPARD  | \$ 1,700   |
| 40.253.001.51                                       | MS-1212M, exchange driver* for MS-1212M   | \$ 640   |
| <b>LEOPARD Rainhoods, Fans &amp; Misc.</b>          |   |  |
| 40.243.041.01                                       | QRH-900-LFC/LEOPARD, quick-clip transparent, removable rigid rainhood kit   | \$ 230   |
| 712.013   | Replacement Caster, 4-inch solid caster   | \$ 50  |
| <b>LEOPARD Rigging &amp; Cabinet Components</b>     |   |  |
| 134.024   | QRP Black Button-Head, 5/16" X 0.63"  | \$ 40  |
| 40.232.140.01                                       | MTF-LYON/LEOPARD Transition Frame, frame to transition from LYON to LEOPARD   | \$ 3,000   |
| 40.243.006.01                                       | Grille Frame Replacement Kit, for LEOPARD   | \$ 290   |
| 40.243.166.01                                       | MRF-LEOPARD Left Rigging Frame Kit, as viewed from the front  | \$ 950   |
| 40.243.167.01                                       | MRF-LEOPARD Right Kit, as viewed from the front   | \$ 950   |
| 40.243.258.01                                       | Back Handle Replacement Kit, for LEOPARD - 1 handle, 2 screws w/ loctite  | \$ 40  |
| 61.243.098.01                                       | Rigging Knob Replacement, for LEOPARD - needs loctite, not included   | \$ 40  |
| <b>MICA</b>   | Mid-sized line array loudspeaker in the MILO Family. Designed for medium to large applications. Pairs with 700-HP and 600-HP subwoofers.  |  |
| <b>MICA Amplifiers, Electronics &amp; Cables</b>    |   |  |
| 40.033.002.01                                       | PSB-HP/MP/MPW, power supply board universal to all HP, MP, and MPW amplifiers   | \$ 520   |
| 40.033.013.01                                       | AHA-MP-2, amplifier/heatsink assembly TOP module  | \$ 1,020   |
| 40.033.014.01                                       | PSC-HP-2/MP-2, power supply assembly - includes chassis, MP transformer, and power supply board   | \$ 1,630   |
| 40.033.019.01                                       | HP/MP AC Mains PCBA, circuit board assembly, universal to all HP, MP, MPW, and LYON amplifiers  | \$ 360   |

# Replacement Parts, Rigging, and Product Services

Prices Effective February 1, 2016



|  |   |          |
|--|---|----------|
| 40.033.042.45  | CBA-MICA/B, TPL control board, BOTTOM   | \$ 620   |
| 40.033.042.46  | CBA-MICA/T, TPL control board, TOP  | \$ 620   |
| 40.033.071.01  | HP/MP RMS, communication board upgrade/replacement, universal to all HP, MP, and MPW amplifiers                                       | \$ 520   |
| 40.033.330.01  | AHA-HP-4/B, amplifier/heatsink assembly used in MILO, M3D/M3D-Sub, and MICA - BOTTOM position   | \$ 1,080 |
| 40.033.348.02  | RUP-HP-2/4/I-V, input board, XLR, IEC-309/VEAM user panel, no pol. switch   | \$ 120   |
| 40.147.026.01  | RUP-MPW-4/L, user panel, WIDE, L6-20 connector, 10-amp breakers for MICA  | \$ 520   |
| 40.147.026.02  | RUP-MPW-4/I, user panel, WIDE, IEC-309 connector, 10-amp breakers for MICA  | \$ 520   |
| 40.147.026.03  | RUP-MPW-4/V, user panel, WIDE, VEAM connector, 10-amp breakers for MICA   | \$ 730   |
| 40.147.026.04  | RUP-MPW-4/P, user panel, WIDE, PowerCON connector, 10-amp breakers for MICA   | \$ 520   |
| 40.147.026.05  | RUP-MPW-4/X, user panel, WIDE, 5-pin XLR, L6-20 connector, 10-amp breakers for MICA   | \$ 730   |
| 40.147.026.06  | RUP-MPW-4/X, user panel, WIDE, 5-pin XLR, IEC-309 connector, 10-amp breakers for MICA   | \$ 730   |
| 40.147.027.01  | PSB-MICA, MPW-4 power supply assembly - includes chassis, transformer, and power supply board for MICA                                | \$ 1,940 |
| 40.147.030.01  | MPW-4/MICA, L6-20, TPL, RMS amplifier   | \$ 6,610 |
| 40.147.030.02  | MPW-4/MICA, IEC 309, TPL, RMS amplifier   | \$ 6,610 |
| 40.147.030.03  | MPW-4/MICA, VEAM, TPL, RMS amplifier  | \$ 6,800 |
| 40.147.030.04  | MPW-4/MICA, PowerCON, TPL, RMS amplifier  | \$ 6,610 |
| 40.147.030.07  | MPW-4/MICA, VEAM, UWP, TPL, RMS amplifier   | \$ 7,820 |
| <b>MICA Drivers &amp; Horns</b>  |   |          |
| *Exchange price reflects credit given upon receipt of rebuildable driver of same model |   |          |
| 40.126.001.02  | ST-410HP, 4-ohm, 10-inch high-power neodymium magnet  | \$ 440   |
| 40.134.045.02  | MS-1201L, 3-inch diaphragm, 1.2-inch exit driver  | \$ 1,100 |
| 40.134.045.52  | MS-1201L, exchange driver* for MS-1201L   | \$ 500   |
| 67.552.019.02  | Gasket, for 10-inch drivers   | \$ 5     |
| <b>MICA Rainhoods, Fans &amp; Misc.</b>  |   |          |
| 40.147.031.01  | QRH-LYON/MICA, quick-clip transparent, removable rigid rainhood kit for LYON and MICA   | \$ 280   |
| 40.147.031.03  | MICA UW Rainhood Kit, with lanyard  | \$ 380   |
| 61.147.032.01  | Rainhood Retainer, for MICA   | \$ 80    |
| 712.011  | Replacement Caster, grey, 5-inch solid caster   | \$ 90    |
| <b>MICA Rigging &amp; Cabinet Components</b>   |   |          |
| 134.021  | QRP Blue Button-Head, 3/8" X 1.125", used in all MILO, MICA, 700-HP, and 600-HP (except in MILO front-bottom positions - see 134.022) | \$ 50    |
| 134.023  | QRP Red Button-Head w/Lanyard, 3/8" X 1.5", used with MG-3D/M grid for MILO, MG-MICA, and caster frames MCF-MILO and MCF-MICA         | \$ 50    |
| 134.025  | QRP Red Button-Head w/Lanyard, 5/16" X 0.875"   | \$ 50    |
| 134.037  | Low Profile Quick Pin Removal Tool, needed to install and remove low profile pins 134.030 and 134.031                                 | \$ 50    |
| 134.038  | Black Flat Head, 3/8" X 1.125", low profile model, removal tool 134.037 needed  | \$ 60    |
| 40.147.006.01  | Grille Frame Replacement Kit, standard  | \$ 440   |
| 40.147.006.02  | W/P Grille Frame Replacement Kit, weather-protected   | \$ 540   |
| 40.147.021.01  | Left Rigging Frame Replacement Kit, as viewed from the front, includes front and rear GuideALinks                                     | \$ 1,170 |
| 40.147.021.02  | Right Rigging Frame Replacement Kit, as viewed from the front, includes front and rear GuideALinks                                    | \$ 1,170 |
| 40.147.036.01  | Threaded Pin Replacement Kit, used in rigging frames to adjust links and keep them captive  | \$ 40    |
| 40.147.071.01  | UW Grille Frame Kit, ultra weather-protected  | \$ 500   |
| 40.147.096.01  | UW Left Rigging Assembly Kit, as viewed from the front, white, ultra weather-protected  | \$ 1,270 |
| 40.147.096.02  | UW Right Rigging Assembly Kit, as viewed from the front, white, ultra weather-protected   | \$ 1,270 |
| 40.147.160.01  | MDTL-MICA, downtilt kit, white, ultra weather-protected   | \$ 600   |
| 61.147.040.01  | MG-MICA, replacement FRONT link for MG-MICA grid  | \$ 110   |
| 61.147.042.01  | MG-MICA, replacement rREAR link for MG-MICA grid  | \$ 130   |
| 61.147.091.02  | UW Grid Link, FRONT, white, ultra weather-protected   | \$ 180   |
| 61.147.092.02  | UW Grid Link, REAR, white, ultra weather-protected  | \$ 180   |
| <b>M'elodie</b>  | Small line array loudspeaker. Designed for small to medium applications. Pairs with 600-HP subwoofer. Serves as fill for MICA.        |          |
| <b>M'elodie Amplifiers, Electronics &amp; Cables</b>                                   |   |          |
| 40.084.008.01  | RMS Replacement/Upgrade Kit, comm board service kit   | \$ 520   |

# Replacement Parts, Rigging, and Product Services

Prices Effective February 1, 2016



|  |   |          |
|--|---|----------|
| 40.084.017.01  | AIM, 3-pin audio input module w/looping   | \$ 370   |
| 40.084.080.01  | AIM, 5-pin audio input module w/looping   | \$ 440   |
| 40.152.015.01  | AHA-M'elodie/MJF/W, amplifier/heatsink assembly WIDE module - used in M'elodie and MJF-212 for LOW drivers                                | \$ 540   |
| 40.152.015.02  | AHA-M'elodie/MJF/N, amplifier/heatsink assembly NARROW module used in M'elodie, MJF-212, and MJF-212A for HIGH driver                     | \$ 540   |
| 40.152.016.01  | CBA-M'elodie, control board   | \$ 620   |
| 40.152.033.01  | AC Mains Board, for JM-1P, M'elodie, MJF-212A, UPQ-1P/2P, and 500-HP  | \$ 360   |
| 40.152.040.01  | PowerCON AC Panel, for M'elodie and MJF-212A  | \$ 160   |
| 40.152.048.01  | PSB-500-HP/JM/M'elodie/MJF/UPQ, power supply board  | \$ 520   |
| <b>M'elodie Drivers &amp; Horns</b> *Exchange price reflects credit given upon receipt of rebuildable driver of same model |   |          |
| 40.134.045.02  | MS-1201L, 3-inch diaphragm, 1.2-inch exit driver  | \$ 1,100 |
| 40.134.045.52  | MS-1201L, exchange driver* for MS-1201L   | \$ 500   |
| 40.143.036.01  | ST-48N, 4-ohm, 8-inch Neodymium Magnet - used for M'elodie, UPJunior, and UPJunior-XP   | \$ 370   |
| <b>M'elodie Rainhoods, Fans &amp; Misc.</b>  |   |          |
| 40.152.031.01  | RH-M'elodie, quick-pin transparent, removable rigid rainhood kit  | \$ 280   |
| 40.152.031.02  | UW Rainhood Kit, with lanyard, ultra weather-protected  | \$ 430   |
| 67.152.031.01  | Rainhood Gasket, for M'elodie   | \$ 20    |
| 712.013  | Replacement Caster, 4-inch solid caster   | \$ 50    |
| <b>M'elodie Rigging &amp; Cabinet Components</b>   |   |          |
| 134.024  | QRP Black Button-Head, 5/16" X 0.63"  | \$ 40    |
| 134.025  | QRP Red Button-Head w/Lanyard, 5/16" X 0.875"   | \$ 50    |
| 134.030  | Black Flat Head, 5/16" X 0.63", low profile model (removal tool 134.037 needed)   | \$ 50    |
| 134.036  | QRP Red Button-Head w/Lanyard, 1/4" X 0.90"   | \$ 50    |
| 134.037  | Low Profile Quick Pin Removal Tool, needed to install and remove low profile pins 134.030 and 134.031                                     | \$ 50    |
| 40.152.006.01  | Grille Frame Replacement Kit, for M'elodie  | \$ 290   |
| 40.152.006.02  | W/P Grille Frame Replacement Kit, weather-protected   | \$ 350   |
| 40.152.022.01  | Threaded Pin Replacement, used in rigging frames to adjust links and keep them captive  | \$ 40    |
| 40.152.024.01  | Left Rigging Frame Replacement Kit, as viewed from the front, includes front and rear Align-A-Links                                       | \$ 930   |
| 40.152.024.02  | Right Rigging Frame Replacement Kit, as viewed from the front, includes front and rear AlignLinks   | \$ 930   |
| 40.152.037.01  | MG-M'elodie, grid knob replacement kit  | \$ 40    |
| <b>MINA</b>  | Small line array loudspeaker that complements the LEO Family. Designed for small to medium applications. Pairs with the 500-HP subwoofer. |          |
| <b>MINA Amplifiers, Electronics &amp; Cables</b>   |   |          |
| 40.196.014.01  | DX Audio Input Board, 3-pin XLR connector with loop out   | \$ 290   |
| 40.196.014.02  | DX Audio Input Board, 5-pin XLR connector with loop out   | \$ 290   |
| 40.196.016.01  | AHA-DX, amplifier/heatsink assembly module  | \$ 1,060 |
| 40.196.025.01  | DX RMS Board, for LYON, MINA, and MJF-210   | \$ 520   |
| 40.207.017.01  | RUP-DX, amplifier and user panel assembly module, includes DX amplifier/heatsink, audio input, and RMS boards                             | \$ 1,920 |
| 40.207.027.01  | Power Supply, for MINA and MJF-210  | \$ 960   |
| <b>MINA Drivers &amp; Horns</b> *Exchange price reflects credit given upon receipt of rebuildable driver of same model     |   |          |
| 40.134.045.02  | MS-1201L, 3-inch diaphragm, 1.2-inch exit driver  | \$ 1,100 |
| 40.134.045.52  | MS-1201L, exchange driver* for MS-1201L   | \$ 500   |
| 40.206.001.01  | ST-46N, 4-ohm, 6.5-inch neodymium magnet  | \$ 340   |
| <b>MINA Rainhoods, Fans &amp; Misc.</b>  |   |          |
| 40.207.080.01  | QRH-MINA, quick-pin transparent, removable rigid rainhood kit   | \$ 230   |
| 712.013  | Replacement Caster, 4-inch solid caster   | \$ 50    |
| <b>MINA Rigging &amp; Cabinet Components</b>   |   |          |
| 134.036  | QRP Red Button-Head w/Lanyard, 1/4" X 0.90"   | \$ 50    |
| 134.039  | QRP Black Button-Head, 1/4" X 0.53"   | \$ 40    |
| 40.207.006.01  | Grille Frame Assembly, for MINA   | \$ 260   |

# Replacement Parts, Rigging, and Product Services

Prices Effective February 1, 2016



|               |   |        |
|---------------|---|--------|
| 40.207.006.02 | W/P Grille Frame Assembly, weather-protected  | \$ 320 |
| 40.207.036.01 | MRF-MINA Lt Rigging Frame Rplcmnt Kit, as viewed from the front, includes front and rear AlignaLinks            | \$ 760 |
| 40.207.036.02 | MRF-MINA Rt Rigging Frame Rplcmnt Kit, as viewed from the front, includes front and rear AlignaLinks            | \$ 760 |
| 40.207.157.01 | MPA2-MINA, replacement plate adaptors for hanging for 2 MINA loudspeakers on an MYA-MINA - includes M6 hardware | \$ 70  |

## LF

The LF series comprises loudspeaker systems designed and engineered for powerful, linear bass and sub-bass reproduction in portable, touring, or installed sound applications. Options are available for massive touring systems down to discreet installations in hotels and restaurants, and all LF requirements in between.

### 1100-LFC

Large low-frequency array loudspeaker in the LEO Family. Designed for long-throw applications where maximum power is required, such as large-scale tours and installations. Pairs with LEO-M, LYON, and large LEOPARD systems. No additional charge for weather protection when purchased as part of a weather protected LEO family system.

#### 1100-LFC Amplifiers, Electronics & Cables

|               |   |          |
|---------------|---|----------|
| 40.033.013.11 | AHA-1100-LFC/LEO-M/LYON, LEO-M right amp, LYON bottom, and 1100-LFC BOTH left and right amplifier heatsink assembly | \$ 1,300 |
| 40.033.019.05 | MP AC-Mains 264V Only, used in LEO-M and 1100-LFC amplifiers ONLY   | \$ 400   |
| 40.033.042.50 | Control Card PCBA, RIGHT side, one per amplifier  | \$ 620   |
| 40.033.202.06 | PSB-LEO-M/LYON/1100-LFC, power supply board   | \$ 580   |
| 40.215.020.01 | XRI-LEO-M/1100-LFC, 5-pin XLR input/RMS interconnect board kit  | \$ 380   |
| 40.215.072.01 | RSK-LEO-M/100-LFC, RMS service kit  | \$ 520   |
| 40.220.051.01 | Replacement Amplifier, PowerCON 32, RMS, 5-pin XLR input board  | \$ 7,960 |
| 40.220.071.01 | XRM-1100-LFC, 3-pin XLR Input/RMS module kit - 1100-LFC ONLY  | \$ 380   |
| 40.220.086.01 | Replacement Amplifier, PowerCON 32, RMS, 3-pin XLR input board  | \$ 7,960 |

#### 1100-LFC Drivers & Horns

|               |  |          |
|---------------|--|----------|
| 40.220.060.01 | MS-818LFC, 8-ohm, 18-inch neodymium magnet | \$ 1,130 |
|---------------|--|----------|

#### 1100-LFC Rainhoods, Fans & Misc.

|               |  |        |
|---------------|--|--------|
| 40.215.090.02 | CRH-LEO/1100-LFC, cloth collapsible rainhood kit | \$ 280 |
| 712.022       | Replacement Caster, grey, 5-inch solid caster    | \$ 110 |

#### 1100-LFC Rigging & Cabinet Components

|               |  |        |
|---------------|--|--------|
| 134.044       | QRP Blue Button-Head, 1/2" x 1.125"          | \$ 50  |
| 134.045       | QRP Red Button-Head w/Lanyard, 1/2" x 1.5"   | \$ 50  |
| 40.220.057.02 | W/P Grille Frame Assembly, weather-protected | \$ 390 |
| 61.215.028.01 | Rigging Knob, for LEO-M and 1100-LFC         | \$ 50  |

### 900-LFC

Mid-sized low-frequency array loudspeaker in the LEO Family. Designed for applications where high power is required and space is a consideration, such as small- to medium-scale tours and installations. Pairs with LYON and LEOPARD systems. No additional charge for weather protection when purchased as part of a weather protected LEO family system.

#### 900-LFC Amplifiers, Electronics & Cables

|               |  |          |
|---------------|--|----------|
| 40.215.178.01 | XRM-LEOPARD/LYON/900-LFC-5, 5-pin XLR input/RMS module board kit   | \$ 730   |
| 40.215.278.01 | XRM-LEOPARD/LYON/900-LFC-3, 3-pin XLR input/RMS module board kit   | \$ 730   |
| 40.246.001.03 | Replacement Amplifier, RMS, PowerCon 20 amp, 3-pin XLR input board | \$ 5,950 |
| 40.246.001.05 | Replacement Amplifier, RMS, PowerCon 20 amp, 5-pin XLR input board | \$ 5,950 |

#### 900-LFC Drivers & Horns

|               |   |          |
|---------------|---|----------|
| 40.246.017.01 | MS-2218LFC, dual coil 2-Ohm, 18-inch low frequency driver | \$ 1,240 |
|---------------|---|----------|

#### 900-LFC Rainhoods, Fans & Misc.

|               |   |        |
|---------------|---|--------|
| 40.243.041.01 | QRH-900-LFC/LEOPARD, quick-clip transparent, removable rigid rainhood kit | \$ 230 |
| 712.013       | Replacement Caster, 4-inch solid caster                                   | \$ 50  |

#### 900-LFC Rigging & Cabinet Components

|               |   |        |
|---------------|---|--------|
| 134.024       | QRP Black Button-Head, 5/16" X 0.63"          | \$ 40  |
| 134.025       | QRP Red Button-Head w/Lanyard, 5/16" X 0.875" | \$ 50  |
| 40.246.006.01 | Grille Frame Replacement Kit, for 900-LFC     | \$ 330 |

# Replacement Parts, Rigging, and Product Services

Prices Effective February 1, 2016



|               |   |          |
|---------------|---|----------|
| 40.246.166.01 | MRF-900-LFC Left Rigging Frame Kit, as viewed from the front          | \$ 1,030 |
| 40.246.167.01 | MRF-900-LFC Right Rigging Frame Kit, as viewed from the front         | \$ 1,030 |
| 40.246.168.01 | MRK-900-LFC Rigging Upgrade Kit, includes both LEFT and RIGHT rigging | \$ 2,060 |

## **500-HP** Small array subwoofer for applications where portability is essential. Pairs with M'elodie and MINA systems.

### **500-HP Amplifiers, Electronics & Cables**

|               |   |          |
|---------------|---|----------|
| 28.010.001.04 | Speaker Cable, 10m, 14-gauge, 4-conductor jacketed, EP 4 male and female  | \$ 230   |
| 28.010.001.05 | Speaker Cable, 25m, 14-gauge, 4-conductor jacketed, EP 4 male and female  | \$ 280   |
| 40.084.008.01 | RMS Replacement/Upgrade Kit, comm board service kit   | \$ 520   |
| 40.084.017.01 | AIM, 3-pin audio input module w/looping   | \$ 370   |
| 40.084.017.02 | AIM, audio input module with looping, attenuation, and polarity   | \$ 440   |
| 40.084.017.05 | AIM-500-HP/UMS-1P, audio input module with attenuation, polarity, and summing mono  | \$ 440   |
| 40.084.018.01 | Blank Plate, installed in place of RMS board  | \$ 80    |
| 40.084.080.01 | AIM, 5-pin audio input module w/looping   | \$ 440   |
| 40.152.016.09 | CBA-500-HP, control board   | \$ 620   |
| 40.152.033.01 | AC Mains Board, for JM-1P, M'elodie, MJF-212A, UPQ-1P/2P, and 500-HP  | \$ 360   |
| 40.152.048.01 | PSB-500-HP/JM/M'elodie/MJF/UPQ, power supply board  | \$ 520   |
| 40.152.201.01 | PSB-500-HP, bank of capacitors board used instead of power supply board - only in 500-HP LEFT heatsink (as viewed from the back)              | \$ 360   |
| 40.185.118.01 | AHA-500-HP/JM/UPQ, amplifier/heatsink assembly dual FET long module w/QuietCool fan. Amplifier module only.                                   | \$ 800   |
| 40.185.120.01 | AHA-500-HP/JM/UPQ, amplifier/heatsink assembly dual FET long module w/QuietCool fan. Complete assembly. Includes AC main/power supply boards. | \$ 1,690 |

### **500-HP Drivers & Horns**

|               |                                |        |
|---------------|--------------------------------|--------|
| 40.130.100.02 | ST-212S, 2-ohm, 12-inch driver | \$ 610 |
| 67.051.038.01 | Gasket, for 12-inch drivers    | \$ 5   |

### **500-HP Rainhoods, Fans & Misc.**

|               |   |       |
|---------------|---|-------|
| 40.084.102.01 | Replacement Fan, for M1D, M1D-Sub, UPJ-1P, UPJunior, UPQ-1/2P, JM-1P, and 500-HP amplifier/heatsink | \$ 40 |
| 712.013       | Replacement Caster, 4-inch solid caster   | \$ 50 |

### **500-HP Rigging & Cabinet Components**

|               |   |          |
|---------------|---|----------|
| 134.024       | QRP Black Button-Head, 5/16" X 0.63"  | \$ 40    |
| 134.025       | QRP Red Button-Head w/Lanyard, 5/16" X 0.875"   | \$ 50    |
| 134.030       | Black Flat Head, 5/16" X 0.63", low profile model (removal tool 134.037 needed)                       | \$ 50    |
| 134.037       | Low Profile Quick Pin Removal Tool, needed to install and remove low profile pins 134.030 and 134.031 | \$ 50    |
| 40.152.022.01 | Threaded Pin Replacement, used in rigging frames to adjust links and keep them captive                | \$ 40    |
| 40.187.006.01 | Grille Frame w/Black Mesh & Logo Plate, for 500-HP  | \$ 330   |
| 40.187.006.02 | W/P Grille Frame, black mesh, internal foam, and logo plate (only for weather-protected loudspeakers) | \$ 390   |
| 40.187.011.01 | MRF-500 Rigging Upgrade Kit, includes LEFT and RIGHT rigging frames                                   | \$ 2,080 |
| 40.187.012.01 | MRF-500 Left Rigging Frame Rplcmnt Kit, as viewed from the front, includes FRONT and REAR GuideALinks | \$ 1,050 |
| 40.187.012.02 | MRF-500 Rt Rigging Frame Rplcmnt Kit, as viewed from the front, includes FRONT and REAR GuideALinks   | \$ 1,050 |

## **600-HP** Mid-sized array subwoofer for applications where substantial power is required. Pairs with MICA, M'elodie, and MINA systems.

### **600-HP Amplifiers, Electronics & Cables**

|               |  |          |
|---------------|--|----------|
| 28.010.001.04 | Speaker Cable, 10m, 14-gauge, 4-conductor jacketed, EP 4 male and female                       | \$ 230   |
| 28.010.001.05 | Speaker Cable, 25m, 14-gauge, 4-conductor jacketed, EP 4 male and female                       | \$ 280   |
| 40.033.002.01 | PSB-HP/MP/MPW, power supply board universal to all HP, MP, and MPW amplifiers                  | \$ 520   |
| 40.033.019.01 | HP/MP AC Mains PCBA, circuit board assembly, universal to all HP, MP, MPW, and LYON amplifiers | \$ 360   |
| 40.033.042.47 | CBA-600-HP, TPL control board  | \$ 620   |
| 40.033.045.71 | HP-2/600-HP, L6-20, TPL, RMS amplifier   | \$ 4,780 |
| 40.033.045.74 | HP-2/600-HP, IEC 309, TPL, RMS amplifier   | \$ 4,780 |
| 40.033.045.78 | HP-2/600-HP, VEAM, TPL, RMS amplifier  | \$ 4,960 |
| 40.033.045.79 | HP-2/600-HP, PowerCON, TPL, RMS amplifier  | \$ 4,780 |
| 40.033.063.50 | HP-2/600-HP, L6-20, TPL, amplifier   | \$ 4,250 |

# Replacement Parts, Rigging, and Product Services

Prices Effective February 1, 2016



|  |   |          |
|--|---|----------|
| 40.033.063.51                                      | HP-2/600-HP, IEC 309, TPL, amplifier  | \$ 4,250 |
| 40.033.063.52                                      | HP-2/600-HP, VEAM, TPL, amplifier   | \$ 4,440 |
| 40.033.063.53                                      | HP-2/600-HP, PowerCON, TPL, amplifier   | \$ 4,250 |
| 40.033.071.01                                      | HP/MP RMS, communication board upgrade/replacement, universal to all HP, MP, and MPW amplifiers                                       | \$ 520   |
| 40.033.245.78                                      | HP-2/600-HP, VEAM, TPL, UWP, RMS amplifier  | \$ 5,710 |
| 40.033.327.01                                      | AHA-HP-2/4, amplifier/heatsink assembly TOP module used in M2D-Sub, 700-HP, 600-HP, MILO, M3D/M3D-Sub TOP, and Acheron LF             | \$ 1,080 |
| 40.033.340.01                                      | RUP-HP-2/P, user panel for HP-2, PowerCON connector, 10-amp breakers for 600-HP and M2D-Sub   | \$ 520   |
| 40.033.340.02                                      | RUP-HP-2/V, user panel for HP-2, VEAM connector, 10-amp breakers for 700-HP, 600-HP, and M2D-Sub                                      | \$ 730   |
| 40.033.340.03                                      | RUP-HP-2/L, user panel for HP-2, L6-20 connector, 10-amp breakers for 700-HP, 600-HP, and Acheron LF                                  | \$ 520   |
| 40.033.340.04                                      | RUP-HP-2/I, user panel for HP-2, IEC-309 connector, 10-amp breakers for 700-HP, 600-HP, and Acheron LF                                | \$ 520   |
| 40.033.348.01                                      | RUP-HP-2/4/L, input board, XLR, L6-20 user panel, no pol. switch  | \$ 120   |
| 40.033.348.02                                      | RUP-HP-2/4/I-V, input board, XLR, IEC-309/VEAM user panel, no pol. switch   | \$ 120   |
| <b>600-HP Drivers &amp; Horns</b>                  |   |          |
| 40.122.001.02                                      | ST-415S, 4-ohm, 15-inch driver  | \$ 900   |
| 67.056.014.01                                      | Gasket, for 15-inch drivers   | \$ 10    |
| <b>600-HP Rainhoods, Fans &amp; Misc.</b>          |   |          |
| 40.033.128.01                                      | QRH-HP/MP, quick-clip transparent, removable rigid rainhood kit - fits all HP/MP self-powered loudspeakers except MICA and PSM-2      | \$ 280   |
| 40.033.128.05                                      | QRH-HP/MP, HP/MP replacement quick-clip rainhood - rainhood only, requires frame  | \$ 230   |
| 40.033.128.06                                      | HP/MP Rplcmnt Quick-Clip Mounting Frame, frame only   | \$ 60    |
| 40.105.034.01                                      | CRH-HP/MP, cloth collapsible rainhood kit - fits all HP/MP self-powered loudspeakers except MICA and PSM-2                            | \$ 280   |
| 66.149.013.01                                      | Replacement Skid, for 600-HP  | \$ 60    |
| <b>600-HP Rigging &amp; Cabinet Components</b>     |   |          |
| 134.021  | QRP Blue Button-Head, 3/8" X 1.125", used in all MILO, MICA, 700-HP, and 600-HP (except in MILO front-bottom positions - see 134.022) | \$ 50    |
| 134.025  | QRP Red Button-Head w/Lanyard, 5/16" X 0.875"   | \$ 50    |
| 134.038  | Black Flat Head, 3/8" X 1.125", low profile model, removal tool 134.037 needed  | \$ 60    |
| 40.147.036.01                                      | Threaded Pin Replacement Kit, used in rigging frames to adjust links and keep them captive  | \$ 40    |
| 40.149.006.01                                      | Grille Frame Assembly, for 600-HP   | \$ 470   |
| 40.149.006.02                                      | W/P Grille Frame Assembly, weather-protected  | \$ 580   |
| 40.149.011.01                                      | MRF-600 Upgrade Rigging Kit, includes LEFT and RIGHT rigging frames   | \$ 2,380 |
| 40.149.023.03                                      | 600-HP Side Panel Handle Kit, includes LEFT and RIGHT panels  | \$ 380   |
| 40.149.035.01                                      | MRF-600/L, LEFT rigging frame replacement kit, as viewed from the front, includes FRONT and REAR GuideALinks                          | \$ 1,170 |
| 40.149.035.02                                      | MRF-600/R, RIGHT rigging frame replacement kit, as viewed from the front, includes FRONT and REAR GuideALinks                         | \$ 1,170 |
| 40.149.036.01                                      | UW Grille Frame Kit, ultra weather-protected  | \$ 630   |
| 61.147.040.01                                      | MG-MICA, replacement FRONT link for MG-MICA grid  | \$ 110   |
| 61.147.042.01                                      | MG-MICA, replacement rREAR link for MG-MICA grid  | \$ 130   |
| <b>700-HP</b>                                      | Large array subwoofer for applications where high power is required. Pairs with MICA systems.   |          |
| <b>700-HP Amplifiers, Electronics &amp; Cables</b> |   |          |
| 28.010.001.04                                      | Speaker Cable, 10m, 14-gauge, 4-conductor jacketed, EP 4 male and female  | \$ 230   |
| 28.010.001.05                                      | Speaker Cable, 25m, 14-gauge, 4-conductor jacketed, EP 4 male and female  | \$ 280   |
| 40.033.002.01                                      | PSB-HP/MP/MPW, power supply board universal to all HP, MP, and MPW amplifiers   | \$ 520   |
| 40.033.014.01                                      | PSC-HP-2/MP-2, power supply assembly - includes chassis, MP transformer, and power supply board                                       | \$ 1,630 |
| 40.033.019.01                                      | HP/MP AC Mains PCBA, circuit board assembly, universal to all HP, MP, MPW, and LYON amplifiers  | \$ 360   |
| 40.033.042.38                                      | CBA-700-HP, TPL control board   | \$ 620   |
| 40.033.045.86                                      | HP-2/700-HP, IEC-309, TPL, RMS amplifier  | \$ 4,780 |
| 40.033.045.87                                      | HP-2/700-HP, L6-20, TPL, RMS amplifier  | \$ 4,780 |
| 40.033.045.88                                      | HP-2/700-HP, VEAM, TPL, RMS amplifier   | \$ 4,960 |
| 40.033.045.99                                      | HP-2/700-HP, IEC-309, TPL, RMS 5-pin amplifier  | \$ 4,780 |
| 40.033.063.46                                      | HP-2/700-HP, L6-20, TPL, amplifier  | \$ 4,250 |
| 40.033.063.47                                      | HP-2/700-HP, IEC-309, TPL, amplifier  | \$ 4,250 |



# Replacement Parts, Rigging, and Product Services

Prices Effective February 1, 2016



|   |   |          |
|---|---|----------|
| 40.033.063.48                                       | HP-2/700-HP, VEAM, TPL, amplifier   | \$ 4,440 |
| 40.033.063.55                                       | HP-2/700-HP, PowerCON, TPL amplifier  | \$ 4,250 |
| 40.033.071.01                                       | HP/MP RMS, communication board upgrade/replacement, universal to all HP, MP, and MPW amplifiers                                       | \$ 520   |
| 40.033.245.88                                       | HP-2/700-HP, VEAM, UWP TPL, RMS amplifier   | \$ 5,540 |
| 40.033.327.01                                       | AHA-HP-2/4, amplifier/heatsink assembly TOP module used in M2D-Sub, 700-HP, 600-HP, MILO, M3D/M3D-Sub TOP, and Acheron LF             | \$ 1,080 |
| 40.033.340.02                                       | RUP-HP-2/V, user panel for HP-2, VEAM connector, 10-amp breakers for 700-HP, 600-HP, and M2D-Sub                                      | \$ 730   |
| 40.033.340.03                                       | RUP-HP-2/L, user panel for HP-2, L6-20 connector, 10-amp breakers for 700-HP, 600-HP, and Acheron LF                                  | \$ 520   |
| 40.033.340.04                                       | RUP-HP-2/I, user panel for HP-2, IEC-309 connector, 10-amp breakers for 700-HP, 600-HP, and Acheron LF                                | \$ 520   |
| 40.033.348.01                                       | RUP-HP-2/4/L, input board, XLR, L6-20 user panel, no pol. switch  | \$ 120   |
| 40.033.348.02                                       | RUP-HP-2/4/I-V, input board, XLR, IEC-309/VEAM user panel, no pol. switch   | \$ 120   |
| <b>700-HP Drivers &amp; Horns</b>                   |   |          |
| 40.010.037.01                                       | Gaskets, for 18-inch drivers  | \$ 30    |
| 40.125.001.02                                       | ST-418A, 4-ohm, 18-inch neodymium magnet driver   | \$ 1,040 |
| <b>700-HP Rainhoods, Fans &amp; Misc.</b>           |   |          |
| 40.033.128.01                                       | QRH-HP/MP, quick-clip transparent, removable rigid rainhood kit - fits all HP/MP self-powered loudspeakers except MICA and PSM-2      | \$ 280   |
| 40.033.128.05                                       | QRH-HP/MP, HP/MP replacement quick-clip rainhood - rainhood only, requires frame  | \$ 230   |
| 40.033.128.06                                       | HP/MP Rplcmnt Quick-Clip Mounting Frame, frame only   | \$ 60    |
| 40.105.034.01                                       | CRH-HP/MP, cloth collapsible rainhood kit - fits all HP/MP self-powered loudspeakers except MICA and PSM-2                            | \$ 280   |
| 61.137.092.01                                       | Replacement Skid, for 700-HP  | \$ 60    |
| 712.011   | Replacement Caster, grey, 5-inch solid caster   | \$ 90    |
| <b>700-HP Rigging &amp; Cabinet Components</b>      |   |          |
| 134.021   | QRP Blue Button-Head, 3/8" X 1.125", used in all MILO, MICA, 700-HP, and 600-HP (except in MILO front-bottom positions - see 134.022) | \$ 50    |
| 134.038   | Black Flat Head, 3/8" X 1.125", low profile model, removal tool 134.037 needed  | \$ 60    |
| 40.137.006.01                                       | MRK-700, upgrade rigging kit - includes the rigging bars, links, and pins necessary to fly the 700-HP                                 | \$ 1,260 |
| 40.137.055.01                                       | Grille Frame Assembly, for 700-HP   | \$ 470   |
| 40.137.055.02                                       | W/P Grille Frame Assembly, weather-protected  | \$ 580   |
| 61.137.012.01                                       | MTG-700 Rigging Link, to be used only with the MTG-700  | \$ 130   |
| 61.137.015.01                                       | Rigging Straight Link, to be used only with the 700-HP  | \$ 120   |
| <b>M1D-Sub</b>                                      | Small array subwoofer for applications where space is at a premium.   |          |
| <b>M1D-Sub Amplifiers, Electronics &amp; Cables</b> |   |          |
| 40.084.008.01                                       | RMS Replacement/Upgrade Kit, comm board service kit   | \$ 520   |
| 40.084.017.01                                       | AIM, 3-pin audio input module w/looping   | \$ 370   |
| 40.084.041.05                                       | CBA-M1D-SUB, control board  | \$ 620   |
| 40.084.080.01                                       | AIM, 5-pin audio input module w/looping   | \$ 440   |
| 40.115.004.01                                       | AHA-M1D, amplifier/heatsink assembly - includes amplifier and power supply  | \$ 1,500 |
| <b>M1D-Sub Drivers &amp; Horns</b>                  |   |          |
| 40.126.001.01                                       | ST-410N, 4-ohm, 10-inch neodymium magnet driver   | \$ 370   |
| 67.552.019.02                                       | Gasket, for 10-inch drivers   | \$ 5     |
| <b>M1D-Sub Rainhoods, Fans &amp; Misc.</b>          |   |          |
| 40.084.102.01                                       | Replacement Fan, for M1D, M1D-Sub, UPJ-1P, UPJunior, UPQ-1/2P, JM-1P, and 500-HP amplifier/heatsink                                   | \$ 40    |
| 40.116.035.01                                       | RH-M1D-SUB, rainhood kit  | \$ 470   |
| <b>M1D-Sub Rigging &amp; Cabinet Components</b>     |   |          |
| 134.020   | QRP Button-Head, 5/16" X 1.25"  | \$ 40    |
| 134.031   | Black Flat Head, 5/16" X 1.25", low profile model, removal tool 134.037 needed  | \$ 50    |
| 134.037   | Low Profile Quick Pin Removal Tool, needed to install and remove low profile pins 134.030 and 134.031                                 | \$ 50    |
| 40.116.023.01                                       | Grille Frame Replacement, for M1D-Sub   | \$ 340   |
| 61.115.016.01                                       | M1D/M1D-Sub Connecting Link, used when connecting M1D/M1D-Sub to another M1D/M1D-Sub  | \$ 120   |
| 61.115.112.01                                       | M1D Grid Connecting Link, used when connecting MTG-1D grid or MG-1D grid to M1D/M1D-Sub   | \$ 230   |

# Replacement Parts, Rigging, and Product Services

Prices Effective February 1, 2016



|   |   |          |
|---|---|----------|
| <b>MM-10</b>                                      | Miniature subwoofer for installations and distributed systems. Available with IntelligentDC or AC power. Pairs with UP-4XP and MM-4XP loudspeakers.                               |          |
| <b>MM-10 Amplifiers, Electronics &amp; Cables</b> |   |          |
| 28.163.009.01                                     | CBL-EN3-PT, EN-3 5-pin female to pigtail - regular cable black jacket   | \$ 50    |
| 28.163.009.11                                     | CBL-EN3-PT, EN-3 5-pin female to pigtail - plenum rated cable white jacket  | \$ 60    |
| 28.163.033.01                                     | Female-to-Male Cable Coupler, EN-3 5-pin  | \$ 60    |
| 40.199.055.01                                     | RUP-MM-10XP/E, replacement user panel for MM-10XP with EN-3 5-pin connector   | \$ 320   |
| 40.199.055.02                                     | RUP-MM-10XP/P, replacement user panel for MM-10XP with Phoenix 5-pin connector  | \$ 320   |
| 40.199.055.03                                     | RUP-MM-10AC, replacement user panel for MM-10AC   | \$ 430   |
| 40.199.055.04                                     | RUP-MM-10ACX/E, replacement user panel for MM-10ACX with EN-3 5-pin connector on satellite outputs  | \$ 600   |
| 40.199.055.05                                     | RUP-MM-10ACX/P, replacement user panel for MM-10ACX with Phoenix 5-pin connector on satellite outputs   | \$ 600   |
| 40.199.064.01                                     | PSB-MM-10/MPS, replacement power supply module  | \$ 320   |
| 40.199.077.01                                     | AHA-MM-10, amplifier/heatsink assembly, does not include power supply, includes harness 28.199.076.01   | \$ 850   |
| 40.199.078.01                                     | AHA-MM-10, amplifier/heatsink assembly for MM-10XP, MM-10AC, and MM-10ACX - does not include any power supply   | \$ 830   |
| 40.199.079.01                                     | PSB-MM-10ACX, replacement power supply module - used for MM-10ACX (1 per unit, S.N. 11030001 and above)   | \$ 350   |
| 468.069   | EN-3 5-pin Plug #20, connects to the MM-4XP, UP-4XP, and MM-10XP loudspeaker connectors (an EN-3 5-pin male panel mount connector)  | \$ 30    |
| 484.065   | Female Cable-Mount Connector, Phoenix 5-pin   | \$ 30    |
| <b>MM-10 Drivers &amp; Horns</b>                  |   |          |
| 40.126.001.01                                     | ST-410N, 4-ohm, 10-inch neodymium magnet driver   | \$ 370   |
| 67.552.019.02                                     | Gasket, for 10-inch drivers   | \$ 5     |
| <b>MM-10 Rainhoods, Fans &amp; Misc.</b>          |   |          |
| 40.174.015.01                                     | QHRH-MM-10, horizontal quick-pin transparent, removable rigid rainhood kit  | \$ 280   |
| 40.174.015.02                                     | QVRH-MM-10, vertical quick-pin transparent, removable rigid rainhood kit  | \$ 280   |
| <b>MM-10 Rigging &amp; Cabinet Components</b>     |   |          |
| 124.098   | M10 Knob Screw, 20mm long and washer  | \$ 30    |
| 40.010.070.01                                     | Nut Plate Kit w/Screws, 3/8"-16   | \$ 40    |
| 40.010.070.02                                     | Nut Plate Kit w/Screws, M10x15  | \$ 40    |
| 40.174.006.01                                     | Grille Frame w/Black Mesh & Logo Plate, for MM-10   | \$ 230   |
| 40.174.006.02                                     | W/P Grille Frame, black mesh, internal foam, and logo plate, only for weather-protected loudspeakers  | \$ 290   |
| <b>UMS</b>  | Small subwoofer for applications such as portable systems, home theatres, or mix suites. Available with IntelligentDC or AC power. Pairs with UPM loudspeakers and HD-1 monitors. |          |
| <b>UMS Amplifiers, Electronics &amp; Cables</b>   |   |          |
| 28.010.001.04                                     | Speaker Cable, 10m, 14-gauge, 4-conductor jacketed, EP 4 male and female  | \$ 230   |
| 28.010.001.05                                     | Speaker Cable, 25m, 14-gauge, 4-conductor jacketed, EP 4 male and female  | \$ 280   |
| 28.163.009.01                                     | CBL-EN3-PT, EN-3 5-pin female to pigtail - regular cable black jacket   | \$ 50    |
| 28.163.009.11                                     | CBL-EN3-PT, EN-3 5-pin female to pigtail - plenum rated cable white jacket  | \$ 60    |
| 40.084.008.01                                     | RMS Replacement/Upgrade Kit, comm board service kit   | \$ 520   |
| 40.084.010.01                                     | AHA-UMS/UPM, amplifier/heatsink assembly - includes amplifier and power supply  | \$ 1,330 |
| 40.084.010.02                                     | AHA-UMS/UPM, amplifier/heatsink assembly (100V version) - includes amplifier and power supply   | \$ 1,330 |
| 40.084.017.01                                     | AIM, 3-pin audio input module w/looping   | \$ 370   |
| 40.084.017.02                                     | AIM, audio input module with looping, attenuation, and polarity   | \$ 440   |
| 40.084.017.05                                     | AIM-500-HP/UMS-1P, audio input module with attenuation, polarity, and summing mono  | \$ 440   |
| 40.084.018.01                                     | Blank Plate, installed in place of RMS board  | \$ 80    |
| 40.084.041.02                                     | CBA-UMS-1P, control board   | \$ 620   |
| 40.084.080.01                                     | AIM, 5-pin audio input module w/looping   | \$ 440   |
| 40.084.150.01                                     | DX Input Board, Phoenix 5-pin connector   | \$ 290   |
| 40.084.151.01                                     | DX Input Board, EN-3 5-pin connector  | \$ 290   |
| 40.084.152.01                                     | DX Input Board, ECOM 7-pin connector  | \$ 290   |
| 40.196.016.01                                     | AHA-DX, amplifier/heatsink assembly module  | \$ 1,060 |
| 468.081   | Female Cable-Mount Connector, ECOM 7-pin  | \$ 40    |

# Replacement Parts, Rigging, and Product Services

Prices Effective February 1, 2016



| <b>UMS Drivers &amp; Horns</b>                  |   |          |
|---|---|----------|
| 40.126.001.01                                   | ST-410N, 4-ohm, 10-inch neodymium magnet driver   | \$ 370   |
| 67.552.019.02                                   | Gasket, for 10-inch drivers   | \$ 5     |
| <b>UMS Rainhoods, Fans &amp; Misc.</b>          |   |          |
| 40.196.062.01                                   | HRH-XP, XP horizontal rainhood kit - to be used with horizontally-mounted UPM-1/2XP, UPJ-1XP, UPJunior-XP, and UMS-1XP              | \$ 150   |
| 40.196.062.02                                   | VRH-XP, XP vertical rainhood kit - to be used with vertically-mounted UPM-1/2XP, UPJ-1XP, UPJunior-XP, and UMS-1XP                  | \$ 150   |
| <b>UMS Rigging &amp; Cabinet Components</b>     |   |          |
| 40.076.042.01                                   | Grille Frame w/Foam & Logo Plate, for UM-1P, UM-100P, and UMS-1P, traditional   | \$ 240   |
| 40.076.045.01                                   | Grille Foam w/Logo Plate, for UMS-1P and UM-1/100P  | \$ 50    |
| 40.086.110.01                                   | MUB-UMS, U-bracket - for UMS-SM (M10 hardware)  | \$ 230   |
| 40.086.115.01                                   | Grille Frame Upgrade Kit, V2, for UMS   | \$ 240   |
| <b>USW</b>                                      | Mid-sized subwoofer for applications including concert halls, theatres, and houses of worship. Pairs with UPA and UPJ loudspeakers. |          |
| <b>USW Amplifiers, Electronics &amp; Cables</b> |   |          |
| 28.010.001.04                                   | Speaker Cable, 10m, 14-gauge, 4-conductor jacketed, EP 4 male and female  | \$ 230   |
| 28.010.001.05                                   | Speaker Cable, 25m, 14-gauge, 4-conductor jacketed, EP 4 male and female  | \$ 280   |
| 40.076.010.03                                   | CBA-USW-1P, control board   | \$ 620   |
| 40.076.023.01                                   | UX Power Supply Module, PowerCON connector  | \$ 1,460 |
| 40.076.023.02                                   | UX Power Supply Module, VEAM connector  | \$ 1,660 |
| 40.076.024.01                                   | AIM-UX, audio input module with looping   | \$ 370   |
| 40.076.025.01                                   | AIM-UX, audio input module with looping, attenuation, and polarity  | \$ 440   |
| 40.076.026.01                                   | AIM-UX, audio input module with attenuation, polarity, and summing mono   | \$ 440   |
| 40.076.027.01                                   | AHA-UX, amplifier/heatsink module   | \$ 1,620 |
| 40.076.028.01                                   | RMS Replacement/Upgrade Kit, for Acheron Studio, M2D, UPA-1P/2P, UM-1P/100P, USM-1P/100P, and USW-1P                                | \$ 520   |
| 40.076.029.01                                   | UX Blank Plate, installed in place of RMS board   | \$ 80    |
| 40.076.121.01                                   | AIM-UX, audio input module with looping, 5-pin XLR  | \$ 440   |
| <b>USW Drivers &amp; Horns</b>                  |   |          |
| 40.056.100.01                                   | USW-1 Replacement ST Driver Spacer Ring, needed to fit ST-815 flush mounted into USW-1 loudspeakers                                 | \$ 50    |
| 40.113.001.01                                   | ST-815, 8-ohm, 15-inch driver   | \$ 610   |
| 40.121.001.01                                   | ST-415, 4-ohm, 15-inch driver   | \$ 610   |
| 67.056.014.01                                   | Gasket, for 15-inch drivers   | \$ 10    |
| <b>USW Rainhoods, Fans &amp; Misc.</b>          |   |          |
| 40.054.044.01                                   | UX Power Supply Replacement Fan, large connector, S/N between 9801xxxx and 0002xxxx   | \$ 40    |
| 40.076.052.01                                   | ECF-UX, UX external cooling fan kit   | \$ 130   |
| 40.076.053.01                                   | RH-UX, UX rigid plastic rainhood kit  | \$ 90    |
| <b>USW Rigging &amp; Cabinet Components</b>     |   |          |
| 40.010.036.01                                   | Nut Plate Kit w/Screws, 3/8"-16   | \$ 40    |
| 40.056.038.01                                   | Grille Foam w/Logo Plate, for USW-1P and USW-1  | \$ 70    |
| 40.056.039.01                                   | Grille Frame w/Foam & Logo Plate, for USW-1P and USW-1, traditional   | \$ 310   |
| 40.056.044.01                                   | Grille Frame w/Black Mesh & Logo Plate, for USW-1P  | \$ 330   |
| 40.056.044.02                                   | W/P Grille Frame Upgrade Kit, black mesh and logo plate, weather-protected, new style   | \$ 390   |
| 40.076.117.01                                   | Dampened Handle Cup & Bar Side Mount, black   | \$ 40    |

# Replacement Parts, Rigging, and Product Services

Prices Effective February 1, 2016



## ULTRA

The ULTRA series encompasses a broad range of point-source, full-range loudspeakers suited for a variety of applications. All loudspeakers are self-powered, either by direct AC line connection or by using Meyer Sound's IntelligentDC remote powering technology (indicated by the XP suffix). The Ultra series includes scalable solutions with trapezoidal cabinets for portable or installed applications, ceiling loudspeakers for distributed systems, and high-power stage monitors.

**JM-1P** Arrayable point-source loudspeaker for applications that require precisely-controlled horizontal coverage. Pairs with 700-HP subwoofer, 1100-LFC, or 900-LFC low-frequency control elements. Serves as main system or as center fill or side fill for larger systems.

### JM-1P Amplifiers, Electronics & Cables

|               |   |          |
|---------------|---|----------|
| 40.084.008.01 | RMS Replacement/Upgrade Kit, comm board service kit   | \$ 520   |
| 40.084.017.01 | AIM, 3-pin audio input module w/looping   | \$ 370   |
| 40.084.018.01 | Blank Plate, installed in place of RMS board  | \$ 80    |
| 40.084.080.01 | AIM, 5-pin audio input module w/looping   | \$ 440   |
| 40.152.015.03 | AHA-JM/MJF/UPQ, amplifier/heatsink assembly dual FET wide module  | \$ 580   |
| 40.152.016.10 | CBA-JM-1P, control board  | \$ 620   |
| 40.152.033.01 | AC Mains Board, for JM-1P, M'elodie, MJF-212A, UPQ-1P/2P, and 500-HP  | \$ 360   |
| 40.152.048.01 | PSB-500-HP/JM/M'elodie/MJF/UPQ, power supply board  | \$ 520   |
| 40.185.118.01 | AHA-500-HP/JM/UPQ, amplifier/heatsink assembly dual FET long module w/QuietCool fan. Amplifier module only.                                   | \$ 800   |
| 40.185.120.01 | AHA-500-HP/JM/UPQ, amplifier/heatsink assembly dual FET long module w/QuietCool fan. Complete assembly. Includes AC main/power supply boards. | \$ 1,690 |

### JM-1P Drivers & Horns \*Exchange price reflects credit given upon receipt of rebuildable driver of same model

|               |  |          |
|---------------|--|----------|
| 40.071.253.02 | MS-2010L, 4-inch diaphragm driver  | \$ 1,940 |
| 40.071.253.61 | MS-2010L, exchange driver* for MS-2010L  | \$ 540   |
| 40.122.001.04 | ST-215A, 2-ohm, 15-inch, neodymium magnet - used ONLY for HMS-15(AC), JM-1P, and UPQ-1P/2P | \$ 900   |
| 67.056.014.01 | Gasket, for 15-inch drivers  | \$ 10    |

### JM-1P Rainhoods, Fans & Misc.

|               |   |        |
|---------------|---|--------|
| 40.084.102.01 | Replacement Fan, for M1D, M1D-Sub, UPJ-1P, UPJunior, UPQ-1/2P, JM-1P, and 500-HP amplifier/heatsink                                       | \$ 40  |
| 40.185.084.02 | HRH-JM/UPQ, horizontal rainhood kit   | \$ 430 |
| 40.202.057.01 | JM-1P Skid Kit, high impact plastic skids to help protect the bottom of the JM-1P. Required for easy mounting of the JM-1P on the MFDJM1. | \$ 90  |
| 712.013       | Replacement Caster, 4-inch solid caster   | \$ 50  |

### JM-1P Rigging & Cabinet Components

|               |   |        |
|---------------|---|--------|
| 124.098       | M10 Knob Screw, 20mm long and washer  | \$ 30  |
| 134.029       | QRP Black Button-Head, 1/4" X 0.90"   | \$ 40  |
| 134.036       | QRP Red Button-Head w/Lanyard, 1/4" X 0.90"   | \$ 50  |
| 40.202.006.01 | Grille Frame Replacement Kit, with black mesh and logo plate  | \$ 370 |
| 40.202.006.02 | W/P Grille Frame Replacement Kit, with black mesh, internal foam, and logo plate, only for weather-protected loudspeakers | \$ 440 |
| 40.202.056.01 | MRP-JM1, TOP FRONT rigging plate replacement kit - includes assembly with plate and GuideALink assembled                  | \$ 480 |
| 40.202.056.02 | MRP-JM1, TOP REAR rigging plate replacement kit - includes assembly with plate and GuideALink assembled                   | \$ 370 |
| 40.202.056.03 | MRP-JM1, BOTTOM FRONT rigging plate replacement kit - includes assembly with plate and GuideALink assembled               | \$ 480 |
| 40.202.056.04 | MRP-JM1, BOTTOM REAR rigging plate replacement kit - includes assembly with plate and GuideALink assembled                | \$ 370 |

**MJF** High-fidelity stage monitor with low-profile wedge design, high power-to-weight ratio, and focused coverage. Available in two sizes.

### MJF Amplifiers, Electronics & Cables

|               |  |        |
|---------------|--|--------|
| 28.010.001.04 | Speaker Cable, 10m, 14-gauge, 4-conductor jacketed, EP 4 male and female | \$ 230 |
| 28.010.001.05 | Speaker Cable, 25m, 14-gauge, 4-conductor jacketed, EP 4 male and female | \$ 280 |
| 40.084.008.01 | RMS Replacement/Upgrade Kit, comm board service kit                      | \$ 520 |
| 40.084.017.01 | AIM, 3-pin audio input module w/looping                                  | \$ 370 |
| 40.084.017.02 | AIM, audio input module with looping, attenuation, and polarity          | \$ 440 |
| 40.084.018.01 | Blank Plate, installed in place of RMS board                             | \$ 80  |

# Replacement Parts, Rigging, and Product Services

Prices Effective February 1, 2016



|   |  |          |
|---|--|----------|
| 40.084.080.01   | AIM, 5-pin audio input module w/looping  | \$ 440   |
| 40.152.015.01   | AHA-M'elodie/MJF/W, amplifier/heatsink assembly WIDE module - used in M'elodie and MJF-212 for LOW drivers   | \$ 540   |
| 40.152.015.02   | AHA-M'elodie/MJF/N, amplifier/heatsink assembly NARROW module used in M'elodie, MJF-212, and MJF-212A for HIGH driver  | \$ 540   |
| 40.152.015.03   | AHA-JM/MJF/UPQ, amplifier/heatsink assembly dual FET wide module   | \$ 580   |
| 40.152.033.01   | AC Mains Board, for JM-1P, M'elodie, MJF-212A, UPQ-1P/2P, and 500-HP   | \$ 360   |
| 40.152.040.01   | PowerCON AC Panel, for M'elodie and MJF-212A   | \$ 160   |
| 40.152.048.01   | PSB-500-HP/JM/M'elodie/MJF/UPQ, power supply board   | \$ 520   |
| 40.157.016.02   | CBA-MJF-212A, control board - *for upgrades from MJF-212 to MJF-212A please consult factory  | \$ 620   |
| 40.196.014.01   | DX Audio Input Board, 3-pin XLR connector with loop out  | \$ 290   |
| 40.196.014.02   | DX Audio Input Board, 5-pin XLR connector with loop out  | \$ 290   |
| 40.196.016.01   | AHA-DX, amplifier/heatsink assembly module   | \$ 1,060 |
| 40.196.025.01   | DX RMS Board, for LYON, MINA, and MJF-210  | \$ 520   |
| 40.207.017.01   | RUP-DX, amplifier and user panel assembly module, includes DX amplifier/heatsink, audio input, and RMS boards  | \$ 1,920 |
| 40.207.027.01   | Power Supply, for MINA and MJF-210   | \$ 960   |
| <b>MJF Drivers &amp; Horns</b> *Exchange price reflects credit given upon receipt of rebuildable driver of same model |  |          |
| 40.044.010.01   | Replacement High Horns, for PSM-2 and MJF-212A   | \$ 640   |
| 40.071.194.01   | MS-2010C, 4-inch diaphragm driver  | \$ 1,940 |
| 40.071.194.51   | MS-2010C, exchange driver* for MS-2010C  | \$ 540   |
| 40.071.253.02   | MS-2010L, 4-inch diaphragm driver  | \$ 1,940 |
| 40.071.253.61   | MS-2010L, exchange driver* for MS-2010L  | \$ 540   |
| 40.126.001.02   | ST-410HP, 4-ohm, 10-inch high-power neodymium magnet   | \$ 440   |
| 40.130.001.01   | ST-412N, 4-ohm, 12-inch neodymium magnet driver  | \$ 850   |
| 40.130.100.01   | ST-212A, 2-ohm, 12-inch neodymium magnet driver used only for MJF-212A - for upgrades from to MJF-212A please consult factory.   | \$ 850   |
| 67.051.038.01   | Gasket, for 12-inch drivers  | \$ 5     |
| 67.552.019.02   | Gasket, for 10-inch drivers  | \$ 5     |
| <b>MJF Rainhoods, Fans &amp; Misc.</b>  |  |          |
| 66.157.011.01   | Replacement Skid, for MJF-212A   | \$ 60    |
| <b>MJF Rigging &amp; Cabinet Components</b>   |  |          |
| 40.115.023.01   | Logo Plates, for M Series, UPJ-1P/UPJunior, and MJF-212/A  | \$ 10    |
| 40.157.006.01   | Grille Frame Assembly, for MJF-212/A   | \$ 440   |
| <b>MM-4XP</b>   | Miniature loudspeaker for installations and distributed systems. Available in regular and hypercardioid directional versions. IntelligentDC power. Pairs with the MM-10 subwoofer. Provides fill and spot coverage for larger systems. |          |
| <b>MM-4XP Amplifiers, Electronics &amp; Cables</b>  |  |          |
| 28.163.009.01   | CBL-EN3-PT, EN-3 5-pin female to pigtail - regular cable black jacket  | \$ 50    |
| 28.163.009.11   | CBL-EN3-PT, EN-3 5-pin female to pigtail - plenum rated cable white jacket   | \$ 60    |
| 28.163.033.01   | Female-to-Male Cable Coupler, EN-3 5-pin   | \$ 60    |
| 40.163.022.01   | MM Amplifier Module - Black, for MM-4XP and MM-4XPV  | \$ 680   |
| 40.163.022.02   | MM Amplifier Module - White, for MM-4XP and MM-4XPV  | \$ 680   |
| 40.204.022.01   | MM Amplifier Module - Black, for MM-4XPD, black only   | \$ 680   |
| 468.053   | MM-4 W/P Female Cable-mount Connector, EN-3 2-pin female cable-mount connector   | \$ 30    |
| 468.066   | MM-4 W/P Male Cable-mount Connector, EN-3 2-pin male cable-mount connector   | \$ 30    |
| 468.069   | EN-3 5-pin Plug #20, connects to the MM-4XP, UP-4XP, and MM-10XP loudspeaker connectors (an EN-3 5-pin male panel mount connector)   | \$ 30    |
| 484.056   | MM-4 Cable-mount Connector, 2-pin green Phoenix connector  | \$ 10    |
| <b>MM-4XP Drivers &amp; Horns</b>   |  |          |
| 40.091.034.01   | ST-164, 16-ohm, 4-inch driver  | \$ 150   |
| 40.163.026.01   | ST-44, 4-ohm, 4-inch driver  | \$ 150   |
| 67.091.037.01   | Gaskets, for MM-4 driver   | \$ 2     |
| <b>MM-4XP Rigging &amp; Cabinet Components</b>  |  |          |
| 40.163.031.02   | W/P Metallic Grille Frame - Black, weather-protected   | \$ 40    |
| 40.163.031.03   | W/P Metallic Grille Frame - White, weather-protected   | \$ 40    |

# Replacement Parts, Rigging, and Product Services

Prices Effective February 1, 2016



|   |   |          |
|---|---|----------|
| <b>Stella</b>   | Ceiling-mount loudspeaker for distributed installations. Available in two sizes. DC powered with the Stella-188 Power Supply.   |          |
| <b>Stella Amplifiers, Electronics &amp; Cables</b>  |   |          |
| 484.065   | Female Cable-Mount Connector, Phoenix 5-pin   | \$ 30    |
| <b>Stella Drivers &amp; Horns</b>   |   |          |
| 40.143.001.01   | ST-48C, 8-inch coaxial replacement drivers for Stella 8C  | \$ 520   |
| <b>Stella Rigging &amp; Cabinet Components</b>  |   |          |
| 40.161.080.01   | Ceiling Mount Black Grille Frame, for Stella 4C and 8C  | \$ 80    |
| 40.161.080.02   | Ceiling Mount White Grille Frame, for Stella 4C and 8C  | \$ 80    |
| <b>UP-4XP</b>   | Small point-source loudspeaker for applications such as front or under-balcony fill and portable PA systems. IntelligentDC power. Pairs with the MM-10 subwoofer.                                   |          |
| <b>UP-4XP Amplifiers, Electronics &amp; Cables</b>  |   |          |
| 28.163.009.01   | CBL-EN3-PT, EN-3 5-pin female to pigtail - regular cable black jacket   | \$ 50    |
| 28.163.009.11   | CBL-EN3-PT, EN-3 5-pin female to pigtail - plenum rated cable white jacket  | \$ 60    |
| 28.163.033.01   | Female-to-Male Cable Coupler, EN-3 5-pin  | \$ 60    |
| 40.196.012.01   | UP-4XP DX Input Board, EN-3 5-pin connector   | \$ 290   |
| 40.196.013.01   | UP-4XP DX Input Board, Phoenix 5-pin connector  | \$ 290   |
| 40.196.016.01   | AHA-DX, amplifier/heatsink assembly module  | \$ 1,060 |
| 468.069   | EN-3 5-pin Plug #20, connects to the MM-4XP, UP-4XP, and MM-10XP loudspeaker connectors (an EN-3 5-pin male panel mount connector)  | \$ 30    |
| 484.065   | Female Cable-Mount Connector, Phoenix 5-pin   | \$ 30    |
| <b>UP-4XP Drivers &amp; Horns</b>   |   |          |
| 40.030.008.02   | UPM-1P Tweeter, 1-inch metal dome tweeter   | \$ 150   |
| 40.163.026.01   | ST-44, 4-ohm, 4-inch driver   | \$ 150   |
| <b>UP-4XP Rigging &amp; Cabinet Components</b>  |   |          |
| 124.098   | M10 Knob Screw, 20mm long and washer  | \$ 30    |
| 40.010.070.01   | Nut Plate Kit w/Screws, 3/8"-16   | \$ 40    |
| 40.010.070.02   | Nut Plate Kit w/Screws, M10x15  | \$ 40    |
| 40.201.006.01   | Grille Frame Replacement Kit, black mesh and logo plate   | \$ 160   |
| 40.201.006.02   | W/P Grille Frame Replacement Kit, black mesh, internal foam, and logo plate, only for weather-protected loudspeakers  | \$ 270   |
| <b>UPA</b>  | Mid-sized point-source loudspeaker for applications including small concert halls, clubs, and theatres. Available in wide and narrow coverage configurations. Pairs with the USW compact subwoofer. |          |
| <b>UPA Amplifiers, Electronics &amp; Cables</b>   |   |          |
| 40.076.010.01   | CBA-UPA-1P/UM-100P, control board   | \$ 620   |
| 40.076.010.04   | CBA-UPA-2P/UM-1P, control board   | \$ 620   |
| 40.076.023.01   | UX Power Supply Module, PowerCON connector  | \$ 1,460 |
| 40.076.023.02   | UX Power Supply Module, VEAM connector  | \$ 1,660 |
| 40.076.024.01   | AIM-UX, audio input module with looping   | \$ 370   |
| 40.076.025.01   | AIM-UX, audio input module with looping, attenuation, and polarity  | \$ 440   |
| 40.076.026.01   | AIM-UX, audio input module with attenuation, polarity, and summing mono   | \$ 440   |
| 40.076.027.01   | AHA-UX, amplifier/heatsink module   | \$ 1,620 |
| 40.076.028.01   | RMS Replacement/Upgrade Kit, for Acheron Studio, M2D, UPA-1P/2P, UM-1P/100P, USM-1P/100P, and USW-1P  | \$ 520   |
| 40.076.029.01   | UX Blank Plate, installed in place of RMS board   | \$ 80    |
| 40.076.121.01   | AIM-UX, audio input module with looping, 5-pin XLR  | \$ 440   |
| <b>UPA Drivers &amp; Horns</b> *Exchange price reflects credit given upon receipt of rebuildable driver of same model |   |          |
| 40.010.047.01   | Replacement High Horns, for UPA-1(A/B/C)  | \$ 240   |
| 40.010.149.01   | MS-412, 4-ohm, 12-inch driver   | \$ 520   |
| 40.051.192.03   | MS-1401M Kit, 3-inch diaphragm, 1.4-inch exit driver - includes M Network   | \$ 990   |
| 40.052.106.01   | UPA-1A to UPA-1C w/MS-1401M, upgrade kit from UPA-1A using MS-1401A driver to UPA-1C  | \$ 1,130 |
| 40.052.107.01   | UPA-1B to UPA-1C w/MS1401B, upgrade kit from UPA-1B (using MS1401B driver) to UPA-1C keeping the same driver  | \$ 320   |
| 40.052.107.02   | UPA-1B to UPA-1CMS-1401M, upgrade kit from UPA-1B (using MS1401B driver) to UPA-1C changing the driver  | \$ 1,130 |

# Replacement Parts, Rigging, and Product Services

Prices Effective February 1, 2016



|   |  |          |
|---|--|----------|
| 40.076.037.01   | MS-1401M, 3-inch diaphragm 1.4-inch exit driver  | \$ 990   |
| 40.076.050.01   | Replacement High Horn, for UPA-1P,UM-100P, and USM-100P  | \$ 390   |
| 40.076.051.01   | Replacement High Horn, for UPA-2P, UPA-2C, UM-1P, and USM-1P   | \$ 390   |
| 40.107.013.01   | ST-812, 8-ohm, 12-inch driver - equivalent to MS-812   | \$ 520   |
| 40.107.081.01   | ST-212, 2-ohm, 12-inch driver - equivalent to MS-212   | \$ 520   |
| 45.051.147.51   | MS-1401M, exchange driver* for MS-1401M  | \$ 500   |
| 67.051.038.01   | Gasket, for 12-inch drivers  | \$ 5     |
| 67.052.025.01   | Gaskets, for UPA-1(A/B/C) high horn  | \$ 5     |
| 67.552.019.03   | Gasket, for UPA-2P, UPA-2C, UM-1P, and USM-1P high horn  | \$ 5     |
| 724.011   | Gasket, for UPA-1P, UM-100P, and USM-100P high horn (per roll of 35 ft, 1 roll minimum, sold by roll ONLY)   | \$ 30    |
| <b>UPA Rainhoods, Fans &amp; Misc.</b>  |  |          |
| 40.054.044.01   | UX Power Supply Replacement Fan, large connector, S/N between 9801xxxx and 0002xxxx  | \$ 40    |
| 40.076.052.01   | ECF-UX, UX external cooling fan kit  | \$ 130   |
| 40.076.053.01   | RH-UX, UX rigid plastic rainhood kit   | \$ 90    |
| <b>UPA Rigging &amp; Cabinet Components</b>   |  |          |
| 124.056   | Clevis Rigging Pin w/Head, 11.8mm, used to attach MTG-4s, CQ-2 frames, and UPA-2 frames to ring and stud-equipped loudspeaker systems  | \$ 50    |
| 124.060   | Lynch Pin, 3/16", used to secure 124.056 and 61.053.054.01 pins in place   | \$ 10    |
| 40.010.036.01   | Nut Plate Kit w/Screws, 3/8"-16  | \$ 40    |
| 40.010.201.01   | Rigging "TV" Adaptor Kit, used for UPA, CQ, and UPM yokes  | \$ 30    |
| 40.052.078.01   | Grille Foam w/Logo Plate, for UPA-1/2P, UPA-1(A, B, andC), and UPA-2C  | \$ 50    |
| 40.052.079.01   | Grille Frame w/Foam & Logo Plate, for UPA-1 (A, B, and C), traditional - new style not available for UPA-1(A, B, and C)  | \$ 240   |
| 40.076.040.01   | Grille Frame w/Foam & Logo Plate, for UPA-1P, UPA-2P, and UPA-2C, traditional  | \$ 240   |
| 40.076.040.03   | Grille Frame w/Black Mesh & Logo Plate, for UPA-1P, UPA-2P, and UPA-2C, new style  | \$ 230   |
| 40.076.040.04   | W/P Grille Frame Replacement Kit, black mesh and logo plate, weather-protected, new style  | \$ 290   |
| 40.076.117.01   | Dampened Handle Cup & Bar Side Mount, black  | \$ 40    |
| <b>UPJ</b>  | Mid-sized point-source loudspeaker with rotatable horn for flexible horizontal or vertical coverage. Available with IntelligentDC or AC power. Suitable for smaller applications than the UPA series. Pairs with the UMS, 500-HP and 900-LFC subwoofers. |          |
| <b>UPJ Amplifiers, Electronics &amp; Cables</b>   |  |          |
| 28.163.009.01   | CBL-EN3-PT, EN-3 5-pin female to pigtail - regular cable black jacket  | \$ 50    |
| 28.163.009.11   | CBL-EN3-PT, EN-3 5-pin female to pigtail - plenum rated cable white jacket   | \$ 60    |
| 40.084.008.01   | RMS Replacement/Upgrade Kit, comm board service kit  | \$ 520   |
| 40.084.017.01   | AIM, 3-pin audio input module w/looping  | \$ 370   |
| 40.084.017.02   | AIM, audio input module with looping, attenuation, and polarity  | \$ 440   |
| 40.084.018.01   | Blank Plate, installed in place of RMS board   | \$ 80    |
| 40.084.041.06   | CBA-UPJ-1P, control board  | \$ 620   |
| 40.084.080.01   | AIM, 5-pin audio input module w/looping  | \$ 440   |
| 40.084.150.01   | DX Input Board, Phoenix 5-pin connector  | \$ 290   |
| 40.084.151.01   | DX Input Board, EN-3 5-pin connector   | \$ 290   |
| 40.084.152.01   | DX Input Board, ECOM 7-pin connector   | \$ 290   |
| 40.115.004.01   | AHA-M1D, amplifier/heatsink assembly - includes amplifier and power supply   | \$ 1,500 |
| 40.196.016.01   | AHA-DX, amplifier/heatsink assembly module   | \$ 1,060 |
| 468.081   | Female Cable-Mount Connector, ECOM 7-pin   | \$ 40    |
| <b>UPJ Drivers &amp; Horns</b> *Exchange price reflects credit given upon receipt of rebuildable driver of same model |  |          |
| 40.126.001.01   | ST-410N, 4-ohm, 10-inch neodymium magnet driver  | \$ 370   |
| 40.134.045.01   | MS-75J, 3-inch diaphragm, 0.75-inch exit driver - used for UPJ-1P and UPJ-1XP  | \$ 770   |
| 40.134.045.51   | MS-75J, exchange driver* for MS-75J  | \$ 380   |
| 67.552.019.02   | Gasket, for 10-inch drivers  | \$ 5     |

# Replacement Parts, Rigging, and Product Services

Prices Effective February 1, 2016



| <b>UPJ Rainhoods, Fans &amp; Misc.</b>   |  |          |
|--|--|----------|
| 40.084.102.01  | Replacement Fan, for M1D, M1D-Sub, UPJ-1P, UPJunior, UPQ-1/2P, JM-1P, and 500-HP amplifier/heatsink  | \$ 40    |
| 40.134.020.01  | VRH-UPJ, UPJ vertical rainhood kit - to be used with vertically-mounted UPJ-1P   | \$ 300   |
| 40.134.020.02  | HRH-UPJ, UPJ horizontal rainhood kit - to be used with horizontally-mounted UPJ-1P   | \$ 300   |
| 40.196.062.01  | HRH-XP, XP horizontal rainhood kit - to be used with horizontally-mounted UPM-1/2XP, UPJ-1XP, UPJunior-XP, and UMS-1XP   | \$ 150   |
| 40.196.062.02  | VRH-XP, XP vertical rainhood kit - to be used with vertically-mounted UPM-1/2XP, UPJ-1XP, UPJunior-XP, and UMS-1XP   | \$ 150   |
| <b>UPJ Rigging &amp; Cabinet Components</b>  |  |          |
| 124.102  | M8 Knob Screw, 15mm long and washer  | \$ 30    |
| 40.076.117.02  | Dampened Small Handle Cup & Bar, black   | \$ 40    |
| 40.115.023.01  | Logo Plates, for M Series, UPJ-1P/UPJunior, and MJF-212/A  | \$ 10    |
| 40.134.011.01  | M8 Eye Bolt Kit, includes 2 eyebolts (13 mm long), 2 wing head screws, and washers   | \$ 30    |
| 40.134.055.01  | Grille Frame Replacement Kit, for UPJ-1P   | \$ 230   |
| 40.134.131.01  | RAP-UPJ, rigging adaptor replacement plate kit, includes 1 plate, gasket, and hardware   | \$ 160   |
| <b>UPJunior</b>  | Small point-source loudspeaker with rotatable horn for flexible horizontal or vertical coverage. Available with IntelligentDC or AC power. Designed for applications such as front or under-balcony fill and portable PA systems. Pairs with the UMS, 500-HP and 900-LFC subwoofers. |          |
| <b>UPJunior Amplifiers, Electronics &amp; Cables</b>   |  |          |
| 28.163.009.01  | CBL-EN3-PT, EN-3 5-pin female to pigtail - regular cable black jacket  | \$ 50    |
| 28.163.009.11  | CBL-EN3-PT, EN-3 5-pin female to pigtail - plenum rated cable white jacket   | \$ 60    |
| 40.084.008.01  | RMS Replacement/Upgrade Kit, comm board service kit  | \$ 520   |
| 40.084.017.01  | AIM, 3-pin audio input module w/looping  | \$ 370   |
| 40.084.017.02  | AIM, audio input module with looping, attenuation, and polarity  | \$ 440   |
| 40.084.018.01  | Blank Plate, installed in place of RMS board   | \$ 80    |
| 40.084.041.08  | CBA-UP-Junior, control board   | \$ 620   |
| 40.084.080.01  | AIM, 5-pin audio input module w/looping  | \$ 440   |
| 40.084.150.01  | DX Input Board, Phoenix 5-pin connector  | \$ 290   |
| 40.084.151.01  | DX Input Board, EN-3 5-pin connector   | \$ 290   |
| 40.084.152.01  | DX Input Board, ECOM 7-pin connector   | \$ 290   |
| 40.115.004.01  | AHA-M1D, amplifier/heatsink assembly - includes amplifier and power supply   | \$ 1,500 |
| 40.196.016.01  | AHA-DX, amplifier/heatsink assembly module   | \$ 1,060 |
| 468.081  | Female Cable-Mount Connector, ECOM 7-pin   | \$ 40    |
| <b>UPJunior Drivers &amp; Horns</b> *Exchange price reflects credit given upon receipt of rebuildable driver of same model |  |          |
| 40.133.001.01  | MS-1010L, 2-inch diaphragm driver  | \$ 650   |
| 40.133.001.51  | MS-1010L, exchange driver* for MS-1010L  | \$ 360   |
| 40.143.036.01  | ST-48N, 4-ohm, 8-inch Neodymium Magnet - used for M'elodie, UPJunior, and UPJunior-XP  | \$ 370   |
| <b>UPJunior Rainhoods, Fans &amp; Misc.</b>  |  |          |
| 40.084.102.01  | Replacement Fan, for M1D, M1D-Sub, UPJ-1P, UPJunior, UPQ-1/2P, JM-1P, and 500-HP amplifier/heatsink  | \$ 40    |
| 40.173.020.01  | VRH-UPJUNIOR, UPJUNIOR vertical rainhood kit - to be used with vertically-mounted UPJunior   | \$ 290   |
| 40.173.021.01  | HRH-UPJUNIOR, UPJUNIOR horizontal rainhood kit - to be used with horizontally-mounted UPJunior   | \$ 290   |
| 40.196.062.01  | HRH-XP, XP horizontal rainhood kit - to be used with horizontally-mounted UPM-1/2XP, UPJ-1XP, UPJunior-XP, and UMS-1XP   | \$ 150   |
| 40.196.062.02  | VRH-XP, XP vertical rainhood kit - to be used with vertically-mounted UPM-1/2XP, UPJ-1XP, UPJunior-XP, and UMS-1XP   | \$ 150   |
| <b>UPJunior Rigging &amp; Cabinet Components</b>   |  |          |
| 40.115.023.01  | Logo Plates, for M Series, UPJ-1P/UPJunior, and MJF-212/A  | \$ 10    |
| 40.134.011.01  | M8 Eye Bolt Kit, includes 2 eyebolts (13 mm long), 2 wing head screws, and washers   | \$ 30    |
| 40.173.006.01  | Grille Frame Assembly, UPJunior  | \$ 160   |
| 40.173.131.01  | RAP-UPJUNIOR, UPJunior and UPJunior-XP rigging adaptor replacement plate, includes 1 plate, gasket and hardware  | \$ 140   |
| 40.227.033.01  | DY-HMS, HMS double-yoke adds capability to the HMS half-yoke kit to hang a UPJunior underneath an HMS-12 or HMS-10   | \$ 760   |



# Replacement Parts, Rigging, and Product Services

Prices Effective February 1, 2016



## UPM

Small point-source loudspeaker for applications such as front or under-balcony fill and portable PA systems. Available in wide and narrow coverage configurations. Each configuration available with IntelligentDC or AC power. Pairs with the UMS ultracompact subwoofer.

### UPM Amplifiers, Electronics & Cables

|               |   |          |
|---------------|---|----------|
| 28.163.009.01 | CBL-EN3-PT, EN-3 5-pin female to pigtail - regular cable black jacket                         | \$ 50    |
| 28.163.009.11 | CBL-EN3-PT, EN-3 5-pin female to pigtail - plenum rated cable white jacket                    | \$ 60    |
| 40.076.121.01 | AIM-UX, audio input module with looping, 5-pin XLR  | \$ 440   |
| 40.084.008.01 | RMS Replacement/Upgrade Kit, comm board service kit   | \$ 520   |
| 40.084.010.01 | AHA-UMS/UPM, amplifier/heatsink assembly - includes amplifier and power supply                | \$ 1,330 |
| 40.084.010.02 | AHA-UMS/UPM, amplifier/heatsink assembly (100V version) - includes amplifier and power supply | \$ 1,330 |
| 40.084.017.01 | AIM, 3-pin audio input module w/looping   | \$ 370   |
| 40.084.017.02 | AIM, audio input module with looping, attenuation, and polarity                               | \$ 440   |
| 40.084.018.01 | Blank Plate, installed in place of RMS board  | \$ 80    |
| 40.084.041.01 | CBA-UPM-1P, control board   | \$ 620   |
| 40.084.041.03 | CBA-UPM-2P, control board   | \$ 620   |
| 40.084.080.01 | AIM, 5-pin audio input module w/looping   | \$ 440   |
| 40.084.150.01 | DX Input Board, Phoenix 5-pin connector   | \$ 290   |
| 40.084.151.01 | DX Input Board, EN-3 5-pin connector  | \$ 290   |
| 40.084.152.01 | DX Input Board, ECOM 7-pin connector  | \$ 290   |
| 40.196.016.01 | AHA-DX, amplifier/heatsink assembly module  | \$ 1,060 |
| 468.081       | Female Cable-Mount Connector, ECOM 7-pin  | \$ 40    |

### UPM Drivers & Horns

|               |   |        |
|---------------|---|--------|
| 40.030.008.02 | UPM-1P Tweeter, 1-inch metal dome tweeter   | \$ 150 |
| 40.066.027.01 | Piezo Tweeter/Horn, used for UPM-1, MPS-355, and MPS-305  | \$ 50  |
| 40.098.001.01 | ST-85, 8-ohm, 5-inch driver for HMS-5, M1D, MVC-5, UPM-1P/2P, UPM-1/2XP, UPM-1/2, and MPS-355/305 | \$ 160 |
| 67.030.009.01 | Gaskets, UPM-2 and UPM-2P horn to enclosure gasket  | \$ 2   |
| 67.066.014.01 | Gaskets, for UPM-1, MPS-305, and MPS-355 tweeters   | \$ 2   |
| 67.066.019.01 | Gasket, for 5-inch drivers  | \$ 5   |
| 67.552.019.01 | Gaskets, UPM-2 and UPM-2P horn to driver gasket   | \$ 2   |

### UPM Rainhoods, Fans & Misc.

|               |  |        |
|---------------|--|--------|
| 40.084.053.01 | VRH-UPM, UPM vertical rainhood kit for UPM-1P/2P (3/8" hardware kit) - if U-bracket is required, use 40.084.055.01     | \$ 150 |
| 40.084.053.02 | VRH-UPM, UPM vertical rainhood kit for UPM-1P/2P (M10 hardware kit) - if U-bracket is required, use 40.084.055.02      | \$ 150 |
| 40.084.054.01 | HRH-UPM, UPM horizontal rainhood kit for UPM-1P/2P (3/8" hardware kit) - if U-bracket is required, use 40.066.040.01   | \$ 150 |
| 40.084.054.02 | HRH-UPM, UPM horizontal rainhood kit for UPM-1P/2P (M10 hardware kit) - if U-bracket is required, use 40.066.040.02    | \$ 150 |
| 40.196.062.01 | HRH-XP, XP horizontal rainhood kit - to be used with horizontally-mounted UPM-1/2XP, UPJ-1XP, UPJunior-XP, and UMS-1XP | \$ 150 |
| 40.196.062.02 | VRH-XP, XP vertical rainhood kit - to be used with vertically-mounted UPM-1/2XP, UPJ-1XP, UPJunior-XP, and UMS-1XP     | \$ 150 |

### UPM Rigging & Cabinet Components

|               |   |        |
|---------------|---|--------|
| 40.010.070.01 | Nut Plate Kit w/Screws, 3/8"-16                           | \$ 40  |
| 40.010.070.02 | Nut Plate Kit w/Screws, M10x15                            | \$ 40  |
| 40.010.201.01 | Rigging "TV" Adaptor Kit, used for UPA, CQ, and UPM yokes | \$ 30  |
| 40.066.041.01 | Grille Foam w/Logo Plate, for UPM-1 and UPM-2             | \$ 40  |
| 40.066.042.01 | Grille Frame w/Grille Foam & Logo Plate, for UPM-1        | \$ 160 |
| 40.084.051.01 | Grille Foam w/Logo Plate, for UPM-1P/2P                   | \$ 40  |
| 40.084.056.01 | Grille Frame w/Foam & Logo Plate, for UPM-1P              | \$ 160 |

## UPQ

Large point-source loudspeaker for applications including concert halls, theatres, and houses of worship. Available in wide coverage (UPQ-1P) and narrow coverage (UPQ-2P) configurations. Pairs with 500-HP or 600-HP subwoofers or the 900-LFC low-frequency control element.

### UPQ Amplifiers, Electronics & Cables

|               |   |        |
|---------------|---|--------|
| 40.084.008.01 | RMS Replacement/Upgrade Kit, comm board service kit | \$ 520 |
| 40.084.017.01 | AIM, 3-pin audio input module w/looping             | \$ 370 |

# Replacement Parts, Rigging, and Product Services

Prices Effective February 1, 2016



|   |   |          |
|---|---|----------|
| 40.084.017.02   | AIM, audio input module with looping, attenuation, and polarity   | \$ 440   |
| 40.084.018.01   | Blank Plate, installed in place of RMS board  | \$ 80    |
| 40.084.080.01   | AIM, 5-pin audio input module w/looping   | \$ 440   |
| 40.152.015.03   | AHA-JM/MJF/UPQ, amplifier/heatsink assembly dual FET wide module  | \$ 580   |
| 40.152.016.07   | CBA-UPQ-1P, control board   | \$ 620   |
| 40.152.016.08   | CBA-UPQ-2P, control board   | \$ 620   |
| 40.152.033.01   | AC Mains Board, for JM-1P, M'elodie, MJF-212A, UPQ-1P/2P, and 500-HP  | \$ 360   |
| 40.152.048.01   | PSB-500-HP/JM/M'elodie/MJF/UPQ, power supply board  | \$ 520   |
| 40.185.118.01   | AHA-500-HP/JM/UPQ, amplifier/heatsink assembly dual FET long module w/QuietCool fan. Amplifier module only.                                   | \$ 800   |
| 40.185.120.01   | AHA-500-HP/JM/UPQ, amplifier/heatsink assembly dual FET long module w/QuietCool fan. Complete assembly. Includes AC main/power supply boards. | \$ 1,690 |
| <b>UPQ Drivers &amp; Horns</b> *Exchange price reflects credit given upon receipt of rebuildable driver of same model |   |          |
| 40.071.253.02   | MS-2010L, 4-inch diaphragm driver   | \$ 1,940 |
| 40.071.253.61   | MS-2010L, exchange driver* for MS-2010L   | \$ 540   |
| 40.122.001.04   | ST-215A, 2-ohm, 15-inch, neodymium magnet - used ONLY for HMS-15(AC), JM-1P, and UPQ-1P/2P  | \$ 900   |
| 67.056.014.01   | Gasket, for 15-inch drivers   | \$ 10    |
| <b>UPQ Rainhoods, Fans &amp; Misc.</b>  |   |          |
| 40.084.102.01   | Replacement Fan, for M1D, M1D-Sub, UPJ-1P, UPJunior, UPQ-1/2P, JM-1P, and 500-HP amplifier/heatsink   | \$ 40    |
| 40.185.084.02   | HRH-JM/UPQ, horizontal rainhood kit   | \$ 430   |
| <b>UPQ Rigging &amp; Cabinet Components</b>   |   |          |
| 124.098   | M10 Knob Screw, 20mm long and washer  | \$ 30    |
| 40.076.117.01   | Dampened Handle Cup & Bar Side Mount, black   | \$ 40    |
| 40.185.006.01   | Grille Frame w/Black Mesh & Logo Plate, for UPQ-1/2P  | \$ 330   |
| 40.185.006.02   | W/P Grille Frame, black mesh, internal foam, and logo plate, only for weather-protected loudspeakers  | \$ 390   |

## Cine-Studio

Designed for the ultimate in linearity and accuracy, CINE-STUDIO series loudspeakers fulfill the exacting requirements of music recording and post-production professionals while also delighting cinema audiences worldwide. The series comprises a complete line of cinema loudspeakers -- screen, surround and LFE -- as well as recording studio monitors incorporating advanced technology for near-perfect frequency and phase response across the full audio bandwidth.

### Acheron

Screen channel loudspeaker for cinema applications. Available in wide and narrow horizontal coverage models. Low-frequency loudspeaker (Acheron LF) augments frequency range of mains. Compact version (Acheron Studio) for smaller cinema applications and postproduction studios. UltraCompact version (Acheron Designer) for small sound design studios and private theatres. THX approved. Used in systems with HMS surround loudspeakers.

### Acheron Amplifiers, Electronics & Cables

|               |   |          |
|---------------|---|----------|
| 40.033.002.01 | PSB-HP/MP/MPW, power supply board universal to all HP, MP, and MPW amplifiers                   | \$ 520   |
| 40.033.002.02 | PSB-HP/MP, power supply board   | \$ 520   |
| 40.033.019.01 | HP/MP AC Mains PCBA, circuit board assembly, universal to all HP, MP, MPW, and LYON amplifiers  | \$ 360   |
| 40.033.030.01 | RAS-Acheron, HP-2, L6-20, RMS, amp service kit  | \$ 4,780 |
| 40.033.030.02 | RAS-Acheron, HP-2, IEC309, RMS, amp service kit   | \$ 4,780 |
| 40.033.030.03 | TAS-Acheron, HP-2, L6-20, TPL, amp service kit  | \$ 4,250 |
| 40.033.030.04 | TAS-Acheron, HP-2, IEC309, TPL, amp service kit   | \$ 4,250 |
| 40.033.042.48 | CBA-Acheron80/100, TPL control board  | \$ 620   |
| 40.033.042.49 | CBA-ACHERONLF, TPL control board  | \$ 620   |
| 40.033.063.63 | Amp Service Kit, for Acheron LF, HP-2, IEC-309  | \$ 4,250 |
| 40.033.063.64 | Amp Service Kit, for Acheron LF, HP-2, L6-20  | \$ 4,250 |
| 40.033.071.01 | HP/MP RMS, communication board upgrade/replacement, universal to all HP, MP, and MPW amplifiers | \$ 520   |
| 40.033.245.07 | Amp Service Kit, for Acheron LF, HP-2, L6-20, RMS   | \$ 4,780 |
| 40.033.245.08 | Amp Service Kit, for Acheron LF, HP-2, IEC-309, RMS   | \$ 4,780 |

# Replacement Parts, Rigging, and Product Services

Prices Effective February 1, 2016



|  |  |          |
|--|--|----------|
| 40.033.327.01  | AHA-HP-2/4, amplifier/heatsink assembly TOP module used in M2D-Sub, 700-HP, 600-HP, MILO, M3D/M3D-Sub TOP, and Acheron LF  | \$ 1,080 |
| 40.033.340.03  | RUP-HP-2/L, user panel for HP-2, L6-20 connector, 10-amp breakers for 700-HP, 600-HP, and Acheron LF   | \$ 520   |
| 40.033.340.04  | RUP-HP-2/I, user panel for HP-2, IEC-309 connector, 10-amp breakers for 700-HP, 600-HP, and Acheron LF   | \$ 520   |
| 40.033.348.01  | RUP-HP-2/4/L, input board, XLR, L6-20 user panel, no pol. switch   | \$ 120   |
| 40.033.348.02  | RUP-HP-2/4/I-V, input board, XLR, IEC-309/VEAM user panel, no pol. switch  | \$ 120   |
| 40.076.010.08  | CBA-AcheronStudio, control board   | \$ 620   |
| 40.076.023.01  | UX Power Supply Module, PowerCON connector   | \$ 1,460 |
| 40.076.024.01  | AIM-UX, audio input module with looping  | \$ 370   |
| 40.076.027.02  | AHA-Acheron, amplifier/heatsink module for Acheron Studio  | \$ 1,620 |
| 40.076.028.01  | RMS Replacement/Upgrade Kit, for Acheron Studio, M2D, UPA-1P/2P, UM-1P/100P, USM-1P/100P, and USW-1P   | \$ 520   |
| 40.076.029.01  | UX Blank Plate, installed in place of RMS board  | \$ 80    |
| 40.076.121.01  | AIM-UX, audio input module with looping, 5-pin XLR   | \$ 440   |
| 40.196.014.01  | DX Audio Input Board, 3-pin XLR connector with loop out  | \$ 290   |
| 40.196.016.01  | AHA-DX, amplifier/heatsink assembly module   | \$ 1,060 |
| 40.211.071.01  | DX Amplifier Assembly Replacement Kit, includes XLR input board only (no RMS) - used in Acheron Designer & X-400C  | \$ 1,400 |
| 40.211.072.01  | RMS Replacement/Upgrade Kit, for Acheron Designer and X-400C   | \$ 520   |
| 40.211.074.01  | DX Amplifier Assembly Replacement Kit, includes XLR input board and RMS board - used in Acheron Designer & X-400C  | \$ 1,920 |
| 40.211.075.01  | PSB-Acheron, power supply assembly for Acheron Designer  | \$ 1,460 |
| 466.044  | Neutrik AC PowerCon, cable-mount connector, blue - used in Acheron Studio and Acheron Designer   | \$ 30    |
| <b>Acheron Drivers &amp; Horns</b>   |  |          |
| *Exchange price reflects credit given upon receipt of rebuildable driver of same model |  |          |
| 40.071.194.01  | MS-2010C, 4-inch diaphragm driver  | \$ 1,940 |
| 40.071.194.51  | MS-2010C, exchange driver* for MS-2010C  | \$ 540   |
| 40.119.001.01  | ST-215, 2-ohm, 15-inch driver for Acheron Studio and USM-1P/100P - equivalent to MS-215  | \$ 620   |
| 40.122.001.05  | ST-415A, 4-ohm, 15-inch, neodymium magnet - used ONLY in Acheron 80/100 and LF   | \$ 870   |
| 40.130.100.02  | ST-212S, 2-ohm, 12-inch driver   | \$ 610   |
| 67.051.038.01  | Gasket, for 12-inch drivers  | \$ 5     |
| 67.056.014.01  | Gasket, for 15-inch drivers  | \$ 10    |
| <b>Acheron Rainhoods, Fans &amp; Misc.</b>   |  |          |
| 40.033.128.01  | QRH-HP/MP, quick-clip transparent, removable rigid rainhood kit - fits all HP/MP self-powered loudspeakers except MICA and PSM-2   | \$ 280   |
| 40.105.034.01  | CRH-HP/MP, cloth collapsible rainhood kit - fits all HP/MP self-powered loudspeakers except MICA and PSM-2   | \$ 280   |
| <b>Acheron Rigging &amp; Cabinet Components</b>  |  |          |
| 40.211.300.01  | GK-ACHERON, Designer grille kit  | \$ 270   |
| <b>HMS</b>   | Surround loudspeaker for cinema applications. Four sizes offer progressive levels of output. Intelligent DC power. Used in systems with Acheron screen channel loudspeakers. |          |
| <b>HMS Amplifiers, Electronics &amp; Cables</b>  |  |          |
| 40.084.008.01  | RMS Replacement/Upgrade Kit, comm board service kit  | \$ 520   |
| 40.084.041.10  | CBA-HMS-10, control board for SN: 1340xxxx and lower   | \$ 620   |
| 40.084.106.01  | AHA-HMS-10, amplifier/heatsink assembly - includes input module (for SN: 1340xxxx and lower)   | \$ 1,080 |
| 40.196.016.01  | AHA-DX, amplifier/heatsink assembly module   | \$ 1,060 |
| 40.198.023.01  | HMS-10 DX Amp Replacement/Upgrade Kit, SN: 1410xxxx and higher   | \$ 1,060 |
| 40.227.040.01  | DX Input Board, for HMS-12 and HMS-5 only - Phoenix 5-pin connector  | \$ 280   |
| 484.065  | Female Cable-Mount Connector, Phoenix 5-pin  | \$ 30    |
| <b>HMS Drivers &amp; Horns</b>   |  |          |
| *Exchange price reflects credit given upon receipt of rebuildable driver of same model |  |          |
| 40.098.001.01  | ST-85, 8-ohm, 5-inch driver for HMS-5, M1D, MVC-5, UPM-1P/2P, UPM-1/2XP, UPM-1/2, and MPS-355/305  | \$ 160   |
| 40.122.001.04  | ST-215A, 2-ohm, 15-inch, neodymium magnet - used ONLY for HMS-15(AC), JM-1P, and UPQ-1P/2P   | \$ 900   |
| 40.126.001.01  | ST-410N, 4-ohm, 10-inch neodymium magnet driver  | \$ 370   |
| 40.130.200.01  | ST-412A, 4-ohm, 12-inch neodymium magnet driver for HMS-12   | \$ 820   |
| 40.133.001.01  | MS-1010L, 2-inch diaphragm driver  | \$ 650   |
| 40.133.001.51  | MS-1010L, exchange driver* for MS-1010L  | \$ 360   |
| 40.134.045.02  | MS-1201L, 3-inch diaphragm, 1.2-inch exit driver   | \$ 1,100 |

# Replacement Parts, Rigging, and Product Services

Prices Effective February 1, 2016



|  |   |          |
|--|---|----------|
| 40.134.045.52                                      | MS-1201L, exchange driver* for MS-1201L   | \$ 500   |
| 67.051.038.01                                      | Gasket, for 12-inch drivers   | \$ 5     |
| 67.056.014.01                                      | Gasket, for 15-inch drivers   | \$ 10    |
| 67.066.019.01                                      | Gasket, for 5-inch drivers  | \$ 5     |
| 67.552.019.02                                      | Gasket, for 10-inch drivers   | \$ 5     |
| <b>HMS Rigging &amp; Cabinet Components</b>        |   |          |
| 40.198.006.01                                      | Replacement Grille Frame, for HMS-10  | \$ 70    |
| 40.227.033.01                                      | DY-HMS, HMS double-yoke adds capability to the HMS half-yoke kit to hang a UPJunior underneath an HMS-12 or HMS-10  | \$ 760   |
| <b>X-400C</b>                                      | Mid-sized subwoofer for low-frequency extension of cinema systems where space is at a premium. Complements Acheron screen channel loudspeakers and HMS surround loudspeakers. |          |
| <b>X-400C Amplifiers, Electronics &amp; Cables</b> |   |          |
| 40.196.014.01                                      | DX Audio Input Board, 3-pin XLR connector with loop out   | \$ 290   |
| 40.196.016.01                                      | AHA-DX, amplifier/heatsink assembly module  | \$ 1,060 |
| 40.211.071.01                                      | DX Amplifier Assembly Replacement Kit, includes XLR input board only (no RMS) - used in Acheron Designer & X-400C   | \$ 1,400 |
| 40.211.072.01                                      | RMS Replacement/Upgrade Kit, for Acheron Designer and X-400C  | \$ 520   |
| 40.211.074.01                                      | DX Amplifier Assembly Replacement Kit, includes XLR input board and RMS board - used in Acheron Designer & X-400C   | \$ 1,920 |
| 40.213.016.01                                      | PSB-X-400C, power supply assembly for X-400C  | \$ 1,460 |
| <b>X-400C Drivers &amp; Horns</b>                  |   |          |
| 40.010.037.01                                      | Gaskets, for 18-inch drivers  | \$ 30    |
| 40.125.001.02                                      | ST-418A, 4-ohm, 18-inch neodymium magnet driver   | \$ 1,040 |
| <b>X-400C Rigging &amp; Cabinet Components</b>     |   |          |
| 40.213.210.01                                      | Optional Grille Frame Kit, for X-400C   | \$ 270   |
| <b>X-800C</b>                                      | Large subwoofer for low-frequency extension of far-field monitors. Cinema version complements Acheron screen channel loudspeakers and HMS surround loudspeakers.              |          |
| <b>X-800C Amplifiers, Electronics &amp; Cables</b> |   |          |
| 40.033.002.01                                      | PSB-HP/MP/MPW, power supply board universal to all HP, MP, and MPW amplifiers   | \$ 520   |
| 40.033.002.02                                      | PSB-HP/MP, power supply board   | \$ 520   |
| 40.033.013.01                                      | AHA-MP-2, amplifier/heatsink assembly TOP module  | \$ 1,020 |
| 40.033.014.01                                      | PSC-HP-2/MP-2, power supply assembly - includes chassis, MP transformer, and power supply board   | \$ 1,630 |
| 40.033.019.01                                      | HP/MP AC Mains PCBA, circuit board assembly, universal to all HP, MP, MPW, and LYON amplifiers  | \$ 360   |
| 40.033.042.15                                      | CBA-X-800, TPL control board  | \$ 620   |
| 40.033.045.35                                      | MP-2/X800, L6-20, TPL, RMS amplifier  | \$ 4,720 |
| 40.033.045.36                                      | MP-2/X800, IEC 309, TPL, RMS amplifier  | \$ 4,720 |
| 40.033.048.01                                      | RUP-MP-2/L, user panel for MP-2, L6-20 connector, 6-amp breakers  | \$ 520   |
| 40.033.048.03                                      | RUP-MP-2/I, user panel for MP-2, IEC-309 connector, 6-amp breakers  | \$ 520   |
| 40.033.058.01                                      | MP-2/4 XLR Input Board, includes polarity switch  | \$ 120   |
| 40.033.063.35                                      | MP-2/X800, L6-20, TPL, amplifier  | \$ 4,200 |
| 40.033.063.36                                      | MP-2/X800, IEC 309, TPL amplifier   | \$ 4,200 |
| 40.033.071.01                                      | HP/MP RMS, communication board upgrade/replacement, universal to all HP, MP, and MPW amplifiers   | \$ 520   |
| <b>X-800C Drivers &amp; Horns</b>                  |   |          |
| 40.010.037.01                                      | Gaskets, for 18-inch drivers  | \$ 30    |
| 40.124.001.01                                      | ST-818, 8-ohm, 18-inch driver for X-800, 650-P, 650-R2, PSW-4, PSW-6 (front), MTS-4, 834, and MSW-2. Equivalent to MS-818   | \$ 640   |
| <b>X-800C Rainhoods, Fans &amp; Misc.</b>          |   |          |
| 40.033.128.01                                      | QRH-HP/MP, quick-clip transparent, removable rigid rainhood kit - fits all HP/MP self-powered loudspeakers except MICA and PSM-2  | \$ 280   |
| 40.033.128.05                                      | QRH-HP/MP, HP/MP replacement quick-clip rainhood - rainhood only, requires frame  | \$ 230   |
| 40.033.128.06                                      | HP/MP Rplcmnt Quick-Clip Mounting Frame, frame only   | \$ 60    |
| 40.105.034.01                                      | CRH-HP/MP, cloth collapsible rainhood kit - fits all HP/MP self-powered loudspeakers except MICA and PSM-2  | \$ 280   |

# Replacement Parts, Rigging, and Product Services

Prices Effective February 1, 2016



**X-800** Large subwoofer for low-frequency extension of far-field monitors. Studio version complements X-10 control room monitor.

## X-800 Amplifiers, Electronics & Cables

|               |   |          |
|---------------|---|----------|
| 40.033.002.01 | PSB-HP/MP/MPW, power supply board universal to all HP, MP, and MPW amplifiers                   | \$ 520   |
| 40.033.002.02 | PSB-HP/MP, power supply board   | \$ 520   |
| 40.033.013.01 | AHA-MP-2, amplifier/heatsink assembly TOP module  | \$ 1,020 |
| 40.033.014.01 | PSC-HP-2/MP-2, power supply assembly - includes chassis, MP transformer, and power supply board | \$ 1,630 |
| 40.033.019.01 | HP/MP AC Mains PCBA, circuit board assembly, universal to all HP, MP, MPW, and LYON amplifiers  | \$ 360   |
| 40.033.042.15 | CBA-X-800, TPL control board  | \$ 620   |
| 40.033.045.35 | MP-2/X800, L6-20, TPL, RMS amplifier  | \$ 4,720 |
| 40.033.045.36 | MP-2/X800, IEC 309, TPL, RMS amplifier  | \$ 4,720 |
| 40.033.048.01 | RUP-MP-2/L, user panel for MP-2, L6-20 connector, 6-amp breakers                                | \$ 520   |
| 40.033.048.03 | RUP-MP-2/I, user panel for MP-2, IEC-309 connector, 6-amp breakers                              | \$ 520   |
| 40.033.058.01 | MP-2/4 XLR Input Board, includes polarity switch  | \$ 120   |
| 40.033.063.35 | MP-2/X800, L6-20, TPL, amplifier  | \$ 4,200 |
| 40.033.063.36 | MP-2/X800, IEC 309, TPL amplifier   | \$ 4,200 |
| 40.033.071.01 | HP/MP RMS, communication board upgrade/replacement, universal to all HP, MP, and MPW amplifiers | \$ 520   |

## X-800 Drivers & Horns

|               |   |        |
|---------------|---|--------|
| 40.010.037.01 | Gaskets, for 18-inch drivers  | \$ 30  |
| 40.124.001.01 | ST-818, 8-ohm, 18-inch driver for X-800, 650-P, 650-R2, PSW-4, PSW-6 (front), MTS-4, 834, and MSW-2. Equivalent to MS-818 | \$ 640 |

## X-800 Rainhoods, Fans & Misc.

|               |  |        |
|---------------|--|--------|
| 40.033.128.01 | QRH-HP/MP, quick-clip transparent, removable rigid rainhood kit - fits all HP/MP self-powered loudspeakers except MICA and PSM-2 | \$ 280 |
| 40.033.128.05 | QRH-HP/MP, HP/MP replacement quick-clip rainhood - rainhood only, requires frame   | \$ 230 |
| 40.033.128.06 | HP/MP Rplcmnt Quick-Clip Mounting Frame, frame only  | \$ 60  |
| 40.105.034.01 | CRH-HP/MP, cloth collapsible rainhood kit - fits all HP/MP self-powered loudspeakers except MICA and PSM-2                       | \$ 280 |

## Beam

BEAM series devices employ sophisticated signal processing and innovative acoustic design to implement solutions with unprecedented long-throw capabilities. Used in conjunction with LINE ARRAY series and LF series loudspeakers, BEAM series devices extend mid-and high-frequency to distances far exceeding the limits of any conventional loudspeaker system.

**Beam** Extremely long-throw loudspeakers for projecting high frequencies over long distances. Complements large-scale, long-throw systems in extremely large venues or where fill loudspeakers are impractical.

## Beam Amplifiers, Electronics & Cables

|               |   |          |
|---------------|---|----------|
| 40.033.002.01 | PSB-HP/MP/MPW, power supply board universal to all HP, MP, and MPW amplifiers                   | \$ 520   |
| 40.033.013.01 | AHA-MP-2, amplifier/heatsink assembly TOP module  | \$ 1,020 |
| 40.033.014.01 | PSC-HP-2/MP-2, power supply assembly - includes chassis, MP transformer, and power supply board | \$ 1,630 |
| 40.033.019.01 | HP/MP AC Mains PCBA, circuit board assembly, universal to all HP, MP, MPW, and LYON amplifiers  | \$ 360   |
| 40.033.042.10 | CBA-SB-1, TPL control board   | \$ 620   |
| 40.033.042.30 | CBA-SB-2, TPL control board   | \$ 620   |
| 40.033.045.21 | MP-2/SB-1 Amp Electronics Kit, L6-20, TPL, RMS amplifier  | \$ 4,720 |
| 40.033.045.22 | MP-2/SB-1 Amp Electronics Kit, IEC 309, TPL, RMS amplifier                                      | \$ 4,720 |
| 40.033.045.58 | HP-2/SB-2, L6-20, TPL, RMS amplifier  | \$ 4,780 |
| 40.033.045.59 | HP-2/SB-2, IEC-309, TPL, RMS amplifier  | \$ 4,780 |
| 40.033.045.60 | HP-2/SB-2, VEAM, TPL, RMS amplifier   | \$ 4,960 |
| 40.033.048.01 | RUP-MP-2/L, user panel for MP-2, L6-20 connector, 6-amp breakers                                | \$ 520   |
| 40.033.048.03 | RUP-MP-2/I, user panel for MP-2, IEC-309 connector, 6-amp breakers                              | \$ 520   |
| 40.033.058.01 | MP-2/4 XLR Input Board, includes polarity switch  | \$ 120   |
| 40.033.063.21 | MP-2/SB-1 Amp Electronics Kit, L6-20, TPL amplifier   | \$ 4,200 |

# Replacement Parts, Rigging, and Product Services

Prices Effective February 1, 2016



|  |  |          |
|--|--|----------|
| 40.033.063.22  | MP-2/SB-1 Amp Electronics Kit, IEC 309, TPL amplifier  | \$ 4,200 |
| 40.033.063.41  | HP-2/SB-2, L6-20, TPL, amplifier   | \$ 4,250 |
| 40.033.063.42  | HP-2/SB-2, IEC-309, TPL, amplifier   | \$ 4,250 |
| 40.033.063.43  | HP-2/SB-2, VEAM, TPL, amplifier  | \$ 4,440 |
| 40.033.071.01  | HP/MP RMS, communication board upgrade/replacement, universal to all HP, MP, and MPW amplifiers                                  | \$ 520   |
| <b>Beam Drivers &amp; Horns</b>  |  |          |
| *Exchange price reflects credit given upon receipt of rebuildable driver of same model |  |          |
| 40.071.254.01  | MS-2010B, 4-inch diaphragm driver for SB-1 - equivalent to MS-2001A used in SB-1   | \$ 1,940 |
| 40.071.254.51  | MS-2010B, exchange driver* for MS-2010B  | \$ 540   |
| 40.091.034.01  | ST-164, 16-ohm, 4-inch driver  | \$ 150   |
| 40.107.013.01  | ST-812, 8-ohm, 12-inch driver - equivalent to MS-812   | \$ 520   |
| 67.051.038.01  | Gasket, for 12-inch drivers  | \$ 5     |
| <b>Beam Rainhoods, Fans &amp; Misc.</b>  |  |          |
| 40.033.033.02  | RH-HP/MP, permanent rigid black rainhood kit - fits all HP/MP self-powered loudspeakers except MICA and PSM-2                    | \$ 90    |
| 40.033.128.01  | QRH-HP/MP, quick-clip transparent, removable rigid rainhood kit - fits all HP/MP self-powered loudspeakers except MICA and PSM-2 | \$ 280   |
| 40.033.128.05  | QRH-HP/MP, HP/MP replacement quick-clip rainhood - rainhood only, requires frame   | \$ 230   |
| 40.033.128.06  | HP/MP Rplcmnt Quick-Clip Mounting Frame, frame only  | \$ 60    |
| 40.105.034.01  | CRH-HP/MP, cloth collapsible rainhood kit - fits all HP/MP self-powered loudspeakers except MICA and PSM-2                       | \$ 280   |
| <b>Beam Rigging &amp; Cabinet Components</b>   |  |          |
| 128.006  | Handle Cup & Bar, for SB-1 and MSL-10A   | \$ 40    |

## CREATE

The CREATE series supplies a full complement of hardware and software tools for creating, optimizing, and controlling complex, high-performance sound reinforcement systems. The CREATE toolset includes powerful platforms for acoustical analysis, system design and array configuration, system optimization, and real-time monitoring and control.

## RMS

Server unit for Remote Monitoring System. Reports status of up to 50 RMS-equipped loudspeakers or up to 12 RMS-equipped MPS-488HP power supplies via Compass control software.

### RMS Amplifiers, Electronics & Cables

|               |  |          |
|---------------|--|----------|
| 28.033.080.01 | RMS, cable for laptop interface card   | \$ 130   |
| 40.033.060.01 | RMS Connector Assembly Kit, includes 2 connectors  | \$ 30    |
| 40.033.061.01 | RMS Terminator Kit, includes 2 terminators   | \$ 30    |
| 40.033.084.01 | RMS, network repeater kit  | \$ 3,070 |
| 40.033.300.15 | iLon-SmartServer RMS Ethernet, email fault notification/external fire alarm mute kit, universal power supply | \$ 1,710 |
| 40.033.300.22 | RMS, USB interface kit w/o software  | \$ 1,020 |
| 40.033.401.01 | iLon-600, Ethernet to RMS network adaptor kit  | \$ 1,080 |
| 40.084.008.01 | RMS Replacement/Upgrade Kit, comm board service kit  | \$ 520   |
| 40.196.025.01 | DX RMS Board, for LYON, MINA, and MJF-210  | \$ 520   |

## SIM

Source-independent, dual-channel audio analyzer for measurement of audio system performance. Signal handling capability of the analyzer main module can be expanded with microphone and line switcher modules.

### SIM Amplifiers, Electronics & Cables

|               |   |          |
|---------------|---|----------|
| 40.136.062.01 | Flat Screen 17" SXGA Video Monitor, includes foam for case 40.138.019.01                  | \$ 1,040 |
| 538.009       | AC Power Cable, North American plug end 2.5 m for CP-10, LD-1A, PS-1, SIM, M1-A, and VX-1 | \$ 30    |
| 538.012       | AC Power Cable, European plug end, 2.5 m, for CP-10, LD-1A, PS-1, SIM, M1-A, and VX-1     | \$ 30    |
| 78.136.011.01 | SIM 3 Soft Carry-On Case, case only - included in 40.136.011.01                           | \$ 150   |
| 950.215       | PS-2 Mouse, with lighted, optical scroll wheel  | \$ 50    |
| 950.224       | PS2 Slimline Keyboard, backlit PS-2 slimline keyboard                                     | \$ 110   |

## Legacy

### 650-P

#### 650-P Amplifiers, Electronics & Cables

|               |   |          |
|---------------|---|----------|
| 40.033.002.01 | PSB-HP/MP/MPW, power supply board universal to all HP, MP, and MPW amplifiers                   | \$ 520   |
| 40.033.013.01 | AHA-MP-2, amplifier/heatsink assembly TOP module  | \$ 1,020 |
| 40.033.014.01 | PSC-HP-2/MP-2, power supply assembly - includes chassis, MP transformer, and power supply board | \$ 1,630 |
| 40.033.019.01 | HP/MP AC Mains PCBA, circuit board assembly, universal to all HP, MP, MPW, and LYON amplifiers  | \$ 360   |
| 40.033.042.05 | CBA-650-P/PSW-2, TPL control board  | \$ 620   |
| 40.033.045.05 | MP-2/650-P, L6-20, TPL, RMS amplifier   | \$ 4,720 |
| 40.033.045.10 | MP-2/650-P, IEC 309, TPL, RMS amplifier   | \$ 4,720 |
| 40.033.048.01 | RUP-MP-2/L, user panel for MP-2, L6-20 connector, 6-amp breakers                                | \$ 520   |
| 40.033.048.03 | RUP-MP-2/I, user panel for MP-2, IEC-309 connector, 6-amp breakers                              | \$ 520   |
| 40.033.058.01 | MP-2/4 XLR Input Board, includes polarity switch  | \$ 120   |
| 40.033.063.05 | MP-2/650-P, L6-20, TPL amplifier  | \$ 4,200 |
| 40.033.063.10 | MP-2/650-P, IEC 309, TPL amplifier  | \$ 4,200 |
| 40.033.071.01 | HP/MP RMS, communication board upgrade/replacement, universal to all HP, MP, and MPW amplifiers | \$ 520   |

#### 650-P Drivers & Horns

|               |   |        |
|---------------|---|--------|
| 40.010.037.01 | Gaskets, for 18-inch drivers  | \$ 30  |
| 40.124.001.01 | ST-818, 8-ohm, 18-inch driver for X-800, 650-P, 650-R2, PSW-4, PSW-6 (front), MTS-4, 834, and MSW-2. Equivalent to MS-818 | \$ 640 |

#### 650-P Rainhoods, Fans & Misc.

|               |  |        |
|---------------|--|--------|
| 40.033.033.02 | RH-HP/MP, permanent rigid black rainhood kit - fits all HP/MP self-powered loudspeakers except MICA and PSM-2                    | \$ 90  |
| 40.033.128.01 | QRH-HP/MP, quick-clip transparent, removable rigid rainhood kit - fits all HP/MP self-powered loudspeakers except MICA and PSM-2 | \$ 280 |
| 40.033.128.05 | QRH-HP/MP, HP/MP replacement quick-clip rainhood - rainhood only, requires frame   | \$ 230 |
| 40.033.128.06 | HP/MP Rplcmnt Quick-Clip Mounting Frame, frame only  | \$ 60  |
| 40.105.034.01 | CRH-HP/MP, cloth collapsible rainhood kit - fits all HP/MP self-powered loudspeakers except MICA and PSM-2                       | \$ 280 |

#### 650-P Rigging & Cabinet Components

|               |   |        |
|---------------|---|--------|
| 40.057.041.01 | Low Grille Foam w/Logo Plate, for 650-P, 650-R2, MSL-5, and MSL-6 | \$ 100 |
| 40.057.042.01 | Grille Frame w/Foam & Logo Plate, for 650-P and 650-R2            | \$ 460 |
| 40.076.117.01 | Dampened Handle Cup & Bar Side Mount, black                       | \$ 40  |
| 712.007       | Painted Replacement 3-inch Caster, for 650-R2, 650-P, and MTS-4   | \$ 40  |

### CP-10

#### CP-10 Amplifiers, Electronics & Cables

|               |   |        |
|---------------|---|--------|
| 40.101.001.01 | PSB-CP-10/S, power supply module for CP-10/CP-10S   | \$ 370 |
| 40.101.007.01 | CP-10, low and high pass filter board   | \$ 370 |
| 40.101.008.01 | CP-10 Filter Board #1, filter 20-200 Hz   | \$ 270 |
| 40.101.008.02 | CP-10 Filter Board #2, filter 60-600 Hz   | \$ 270 |
| 40.101.008.03 | CP-10 Filter Board #3, filter 200 Hz-2 kHz  | \$ 270 |
| 40.101.008.04 | CP-10 Filter Board #4, filter 600 Hz-6 kHz  | \$ 270 |
| 40.101.008.05 | CP-10 Filter Board #5, filter 2-20 kHz  | \$ 270 |
| 40.101.045.01 | CP-10/S, gain adjust modification kit   | \$ 70  |
| 40.101.059.01 | CP-10S, low and high pass filter board  | \$ 320 |
| 40.101.061.03 | CP-10S Filter Board #1, filter 20-200 Hz  | \$ 270 |
| 40.101.061.04 | CP-10S Filter Board #2, filter 60-600 Hz  | \$ 270 |
| 40.101.061.05 | CP-10S Filter Board #3, filter 200 Hz-2 kHz   | \$ 270 |
| 40.101.061.06 | CP-10S Filter Board #4, filter 600 Hz-6 kHz   | \$ 270 |
| 40.101.061.07 | CP-10S Filter Board #5, filter 2-20 kHz   | \$ 270 |
| 538.009       | AC Power Cable, North American plug end 2.5 m for CP-10, LD-1A, PS-1, SIM, M1-A, and VX-1 | \$ 30  |

# Replacement Parts, Rigging, and Product Services

Prices Effective February 1, 2016



|  |   |          |
|--|---|----------|
| 538.012  | AC Power Cable, European plug end, 2.5 m, for CP-10, LD-1A, PS-1, SIM, M1-A, and VX-1   | \$ 30    |
| <b>CP-10 Rainhoods, Fans &amp; Misc.</b>       |   |          |
| 40.010.033.01                                  | CP-10/S Overlays, box of 6  | \$ 40    |
| 40.010.033.02                                  | CP-10/S Overlays With Silk-Screen, box of 6   | \$ 40    |
| 40.101.015.01                                  | Replacement Rack-mount Side Bracket, for CP-10/CP-10S - also used in LD-1A and LD-3   | \$ 40    |
| 40.101.039.01                                  | CP-10/S, security cover kit   | \$ 90    |
| <b>CQ</b>                                      |   |          |
| <b>CQ Amplifiers, Electronics &amp; Cables</b> |   |          |
| 40.033.002.01                                  | PSB-HP/MP/MPW, power supply board universal to all HP, MP, and MPW amplifiers   | \$ 520   |
| 40.033.013.01                                  | AHA-MP-2, amplifier/heatsink assembly TOP module  | \$ 1,020 |
| 40.033.014.01                                  | PSC-HP-2/MP-2, power supply assembly - includes chassis, MP transformer, and power supply board                                       | \$ 1,630 |
| 40.033.019.01                                  | HP/MP AC Mains PCBA, circuit board assembly, universal to all HP, MP, MPW, and LYON amplifiers  | \$ 360   |
| 40.033.042.07                                  | CBA-CQ-1, TPL control board   | \$ 620   |
| 40.033.042.08                                  | CBA-CQ-2, TPL control board   | \$ 620   |
| 40.033.045.13                                  | MP-2/CQ-1, L6-20, TPL, RMS amplifier  | \$ 4,720 |
| 40.033.045.14                                  | MP-2/CQ-2, L6-20, TPL, RMS amplifier  | \$ 4,720 |
| 40.033.045.17                                  | MP-2/CQ-1, IEC 309, TPL, RMS amplifier  | \$ 4,720 |
| 40.033.045.18                                  | MP-2/CQ-2, IEC 309, TPL, RMS amplifier  | \$ 4,720 |
| 40.033.048.01                                  | RUP-MP-2/L, user panel for MP-2, L6-20 connector, 6-amp breakers  | \$ 520   |
| 40.033.048.03                                  | RUP-MP-2/I, user panel for MP-2, IEC-309 connector, 6-amp breakers  | \$ 520   |
| 40.033.058.01                                  | MP-2/4 XLR Input Board, includes polarity switch  | \$ 120   |
| 40.033.063.13                                  | MP-2/CQ-1, L6-20, TPL amplifier   | \$ 4,200 |
| 40.033.063.14                                  | MP-2/CQ-2, L6-20, TPL amplifier   | \$ 4,200 |
| 40.033.063.17                                  | MP-2/CQ-1, IEC 309, TPL amplifier   | \$ 4,200 |
| 40.033.063.18                                  | MP-2/CQ-2, IEC 309, TPL amplifier   | \$ 4,200 |
| 40.033.071.01                                  | HP/MP RMS, communication board upgrade/replacement, universal to all HP, MP, and MPW amplifiers                                       | \$ 520   |
| <b>CQ Drivers &amp; Horns</b>                  |   |          |
| 40.041.058.01                                  | Replacement High Horns, for CQ-1  | \$ 1,120 |
| 40.046.023.01                                  | Replacement High Horns, For CQ-2  | \$ 1,120 |
| 724.006  | Gaskets, for CQ-1 and CQ-2 horns (per foot, 10 ft minimum)  | \$ 1     |
| <b>CQ Rainhoods, Fans &amp; Misc.</b>          |   |          |
| 40.033.033.02                                  | RH-HP/MP, permanent rigid black rainhood kit - fits all HP/MP self-powered loudspeakers except MICA and PSM-2                         | \$ 90    |
| 40.033.128.01                                  | QRH-HP/MP, quick-clip transparent, removable rigid rainhood kit - fits all HP/MP self-powered loudspeakers except MICA and PSM-2      | \$ 280   |
| 40.033.128.05                                  | QRH-HP/MP, HP/MP replacement quick-clip rainhood - rainhood only, requires frame  | \$ 230   |
| 40.033.128.06                                  | HP/MP Rplcmnt Quick-Clip Mounting Frame, frame only   | \$ 60    |
| 40.105.034.01                                  | CRH-HP/MP, cloth collapsible rainhood kit - fits all HP/MP self-powered loudspeakers except MICA and PSM-2                            | \$ 280   |
| <b>CQ Rigging &amp; Cabinet Components</b>     |   |          |
| 124.056  | Clevis Rigging Pin w/Head, 11.8mm, used to attach MTG-4s, CQ-2 frames, and UPA-2 frames to ring and stud-equipped loudspeaker systems | \$ 50    |
| 124.060  | Lynch Pin, 3/16", used to secure 124.056 and 61.053.054.01 pins in place  | \$ 10    |
| 124.098  | M10 Knob Screw, 20mm long and washer  | \$ 30    |
| 40.010.036.01                                  | Nut Plate Kit w/Screws, 3/8"-16   | \$ 40    |
| 40.010.201.01                                  | Rigging "TV" Adaptor Kit, used for UPA, CQ, and UPM yokes   | \$ 30    |
| 40.041.056.01                                  | Grille Frame w/Foam & Logo Plate, for CQ-1 and CQ-2   | \$ 330   |
| 40.041.060.01                                  | Grille Foam w/Logo Plate, for CQ-1 and CQ-2   | \$ 70    |
| 40.041.061.01                                  | Grille Frame w/Black Mesh & Logo Plate, for CQ-1 and CQ-2, new style  | \$ 330   |
| 40.041.061.02                                  | W/P Grille Frame Upgrade Kit, black mesh and logo plate, weather-protected, new style   | \$ 390   |
| 40.046.038.11                                  | MRF-CQ30, 30-degree rigging frame used for arraying ring-and-stud fitted CQ-2 loudspeaker systems                                     | \$ 320   |
| 40.076.117.01                                  | Dampened Handle Cup & Bar Side Mount, black   | \$ 40    |
| 40.105.092.01                                  | MTF-3D, transition frame - used to transition from M3D/M3D-Sub to 3 CQ-2s or 3 MSL-4s   | \$ 2,000 |



# Replacement Parts, Rigging, and Product Services

Prices Effective February 1, 2016



## DF-4

### DF-4 Amplifiers, Electronics & Cables

|               |   |          |
|---------------|---|----------|
| 40.033.002.01 | PSB-HP/MP/MPW, power supply board universal to all HP, MP, and MPW amplifiers                   | \$ 520   |
| 40.033.013.01 | AHA-MP-2, amplifier/heatsink assembly TOP module  | \$ 1,020 |
| 40.033.014.01 | PSC-HP-2/MP-2, power supply assembly - includes chassis, MP transformer, and power supply board | \$ 1,630 |
| 40.033.019.01 | HP/MP AC Mains PCBA, circuit board assembly, universal to all HP, MP, MPW, and LYON amplifiers  | \$ 360   |
| 40.033.042.24 | CBA-DF-4, TPL control board   | \$ 620   |
| 40.033.048.01 | RUP-MP-2/L, user panel for MP-2, L6-20 connector, 6-amp breakers                                | \$ 520   |
| 40.033.048.03 | RUP-MP-2/I, user panel for MP-2, IEC-309 connector, 6-amp breakers                              | \$ 520   |
| 40.033.058.01 | MP-2/4 XLR Input Board, includes polarity switch  | \$ 120   |
| 40.033.071.01 | HP/MP RMS, communication board upgrade/replacement, universal to all HP, MP, and MPW amplifiers | \$ 520   |

### DF-4 Drivers & Horns

|               |   |        |
|---------------|---|--------|
| 40.071.194.51 | MS-2010C, exchange driver* for MS-2010C | \$ 540 |
| 40.113.001.01 | ST-815, 8-ohm, 15-inch driver           | \$ 610 |
| 67.056.014.01 | Gasket, for 15-inch drivers             | \$ 10  |

### DF-4 Rainhoods, Fans & Misc.

|               |  |        |
|---------------|--|--------|
| 40.033.033.02 | RH-HP/MP, permanent rigid black rainhood kit - fits all HP/MP self-powered loudspeakers except MICA and PSM-2                    | \$ 90  |
| 40.033.128.01 | QRH-HP/MP, quick-clip transparent, removable rigid rainhood kit - fits all HP/MP self-powered loudspeakers except MICA and PSM-2 | \$ 280 |
| 40.033.128.05 | QRH-HP/MP, HP/MP replacement quick-clip rainhood - rainhood only, requires frame   | \$ 230 |
| 40.033.128.06 | HP/MP Rplcmnt Quick-Clip Mounting Frame, frame only  | \$ 60  |
| 40.105.034.01 | CRH-HP/MP, cloth collapsible rainhood kit - fits all HP/MP self-powered loudspeakers except MICA and PSM-2                       | \$ 280 |

### DF-4 Rigging & Cabinet Components

|               |                                 |       |
|---------------|---------------------------------|-------|
| 40.010.036.01 | Nut Plate Kit w/Screws, 3/8"-16 | \$ 40 |
|---------------|---------------------------------|-------|

## LD-1A

### LD-1A Amplifiers, Electronics & Cables

|               |   |        |
|---------------|---|--------|
| 40.037.003.01 | PSB-LD-1A/100, power supply module for LD-1A, 100V version                                | \$ 450 |
| 40.037.003.02 | PSB-LD-1A, power supply module for LD-1A  | \$ 450 |
| 40.037.018.01 | LD-1A, channel 1-2 board  | \$ 450 |
| 40.037.018.02 | LD-1A, channel 3-8 board  | \$ 320 |
| 538.009       | AC Power Cable, North American plug end 2.5 m for CP-10, LD-1A, PS-1, SIM, M1-A, and VX-1 | \$ 30  |
| 538.012       | AC Power Cable, European plug end, 2.5 m, for CP-10, LD-1A, PS-1, SIM, M1-A, and VX-1     | \$ 30  |

### LD-1A Rainhoods, Fans & Misc.

|               |   |       |
|---------------|---|-------|
| 40.101.015.01 | Replacement Rack-mount Side Bracket, for CP-10/CP-10S - also used in LD-1A and LD-3 | \$ 40 |
|---------------|---|-------|

## M1D

### M1D Amplifiers, Electronics & Cables

|               |  |          |
|---------------|--|----------|
| 40.084.008.01 | RMS Replacement/Upgrade Kit, comm board service kit                        | \$ 520   |
| 40.084.017.01 | AIM, 3-pin audio input module w/looping                                    | \$ 370   |
| 40.084.041.04 | CBA-M1D, control board   | \$ 620   |
| 40.084.080.01 | AIM, 5-pin audio input module w/looping                                    | \$ 440   |
| 40.115.004.01 | AHA-M1D, amplifier/heatsink assembly - includes amplifier and power supply | \$ 1,500 |

### M1D Drivers & Horns

|               |  |        |
|---------------|--|--------|
| 40.098.001.01 | ST-85, 8-ohm, 5-inch driver for HMS-5, M1D, MVC-5, UPM-1P/2P, UPM-1/2XP, UPM-1/2, and MPS-355/305        | \$ 160 |
| 40.115.015.01 | M1D HF Array Replacement, includes (3) 0.75-inch metal dome tweeters and horn assembly for M1D and MVC-5 | \$ 490 |
| 67.066.019.01 | Gasket, for 5-inch drivers   | \$ 5   |

### M1D Rainhoods, Fans & Misc.

|               |   |        |
|---------------|---|--------|
| 40.084.102.01 | Replacement Fan, for M1D, M1D-Sub, UPJ-1P, UPJunior, UPQ-1/2P, JM-1P, and 500-HP amplifier/heatsink | \$ 40  |
| 40.115.041.01 | RH-M1D, rainhood kit  | \$ 340 |

# Replacement Parts, Rigging, and Product Services

Prices Effective February 1, 2016



| <b>M1D Rigging &amp; Cabinet Components</b> |   |        |
|---|---|--------|
| 124.102                                     | M8 Knob Screw, 15mm long and washer   | \$ 30  |
| 134.020                                     | QRP Button-Head, 5/16" X 1.25"  | \$ 40  |
| 134.031                                     | Black Flat Head, 5/16" X 1.25", low profile model, removal tool 134.037 needed                        | \$ 50  |
| 134.037                                     | Low Profile Quick Pin Removal Tool, needed to install and remove low profile pins 134.030 and 134.031 | \$ 50  |
| 40.115.006.01                               | Grille Frame Replacement, for M1D   | \$ 240 |
| 61.115.016.01                               | M1D/M1D-Sub Connecting Link, used when connecting M1D/M1D-Sub to another M1D/M1D-Sub                  | \$ 120 |
| 61.115.112.01                               | M1D Grid Connecting Link, used when connecting MTG-1D grid or MG-1D grid to M1D/M1D-Sub               | \$ 230 |

## M2D

| <b>M2D Amplifiers, Electronics &amp; Cables</b> |  |          |
|---|--|----------|
| 40.076.010.07                                   | CBA-M2D, control board   | \$ 620   |
| 40.076.023.01                                   | UX Power Supply Module, PowerCON connector   | \$ 1,460 |
| 40.076.023.02                                   | UX Power Supply Module, VEAM connector   | \$ 1,660 |
| 40.076.024.01                                   | AIM-UX, audio input module with looping  | \$ 370   |
| 40.076.027.01                                   | AHA-UX, amplifier/heatsink module  | \$ 1,620 |
| 40.076.028.01                                   | RMS Replacement/Upgrade Kit, for Acheron Studio, M2D, UPA-1P/2P, UM-1P/100P, USM-1P/100P, and USW-1P | \$ 520   |
| 40.076.121.01                                   | AIM-UX, audio input module with looping, 5-pin XLR   | \$ 440   |

| <b>M2D Drivers &amp; Horns</b> *Exchange price reflects credit given upon receipt of rebuildable driver of same model |   |          |
|---|---|----------|
| 40.071.253.02   | MS-2010L, 4-inch diaphragm driver               | \$ 1,940 |
| 40.071.253.61   | MS-2010L, exchange driver* for MS-2010L         | \$ 540   |
| 40.126.001.01   | ST-410N, 4-ohm, 10-inch neodymium magnet driver | \$ 370   |
| 67.552.019.02   | Gasket, for 10-inch drivers                     | \$ 5     |

| <b>M2D Rainhoods, Fans &amp; Misc.</b> |   |        |
|--|---|--------|
| 40.054.044.01                          | UX Power Supply Replacement Fan, large connector, S/N between 9801xxxx and 0002xxxx | \$ 40  |
| 40.112.036.01                          | RH-M2D, rainhood kit  | \$ 350 |
| 40.112.072.01                          | M2D, external cooling fan kit   | \$ 130 |

| <b>M2D Rigging &amp; Cabinet Components</b> |  |          |
|---|--|----------|
| 134.007                                     | QRP Stainless Steel "T" Handle, 1/2" X 2.5" quick-release pin used throughout for connections on M3D and MG-2D grid rigging holes      | \$ 50    |
| 134.018                                     | QRP "T" Handle, 5/16" X 1.25", used in all M2D rigging holes   | \$ 40    |
| 134.019                                     | Hitch Pin Black Handle, 7/8" X 4-1/4", used for MG-2D grid   | \$ 40    |
| 40.112.009.01                               | M Series, M2D grille frame assembly  | \$ 330   |
| 40.112.025.01                               | M2D Side Rigging Frame Assembly, can be used on the left or right side   | \$ 930   |
| 40.112.050.01                               | MG-2D Grid Accessory Kit, multipurpose grid  | \$ 2,720 |
| 40.112.058.01                               | MTK-2D Transition Kit, used to connect M3D/M3D-Sub to MG-2D. Includes (4) 134.007 QRPs and (2) 61.112.029.01 transition links          | \$ 500   |
| 592.005                                     | Dust Cap, XLR Male, Black, plastic cover for screws on the M3D/M3D-Sub and M2D/M2D-Sub grille frames                                   | \$ 1     |
| 61.112.021.01                               | M2D/MRF-2D CamLink, used in M2D and M2D-Sub rear position  | \$ 120   |
| 61.112.023.01                               | M2D L-link, used in M2D and M2D-Sub front position   | \$ 120   |
| 61.112.027.01                               | M2D Adjustable Bar, blue, used to connect MG-2D grid to M2D for extended angles  | \$ 120   |
| 61.112.029.01                               | MG-2D Grid Transition Link, used when connecting M3D rear to MG-2D grid  | \$ 130   |
| 61.112.032.01                               | Down Tilt L-link, blue link, used to connect M2D-Sub to M2D when ground-stacking. Used in conjunction with adjustable bar in the REAR. | \$ 120   |
| 61.112.051.01                               | MG-2D Grid CamLink, blue link, used to connect MG-2D grid to M2D in rear position  | \$ 120   |
| 61.112.052.01                               | Grid L-link, blue link, used to connect MG-2D grid to M2D in FRONT position  | \$ 120   |

## M2D-Sub

| <b>M2D-Sub Amplifiers, Electronics &amp; Cables</b> |   |          |
|---|---|----------|
| 40.033.002.01                                       | PSB-HP/MP/MPW, power supply board universal to all HP, MP, and MPW amplifiers                   | \$ 520   |
| 40.033.014.01                                       | PSC-HP-2/MP-2, power supply assembly - includes chassis, MP transformer, and power supply board | \$ 1,630 |
| 40.033.019.01                                       | HP/MP AC Mains PCBA, circuit board assembly, universal to all HP, MP, MPW, and LYON amplifiers  | \$ 360   |
| 40.033.042.33                                       | CBA-M2D-Sub, TPL control board  | \$ 620   |

# Replacement Parts, Rigging, and Product Services

Prices Effective February 1, 2016



|   |  |          |
|---|--|----------|
| 40.033.045.70                                   | HP-2/M2D-Sub, PowerCON connector, TPL, RMS amplifier   | \$ 4,780 |
| 40.033.045.72                                   | HP-2/M2D-Sub, VEAM connector, TPL, RMS amplifier   | \$ 4,960 |
| 40.033.071.01                                   | HP/MP RMS, communication board upgrade/replacement, universal to all HP, MP, and MPW amplifiers  | \$ 520   |
| 40.033.327.01                                   | AHA-HP-2/4, amplifier/heatsink assembly TOP module used in M2D-Sub, 700-HP, 600-HP, MILO, M3D/M3D-Sub TOP, and Acheron LF              | \$ 1,080 |
| 40.033.340.01                                   | RUP-HP-2/P, user panel for HP-2, PowerCON connector, 10-amp breakers for 600-HP and M2D-Sub  | \$ 520   |
| 40.033.340.02                                   | RUP-HP-2/V, user panel for HP-2, VEAM connector, 10-amp breakers for 700-HP, 600-HP, and M2D-Sub                                       | \$ 730   |
| 40.033.348.01                                   | RUP-HP-2/4/L, input board, XLR, L6-20 user panel, no pol. switch   | \$ 120   |
| 40.033.348.02                                   | RUP-HP-2/4/I-V, input board, XLR, IEC-309/VEAM user panel, no pol. switch  | \$ 120   |
| <b>M2D-Sub Drivers &amp; Horns</b>              |  |          |
| 40.122.001.01                                   | ST-415N, 4-ohm, 15-inch, neodymium magnet driver for M3D (front) and M2D-Sub   | \$ 900   |
| 67.056.014.01                                   | Gasket, for 15-inch drivers  | \$ 10    |
| <b>M2D-Sub Rainhoods, Fans &amp; Misc.</b>      |  |          |
| 40.033.128.01                                   | QRH-HP/MP, quick-clip transparent, removable rigid rainhood kit - fits all HP/MP self-powered loudspeakers except MICA and PSM-2       | \$ 280   |
| 40.033.128.05                                   | QRH-HP/MP, HP/MP replacement quick-clip rainhood - rainhood only, requires frame   | \$ 230   |
| 40.033.128.06                                   | HP/MP Rplcmnt Quick-Clip Mounting Frame, frame only  | \$ 60    |
| 40.105.034.01                                   | CRH-HP/MP, cloth collapsible rainhood kit - fits all HP/MP self-powered loudspeakers except MICA and PSM-2                             | \$ 280   |
| <b>M2D-Sub Rigging &amp; Cabinet Components</b> |  |          |
| 134.007   | QRP Stainless Steel "T" Handle, 1/2" X 2.5" quick-release pin used throughout for connections on M3D and MG-2D grid rigging holes      | \$ 50    |
| 134.019   | Hitch Pin Black Handle, 7/8" X 4-1/4", used for MG-2D grid   | \$ 40    |
| 40.112.050.01                                   | MG-2D Grid Accessory Kit, multipurpose grid  | \$ 2,720 |
| 40.112.058.01                                   | MTK-2D Transition Kit, used to connect M3D/M3D-Sub to MG-2D. Includes (4) 134.007 QRPs and (2) 61.112.029.01 transition links          | \$ 500   |
| 40.114.005.01                                   | Grille Frame Replacement Kit, for M2D-Sub  | \$ 390   |
| 40.114.015.01                                   | M2D-SUB Side Rigging Frame Assembly Kit, can be used on the left or right side   | \$ 930   |
| 592.005   | Dust Cap, XLR Male, Black, plastic cover for screws on the M3D/M3D-Sub and M2D/M2D-Sub grille frames                                   | \$ 1     |
| 61.112.021.01                                   | M2D/MRF-2D CamLink, used in M2D and M2D-Sub rear position  | \$ 120   |
| 61.112.023.01                                   | M2D L-link, used in M2D and M2D-Sub front position   | \$ 120   |
| 61.112.027.01                                   | M2D Adjustable Bar, blue, used to connect MG-2D grid to M2D for extended angles  | \$ 120   |
| 61.112.029.01                                   | MG-2D Grid Transition Link, used when connecting M3D rear to MG-2D grid  | \$ 130   |
| 61.112.032.01                                   | Down Tilt L-link, blue link, used to connect M2D-Sub to M2D when ground-stacking. Used in conjunction with adjustable bar in the REAR. | \$ 120   |
| 61.112.051.01                                   | MG-2D Grid CamLink, blue link, used to connect MG-2D grid to M2D in rear position  | \$ 120   |
| 61.112.052.01                                   | Grid L-link, blue link, used to connect MG-2D grid to M2D in FRONT position  | \$ 120   |
| <b>M3D</b>                                      |  |          |
| <b>M3D Amplifiers, Electronics &amp; Cables</b> |  |          |
| 40.033.002.01                                   | PSB-HP/MP/MPW, power supply board universal to all HP, MP, and MPW amplifiers  | \$ 520   |
| 40.033.014.01                                   | PSC-HP-2/MP-2, power supply assembly - includes chassis, MP transformer, and power supply board  | \$ 1,630 |
| 40.033.019.01                                   | HP/MP AC Mains PCBA, circuit board assembly, universal to all HP, MP, MPW, and LYON amplifiers   | \$ 360   |
| 40.033.042.25                                   | CBA-M3DT, TPL control board, TOP   | \$ 620   |
| 40.033.042.26                                   | CBA-M3D/B, TPL control board, BOTTOM   | \$ 620   |
| 40.033.071.01                                   | HP/MP RMS, communication board upgrade/replacement, universal to all HP, MP, and MPW amplifiers  | \$ 520   |
| 40.033.327.01                                   | AHA-HP-2/4, amplifier/heatsink assembly TOP module used in M2D-Sub, 700-HP, 600-HP, MILO, M3D/M3D-Sub TOP, and Acheron LF              | \$ 1,080 |
| 40.033.330.01                                   | AHA-HP-4/B, amplifier/heatsink assembly used in MILO, M3D/M3D-Sub, and MICA - BOTTOM position  | \$ 1,080 |
| 40.033.334.01                                   | HP-4/M3D, L6-20, TPL, RMS amplifier  | \$ 6,680 |
| 40.033.335.01                                   | HP-4/M3D, IEC 309, TPL, RMS amplifier  | \$ 6,680 |
| 40.033.336.01                                   | HP-4/M3D, VEAM, TPL, RMS amplifier   | \$ 6,870 |
| 40.033.337.01                                   | RUP-HP-4/L, user panel for HP-4, L6-20 connector, 15-amp breakers for MILO and M3D/M3D-Sub   | \$ 520   |
| 40.033.338.01                                   | RUIP-HP-4/I, user panel for HP-4, IEC-309 connector, 15-amp breakers for MILO and M3D/M3D-Sub  | \$ 520   |
| 40.033.339.01                                   | RUP-HP-4/V, user panel for HP-4, VEAM connector, 15-amp breakers for MILO and M3D/M3D-Sub  | \$ 730   |
| 40.033.341.01                                   | PSB-M3D/M3D-SUB/MILO, HP-4 power supply assembly - includes chassis, HP transformer, and power supply board                            | \$ 1,940 |
| 40.033.348.01                                   | RUP-HP-2/4/L, input board, XLR, L6-20 user panel, no pol. switch   | \$ 120   |

# Replacement Parts, Rigging, and Product Services

Prices Effective February 1, 2016



|   |  |          |
|---|--|----------|
| 40.033.348.02   | RUP-HP-2/4/I-V, input board, XLR, IEC-309/VEAM user panel, no pol. switch  | \$ 120   |
| <b>M3D Drivers &amp; Horns</b> *Exchange price reflects credit given upon receipt of rebuildable driver of same model |  |          |
| 40.071.253.02   | MS-2010L, 4-inch diaphragm driver  | \$ 1,940 |
| 40.071.253.61   | MS-2010L, exchange driver* for MS-2010L  | \$ 540   |
| 40.105.102.01   | Replacement High Horn, for M3D   | \$ 2,690 |
| 40.113.001.01   | ST-815, 8-ohm, 15-inch driver  | \$ 610   |
| 40.122.001.01   | ST-415N, 4-ohm, 15-inch, neodymium magnet driver for M3D (front) and M2D-Sub   | \$ 900   |
| 67.056.014.01   | Gasket, for 15-inch drivers  | \$ 10    |
| <b>M3D Rainhoods, Fans &amp; Misc.</b>  |  |          |
| 40.033.128.01   | QRH-HP/MP, quick-clip transparent, removable rigid rainhood kit - fits all HP/MP self-powered loudspeakers except MICA and PSM-2                     | \$ 280   |
| 40.105.034.01   | CRH-HP/MP, cloth collapsible rainhood kit - fits all HP/MP self-powered loudspeakers except MICA and PSM-2   | \$ 280   |
| 61.105.034.01   | M3D Rainhood Plastic Strut, replacement strut for the HP/MP collapsible rainhood - used inside the rainhood to keep it in the extended position      | \$ 5     |
| 712.010   | Replacement 6-inch Solid Caster, for M3D caster rail   | \$ 150   |
| <b>M3D Rigging &amp; Cabinet Components</b>   |  |          |
| 124.078   | MG-3D/M Replacement Leveling Foot, all stainless steel assembly, for use with the MG-3D/M grid when ground-stacking                                  | \$ 100   |
| 134.007   | QRP Stainless Steel "T" Handle, 1/2" X 2.5" quick-release pin used throughout for connections on M3D and MG-2D grid rigging holes                    | \$ 50    |
| 134.008   | Hitch Pin Style B, 1" x 7", used for MTG-3D top grid   | \$ 50    |
| 134.019   | Hitch Pin Black Handle, 7/8" X 4-1/4", used for MG-2D grid   | \$ 40    |
| 134.023   | QRP Red Button-Head w/Lanyard, 3/8" X 1.5", used with MG-3D/M grid for MILO, MG-MICA, and caster frames MCF-MILO and MCF-MICA                        | \$ 50    |
| 40.105.092.01   | MTF-3D, transition frame - used to transition from M3D/M3D-Sub to 3 CQ-2s or 3 MSL-4s  | \$ 2,000 |
| 40.105.093.01   | Front Grille Frame Service Kit, for M3D  | \$ 470   |
| 40.105.094.01   | Rear Grille Frame Service Kit, for M3D and M3D-Sub   | \$ 270   |
| 40.105.103.01   | M3D/M3D-SUB Lt Rigging Frame Rplcmnt Kit, as viewed from the front   | \$ 1,800 |
| 40.105.103.02   | M3D/M3D-SUB Rt Rigging Frame Rplcmnt Kit, M3D/M3D-Sub right side rigging frame replacement kit, as viewed from the front                             | \$ 1,800 |
| 40.105.104.01   | M3D/M3D-Sub, front CamLink   | \$ 370   |
| 40.105.104.02   | M3D/M3D-Sub, rear link   | \$ 320   |
| 40.112.050.01   | MG-2D Grid Accessory Kit, multipurpose grid  | \$ 2,720 |
| 40.112.058.01   | MTK-2D Transition Kit, used to connect M3D/M3D-Sub to MG-2D. Includes (4) 134.007 QRPs and (2) 61.112.029.01 transition links                        | \$ 500   |
| 40.132.035.01   | MG-3D/M, multipurpose grid - used to fly or ground-stack MILO, M3D, and M3D-Sub arrays. The MLK-MILO or MLK-3D link kit is required to attach MILO o | \$ 4,270 |
| 40.132.120.01   | MLK-3D Link Kit, contains links and pins needed to connect MG-3D/M grid to M3D/M3D-Sub   | \$ 610   |
| 40.132.125.01   | MILO Rigging and Replacements, link kit - contains links and pins needed to connect MG-3D/M grid to MILO   | \$ 610   |
| 592.005   | Dust Cap, XLR Male, Black, plastic cover for screws on the M3D/M3D-Sub and M2D/M2D-Sub grille frames   | \$ 1     |
| 61.112.029.01   | MG-2D Grid Transition Link, used when connecting M3D rear to MG-2D grid  | \$ 130   |
| 61.112.051.01   | MG-2D Grid CamLink, blue link, used to connect MG-2D grid to M2D in rear position  | \$ 120   |
| 61.112.052.01   | Grid L-link, blue link, used to connect MG-2D grid to M2D in FRONT position  | \$ 120   |
| 61.132.115.01   | MATB-3D, adjustable transition bar - used when attaching MTR-3D/M to M3D/M3D-Sub   | \$ 310   |
| 61.132.115.02   | MTL-3D, transition link - used when attaching MG-3D/M grid to M3D/M3D-Sub  | \$ 130   |
| 68.105.072.01   | Rigging Spacer Tool, for M3D   | \$ 150   |
| <b>M3D-Sub</b>  |  |          |
| <b>M3D-Sub Amplifiers, Electronics &amp; Cables</b>   |  |          |
| 40.033.002.01   | PSB-HP/MP/MPW, power supply board universal to all HP, MP, and MPW amplifiers  | \$ 520   |
| 40.033.014.01   | PSC-HP-2/MP-2, power supply assembly - includes chassis, MP transformer, and power supply board  | \$ 1,630 |
| 40.033.019.01   | HP/MP AC Mains PCBA, circuit board assembly, universal to all HP, MP, MPW, and LYON amplifiers   | \$ 360   |
| 40.033.042.31   | CBA-M3D-Sub/B, TPL control board, BOTTOM   | \$ 620   |
| 40.033.042.32   | CBA-M3D-Sub/T, TPL control board, TOP  | \$ 620   |
| 40.033.071.01   | HP/MP RMS, communication board upgrade/replacement, universal to all HP, MP, and MPW amplifiers  | \$ 520   |
| 40.033.327.01   | AHA-HP-2/4, amplifier/heatsink assembly TOP module used in M2D-Sub, 700-HP, 600-HP, MILO, M3D/M3D-Sub TOP, and Acheron LF                            | \$ 1,080 |
| 40.033.330.01   | AHA-HP-4/B, amplifier/heatsink assembly used in MILO, M3D/M3D-Sub, and MICA - BOTTOM position  | \$ 1,080 |
| 40.033.337.01   | RUP-HP-4/L, user panel for HP-4, L6-20 connector, 15-amp breakers for MILO and M3D/M3D-Sub   | \$ 520   |

# Replacement Parts, Rigging, and Product Services

Prices Effective February 1, 2016



|  |  |          |
|--|--|----------|
| 40.033.338.01                                    | RUIP-HP-4/I, user panel for HP-4, IEC-309 connector, 15-amp breakers for MILO and M3D/M3D-Sub  | \$ 520   |
| 40.033.339.01                                    | RUP-HP-4/V, user panel for HP-4, VEAM connector, 15-amp breakers for MILO and M3D/M3D-Sub  | \$ 730   |
| 40.033.341.01                                    | PSB-M3D/M3D-SUB/MILO, HP-4 power supply assembly - includes chassis, HP transformer, and power supply board  | \$ 1,940 |
| 40.033.342.01                                    | HP-4/M3D-Sub, L6-20, TPL, RMS amplifier  | \$ 6,680 |
| 40.033.343.01                                    | HP-4/M3D-Sub, IEC 309, TPL, RMS amplifier  | \$ 6,680 |
| 40.033.348.01                                    | RUP-HP-2/4/L, input board, XLR, L6-20 user panel, no pol. switch   | \$ 120   |
| 40.033.348.02                                    | RUP-HP-2/4/I-V, input board, XLR, IEC-309/VEAM user panel, no pol. switch  | \$ 120   |
| <b>M3D-Sub Drivers &amp; Horns</b>               |  |          |
| 40.010.037.01                                    | Gaskets, for 18-inch drivers   | \$ 30    |
| 40.010.248.01                                    | MS-418N, driver service kit  | \$ 990   |
| 40.113.001.01                                    | ST-815, 8-ohm, 15-inch driver  | \$ 610   |
| 40.125.001.01                                    | ST-418N, 4-ohm, 18-inch neodymium magnet driver for M3D-Sub (front)  | \$ 1,040 |
| 67.056.014.01                                    | Gasket, for 15-inch drivers  | \$ 10    |
| <b>M3D-Sub Rainhoods, Fans &amp; Misc.</b>       |  |          |
| 40.033.128.01                                    | QRH-HP/MP, quick-clip transparent, removable rigid rainhood kit - fits all HP/MP self-powered loudspeakers except MICA and PSM-2                     | \$ 280   |
| 40.033.128.05                                    | QRH-HP/MP, HP/MP replacement quick-clip rainhood - rainhood only, requires frame   | \$ 230   |
| 40.033.128.06                                    | HP/MP Rplcmnt Quick-Clip Mounting Frame, frame only  | \$ 60    |
| 40.105.034.01                                    | CRH-HP/MP, cloth collapsible rainhood kit - fits all HP/MP self-powered loudspeakers except MICA and PSM-2   | \$ 280   |
| <b>M3D-Sub Rigging &amp; Cabinet Components</b>  |  |          |
| 124.078  | MG-3D/M Replacement Leveling Foot, all stainless steel assembly, for use with the MG-3D/M grid when ground-stacking                                  | \$ 100   |
| 134.023  | QRP Red Button-Head w/Lanyard, 3/8" X 1.5", used with MG-3D/M grid for MILO, MG-MICA, and caster frames MCF-MILO and MCF-MICA                        | \$ 50    |
| 40.105.092.01                                    | MTF-3D, transition frame - used to transition from M3D/M3D-Sub to 3 CQ-2s or 3 MSL-4s  | \$ 2,000 |
| 40.105.094.01                                    | Rear Grille Frame Service Kit, for M3D and M3D-Sub   | \$ 270   |
| 40.105.103.01                                    | M3D/M3D-SUB Lt Rigging Frame Rplcmnt Kit, as viewed from the front   | \$ 1,800 |
| 40.105.103.02                                    | M3D/M3D-SUB Rt Rigging Frame Rplcmnt Kit, M3D/M3D-Sub right side rigging frame replacement kit, as viewed from the front                             | \$ 1,800 |
| 40.105.104.01                                    | M3D/M3D-Sub, front CamLink   | \$ 370   |
| 40.105.104.02                                    | M3D/M3D-Sub, rear link   | \$ 320   |
| 40.106.011.01                                    | Front Grille Frame Assembly, for M3D-Sub   | \$ 470   |
| 40.112.058.01                                    | MTK-2D Transition Kit, used to connect M3D/M3D-Sub to MG-2D. Includes (4) 134.007 QRPs and (2) 61.112.029.01 transition links                        | \$ 500   |
| 40.132.035.01                                    | MG-3D/M, multipurpose grid - used to fly or ground-stack MILO, M3D, and M3D-Sub arrays. The MLK-MILO or MLK-3D link kit is required to attach MILO o | \$ 4,270 |
| 40.132.120.01                                    | MLK-3D Link Kit, contains links and pins needed to connect MG-3D/M grid to M3D/M3D-Sub   | \$ 610   |
| 40.132.125.01                                    | MILO Rigging and Replacements, link kit - contains links and pins needed to connect MG-3D/M grid to MILO   | \$ 610   |
| 592.005  | Dust Cap, XLR Male, Black, plastic cover for screws on the M3D/M3D-Sub and M2D/M2D-Sub grille frames   | \$ 1     |
| 61.132.115.01                                    | MATB-3D, adjustable transition bar - used when attaching MTR-3D/M to M3D/M3D-Sub   | \$ 310   |
| 61.132.115.02                                    | MTL-3D, transition link - used when attaching MG-3D/M grid to M3D/M3D-Sub  | \$ 130   |
| <b>MILO</b>                                      |  |          |
| <b>MILO Amplifiers, Electronics &amp; Cables</b> |  |          |
| 40.033.002.01                                    | PSB-HP/MP/MPW, power supply board universal to all HP, MP, and MPW amplifiers  | \$ 520   |
| 40.033.014.01                                    | PSC-HP-2/MP-2, power supply assembly - includes chassis, MP transformer, and power supply board  | \$ 1,630 |
| 40.033.019.01                                    | HP/MP AC Mains PCBA, circuit board assembly, universal to all HP, MP, MPW, and LYON amplifiers   | \$ 360   |
| 40.033.042.34                                    | CBA-MILO/MILO60/B, TPL control board, BOTTOM   | \$ 620   |
| 40.033.042.35                                    | CBA-MILO90/T, TPL control board, TOP   | \$ 620   |
| 40.033.042.36                                    | CBA-MILO60T, TPL control board, TOP  | \$ 620   |
| 40.033.042.41                                    | CBA-MILO120/B, TPL control board, BOTTOM   | \$ 620   |
| 40.033.042.42                                    | CBA-MILO120/T, TPL control board, TOP  | \$ 620   |
| 40.033.045.62                                    | HP-4/MILO 60, VEAM, TPL, RMS amplifier   | \$ 6,670 |
| 40.033.045.83                                    | HP-4/MILO 60, L6-20, TPL, RMS amplifier  | \$ 6,680 |
| 40.033.045.89                                    | HP-4/MILO 120, L6-20, TPL, RMS amplifier   | \$ 6,680 |
| 40.033.045.90                                    | HP-4/MILO 120, IEC 309, TPL, RMS amplifier   | \$ 6,680 |

# Replacement Parts, Rigging, and Product Services

Prices Effective February 1, 2016



|  |  |          |
|--|--|----------|
| 40.033.045.91  | HP-4/MILO 120, VEAM, TPL, RMS amplifier  | \$ 6,870 |
| 40.033.045.97  | HP-4/MILO 60, IEC 309, TPL, RMS amplifier  | \$ 6,490 |
| 40.033.071.01  | HP/MP RMS, communication board upgrade/replacement, universal to all HP, MP, and MPW amplifiers  | \$ 520   |
| 40.033.327.01  | AHA-HP-2/4, amplifier/heatsink assembly TOP module used in M2D-Sub, 700-HP, 600-HP, MILO, M3D/M3D-Sub TOP, and Acheron LF                            | \$ 1,080 |
| 40.033.330.01  | AHA-HP-4/B, amplifier/heatsink assembly used in MILO, M3D/M3D-Sub, and MICA - BOTTOM position  | \$ 1,080 |
| 40.033.337.01  | RUP-HP-4/L, user panel for HP-4, L6-20 connector, 15-amp breakers for MILO and M3D/M3D-Sub   | \$ 520   |
| 40.033.338.01  | RUIP-HP-4/I, user panel for HP-4, IEC-309 connector, 15-amp breakers for MILO and M3D/M3D-Sub  | \$ 520   |
| 40.033.339.01  | RUP-HP-4/V, user panel for HP-4, VEAM connector, 15-amp breakers for MILO and M3D/M3D-Sub  | \$ 730   |
| 40.033.341.01  | PSB-M3D/M3D-SUB/MILO, HP-4 power supply assembly - includes chassis, HP transformer, and power supply board  | \$ 1,940 |
| 40.033.348.01  | RUP-HP-2/4/L, input board, XLR, L6-20 user panel, no pol. switch   | \$ 120   |
| 40.033.348.02  | RUP-HP-2/4/I-V, input board, XLR, IEC-309/VEAM user panel, no pol. switch  | \$ 120   |
| 40.033.389.01  | HP-4/MILO, L6-20, TPL, RMS amplifier   | \$ 6,680 |
| 40.033.390.01  | HP-4/MILO, IEC 309, TPL, RMS amplifier   | \$ 6,680 |
| 40.033.391.01  | HP-4/MILO, VEAM, TPL, RMS amplifier  | \$ 6,870 |
| 40.033.416.01  | HP-4/MILO, VEAM, UWP, TPL, RMS amplifier   | \$ 7,900 |
| <b>MILO Drivers &amp; Horns</b>  |  |          |
| *Exchange price reflects credit given upon receipt of rebuildable driver of same model |  |          |
| 40.071.253.02  | MS-2010L, 4-inch diaphragm driver  | \$ 1,940 |
| 40.071.253.61  | MS-2010L, exchange driver* for MS-2010L  | \$ 540   |
| 40.130.001.01  | ST-412N, 4-ohm, 12-inch neodymium magnet driver  | \$ 850   |
| 40.133.001.01  | MS-1010L, 2-inch diaphragm driver  | \$ 650   |
| 40.133.001.51  | MS-1010L, exchange driver* for MS-1010L  | \$ 360   |
| 67.051.038.01  | Gasket, for 12-inch drivers  | \$ 5     |
| <b>MILO Rainhoods, Fans &amp; Misc.</b>  |  |          |
| 40.033.128.01  | QRH-HP/MP, quick-clip transparent, removable rigid rainhood kit - fits all HP/MP self-powered loudspeakers except MICA and PSM-2                     | \$ 280   |
| 40.033.128.05  | QRH-HP/MP, HP/MP replacement quick-clip rainhood - rainhood only, requires frame   | \$ 230   |
| 40.033.128.06  | HP/MP Rplcmnt Quick-Clip Mounting Frame, frame only  | \$ 60    |
| 40.105.034.01  | CRH-HP/MP, cloth collapsible rainhood kit - fits all HP/MP self-powered loudspeakers except MICA and PSM-2   | \$ 280   |
| 712.011  | Replacement Caster, grey, 5-inch solid caster  | \$ 90    |
| <b>MILO Rigging &amp; Cabinet Components</b>   |  |          |
| 124.078  | MG-3D/M Replacement Leveling Foot, all stainless steel assembly, for use with the MG-3D/M grid when ground-stacking                                  | \$ 100   |
| 134.007  | QRP Stainless Steel "T" Handle, 1/2" X 2.5" quick-release pin used throughout for connections on M3D and MG-2D grid rigging holes                    | \$ 50    |
| 134.019  | Hitch Pin Black Handle, 7/8" X 4-1/4", used for MG-2D grid   | \$ 40    |
| 134.021  | QRP Blue Button-Head, 3/8" X 1.125", used in all MILO, MICA, 700-HP, and 600-HP (except in MILO front-bottom positions - see 134.022)                | \$ 50    |
| 134.022  | QRP Black Small Button-Head, 3/8" X 1.125", two used in MILO to semi-permanently secure the front AlignaLinks  | \$ 50    |
| 134.023  | QRP Red Button-Head w/Lanyard, 3/8" X 1.5", used with MG-3D/M grid for MILO, MG-MICA, and caster frames MCF-MILO and MCF-MICA                        | \$ 50    |
| 134.038  | Black Flat Head, 3/8" X 1.125", low profile model, removal tool 134.037 needed   | \$ 60    |
| 40.105.092.01  | MTF-3D, transition frame - used to transition from M3D/M3D-Sub to 3 CQ-2s or 3 MSL-4s  | \$ 2,000 |
| 40.112.050.01  | MG-2D Grid Accessory Kit, multipurpose grid  | \$ 2,720 |
| 40.112.058.01  | MTK-2D Transition Kit, used to connect M3D/M3D-Sub to MG-2D. Includes (4) 134.007 QRPs and (2) 61.112.029.01 transition links                        | \$ 500   |
| 40.132.020.01  | MILO left side rigging frame kit, as viewed from the front   | \$ 1,710 |
| 40.132.020.02  | MILO rt side rigging frame rplcmnt kit, as viewed from the front   | \$ 1,710 |
| 40.132.035.01  | MG-3D/M, multipurpose grid - used to fly or ground-stack MILO, M3D, and M3D-Sub arrays. The MLK-MILO or MLK-3D link kit is required to attach MILO o | \$ 4,270 |
| 40.132.052.01  | Grille Frame Replacement Kit, for MILO, MILO 60, and MILO 120  | \$ 470   |
| 40.132.052.02  | W/P Grille Frame Replacement, weather-protected  | \$ 580   |
| 40.132.125.01  | MILO Rigging and Replacements, link kit - contains links and pins needed to connect MG-3D/M grid to MILO   | \$ 610   |
| 40.132.130.01  | MVE-MILO Vertical Extension Bar Kit, includes 2 bars. Used to increase splay angle to 13 degrees (MILO and MILO 60 only).                            | \$ 580   |
| 61.112.027.01  | M2D Adjustable Bar, blue, used to connect MG-2D grid to M2D for extended angles  | \$ 120   |
| 61.112.029.01  | MG-2D Grid Transition Link, used when connecting M3D rear to MG-2D grid  | \$ 130   |
| 61.112.051.01  | MG-2D Grid CamLink, blue link, used to connect MG-2D grid to M2D in rear position  | \$ 120   |
| 61.112.052.01  | Grid L-link, blue link, used to connect MG-2D grid to M2D in FRONT position  | \$ 120   |

# Replacement Parts, Rigging, and Product Services

Prices Effective February 1, 2016



|               |  |        |
|---------------|--|--------|
| 61.132.027.03 | MILO Front Triangular AlignaLink, (MILO and MILO 60 only)                        | \$ 120 |
| 61.132.028.01 | MILO Rear AlignaLink, (MILO and MILO 60 only)                                    | \$ 130 |
| 61.132.037.02 | MVE-MILO, vertical extension replacement bar (MILO and MILO 60 only)             | \$ 310 |
| 61.132.115.01 | MATB-3D, adjustable transition bar - used when attaching MTR-3D/M to M3D/M3D-Sub | \$ 310 |
| 61.132.115.02 | MTL-3D, transition link - used when attaching MG-3D/M grid to M3D/M3D-Sub        | \$ 130 |
| 61.142.104.01 | MFAL-MILO 120, extended front AlignaLink (MILO 120 only)                         | \$ 150 |
| 61.142.105.01 | MILO 120 Extended Rear AlignaLink, (MILO 120 only)                               | \$ 240 |

## PSM-2

### PSM-2 Amplifiers, Electronics & Cables

|               |   |          |
|---------------|---|----------|
| 40.033.002.01 | PSB-HP/MP/MPW, power supply board universal to all HP, MP, and MPW amplifiers                   | \$ 520   |
| 40.033.013.01 | AHA-MP-2, amplifier/heatsink assembly TOP module  | \$ 1,020 |
| 40.033.014.01 | PSC-HP-2/MP-2, power supply assembly - includes chassis, MP transformer, and power supply board | \$ 1,630 |
| 40.033.019.01 | HP/MP AC Mains PCBA, circuit board assembly, universal to all HP, MP, MPW, and LYON amplifiers  | \$ 360   |
| 40.033.042.09 | CBA-PSM-2, TPL control board  | \$ 620   |
| 40.033.045.15 | MP-2/PSM-2, L6-20, TPL, RMS amplifier   | \$ 4,720 |
| 40.033.045.16 | MP-2/PSM-2, IEC 309, TPL, RMS amplifier   | \$ 4,720 |
| 40.033.048.01 | RUP-MP-2/L, user panel for MP-2, L6-20 connector, 6-amp breakers                                | \$ 520   |
| 40.033.048.03 | RUP-MP-2/I, user panel for MP-2, IEC-309 connector, 6-amp breakers                              | \$ 520   |
| 40.033.058.01 | MP-2/4 XLR Input Board, includes polarity switch  | \$ 120   |
| 40.033.063.15 | MP-2/PSM-2, L6-20, TPL amplifier  | \$ 4,200 |
| 40.033.063.16 | MP-2/PSM-2, IEC 309, TPL amplifier  | \$ 4,200 |
| 40.033.071.01 | HP/MP RMS, communication board upgrade/replacement, universal to all HP, MP, and MPW amplifiers | \$ 520   |

### PSM-2 Drivers & Horns

\*Exchange price reflects credit given upon receipt of rebuildable driver of same model

|               |  |          |
|---------------|--|----------|
| 40.044.010.01 | Replacement High Horns, for PSM-2 and MJF-212A       | \$ 640   |
| 40.071.194.01 | MS-2010C, 4-inch diaphragm driver                    | \$ 1,940 |
| 40.071.194.51 | MS-2010C, exchange driver* for MS-2010C              | \$ 540   |
| 40.107.013.01 | ST-812, 8-ohm, 12-inch driver - equivalent to MS-812 | \$ 520   |
| 67.051.038.01 | Gasket, for 12-inch drivers                          | \$ 5     |

### PSM-2 Rainhoods, Fans & Misc.

|               |  |        |
|---------------|--|--------|
| 40.033.128.01 | QRH-HP/MP, quick-clip transparent, removable rigid rainhood kit - fits all HP/MP self-powered loudspeakers except MICA and PSM-2 | \$ 280 |
| 40.033.128.05 | QRH-HP/MP, HP/MP replacement quick-clip rainhood - rainhood only, requires frame   | \$ 230 |
| 40.033.128.06 | HP/MP Rplcmnt Quick-Clip Mounting Frame, frame only  | \$ 60  |

### PSM-2 Rigging & Cabinet Components

|               |   |        |
|---------------|---|--------|
| 40.044.019.01 | Grille Frame w/Foam & Logo Plate, for PSM-2 | \$ 290 |
| 40.044.020.01 | Grille Foam w/Logo Plate, for PSM-2         | \$ 70  |
| 40.076.117.02 | Dampened Small Handle Cup & Bar, black      | \$ 40  |

## PSW-2

### PSW-2 Amplifiers, Electronics & Cables

|               |   |          |
|---------------|---|----------|
| 40.033.002.01 | PSB-HP/MP/MPW, power supply board universal to all HP, MP, and MPW amplifiers                   | \$ 520   |
| 40.033.013.01 | AHA-MP-2, amplifier/heatsink assembly TOP module  | \$ 1,020 |
| 40.033.014.01 | PSC-HP-2/MP-2, power supply assembly - includes chassis, MP transformer, and power supply board | \$ 1,630 |
| 40.033.019.01 | HP/MP AC Mains PCBA, circuit board assembly, universal to all HP, MP, MPW, and LYON amplifiers  | \$ 360   |
| 40.033.042.05 | CBA-650-P/PSW-2, TPL control board  | \$ 620   |
| 40.033.045.19 | MP-2/PSW-2, L6-20, TPL, RMS amplifier   | \$ 4,720 |
| 40.033.045.20 | MP-2/PSW-2, IEC 309, TPL, RMS amplifier   | \$ 4,720 |
| 40.033.048.01 | RUP-MP-2/L, user panel for MP-2, L6-20 connector, 6-amp breakers                                | \$ 520   |
| 40.033.048.03 | RUP-MP-2/I, user panel for MP-2, IEC-309 connector, 6-amp breakers                              | \$ 520   |
| 40.033.058.01 | MP-2/4 XLR Input Board, includes polarity switch  | \$ 120   |

# Replacement Parts, Rigging, and Product Services

Prices Effective February 1, 2016



|   |  |          |
|---|--|----------|
| 40.033.063.19                                     | MP-2/PSW-2, L6-20, TPL amplifier   | \$ 4,200 |
| 40.033.063.20                                     | MP-2/PSW-2, IEC 309, TPL amplifier   | \$ 4,200 |
| 40.033.071.01                                     | HP/MP RMS, communication board upgrade/replacement, universal to all HP, MP, and MPW amplifiers                                  | \$ 520   |
| <b>PSW-2 Drivers &amp; Horns</b>                  |  |          |
| 40.113.001.01                                     | ST-815, 8-ohm, 15-inch driver  | \$ 610   |
| 67.056.014.01                                     | Gasket, for 15-inch drivers  | \$ 10    |
| <b>PSW-2 Rainhoods, Fans &amp; Misc.</b>          |  |          |
| 40.033.033.02                                     | RH-HP/MP, permanent rigid black rainhood kit - fits all HP/MP self-powered loudspeakers except MICA and PSM-2                    | \$ 90    |
| 40.033.128.01                                     | QRH-HP/MP, quick-clip transparent, removable rigid rainhood kit - fits all HP/MP self-powered loudspeakers except MICA and PSM-2 | \$ 280   |
| 40.033.128.05                                     | QRH-HP/MP, HP/MP replacement quick-clip rainhood - rainhood only, requires frame   | \$ 230   |
| 40.033.128.06                                     | HP/MP Rplcmnt Quick-Clip Mounting Frame, frame only  | \$ 60    |
| 40.105.034.01                                     | CRH-HP/MP, cloth collapsible rainhood kit - fits all HP/MP self-powered loudspeakers except MICA and PSM-2                       | \$ 280   |
| <b>PSW-2 Rigging &amp; Cabinet Components</b>     |  |          |
| 40.031.048.01                                     | Grille Frame w/Foam & Logo Plate, for MSL-4 and PSW-2  | \$ 330   |
| 40.031.049.01                                     | Grille Foam w/Logo Plate, for MSL-4, DS-4P, and PSW-2  | \$ 80    |
| 40.076.117.01                                     | Dampened Handle Cup & Bar Side Mount, black  | \$ 40    |
| <b>PSW-4</b>                                      |  |          |
| <b>PSW-4 Amplifiers, Electronics &amp; Cables</b> |  |          |
| 40.033.002.01                                     | PSB-HP/MP/MPW, power supply board universal to all HP, MP, and MPW amplifiers  | \$ 520   |
| 40.033.013.01                                     | AHA-MP-2, amplifier/heatsink assembly TOP module   | \$ 1,020 |
| 40.033.014.01                                     | PSC-HP-2/MP-2, power supply assembly - includes chassis, MP transformer, and power supply board                                  | \$ 1,630 |
| 40.033.019.01                                     | HP/MP AC Mains PCBA, circuit board assembly, universal to all HP, MP, MPW, and LYON amplifiers                                   | \$ 360   |
| 40.033.042.04                                     | CBA-PSW-4, TPL control board   | \$ 620   |
| 40.033.045.03                                     | MP-2/PSW-4, L6-20, TPL, RMS amplifier  | \$ 4,720 |
| 40.033.045.08                                     | MP-2/PSW-4, IEC 309, TPL, RMS amplifier  | \$ 4,720 |
| 40.033.048.01                                     | RUP-MP-2/L, user panel for MP-2, L6-20 connector, 6-amp breakers   | \$ 520   |
| 40.033.048.03                                     | RUP-MP-2/I, user panel for MP-2, IEC-309 connector, 6-amp breakers   | \$ 520   |
| 40.033.058.01                                     | MP-2/4 XLR Input Board, includes polarity switch   | \$ 120   |
| 40.033.063.03                                     | MP-2/PSW-4, L6-20, TPL amplifier   | \$ 4,200 |
| 40.033.063.08                                     | MP-2/PSW-4, IEC 309, TPL amplifier   | \$ 4,200 |
| 40.033.071.01                                     | HP/MP RMS, communication board upgrade/replacement, universal to all HP, MP, and MPW amplifiers                                  | \$ 520   |
| <b>PSW-4 Drivers &amp; Horns</b>                  |  |          |
| 40.010.037.01                                     | Gaskets, for 18-inch drivers   | \$ 30    |
| 40.113.001.01                                     | ST-815, 8-ohm, 15-inch driver  | \$ 610   |
| 40.124.001.01                                     | ST-818, 8-ohm, 18-inch driver for X-800, 650-P, 650-R2, PSW-4, PSW-6 (front), MTS-4, 834, and MSW-2. Equivalent to MS-818        | \$ 640   |
| 67.056.014.01                                     | Gasket, for 15-inch drivers  | \$ 10    |
| <b>PSW-4 Rainhoods, Fans &amp; Misc.</b>          |  |          |
| 40.033.033.02                                     | RH-HP/MP, permanent rigid black rainhood kit - fits all HP/MP self-powered loudspeakers except MICA and PSM-2                    | \$ 90    |
| 40.033.128.01                                     | QRH-HP/MP, quick-clip transparent, removable rigid rainhood kit - fits all HP/MP self-powered loudspeakers except MICA and PSM-2 | \$ 280   |
| 40.033.128.05                                     | QRH-HP/MP, HP/MP replacement quick-clip rainhood - rainhood only, requires frame   | \$ 230   |
| 40.033.128.06                                     | HP/MP Rplcmnt Quick-Clip Mounting Frame, frame only  | \$ 60    |
| 40.105.034.01                                     | CRH-HP/MP, cloth collapsible rainhood kit - fits all HP/MP self-powered loudspeakers except MICA and PSM-2                       | \$ 280   |
| <b>PSW-4 Rigging &amp; Cabinet Components</b>     |  |          |
| 40.034.026.01                                     | Grille Frame w/Foam & Logo Plate, for PSW-4  | \$ 460   |
| 40.034.027.01                                     | Grille Foam w/Logo Plate, for PSW-4  | \$ 80    |
| 40.076.117.01                                     | Dampened Handle Cup & Bar Side Mount, black  | \$ 40    |



# Replacement Parts, Rigging, and Product Services

Prices Effective February 1, 2016



## PSW-6

### PSW-6 Amplifiers, Electronics & Cables

|               |   |          |
|---------------|---|----------|
| 40.033.002.01 | PSB-HP/MP/MPW, power supply board universal to all HP, MP, and MPW amplifiers                   | \$ 520   |
| 40.033.013.01 | AHA-MP-2, amplifier/heatsink assembly TOP module  | \$ 1,020 |
| 40.033.013.02 | MP-4 Amplifier Kit, includes top and bottom assemblies and support bracket                      | \$ 2,020 |
| 40.033.013.04 | AHA-MP-4, amplifier/heatsink assembly used in all MP-4 amplifiers - bottom position             | \$ 1,020 |
| 40.033.014.01 | PSC-HP-2/MP-2, power supply assembly - includes chassis, MP transformer, and power supply board | \$ 1,630 |
| 40.033.014.02 | PSC-MP-4, power supply assembly includes chassis, MP transformer, and power supply board        | \$ 1,940 |
| 40.033.019.01 | HP/MP AC Mains PCBA, circuit board assembly, universal to all HP, MP, MPW, and LYON amplifiers  | \$ 360   |
| 40.033.042.13 | CBA-PSW-6/B, TPL control board, BOTTOM  | \$ 620   |
| 40.033.042.14 | CBA-PSW-6/T, TPL control board  | \$ 620   |
| 40.033.045.25 | MP-4/PSW-6, L6-20, TPL, RMS amplifier   | \$ 6,550 |
| 40.033.045.26 | MP-4/PSW-6, IEC 309, TPL, RMS amplifier   | \$ 6,550 |
| 40.033.048.02 | RUP-MP-4/L, user panel for MP-4, L6-20 connector, 8-amp breakers                                | \$ 520   |
| 40.033.048.04 | RUP-MP-4/I, user panel for MP-4, IEC-309 connector, 8-amp breakers                              | \$ 520   |
| 40.033.058.01 | MP-2/4 XLR Input Board, includes polarity switch  | \$ 120   |
| 40.033.063.25 | MP-4/PSW-6, L6-20, TPL amplifier  | \$ 6,020 |
| 40.033.063.26 | MP-4/PSW-6, IEC 309, TPL amplifier  | \$ 6,020 |
| 40.033.071.01 | HP/MP RMS, communication board upgrade/replacement, universal to all HP, MP, and MPW amplifiers | \$ 520   |

### PSW-6 Drivers & Horns

|               |   |        |
|---------------|---|--------|
| 40.010.037.01 | Gaskets, for 18-inch drivers  | \$ 30  |
| 40.121.001.01 | ST-415, 4-ohm, 15-inch driver   | \$ 610 |
| 40.124.001.01 | ST-818, 8-ohm, 18-inch driver for X-800, 650-P, 650-R2, PSW-4, PSW-6 (front), MTS-4, 834, and MSW-2. Equivalent to MS-818 | \$ 640 |
| 67.056.014.01 | Gasket, for 15-inch drivers   | \$ 10  |

### PSW-6 Rainhoods, Fans & Misc.

|               |  |        |
|---------------|--|--------|
| 40.033.033.02 | RH-HP/MP, permanent rigid black rainhood kit - fits all HP/MP self-powered loudspeakers except MICA and PSM-2                    | \$ 90  |
| 40.033.128.01 | QRH-HP/MP, quick-clip transparent, removable rigid rainhood kit - fits all HP/MP self-powered loudspeakers except MICA and PSM-2 | \$ 280 |
| 40.033.128.05 | QRH-HP/MP, HP/MP replacement quick-clip rainhood - rainhood only, requires frame   | \$ 230 |
| 40.033.128.06 | HP/MP Rplcmnt Quick-Clip Mounting Frame, frame only  | \$ 60  |
| 40.105.034.01 | CRH-HP/MP, cloth collapsible rainhood kit - fits all HP/MP self-powered loudspeakers except MICA and PSM-2                       | \$ 280 |

### PSW-6 Rigging & Cabinet Components

|               |   |          |
|---------------|---|----------|
| 40.031.121.05 | MCC-009 Multi-Link Connecting Chain, used to connect the fronts of cabinets in a vertical splay from 0 to 19 degrees (9 links), L-Track | \$ 90    |
| 40.031.121.06 | SMCC Swivel Multi-Link Connecting Chain, used to connect the front of the cabinets in a vertical splay from 0 to 19 degrees (9 links)   | \$ 90    |
| 40.031.121.11 | SMCC-007 Swivel Multi-Link Conn. Chain, used to connect the front of the cabinets in a vertical splay from 0 to 15 degrees (7 links)    | \$ 90    |
| 40.053.048.01 | MRF-6 Rigging Frame, for MSL-6, MSL-5, and PSW-6 - includes all necessary hardware for mounting to cabinet                              | \$ 2,260 |
| 40.053.049.01 | MRFCB-6 Connecting Bar Kit, for MRF-6 - includes 2 FRONT and 2 REAR connecting bars   | \$ 430   |
| 40.073.018.01 | Front Grille Frame w/Foam & Logo Plate, for PSW-6   | \$ 790   |
| 40.073.018.02 | W/P Front Grille Frame, with foam and logo plate, weather-protected   | \$ 1,100 |
| 40.073.019.01 | Rear Grille Frame w/Screen & Logo Plate, for PSW-6  | \$ 290   |
| 40.073.019.02 | W/P Rear Grille Frame, with screen and logo plate, weather-protected  | \$ 330   |
| 40.073.032.01 | Front Grille Foam w/Logo Plate, for PSW-6   | \$ 90    |
| 61.053.054.01 | MRF-6 Rigging Pin, used to connect MRFCB-6 bars to MRF-6  | \$ 50    |

## Discontinued

### DS-2P

#### DS-2P Amplifiers, Electronics & Cables

|               |   |          |
|---------------|---|----------|
| 40.033.002.01 | PSB-HP/MP/MPW, power supply board universal to all HP, MP, and MPW amplifiers | \$ 520   |
| 40.033.013.01 | AHA-MP-2, amplifier/heatsink assembly TOP module                              | \$ 1,020 |

# Replacement Parts, Rigging, and Product Services

Prices Effective February 1, 2016



|   |  |          |
|---|--|----------|
| 40.033.014.01                                     | PSC-HP-2/MP-2, power supply assembly - includes chassis, MP transformer, and power supply board                                  | \$ 1,630 |
| 40.033.019.01                                     | HP/MP AC Mains PCBA, circuit board assembly, universal to all HP, MP, MPW, and LYON amplifiers                                   | \$ 360   |
| 40.033.042.06                                     | CBA-DS-2P, TPL control board   | \$ 620   |
| 40.033.045.04                                     | MP-2/DS-2P, L6-20, TPL, RMS amplifier  | \$ 4,720 |
| 40.033.045.09                                     | MP-2/DS-2P, IEC 309, TPL, RMS amplifier  | \$ 4,720 |
| 40.033.048.01                                     | RUP-MP-2/L, user panel for MP-2, L6-20 connector, 6-amp breakers   | \$ 520   |
| 40.033.048.03                                     | RUP-MP-2/I, user panel for MP-2, IEC-309 connector, 6-amp breakers   | \$ 520   |
| 40.033.058.01                                     | MP-2/4 XLR Input Board, includes polarity switch   | \$ 120   |
| 40.033.063.04                                     | MP-2/DS-2P, L6-20, TPL amplifier   | \$ 4,200 |
| 40.033.063.09                                     | MP-2/DS-2P, IEC 309, TPL amplifier   | \$ 4,200 |
| 40.033.071.01                                     | HP/MP RMS, communication board upgrade/replacement, universal to all HP, MP, and MPW amplifiers                                  | \$ 520   |
| <b>DS-2P Drivers &amp; Horns</b>                  |  |          |
| 40.113.001.01                                     | ST-815, 8-ohm, 15-inch driver  | \$ 610   |
| 67.056.014.01                                     | Gasket, for 15-inch drivers  | \$ 10    |
| <b>DS-2P Rainhoods, Fans &amp; Misc.</b>          |  |          |
| 40.033.033.02                                     | RH-HP/MP, permanent rigid black rainhood kit - fits all HP/MP self-powered loudspeakers except MICA and PSM-2                    | \$ 90    |
| 40.033.128.01                                     | QRH-HP/MP, quick-clip transparent, removable rigid rainhood kit - fits all HP/MP self-powered loudspeakers except MICA and PSM-2 | \$ 280   |
| 40.033.128.05                                     | QRH-HP/MP, HP/MP replacement quick-clip rainhood - rainhood only, requires frame   | \$ 230   |
| 40.033.128.06                                     | HP/MP Rplcmnt Quick-Clip Mounting Frame, frame only  | \$ 60    |
| 40.105.034.01                                     | CRH-HP/MP, cloth collapsible rainhood kit - fits all HP/MP self-powered loudspeakers except MICA and PSM-2                       | \$ 280   |
| <b>DS-2P Rigging &amp; Cabinet Components</b>     |  |          |
| 40.071.093.01                                     | Grille Foam w/Logo Plate, for MTS-4A, DS-2P, DS-2, MSL-3A, and MSL-3   | \$ 90    |
| 40.071.094.01                                     | Grille Frame w/Foam & Logo Plate, for MSL-3, MSL-3A, DS-2, and DS-2P   | \$ 330   |
| 40.076.117.01                                     | Dampened Handle Cup & Bar Side Mount, black  | \$ 40    |
| <b>DS-4P</b>                                      |  |          |
| <b>DS-4P Amplifiers, Electronics &amp; Cables</b> |  |          |
| 40.033.002.01                                     | PSB-HP/MP/MPW, power supply board universal to all HP, MP, and MPW amplifiers  | \$ 520   |
| 40.033.013.01                                     | AHA-MP-2, amplifier/heatsink assembly TOP module   | \$ 1,020 |
| 40.033.014.01                                     | PSC-HP-2/MP-2, power supply assembly - includes chassis, MP transformer, and power supply board                                  | \$ 1,630 |
| 40.033.019.01                                     | HP/MP AC Mains PCBA, circuit board assembly, universal to all HP, MP, MPW, and LYON amplifiers                                   | \$ 360   |
| 40.033.042.20                                     | CBA-DS-4P, TPL control board   | \$ 620   |
| 40.033.045.33                                     | MP-2/DS-4P, L6-20, TPL, RMS amplifier  | \$ 4,720 |
| 40.033.045.34                                     | MP-2/DS-4P, IEC 309, TPL, RMS amplifier  | \$ 4,720 |
| 40.033.048.01                                     | RUP-MP-2/L, user panel for MP-2, L6-20 connector, 6-amp breakers   | \$ 520   |
| 40.033.048.03                                     | RUP-MP-2/I, user panel for MP-2, IEC-309 connector, 6-amp breakers   | \$ 520   |
| 40.033.058.01                                     | MP-2/4 XLR Input Board, includes polarity switch   | \$ 120   |
| 40.033.063.33                                     | MP-2/DS-4P, L6-20, TPL amplifier   | \$ 4,200 |
| 40.033.063.34                                     | MP-2/DS-4P, IEC 309, TPL amplifier   | \$ 4,200 |
| 40.033.071.01                                     | HP/MP RMS, communication board upgrade/replacement, universal to all HP, MP, and MPW amplifiers                                  | \$ 520   |
| <b>DS-4P Drivers &amp; Horns</b>                  |  |          |
| 40.107.013.01                                     | ST-812, 8-ohm, 12-inch driver - equivalent to MS-812   | \$ 520   |
| 67.051.038.01                                     | Gasket, for 12-inch drivers  | \$ 5     |
| <b>DS-4P Rainhoods, Fans &amp; Misc.</b>          |  |          |
| 40.033.033.02                                     | RH-HP/MP, permanent rigid black rainhood kit - fits all HP/MP self-powered loudspeakers except MICA and PSM-2                    | \$ 90    |
| 40.033.128.01                                     | QRH-HP/MP, quick-clip transparent, removable rigid rainhood kit - fits all HP/MP self-powered loudspeakers except MICA and PSM-2 | \$ 280   |
| 40.033.128.05                                     | QRH-HP/MP, HP/MP replacement quick-clip rainhood - rainhood only, requires frame   | \$ 230   |
| 40.033.128.06                                     | HP/MP Rplcmnt Quick-Clip Mounting Frame, frame only  | \$ 60    |
| 40.105.034.01                                     | CRH-HP/MP, cloth collapsible rainhood kit - fits all HP/MP self-powered loudspeakers except MICA and PSM-2                       | \$ 280   |

# Replacement Parts, Rigging, and Product Services

Prices Effective February 1, 2016



| <b>DS-4P Rigging &amp; Cabinet Components</b>  |  |          |
|--|--|----------|
| 40.031.048.02  | Grille Frame w/Foam & Logo Plate, for DS-4P and MSL-4, L-Track   | \$ 330   |
| 40.031.049.01  | Grille Foam w/Logo Plate, for MSL-4, DS-4P, and PSW-2  | \$ 80    |
| <b>MSL</b>   |  |          |
| <b>MSL Amplifiers, Electronics &amp; Cables</b>  |  |          |
| 40.033.002.01  | PSB-HP/MP/MPW, power supply board universal to all HP, MP, and MPW amplifiers  | \$ 520   |
| 40.033.013.01  | AHA-MP-2, amplifier/heatsink assembly TOP module   | \$ 1,020 |
| 40.033.013.02  | MP-4 Amplifier Kit, includes top and bottom assemblies and support bracket   | \$ 2,020 |
| 40.033.013.04  | AHA-MP-4, amplifier/heatsink assembly used in all MP-4 amplifiers - bottom position  | \$ 1,020 |
| 40.033.014.01  | PSC-HP-2/MP-2, power supply assembly - includes chassis, MP transformer, and power supply board  | \$ 1,630 |
| 40.033.014.02  | PSC-MP-4, power supply assembly includes chassis, MP transformer, and power supply board   | \$ 1,940 |
| 40.033.019.01  | HP/MP AC Mains PCBA, circuit board assembly, universal to all HP, MP, MPW, and LYON amplifiers   | \$ 360   |
| 40.033.042.11  | CBA-MSL-6/B, TPL control board, BOTTOM   | \$ 620   |
| 40.033.042.12  | CBA-MSL-6/T, TPL control board, TOP  | \$ 620   |
| 40.033.042.18  | CBA-MSL-4, TPL control board, replaces 40.033.042.01   | \$ 620   |
| 40.033.045.01  | MP-2/MSL-4, L6-20, TPL, RMS amplifier  | \$ 4,720 |
| 40.033.045.06  | MP-2/MSL-4, IEC 309, TPL, RMS amplifier  | \$ 4,720 |
| 40.033.045.23  | MP-4/MSL-6, L6-20, TPL, RMS amplifier  | \$ 6,550 |
| 40.033.045.24  | MP-4/MSL-6, IEC 309, TPL, RMS amplifier  | \$ 6,550 |
| 40.033.048.01  | RUP-MP-2/L, user panel for MP-2, L6-20 connector, 6-amp breakers   | \$ 520   |
| 40.033.048.02  | RUP-MP-4/L, user panel for MP-4, L6-20 connector, 8-amp breakers   | \$ 520   |
| 40.033.048.03  | RUP-MP-2/I, user panel for MP-2, IEC-309 connector, 6-amp breakers   | \$ 520   |
| 40.033.048.04  | RUP-MP-4/I, user panel for MP-4, IEC-309 connector, 8-amp breakers   | \$ 520   |
| 40.033.058.01  | MP-2/4 XLR Input Board, includes polarity switch   | \$ 120   |
| 40.033.063.01  | MP-2/MSL-4, L6-20, TPL amplifier   | \$ 4,200 |
| 40.033.063.06  | MP-2/MSL-4, IEC 309, TPL amplifier   | \$ 4,200 |
| 40.033.063.23  | MP-4/MSL-6, L6-20, TPL amplifier   | \$ 6,020 |
| 40.033.063.24  | MP-4/MSL-6, IEC 309, TPL amplifier   | \$ 6,020 |
| 40.033.071.01  | HP/MP RMS, communication board upgrade/replacement, universal to all HP, MP, and MPW amplifiers  | \$ 520   |
| <b>MSL Drivers &amp; Horns</b>   |  |          |
| *Exchange price reflects credit given upon receipt of rebuildable driver of same model |  |          |
| 40.010.088.01  | Replacement High Horns, for USM-1 and MSL-2A   | \$ 330   |
| 40.031.002.01  | Replacement High Horns, for MSL-4  | \$ 1,120 |
| 40.071.082.04  | MSL-3 to MSL-3A w/MS-2010A, upgrade kit from MSL-3 using MS-2001 driver to MSL-3A - includes MS-2010A driver and installation hardware | \$ 1,940 |
| 40.071.192.01  | MS-2010A, 4-inch diaphragm driver, equivalent to MS-2001A in all speakers but the SB-1.  | \$ 1,940 |
| 40.071.192.51  | MS-2010A, exchange driver* for MS-2010A  | \$ 540   |
| 40.107.013.01  | ST-812, 8-ohm, 12-inch driver - equivalent to MS-812   | \$ 520   |
| 40.113.001.01  | ST-815, 8-ohm, 15-inch driver  | \$ 610   |
| 48.071.085.81  | MS-2001A, exchange driver* for MS-2001A  | \$ 540   |
| 67.051.038.01  | Gasket, for 12-inch drivers  | \$ 5     |
| 67.056.014.01  | Gasket, for 15-inch drivers  | \$ 10    |
| 724.002  | Gaskets, for MSL-4 high horn (per foot, 3 ft minimum)  | \$ 30    |
| <b>MSL Rainhoods, Fans &amp; Misc.</b>   |  |          |
| 40.033.033.02  | RH-HP/MP, permanent rigid black rainhood kit - fits all HP/MP self-powered loudspeakers except MICA and PSM-2                          | \$ 90    |
| 40.033.128.01  | QRH-HP/MP, quick-clip transparent, removable rigid rainhood kit - fits all HP/MP self-powered loudspeakers except MICA and PSM-2       | \$ 280   |
| 40.033.128.05  | QRH-HP/MP, HP/MP replacement quick-clip rainhood - rainhood only, requires frame   | \$ 230   |
| 40.033.128.06  | HP/MP Rplcmnt Quick-Clip Mounting Frame, frame only  | \$ 60    |
| 40.105.034.01  | CRH-HP/MP, cloth collapsible rainhood kit - fits all HP/MP self-powered loudspeakers except MICA and PSM-2                             | \$ 280   |
| 45.071.015.01  | Replacement Bullet, for MSL-3, MSL-3A, MSL-4, MSL-5, and MSL-10A   | \$ 150   |
| 67.022.034.01  | Gaskets, for short handle cups (48.044.015.01)   | \$ 5     |

# Replacement Parts, Rigging, and Product Services

Prices Effective February 1, 2016



|   |   |          |
|---|---|----------|
| 67.071.037.01                               | Gasket, for MSL-3/4/5/6 bullet tip (each, 5 minimum)  | \$ 1     |
| <b>MSL Rigging &amp; Cabinet Components</b> |   |          |
| 124.055                                     | Locking Lynch Pin, 5/16", used to secure 61.031.123.01 pins in place  | \$ 10    |
| 124.056                                     | Clevis Rigging Pin w/Head, 11.8mm, used to attach MTG-4s, CQ-2 frames, and UPA-2 frames to ring and stud-equipped loudspeaker systems   | \$ 50    |
| 124.060                                     | Lynch Pin, 3/16", used to secure 124.056 and 61.053.054.01 pins in place  | \$ 10    |
| 128.006                                     | Handle Cup & Bar, for SB-1 and MSL-10A  | \$ 40    |
| 40.010.036.01                               | Nut Plate Kit w/Screws, 3/8"-16   | \$ 40    |
| 40.022.035.01                               | High Grille Frame w/Foam & Logo Plate, for MSL-5  | \$ 460   |
| 40.022.036.01                               | Low Grille Frame w/Foam & Logo Plate, for MSL-6 and MSL-5   | \$ 460   |
| 40.022.036.02                               | W/P Low Grille Frame, with foam and logo plate, weather-protected   | \$ 640   |
| 40.022.047.01                               | High Grille Foam w/Logo Plate, for MSL-5  | \$ 90    |
| 40.022.048.01                               | High & Low Grille Foam w/Logo Plate, for MSL-5  | \$ 230   |
| 40.031.048.01                               | Grille Frame w/Foam & Logo Plate, for MSL-4 and PSW-2   | \$ 330   |
| 40.031.048.02                               | Grille Frame w/Foam & Logo Plate, for DS-4P and MSL-4, L-Track  | \$ 330   |
| 40.031.049.01                               | Grille Foam w/Logo Plate, for MSL-4, DS-4P, and PSW-2   | \$ 80    |
| 40.031.121.03                               | MTG-4 Top Grid, used with MSL-3/4 footprint cabinets fitted with ring and stud, L-Track   | \$ 2,180 |
| 40.031.121.05                               | MCC-009 Multi-Link Connecting Chain, used to connect the fronts of cabinets in a vertical splay from 0 to 19 degrees (9 links), L-Track | \$ 90    |
| 40.031.121.06                               | SMCC Swivel Multi-Link Connecting Chain, used to connect the front of the cabinets in a vertical splay from 0 to 19 degrees (9 links)   | \$ 90    |
| 40.031.121.07                               | SLCC-1 Single Link Connecting Chain, used to connect the uppermost cabinet in a vertical column to the MTG-4, L-Track                   | \$ 90    |
| 40.031.121.11                               | SMCC-007 Swivel Multi-Link Conn. Chain, used to connect the front of the cabinets in a vertical splay from 0 to 15 degrees (7 links)    | \$ 90    |
| 40.053.038.01                               | High Grille Frame w/Foam & Logo Plate, for MSL-6  | \$ 330   |
| 40.053.038.02                               | W/P High Grille Frame, with foam and logo plate, weather-protected  | \$ 380   |
| 40.053.044.01                               | High Grille Foam w/Logo Plate, for MSL-6  | \$ 90    |
| 40.053.048.01                               | MRF-6 Rigging Frame, for MSL-6, MSL-5, and PSW-6 - includes all necessary hardware for mounting to cabinet                              | \$ 2,260 |
| 40.053.049.01                               | MRFCB-6 Connecting Bar Kit, for MRF-6 - includes 2 FRONT and 2 REAR connecting bars   | \$ 430   |
| 40.057.041.01                               | Low Grille Foam w/Logo Plate, for 650-P, 650-R2, MSL-5, and MSL-6   | \$ 100   |
| 40.071.093.01                               | Grille Foam w/Logo Plate, for MTS-4A, DS-2P, DS-2, MSL-3A, and MSL-3  | \$ 90    |
| 40.071.094.01                               | Grille Frame w/Foam & Logo Plate, for MSL-3, MSL-3A, DS-2, and DS-2P  | \$ 330   |
| 40.076.117.01                               | Dampened Handle Cup & Bar Side Mount, black   | \$ 40    |
| 40.076.117.02                               | Dampened Small Handle Cup & Bar, black  | \$ 40    |
| 40.105.092.01                               | MTF-3D, transition frame - used to transition from M3D/M3D-Sub to 3 CQ-2s or 3 MSL-4s   | \$ 2,000 |
| 40.151.030.01                               | Grille Foam w/Logo Plate, for MSL-2A, MSW-2, and USM-1  | \$ 70    |
| 40.151.031.01                               | Grille Frame w/Foam & Logo Plate, for MSL-2A, MSW-2, and USM-1  | \$ 290   |
| 61.031.123.01                               | MTG-4 Rigging Pin w/Head, 5/16", used to connect MTG-4 arms to the MTG, and MTG to MTG  | \$ 50    |
| 61.053.054.01                               | MRF-6 Rigging Pin, used to connect MRFCB-6 bars to MRF-6  | \$ 50    |

## Electronic Repair Services

Prices include parts and labor. Additional charges apply if replacement of additional sub modules, cabinets, drivers, or amplifiers is required.

### HD-1, HD-2w, HD-2n (Parts and Labor)

|          |   |          |
|----------|---|----------|
| Level I  | Verify that the unit is performing to specifications - Includes calibration in chamber  | \$ 430   |
| Level II | Replacement of either or both drivers as needed, any electronic repairs or upgrades necessary - Includes calibration in chamber | \$ 1,010 |

### UPL-1, UPL-2 (Parts and Labor)

|          |   |        |
|----------|---|--------|
| Level I  | Verify that the unit is performing to specifications - Includes calibration in chamber  | \$ 360 |
| Level II | Replacement of either or both drivers as needed, any electronic repairs or upgrades necessary - Includes calibration in chamber | \$ 870 |

### CEUs & Auxiliary Electronics (Parts and Labor)

|          |  |        |
|----------|--|--------|
| Level I  | Verify that the unit is performing to specifications - Includes calibration      | \$ 320 |
| Level II | Electronic repair of electronic components and assemblies - Includes calibration | \$ 450 |

### Auxiliary Electronics Repair - (MPS-488, MPS-488HP)

|  |   |        |
|--|---|--------|
|  | Electronic repair of electronic components and assemblies | \$ 450 |
|--|---|--------|

# Replacement Parts, Rigging, and Product Services

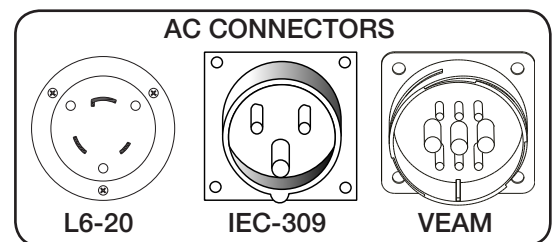
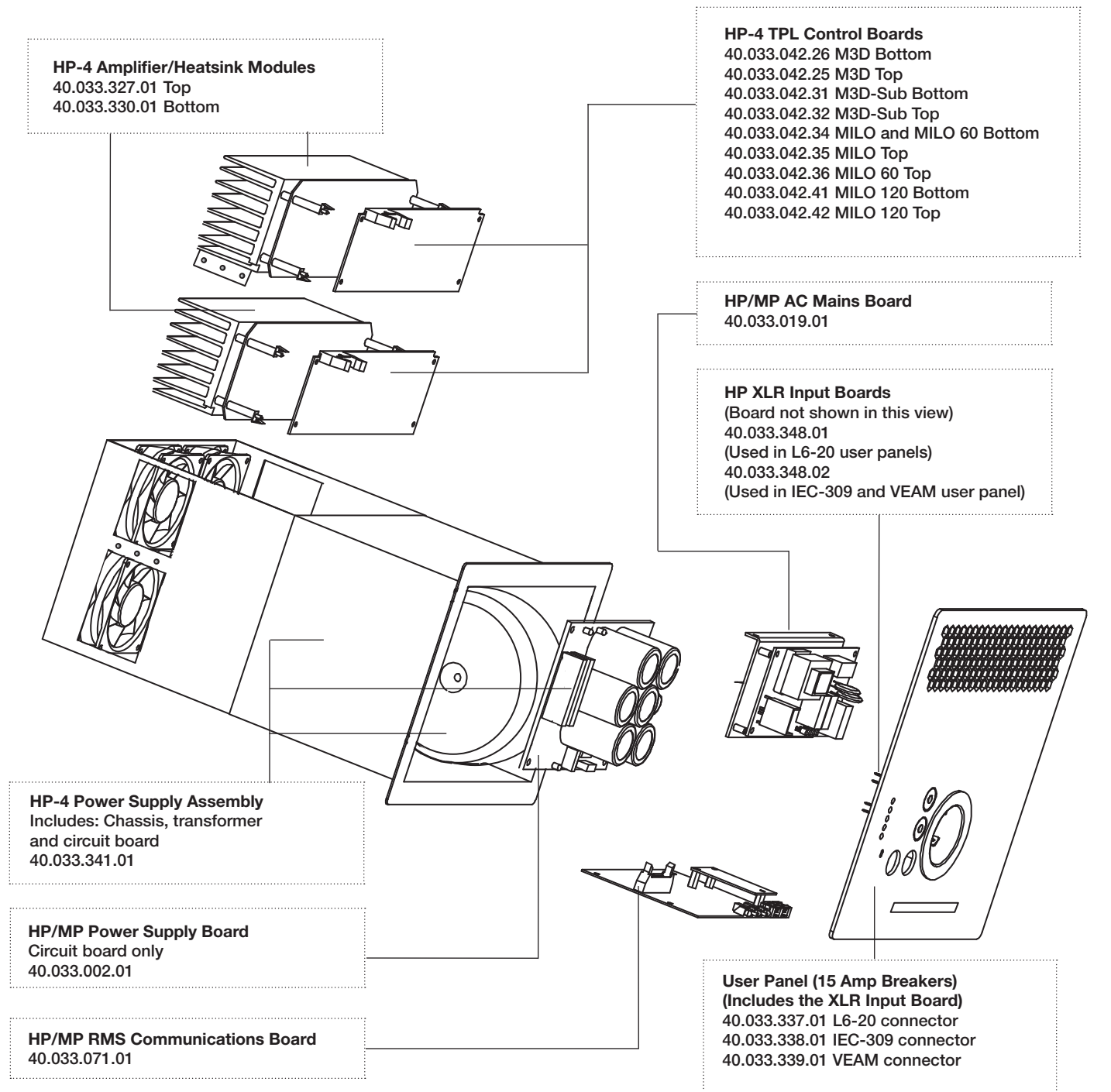
Prices Effective February 1, 2016



|  |          |
|--|----------|
| <b>MP-HP-2/4, MPW-4, LEO, LYON, LEOPARD, 900/1100-LFC Self-Powered Series Amplifiers (Parts and Labor)</b>   |          |
| Electronic repair and verification - Includes replacement of one sub module  | \$ 610   |
| <b>Acheron Studio, Acheron Designer, X-400C, HMS-15(AC), HMS-12, HMS-10, HMS-5</b>   |          |
| Electronic repair and verification - Includes replacement of one sub module  | \$ 610   |
| <b>Self-Powered Series Ultra-Series Electronics (Parts and Labor)</b>  |          |
| Electronic repair and verification - Includes replacement of one sub module  | \$ 610   |
| Prices include electronic repair of electronic components, parts, and labor. Additional charges apply if replacement of complete boards is required. |          |
| <b>Galileo, Galileo Callisto, SIM 3, SIM System II and 2403 Switcher Repair Service (Parts and Labor)</b>  |          |
| Galileo and Galileo Callisto ( all versions)   | \$ 770   |
| SIM 3 3022 Audio Analyzer  | \$ 770   |
| SIM 3 3088 and 3081 Switchers and 3004 Remote Power Supply   | \$ 320   |
| SIM II 2201 Audio Analyzer   | \$ 770   |
| SIM II 2403 Switcher   | \$ 770   |
| <b>D-Mitri Engines - DCM-2, DCM-4, DWTRX, DVRAS, DCP Repair Service (Parts and Labor)</b>  |          |
| Level I Cleaning, fan replacement, OLED, Front Panel LED pcba  | \$ 770   |
| Level II Single pcba replacement   | \$ 4,240 |
| Level III Multiple pcba replacement  | \$ 6,370 |
| <b>D-Mitri I/O's - DAI, DAO, DAIO-816, DAIO-168, DDIO, DCIO, DGPIO Repair Service (Parts and Labor)</b>  |          |
| Level I Cleaning, fan replacement, OLED, Front Panel LED pcba  | \$ 770   |
| Level II Single pcba replacement   | \$ 2,120 |
| Level III Multiple pcba replacement  | \$ 3,180 |

**APPENDIX A**

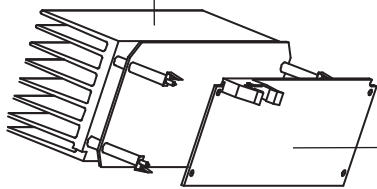
**HP-4 Amplifier Modules**



**APPENDIX B**

**HP-2 Amplifier Modules**

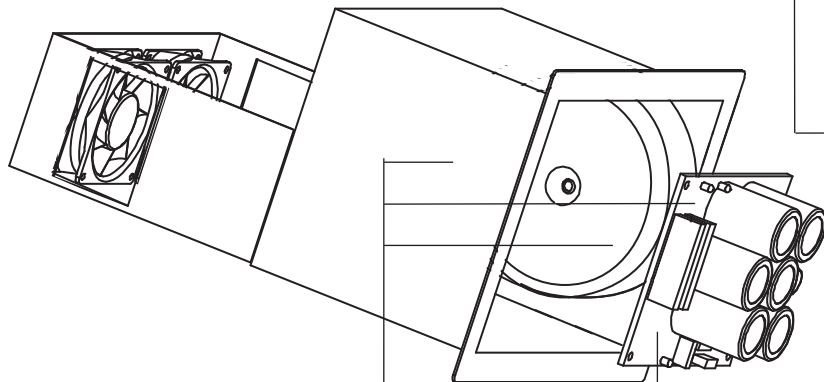
**HP-2 Amplifier/Heatsink Module**  
 40.033.327.01 Top Module



**HP-2 TPL Control Boards**  
 40.033.042.33 M2D-Sub  
 40.033.042.30 SB-2  
 40.033.042.38 700-HP  
 40.033.042.47 600-HP  
 40.033.042.48 Acheron 80/100  
 40.033.042.49 Acheron LF

**HP/MP AC Mains Board**  
 40.033.019.01

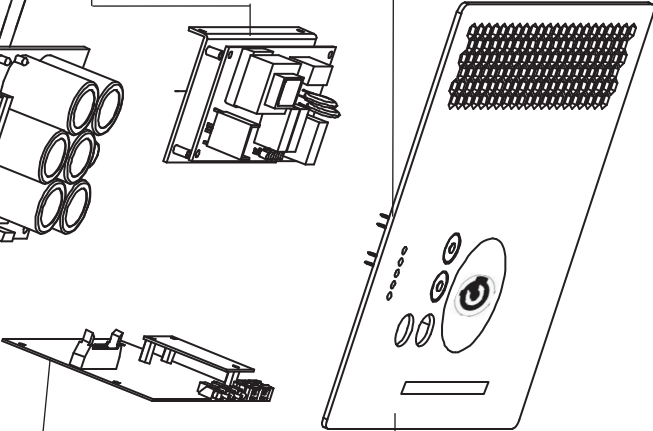
**XLR Input Board**  
 (Not shown in this view)  
 40.033.348.01 PowerCon and L6-20 user panels  
 40.033.348.02 IEC-309 and VEAM user panels  
 40.033.058.01 SB-2, all versions



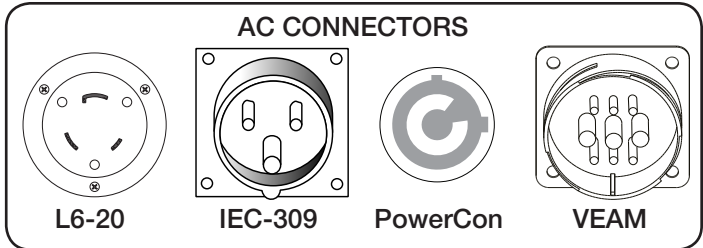
**HP-2/MP-2 Power Supply Assembly**  
 Includes chassis, transformer  
 and circuit board  
 40.033.014.01

**HP/MP Power Supply Board**  
 Circuit board only  
 40.033.002.01

**HP/MP RMS Communications Board**  
 40.033.071.01



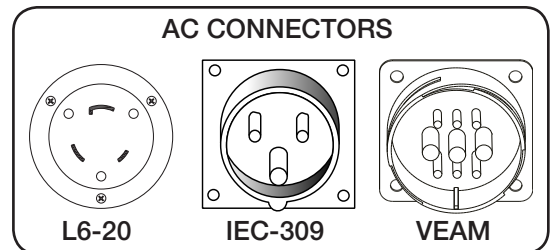
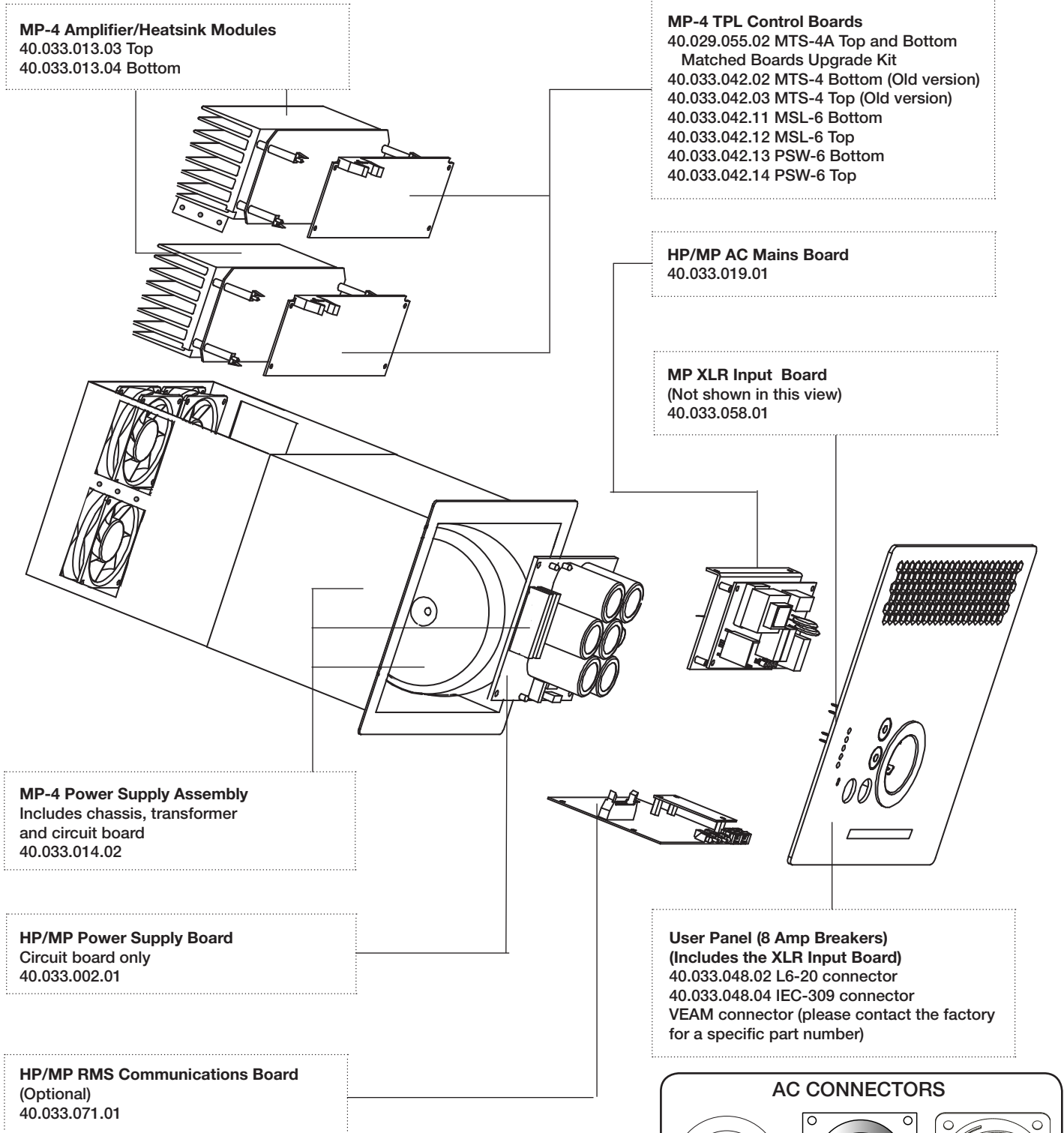
**User Panel (10 Amp Breakers)**  
 (Includes the XLR Input Board)  
**700-HP, 600-HP and M2D-Sub**  
 40.033.340.01 PowerCon (600-HP and M2D-Sub only)  
 40.033.340.02 VEAM connector  
 40.033.340.03 L6-20 connector (700-HP and 600-HP only)  
 40.033.340.04 IEC-309 connector (700-HP and 600-HP only)  
**SB-2**  
 See MP-2 User Panels



**NOTE:** The SB-2 uses an HP-2 type amplifier but the user panel and input board is the MP type.

**APPENDIX C**

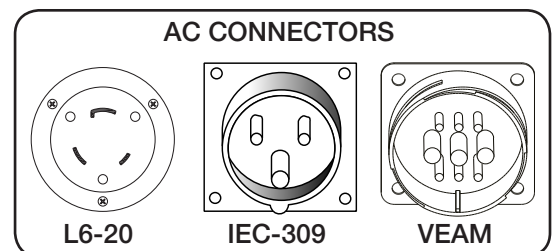
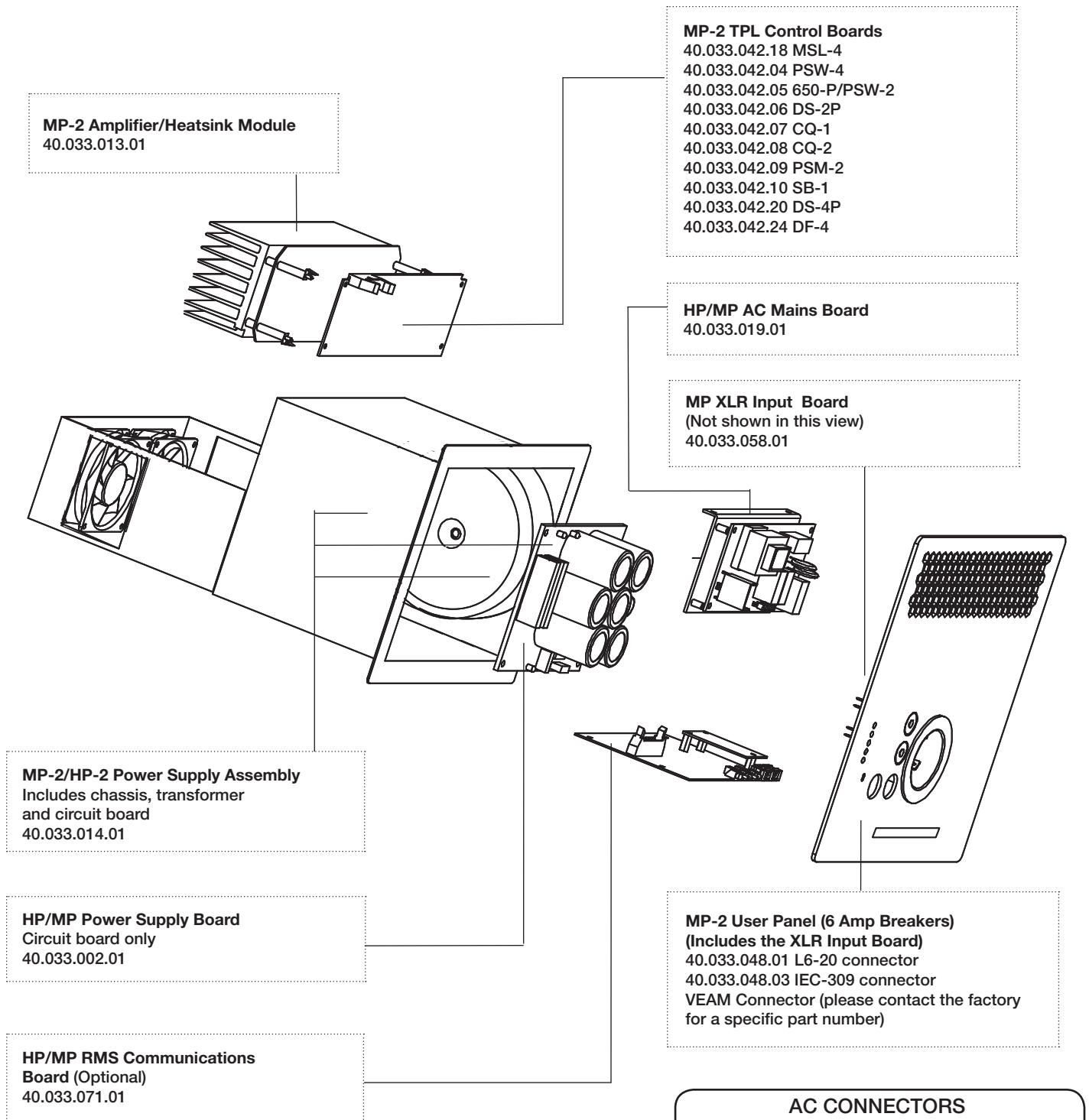
**MP-4 Amplifier Modules**





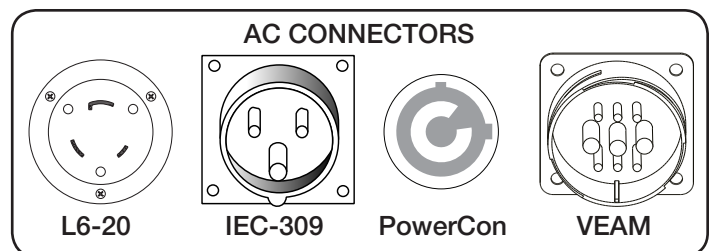
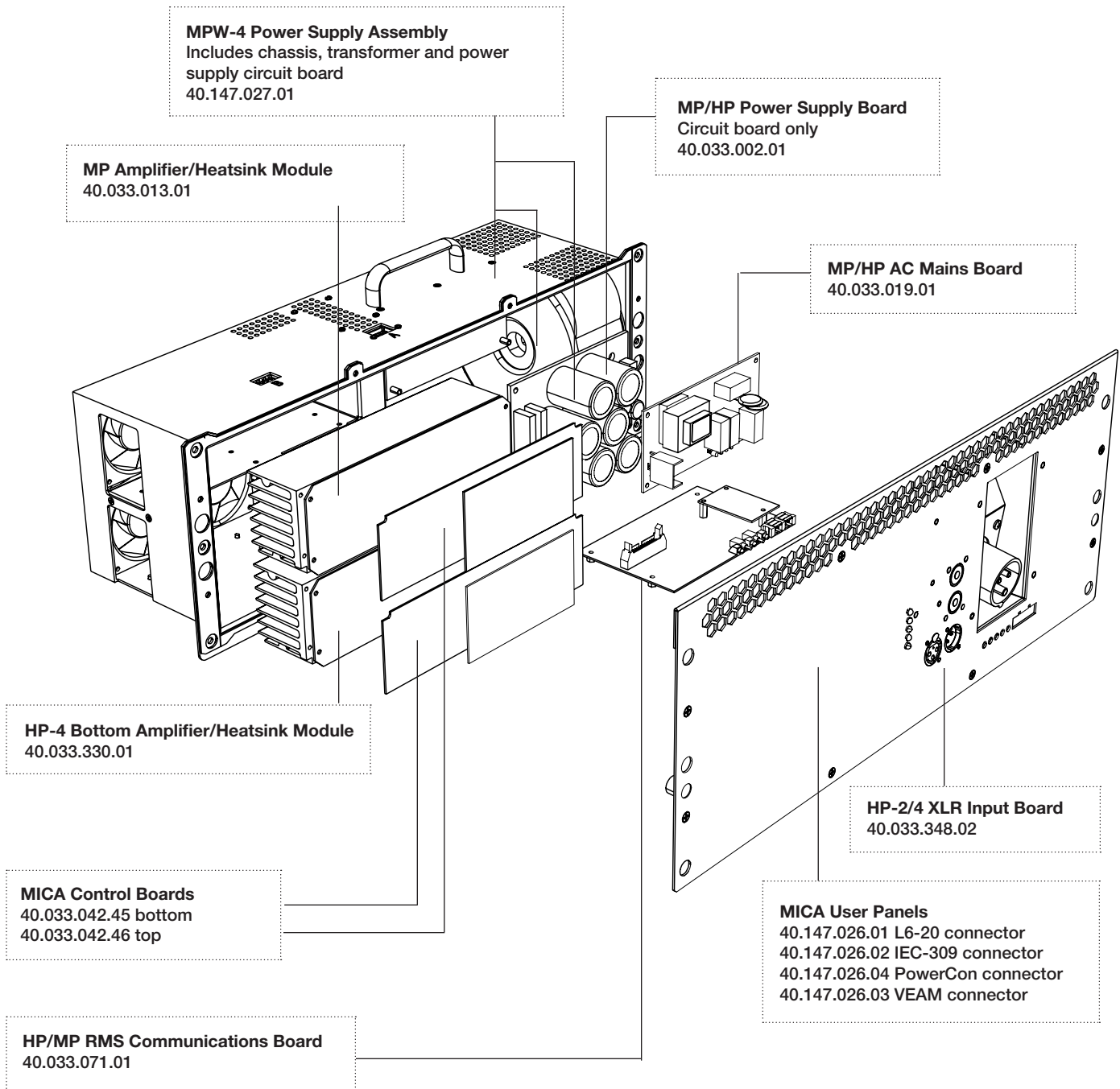
**APPENDIX D**

**MP-2 Amplifier Modules**



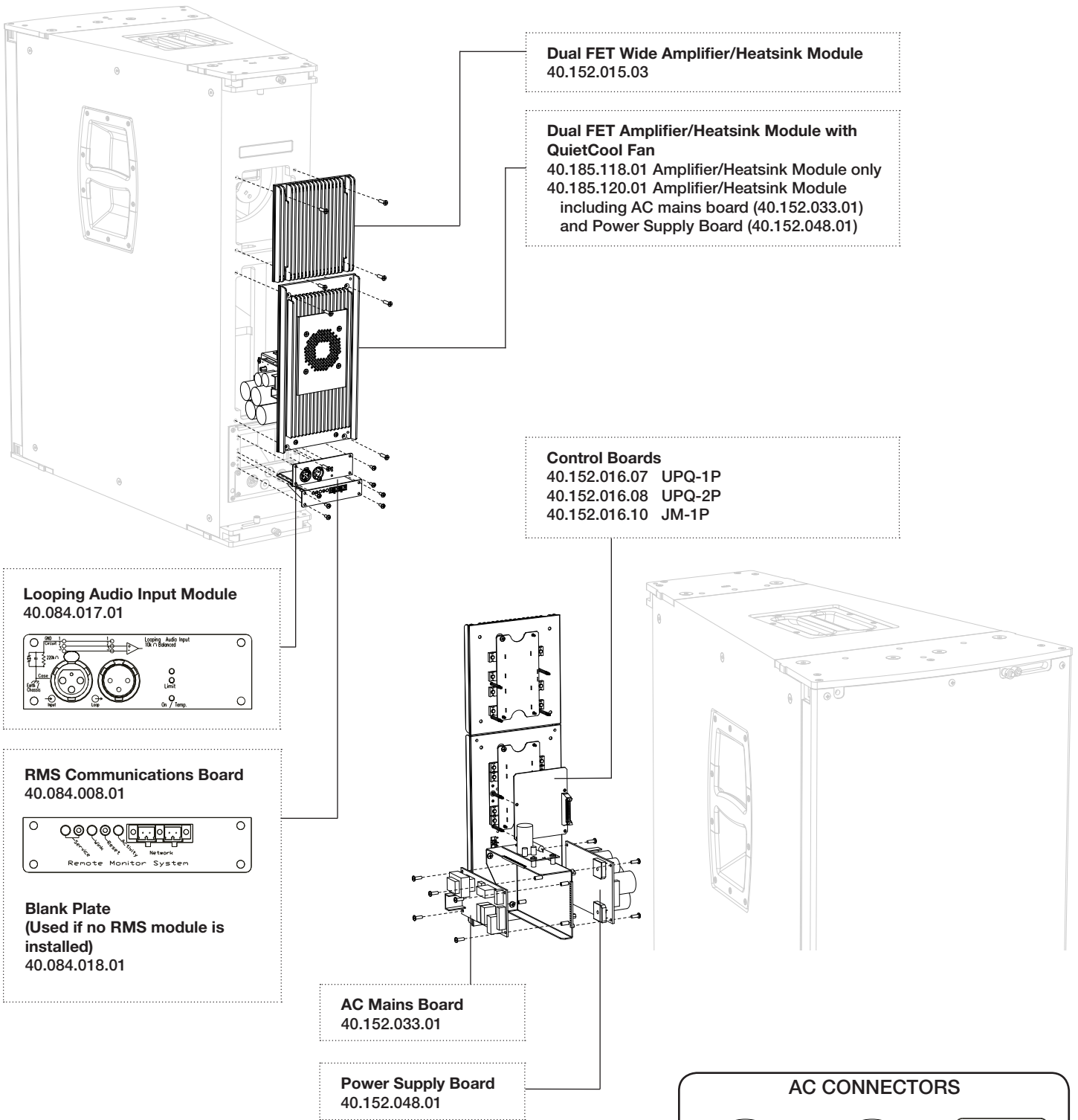
APPENDIX E

MPW-4 Amplifier Modules (MICA)

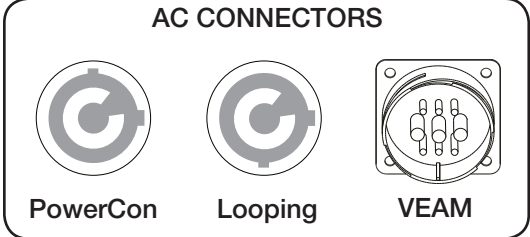


**APPENDIX F**

**JM-1P and UPQ Amplifier Modules**

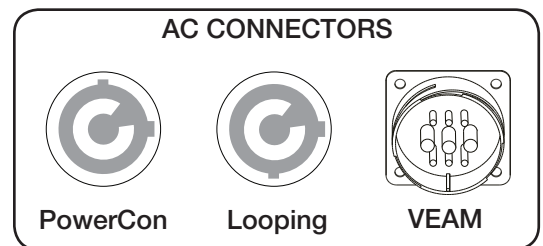
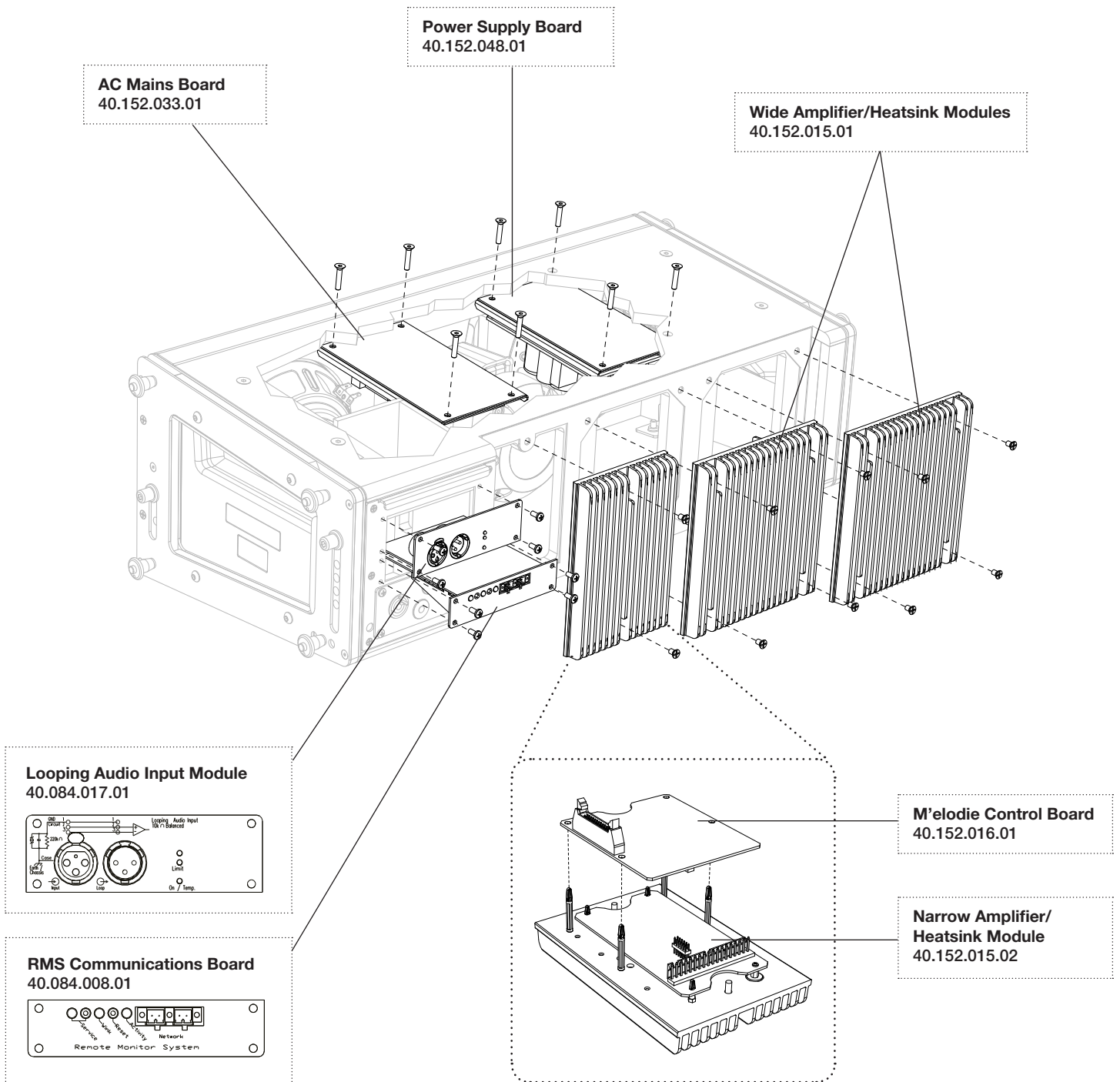


**NOTE:** While this figure represents a JM-1P, the same modules are used in the UPQ-1P and UPQ-2P except for the control board. Control boards are specific for each product.



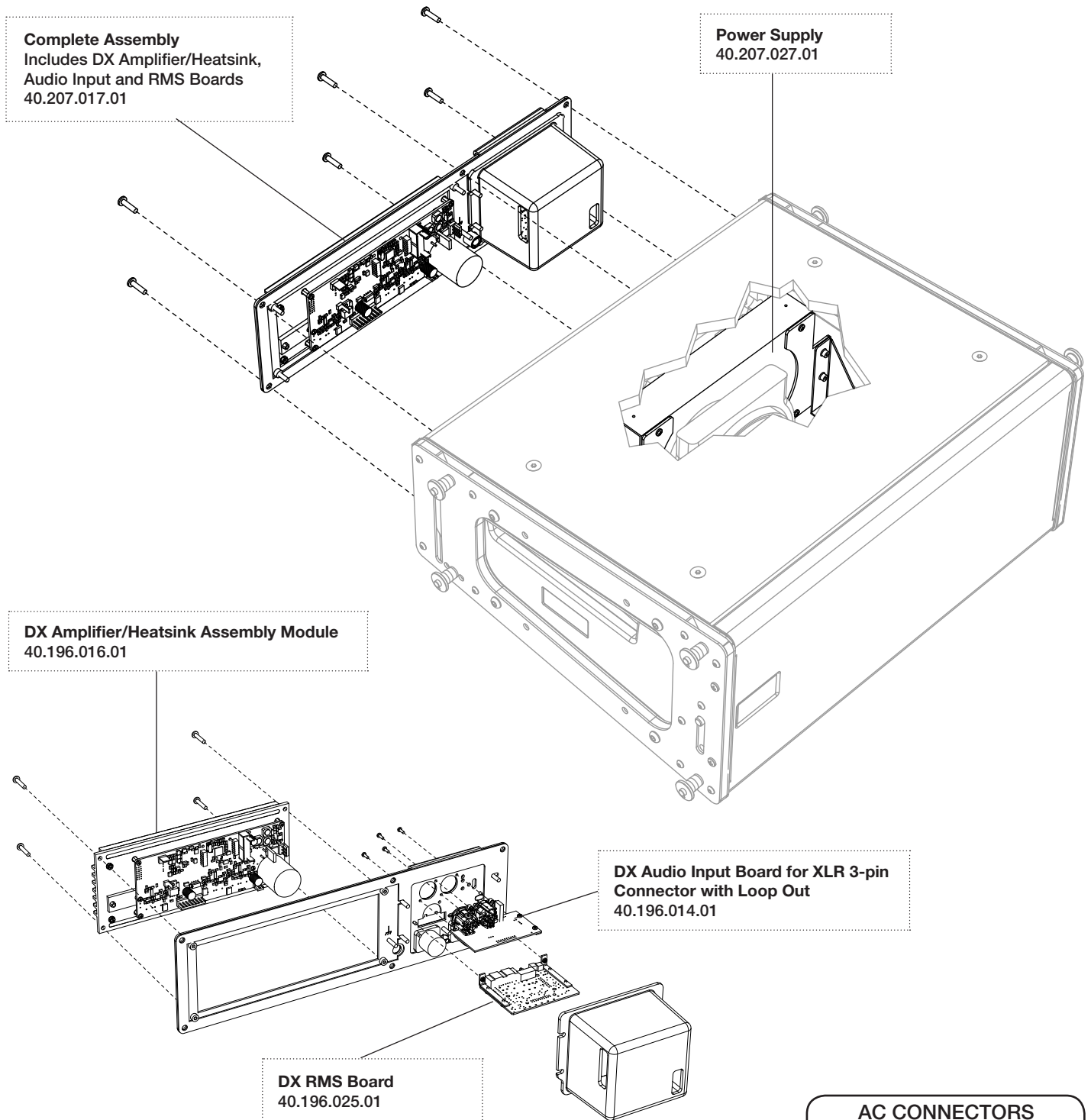
APPENDIX G

M'elodie Amplifier Modules

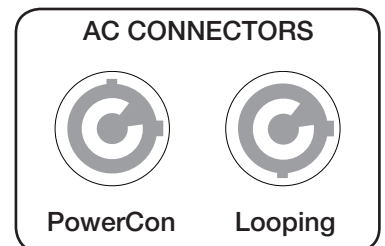


APPENDIX H

MINA and MJF-210 Amplifier Modules

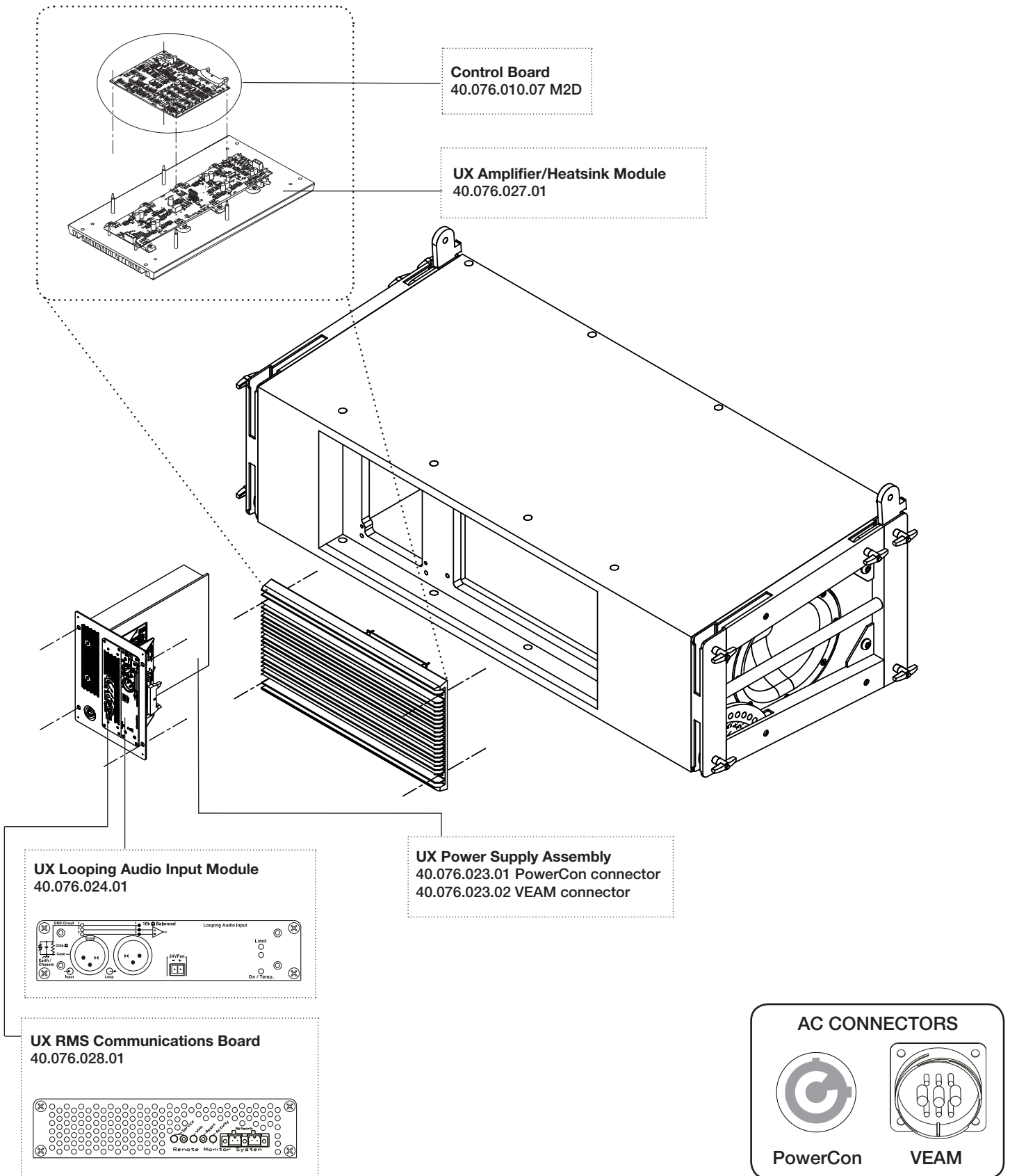


**NOTE:** While this figure represents a MINA, the same modules are used in the MJF-210 except for the loudspeaker harness. Loudspeaker harnesses are specific for each product using DX amplifiers.



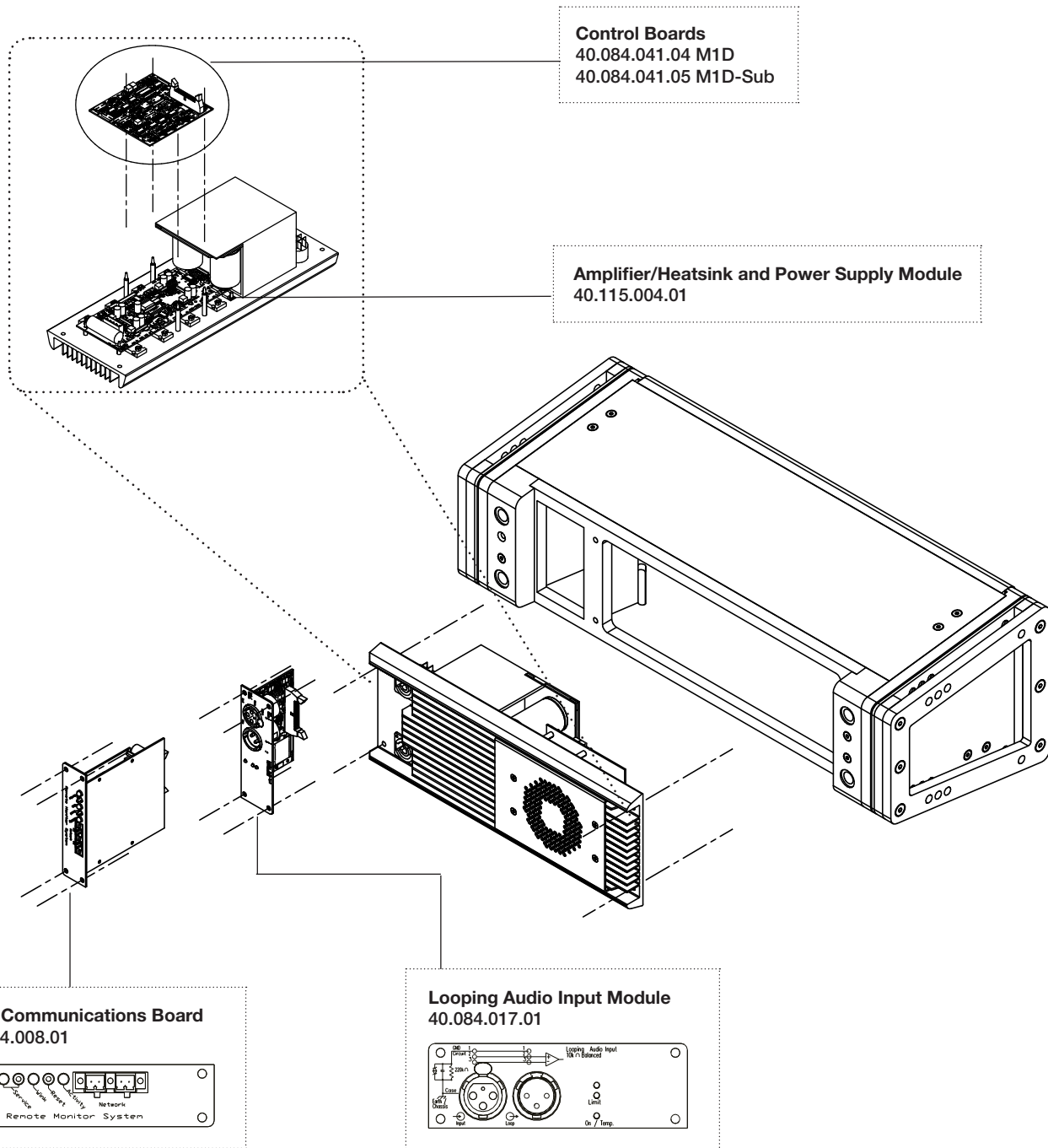
APPENDIX I

M2D Amplifier Modules

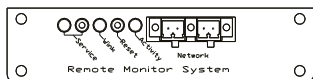


APPENDIX J

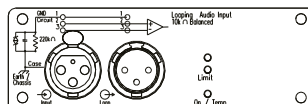
M1D/M1D-Sub Amplifier Modules



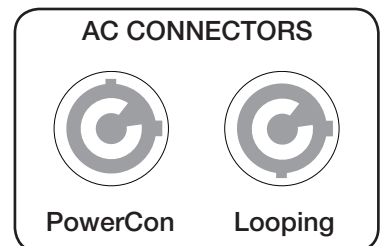
**RMS Communications Board**  
 40.084.008.01



**Looping Audio Input Module**  
 40.084.017.01



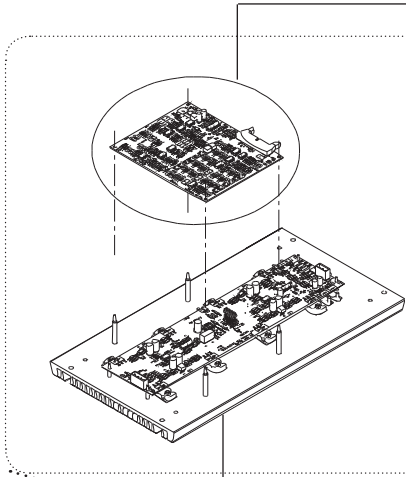
**NOTE:** While this figure represents an M1D, the same modules are used in the M1D-Sub except for the control board. Control boards are specific to each product.



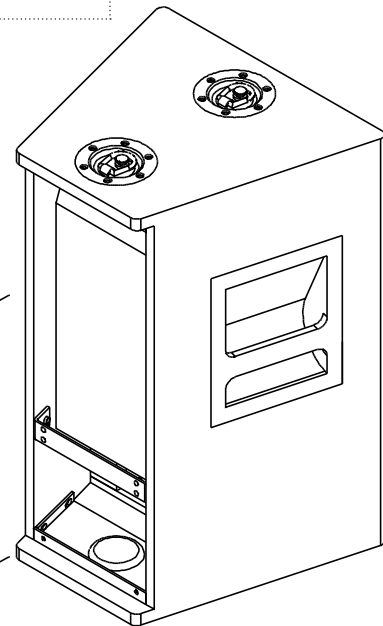
APPENDIX K

UX Amplifier Modules

- UX Control Boards**  
 40.076.010.01 UPA-1P & UM-100P  
 40.076.010.04 UPA-2P & UM-1P  
 40.076.010.03 USW-1P  
 40.076.010.05 USM-1P  
 40.076.010.06 USM-100P

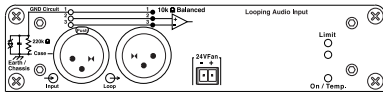


**UX Amplifier/Heatsink Module**  
 40.076.027.01

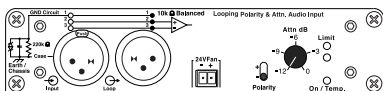


**UX Audio Input Module Options:**

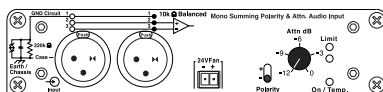
40.076.024.01  
 Looping Audio Module



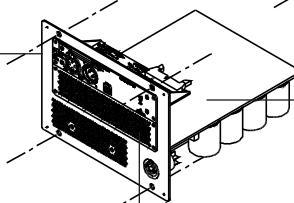
40.076.025.01  
 Looping, Attenuation and Polarity Audio Module



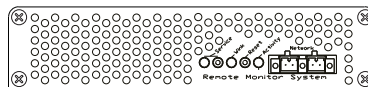
40.076.026.01  
 Mono Summing, Attenuation and Polarity Audio Module



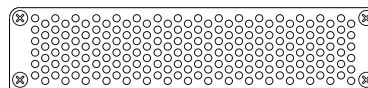
**UX Power Supply**  
 40.076.023.01 PowerCon connector  
 40.076.023.02 VEAM connector



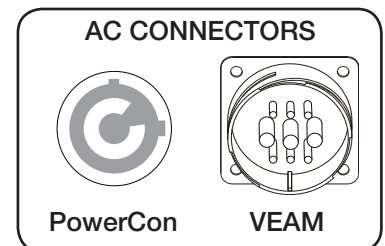
**UX RMS Communications Board (Optional)**  
 40.076.028.01



**UX Blank Plate (Used if no RMS module is installed)**  
 40.076.029.01



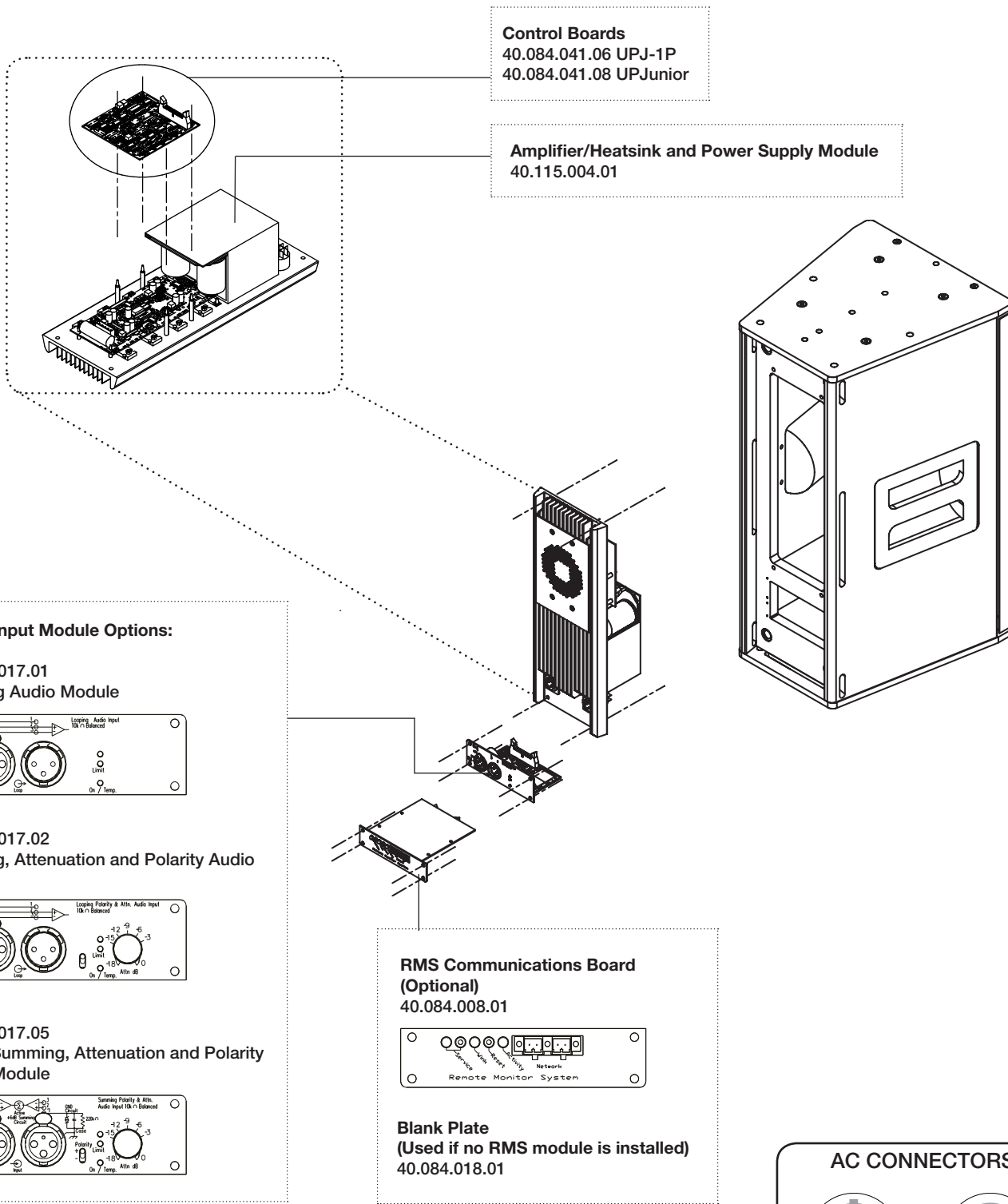
**NOTE:** While this figure represents a UPA-1P, the same UX modules are used in all self-powered UltraSeries products except for the control board. Control boards are specific to each product.



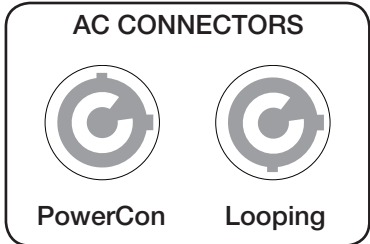


APPENDIX L

UPJ-1P and UPJunior Amplifier Modules

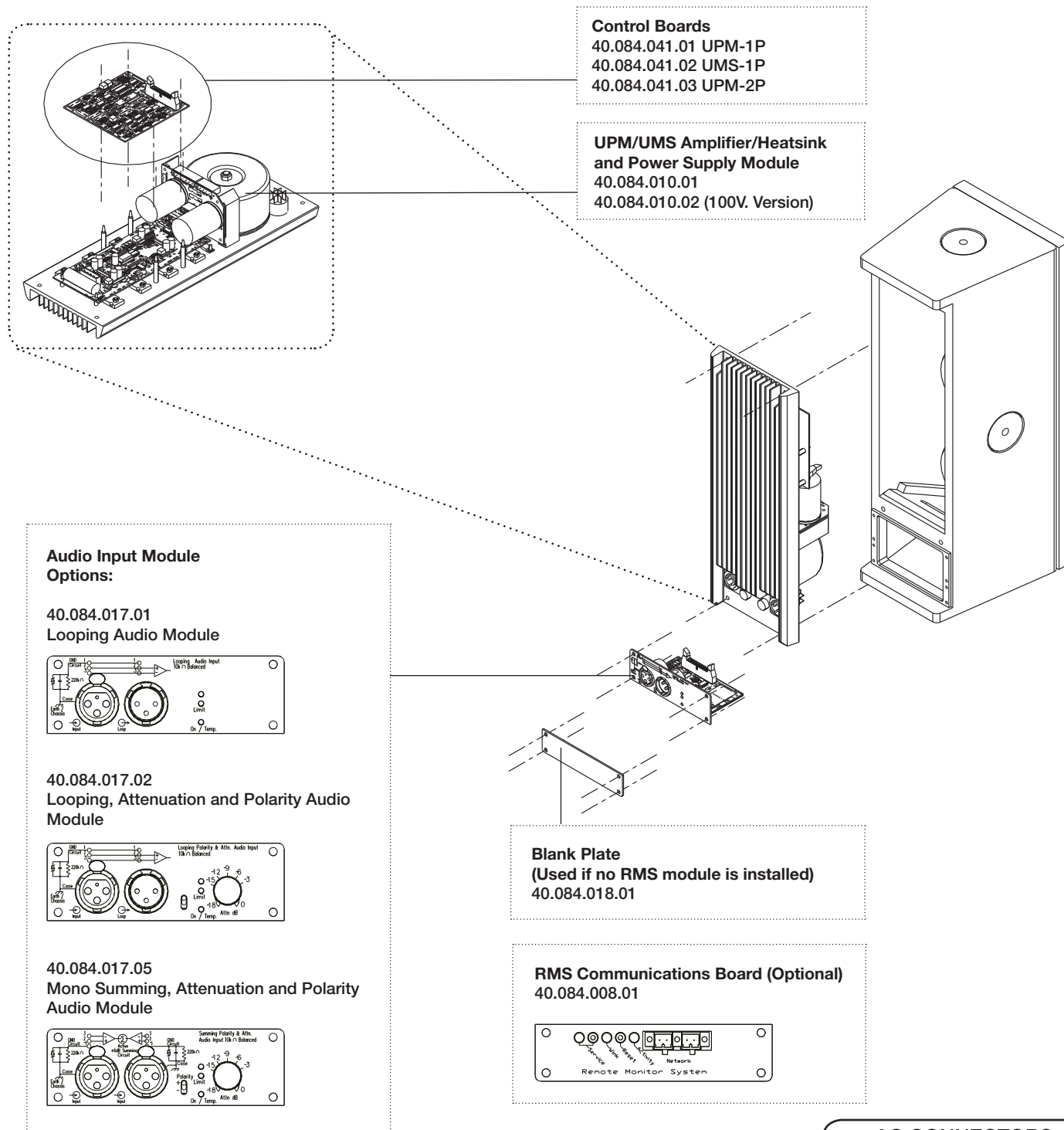


**NOTE:** While this figure represents a UPJ-1P, the same modules are used in the UPJunior except for the control board. Control boards are specific to each product.

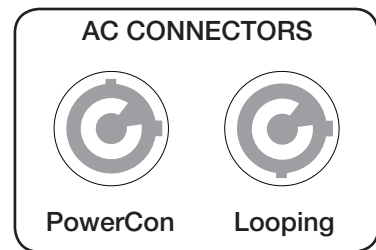


APPENDIX M

UPM/UMS Amplifier Modules

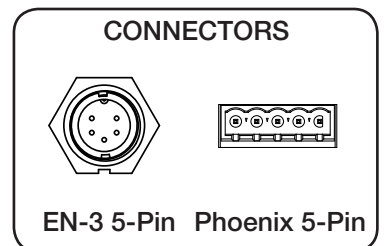
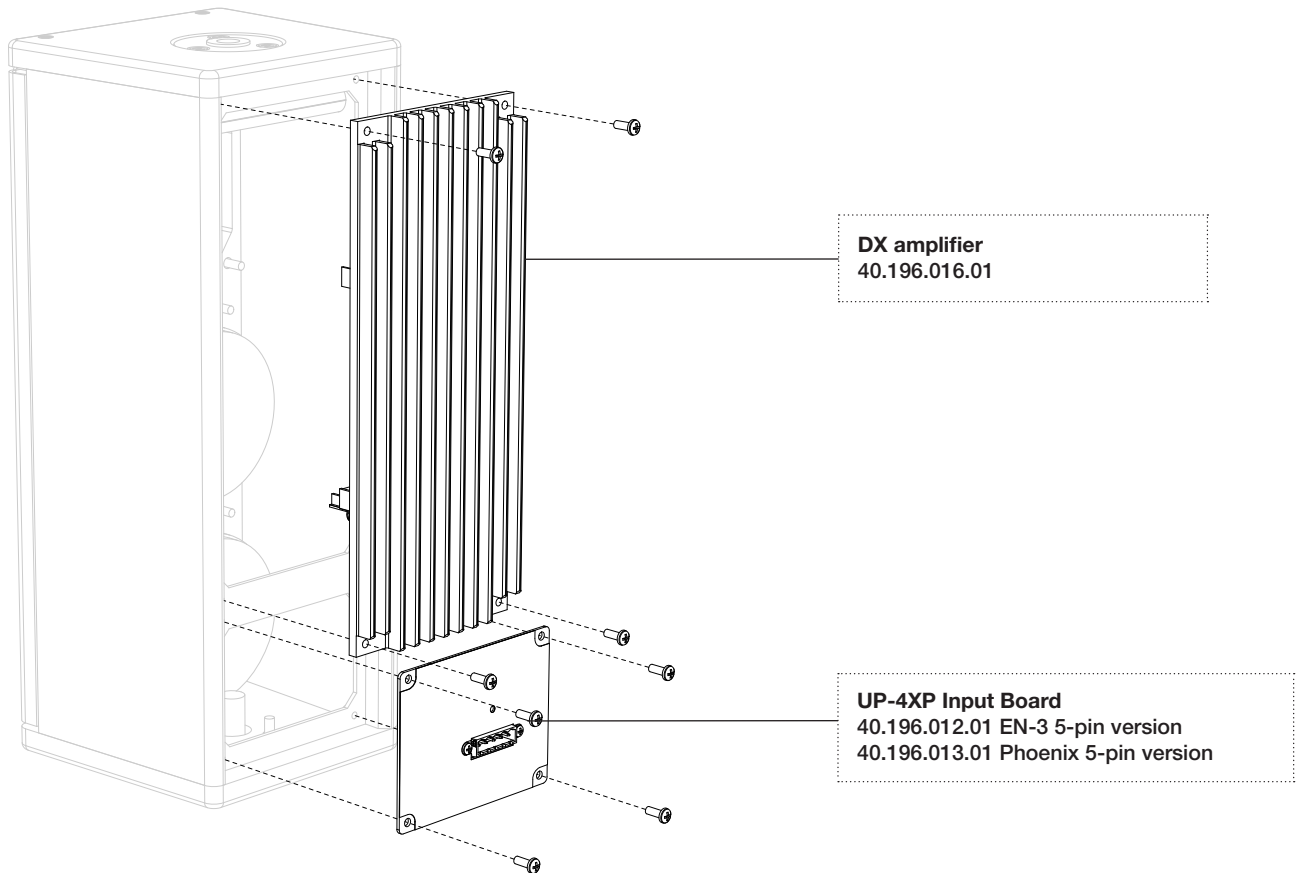


**NOTE:** While this figure represents a UPM-1P, the same modules are used in the UPM-1P, UPM-2P and UMS-1P except for the control board. Control boards are specific for each product.



**APPENDIX N**

**UP-4XP Amplifier Modules**



APPENDIX O

MJF-212 and MJF-212A Amplifier Modules

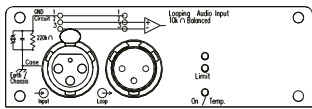
Power Supply Board  
 40.152.048.01

AC Mains Board  
 40.152.033.01

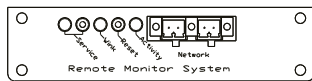
Wide Amplifier/Heatsink Modules  
 40.152.015.01 (Used only in MJF-212)

MJF-212A Dual FET Wide Amplifier/  
 Heatsink Modules  
 40.152.015.03 (Used only in MJF-212A)

Looping Audio Input Module  
 40.084.017.01



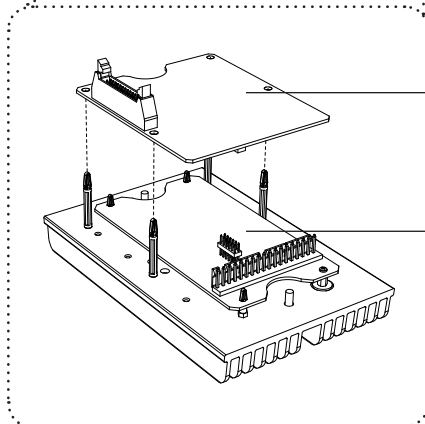
RMS Communications Board  
 (Optional)  
 40.084.008.01



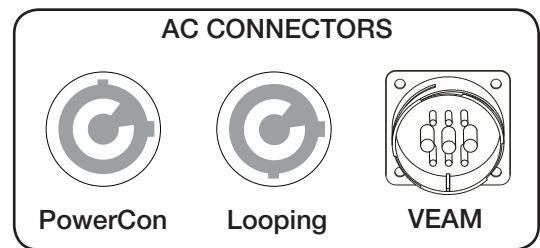
Blank Plate  
 (Used if no RMS module is  
 installed)  
 40.084.018.01

Control Boards  
 40.157.016.01 MJF-212 only  
 40.157.016.02 MJF-212A only

Narrow Amplifier/  
 Heatsink Module  
 40.152.015.02

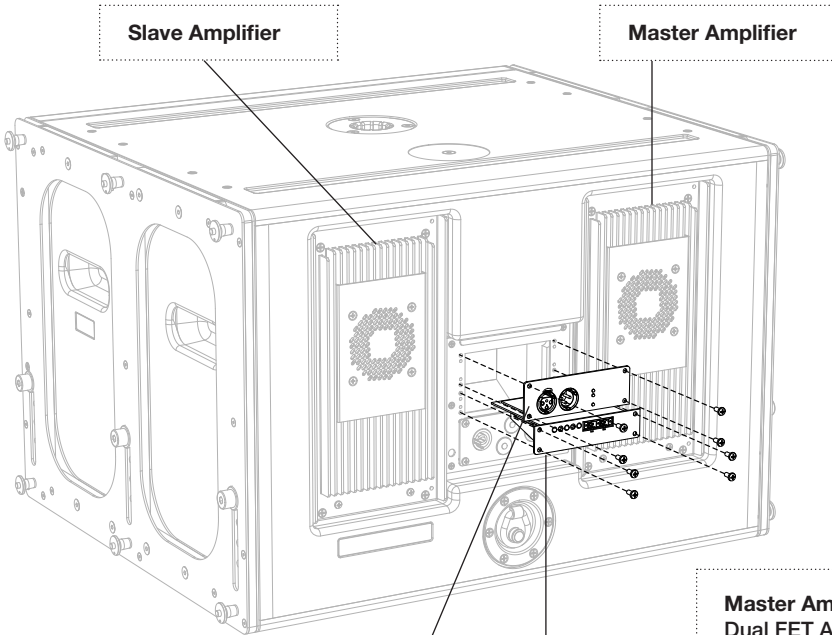


**NOTE:** Use only the correct replacement parts for the MJF-212 and MJF-212A, as specified. For upgrades from the MJF-212 to MJF-212A, please consult Meyer Sound.



APPENDIX P

500-HP Amplifier Modules



**Slave Amplifier**  
 Dual FET Amplifier/Heatsink Module with  
 QuietCool Fan  
 40.185.118.01 Amplifier/Heatsink Module only

**Master Amplifier**  
 Dual FET Amplifier/Heatsink Module with  
 QuietCool Fan  
 40.185.118.01 Amplifier/Heatsink Module only  
 40.185.120.01 Amplifier/Heatsink Module  
 including AC Mains Board (40.152.033.01) and  
 Power Supply Board (40.152.048.01)

**Audio Input Module Options:**

**40.084.017.01**  
 Looping Audio Module

**40.084.017.02**  
 Looping, Attenuation and Polarity Audio Module

**40.084.017.05**  
 Mono Summing, Attenuation and Polarity Audio Module

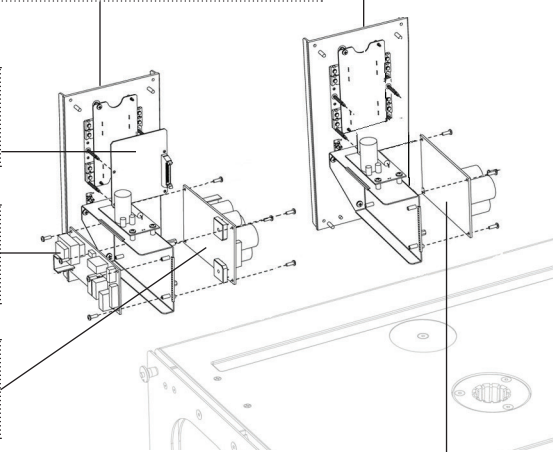
**RMS Communications Board (Optional)**  
 40.084.008.01

**Blank Plate**  
 (Used if no RMS module is installed)  
 40.084.018.01

**500-HP Control Board**  
 40.152.016.09

**AC Mains Board**  
 40.152.033.01

**Power Supply Board**  
 40.152.048.01



**Bank of Capacitors**  
 40.152.201.01

**AC CONNECTORS**

PowerCon      Looping      VEAM

**APPENDIX Q LEO-M Amplifier Modules**

**MODULE DESCRIPTION:**

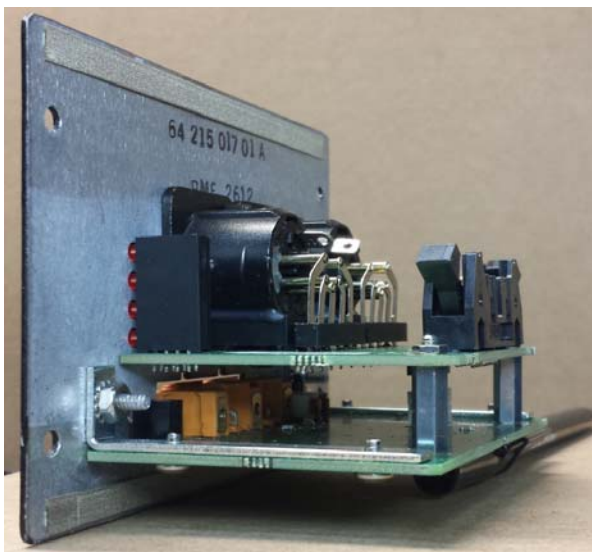
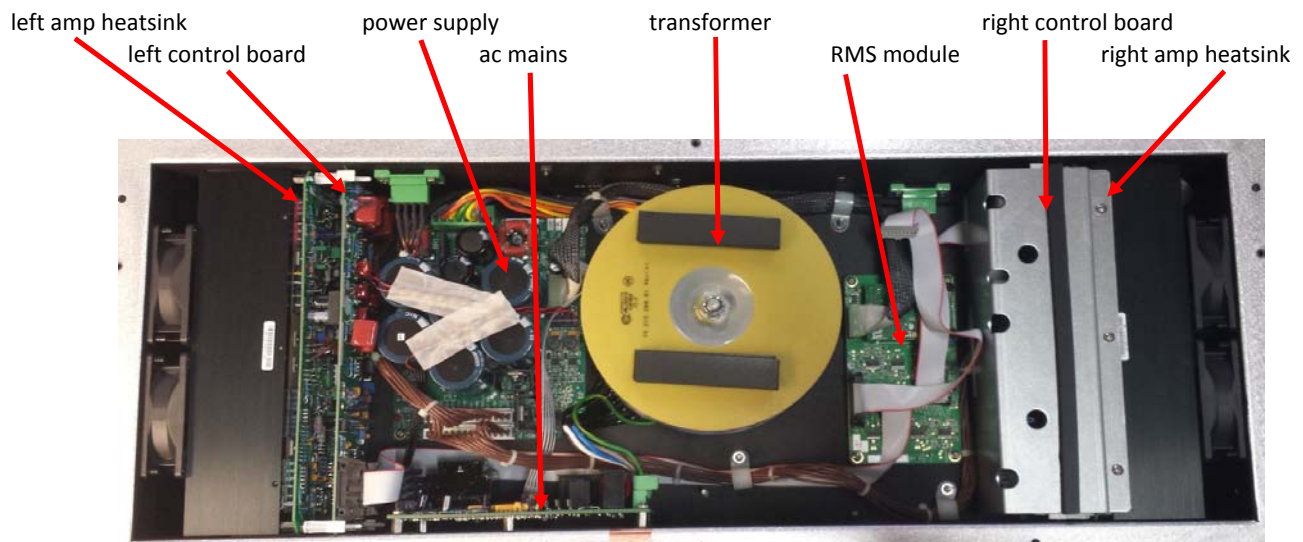
LEO-M/1100 **5PIN XLR INPUT/RMS INTERCON KIT**  
 LEO-M/1100 **RMS PCBA SVCE KIT**  
 MP AC MAINS, 264V SVCE KIT  
 PWR SPLY PCBA(LEO/1100/LYON SVCE KIT  
 LEO-M LEFT CONTROL BOARD  
 LEO-M RIGHT CONTROL BOARD  
 LEO-M LEFT HEATSINK  
 LEO-M RIGHT/1100&LYON HS SVCE KIT

**MSPN:**

40.215.020.01  
 40.215.072.01  
 40.033.019.05  
 40.033.202.06  
 40.147.042.61  
 40.147.042.62  
 40.033.013.12  
 40.033.013.11

**5 PIN ONLY AVAIL LEO**

TOP VIEW

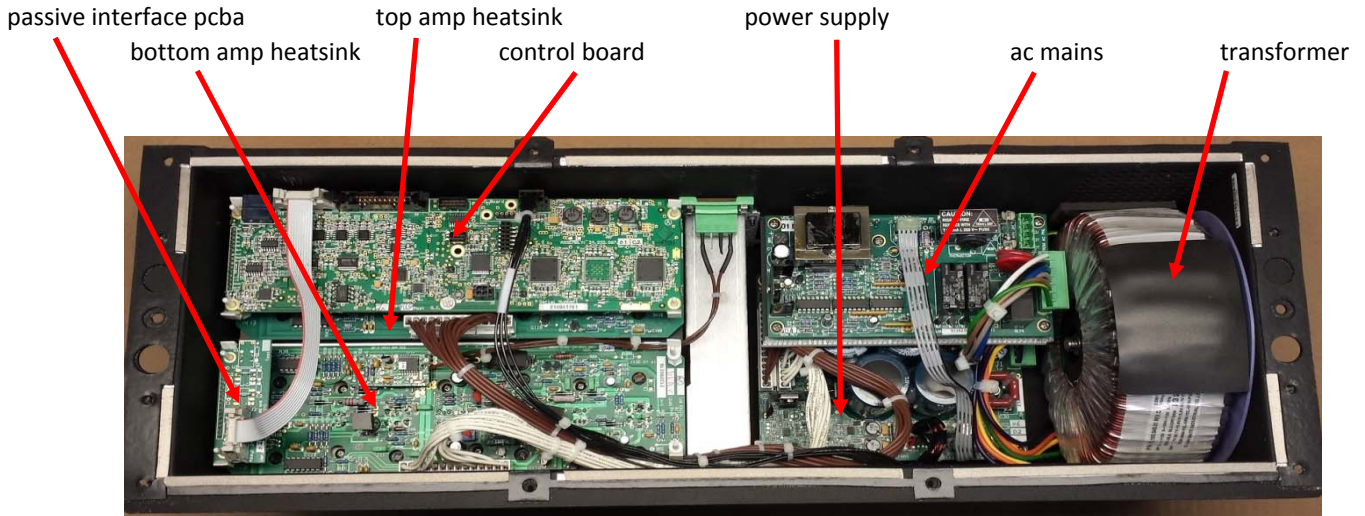


**ONLY AVAILABLE AS I/P & RMS INTERCON ASSY**

LEO-M/1100 5PIN XLR INPUT/RMS INTERCON KIT  
 MSPN: 40.215.020.01

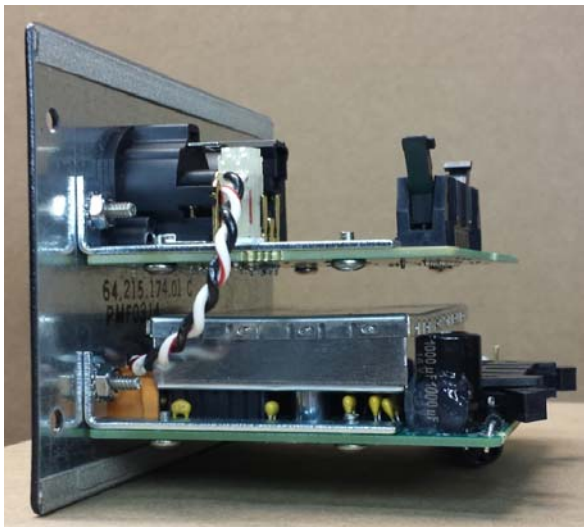
**APPENDIX R LYON Amplifier Modules**

| <b>MODULE DESCRIPTION:</b>        | <b>MSPN:</b>  |
|-----------------------------------|---------------|
| 5P I/P RMS (TYPE 2) DCC KIT       | 40.215.178.01 |
| 3P I/P RMS (TYPE 2) DCC KIT       | 40.215.278.01 |
| DX RMS PCBA                       | 40.196.025.01 |
| HP/MP AC MAINS PCBA 264V W/ RESET | 40.033.019.01 |
| PWR SPLY PCBA (LEO/1100/LYON)SVCE | 40.033.202.06 |
| LYON CONTROL BOARD SERVICE KIT    | 40.232.067.01 |
| LYON HEATSINK SVCE KIT - TOP      | 40.033.013.13 |
| LEO-M RIGHT/1100&LYON HS SVCE KIT | 40.033.013.11 |
| PASSIVE DCC SLAVE INTERFACE BOARD | 24.033.116.02 |



**Input & RMS SOLD TOGETHER AS A KIT ONLY**

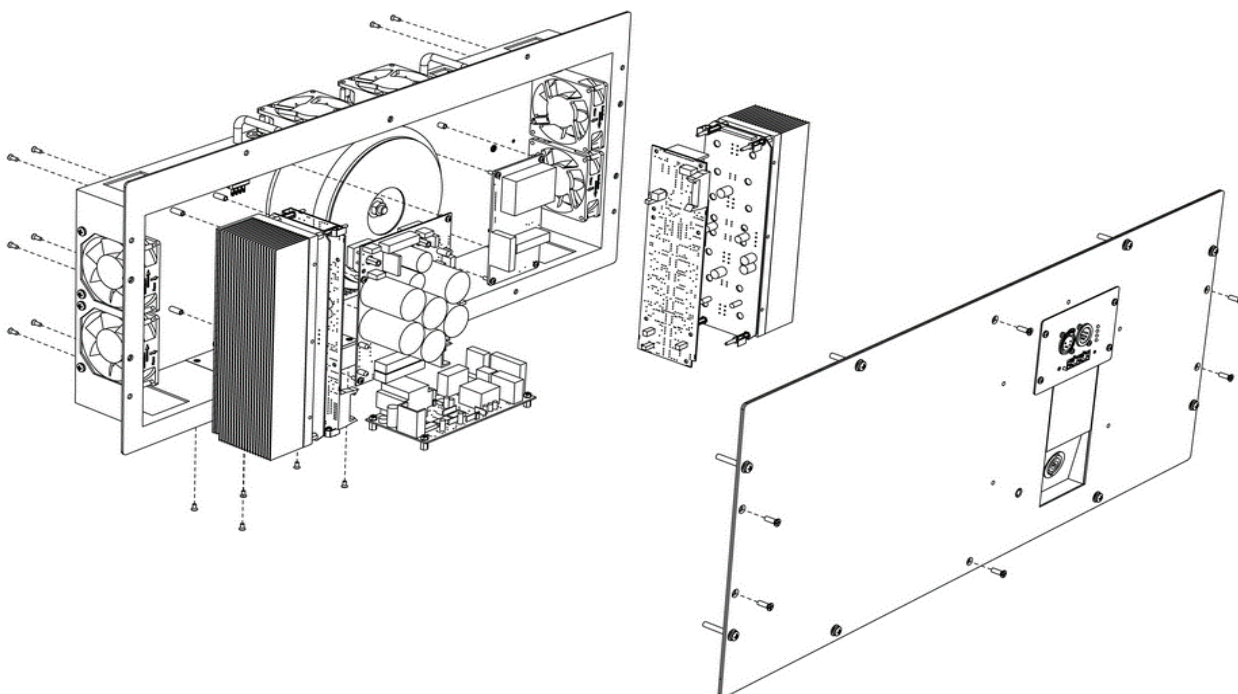
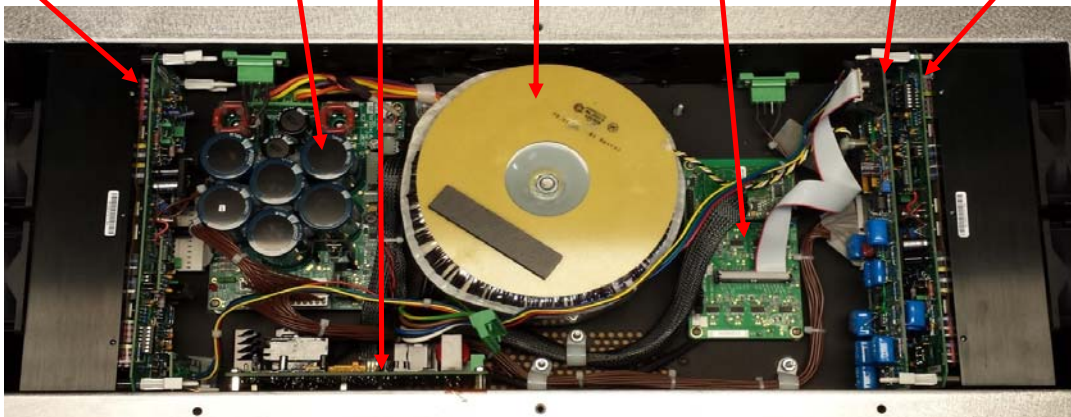
| <b>MODULE DESCRIPTION:</b>  | <b>MSPN:</b>  |
|-----------------------------|---------------|
| 5P I/P RMS (TYPE 2) DCC KIT | 40.215.178.01 |
| 3P I/P RMS (TYPE 2) DCC KIT | 40.215.278.01 |



**APPENDIX S 1100-LFC Amplifier Modules**

|  |               |                               |
|--|---------------|-------------------------------|
| LEO-M/1100 5PIN XLR INPUT/RMS INTERCON KIT     | 40.215.020.01 |                               |
| 1100-LFC <b>3 PIN XLR INPUT/RMS MODULE KIT</b> | 40.220.071.01 | <b>Avail on 1100-LFC ONLY</b> |
| LEO-M/1100 RMS PCBA SVCE KIT                   | 40.215.072.01 |                               |
| MP AC MAINS, 264V SVCE KIT                     | 40.033.019.05 |                               |
| PWR SPLY PCBA (LEO/1100/LYON)SVCE              | 40.033.202.06 |                               |
| 1100-LFC CONTROL CARD PCBA SRVC KIT            | 40.033.042.50 | ONE PER                       |
| LEO-M RIGHT/1100 HTSNK SVCE KIT                | 40.033.013.11 | TWO PER                       |

left amp heatsink      power supply      transformer      control board (one)  
 no control board      ac mains      RMS module      right amp heatsink  
 this side





**Meyer Sound**  
**Replacement Parts, Rigging, and Product Services**  
**February 1, 2016**

Meyer Sound Laboratories, Inc.  
 2832 San Pablo Ave.  
 Berkeley, CA 94702  
 Phone: +1 510 486 1166  
 sales@meyersound.com  
 service@meyersound.com  
 www.meyersound.com

**APPENDIX T Low-Frequency Replacement Drivers Index**

| Size     | Impedance                     | Driver Model   | Equivalent   | Used in Self-Powered Loudspeakers                                       | Used in Non-Powered Loudspeakers   |
|----------|-------------------------------|--|--|---|--|
| 4-inch   | 2                             | ST-24*<br>(40.161.001.01, black)<br>(40.161.001.02, white) | -  | Stella-4<br>*Includes matching amplifier                                | Not used   |
|          | 2                             | ST-24C*<br>(40.161.015.01)                                 | -  | Stella-4C (ceiling mount)<br>*Includes matching amplifier               | Not used   |
|          | 4                             | ST-44<br>(40.163.026.01)                                   | -  | MM-4XP, MM-4XPD, MM-4XPV, UP-4XP  | Not used   |
|          | 16                            | ST-164<br>(40.091.034.01)                                  | -  | SB-2  | MM-4   |
| 5-inch   | 8                             | ST-85<br>(40.098.001.01)                                   | MS-5 low, MS-5 mid                                       | M1D, MVC-5, UPM-1P, UPM-1XP, UPM-2P, UPM-2XP, HMS-5                     | MPS-305, MPS-355, UPM-1, UPM-2   |
| 6.5-inch | 4                             | ST-46N<br>(40.206.001.01)                                  | -  | MINA  | Not used   |
| 8-inch   | 4                             | ST-48C<br>(40.143.001.01)                                  | -  | Stella-8C (ceiling mount)   | Not used   |
|          | 4                             | ST-48N<br>(40.143.036.01)                                  | -  | M'elodie, UPJunior, UPJunior-XP   | Not used   |
| 9-inch   | 2                             | ST-28HP<br>40.247.001.01                                   | -  | LEOPARD   | Not used   |
| 10-inch  | 4                             | MS-410*<br>(40.010.160.01)                                 | <i>inactive use ST-410N both drivers must be changed</i> | UMS-1P<br>*Serial numbers 034xxxxx and below                            | Not used   |
|          | 4                             | ST-410N<br>(40.126.001.01)                                 | MS-410N  | M1D-Sub, M2D, MM-10, UMS-1P, UMS-1XP, UPJ-1P, UPJ-1XP, HMS-10           | Not used   |
|          | 4                             | ST-410HP<br>(40.126.001.02)                                | -  | MICA, MJF-210   | Not used   |
|          | 8                             | MS-10<br>(40.552.014.02)                                   | -  | HM-1 Sub and HM-1 Studio Sub  | Not used   |
| 12-inch  | 2                             | ST-212*<br>(40.107.081.01)                                 | MS-212   | UM-1P, UM-100P, UPA-1P, UPA-2P<br>*Serial numbers 98xx and above        | Not used   |
|          | 2                             | ST-212A<br>(40.130.100.01)                                 | -  | MJF-212A  | Not used   |
|          | 2                             | ST-212S<br>(40.130.100.02)                                 | -  | Acheron Designer, 500-HP  | Not used   |
|          | 4                             | MS-412*<br>(40.010.149.01)                                 | -  | UM-1P, UM-100P, UPA-1P, UPA-2P<br>*Serial numbers 97xx "J-1" Units ONLY | Not used   |
|          | 4                             | ST-412A<br>(40.130.200.01)                                 | -  | HMS-12  | Not Used   |
|          | 4                             | ST-412HP<br>(40.226.001.01)                                | -  | LYON  | Not used   |
|          | 4                             | ST-412N<br>(40.130.001.01)                                 | -  | MILO, MILO 60, MILO 120, MJF-212  | Not used   |
| 15-inch  | 8                             | ST-812<br>(40.107.013.01)                                  | MS-812, MS-12, HTS & W/P Version                         | DS-4P, MSL-4, MSL-6, MTS-4/A, PSM-2, SB-1                               | MSL-3(A), MSL-5, MSL-10, UM-1(A/B/C), UPA-1(A/B/C), UPA-2C               |
|          | 2                             | ST-215<br>(40.119.001.01)                                  | MS-215   | USM-1P, USM-100P, Acheron Studio  | Not used   |
|          | 2                             | ST-215A<br>(40.122.001.04)                                 | -  | JM-1P, UQP-1P/2P, HMS-15(AC)  | Not used   |
|          | 4                             | ST-415<br>(40.121.001.01)                                  | MS-415   | PSW-6 (front and rear 15"), USW-1P                                      | Not used   |
|          | 4                             | ST-415A<br>(40.122.001.05)                                 | -  | Acheron 80.100 and LF   | Not used   |
|          | 4                             | ST-415HP<br>(40.219.001.05)                                | -  | LEO-M   | Not used   |
|          | 4                             | ST-415N<br>(40.122.001.01)                                 | MS-415N  | M2D-Sub, M3D (front)  | Not used   |
|          | 4                             | ST-415S<br>(40.122.001.02)                                 | -  | 600-HP  | Not used   |
| 18-inch  | 8                             | ST-815<br>(40.113.001.01)                                  | MS-815, MS-15, BLUE & SILVER HTS & W/P Version           | CQ-1/2, DF-4, DS-2P, M3D (rear), M3D-Sub (rear), MTS-4/A, PSW-2/4       | DS-2, MSL-2, USM-1, USW-1**<br>**USW-1 needs Spacer Ring (40.056.050.01) |
|          | 4                             | ST-418A<br>(40.125.001.02)                                 | -  | 700-HP, X-400C  | Not used   |
|          | 4                             | ST-418N<br>(40.125.001.01)                                 | MS-418N  | M3D-Sub (front)   | Not Used   |
|          | 8                             | ST-818<br>(40.124.001.01)                                  | MS-818, MS-18 HTS & W/P Version                          | 650-P, MTS-4(A), PSW-4, PSW-6 (front), X-800                            | 650-R2, MSW-2  |
|          | 8                             | MS-818LFC<br>(40.220.060.01)                               | -  | 1100-LFC  | Not used   |
| 2        | ST-2218LFC<br>(40.246.017.01) | -  | 900-LFC  | Not used  |  |

**NOTE 1:** HD-1 & 2 studio monitors and UPL-1 & 2 loudspeakers must be sent to Meyer Sound or Meyer Sound Germany for service and calibration. Meyer Sound does not sell any of the components for these loudspeakers.

**NOTE 2:** Please contact Meyer Sound about replacement drivers for the X-10 and 833 studio monitors.

**Meyer Sound**  
**Replacement Parts, Rigging, and Product Services**  
**February 1, 2016**

Meyer Sound Laboratories, Inc.  
 2832 San Pablo Ave.  
 Berkeley, CA 94702  
 Phone: +1 510 486 1166  
 sales@meyersound.com  
 service@meyersound.com  
 www.meyersound.com

**APPENDIX U High-Frequency Replacement Drivers Index**

| Driver Model                          | Used in Upgrade Kit                | Equivalent           | Used in Self-Powered Loudspeakers  | Used in Non-Powered Loudspeakers                                |
|---------------------------------------|------------------------------------|----------------------|--|---|
| M1D HF Array<br>(40.115.015.01)       | -                                  | -                    | M1D, MVC-5   | Not Used  |
| Piezo Tweeter/Horn<br>(40.066.027.01) | -                                  | -                    | Not Used   | MPS-305, MPS-355, UPM-1   |
| UPM-1P Tweeter<br>(40.030.008.02)     | -                                  | -                    | UP-4XP, UPM-1P, UPM-1XP, UPM-2P, UPM-2XP   | UPM-2   |
| MS-75J<br>(40.134.045.01)             | -                                  | -                    | UPJ-1P, UPJ-1XP  | Not used  |
| MS-1201L<br>(40.134.045.02)           | -                                  | -                    | M'elodie, MICA, MINA, HMS-12, HMS-15(AC)   | Not used  |
| MS-1010L<br>(40.133.001.01)           | -                                  | -                    | MILO, MILO 60, MILO 120 (VHF Driver), UPJunior, UPJunior-XP, HMS-5, HMS-10           | Not used  |
| MS-1401M                              | UPA-1A to C<br>(40.052.106.01)     | MS-1401A RED         | Not Used   | UPA-1A  |
| MS-1401M                              | UM-1A to C<br>(40.051.123.01)      | MS-1401A BLUE        | Not Used   | UM-1A   |
| MS-1401M                              | UPA-1B to C<br>(40.052.107.02)     | MS-1401B             | Not Used   | UPA-1B  |
| MS-1401M                              | UM-1B to C<br>(40.051.124.02)      | MS-1401B             | Not Used   | UM-1B   |
| MS-1401M Kit<br>(40.051.192.03)       | -                                  | MS-1401B             | Not Used   | UM-1C, UPA-1C, UPA-2C (Using MS-1401B driver and Y-1PD Network) |
| MS-1401M<br>(40.076.037.01)           | -                                  | -                    | UM-1P, UM-100P, USM-1P, USM-100P UPA-1P, UPA-2P                                      | UM-1C, UPA-1C, UPA-2C (Using MS-1401M driver and M Network)     |
| MS-2010A<br>(40.071.192.01)           | MSL-3 to MSL-3A<br>(40.071.082.04) | MS-2001A<br>MS-2001N | MSL-4, MSL-6, MTS-4(A)   | MSL-2A, MSL-3(A), MSL-5, MSL-10(A), USM-1, HF-3                 |
| MS-2010B<br>(40.071.254.01)           | -                                  | MS-2001A             | SB-1   | Not used  |
| MS-2010C<br>(40.071.194.01)           | -                                  | MS-2001CQ            | CQ-1, CQ-2, DF-4, MJF-212/A, PSM-2, Acheron 80/100, Acheron Studio, Acheron Designer | Not used  |
| MS-2010L<br>(40.071.253.02)           | -                                  | -                    | JM-1P, M2D, M3D, MILO, MILO 60, MILO 120 (HF Driver), MJF-210, UPQ-1P, UPQ-2P        | Not used  |
| MS-2011M<br>(40.216.001.01)           | -                                  | -                    | LEO-M  | Not used  |
| MS-1211M<br>(40.238.001.01)           | -                                  | -                    | LYON   | Not used  |
| MS-1212M<br>(40.253.001.01)           | -                                  | -                    | LEOPARD  | Not Used  |

**NOTE 1:** HD-1 & 2 studio monitors and UPL-1 & 2 loudspeakers must be sent to Meyer Sound or Meyer Sound Germany for service and calibration. Meyer Sound does not sell any of the components for these loudspeakers.

**NOTE 2:** Please contact Meyer Sound about replacement drivers for the X-10 and 833 studio monitors.