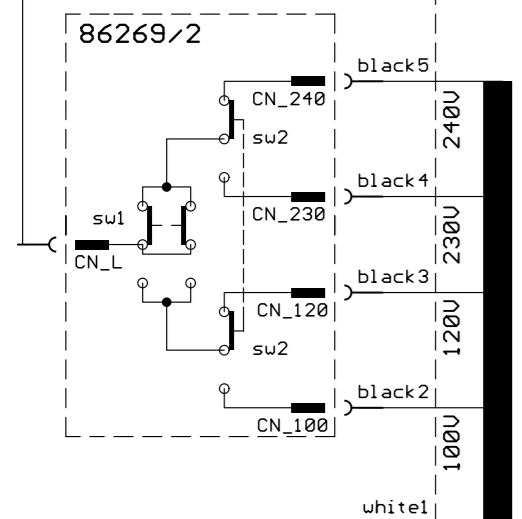
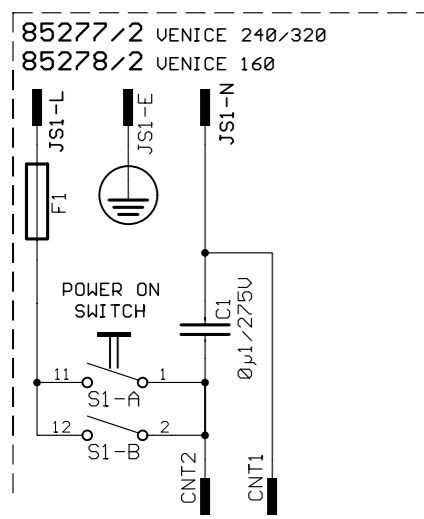


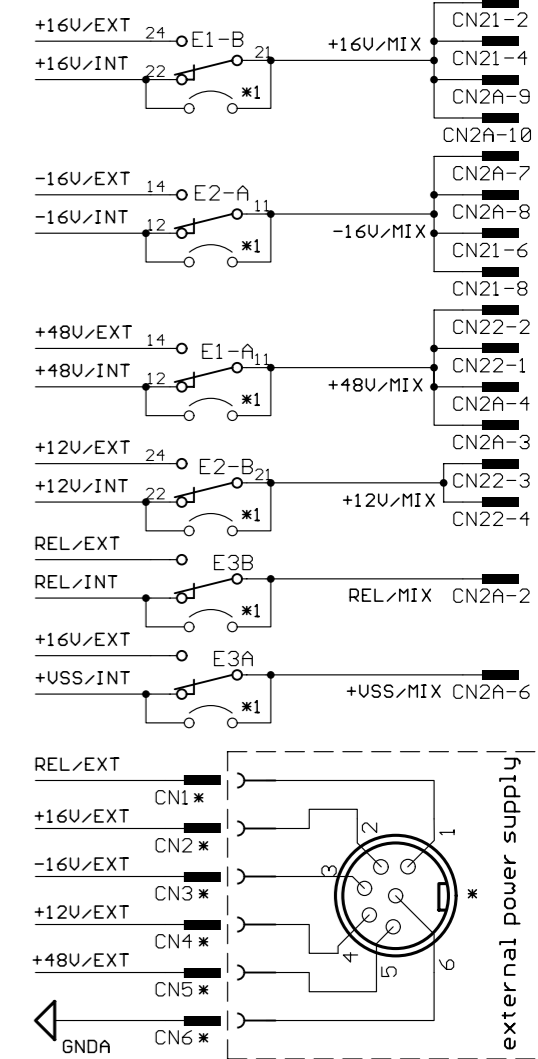
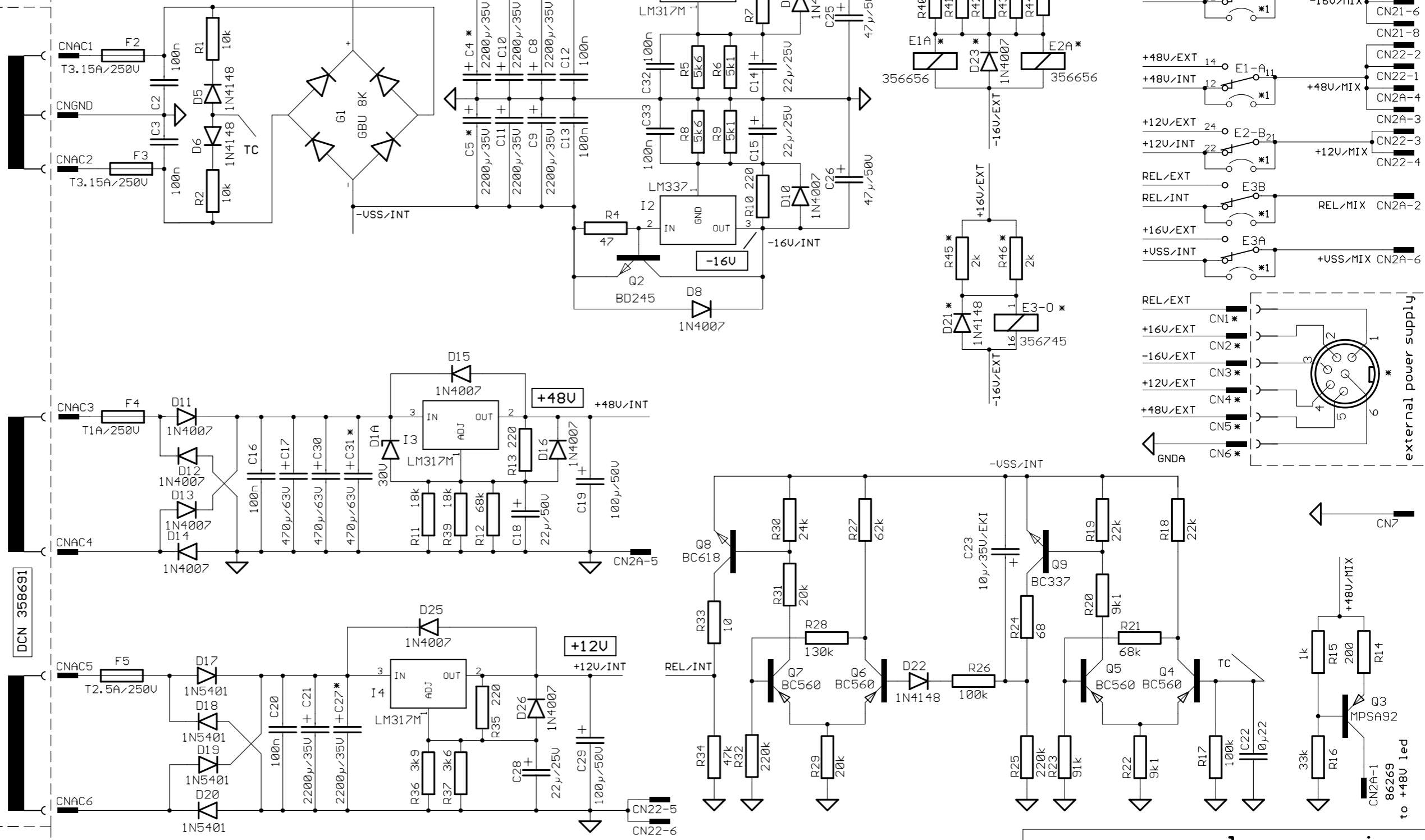
F1	100U-120U	220U-240U
VENICE 160	T3.15A/L/250U	T1.6A/L/250U
VENICE 240	T3.15A/L/250U	T1.6A/L/250U
VENICE 320	T3.15A/L/250U	T1.6A/L/250U



* 85277	85278
CN1-CN6	343516 n. c.
D21	1N4148 n. c.
D23	1N4007 n. c.
E1 / E2	356656 n. c.
E3	356745 n. c.
R40-R44	1k0hm n. c.
R45-R46	2k0hm n. c.
C27	2200µ n. c.
C31	470µ n. c.

*1 only at 85278

85277/1 VENICE 240/320
85278/1 VENICE 160



ALTERATIONS RESERVED!

				Last modified: 31.05.2001 07:39:10
				Last plotted: 18.06.2001 13:51:09
				2000 DATE NAME
				DSG'D 11.00 Schuhb.
				CHK'D
				APP'D
C	24/03	27.03	Stangl	
B	09/01	14.02	Stangl	
A	Nullserie	31.01	Stangl	
ISSUE	REVISION	DATE	NAME	

MIDAS

power supply / mains

85277C 85278

BLOCK DIAGRAM

357 412

MIDAS Venice

4-

