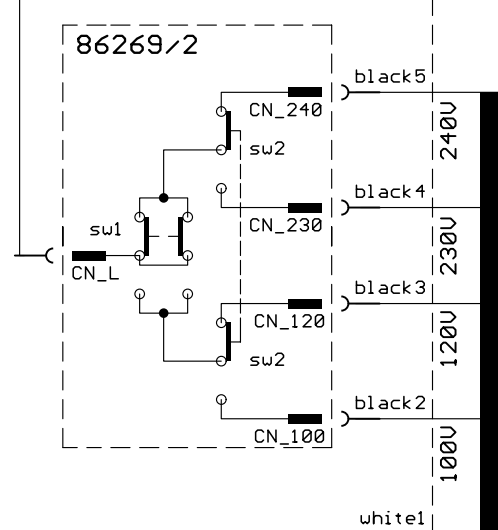
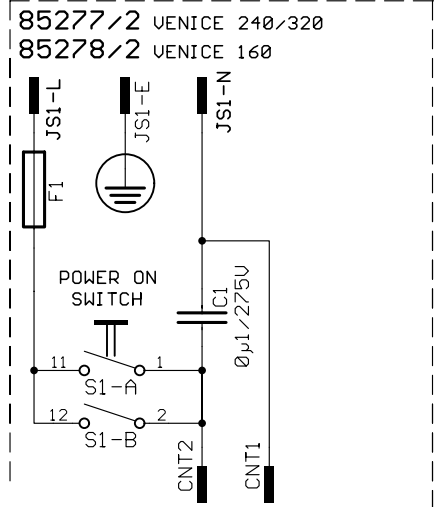


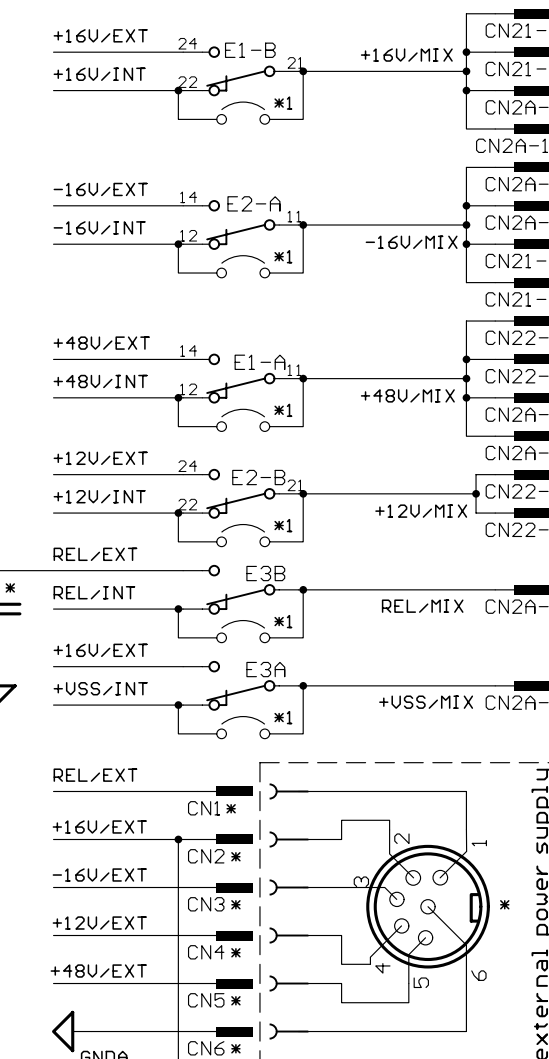
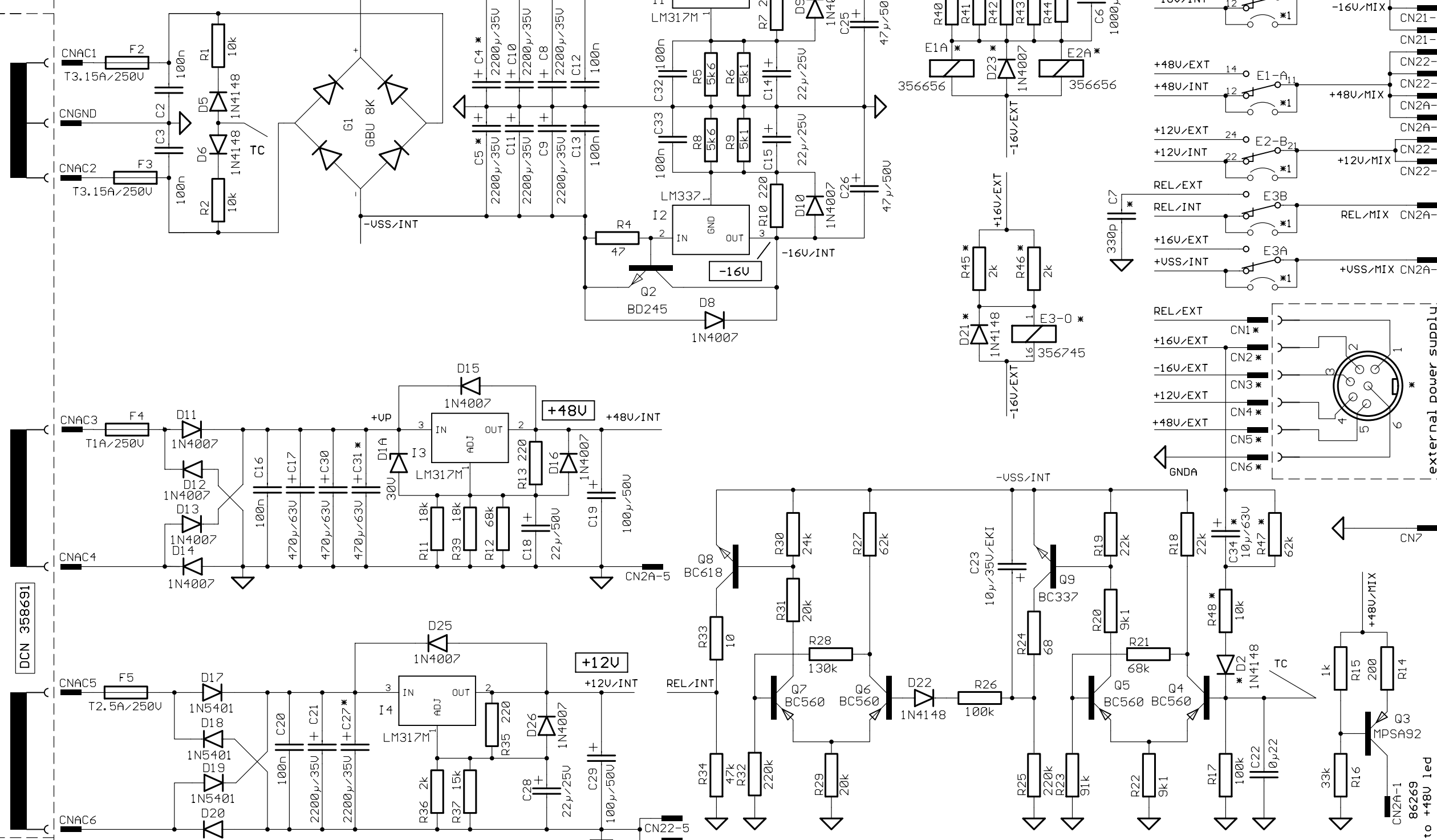
F1	100U-120U	220U-240U
VENICE 160	T3.15A/L/250U	T1.6A/L/250U
VENICE 240	T3.15A/L/250U	T1.6A/L/250U
VENICE 320	T3.15A/L/250U	T1.6A/L/250U

85277/1 VENICE 240/320
85278/1 VENICE 160



85277 VENICE 240/320
85278 VENICE 160
*1 only at 85278

*	85277	85278
CN1-CN6	343516	n. c.
D2 / D21	1N4148	n. c.
D23	1N4007	n. c.
E1 / E2	356656	n. c.
E3	356745	n. c.
R40-R44	1k0hm	n. c.
R45-R46	2k0hm	n. c.
R47	62k0hm	n. c.
R48	10k0hm	n. c.
C6	1000µ	n. c.
C7	330p	n. c.
C27	2200µ	n. c.
C31	470µ	n. c.
C34	10µ	n. c.



DCN 358691

ALTERATIONS RESERVED!

ISSUE	REVISION	DATE	NAME
D	57/01	27.07	Stangl
C	24/03	27.03	Stangl
B	09/01	14.02	Stangl
A	Nullserie	31.01	Stangl

MIDAS

power supply / mains

85277D 85278

CIRCUIT DIAGRAM

357 412
MIDAS Venice

4-