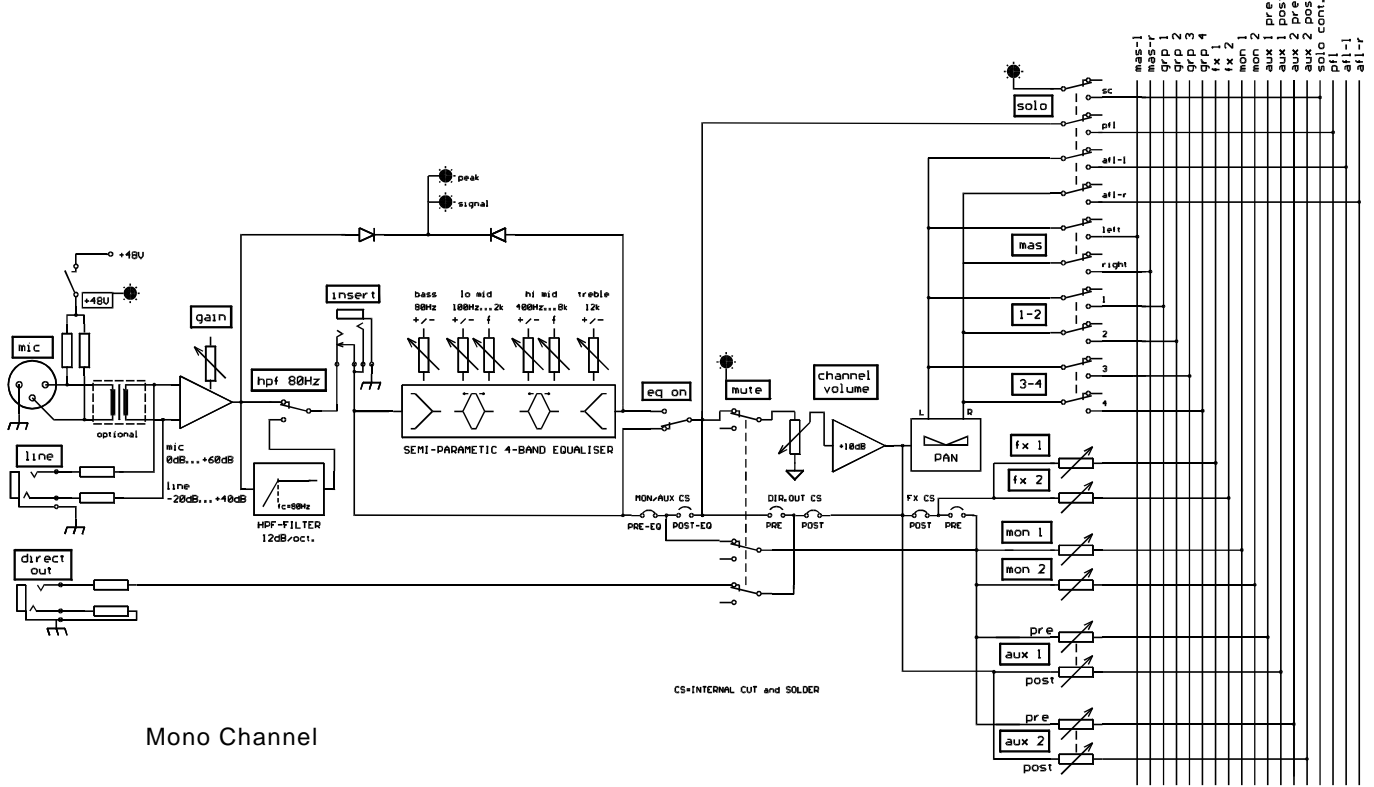
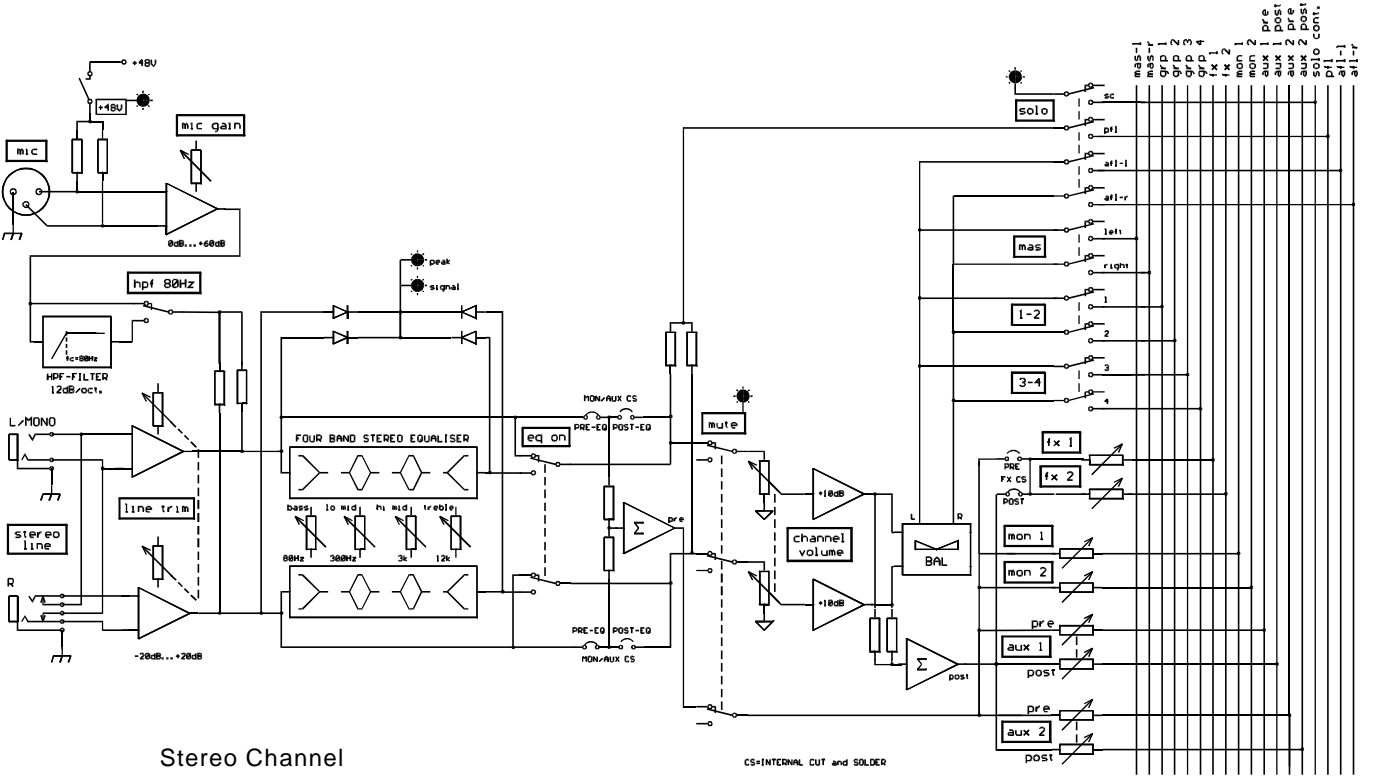


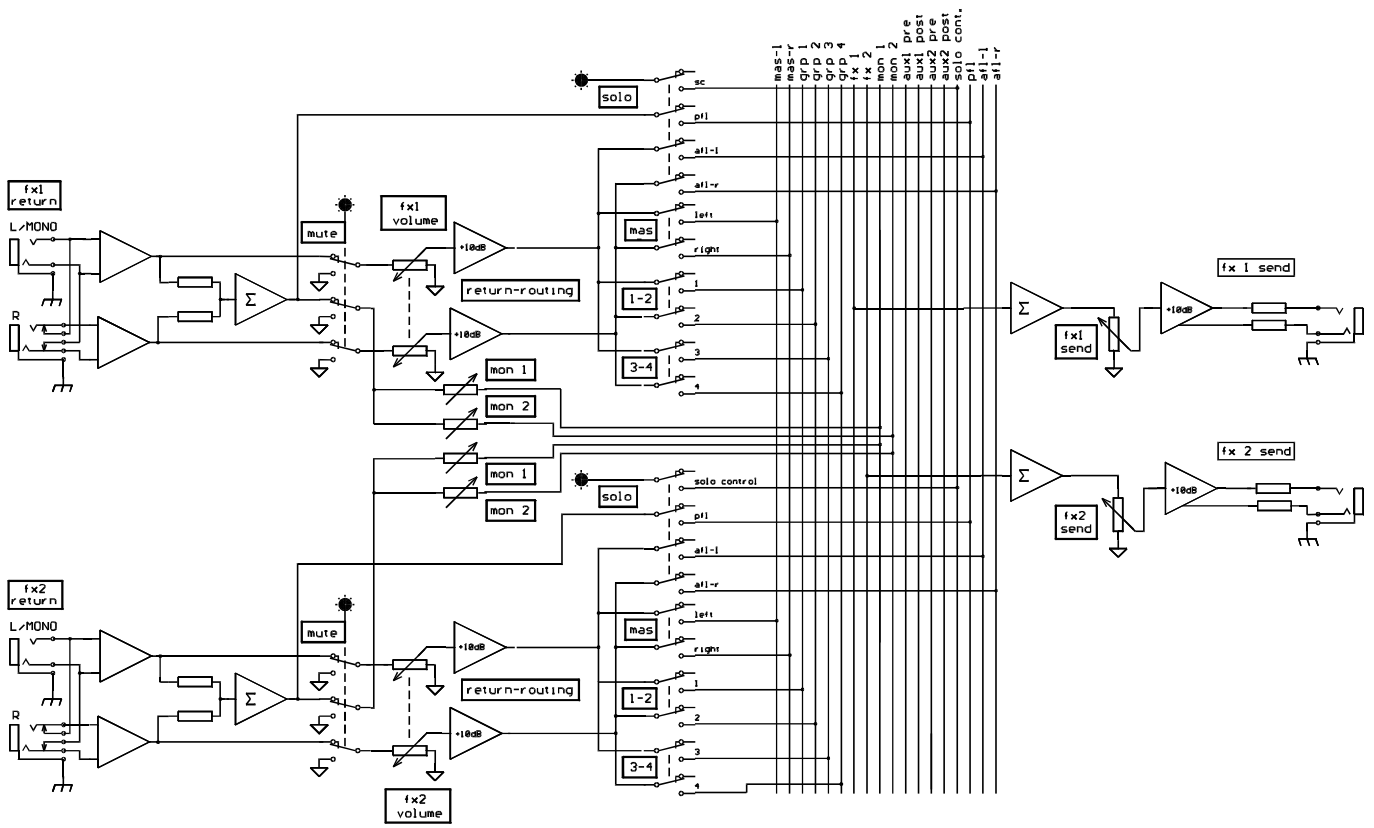
BLOCK DIAGRAMS



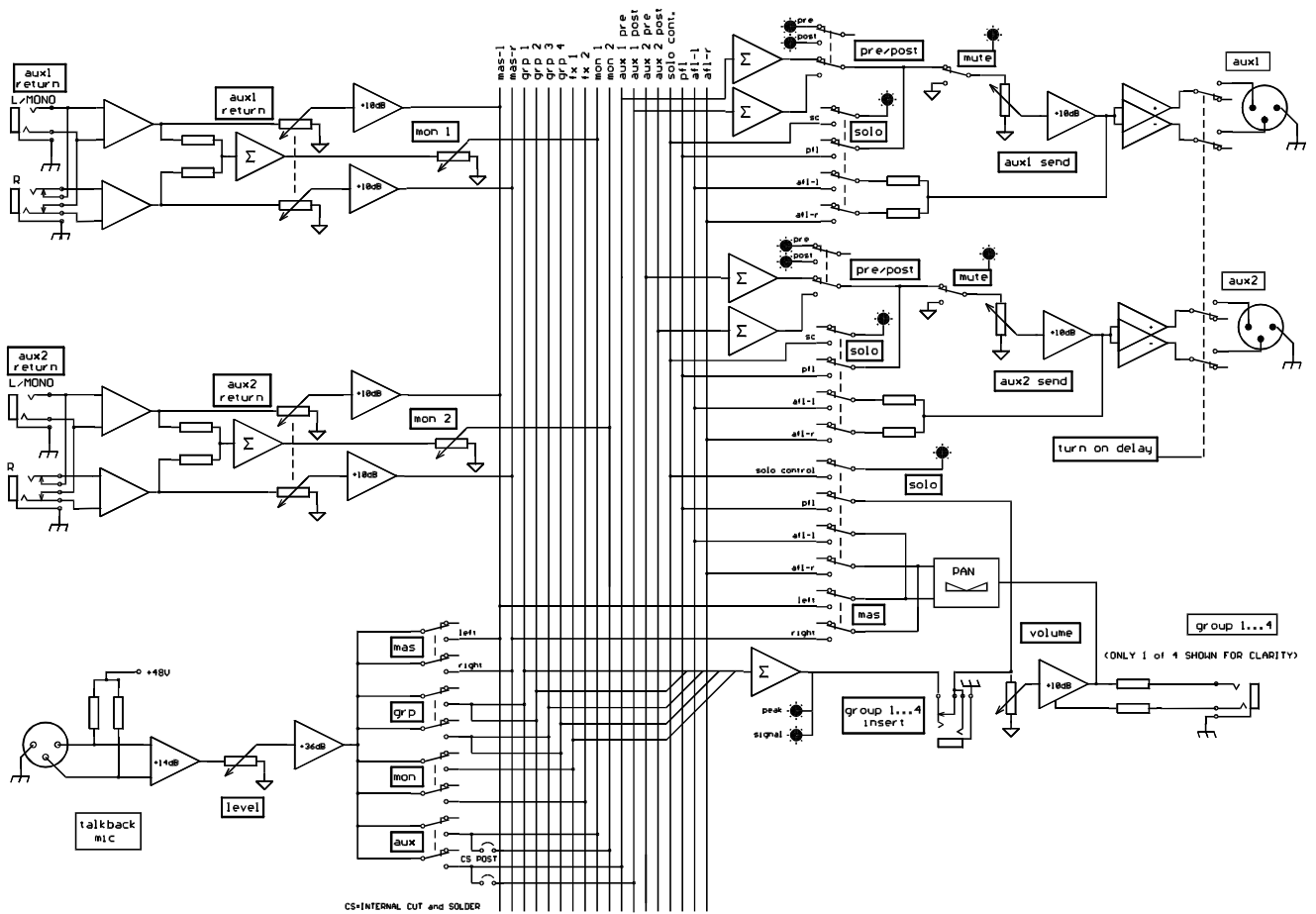
Mono Channel



Stereo Channel

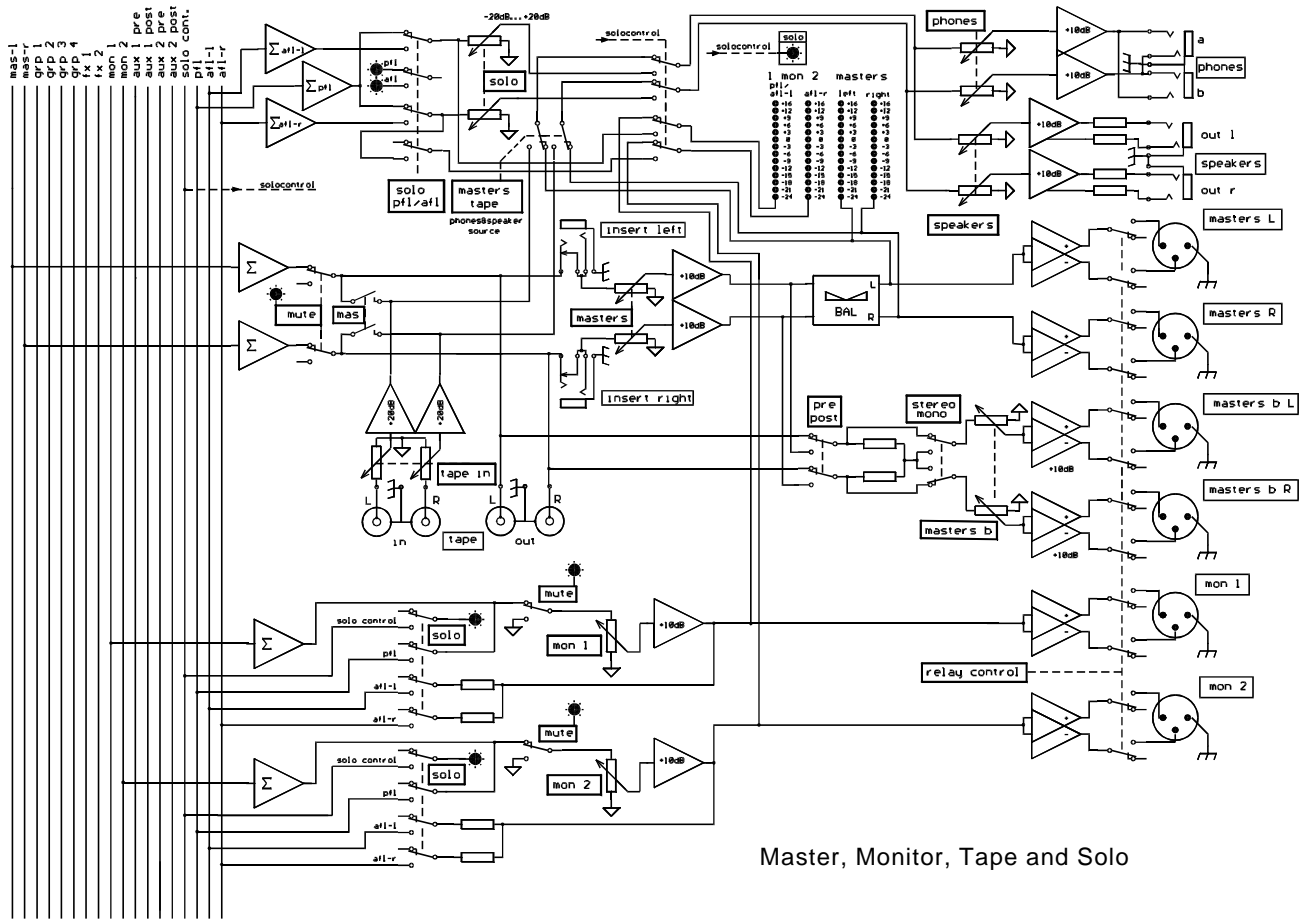


FX-send, FX-return

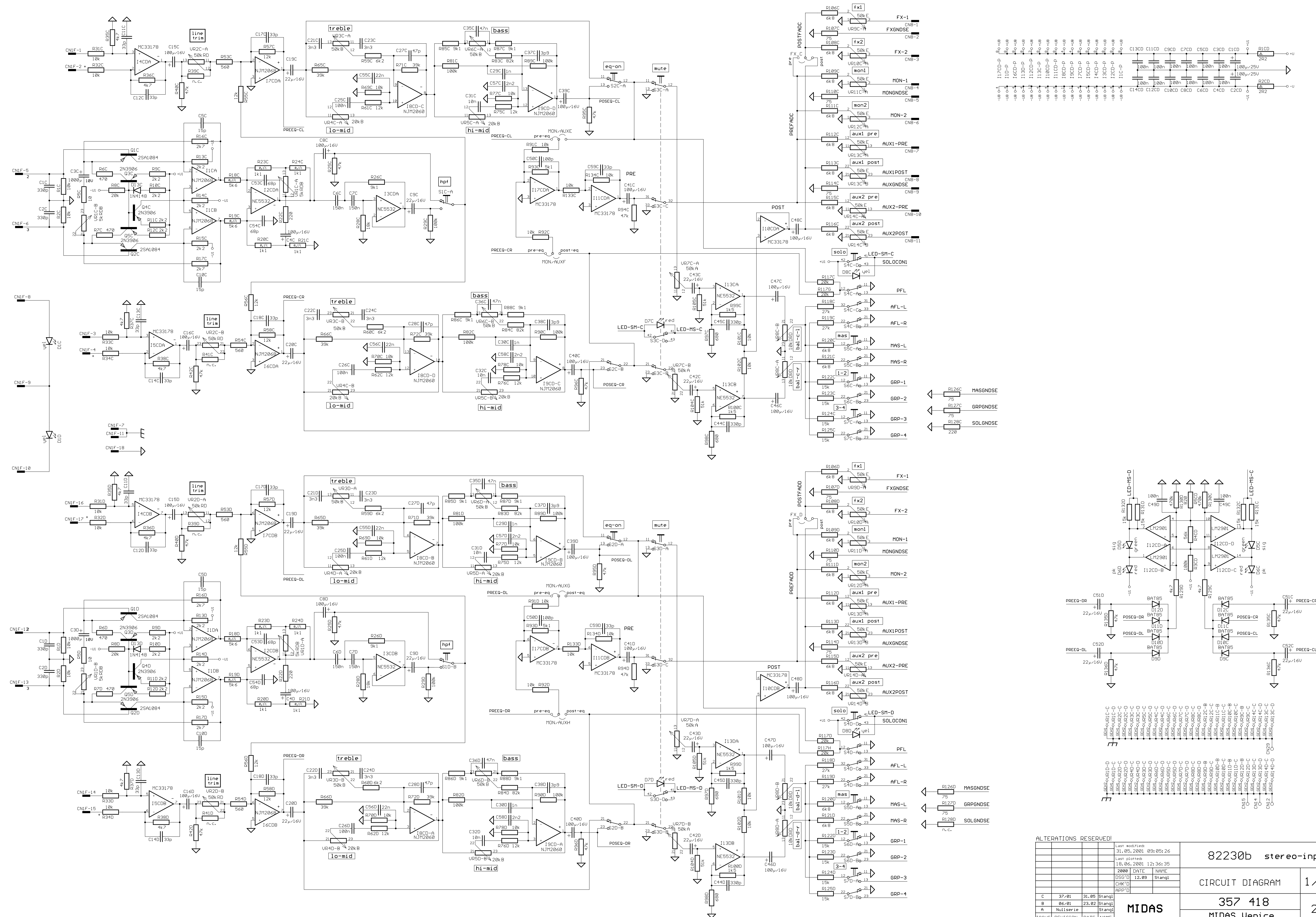


CS=INTERNAL CUT and SOLDER

Aux, Groups and Talkback

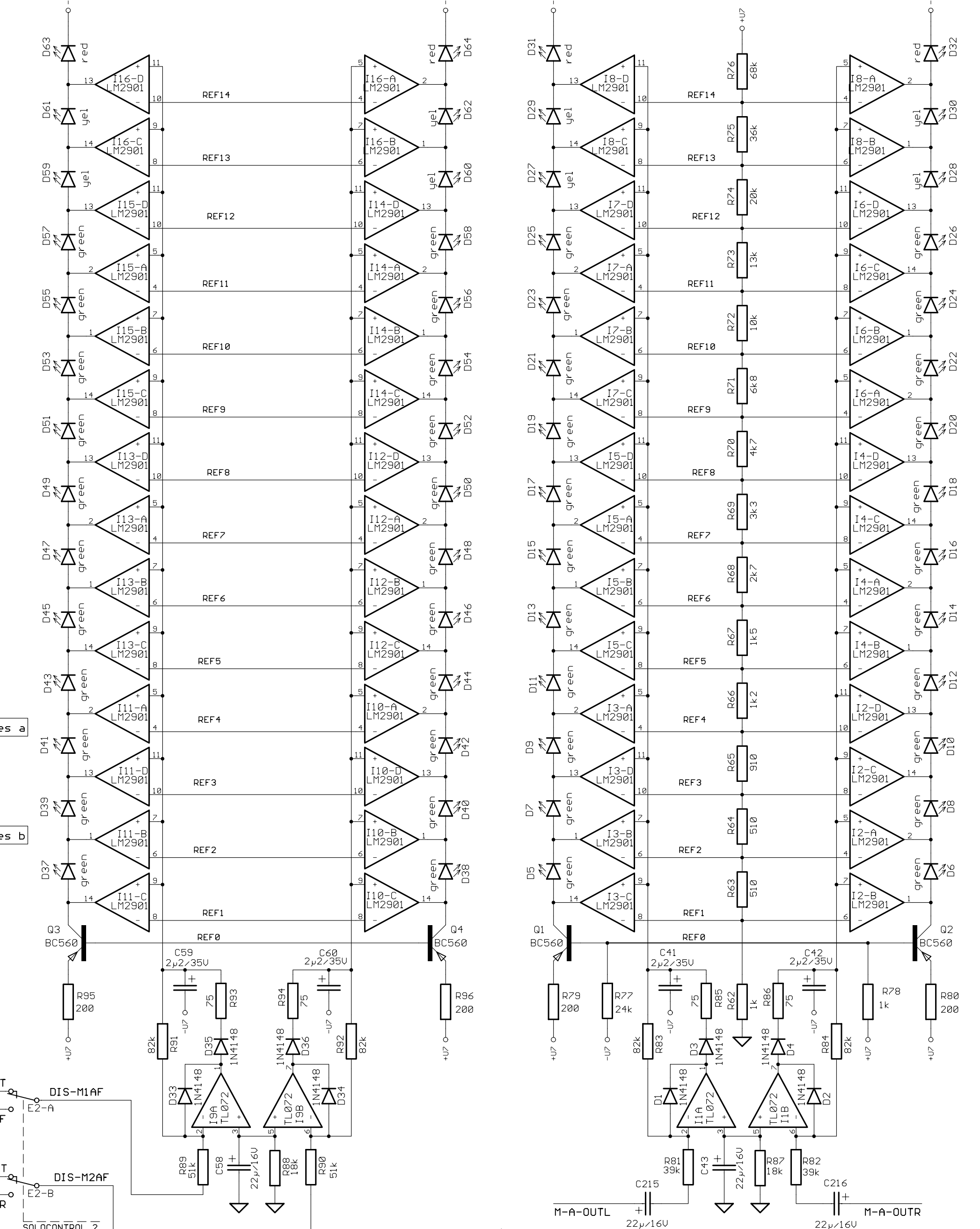
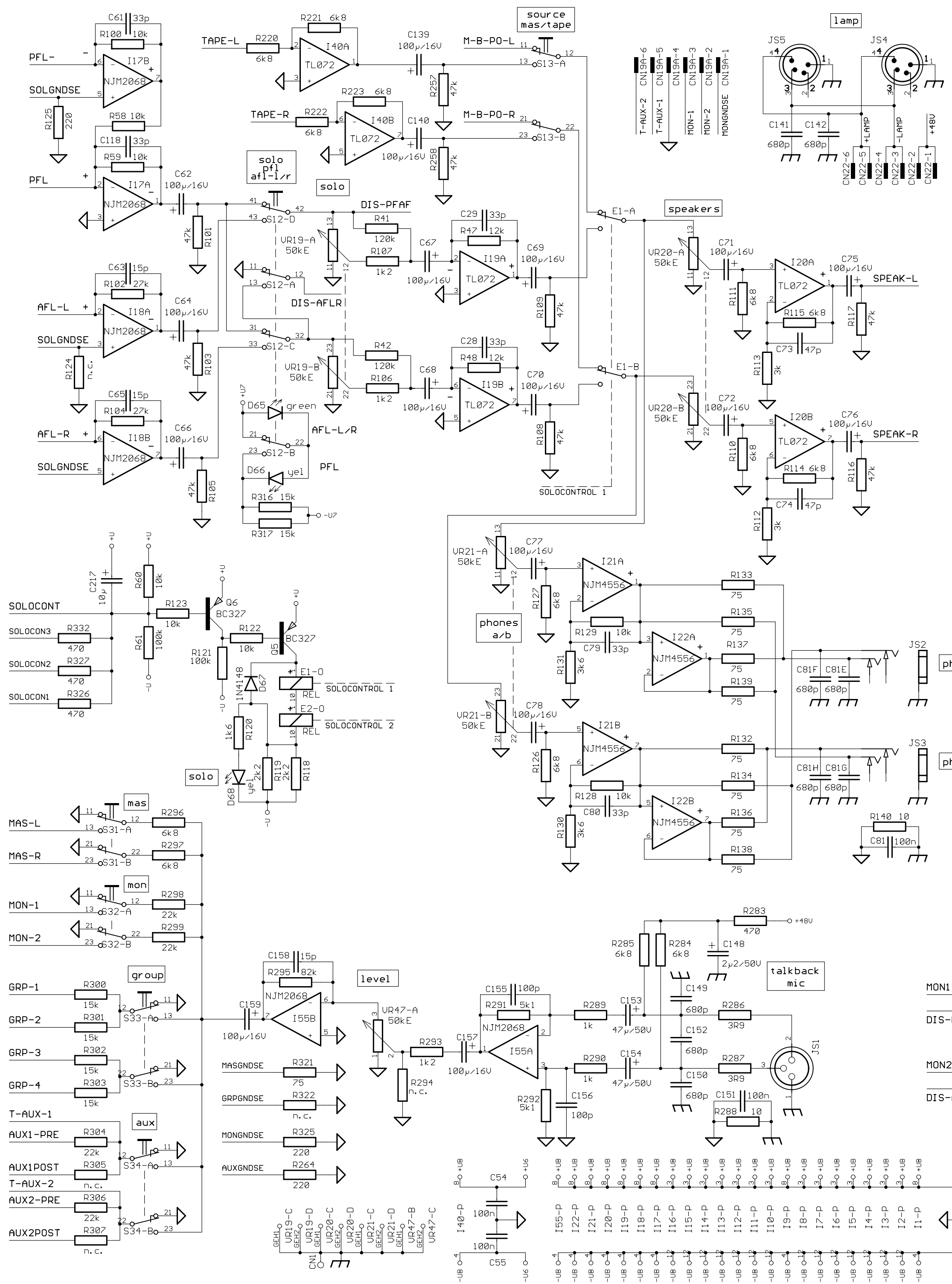


Master, Monitor, Tape and Solo



| ALTERATIONS RESERVED! | | | |
|-----------------------|----------|------------|--------|
| ISSUE | REVISION | DATE | NAME |
| | | 31.05.2001 | Stangl |
| | | 18.06.2001 | Stangl |
| | | 2008 | DATE |
| | | 12.09 | Stangl |
| | | | CHK'D |
| | | | APP'D |

| | | | |
|------------------------------------|--|---------------------|--|
| Last modified: 31.05.2001 09:05:26 | | 82230b stereo-input | |
| Last plotted: 18.06.2001 12:36:35 | | CIRCUIT DIAGRAM 1/5 | |
| MIDAS | | 357 418 | |
| MIDAS Venice | | 2- | |

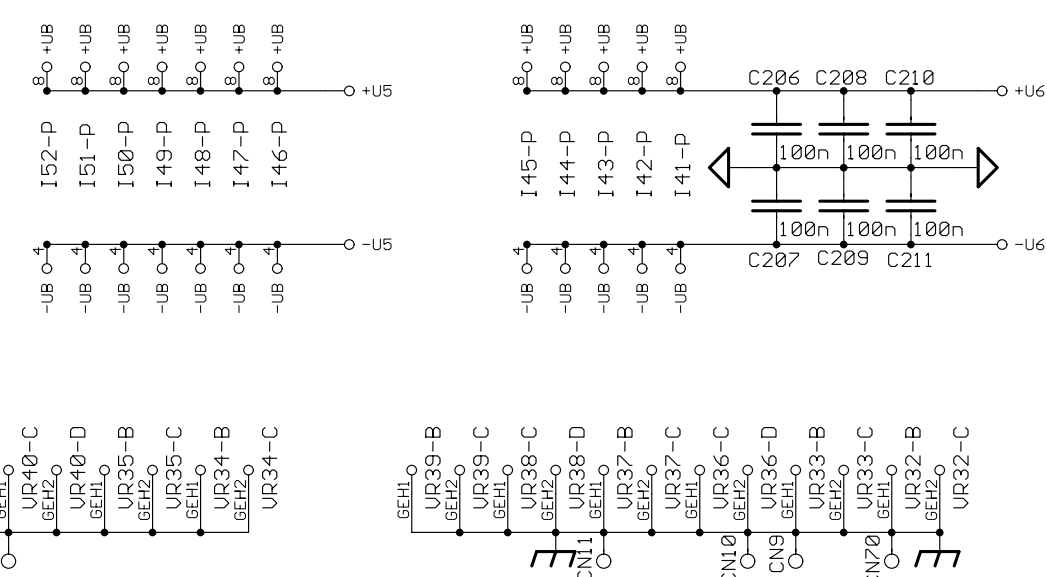
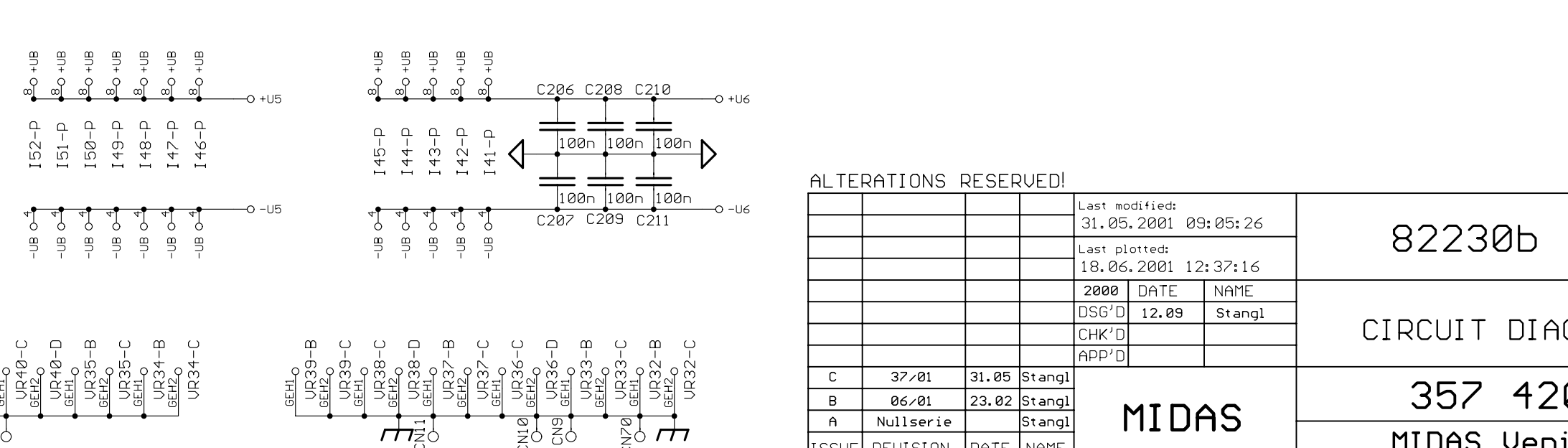
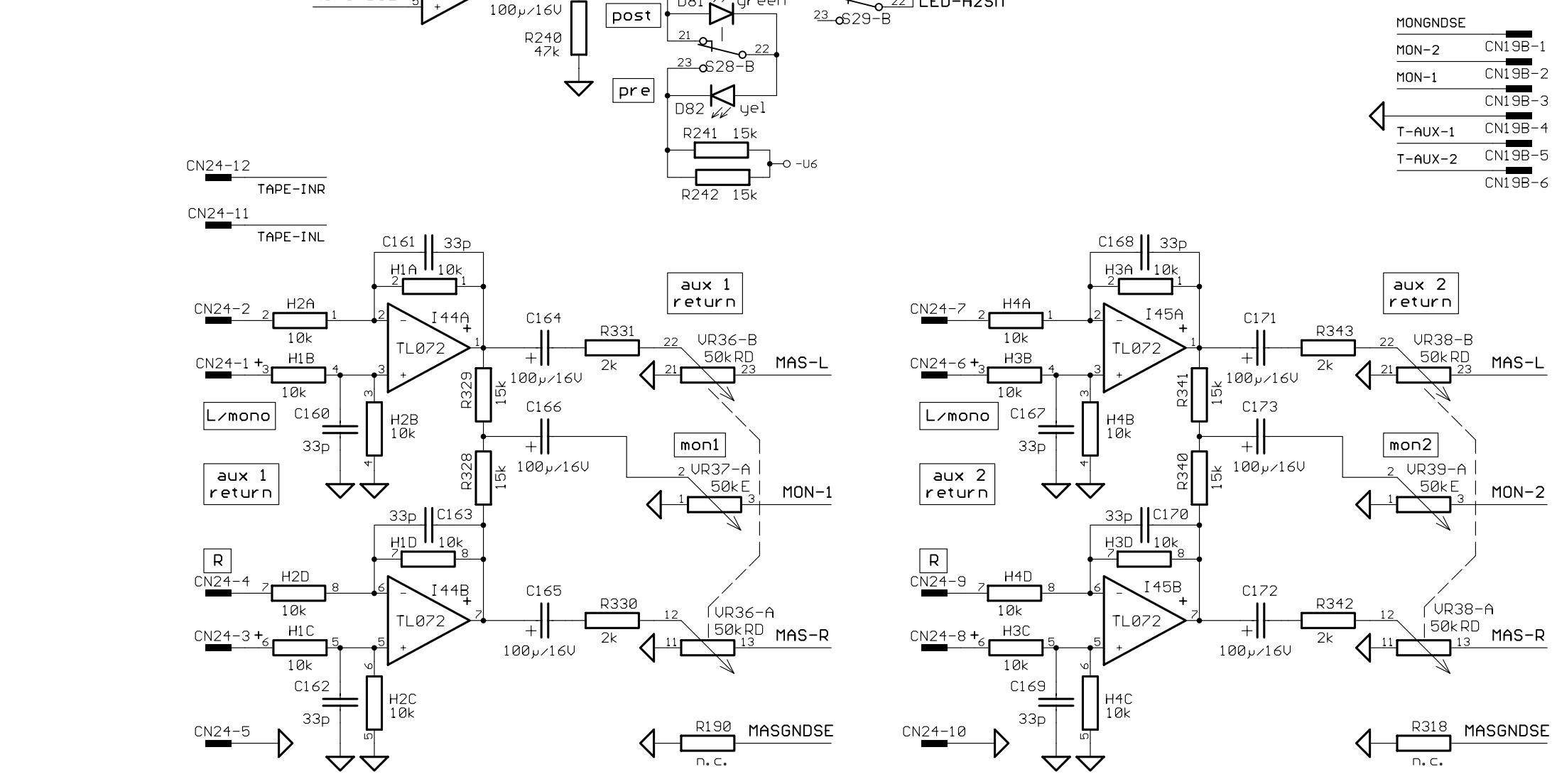
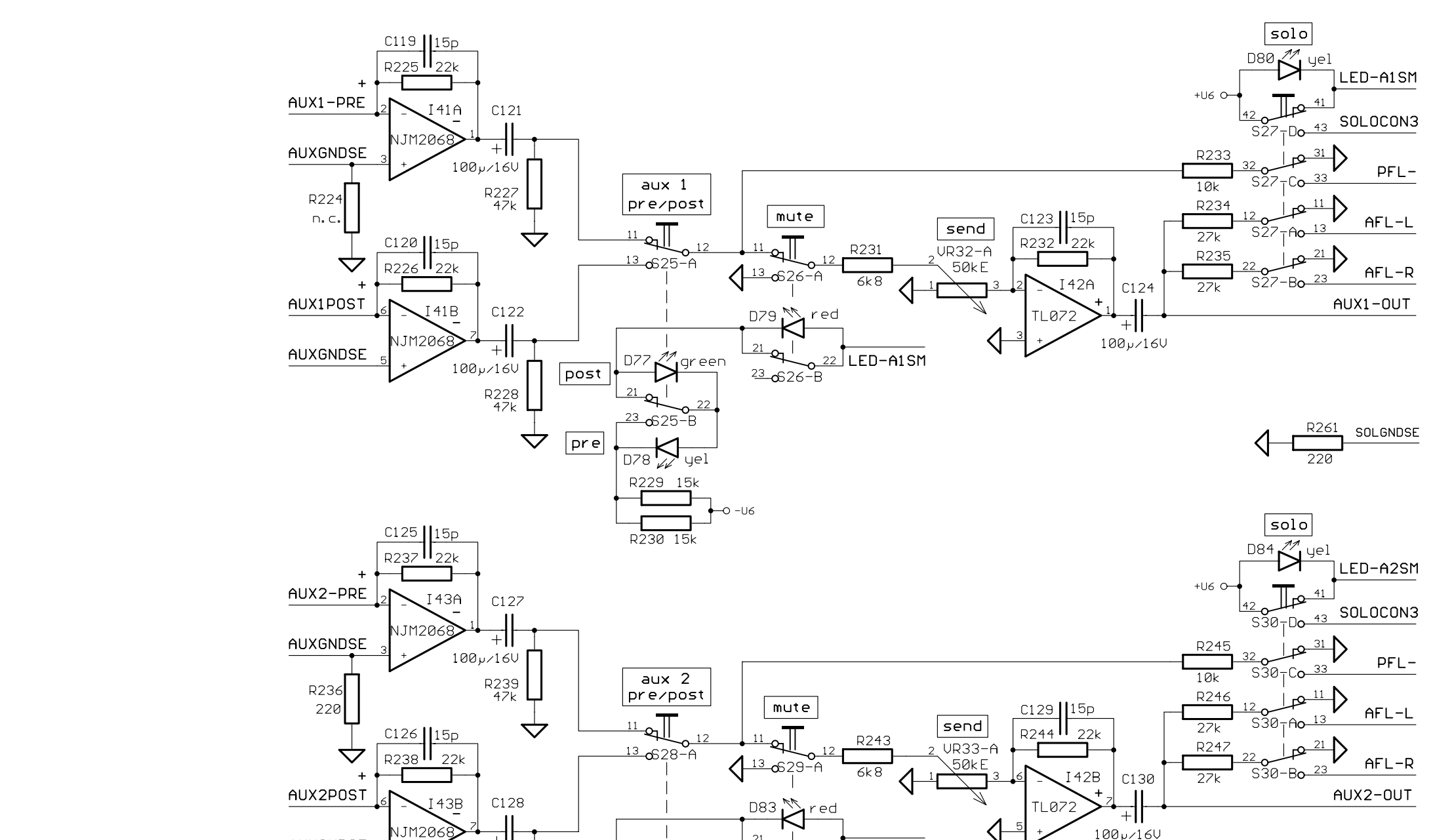
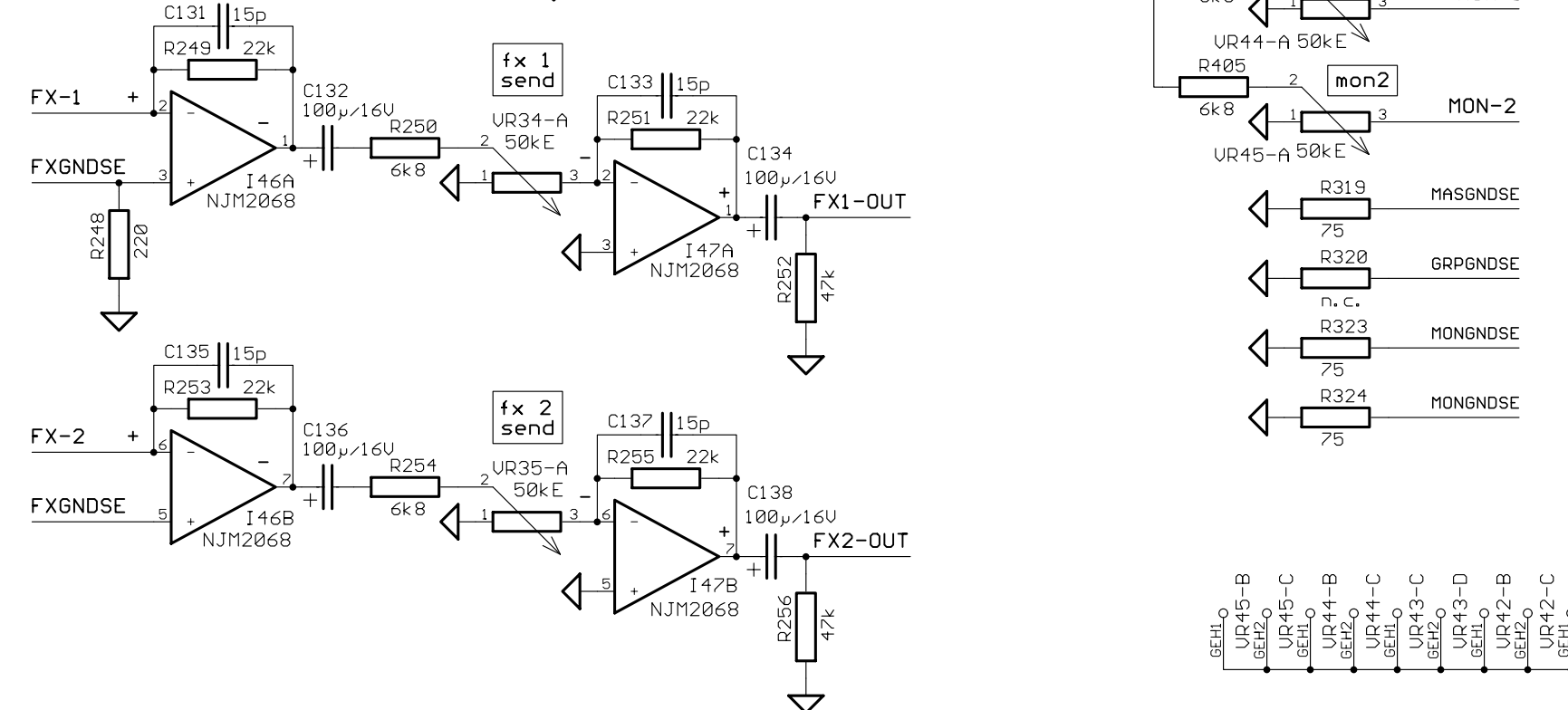
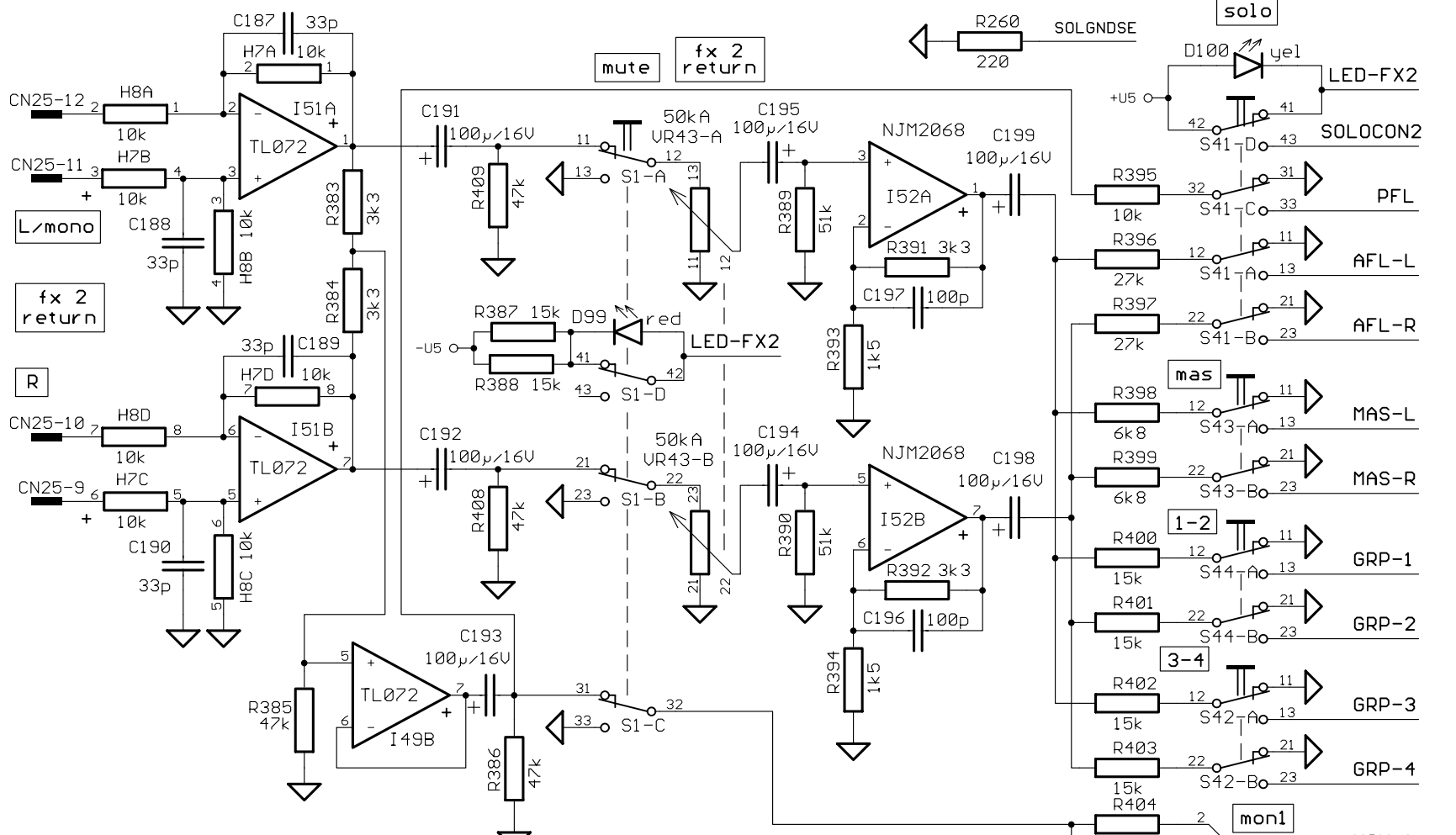
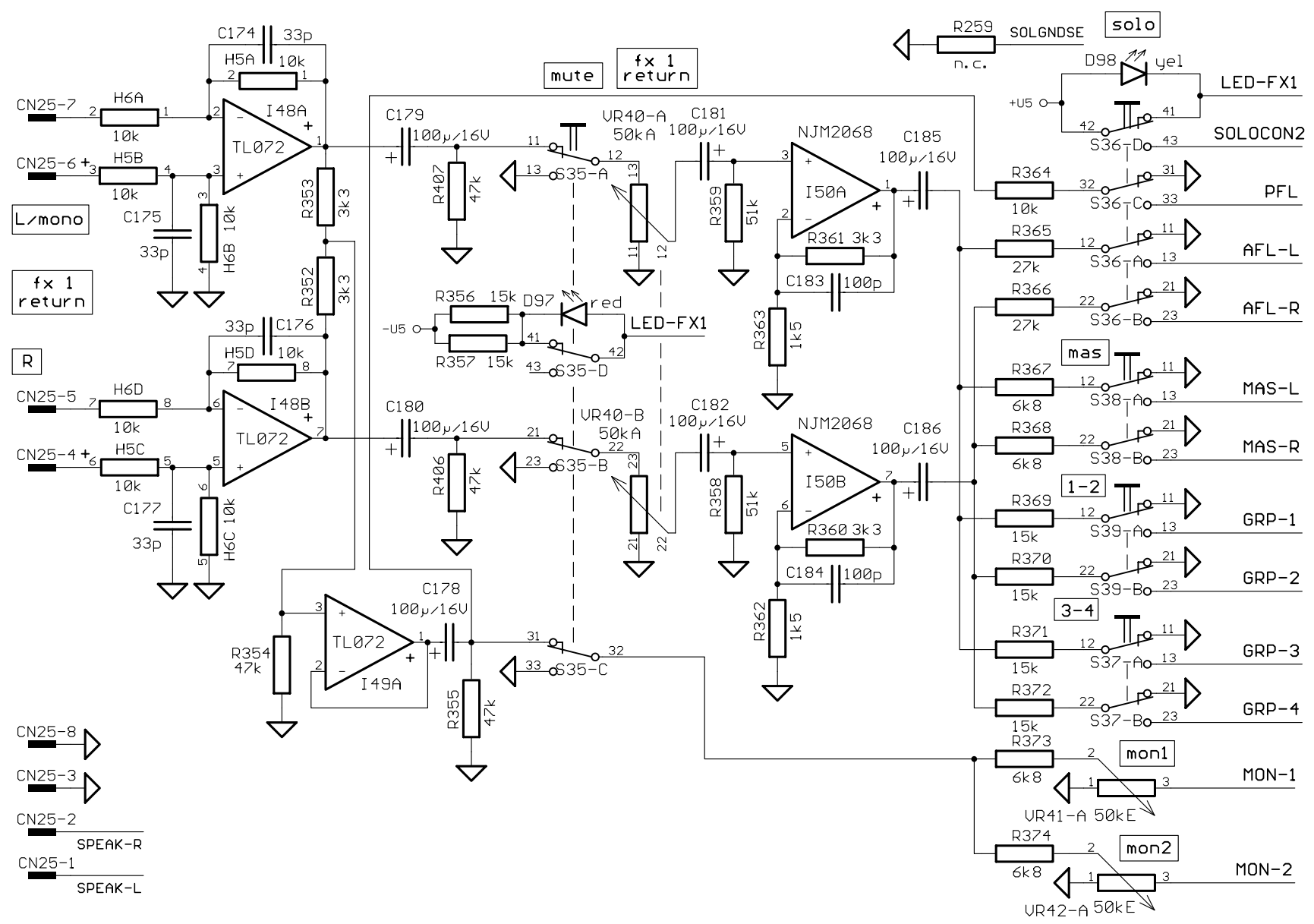


ALTERATIONS RESERVED!

| | | | |
|----------------|-------|---------------------|--|
| Last modified: | | 31.05.2001 09:05:26 | |
| Last plotted: | | 18.06.2001 12:36:58 | |
| 2000 | DATE | NAME | |
| D56'D | 12.09 | Stangl | |
| CHK'D | | | |
| APP'D | | | |

| | | | |
|-----------------|--|-----------------|--|
| level meter | | solo/pfl/af1 | |
| 82230b | | tackback/phones | |
| CIRCUIT DIAGRAM | | 2/5 | |
| 357 419 | | | |
| MIDAS Venice | | 3- | |

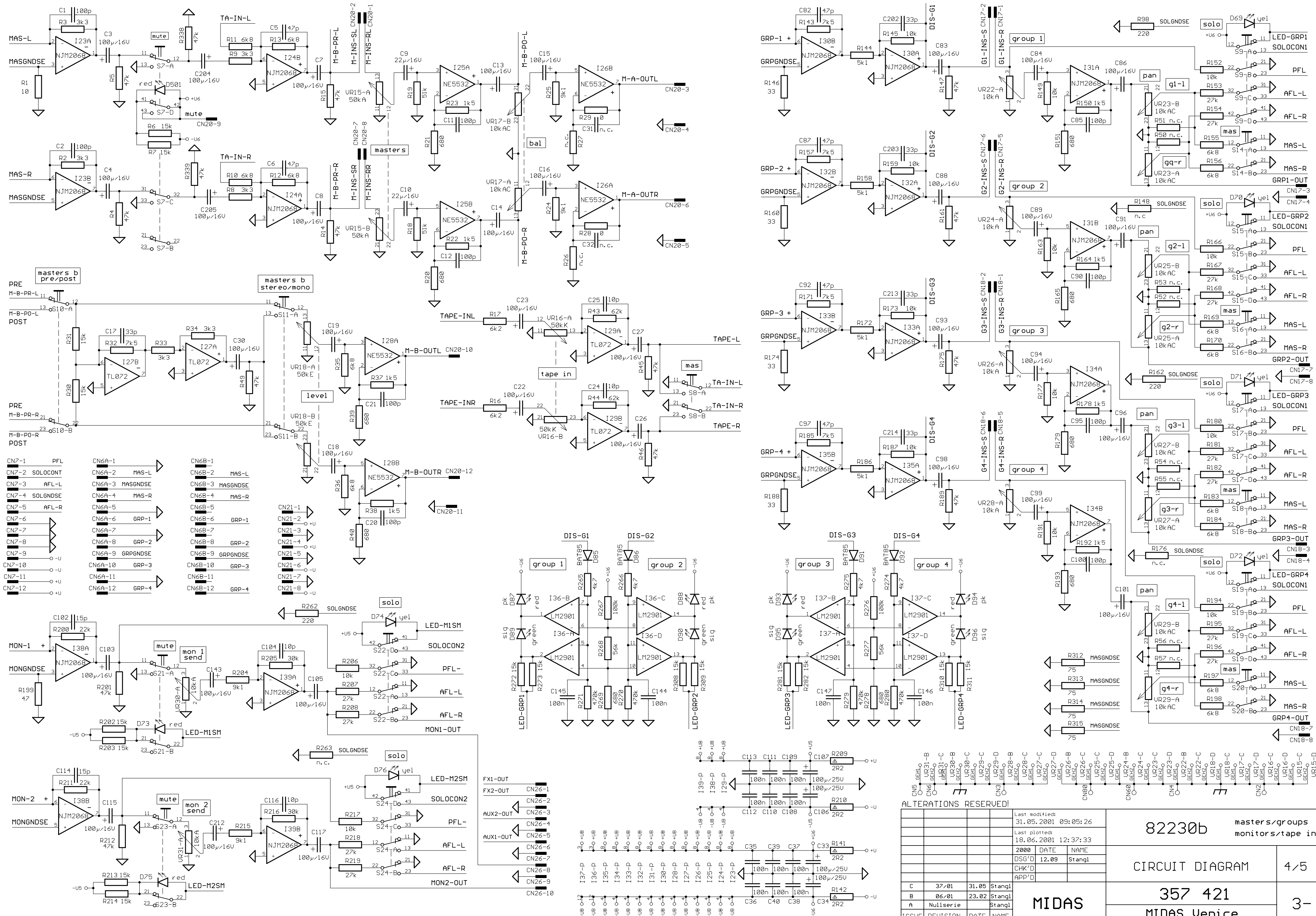
| | | | |
|-------|-----------|-------|--------|
| C | 37/01 | 31.05 | Stangl |
| B | 06/01 | 23.02 | Stangl |
| A | Nullserie | | Stangl |
| ISSUE | REVISION | DATE | NAME |



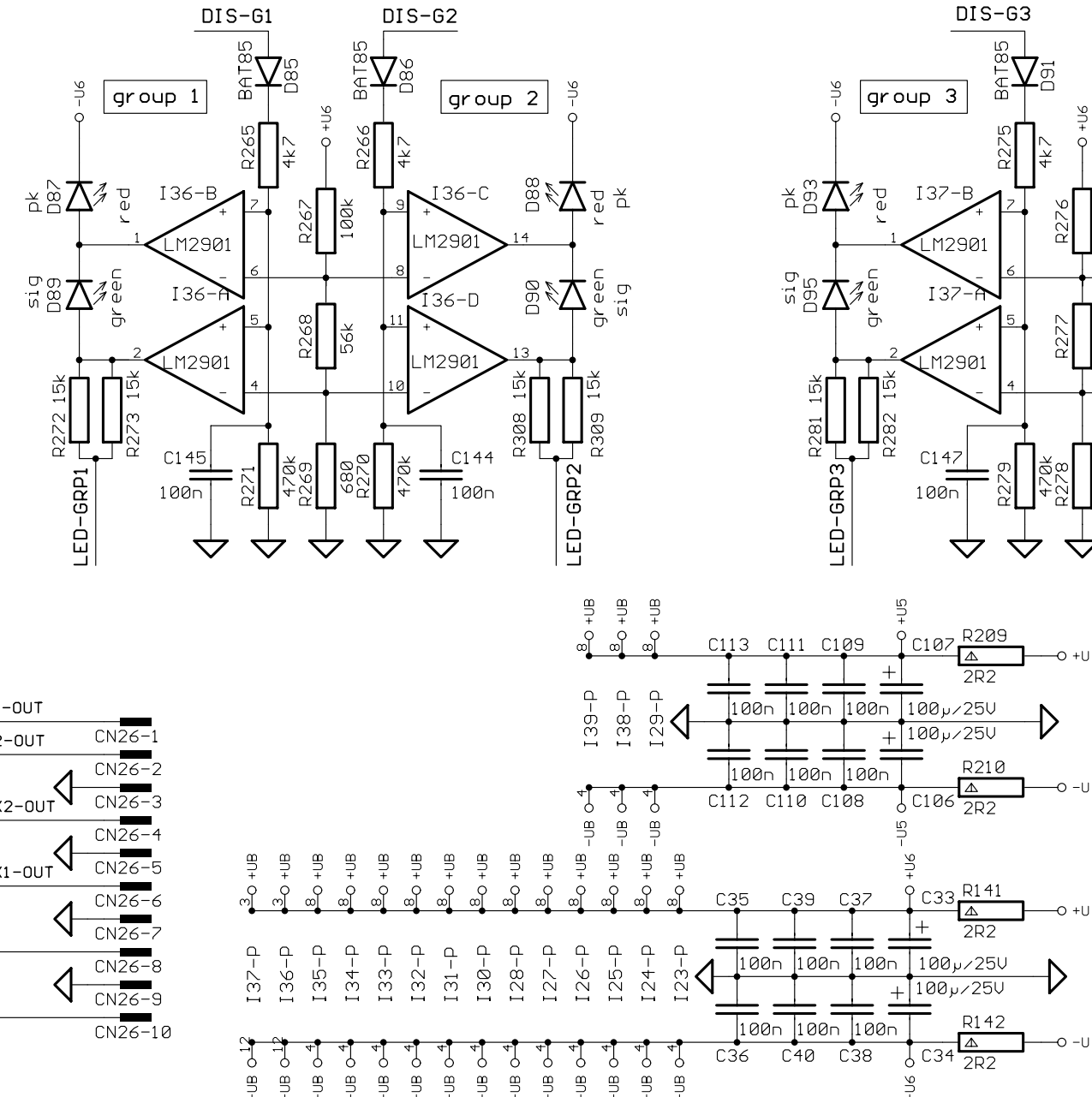
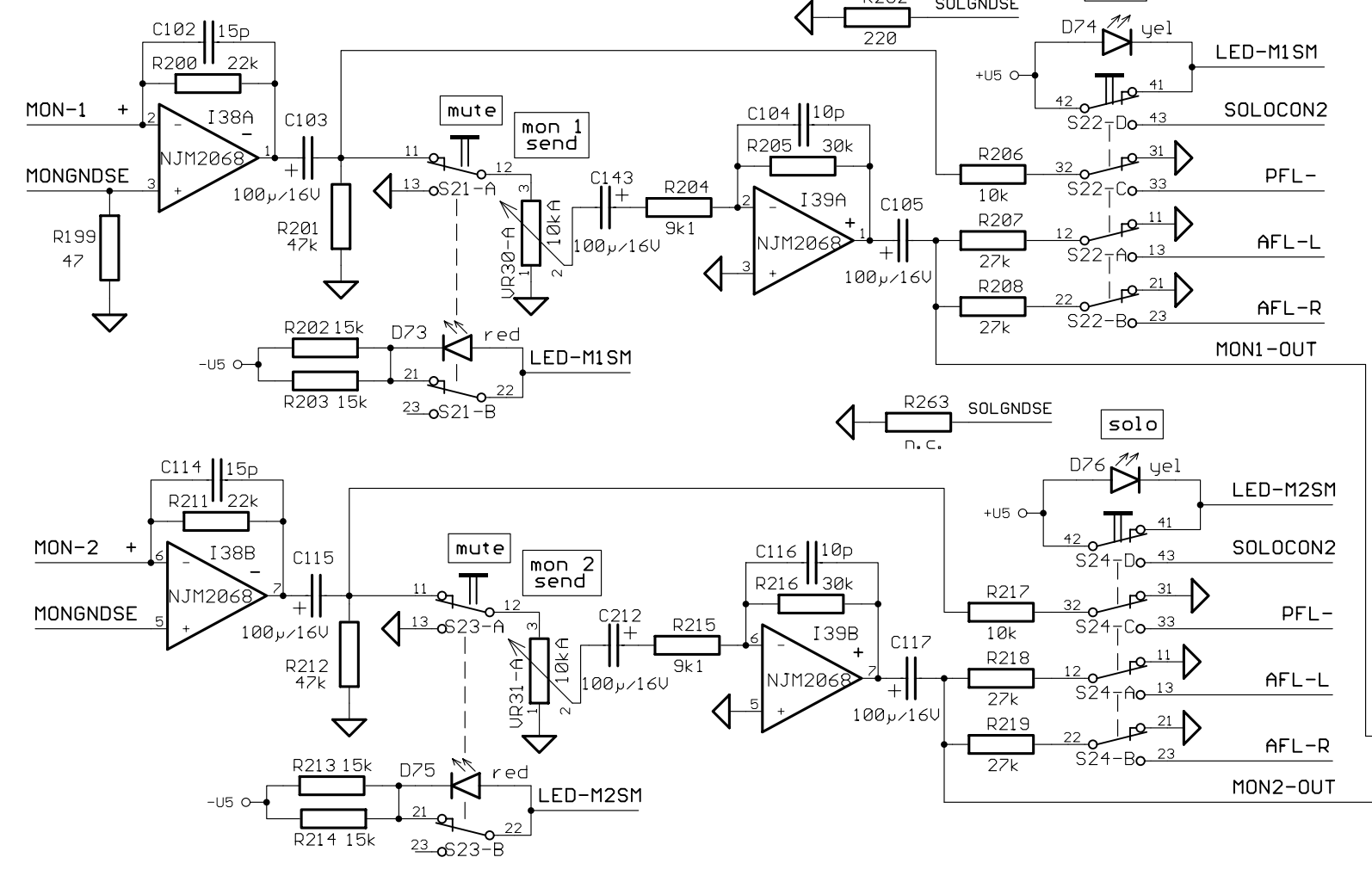
ALTERATIONS RESERVED!

| | | | |
|----------------|-------|---------------------|--|
| Last modified: | | 31.05.2001 09:05:26 | |
| Last plotted: | | 18.06.2001 12:37:16 | |
| 2000 | DATE | NAME | |
| DSG'D | 12.09 | Stangl | |
| CHK'D | | | |
| APP'D | | | |

| | |
|-----------------|-----|
| 82230b fx / aux | |
| CIRCUIT DIAGRAM | 3/5 |
| 357 420 | |
| MIDAS Venice | 3- |



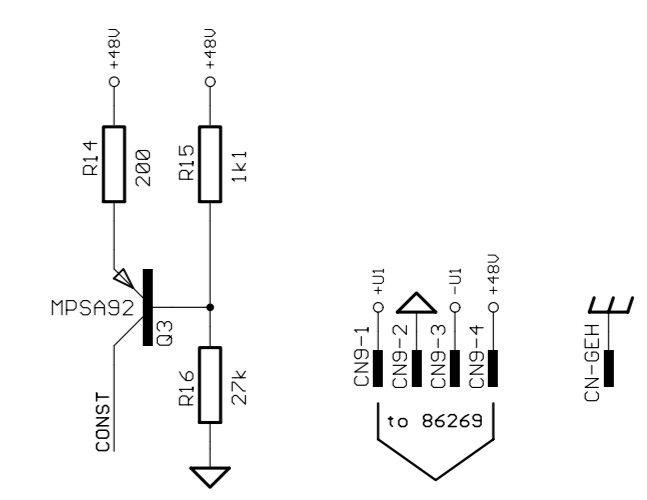
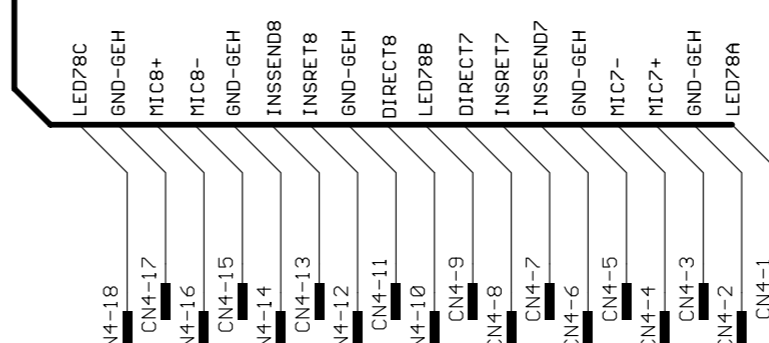
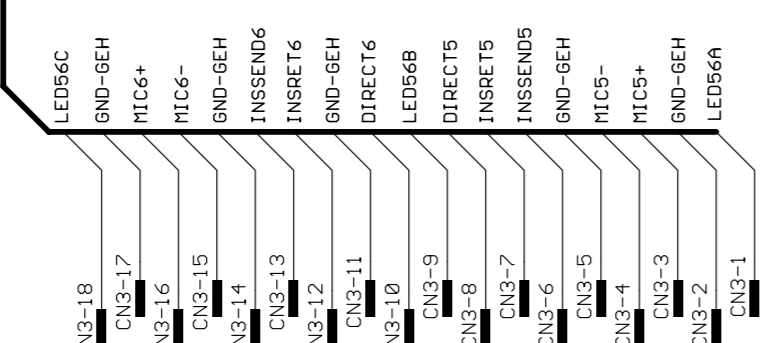
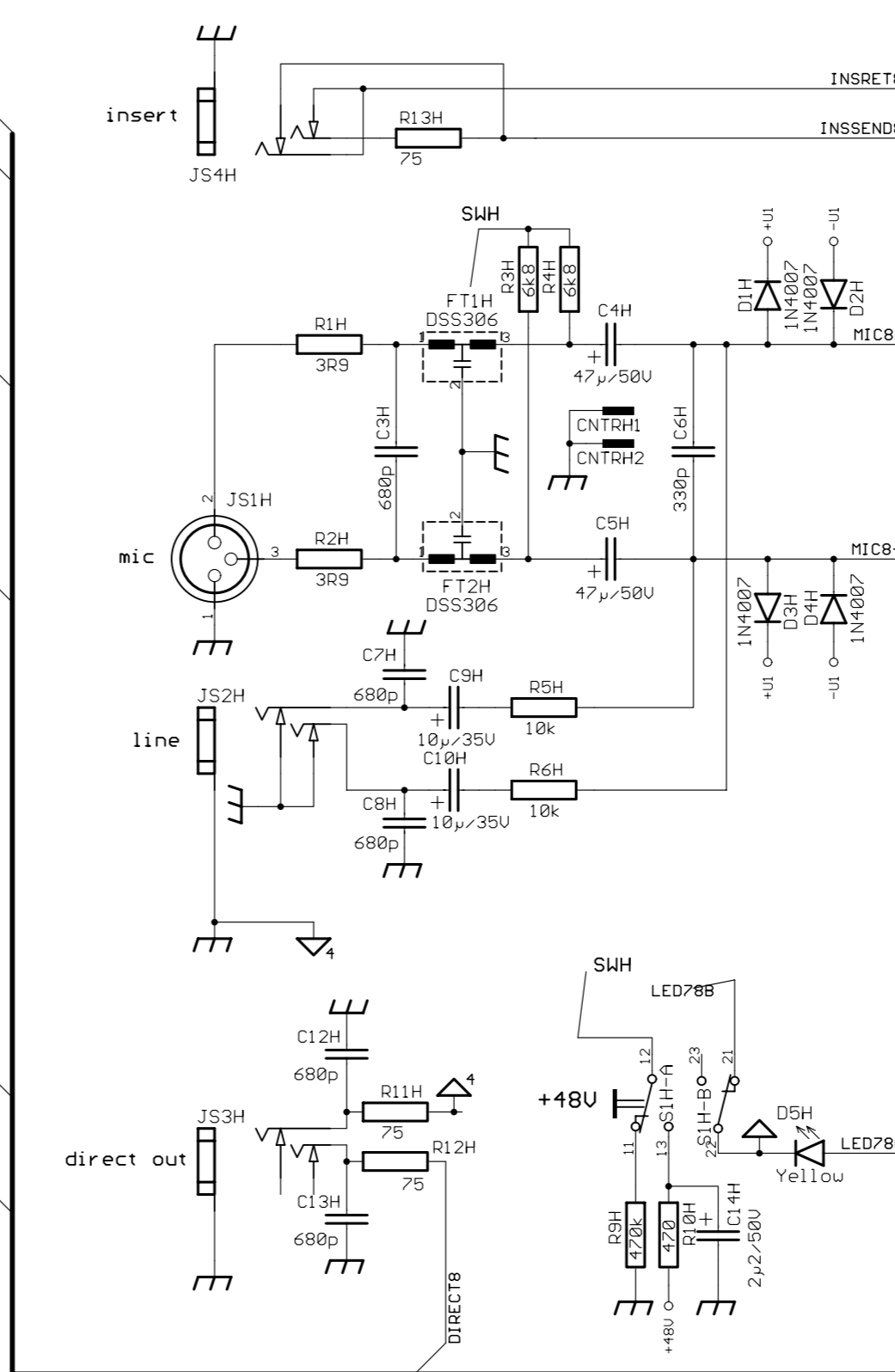
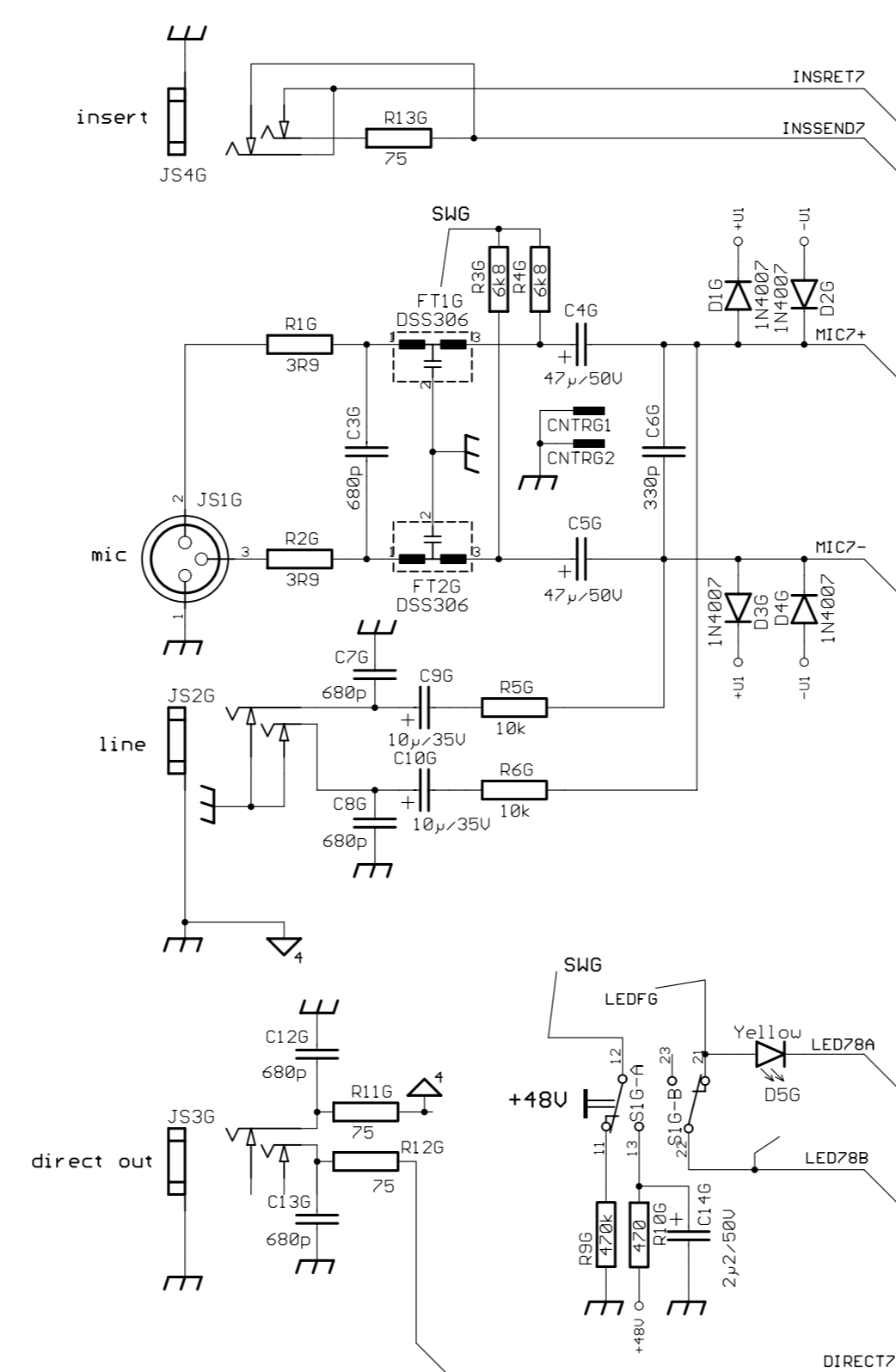
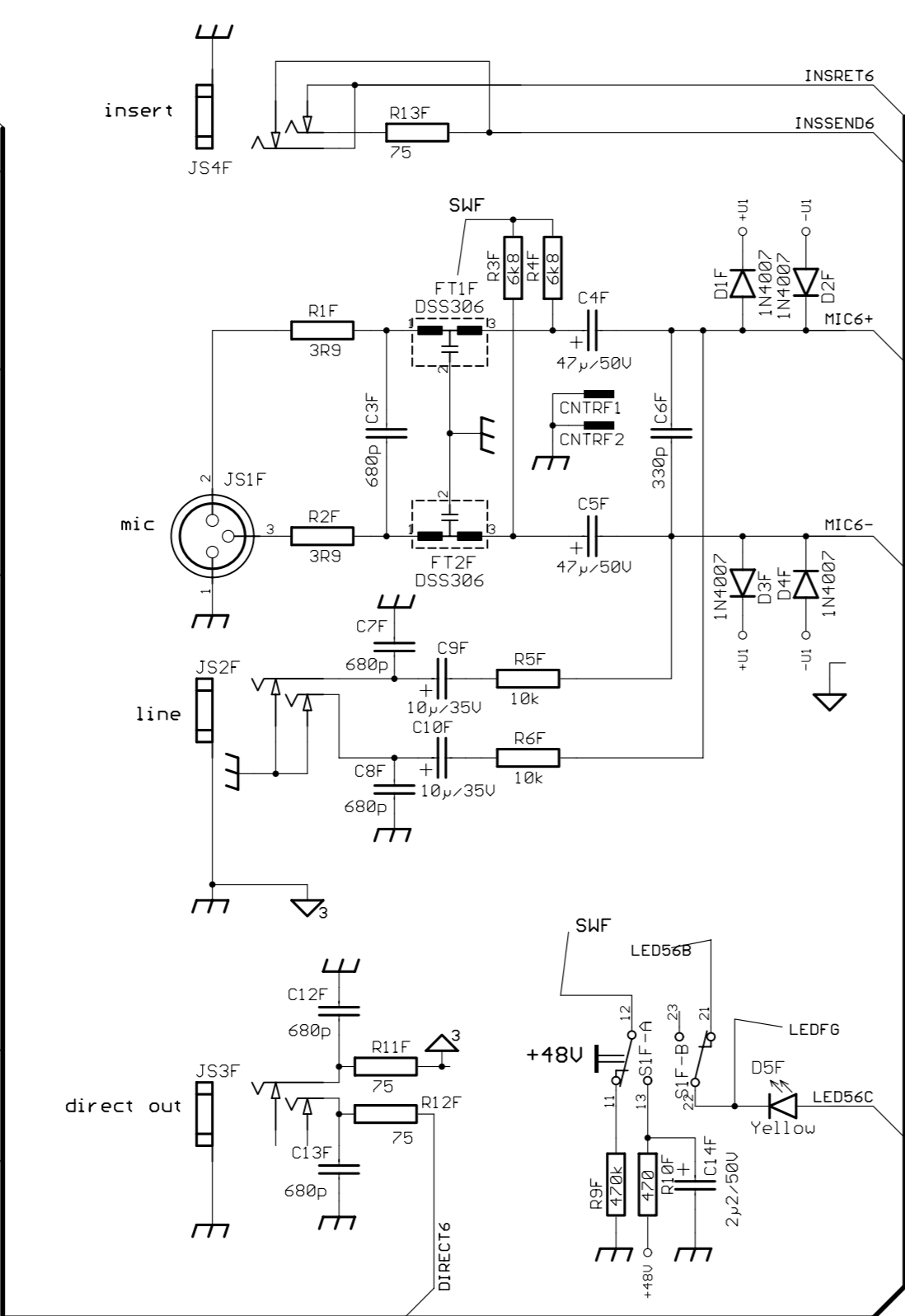
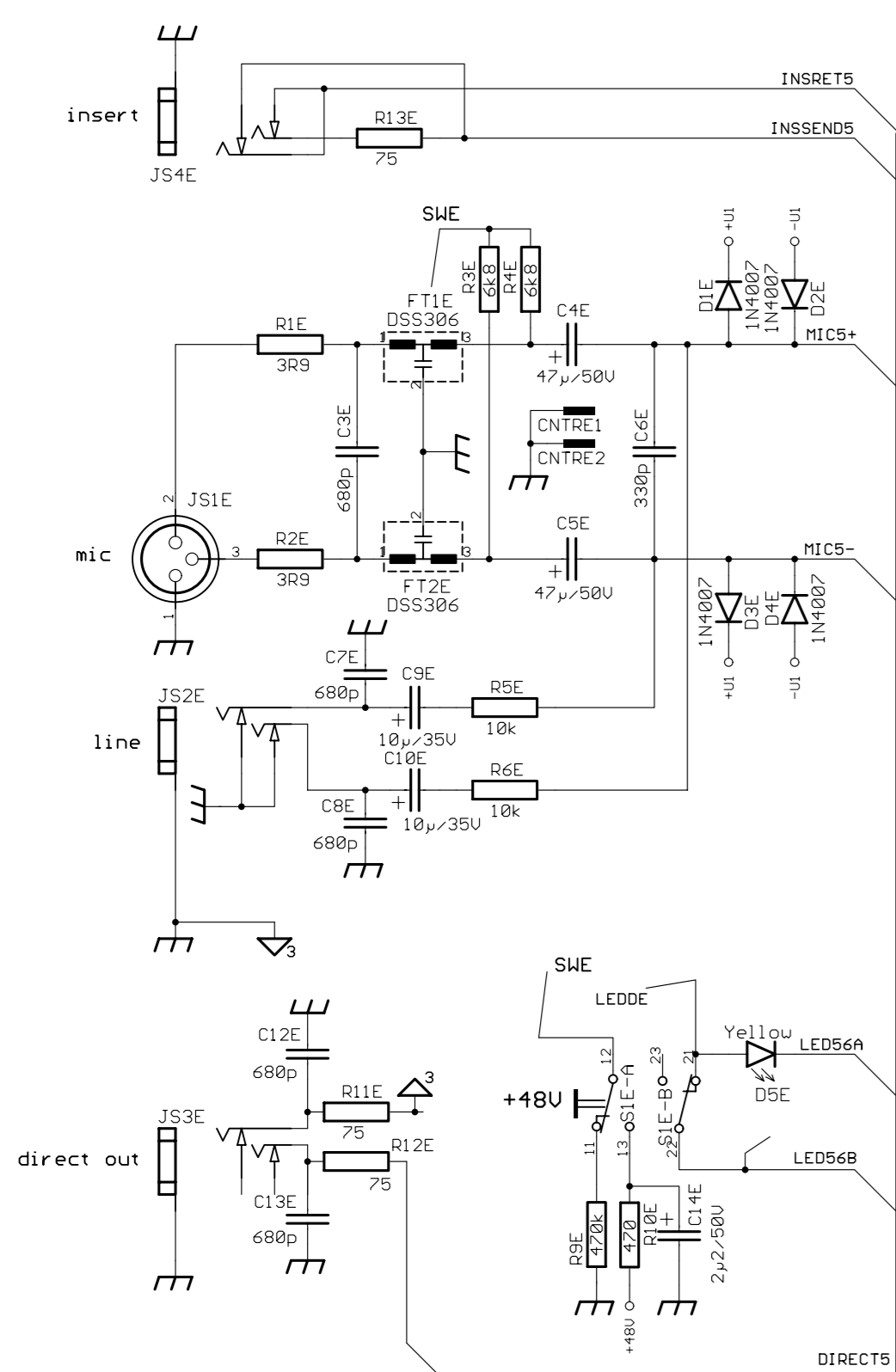
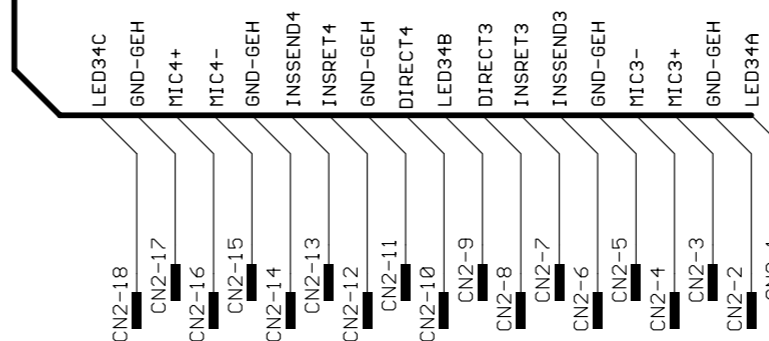
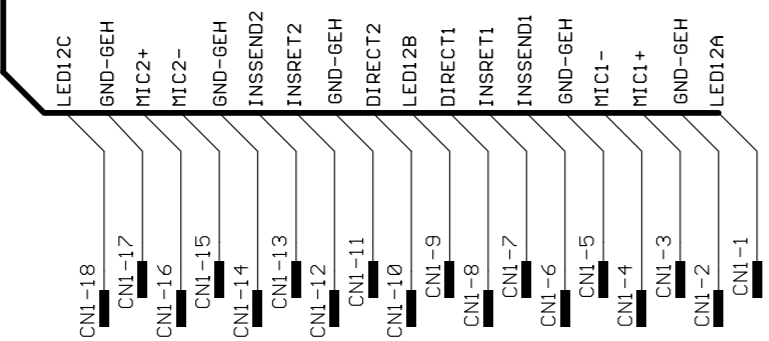
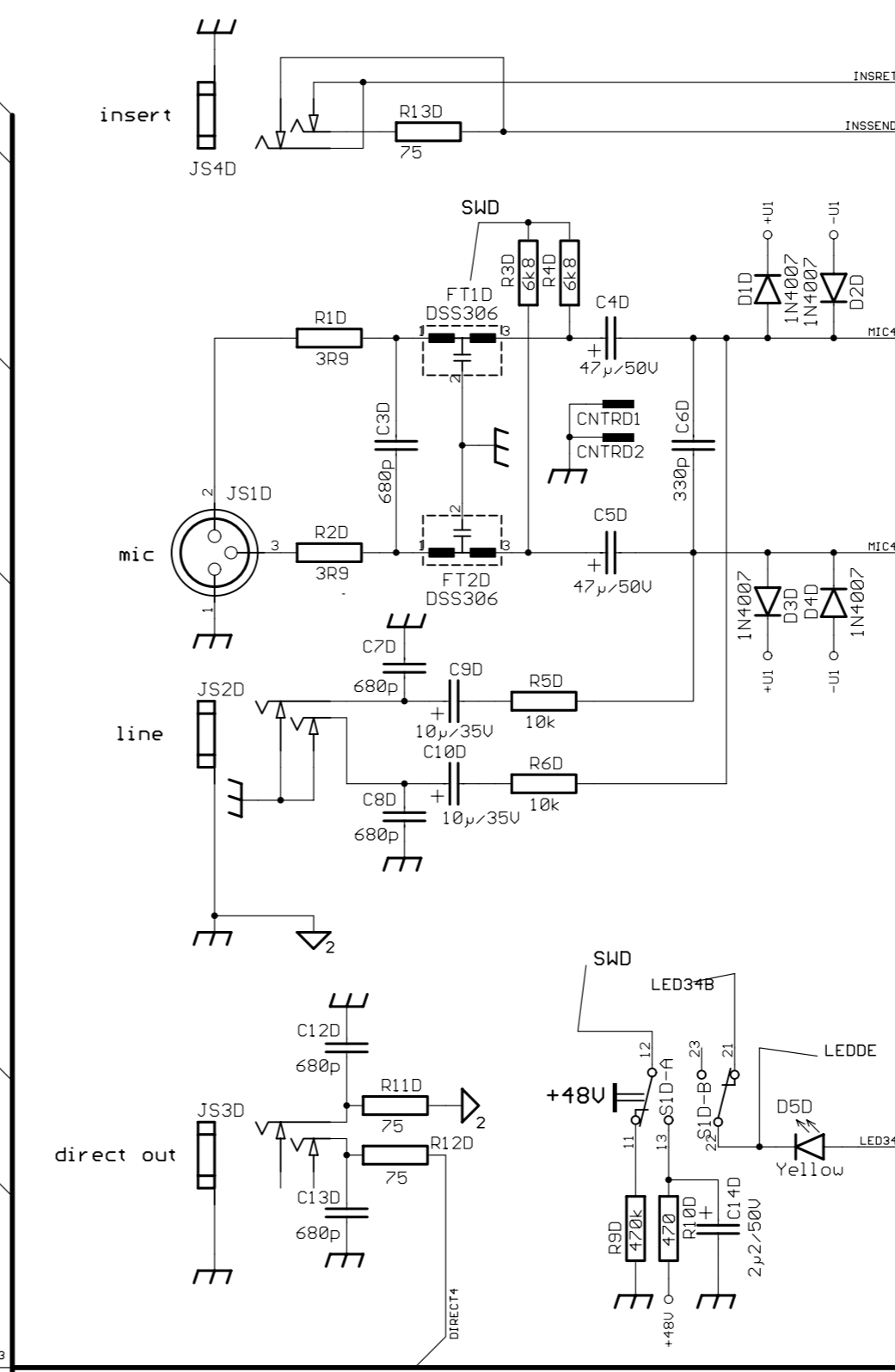
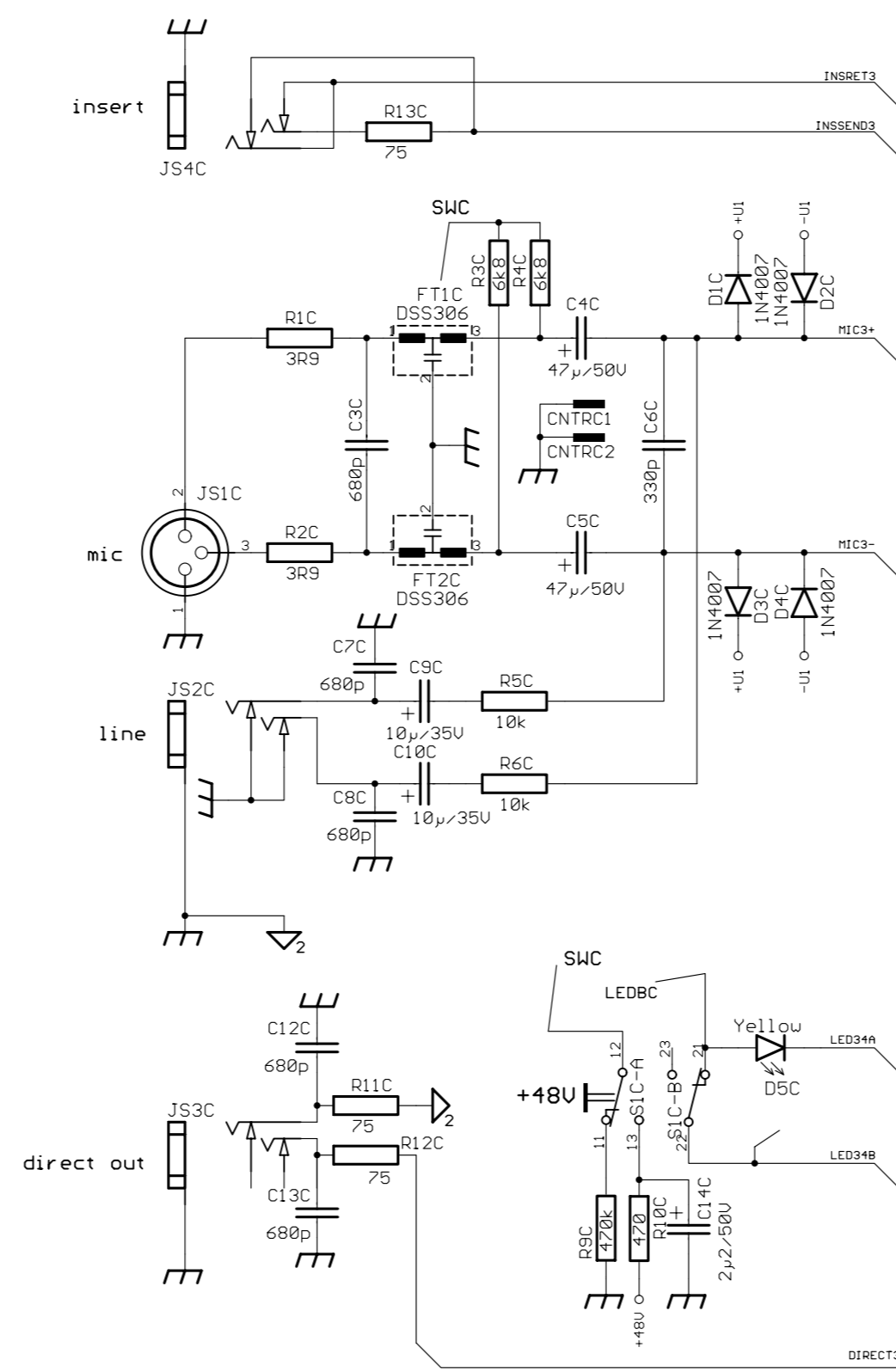
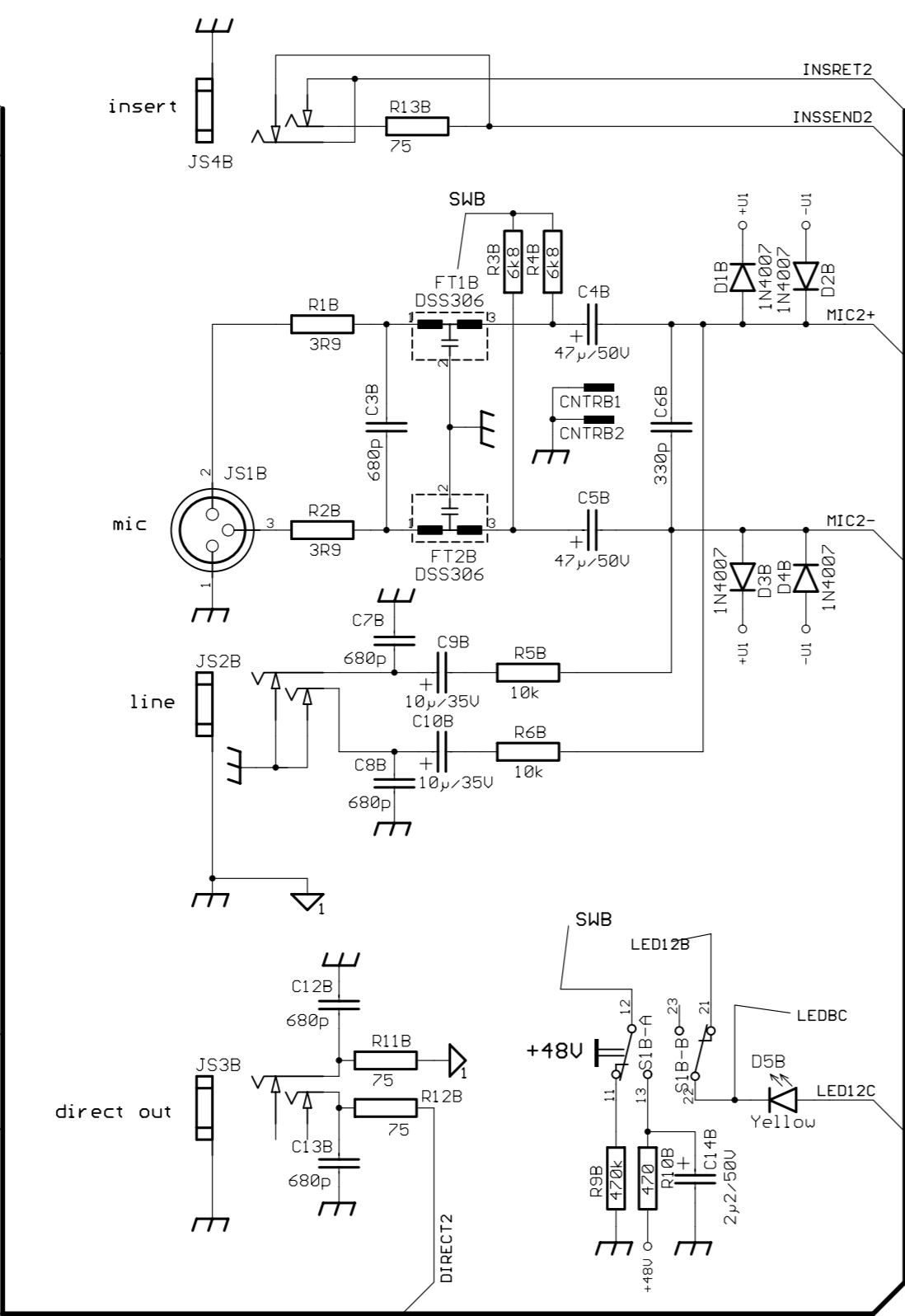
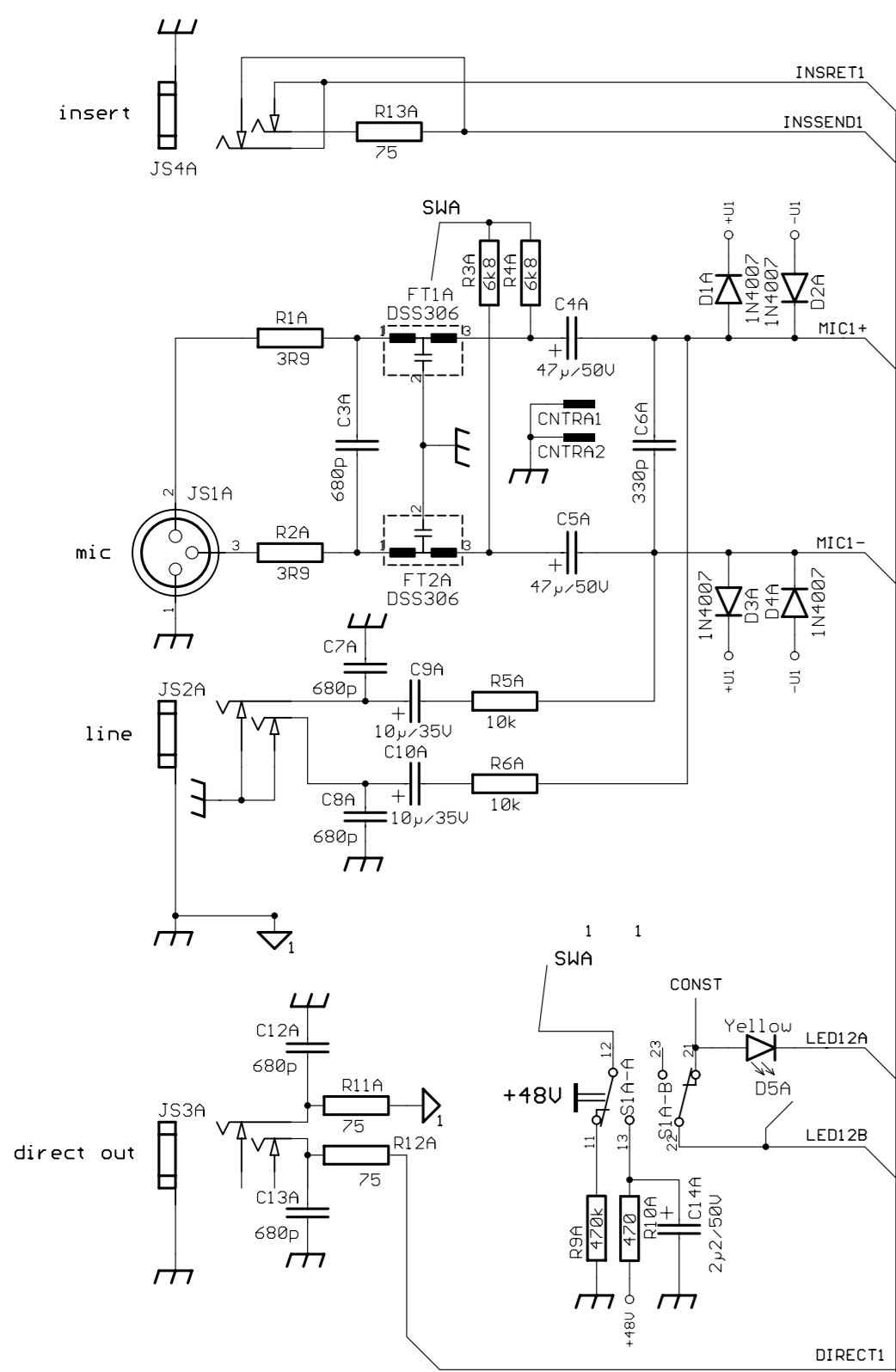
- CN7-1 PFL
 - CN7-2 SOLOCONT
 - CN7-3 AFL-L
 - CN7-4 SOLGNDSE
 - CN7-5 AFL-R
 - CN7-6
 - CN7-7
 - CN7-8
 - CN7-9
 - CN7-10
 - CN7-11
 - CN7-12
- CN6A-1 MAS-L
 - CN6A-2 MASNDSE
 - CN6A-3 MAS-R
 - CN6A-4 MASNDSE
 - CN6A-5
 - CN6A-6 GRP-1
 - CN6A-7
 - CN6A-8 GRP-2
 - CN6A-9 GRPNDSE
 - CN6A-10 GRP-3
 - CN6A-11
 - CN6A-12 GRP-4
- CN6B-1 MAS-L
 - CN6B-2 MASNDSE
 - CN6B-3 MAS-R
 - CN6B-4 MASNDSE
 - CN6B-5
 - CN6B-6 GRP-1
 - CN6B-7
 - CN6B-8 GRP-2
 - CN6B-9 GRPNDSE
 - CN6B-10 GRP-3
 - CN6B-11
 - CN6B-12 GRP-4
- CN21-1
 - CN21-2
 - CN21-3
 - CN21-4
 - CN21-5
 - CN21-6
 - CN21-7
 - CN21-8



ALTERATIONS RESERVED!

| | | | |
|-------|-----------|-------|--------|
| C | 37/01 | 31.05 | Stangl |
| B | 06/01 | 23.02 | Stangl |
| A | Nullserie | | Stangl |
| ISSUE | REVISION | DATE | NAME |

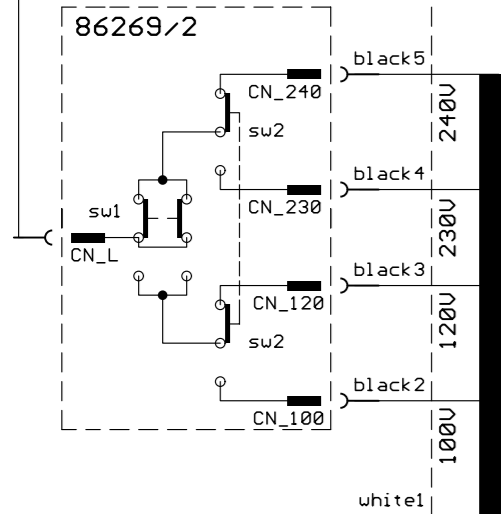
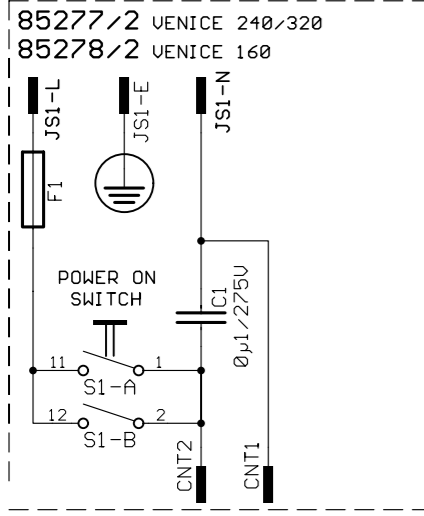
| | | |
|-----------------|-------|------------------------------------|
| Last modified: | | 31.05.2001 09:05:26 |
| Last plotted: | | 18.06.2001 12:37:33 |
| 2000 | DATE | NAME |
| DSG'D | 12.09 | Stangl |
| CHK'D | | |
| APP'D | | |
| 82230b | | masters/groups monitors/tape in |
| CIRCUIT DIAGRAM | | 4/5 |
| 357 421 | | 3- |
| MIDAS | | |
| MIDAS Venice | | |



| ALTERATIONS RESERVED! | | | |
|-----------------------|----------|-------|--------|
| REV | DATE | NAME | APP'D |
| D | 28.01 | 83.84 | HSa |
| C | 28.01 | 12.83 | Stangl |
| B | 08.01 | 16.82 | Stangl |
| A | Miuserie | 27.01 | HSa |
| ISSUE | REVISION | DATE | NAME |

| | | | |
|------------------------------------|--|---------------------------------------|--|
| Last modified: 30.05.2001 15:03:46 | | 86270D extension connector pcb | |
| Last plotted: 18.06.2001 13:54:10 | | | |
| DSG'D 11.00 | | CIRCUIT DIAGRAM 1/1 | |
| CHK'D Schuhb. | | | |
| MIDAS | | 357 426 | |
| MIDAS Venice | | 2- | |

| | | |
|------------|---------------|--------------|
| F1 | 100U-120U | 220U-240U |
| VENICE 160 | T3.15A/L/250U | T1.6A/L/250U |
| VENICE 240 | T3.15A/L/250U | T1.6A/L/250U |
| VENICE 320 | T3.15A/L/250U | T1.6A/L/250U |

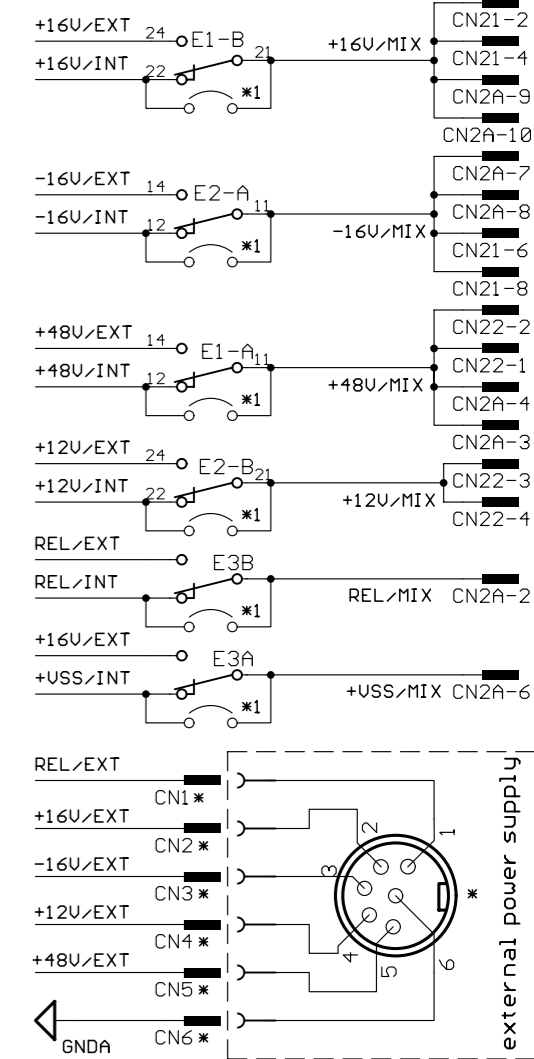
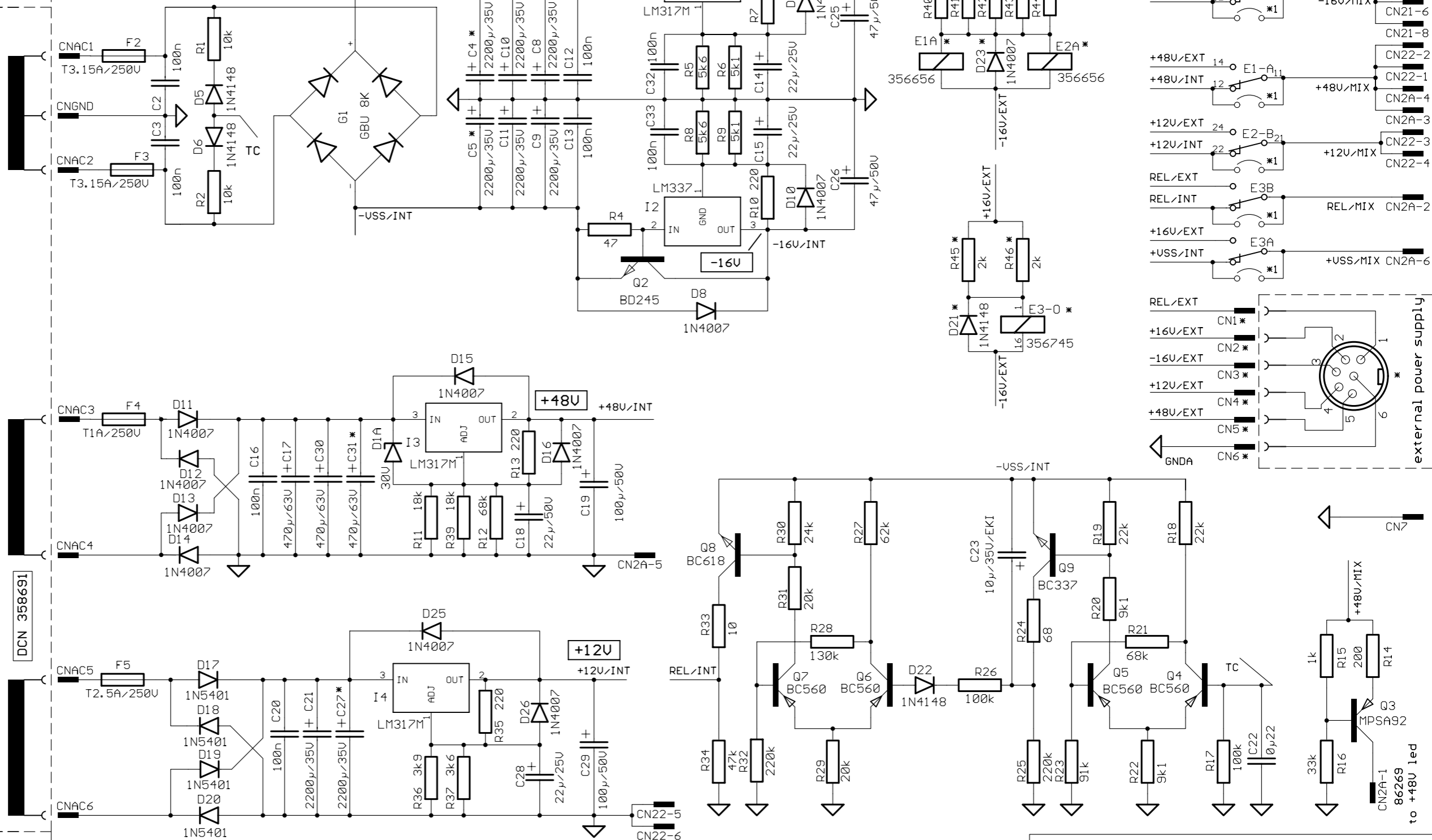


85277 VENICE 240/320
85278 VENICE 160

| | | |
|---------|--------|-------|
| * | 85277 | 85278 |
| CN1-CN6 | 343516 | n. c. |
| D21 | 1N4148 | n. c. |
| D23 | 1N4007 | n. c. |
| E1 / E2 | 356656 | n. c. |
| E3 | 356745 | n. c. |
| R40-R44 | 1k0hm | n. c. |
| R45-R46 | 2k0hm | n. c. |
| C27 | 2200μ | n. c. |
| C31 | 470μ | n. c. |

*1 only at 85278

85277/1 VENICE 240/320
85278/1 VENICE 160



ALTERATIONS RESERVED!

| | | | | |
|-------|-----------|-------|--------|---------------------------------------|
| | | | | Last modified: 31.05.2001 07:39:10 |
| | | | | Last plotted: 18.06.2001 13:51:09 |
| | | | | 2000 DATE NAME |
| | | | | DSG'D 11.00 Schuhb. |
| | | | | CHK'D |
| | | | | APP'D |
| C | 24/03 | 27.03 | Stangl | |
| B | 09/01 | 14.02 | Stangl | |
| A | Nullserie | 31.01 | Stangl | |
| ISSUE | REVISION | DATE | NAME | |

MIDAS

power supply / mains

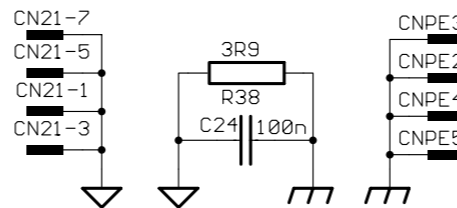
85277C 85278

BLOCK DIAGRAM

357 412

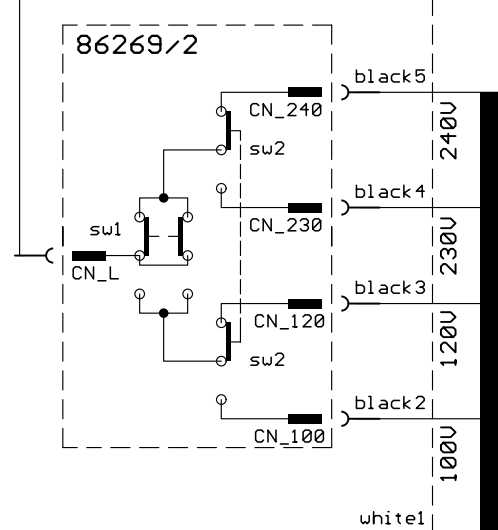
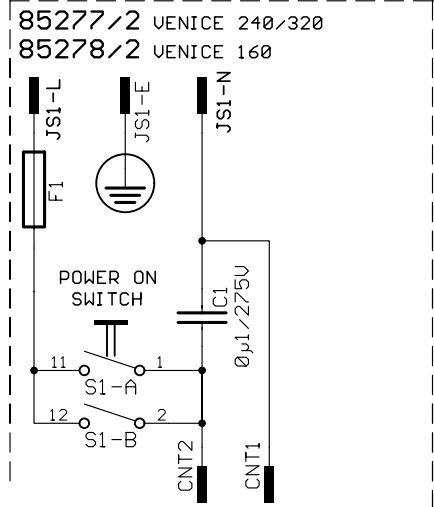
MIDAS Venice

4-



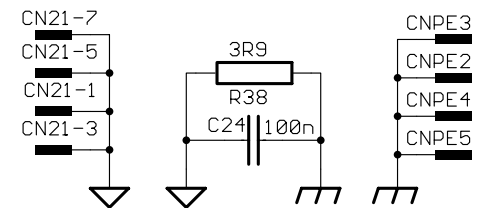
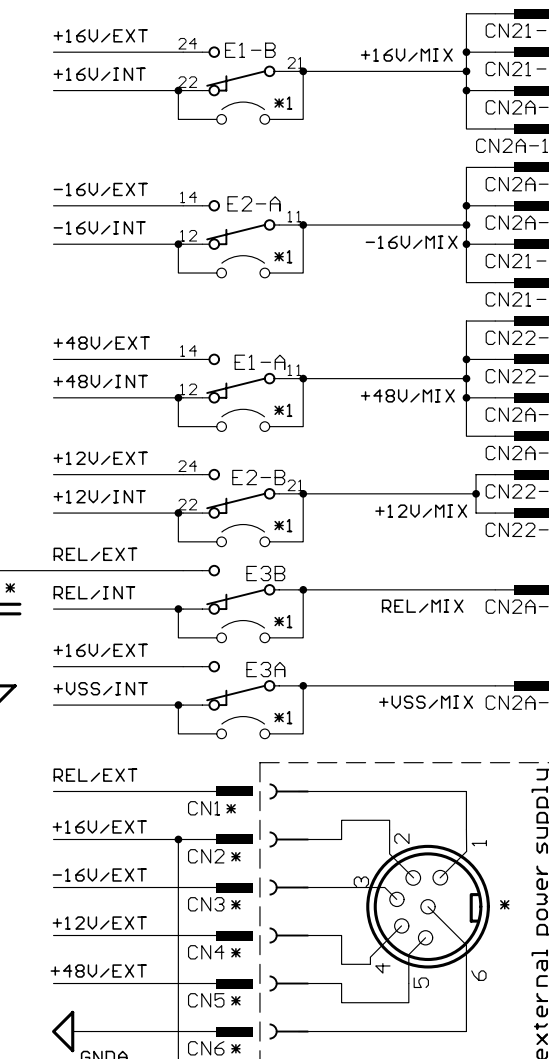
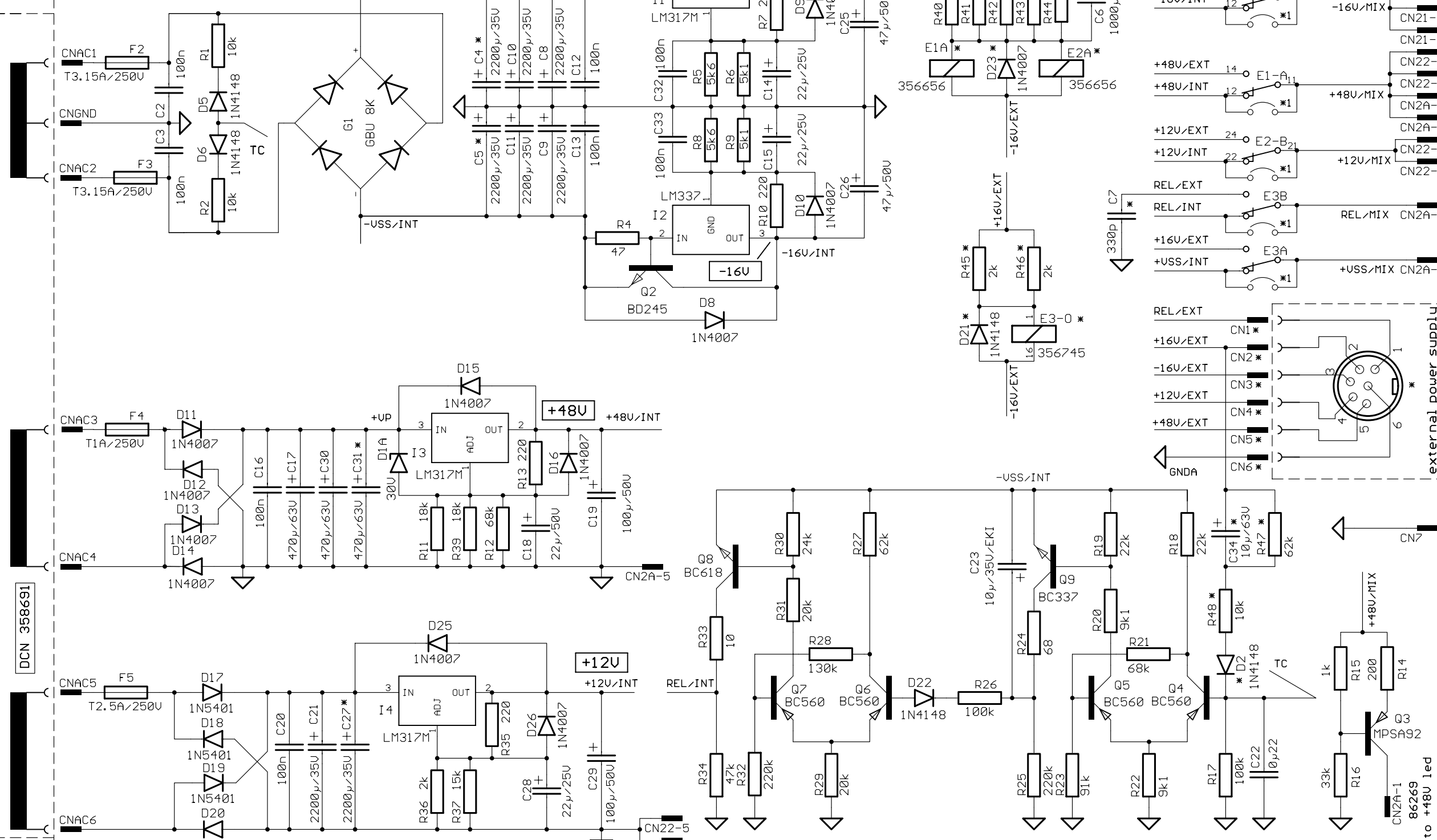
| | | |
|------------|---------------|--------------|
| F1 | 100U-120U | 220U-240U |
| VENICE 160 | T3.15A/L/250U | T1.6A/L/250U |
| VENICE 240 | T3.15A/L/250U | T1.6A/L/250U |
| VENICE 320 | T3.15A/L/250U | T1.6A/L/250U |

85277/1 VENICE 240/320
85278/1 VENICE 160



85277 VENICE 240/320
85278 VENICE 160
*1 only at 85278

| * | 85277 | 85278 |
|----------|--------|-------|
| CN1-CN6 | 343516 | n. c. |
| D2 / D21 | 1N4148 | n. c. |
| D23 | 1N4007 | n. c. |
| E1 / E2 | 356656 | n. c. |
| E3 | 356745 | n. c. |
| R40-R44 | 1k0hm | n. c. |
| R45-R46 | 2k0hm | n. c. |
| R47 | 62k0hm | n. c. |
| R48 | 10k0hm | n. c. |
| C6 | 1000µ | n. c. |
| C7 | 330p | n. c. |
| C27 | 2200µ | n. c. |
| C31 | 470µ | n. c. |
| C34 | 10µ | n. c. |



ALTERATIONS RESERVED!

| ISSUE | REVISION | DATE | NAME |
|-------|-----------|-------|--------|
| D | 57/01 | 27.07 | Stangl |
| C | 24/03 | 27.03 | Stangl |
| B | 09/01 | 14.02 | Stangl |
| A | Nullserie | 31.01 | Stangl |

MIDAS

power supply / mains

85277D 85278

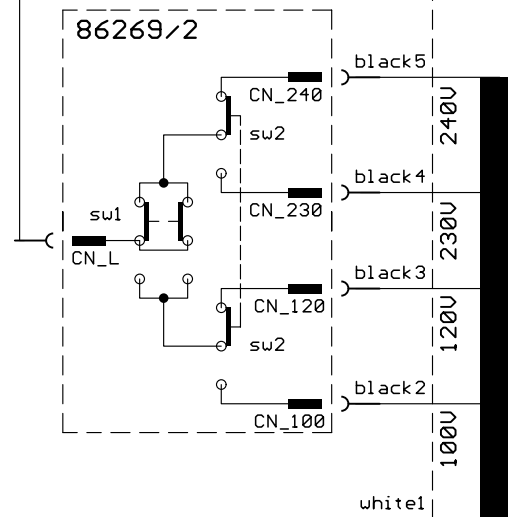
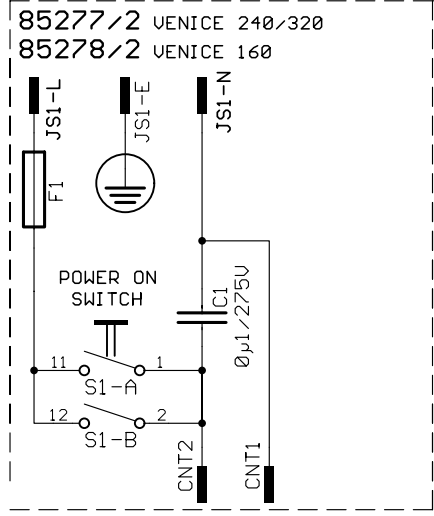
CIRCUIT DIAGRAM

357 412
MIDAS Venice

4-

| | | |
|---------------------------------------|-------|---------|
| Last modified: 27.07.2001 15:11:20 | | |
| Last plotted: 26.06.2002 13:39:14 | | |
| 2000 | DATE | NAME |
| DSG'D | 11.00 | Schuhb. |
| CHK'D | | |
| APP'D | | |

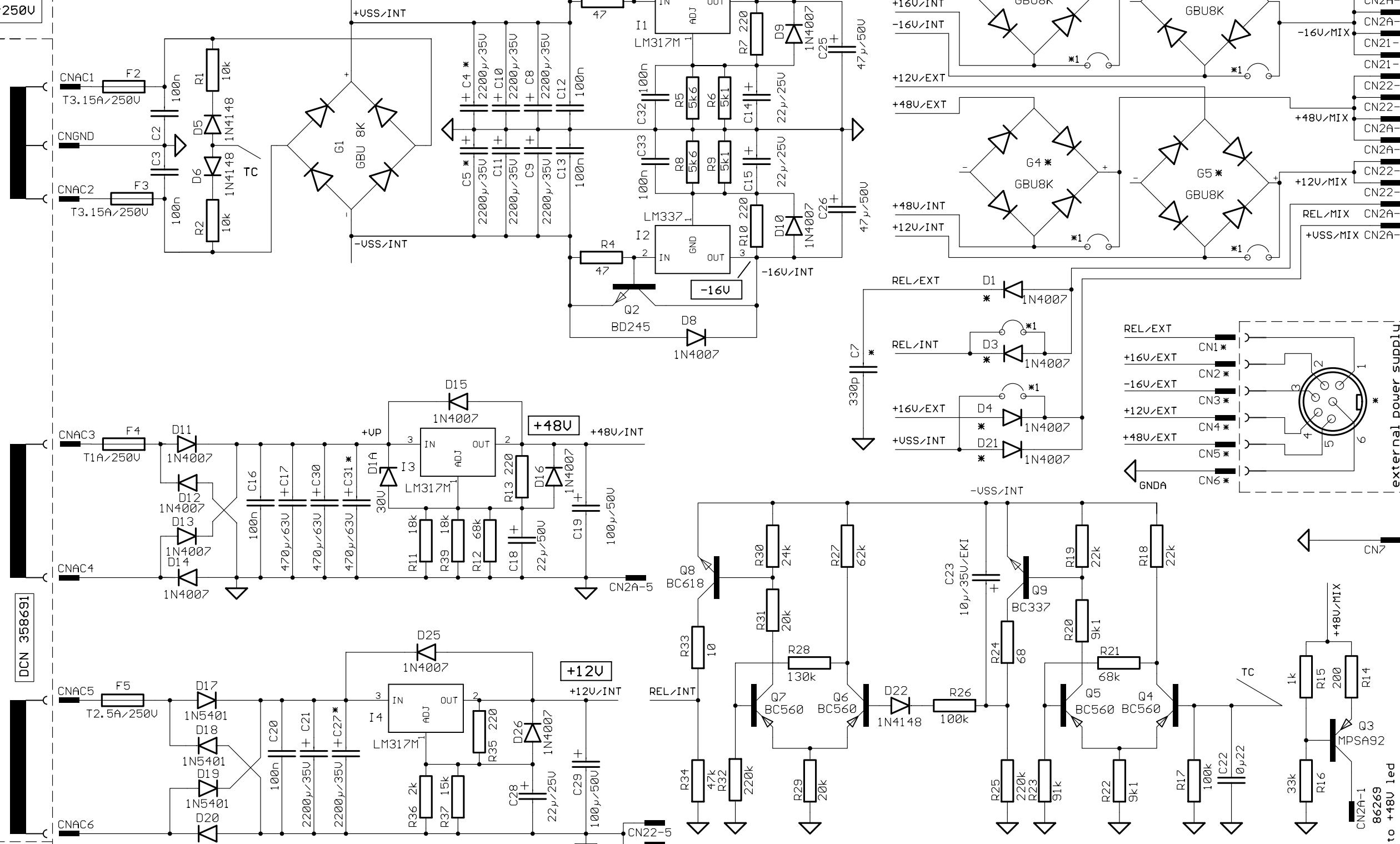
| | | |
|------------|---------------|--------------|
| F1 | 100U-120U | 220U-240U |
| VENICE 160 | T3.15A/L/250U | T1.6A/L/250U |
| VENICE 240 | T3.15A/L/250U | T1.6A/L/250U |
| VENICE 320 | T3.15A/L/250U | T1.6A/L/250U |



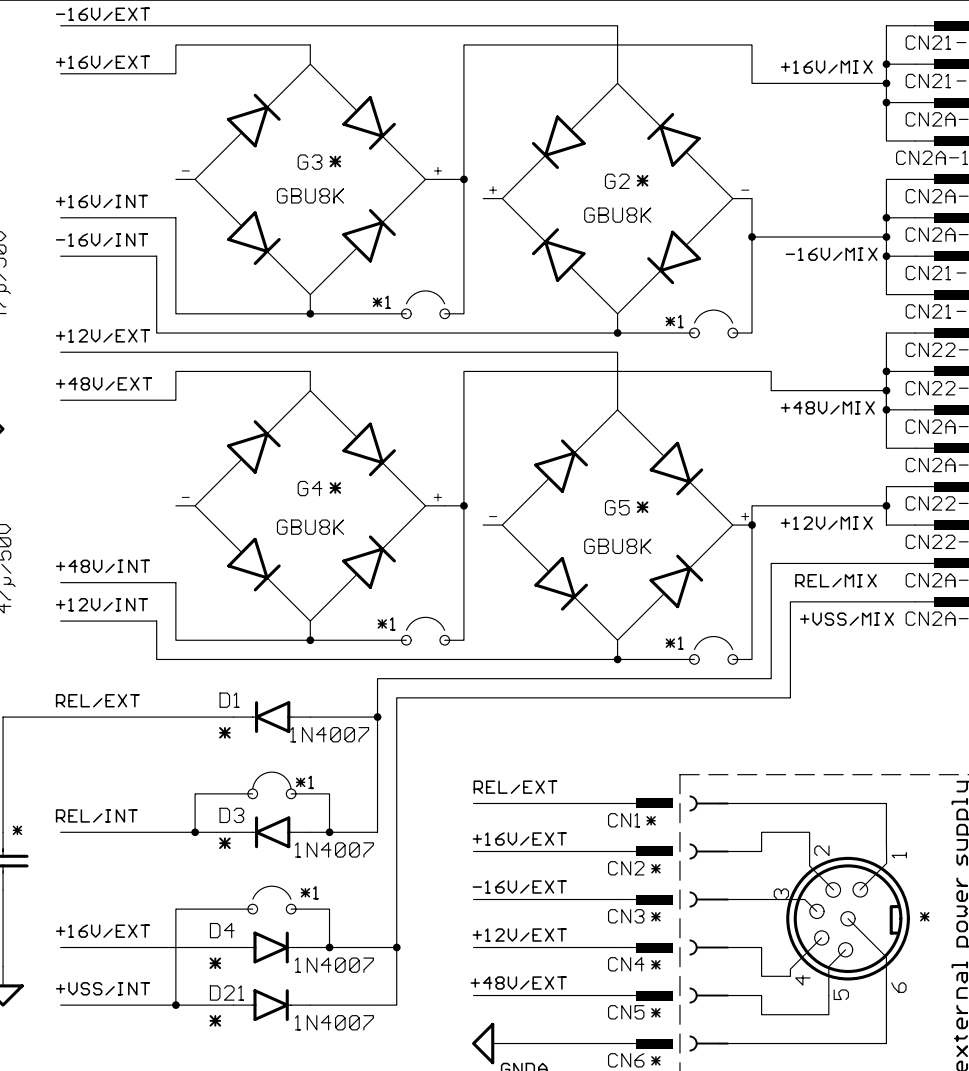
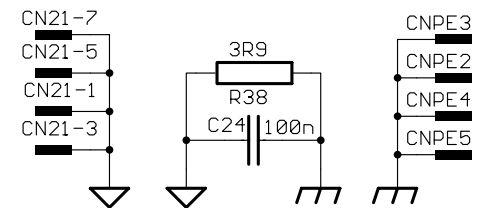
85277 VENICE 240/320
85278 VENICE 160
*1 only at 85278

| * | 85277 | 85278 |
|---------|--------|-------|
| CN1-CN6 | 343516 | n. c. |
| C4, C5 | 2200μ | n. c. |
| G2 - G5 | GBU8K | n. c. |
| D1, D3 | 1N4007 | n. c. |
| D4, D21 | 1N4007 | n. c. |
| C7 | 330p | n. c. |
| C27 | 2200μ | n. c. |
| C31 | 470μ | n. c. |

85277/1 VENICE 240/320
85278/1 VENICE 160



DCN 358691



ALTERATIONS RESERVED!

| | | | |
|---------------------------------------|-----------|-------|---------|
| Last modified: 29.11.2001 11:02:10 | | | |
| Last plotted: 26.06.2002 13:40:52 | | | |
| | 2000 | DATE | NAME |
| | DSG'D | 11.00 | Schuhb. |
| E | 92/01 | 28.11 | HSa |
| D | 57/01 | 27.07 | Stangl |
| C | 24/03 | 27.03 | Stangl |
| B | 09/01 | 14.02 | Stangl |
| A | Nullserie | 31.01 | Stangl |
| ISSUE | REVISION | DATE | NAME |

MIDAS

power supply / mains

85277E 85278

CIRCUIT DIAGRAM

357 412
MIDAS Venice

4-

| Ersatzteilliste - Bill of Materials | | | | |
|--|------------------|----------------------------|------------|---|
| | | | | |
| | 173031 | VENICE 160 100V | | |
| | 173032 | VENICE 160 120V | | |
| | 173033 | VENICE 160 220V | | |
| | 173019 | VENICE 160 230V | | |
| | 173034 | VENICE 160 240V | | |
| | | | | |
| Pos. Nr. | Best. Nr. | | | |
| Ref. No. | Part No. | Bezeichnung | Qty | Description |
| | | | | |
| | | Zubehör | | Accessories & packaging material |
| | | | | |
| | 359941 | BEDIENUNGSANL. VENICE | 1 | owner's manual VENICE |
| | 300425 | KABEL-NETZ 2.0 M 10A | 1 | power cable Europe |
| | 346832 | KABEL-NETZ UL/CSA 10A/125V | 1 | power cable US |
| | 354619 | KABEL-NETZ SAA 10A/250V | 1 | power cable UK |
| | 302583 | SICHER T 1.600 A/250V | 1 | fuse 1.6A slow blow |
| | 328391 | SICHER-HALTER-KAPPE FEK | 1 | fuse holder carrier |
| | 359992 | SCHUTZBEZUG VENICE 160 | 1 | dust cover VENICE 160 |
| | 360935 | RACKWINKEL-SATZ VENICE 160 | 1 | mounting brackets (pair) |
| | 359942 | KRT. VENICE 160 | 1 | carton inner VENICE 160 |
| | 359943 | KRT. VENICE 160 AUSSEN | 1 | carton outer VENICE 160 |
| | 359944 | STYROPOR-EINL. LI. VENICE | 1 | foam left hand |
| | 359945 | STYROPOR-EINL. RE. VENICE | 1 | foam right hand |
| | 338158 | SCHUTZHÜLLE 800X1200X0,07 | 1 | plastic bag |
| | | | | |
| | | Mechanische Teile | | Cabinet material |
| | | | | |
| | 359877 | DK 11,4 GR/WS/DG B 6FL | 33 | knob rotary l.gr/wh/l.gr |
| | 359876 | DK 11,4 DG/WS/GR B 6FL | 15 | knob rotary gr/wh/l.gr |
| | 359878 | DK 11,4 DG/WS/BL B 6FL | 24 | knob rotary gr/wh/bl |
| | 359879 | DK 11,4 GR/WS/BL B 6FL | 16 | knob rotary l.gr/wh/bl |
| | 359990 | DK 11,4 DG/WS/DG B 6FL | 12 | knob rotary gr/wh/gr |
| | 359991 | DK 11,4 GR/WS/GN B 6FL | 26 | knob rotary l.gr/wh/gn |
| | 358364 | DK 11,4 GR/WS/RT B 6FL | 30 | knob rotary l.gr/wh/rd |
| | 359993 | DK 11,4 DG/SW/GE B 6FL | 28 | knob rotary gr/blk/yl |
| | 359994 | DK 11,4 GR/SW/GE B 6FL | 1 | knob rotary l.gr/blk/yl |
| | 359995 | DK 11,4 DG/WS/RT B 6FL | 2 | knob rotary gr/wh/rd |
| | 359946 | SK 24X11 GR/SW 4X1,2 | 12 | knob slide l.gr/blk |
| | 359947 | SK 24X11 BL/SW 4X1,2 | 4 | knob slide bl/blk |
| | 359948 | SK 24X11 RT/SW 4X1,2 | 3 | knob slide rd/blk |
| | 359949 | SK 24X11 GN/SW 4X1,2 | 2 | knob slide gn/blk |
| | 359645 | TK 9,8X9,8 RT 3,3 | 17 | knob switch red square |
| | 360000 | TK 7,5X6 RT 3,3 | 14 | knob switch red small |
| | 359999 | TK 9,8X6 RT 3,3 | 2 | knob switch red mid |
| | 358363 | TK 7,5X6 GR 3,3 | 63 | knob switch l.gr small |
| | 358360 | TK 9,8X6 GR 3,3 | 26 | knob switch l.gr mid |
| | 359863 | TK 2,8 SW 3,3 | 12 | knob switch blk +48V |
| | 359647 | EINLEGEBLENDE VENICE 160 | 1 | logo VENICE 160 |
| | 335589 | FUSS-GUMMI SJ 5009 SW | 4 | rubber foot |
| | 358631 | KABEL-KONFEKT 12POL 0.220M | 1 | ribbon cable assy 12-way |
| | 358630 | KABEL-KONFEKT 12POL 0.290M | 1 | ribbon cable assy 12-way |
| | 358634 | KABEL-KONFEKT-BUS 12POL 3X | 1 | ribbon cable assy 12-way |
| | 358686 | KABEL-KONFEKT 8POL 0.860M | 1 | ribbon cable assy 8-way |

| Pos. Nr. Ref. No. | Best. Nr. Part No. | Bezeichnung | Qty | Description |
|----------------------|-----------------------|-------------------------------|----------|---|
| | 358687 | KABEL-KONFEKT 8POL 1.000M | 2 | ribbon cable assy 8-way |
| | 358690 | KABEL-KONFEKT 12POL 0.720M | 1 | ribbon cable assy 12-way |
| | 360944 | KABEL-KONFEKT 12POL 0.660M | 1 | ribbon cable assy 12-way |
| | 360943 | KABEL-KONFEKT 12POL 0.560M | 1 | ribbon cable assy 12-way |
| | 360941 | KABEL-KONFEKT 6POL 0.500M | 1 | ribbon cable assy 6-way |
| | 349610 | KABEL-KONFEKT 10POL 0.520M | 2 | ribbon cable assy 10-way |
| | 341984 | KABEL-KONFEKT 4POL 0.150M | 1 | ribbon cable assy 4-way |
| | 348565 | KABEL-KONFEKT 18POL 0.200M | 6 | ribbon cable assy 18way |
| | 358390 | SEITENTEIL LINKS VENICE | 1 | side wing left hand |
| | 358534 | SEITENTEIL RECHTS VENICE | 1 | side wing rihgt hand |
| | 360221 | FRONTLEISTE VENICE 160 | 1 | arm rest VENICE 160 |
| | 358391 | FRONTBL-BED VENICE 160 | 1 | front panel VENICE 160 |
| | 358392 | RÜCKWAND-BED VENICE 160 | 1 | rear panel VENICE 160 |
| | 358691 | RKT VENICE 100-240V | 1 | mains transformer VENICE |
| | | Printplatten, bestückt | | Printed circuit board assemblies |
| | 852788 | PCBAR#VENICE 160 | 1 | pcb assy 85278 power supply |
| CNACx | 343516 | FL.STECKER 4.8/0.5 | 1 | connector 4.8mm faston |
| CNGND | 343516 | FL.STECKER 4.8/0.5 | 1 | connector 4.8mm faston |
| CNPE2 | 330269 | FL.STECKER 6.3/0.8 | 1 | connector 6.3mm faston |
| CNPE3 | 330269 | FL.STECKER 6.3/0.8 | 1 | connector 6.3mm faston |
| CNT01 | 329022 | FL.STECKER 6.3/0.8 | 1 | connector 6.3mm faston |
| CNT02 | 329022 | FL.STECKER 6.3/0.8 | 1 | connector 6.3mm faston |
| CN02A | 344975 | MESSERLST. 10POL | 1 | connector male 10-pin |
| CN021 | 344862 | MESSERLST. 8POL | 1 | connector male 8-pin |
| CN022 | 345489 | MESSERLST. 6POL | 1 | connector male 6-pin |
| C0001 | 341714 | KO-SO 0.10MF 275V 20% K | 1 | safety cap 100nF/275V |
| C0002 | 329021 | KO-KER 0.10MF 100V 20% | 1 | cap ceramic 100nF |
| C0003 | 329021 | KO-KER 0.10MF 100V 20% | 1 | cap ceramic 100nF |
| C0008 | 335935 | KO-EL 2200.000MF 35V | 1 | cap electrolytic 2200uF/35V |
| C0009 | 335935 | KO-EL 2200.000MF 35V | 1 | cap electrolytic 2200uF/35V |
| C0010 | 335935 | KO-EL 2200.000MF 35V | 1 | cap electrolytic 2200uF/35V |
| C0011 | 335935 | KO-EL 2200.000MF 35V | 1 | cap electrolytic 2200uF/35V |
| C0012 | 329021 | KO-KER 0.10MF 100V 20% | 1 | cap ceramic 100nF |
| C0013 | 329021 | KO-KER 0.10MF 100V 20% | 1 | cap ceramic 100nF |
| C0014 | 327815 | KO-EL 22.000MF 25V | 1 | cap electrolytic 22uF/25V |
| C0015 | 327815 | KO-EL 22.000MF 25V | 1 | cap electrolytic 22uF/25V |
| C0016 | 329021 | KO-KER 0.10MF 100V 20% | 1 | cap ceramic 100nF |
| C0017 | 341920 | KO-EL 470.000MF 63V | 1 | cap electrolytic 470uF/63V |
| C0018 | 301478 | KO-EL 22.000MF 63V | 1 | cap electrolytic 22uF/63V |
| C0019 | 301491 | KO-EL 100.000MF 50V | 1 | cap electrolytic 100uF/50V |
| C0020 | 329021 | KO-KER 0.10MF 100V 20% | 1 | cap ceramic 100nF |
| C0021 | 335935 | KO-EL 2200.000MF 35V | 1 | cap electrolytic 2200uF/35V |
| C0022 | 342923 | KO-FOL 0.220MF 63V 5% | 1 | cap mylar 220nF |
| C0023 | 307445 | KO-EL 10.000MF 35V | 1 | cap electrolytic 10uF/35V |
| C0024 | 329021 | KO-KER 0.10MF 100V 20% | 1 | cap ceramic 100nF |
| C0025 | 343530 | KO-EL 47.000MF 50V | 1 | cap electrolytic 47uF/50V |
| C0026 | 343530 | KO-EL 47.000MF 50V | 1 | cap electrolytic 47uF/50V |
| C0028 | 327815 | KO-EL 22.000MF 25V | 1 | cap electrolytic 22uF/25V |
| C0029 | 301491 | KO-EL 100.000MF 50V | 1 | cap electrolytic 100uF/50V |
| C0030 | 341920 | KO-EL 470.000MF 63V | 1 | cap electrolytic 470uF/63V |
| C0032 | 329021 | KO-KER 0.10MF 100V 20% | 1 | cap ceramic 100nF |

| Pos. Nr. Ref. No. | Best. Nr. Part No. | Bezeichnung | Qty | Description |
|----------------------|-----------------------|------------------------------------|----------|------------------------------------|
| C0033 | 329021 | KO-KER 0.10MF 100V 20% | 1 | cap ceramic 100nF |
| D0005 | 301254 | DIODE 1N 4148 AXIAL | 1 | diode 1N 4148 |
| D0006 | 301254 | DIODE 1N 4148 AXIAL | 1 | diode 1N 4148 |
| D0007 | 304360 | DIODE 1N 4007 GEGURTET | 1 | diode 1N 4002 |
| D0008 | 304360 | DIODE 1N 4007 GEGURTET | 1 | diode 1N 4002 |
| D0009 | 304360 | DIODE 1N 4007 GEGURTET | 1 | diode 1N 4002 |
| D001A | 304364 | DIODZ ZPY 30V 1.30W | 1 | diode zener 30V |
| D0010 | 304360 | DIODE 1N 4007 GEGURTET | 1 | diode 1N 4002 |
| D0011 | 304360 | DIODE 1N 4007 GEGURTET | 1 | diode 1N 4002 |
| D0012 | 304360 | DIODE 1N 4007 GEGURTET | 1 | diode 1N 4002 |
| D0013 | 304360 | DIODE 1N 4007 GEGURTET | 1 | diode 1N 4002 |
| D0014 | 304360 | DIODE 1N 4007 GEGURTET | 1 | diode 1N 4002 |
| D0015 | 304360 | DIODE 1N 4007 GEGURTET | 1 | diode 1N 4002 |
| D0016 | 304360 | DIODE 1N 4007 GEGURTET | 1 | diode 1N 4002 |
| D0017 | 358946 | DIODE 1N 5401 BEARB.AUS | 1 | diode 1N 5401 |
| D0018 | 358946 | DIODE 1N 5401 BEARB.AUS | 1 | diode 1N 5401 |
| D0019 | 358946 | DIODE 1N 5401 BEARB.AUS | 1 | diode 1N 5401 |
| D0020 | 358946 | DIODE 1N 5401 BEARB.AUS | 1 | diode 1N 5401 |
| D0022 | 301254 | DIODE 1N 4148 AXIAL | 1 | diode 1N 4148 |
| D0025 | 304360 | DIODE 1N 4007 GEGURTET | 1 | diode 1N 4002 |
| D0026 | 304360 | DIODE 1N 4007 GEGURTET | 1 | diode 1N 4002 |
| F0002 | 302587 | SICHER T 3.150 A/250V | 1 | fuse 3.15A slow blow |
| F0003 | 302587 | SICHER T 3.150 A/250V | 1 | fuse 3.15A slow blow |
| F0004 | 302582 | SICHER T 1.000 A/250V | 1 | fuse 1A slow blow |
| F0005 | 305205 | SICHER T 2.500 A/250V | 1 | fuse 2.5A slow blow |
| G0001 | 357140 | GLRI GBU 8K | 1 | rectifier |
| I0001 | 354199 | IC SPNG.REGL. LM 317 T | 1 | IC LM 317 voltage regulator |
| I0002 | 354929 | IC SPNG.REGL. LM 337 T | 1 | IC LM 337 voltage regulator |
| I0003 | 354199 | IC SPNG.REGL. LM 317 T | 1 | IC LM 317 voltage regulator |
| I0004 | 354199 | IC SPNG.REGL. LM 317 T | 1 | IC LM 317 voltage regulator |
| JS001 | 338835 | STECKER-KALTGERÄTE | 1 | connector male mains |
| 00010 | 301233 | TRANS BD 246 B | 0 | transistor BD 246 B |
| 00010 | 301234 | TRANS BD 245 B | 0 | transistor BD 245 B |
| Q0003 | 348423 | TRANS MPSA 92 | 1 | transistor MPSA 92 |
| Q0004 | 306928 | TRANS BC 560 C | 1 | transistor BC 560 C |
| Q0005 | 306928 | TRANS BC 560 C | 1 | transistor BC 560 C |
| Q0006 | 306928 | TRANS BC 560 C | 1 | transistor BC 560 C |
| Q0007 | 306928 | TRANS BC 560 C | 1 | transistor BC 560 C |
| Q0008 | 348591 | TRANS BC 618 DARL. TO 92 | 1 | transistor BC 618 |
| Q0009 | 307150 | TRANS BC 337-25 TO 92 | 1 | transistor BC 337-25 |
| S0001 | 354927 | SCHALTER-NETZ | 1 | switch mains |
| 00005 | 303576 | SICHER-HALTE-FEDER | 8 | fuse clip |
| 00010 | 328390 | SICHER-HALTER FAU | 1 | fuse holder |
| | | | | |
| | 813468 | PCBAR#VENICE 160/240/320 R1 | 1 | pcb assy 81346 input mono |
| | | please refer to bom of VENICE 240 | | |
| | | | | |
| | 822308 | PCBAR#VENICE 160/240/320 | 1 | pcb assy 82230 input stereo |
| | | please refer to bom of VENICE 240 | | |
| | | | | |
| | 862698 | PCBAR#VENICE 160/240/320 | 1 | pcb assy 86269 connectors |

| Pos. Nr. Ref. No. | Best. Nr. Part No. | Bezeichnung | Qty | Description |
|------------------------------------|-------------------------------------|-----------------------------------|------------|--------------------|
| | | | | |
| | | please refer to bom of VENICE 240 | | |

| Ersatzteilliste - Bill of Materials | | | | |
|-------------------------------------|-----------------------|----------------------------|-----|---|
| | | | | |
| | 173042 | VENICE 240 120V | | |
| | 173044 | VENICE 240 240V | | |
| | 173020 | VENICE 240 230V | | |
| Pos. Nr. Ref. No. | Best. Nr. Part No. | Bezeichnung | Qty | Description |
| | | Zubehör | | Accessories & packaging material |
| | 359941 | BEDIENUNGSANL. VENICE | 1 | owner's manual VENICE |
| | 346832 | KABEL-NETZ UL/CSA 10A/125V | 1 | power cable US |
| | 354619 | KABEL-NETZ SAA 10A/250V | 1 | power cable UK |
| | 300425 | KABEL-NETZ 2.0 M 10A | 1 | power cable Europe |
| | 302587 | SICHER T 3.150 A/250V | 1 | fuse 3.15A slow blow |
| | 302583 | SICHER T 1.600 A/250V | 1 | fuse 1.6A slow blow / US only !! |
| | 328391 | SICHER-HALTER-KAPPE FEK | 1 | fuse holder carrier |
| | 360003 | SCHUTZBEZUG VENICE 240 | 1 | dust cover VENICE 240 |
| | 360005 | KRT. VENICE 240 | 1 | carton inner V240 |
| | 360006 | KRT. VENICE 240 AUSSEN | 1 | carton outer V240 |
| | 359944 | STYROPOR-EINL. LI. VENICE | 1 | foam left hand |
| | 359945 | STYROPOR-EINL. RE. VENICE | 1 | foam right hand |
| | 338158 | SCHUTZHÜLLE 800X1200X0,07 | 1 | plastic bag |
| | | Mechanische Teile | | Cabinet material |
| | 341592 | STECKER-FL. XLR 6POL | 1 | connector XLR male 6-pin |
| | 359877 | DK 11,4 GR/WS/DG B 6FL | 49 | knob rotary l.gr/wh/l.gr |
| | 359876 | DK 11,4 DG/WS/GR B 6FL | 23 | knob rotary gr/wh/l.gr |
| | 359878 | DK 11,4 DG/WS/BL B 6FL | 40 | knob rotary gr/wh/bl |
| | 359879 | DK 11,4 GR/WS/BL B 6FL | 32 | knob rotary l.gr/wh/bl |
| | 359990 | DK 11,4 DG/WS/DG B 6FL | 20 | knob rotary gr/wh/gr |
| | 359991 | DK 11,4 GR/WS/GN B 6FL | 42 | knob rotary l.gr/wh/gn |
| | 358364 | DK 11,4 GR/WS/RT B 6FL | 46 | knob rotary l.gr/wh/rd |
| | 359993 | DK 11,4 DG/SW/GE B 6FL | 44 | knob rotary gr/blk/yl |
| | 359994 | DK 11,4 GR/SW/GE B 6FL | 1 | knob rotary l.gr/blk/yl |
| | 359995 | DK 11,4 DG/WS/RT B 6FL | 2 | knob rotary gr/wh/rd |
| | 359946 | SK 24X11 GR/SW 4X1,2 | 20 | knob slide l.gr/blk |
| | 359947 | SK 24X11 BL/SW 4X1,2 | 4 | knob slide bl/blk |
| | 359948 | SK 24X11 RT/SW 4X1,2 | 3 | knob slide rd/blk |
| | 359949 | SK 24X11 GN/SW 4X1,2 | 2 | knob slide gn/blk |
| | 359645 | TK 9,8X9,8 RT 3,3 | 25 | knob switch red square |
| | 360000 | TK 7,5X6 RT 3,3 | 22 | knob switch red small |
| | 359999 | TK 9,8X6 RT 3,3 | 2 | knob switch red mid |
| | 358363 | TK 7,5X6 GR 3,3 | 95 | knob switch l.gr small |
| | 358360 | TK 9,8X6 GR 3,3 | 34 | knob switch l.gr mid |
| | 359863 | TK 2,8 SW 3,3 | 20 | knob switch blk +48V |
| | 359648 | EINLEGELENDE VENICE 240 | 1 | logo VENICE 240 |
| | 335589 | FUSS-GUMMI SJ 5009 SW | 5 | rubber foot |
| | 358632 | KABEL-KONFEKT-BUS 12POL 3X | 1 | ribbon cable 12-way 3conn |
| | 358633 | KABEL-KONFEKT-BUS 12POL 3X | 1 | ribbon cable 12-way 3conn |
| | 358635 | KABEL-KONFEKT-BUS 12POL 4X | 1 | ribbon cable 12-way 4conn |
| | 358686 | KABEL-KONFEKT 8POL 0.930M | 1 | ribbon cable assy 8-way |
| | 358687 | KABEL-KONFEKT 8POL 1.120M | 2 | ribbon cable assy 8-way |

| Pos. Nr. Ref. No. | Best. Nr. Part No. | Bezeichnung | Qty | Description |
|----------------------|-----------------------|-------------------------------|----------|---|
| | 358688 | KABEL-KONFEKT 12POL 0.900M | 1 | ribbon cable assy 12-way |
| | 358689 | KABEL-KONFEKT 12POL 0.800M | 1 | ribbon cable assy 12-way |
| | 358690 | KABEL-KONFEKT 12POL 0.720M | 1 | ribbon cable assy 12-way |
| | 354302 | KABEL-KONFEKT 6POL 0.600M | 1 | ribbon cable 6-way |
| | 348388 | KABEL-KONFEKT 10POL 0.620M | 2 | ribbon cable assy 10-way |
| | 341984 | KABEL-KONFEKT 4POL 0.150M | 1 | ribbon cable assy 4-way |
| | 353397 | KABEL-KONFEKT 18POL 0.110M | 10 | ribbon cable assy 18-way |
| | 358390 | SEITENTEIL LINKS VENICE | 1 | side wing left hand |
| | 358534 | SEITENTEIL RECHTS VENICE | 1 | side wing rihgt hand |
| | 359769 | FRONTLEISTE VENICE 240 | 1 | armrest VENICE 240 |
| | 359631 | FRONTBL-BED VENICE 240 | 1 | front panel VENICE 240 |
| | 359632 | RÜCKWAND-BED VENICE 240 | 1 | rear panel VENICE 240 |
| | 358691 | RKT VENICE 100-240V | 1 | mains transformer VENICE |
| | | Printplatten, bestückt | | Printed circuit board assemblies |
| | 852778 | PCBAR#VENICE 240/320 | 1 | pcb assy 85277 power supply |
| CNACx | 343516 | FL.STECKER 4.8/0.5 | 1 | connector 4.8mm faston |
| CNGND | 343516 | FL.STECKER 4.8/0.5 | 1 | connector 4.8mm faston |
| CNPE2 | 330269 | FL.STECKER 6.3/0.8 | 1 | connector 6.3mm faston |
| CNPE3 | 330269 | FL.STECKER 6.3/0.8 | 1 | connector 6.3mm faston |
| CNT01 | 329022 | FL.STECKER 6.3/0.8 | 1 | connector 6.3mm faston |
| CNT02 | 329022 | FL.STECKER 6.3/0.8 | 1 | connector 6.3mm faston |
| CN00x | 343516 | FL.STECKER 4.8/0.5 | 1 | connector 4.8mm faston |
| CN02A | 344975 | MESSERLST. 10POL | 1 | connector male 10-pin |
| CN021 | 344862 | MESSERLST. 8POL | 1 | connector male 8-pin |
| CN022 | 345489 | MESSERLST. 6POL | 1 | connector male 6-pin |
| C0001 | 341714 | KO-SO 0.10MF 275V 20% K | 1 | safety cap 100nF/275V |
| C0002 | 329021 | KO-KER 0.10MF 100V 20% | 1 | cap ceramic 100nF |
| C0003 | 329021 | KO-KER 0.10MF 100V 20% | 1 | cap ceramic 100nF |
| C0004 | 335935 | KO-EL 2200.000MF 35V | 1 | cap electrolytic 2200uF/35V |
| C0005 | 335935 | KO-EL 2200.000MF 35V | 1 | cap electrolytic 2200uF/35V |
| C0008 | 335935 | KO-EL 2200.000MF 35V | 1 | cap electrolytic 2200uF/35V |
| C0009 | 335935 | KO-EL 2200.000MF 35V | 1 | cap electrolytic 2200uF/35V |
| C0010 | 335935 | KO-EL 2200.000MF 35V | 1 | cap electrolytic 2200uF/35V |
| C0011 | 335935 | KO-EL 2200.000MF 35V | 1 | cap electrolytic 2200uF/35V |
| C0012 | 329021 | KO-KER 0.10MF 100V 20% | 1 | cap ceramic 100nF |
| C0013 | 329021 | KO-KER 0.10MF 100V 20% | 1 | cap ceramic 100nF |
| C0014 | 327815 | KO-EL 22.000MF 25V | 1 | cap electrolytic 22uF/25V |
| C0015 | 327815 | KO-EL 22.000MF 25V | 1 | cap electrolytic 22uF/25V |
| C0016 | 329021 | KO-KER 0.10MF 100V 20% | 1 | cap ceramic 100nF |
| C0017 | 341920 | KO-EL 470.000MF 63V | 1 | cap electrolytic 470uF/63V |
| C0018 | 301478 | KO-EL 22.000MF 63V | 1 | cap electrolytic 22uF/63V |
| C0019 | 301491 | KO-EL 100.000MF 50V | 1 | cap electrolytic 100uF/50V |
| C0020 | 329021 | KO-KER 0.10MF 100V 20% | 1 | cap ceramic 100nF |
| C0021 | 335935 | KO-EL 2200.000MF 35V | 1 | cap electrolytic 2200uF/35V |
| C0022 | 342923 | KO-FOL 0.220MF 63V 5% | 1 | cap mylar 220nF |
| C0023 | 307445 | KO-EL 10.000MF 35V | 1 | cap electrolytic 10uF/35V |
| C0024 | 329021 | KO-KER 0.10MF 100V 20% | 1 | cap ceramic 100nF |
| C0025 | 343530 | KO-EL 47.000MF 50V | 1 | cap electrolytic 47uF/50V |
| C0026 | 343530 | KO-EL 47.000MF 50V | 1 | cap electrolytic 47uF/50V |
| C0027 | 335935 | KO-EL 2200.000MF 35V | 1 | cap electrolytic 2200uF/35V |
| C0028 | 327815 | KO-EL 22.000MF 25V | 1 | cap electrolytic 22uF/25V |

| Pos. Nr. Ref. No. | Best. Nr. Part No. | Bezeichnung | Qty | Description |
|----------------------|-----------------------|--------------------------|-----|-----------------------------|
| C0029 | 301491 | KO-EL 100.000MF 50V | 1 | cap electrolytic 100uF/50V |
| C0030 | 341920 | KO-EL 470.000MF 63V | 1 | cap electrolytic 470uF/63V |
| C0031 | 341920 | KO-EL 470.000MF 63V | 1 | cap electrolytic 470uF/63V |
| C0032 | 329021 | KO-KER 0.10MF 100V 20% | 1 | cap ceramic 100nF |
| C0033 | 329021 | KO-KER 0.10MF 100V 20% | 1 | cap ceramic 100nF |
| D0005 | 301254 | DIODE 1N 4148 AXIAL | 1 | diode 1N 4148 |
| D0006 | 301254 | DIODE 1N 4148 AXIAL | 1 | diode 1N 4148 |
| D0007 | 304360 | DIODE 1N 4007 GEGURTET | 1 | diode 1N 4002 |
| D0008 | 304360 | DIODE 1N 4007 GEGURTET | 1 | diode 1N 4002 |
| D0009 | 304360 | DIODE 1N 4007 GEGURTET | 1 | diode 1N 4002 |
| D001A | 304364 | DIODZ ZPY 30V 1.30W | 1 | diode zener 30V |
| D0010 | 304360 | DIODE 1N 4007 GEGURTET | 1 | diode 1N 4002 |
| D0011 | 304360 | DIODE 1N 4007 GEGURTET | 1 | diode 1N 4002 |
| D0012 | 304360 | DIODE 1N 4007 GEGURTET | 1 | diode 1N 4002 |
| D0013 | 304360 | DIODE 1N 4007 GEGURTET | 1 | diode 1N 4002 |
| D0014 | 304360 | DIODE 1N 4007 GEGURTET | 1 | diode 1N 4002 |
| D0015 | 304360 | DIODE 1N 4007 GEGURTET | 1 | diode 1N 4002 |
| D0016 | 304360 | DIODE 1N 4007 GEGURTET | 1 | diode 1N 4002 |
| D0017 | 358946 | DIODE 1N 5401 BEARB.AUS | 1 | diode 1N 5401 |
| D0018 | 358946 | DIODE 1N 5401 BEARB.AUS | 1 | diode 1N 5401 |
| D0019 | 358946 | DIODE 1N 5401 BEARB.AUS | 1 | diode 1N 5401 |
| D0020 | 358946 | DIODE 1N 5401 BEARB.AUS | 1 | diode 1N 5401 |
| D0021 | 301254 | DIODE 1N 4148 AXIAL | 1 | diode 1N 4148 |
| D0022 | 301254 | DIODE 1N 4148 AXIAL | 1 | diode 1N 4148 |
| D0023 | 304360 | DIODE 1N 4007 GEGURTET | 1 | diode 1N 4002 |
| D0025 | 304360 | DIODE 1N 4007 GEGURTET | 1 | diode 1N 4002 |
| D0026 | 304360 | DIODE 1N 4007 GEGURTET | 1 | diode 1N 4002 |
| E0001 | 356656 | RELAIS 845-N-2C-S-24VDC | 1 | relay 24V |
| E0002 | 356656 | RELAIS 845-N-2C-S-24VDC | 1 | relay 24V |
| E0003 | 356745 | RELAIS M4-24H | 1 | relay 24V |
| F0002 | 302587 | SICHER T 3.150 A/250V | 1 | fuse 3.15A slow blow |
| F0003 | 302587 | SICHER T 3.150 A/250V | 1 | fuse 3.15A slow blow |
| F0004 | 302582 | SICHER T 1.000 A/250V | 1 | fuse 1A slow blow |
| F0005 | 305205 | SICHER T 2.500 A/250V | 1 | fuse 2.5A slow blow |
| G0001 | 357140 | GLRI GBU 8K | 1 | rectifier |
| I0001 | 354199 | IC SPNG.REGL. LM 317 T | 1 | IC LM 317 voltage regulator |
| I0002 | 354929 | IC SPNG.REGL. LM 337 T | 1 | IC LM 337 voltage regulator |
| I0003 | 354199 | IC SPNG.REGL. LM 317 T | 1 | IC LM 317 voltage regulator |
| I0004 | 354199 | IC SPNG.REGL. LM 317 T | 1 | IC LM 317 voltage regulator |
| JS001 | 338835 | STECKER-KALTGERÄTE | 1 | connector male mains |
| 00010 | 301233 | TRANS BD 246 B | 0 | transistor BD 246 B |
| 00010 | 301234 | TRANS BD 245 B | 0 | transistor BD 245 B |
| Q0003 | 348423 | TRANS MPSA 92 | 1 | transistor MPSA 92 |
| Q0004 | 306928 | TRANS BC 560 C | 1 | transistor BC 560 C |
| Q0005 | 306928 | TRANS BC 560 C | 1 | transistor BC 560 C |
| Q0006 | 306928 | TRANS BC 560 C | 1 | transistor BC 560 C |
| Q0007 | 306928 | TRANS BC 560 C | 1 | transistor BC 560 C |
| Q0008 | 348591 | TRANS BC 618 DARL. TO 92 | 1 | transistor BC 618 |
| Q0009 | 307150 | TRANS BC 337-25 TO 92 | 1 | transistor BC 337-25 |
| S0001 | 354927 | SCHALTER-NETZ | 1 | switch mains |
| 00005 | 303576 | SICHER-HALTE-FEDER | 8 | fuse clip |
| 00010 | 328390 | SICHER-HALTER FAU | 1 | fuse holder |

| Pos. Nr. Ref. No. | Best. Nr. Part No. | Bezeichnung | Qty | Description |
|----------------------|-----------------------|---------------------------------|----------|----------------------------------|
| | 813468 | PCBAR#VENICE 160/240/320 | 2 | pcb assy 81346 input mono |
| CN006 | 348802 | MESSERLST. 12POL | 1 | connector male 12-pin |
| CN007 | 348802 | MESSERLST. 12POL | 1 | connector male 12-pin |
| CN008 | 348802 | MESSERLST. 12POL | 1 | connector male 12-pin |
| CN01y | 346759 | MESSERLST. 18POL | 1 | connector male 18-pin |
| C001A | 357452 | KO-KER 330.0PF 100V 10% | 1 | cap ceramic 330pF |
| C0017 | 329021 | KO-KER 0.10MF 100V 20% | 1 | cap ceramic 100nF |
| C002A | 357452 | KO-KER 330.0PF 100V 10% | 1 | cap ceramic 330pF |
| C003A | 357453 | KO-EL 1000.000MF 6.3V | 1 | cap elctrolytic 1000uF/6.3V |
| C004A | 340524 | KO-EL 100.000MF 16V | 1 | cap electrolytic 100uF/16V |
| C006A | 342936 | KO-FOL 0.150MF 63V 5% | 1 | cap mylar 150nF |
| C007A | 342936 | KO-FOL 0.150MF 63V 5% | 1 | cap mylar 150nF |
| C008A | 340524 | KO-EL 100.000MF 16V | 1 | cap electrolytic 100uF/16V |
| C009A | 340524 | KO-EL 100.000MF 16V | 1 | cap electrolytic 100uF/16V |
| C010A | 336094 | KO-FOL 6800.000PF 100V 5% | 1 | cap mylar 6800pF |
| C011A | 301524 | KO-KER 47.0PF 500V 10% | 1 | cap ceramic 47pF |
| C012A | 300302 | KO-FOL 1200.000PF 100V 5% | 1 | cap mylar 1200pF |
| C013A | 326923 | KO-FOL 3300.000PF 63V 5% | 1 | cap mylar 3300pF |
| C014A | 341276 | KO-FOL 0.012MF 100V 5% | 1 | cap mylar 12nF |
| C015A | 327393 | KO-FOL 4700.000PF 63V 5% | 1 | cap mylar 4700pF |
| C016A | 336095 | KO-FOL 0.100MF 63V 5% | 1 | cap mylar 100nF |
| C017A | 336094 | KO-FOL 6800.000PF 100V 5% | 1 | cap mylar 6800pF |
| C018A | 340524 | KO-EL 100.000MF 16V | 1 | cap electrolytic 100uF/16V |
| C019A | 342934 | KO-FOL 0.033MF 100V 5% | 1 | cap mylar 33nF |
| C020A | 340524 | KO-EL 100.000MF 16V | 1 | cap electrolytic 100uF/16V |
| C021A | 340524 | KO-EL 100.000MF 16V | 1 | cap electrolytic 100uF/16V |
| C022A | 301543 | KO-KER 330.0PF 500V 10% | 1 | cap ceramic 330pF |
| C023A | 358639 | KO-EL 220.000MF 16V | 1 | cap electrolytic 220uF/16V |
| C024A | 340524 | KO-EL 100.000MF 16V | 1 | cap electrolytic 100uF/16V |
| C025A | 336094 | KO-FOL 6800.000PF 100V 5% | 1 | cap mylar 6800pF |
| C028A | 329021 | KO-KER 0.10MF 100V 20% | 1 | cap ceramic 100nF |
| C029A | 357451 | KO-KER 68.0PF 100V 2% | 1 | cap ceramic 68pF |
| C030A | 357451 | KO-KER 68.0PF 100V 2% | 1 | cap ceramic 68pF |
| C031A | 335787 | KO-KER 15.0PF 100V 2% | 1 | cap ceramic 15pF |
| C032A | 335787 | KO-KER 15.0PF 100V 2% | 1 | cap ceramic 15pF |
| C080A | 343532 | KO-EL 100.000MF 25V | 1 | cap electrolytic 100uF/25V |
| C081A | 343532 | KO-EL 100.000MF 25V | 1 | cap electrolytic 100uF/25V |
| C090A | 340523 | KO-EL 22.000MF 16V | 1 | cap electrolytic 22uF/16V |
| C091A | 340523 | KO-EL 22.000MF 16V | 1 | cap electrolytic 22uF/16V |
| C82AB | 329021 | KO-KER 0.10MF 100V 20% | 1 | cap ceramic 100nF |
| C83AB | 329021 | KO-KER 0.10MF 100V 20% | 1 | cap ceramic 100nF |
| C84AB | 329021 | KO-KER 0.10MF 100V 20% | 1 | cap ceramic 100nF |
| C85AB | 329021 | KO-KER 0.10MF 100V 20% | 1 | cap ceramic 100nF |
| C86AB | 329021 | KO-KER 0.10MF 100V 20% | 1 | cap ceramic 100nF |
| C87AB | 329021 | KO-KER 0.10MF 100V 20% | 1 | cap ceramic 100nF |
| C88AB | 329021 | KO-KER 0.10MF 100V 20% | 1 | cap ceramic 100nF |
| C89AB | 329021 | KO-KER 0.10MF 100V 20% | 1 | cap ceramic 100nF |
| D001A | 301254 | DIODE 1N 4148 AXIAL | 1 | diode 1N 4148 |
| D005A | 301254 | DIODE 1N 4148 AXIAL | 1 | diode 1N 4148 |
| D006A | 354005 | LED GE 3MM LOW CURRENT | 1 | led yellow |
| D007A | 354003 | LED RT 3MM LOW CURRENT | 1 | led red |
| D008A | 354004 | LED GN 3MM LOW CURRENT | 1 | led green |

| Pos. Nr. Ref. No. | Best. Nr. Part No. | Bezeichnung | Qty | Description |
|----------------------|-----------------------|---------------------------------|----------|------------------------------------|
| D009A | 354003 | LED RT 3MM LOW CURRENT | 1 | led red |
| D010A | 301297 | DIODE BAT 85 SCHOTTKY | 1 | diode BAT 85 |
| D011A | 301297 | DIODE BAT 85 SCHOTTKY | 1 | diode BAT 85 |
| D012A | 354005 | LED GE 3MM LOW CURRENT | 1 | led yellow |
| I001A | 354933 | IC NJM 2068 D DUAL IN | 1 | IC NJM 2068 |
| I02AB | 327197 | IC NE 5532 P 2FACH OP | 1 | IC NE 5532 N |
| I03AB | 358898 | IC MC 33178 2FACH OP | 1 | IC MC 33178 |
| I04AB | 358661 | IC NJM 2060 D | 1 | IC NJM 2060 |
| I05AB | 358661 | IC NJM 2060 D | 1 | IC NJM 2060 |
| I06AB | 327197 | IC NE 5532 P 2FACH OP | 1 | IC NE 5532 N |
| I07AB | 343502 | IC LM 2901 N | 1 | IC LM 2901 |
| Q001A | 343536 | TRANS 2SA 1084 E TO 92 | 1 | transistor 2SA 1084 E |
| Q002A | 343536 | TRANS 2SA 1084 E TO 92 | 1 | transistor 2SA 1084 E |
| Q003A | 348421 | TRANS 2N 3906 | 1 | transistor 2N 3906 |
| Q004A | 348421 | TRANS 2N 3906 | 1 | transistor 2N 3906 |
| Q005A | 348421 | TRANS 2N 3906 | 1 | transistor 2N 3906 |
| R086A | 340299 | WI-SI 2.20 OHM 0.30W 5% | 1 | safety resistor 2.20 Ohm |
| R087A | 340299 | WI-SI 2.20 OHM 0.30W 5% | 1 | safety resistor 2.20 Ohm |
| S001A | 357446 | SCHALTER-TAST 2XUM | 1 | switch dpdt |
| S002A | 357446 | SCHALTER-TAST 2XUM | 1 | switch dpdt |
| S003A | 357447 | SCHALTER-TAST 4XUM | 1 | switch 4pdt |
| S004A | 357447 | SCHALTER-TAST 4XUM | 1 | switch 4pdt |
| S005A | 357446 | SCHALTER-TAST 2XUM | 1 | switch dpdt |
| S006A | 357446 | SCHALTER-TAST 2XUM | 1 | switch dpdt |
| S007A | 357446 | SCHALTER-TAST 2XUM | 1 | switch dpdt |
| VR01A | 357442 | P-DREH 2X 5KOHM LIN/LOG- | 1 | pot 2x5k Ohm |
| VR02A | 357441 | P-DREH 20KOHM LIN | 1 | pot 20k Ohm |
| VR03A | 357435 | P-DREH 2X200KOHM LOG- | 1 | pot 2x200k Ohm |
| VR04A | 357439 | P-DREH 10KOHM LIN | 1 | pot 10k Ohm |
| VR05A | 357435 | P-DREH 2X200KOHM LOG- | 1 | pot 2x200k Ohm |
| VR06A | 357439 | P-DREH 10KOHM LIN | 1 | pot 10k Ohm |
| VR07A | 357441 | P-DREH 20KOHM LIN | 1 | pot 20k Ohm |
| VR08A | 357443 | P-SHIB 10KOHM LOG+ | 1 | fader 10k Ohm |
| VR09A | 358685 | P-DREH 2X 10KOHM LOG-/LOG+ | 1 | pot 2x10k Ohm |
| VR10A | 357437 | P-DREH 50KOHM LOG- | 1 | pot 50k Ohm |
| VR11A | 357437 | P-DREH 50KOHM LOG- | 1 | pot 50k Ohm |
| VR12A | 357437 | P-DREH 50KOHM LOG- | 1 | pot 50k Ohm |
| VR13A | 357437 | P-DREH 50KOHM LOG- | 1 | pot 50k Ohm |
| VR14A | 357436 | P-DREH 2X 50KOHM LOG- | 1 | pot 2x50k Ohm |
| VR15A | 357436 | P-DREH 2X 50KOHM LOG- | 1 | pot 2x50k Ohm |
| | 822308 | PCBAR#VENICE 160/240/320 | 1 | pcb assy 82230 input stereo |
| A0003 | 356641 | KABEL-KONFEKT 6POL 0.230M | 1 | ribbon cable assy 6-way |
| CN007 | 348802 | MESSERLST. 12POL | 1 | connector male 12-pin |
| CN008 | 348802 | MESSERLST. 12POL | 1 | connector male 12-pin |
| CN01E | 346759 | MESSERLST. 18POL | 1 | connector male 18-pin |
| CN01F | 346759 | MESSERLST. 18POL | 1 | connector male 18-pin |
| CN017 | 344862 | MESSERLST. 8POL | 1 | connector male 8-pin |
| CN018 | 344862 | MESSERLST. 8POL | 1 | connector male 8-pin |
| CN020 | 348802 | MESSERLST. 12POL | 1 | connector male 12-pin |
| CN021 | 344862 | MESSERLST. 8POL | 1 | connector male 8-pin |
| CN022 | 345489 | MESSERLST. 6POL | 1 | connector male 6-pin |

| Pos. Nr. Ref. No. | Best. Nr. Part No. | Bezeichnung | Qty | Description |
|----------------------|-----------------------|-------------------------|-----|-----------------------------|
| CN024 | 348802 | MESSERLST. 12POL | 1 | connector male 12-pin |
| CN025 | 348802 | MESSERLST. 12POL | 1 | connector male 12-pin |
| CN026 | 344975 | MESSERLST. 10POL | 1 | connector male 10-pin |
| CN06A | 348802 | MESSERLST. 12POL | 1 | connector male 12-pin |
| CN06B | 348802 | MESSERLST. 12POL | 1 | connector male 12-pin |
| CN19A | 345489 | MESSERLST. 6POL | 1 | connector male 6-pin |
| CN19B | 345489 | MESSERLST. 6POL | 1 | connector male 6-pin |
| C0001 | 301530 | KO-KER 100.0PF 500V 10% | 1 | cap ceramic 100pF |
| C0002 | 301530 | KO-KER 100.0PF 500V 10% | 1 | cap ceramic 100pF |
| C0003 | 340524 | KO-EL 100.000MF 16V | 1 | cap electrolytic 100uF/16V |
| C0004 | 340524 | KO-EL 100.000MF 16V | 1 | cap electrolytic 100uF/16V |
| C0005 | 301524 | KO-KER 47.0PF 500V 10% | 1 | cap ceramic 47pF |
| C0006 | 301524 | KO-KER 47.0PF 500V 10% | 1 | cap ceramic 47pF |
| C0007 | 340524 | KO-EL 100.000MF 16V | 1 | cap electrolytic 100uF/16V |
| C0008 | 340524 | KO-EL 100.000MF 16V | 1 | cap electrolytic 100uF/16V |
| C0009 | 340523 | KO-EL 22.000MF 16V | 1 | cap electrolytic 22uF/16V |
| C001A | 357452 | KO-KER 330.0PF 100V 10% | 1 | cap ceramic 330pF |
| C0010 | 340523 | KO-EL 22.000MF 16V | 1 | cap electrolytic 22uF/16V |
| C0011 | 301530 | KO-KER 100.0PF 500V 10% | 1 | cap ceramic 100pF |
| C0012 | 301530 | KO-KER 100.0PF 500V 10% | 1 | cap ceramic 100pF |
| C0013 | 340524 | KO-EL 100.000MF 16V | 1 | cap electrolytic 100uF/16V |
| C0014 | 340524 | KO-EL 100.000MF 16V | 1 | cap electrolytic 100uF/16V |
| C0015 | 340524 | KO-EL 100.000MF 16V | 1 | cap electrolytic 100uF/16V |
| C0016 | 340524 | KO-EL 100.000MF 16V | 1 | cap electrolytic 100uF/16V |
| C0017 | 301558 | KO-KER 33.0PF 100V 2% | 1 | cap ceramic 33pF |
| C0018 | 340524 | KO-EL 100.000MF 16V | 1 | cap electrolytic 100uF/16V |
| C0019 | 340524 | KO-EL 100.000MF 16V | 1 | cap electrolytic 100uF/16V |
| C002A | 357452 | KO-KER 330.0PF 100V 10% | 1 | cap ceramic 330pF |
| C0020 | 301530 | KO-KER 100.0PF 500V 10% | 1 | cap ceramic 100pF |
| C0021 | 301530 | KO-KER 100.0PF 500V 10% | 1 | cap ceramic 100pF |
| C0022 | 340524 | KO-EL 100.000MF 16V | 1 | cap electrolytic 100uF/16V |
| C0023 | 340524 | KO-EL 100.000MF 16V | 1 | cap electrolytic 100uF/16V |
| C0024 | 301519 | KO-KER 10.0PF 500V 10% | 1 | cap ceramic 10pF |
| C0025 | 301519 | KO-KER 10.0PF 500V 10% | 1 | cap ceramic 10pF |
| C0026 | 340524 | KO-EL 100.000MF 16V | 1 | cap electrolytic 100uF/16V |
| C0027 | 340524 | KO-EL 100.000MF 16V | 1 | cap electrolytic 100uF/16V |
| C0028 | 301558 | KO-KER 33.0PF 100V 2% | 1 | cap ceramic 33pF |
| C0029 | 301558 | KO-KER 33.0PF 100V 2% | 1 | cap ceramic 33pF |
| C003A | 357453 | KO-EL 1000.000MF 6.3V | 1 | cap elctrolytic 1000uF/6.3V |
| C0030 | 340524 | KO-EL 100.000MF 16V | 1 | cap electrolytic 100uF/16V |
| C0033 | 343532 | KO-EL 100.000MF 25V | 1 | cap electrolytic 100uF/25V |
| C0034 | 343532 | KO-EL 100.000MF 25V | 1 | cap electrolytic 100uF/25V |
| C0035 | 329021 | KO-KER 0.10MF 100V 20% | 1 | cap ceramic 100nF |
| C0036 | 329021 | KO-KER 0.10MF 100V 20% | 1 | cap ceramic 100nF |
| C0037 | 329021 | KO-KER 0.10MF 100V 20% | 1 | cap ceramic 100nF |
| C0038 | 329021 | KO-KER 0.10MF 100V 20% | 1 | cap ceramic 100nF |
| C0039 | 329021 | KO-KER 0.10MF 100V 20% | 1 | cap ceramic 100nF |
| C004A | 340524 | KO-EL 100.000MF 16V | 1 | cap electrolytic 100uF/16V |
| C0040 | 329021 | KO-KER 0.10MF 100V 20% | 1 | cap ceramic 100nF |
| C0041 | 340521 | KO-EL 2.200MF 50V | 1 | cap electrolytic 2.2uF/50V |
| C0042 | 340521 | KO-EL 2.200MF 50V | 1 | cap electrolytic 2.2uF/50V |
| C0043 | 340523 | KO-EL 22.000MF 16V | 1 | cap electrolytic 22uF/16V |
| C0044 | 329021 | KO-KER 0.10MF 100V 20% | 1 | cap ceramic 100nF |

| Pos. Nr. Ref. No. | Best. Nr. Part No. | Bezeichnung | Qty | Description |
|----------------------|-----------------------|-------------------------|-----|----------------------------|
| C0045 | 329021 | KO-KER 0.10MF 100V 20% | 1 | cap ceramic 100nF |
| C0046 | 329021 | KO-KER 0.10MF 100V 20% | 1 | cap ceramic 100nF |
| C0047 | 329021 | KO-KER 0.10MF 100V 20% | 1 | cap ceramic 100nF |
| C0048 | 329021 | KO-KER 0.10MF 100V 20% | 1 | cap ceramic 100nF |
| C0049 | 329021 | KO-KER 0.10MF 100V 20% | 1 | cap ceramic 100nF |
| C005A | 358769 | KO-KER 15.0PF 100V 2% | 1 | cap ceramic 15pF |
| C0050 | 329021 | KO-KER 0.10MF 100V 20% | 1 | cap ceramic 100nF |
| C0051 | 329021 | KO-KER 0.10MF 100V 20% | 1 | cap ceramic 100nF |
| C0052 | 329021 | KO-KER 0.10MF 100V 20% | 1 | cap ceramic 100nF |
| C0053 | 329021 | KO-KER 0.10MF 100V 20% | 1 | cap ceramic 100nF |
| C0054 | 329021 | KO-KER 0.10MF 100V 20% | 1 | cap ceramic 100nF |
| C0055 | 329021 | KO-KER 0.10MF 100V 20% | 1 | cap ceramic 100nF |
| C0056 | 343532 | KO-EL 100.000MF 25V | 1 | cap electrolytic 100uF/25V |
| C0057 | 343532 | KO-EL 100.000MF 25V | 1 | cap electrolytic 100uF/25V |
| C0058 | 340523 | KO-EL 22.000MF 16V | 1 | cap electrolytic 22uF/16V |
| C0059 | 340521 | KO-EL 2.200MF 50V | 1 | cap electrolytic 2.2uF/50V |
| C006A | 342936 | KO-FOL 0.150MF 63V 5% | 1 | cap mylar 150nF |
| C0060 | 340521 | KO-EL 2.200MF 50V | 1 | cap electrolytic 2.2uF/50V |
| C0061 | 301558 | KO-KER 33.0PF 100V 2% | 1 | cap ceramic 33pF |
| C0062 | 340524 | KO-EL 100.000MF 16V | 1 | cap electrolytic 100uF/16V |
| C0063 | 335787 | KO-KER 15.0PF 100V 2% | 1 | cap ceramic 15pF |
| C0064 | 340524 | KO-EL 100.000MF 16V | 1 | cap electrolytic 100uF/16V |
| C0065 | 335787 | KO-KER 15.0PF 100V 2% | 1 | cap ceramic 15pF |
| C0066 | 340524 | KO-EL 100.000MF 16V | 1 | cap electrolytic 100uF/16V |
| C0067 | 340524 | KO-EL 100.000MF 16V | 1 | cap electrolytic 100uF/16V |
| C0068 | 340524 | KO-EL 100.000MF 16V | 1 | cap electrolytic 100uF/16V |
| C0069 | 340524 | KO-EL 100.000MF 16V | 1 | cap electrolytic 100uF/16V |
| C007A | 342936 | KO-FOL 0.150MF 63V 5% | 1 | cap mylar 150nF |
| C0070 | 340524 | KO-EL 100.000MF 16V | 1 | cap electrolytic 100uF/16V |
| C0071 | 340524 | KO-EL 100.000MF 16V | 1 | cap electrolytic 100uF/16V |
| C0072 | 340524 | KO-EL 100.000MF 16V | 1 | cap electrolytic 100uF/16V |
| C0073 | 301524 | KO-KER 47.0PF 500V 10% | 1 | cap ceramic 47pF |
| C0074 | 301524 | KO-KER 47.0PF 500V 10% | 1 | cap ceramic 47pF |
| C0075 | 340524 | KO-EL 100.000MF 16V | 1 | cap electrolytic 100uF/16V |
| C0076 | 340524 | KO-EL 100.000MF 16V | 1 | cap electrolytic 100uF/16V |
| C0077 | 340524 | KO-EL 100.000MF 16V | 1 | cap electrolytic 100uF/16V |
| C0078 | 340524 | KO-EL 100.000MF 16V | 1 | cap electrolytic 100uF/16V |
| C0079 | 301558 | KO-KER 33.0PF 100V 2% | 1 | cap ceramic 33pF |
| C008A | 340524 | KO-EL 100.000MF 16V | 1 | cap electrolytic 100uF/16V |
| C0080 | 301558 | KO-KER 33.0PF 100V 2% | 1 | cap ceramic 33pF |
| C0081 | 329021 | KO-KER 0.10MF 100V 20% | 1 | cap ceramic 100nF |
| C0082 | 301524 | KO-KER 47.0PF 500V 10% | 1 | cap ceramic 47pF |
| C0083 | 340524 | KO-EL 100.000MF 16V | 1 | cap electrolytic 100uF/16V |
| C0084 | 340524 | KO-EL 100.000MF 16V | 1 | cap electrolytic 100uF/16V |
| C0085 | 301530 | KO-KER 100.0PF 500V 10% | 1 | cap ceramic 100pF |
| C0086 | 340524 | KO-EL 100.000MF 16V | 1 | cap electrolytic 100uF/16V |
| C0087 | 301524 | KO-KER 47.0PF 500V 10% | 1 | cap ceramic 47pF |
| C0088 | 340524 | KO-EL 100.000MF 16V | 1 | cap electrolytic 100uF/16V |
| C0089 | 340524 | KO-EL 100.000MF 16V | 1 | cap electrolytic 100uF/16V |
| C009A | 340523 | KO-EL 22.000MF 16V | 1 | cap electrolytic 22uF/16V |
| C0090 | 301530 | KO-KER 100.0PF 500V 10% | 1 | cap ceramic 100pF |
| C0091 | 340524 | KO-EL 100.000MF 16V | 1 | cap electrolytic 100uF/16V |
| C0092 | 301524 | KO-KER 47.0PF 500V 10% | 1 | cap ceramic 47pF |

| Pos. Nr. Ref. No. | Best. Nr. Part No. | Bezeichnung | Qty | Description |
|----------------------|-----------------------|-------------------------|-----|----------------------------|
| C0093 | 340524 | KO-EL 100.000MF 16V | 1 | cap electrolytic 100uF/16V |
| C0094 | 340524 | KO-EL 100.000MF 16V | 1 | cap electrolytic 100uF/16V |
| C0095 | 301530 | KO-KER 100.0PF 500V 10% | 1 | cap ceramic 100pF |
| C0096 | 340524 | KO-EL 100.000MF 16V | 1 | cap electrolytic 100uF/16V |
| C0097 | 301524 | KO-KER 47.0PF 500V 10% | 1 | cap ceramic 47pF |
| C0098 | 340524 | KO-EL 100.000MF 16V | 1 | cap electrolytic 100uF/16V |
| C0099 | 340524 | KO-EL 100.000MF 16V | 1 | cap electrolytic 100uF/16V |
| C01AB | 343532 | KO-EL 100.000MF 25V | 1 | cap electrolytic 100uF/25V |
| C010C | 358769 | KO-KER 15.0PF 100V 2% | 1 | cap ceramic 15pF |
| C010D | 358769 | KO-KER 15.0PF 100V 2% | 1 | cap ceramic 15pF |
| C0100 | 301530 | KO-KER 100.0PF 500V 10% | 1 | cap ceramic 100pF |
| C0101 | 340524 | KO-EL 100.000MF 16V | 1 | cap electrolytic 100uF/16V |
| C0102 | 335787 | KO-KER 15.0PF 100V 2% | 1 | cap ceramic 15pF |
| C0103 | 340524 | KO-EL 100.000MF 16V | 1 | cap electrolytic 100uF/16V |
| C0104 | 301519 | KO-KER 10.0PF 500V 10% | 1 | cap ceramic 10pF |
| C0105 | 340524 | KO-EL 100.000MF 16V | 1 | cap electrolytic 100uF/16V |
| C0106 | 343532 | KO-EL 100.000MF 25V | 1 | cap electrolytic 100uF/25V |
| C0107 | 343532 | KO-EL 100.000MF 25V | 1 | cap electrolytic 100uF/25V |
| C0108 | 329021 | KO-KER 0.10MF 100V 20% | 1 | cap ceramic 100nF |
| C0109 | 329021 | KO-KER 0.10MF 100V 20% | 1 | cap ceramic 100nF |
| C011A | 301558 | KO-KER 33.0PF 100V 2% | 1 | cap ceramic 33pF |
| C0110 | 329021 | KO-KER 0.10MF 100V 20% | 1 | cap ceramic 100nF |
| C0111 | 329021 | KO-KER 0.10MF 100V 20% | 1 | cap ceramic 100nF |
| C0112 | 329021 | KO-KER 0.10MF 100V 20% | 1 | cap ceramic 100nF |
| C0113 | 329021 | KO-KER 0.10MF 100V 20% | 1 | cap ceramic 100nF |
| C0114 | 335787 | KO-KER 15.0PF 100V 2% | 1 | cap ceramic 15pF |
| C0115 | 340524 | KO-EL 100.000MF 16V | 1 | cap electrolytic 100uF/16V |
| C0116 | 301519 | KO-KER 10.0PF 500V 10% | 1 | cap ceramic 10pF |
| C0117 | 340524 | KO-EL 100.000MF 16V | 1 | cap electrolytic 100uF/16V |
| C0118 | 301558 | KO-KER 33.0PF 100V 2% | 1 | cap ceramic 33pF |
| C0119 | 335787 | KO-KER 15.0PF 100V 2% | 1 | cap ceramic 15pF |
| C012A | 301558 | KO-KER 33.0PF 100V 2% | 1 | cap ceramic 33pF |
| C0120 | 335787 | KO-KER 15.0PF 100V 2% | 1 | cap ceramic 15pF |
| C0121 | 340524 | KO-EL 100.000MF 16V | 1 | cap electrolytic 100uF/16V |
| C0122 | 340524 | KO-EL 100.000MF 16V | 1 | cap electrolytic 100uF/16V |
| C0123 | 335787 | KO-KER 15.0PF 100V 2% | 1 | cap ceramic 15pF |
| C0124 | 340524 | KO-EL 100.000MF 16V | 1 | cap electrolytic 100uF/16V |
| C0125 | 335787 | KO-KER 15.0PF 100V 2% | 1 | cap ceramic 15pF |
| C0126 | 335787 | KO-KER 15.0PF 100V 2% | 1 | cap ceramic 15pF |
| C0127 | 340524 | KO-EL 100.000MF 16V | 1 | cap electrolytic 100uF/16V |
| C0128 | 340524 | KO-EL 100.000MF 16V | 1 | cap electrolytic 100uF/16V |
| C0129 | 335787 | KO-KER 15.0PF 100V 2% | 1 | cap ceramic 15pF |
| C013A | 301558 | KO-KER 33.0PF 100V 2% | 1 | cap ceramic 33pF |
| C0130 | 340524 | KO-EL 100.000MF 16V | 1 | cap electrolytic 100uF/16V |
| C0131 | 335787 | KO-KER 15.0PF 100V 2% | 1 | cap ceramic 15pF |
| C0132 | 340524 | KO-EL 100.000MF 16V | 1 | cap electrolytic 100uF/16V |
| C0133 | 335787 | KO-KER 15.0PF 100V 2% | 1 | cap ceramic 15pF |
| C0134 | 340524 | KO-EL 100.000MF 16V | 1 | cap electrolytic 100uF/16V |
| C0135 | 335787 | KO-KER 15.0PF 100V 2% | 1 | cap ceramic 15pF |
| C0136 | 340524 | KO-EL 100.000MF 16V | 1 | cap electrolytic 100uF/16V |
| C0137 | 335787 | KO-KER 15.0PF 100V 2% | 1 | cap ceramic 15pF |
| C0138 | 340524 | KO-EL 100.000MF 16V | 1 | cap electrolytic 100uF/16V |
| C0139 | 340524 | KO-EL 100.000MF 16V | 1 | cap electrolytic 100uF/16V |

| Pos. Nr. Ref. No. | Best. Nr. Part No. | Bezeichnung | Qty | Description |
|----------------------|-----------------------|-------------------------|-----|----------------------------|
| C014A | 301558 | KO-KER 33.0PF 100V 2% | 1 | cap ceramic 33pF |
| C0140 | 340524 | KO-EL 100.000MF 16V | 1 | cap electrolytic 100uF/16V |
| C0141 | 345461 | KO-KER 680.0PF 100V 10% | 1 | cap ceramic 680pF |
| C0142 | 345461 | KO-KER 680.0PF 100V 10% | 1 | cap ceramic 680pF |
| C0143 | 340524 | KO-EL 100.000MF 16V | 1 | cap electrolytic 100uF/16V |
| C0144 | 329021 | KO-KER 0.10MF 100V 20% | 1 | cap ceramic 100nF |
| C0145 | 329021 | KO-KER 0.10MF 100V 20% | 1 | cap ceramic 100nF |
| C0146 | 329021 | KO-KER 0.10MF 100V 20% | 1 | cap ceramic 100nF |
| C0147 | 329021 | KO-KER 0.10MF 100V 20% | 1 | cap ceramic 100nF |
| C0148 | 340521 | KO-EL 2.200MF 50V | 1 | cap electrolytic 2.2uF/50V |
| C0149 | 345461 | KO-KER 680.0PF 100V 10% | 1 | cap ceramic 680pF |
| C015A | 340524 | KO-EL 100.000MF 16V | 1 | cap electrolytic 100uF/16V |
| C015B | 340524 | KO-EL 100.000MF 16V | 1 | cap electrolytic 100uF/16V |
| C015C | 340524 | KO-EL 100.000MF 16V | 1 | cap electrolytic 100uF/16V |
| C015D | 340524 | KO-EL 100.000MF 16V | 1 | cap electrolytic 100uF/16V |
| C0150 | 345461 | KO-KER 680.0PF 100V 10% | 1 | cap ceramic 680pF |
| C0151 | 329021 | KO-KER 0.10MF 100V 20% | 1 | cap ceramic 100nF |
| C0152 | 345461 | KO-KER 680.0PF 100V 10% | 1 | cap ceramic 680pF |
| C0153 | 343530 | KO-EL 47.000MF 50V | 1 | cap electrolytic 47uF/50V |
| C0154 | 343530 | KO-EL 47.000MF 50V | 1 | cap electrolytic 47uF/50V |
| C0155 | 301530 | KO-KER 100.0PF 500V 10% | 1 | cap ceramic 100pF |
| C0156 | 301530 | KO-KER 100.0PF 500V 10% | 1 | cap ceramic 100pF |
| C0157 | 340524 | KO-EL 100.000MF 16V | 1 | cap electrolytic 100uF/16V |
| C0158 | 335787 | KO-KER 15.0PF 100V 2% | 1 | cap ceramic 15pF |
| C0159 | 340524 | KO-EL 100.000MF 16V | 1 | cap electrolytic 100uF/16V |
| C016A | 340524 | KO-EL 100.000MF 16V | 1 | cap electrolytic 100uF/16V |
| C0160 | 301558 | KO-KER 33.0PF 100V 2% | 1 | cap ceramic 33pF |
| C0161 | 301558 | KO-KER 33.0PF 100V 2% | 1 | cap ceramic 33pF |
| C0162 | 301558 | KO-KER 33.0PF 100V 2% | 1 | cap ceramic 33pF |
| C0163 | 301558 | KO-KER 33.0PF 100V 2% | 1 | cap ceramic 33pF |
| C0164 | 340524 | KO-EL 100.000MF 16V | 1 | cap electrolytic 100uF/16V |
| C0165 | 340524 | KO-EL 100.000MF 16V | 1 | cap electrolytic 100uF/16V |
| C0166 | 340524 | KO-EL 100.000MF 16V | 1 | cap electrolytic 100uF/16V |
| C0167 | 301558 | KO-KER 33.0PF 100V 2% | 1 | cap ceramic 33pF |
| C0168 | 301558 | KO-KER 33.0PF 100V 2% | 1 | cap ceramic 33pF |
| C0169 | 301558 | KO-KER 33.0PF 100V 2% | 1 | cap ceramic 33pF |
| C017A | 301558 | KO-KER 33.0PF 100V 2% | 1 | cap ceramic 33pF |
| C0170 | 301558 | KO-KER 33.0PF 100V 2% | 1 | cap ceramic 33pF |
| C0171 | 340524 | KO-EL 100.000MF 16V | 1 | cap electrolytic 100uF/16V |
| C0172 | 340524 | KO-EL 100.000MF 16V | 1 | cap electrolytic 100uF/16V |
| C0173 | 340524 | KO-EL 100.000MF 16V | 1 | cap electrolytic 100uF/16V |
| C0174 | 301558 | KO-KER 33.0PF 100V 2% | 1 | cap ceramic 33pF |
| C0175 | 301558 | KO-KER 33.0PF 100V 2% | 1 | cap ceramic 33pF |
| C0176 | 301558 | KO-KER 33.0PF 100V 2% | 1 | cap ceramic 33pF |
| C0177 | 301558 | KO-KER 33.0PF 100V 2% | 1 | cap ceramic 33pF |
| C0178 | 340524 | KO-EL 100.000MF 16V | 1 | cap electrolytic 100uF/16V |
| C0179 | 340524 | KO-EL 100.000MF 16V | 1 | cap electrolytic 100uF/16V |
| C018A | 301558 | KO-KER 33.0PF 100V 2% | 1 | cap ceramic 33pF |
| C0180 | 340524 | KO-EL 100.000MF 16V | 1 | cap electrolytic 100uF/16V |
| C0181 | 340524 | KO-EL 100.000MF 16V | 1 | cap electrolytic 100uF/16V |
| C0182 | 340524 | KO-EL 100.000MF 16V | 1 | cap electrolytic 100uF/16V |
| C0183 | 301530 | KO-KER 100.0PF 500V 10% | 1 | cap ceramic 100pF |
| C0184 | 301530 | KO-KER 100.0PF 500V 10% | 1 | cap ceramic 100pF |

| Pos. Nr. Ref. No. | Best. Nr. Part No. | Bezeichnung | Qty | Description |
|----------------------|-----------------------|---------------------------|-----|----------------------------|
| C0185 | 340524 | KO-EL 100.000MF 16V | 1 | cap electrolytic 100uF/16V |
| C0186 | 340524 | KO-EL 100.000MF 16V | 1 | cap electrolytic 100uF/16V |
| C0187 | 301558 | KO-KER 33.0PF 100V 2% | 1 | cap ceramic 33pF |
| C0188 | 301558 | KO-KER 33.0PF 100V 2% | 1 | cap ceramic 33pF |
| C0189 | 301558 | KO-KER 33.0PF 100V 2% | 1 | cap ceramic 33pF |
| C019A | 340523 | KO-EL 22.000MF 16V | 1 | cap electrolytic 22uF/16V |
| C0190 | 301558 | KO-KER 33.0PF 100V 2% | 1 | cap ceramic 33pF |
| C0191 | 340524 | KO-EL 100.000MF 16V | 1 | cap electrolytic 100uF/16V |
| C0192 | 340524 | KO-EL 100.000MF 16V | 1 | cap electrolytic 100uF/16V |
| C0193 | 340524 | KO-EL 100.000MF 16V | 1 | cap electrolytic 100uF/16V |
| C0194 | 340524 | KO-EL 100.000MF 16V | 1 | cap electrolytic 100uF/16V |
| C0195 | 340524 | KO-EL 100.000MF 16V | 1 | cap electrolytic 100uF/16V |
| C0196 | 301530 | KO-KER 100.0PF 500V 10% | 1 | cap ceramic 100pF |
| C0197 | 301530 | KO-KER 100.0PF 500V 10% | 1 | cap ceramic 100pF |
| C0198 | 340524 | KO-EL 100.000MF 16V | 1 | cap electrolytic 100uF/16V |
| C0199 | 340524 | KO-EL 100.000MF 16V | 1 | cap electrolytic 100uF/16V |
| C02AB | 343532 | KO-EL 100.000MF 25V | 1 | cap electrolytic 100uF/25V |
| C02CD | 343532 | KO-EL 100.000MF 25V | 1 | cap electrolytic 100uF/25V |
| C020A | 340523 | KO-EL 22.000MF 16V | 1 | cap electrolytic 22uF/16V |
| C0200 | 329021 | KO-KER 0.10MF 100V 20% | 1 | cap ceramic 100nF |
| C0201 | 329021 | KO-KER 0.10MF 100V 20% | 1 | cap ceramic 100nF |
| C0202 | 301558 | KO-KER 33.0PF 100V 2% | 1 | cap ceramic 33pF |
| C0203 | 301558 | KO-KER 33.0PF 100V 2% | 1 | cap ceramic 33pF |
| C0204 | 340524 | KO-EL 100.000MF 16V | 1 | cap electrolytic 100uF/16V |
| C0205 | 340524 | KO-EL 100.000MF 16V | 1 | cap electrolytic 100uF/16V |
| C0206 | 329021 | KO-KER 0.10MF 100V 20% | 1 | cap ceramic 100nF |
| C0207 | 329021 | KO-KER 0.10MF 100V 20% | 1 | cap ceramic 100nF |
| C0208 | 329021 | KO-KER 0.10MF 100V 20% | 1 | cap ceramic 100nF |
| C0209 | 329021 | KO-KER 0.10MF 100V 20% | 1 | cap ceramic 100nF |
| C021A | 346975 | KO-FOL 3300.000PF 100V 5% | 1 | cap mylar 3.3nF |
| C0210 | 329021 | KO-KER 0.10MF 100V 20% | 1 | cap ceramic 100nF |
| C0211 | 329021 | KO-KER 0.10MF 100V 20% | 1 | cap ceramic 100nF |
| C0212 | 340524 | KO-EL 100.000MF 16V | 1 | cap electrolytic 100uF/16V |
| C0213 | 301558 | KO-KER 33.0PF 100V 2% | 1 | cap ceramic 33pF |
| C0214 | 301558 | KO-KER 33.0PF 100V 2% | 1 | cap ceramic 33pF |
| C0215 | 340523 | KO-EL 22.000MF 16V | 1 | cap electrolytic 22uF/16V |
| C0216 | 340523 | KO-EL 22.000MF 16V | 1 | cap electrolytic 22uF/16V |
| C0217 | 340522 | KO-EL 10.000MF 35V | 1 | cap electrolytic 10uF/35V |
| C022A | 346975 | KO-FOL 3300.000PF 100V 5% | 1 | cap mylar 3.3nF |
| C023A | 346975 | KO-FOL 3300.000PF 100V 5% | 1 | cap mylar 3.3nF |
| C024A | 346975 | KO-FOL 3300.000PF 100V 5% | 1 | cap mylar 3.3nF |
| C025A | 336095 | KO-FOL 0.100MF 63V 5% | 1 | cap mylar 100nF |
| C026A | 336095 | KO-FOL 0.100MF 63V 5% | 1 | cap mylar 100nF |
| C027A | 301524 | KO-KER 47.0PF 500V 10% | 1 | cap ceramic 47pF |
| C028A | 301524 | KO-KER 47.0PF 500V 10% | 1 | cap ceramic 47pF |
| C029A | 357457 | KO-FOL 1000.000PF 100V 5% | 1 | cap mylar 1nF |
| C03AB | 329021 | KO-KER 0.10MF 100V 20% | 1 | cap ceramic 100nF |
| C03CD | 329021 | KO-KER 0.10MF 100V 20% | 1 | cap ceramic 100nF |
| C030A | 357457 | KO-FOL 1000.000PF 100V 5% | 1 | cap mylar 1nF |
| C031A | 337181 | KO-FOL 0.010MF 100V 5% | 1 | cap mylar 10nF |
| C032A | 337181 | KO-FOL 0.010MF 100V 5% | 1 | cap mylar 10nF |
| C035A | 337237 | KO-FOL 0.047MF 100V 5% | 1 | cap mylar 47nF |
| C036A | 337237 | KO-FOL 0.047MF 100V 5% | 1 | cap mylar 47nF |

| Pos. Nr. Ref. No. | Best. Nr. Part No. | Bezeichnung | Qty | Description |
|----------------------|-----------------------|---------------------------|-----|----------------------------|
| C037A | 306059 | KO-KER 3.9PF 500V0.25 | 1 | cap ceramic 3.9pF |
| C038A | 306059 | KO-KER 3.9PF 500V0.25 | 1 | cap ceramic 3.9pF |
| C039A | 340524 | KO-EL 100.000MF 16V | 1 | cap electrolytic 100uF/16V |
| C04AB | 329021 | KO-KER 0.10MF 100V 20% | 1 | cap ceramic 100nF |
| C04CD | 329021 | KO-KER 0.10MF 100V 20% | 1 | cap ceramic 100nF |
| C040A | 340524 | KO-EL 100.000MF 16V | 1 | cap electrolytic 100uF/16V |
| C041A | 340524 | KO-EL 100.000MF 16V | 1 | cap electrolytic 100uF/16V |
| C042A | 340523 | KO-EL 22.000MF 16V | 1 | cap electrolytic 22uF/16V |
| C043A | 340523 | KO-EL 22.000MF 16V | 1 | cap electrolytic 22uF/16V |
| C044A | 301543 | KO-KER 330.0PF 500V 10% | 1 | cap ceramic 330pF |
| C045A | 301543 | KO-KER 330.0PF 500V 10% | 1 | cap ceramic 330pF |
| C046A | 340524 | KO-EL 100.000MF 16V | 1 | cap electrolytic 100uF/16V |
| C047A | 340524 | KO-EL 100.000MF 16V | 1 | cap electrolytic 100uF/16V |
| C048A | 340524 | KO-EL 100.000MF 16V | 1 | cap electrolytic 100uF/16V |
| C049A | 329021 | KO-KER 0.10MF 100V 20% | 1 | cap ceramic 100nF |
| C05AB | 329021 | KO-KER 0.10MF 100V 20% | 1 | cap ceramic 100nF |
| C05CD | 329021 | KO-KER 0.10MF 100V 20% | 1 | cap ceramic 100nF |
| C050A | 301530 | KO-KER 100.0PF 500V 10% | 1 | cap ceramic 100pF |
| C051A | 340523 | KO-EL 22.000MF 16V | 1 | cap electrolytic 22uF/16V |
| C052A | 340523 | KO-EL 22.000MF 16V | 1 | cap electrolytic 22uF/16V |
| C053A | 357451 | KO-KER 68.0PF 100V 2% | 1 | cap ceramic 68pF |
| C054A | 357451 | KO-KER 68.0PF 100V 2% | 1 | cap ceramic 68pF |
| C055A | 342933 | KO-FOL 0.022MF 100V 5% | 1 | cap mylar 22nF |
| C056A | 342933 | KO-FOL 0.022MF 100V 5% | 1 | cap mylar 22nF |
| C057A | 344189 | KO-FOL 2200.000PF 100V 5% | 1 | cap mylar 2.2nF |
| C058A | 344189 | KO-FOL 2200.000PF 100V 5% | 1 | cap mylar 2.2nF |
| C059A | 301558 | KO-KER 33.0PF 100V 2% | 1 | cap ceramic 33pF |
| C06AB | 329021 | KO-KER 0.10MF 100V 20% | 1 | cap ceramic 100nF |
| C06CD | 329021 | KO-KER 0.10MF 100V 20% | 1 | cap ceramic 100nF |
| C07AB | 329021 | KO-KER 0.10MF 100V 20% | 1 | cap ceramic 100nF |
| C07CD | 329021 | KO-KER 0.10MF 100V 20% | 1 | cap ceramic 100nF |
| C08AB | 329021 | KO-KER 0.10MF 100V 20% | 1 | cap ceramic 100nF |
| C08CD | 329021 | KO-KER 0.10MF 100V 20% | 1 | cap ceramic 100nF |
| C081E | 345461 | KO-KER 680.0PF 100V 10% | 1 | cap ceramic 680pF |
| C09AB | 329021 | KO-KER 0.10MF 100V 20% | 1 | cap ceramic 100nF |
| C09CD | 329021 | KO-KER 0.10MF 100V 20% | 1 | cap ceramic 100nF |
| C10AB | 329021 | KO-KER 0.10MF 100V 20% | 1 | cap ceramic 100nF |
| C10CD | 329021 | KO-KER 0.10MF 100V 20% | 1 | cap ceramic 100nF |
| C11AB | 329021 | KO-KER 0.10MF 100V 20% | 1 | cap ceramic 100nF |
| C11CD | 329021 | KO-KER 0.10MF 100V 20% | 1 | cap ceramic 100nF |
| C12AB | 329021 | KO-KER 0.10MF 100V 20% | 1 | cap ceramic 100nF |
| C12CD | 329021 | KO-KER 0.10MF 100V 20% | 1 | cap ceramic 100nF |
| C13AB | 329021 | KO-KER 0.10MF 100V 20% | 1 | cap ceramic 100nF |
| C13CD | 329021 | KO-KER 0.10MF 100V 20% | 1 | cap ceramic 100nF |
| C14AB | 329021 | KO-KER 0.10MF 100V 20% | 1 | cap ceramic 100nF |
| C14CD | 329021 | KO-KER 0.10MF 100V 20% | 1 | cap ceramic 100nF |
| D0001 | 301254 | DIODE 1N 4148 AXIAL | 1 | diode 1N 4148 |
| D0002 | 301254 | DIODE 1N 4148 AXIAL | 1 | diode 1N 4148 |
| D0003 | 301254 | DIODE 1N 4148 AXIAL | 1 | diode 1N 4148 |
| D0004 | 301254 | DIODE 1N 4148 AXIAL | 1 | diode 1N 4148 |
| D0005 | 354004 | LED GN 3MM LOW CURRENT | 1 | led green |
| D0006 | 354004 | LED GN 3MM LOW CURRENT | 1 | led green |
| D0007 | 354004 | LED GN 3MM LOW CURRENT | 1 | led green |

| Pos. Nr. Ref. No. | Best. Nr. Part No. | Bezeichnung | Qty | Description |
|----------------------|-----------------------|------------------------|-----|---------------|
| D0008 | 354004 | LED GN 3MM LOW CURRENT | 1 | led green |
| D0009 | 354004 | LED GN 3MM LOW CURRENT | 1 | led green |
| D001A | 354005 | LED GE 3MM LOW CURRENT | 1 | led yellow |
| D0010 | 354004 | LED GN 3MM LOW CURRENT | 1 | led green |
| D0011 | 354004 | LED GN 3MM LOW CURRENT | 1 | led green |
| D0012 | 354004 | LED GN 3MM LOW CURRENT | 1 | led green |
| D0013 | 354004 | LED GN 3MM LOW CURRENT | 1 | led green |
| D0014 | 354004 | LED GN 3MM LOW CURRENT | 1 | led green |
| D0015 | 354004 | LED GN 3MM LOW CURRENT | 1 | led green |
| D0016 | 354004 | LED GN 3MM LOW CURRENT | 1 | led green |
| D0017 | 354004 | LED GN 3MM LOW CURRENT | 1 | led green |
| D0018 | 354004 | LED GN 3MM LOW CURRENT | 1 | led green |
| D0019 | 354004 | LED GN 3MM LOW CURRENT | 1 | led green |
| D0020 | 354004 | LED GN 3MM LOW CURRENT | 1 | led green |
| D0021 | 354004 | LED GN 3MM LOW CURRENT | 1 | led green |
| D0022 | 354004 | LED GN 3MM LOW CURRENT | 1 | led green |
| D0023 | 354004 | LED GN 3MM LOW CURRENT | 1 | led green |
| D0024 | 354004 | LED GN 3MM LOW CURRENT | 1 | led green |
| D0025 | 354004 | LED GN 3MM LOW CURRENT | 1 | led green |
| D0026 | 354004 | LED GN 3MM LOW CURRENT | 1 | led green |
| D0027 | 354005 | LED GE 3MM LOW CURRENT | 1 | led yellow |
| D0028 | 354005 | LED GE 3MM LOW CURRENT | 1 | led yellow |
| D0029 | 354005 | LED GE 3MM LOW CURRENT | 1 | led yellow |
| D0030 | 354005 | LED GE 3MM LOW CURRENT | 1 | led yellow |
| D0031 | 354003 | LED RT 3MM LOW CURRENT | 1 | led red |
| D0032 | 354003 | LED RT 3MM LOW CURRENT | 1 | led red |
| D0033 | 301254 | DIODE 1N 4148 AXIAL | 1 | diode 1N 4148 |
| D0034 | 301254 | DIODE 1N 4148 AXIAL | 1 | diode 1N 4148 |
| D0035 | 301254 | DIODE 1N 4148 AXIAL | 1 | diode 1N 4148 |
| D0036 | 301254 | DIODE 1N 4148 AXIAL | 1 | diode 1N 4148 |
| D0037 | 354004 | LED GN 3MM LOW CURRENT | 1 | led green |
| D0038 | 354004 | LED GN 3MM LOW CURRENT | 1 | led green |
| D0039 | 354004 | LED GN 3MM LOW CURRENT | 1 | led green |
| D0040 | 354004 | LED GN 3MM LOW CURRENT | 1 | led green |
| D0041 | 354004 | LED GN 3MM LOW CURRENT | 1 | led green |
| D0042 | 354004 | LED GN 3MM LOW CURRENT | 1 | led green |
| D0043 | 354004 | LED GN 3MM LOW CURRENT | 1 | led green |
| D0044 | 354004 | LED GN 3MM LOW CURRENT | 1 | led green |
| D0045 | 354004 | LED GN 3MM LOW CURRENT | 1 | led green |
| D0046 | 354004 | LED GN 3MM LOW CURRENT | 1 | led green |
| D0047 | 354004 | LED GN 3MM LOW CURRENT | 1 | led green |
| D0048 | 354004 | LED GN 3MM LOW CURRENT | 1 | led green |
| D0049 | 354004 | LED GN 3MM LOW CURRENT | 1 | led green |
| D005A | 354004 | LED GN 3MM LOW CURRENT | 1 | led green |
| D0050 | 354004 | LED GN 3MM LOW CURRENT | 1 | led green |
| D0051 | 354004 | LED GN 3MM LOW CURRENT | 1 | led green |
| D0052 | 354004 | LED GN 3MM LOW CURRENT | 1 | led green |
| D0053 | 354004 | LED GN 3MM LOW CURRENT | 1 | led green |
| D0054 | 354004 | LED GN 3MM LOW CURRENT | 1 | led green |
| D0055 | 354004 | LED GN 3MM LOW CURRENT | 1 | led green |
| D0056 | 354004 | LED GN 3MM LOW CURRENT | 1 | led green |
| D0057 | 354004 | LED GN 3MM LOW CURRENT | 1 | led green |
| D0058 | 354004 | LED GN 3MM LOW CURRENT | 1 | led green |

| Pos. Nr. Ref. No. | Best. Nr. Part No. | Bezeichnung | Qty | Description |
|----------------------|-----------------------|------------------------|-----|---------------|
| D0059 | 354005 | LED GE 3MM LOW CURRENT | 1 | led yellow |
| D006A | 354003 | LED RT 3MM LOW CURRENT | 1 | led red |
| D0060 | 354005 | LED GE 3MM LOW CURRENT | 1 | led yellow |
| D0061 | 354005 | LED GE 3MM LOW CURRENT | 1 | led yellow |
| D0062 | 354005 | LED GE 3MM LOW CURRENT | 1 | led yellow |
| D0063 | 354003 | LED RT 3MM LOW CURRENT | 1 | led red |
| D0064 | 354003 | LED RT 3MM LOW CURRENT | 1 | led red |
| D0065 | 354004 | LED GN 3MM LOW CURRENT | 1 | led green |
| D0066 | 354005 | LED GE 3MM LOW CURRENT | 1 | led yellow |
| D0067 | 301254 | DIODE 1N 4148 AXIAL | 1 | diode 1N 4148 |
| D0068 | 354005 | LED GE 3MM LOW CURRENT | 1 | led yellow |
| D0069 | 354005 | LED GE 3MM LOW CURRENT | 1 | led yellow |
| D007A | 354003 | LED RT 3MM LOW CURRENT | 1 | led red |
| D0070 | 354005 | LED GE 3MM LOW CURRENT | 1 | led yellow |
| D0071 | 354005 | LED GE 3MM LOW CURRENT | 1 | led yellow |
| D0072 | 354005 | LED GE 3MM LOW CURRENT | 1 | led yellow |
| D0073 | 354003 | LED RT 3MM LOW CURRENT | 1 | led red |
| D0074 | 354005 | LED GE 3MM LOW CURRENT | 1 | led yellow |
| D0075 | 354003 | LED RT 3MM LOW CURRENT | 1 | led red |
| D0076 | 354005 | LED GE 3MM LOW CURRENT | 1 | led yellow |
| D0077 | 354004 | LED GN 3MM LOW CURRENT | 1 | led green |
| D0078 | 354005 | LED GE 3MM LOW CURRENT | 1 | led yellow |
| D0079 | 354003 | LED RT 3MM LOW CURRENT | 1 | led red |
| D008A | 354005 | LED GE 3MM LOW CURRENT | 1 | led yellow |
| D0080 | 354005 | LED GE 3MM LOW CURRENT | 1 | led yellow |
| D0081 | 354004 | LED GN 3MM LOW CURRENT | 1 | led green |
| D0082 | 354005 | LED GE 3MM LOW CURRENT | 1 | led yellow |
| D0083 | 354003 | LED RT 3MM LOW CURRENT | 1 | led red |
| D0084 | 354005 | LED GE 3MM LOW CURRENT | 1 | led yellow |
| D0085 | 301297 | DIODE BAT 85 SCHOTTKY | 1 | diode BAT 85 |
| D0086 | 301297 | DIODE BAT 85 SCHOTTKY | 1 | diode BAT 85 |
| D0087 | 354003 | LED RT 3MM LOW CURRENT | 1 | led red |
| D0088 | 354003 | LED RT 3MM LOW CURRENT | 1 | led red |
| D0089 | 354004 | LED GN 3MM LOW CURRENT | 1 | led green |
| D009A | 301297 | DIODE BAT 85 SCHOTTKY | 1 | diode BAT 85 |
| D0090 | 354004 | LED GN 3MM LOW CURRENT | 1 | led green |
| D0091 | 301297 | DIODE BAT 85 SCHOTTKY | 1 | diode BAT 85 |
| D0092 | 301297 | DIODE BAT 85 SCHOTTKY | 1 | diode BAT 85 |
| D0093 | 354003 | LED RT 3MM LOW CURRENT | 1 | led red |
| D0094 | 354003 | LED RT 3MM LOW CURRENT | 1 | led red |
| D0095 | 354004 | LED GN 3MM LOW CURRENT | 1 | led green |
| D0096 | 354004 | LED GN 3MM LOW CURRENT | 1 | led green |
| D0097 | 354003 | LED RT 3MM LOW CURRENT | 1 | led red |
| D0098 | 354005 | LED GE 3MM LOW CURRENT | 1 | led yellow |
| D0099 | 354003 | LED RT 3MM LOW CURRENT | 1 | led red |
| D010A | 301297 | DIODE BAT 85 SCHOTTKY | 1 | diode BAT 85 |
| D0100 | 354005 | LED GE 3MM LOW CURRENT | 1 | led yellow |
| D011A | 301297 | DIODE BAT 85 SCHOTTKY | 1 | diode BAT 85 |
| D012A | 301297 | DIODE BAT 85 SCHOTTKY | 1 | diode BAT 85 |
| D013A | 301254 | DIODE 1N 4148 AXIAL | 1 | diode 1N 4148 |
| D0501 | 354003 | LED RT 3MM LOW CURRENT | 1 | led red |
| E0001 | 357448 | RELAIS | 1 | relay |
| E0002 | 357448 | RELAIS | 1 | relay |

| Pos. Nr. Ref. No. | Best. Nr. Part No. | Bezeichnung | Qty | Description |
|----------------------|-----------------------|--------------------------|-----|-----------------------|
| H0001 | 343457 | DICKS-NETZW. 8PIN 2% | 1 | res.network 8x10k Ohm |
| H0002 | 343457 | DICKS-NETZW. 8PIN 2% | 1 | res.network 8x10k Ohm |
| H0003 | 343457 | DICKS-NETZW. 8PIN 2% | 1 | res.network 8x10k Ohm |
| H0004 | 343457 | DICKS-NETZW. 8PIN 2% | 1 | res.network 8x10k Ohm |
| H0005 | 343457 | DICKS-NETZW. 8PIN 2% | 1 | res.network 8x10k Ohm |
| H0006 | 343457 | DICKS-NETZW. 8PIN 2% | 1 | res.network 8x10k Ohm |
| H0007 | 343457 | DICKS-NETZW. 8PIN 2% | 1 | res.network 8x10k Ohm |
| H0008 | 343457 | DICKS-NETZW. 8PIN 2% | 1 | res.network 8x10k Ohm |
| I0001 | 331340 | IC TL 072 CP 2FACH OP | 1 | IC TL 072 CP |
| I0002 | 343502 | IC LM 2901 N | 1 | IC LM 2901 |
| I0003 | 343502 | IC LM 2901 N | 1 | IC LM 2901 |
| I0004 | 343502 | IC LM 2901 N | 1 | IC LM 2901 |
| I0005 | 343502 | IC LM 2901 N | 1 | IC LM 2901 |
| I0006 | 343502 | IC LM 2901 N | 1 | IC LM 2901 |
| I0007 | 343502 | IC LM 2901 N | 1 | IC LM 2901 |
| I0008 | 343502 | IC LM 2901 N | 1 | IC LM 2901 |
| I0009 | 331340 | IC TL 072 CP 2FACH OP | 1 | IC TL 072 CP |
| I001A | 354933 | IC NJM 2068 D DUAL IN | 1 | IC NJM 2068 |
| I0010 | 343502 | IC LM 2901 N | 1 | IC LM 2901 |
| I0011 | 343502 | IC LM 2901 N | 1 | IC LM 2901 |
| I0012 | 343502 | IC LM 2901 N | 1 | IC LM 2901 |
| I0013 | 343502 | IC LM 2901 N | 1 | IC LM 2901 |
| I0014 | 343502 | IC LM 2901 N | 1 | IC LM 2901 |
| I0015 | 343502 | IC LM 2901 N | 1 | IC LM 2901 |
| I0016 | 343502 | IC LM 2901 N | 1 | IC LM 2901 |
| I0017 | 354934 | IC NJM 2068 L SINGLE IN | 1 | IC NJM 2068 L |
| I0018 | 354934 | IC NJM 2068 L SINGLE IN | 1 | IC NJM 2068 L |
| I0019 | 354931 | IC NJM 072 BL SINGLE IN | 1 | IC NJM 072 |
| I0020 | 354931 | IC NJM 072 BL SINGLE IN | 1 | IC NJM 072 |
| I0021 | 344864 | IC NJM 4556 AD 2-FACH OP | 1 | IC NJM 4556 D |
| I0022 | 344864 | IC NJM 4556 AD 2-FACH OP | 1 | IC NJM 4556 D |
| I0023 | 354933 | IC NJM 2068 D DUAL IN | 1 | IC NJM 2068 |
| I0024 | 354934 | IC NJM 2068 L SINGLE IN | 1 | IC NJM 2068 L |
| I0025 | 357454 | IC NJM 5532 L SINGLE IN | 1 | IC NJM 5532 |
| I0026 | 357454 | IC NJM 5532 L SINGLE IN | 1 | IC NJM 5532 |
| I0027 | 354931 | IC NJM 072 BL SINGLE IN | 1 | IC NJM 072 |
| I0028 | 357454 | IC NJM 5532 L SINGLE IN | 1 | IC NJM 5532 |
| I0029 | 354931 | IC NJM 072 BL SINGLE IN | 1 | IC NJM 072 |
| I0030 | 354934 | IC NJM 2068 L SINGLE IN | 1 | IC NJM 2068 L |
| I0031 | 354934 | IC NJM 2068 L SINGLE IN | 1 | IC NJM 2068 L |
| I0032 | 354934 | IC NJM 2068 L SINGLE IN | 1 | IC NJM 2068 L |
| I0033 | 354934 | IC NJM 2068 L SINGLE IN | 1 | IC NJM 2068 L |
| I0034 | 354934 | IC NJM 2068 L SINGLE IN | 1 | IC NJM 2068 L |
| I0035 | 354934 | IC NJM 2068 L SINGLE IN | 1 | IC NJM 2068 L |
| I0036 | 343502 | IC LM 2901 N | 1 | IC LM 2901 |
| I0037 | 343502 | IC LM 2901 N | 1 | IC LM 2901 |
| I0038 | 354934 | IC NJM 2068 L SINGLE IN | 1 | IC NJM 2068 L |
| I0039 | 354934 | IC NJM 2068 L SINGLE IN | 1 | IC NJM 2068 L |
| I0040 | 354931 | IC NJM 072 BL SINGLE IN | 1 | IC NJM 072 |
| I0041 | 354934 | IC NJM 2068 L SINGLE IN | 1 | IC NJM 2068 L |
| I0042 | 354931 | IC NJM 072 BL SINGLE IN | 1 | IC NJM 072 |
| I0043 | 354934 | IC NJM 2068 L SINGLE IN | 1 | IC NJM 2068 L |
| I0044 | 354931 | IC NJM 072 BL SINGLE IN | 1 | IC NJM 072 |

| Pos. Nr. Ref. No. | Best. Nr. Part No. | Bezeichnung | Qty | Description |
|----------------------|-----------------------|----------------------------|-----|-----------------------------|
| I0045 | 354931 | IC NJM 072 BL SINGLE IN | 1 | IC NJM 072 |
| I0046 | 354934 | IC NJM 2068 L SINGLE IN | 1 | IC NJM 2068 L |
| I0047 | 354934 | IC NJM 2068 L SINGLE IN | 1 | IC NJM 2068 L |
| I0048 | 354931 | IC NJM 072 BL SINGLE IN | 1 | IC NJM 072 |
| I0049 | 354931 | IC NJM 072 BL SINGLE IN | 1 | IC NJM 072 |
| I0050 | 354934 | IC NJM 2068 L SINGLE IN | 1 | IC NJM 2068 L |
| I0051 | 354931 | IC NJM 072 BL SINGLE IN | 1 | IC NJM 072 |
| I0052 | 354934 | IC NJM 2068 L SINGLE IN | 1 | IC NJM 2068 L |
| I0055 | 354933 | IC NJM 2068 D DUAL IN | 1 | IC NJM 2068 |
| I013A | 327197 | IC NE 5532 P 2FACH OP | 1 | IC NE 5532 N |
| I02AB | 327197 | IC NE 5532 P 2FACH OP | 1 | IC NE 5532 N |
| I02CD | 327197 | IC NE 5532 P 2FACH OP | 1 | IC NE 5532 N |
| I03AB | 327197 | IC NE 5532 P 2FACH OP | 1 | IC NE 5532 N |
| I03CD | 327197 | IC NE 5532 P 2FACH OP | 1 | IC NE 5532 N |
| I04AB | 358898 | IC MC 33178 2FACH OP | 1 | IC MC 33178 |
| I04CD | 358898 | IC MC 33178 2FACH OP | 1 | IC MC 33178 |
| I05AB | 358898 | IC MC 33178 2FACH OP | 1 | IC MC 33178 |
| I05CD | 358898 | IC MC 33178 2FACH OP | 1 | IC MC 33178 |
| I06AB | 354933 | IC NJM 2068 D DUAL IN | 1 | IC NJM 2068 |
| I06CD | 354933 | IC NJM 2068 D DUAL IN | 1 | IC NJM 2068 |
| I07AB | 354933 | IC NJM 2068 D DUAL IN | 1 | IC NJM 2068 |
| I07CD | 354933 | IC NJM 2068 D DUAL IN | 1 | IC NJM 2068 |
| I08AB | 358661 | IC NJM 2060 D | 1 | IC NJM 2060 |
| I08CD | 358661 | IC NJM 2060 D | 1 | IC NJM 2060 |
| I09AB | 358661 | IC NJM 2060 D | 1 | IC NJM 2060 |
| I09CD | 358661 | IC NJM 2060 D | 1 | IC NJM 2060 |
| I10AB | 358898 | IC MC 33178 2FACH OP | 1 | IC MC 33178 |
| I10CD | 358898 | IC MC 33178 2FACH OP | 1 | IC MC 33178 |
| I11AB | 358898 | IC MC 33178 2FACH OP | 1 | IC MC 33178 |
| I11CD | 358898 | IC MC 33178 2FACH OP | 1 | IC MC 33178 |
| I12AB | 343502 | IC LM 2901 N | 1 | IC LM 2901 |
| I12CD | 343502 | IC LM 2901 N | 1 | IC LM 2901 |
| I17AB | 358898 | IC MC 33178 2FACH OP | 1 | IC MC 33178 |
| I17CD | 358898 | IC MC 33178 2FACH OP | 1 | IC MC 33178 |
| JS001 | 354000 | BUCHSE-FL. XLR 3POL SW | 1 | connector XLR female 3-pole |
| JS002 | 354001 | BUCHSE-KOAXIAL-STEREO | 1 | phone jack stereo |
| JS003 | 354001 | BUCHSE-KOAXIAL-STEREO | 1 | phone jack stereo |
| JS004 | 357432 | BUCHSE-FL. XLR 4POL PRINTB | 1 | connector XLR male 4-pole |
| JS005 | 357432 | BUCHSE-FL. XLR 4POL PRINTB | 1 | connector XLR male 4-pole |
| Q0001 | 306928 | TRANS BC 560 C | 1 | transistor BC 560 C |
| Q0002 | 306928 | TRANS BC 560 C | 1 | transistor BC 560 C |
| Q0003 | 306928 | TRANS BC 560 C | 1 | transistor BC 560 C |
| Q0004 | 306928 | TRANS BC 560 C | 1 | transistor BC 560 C |
| Q0005 | 307430 | TRANS BC 327-25 TO 92 | 1 | transistor BC 327-25 |
| Q0006 | 307430 | TRANS BC 327-25 TO 92 | 1 | transistor BC 327-25 |
| Q001A | 343536 | TRANS 2SA 1084 E TO 92 | 1 | transistor 2SA 1084 E |
| Q002A | 343536 | TRANS 2SA 1084 E TO 92 | 1 | transistor 2SA 1084 E |
| Q003A | 348421 | TRANS 2N 3906 | 1 | transistor 2N 3906 |
| Q004A | 348421 | TRANS 2N 3906 | 1 | transistor 2N 3906 |
| Q005A | 348421 | TRANS 2N 3906 | 1 | transistor 2N 3906 |
| R01AB | 340299 | WI-SI 2.20 OHM 0.30W 5% | 1 | safety resistor 2.20 Ohm |
| R01CD | 340299 | WI-SI 2.20 OHM 0.30W 5% | 1 | safety resistor 2.20 Ohm |
| R0141 | 340299 | WI-SI 2.20 OHM 0.30W 5% | 1 | safety resistor 2.20 Ohm |

| Pos. Nr. Ref. No. | Best. Nr. Part No. | Bezeichnung | Qty | Description |
|----------------------|-----------------------|--------------------------|-----|--------------------------|
| R0142 | 340299 | WI-SI 2.20 OHM 0.30W 5% | 1 | safety resistor 2.20 Ohm |
| R02AB | 340299 | WI-SI 2.20 OHM 0.30W 5% | 1 | safety resistor 2.20 Ohm |
| R02CD | 340299 | WI-SI 2.20 OHM 0.30W 5% | 1 | safety resistor 2.20 Ohm |
| R0209 | 340299 | WI-SI 2.20 OHM 0.30W 5% | 1 | safety resistor 2.20 Ohm |
| R0210 | 340299 | WI-SI 2.20 OHM 0.30W 5% | 1 | safety resistor 2.20 Ohm |
| S0001 | 357447 | SCHALTER-TAST 4XUM | 1 | switch 4pdt |
| S0007 | 357447 | SCHALTER-TAST 4XUM | 1 | switch 4pdt |
| S0008 | 357446 | SCHALTER-TAST 2XUM | 1 | switch dpdt |
| S0009 | 357447 | SCHALTER-TAST 4XUM | 1 | switch 4pdt |
| S001A | 357446 | SCHALTER-TAST 2XUM | 1 | switch dpdt |
| S0010 | 357446 | SCHALTER-TAST 2XUM | 1 | switch dpdt |
| S0011 | 357446 | SCHALTER-TAST 2XUM | 1 | switch dpdt |
| S0012 | 357447 | SCHALTER-TAST 4XUM | 1 | switch 4pdt |
| S0013 | 357446 | SCHALTER-TAST 2XUM | 1 | switch dpdt |
| S0014 | 357446 | SCHALTER-TAST 2XUM | 1 | switch dpdt |
| S0015 | 357447 | SCHALTER-TAST 4XUM | 1 | switch 4pdt |
| S0016 | 357446 | SCHALTER-TAST 2XUM | 1 | switch dpdt |
| S0017 | 357447 | SCHALTER-TAST 4XUM | 1 | switch 4pdt |
| S0018 | 357446 | SCHALTER-TAST 2XUM | 1 | switch dpdt |
| S0019 | 357447 | SCHALTER-TAST 4XUM | 1 | switch 4pdt |
| S002A | 357446 | SCHALTER-TAST 2XUM | 1 | switch dpdt |
| S0020 | 357446 | SCHALTER-TAST 2XUM | 1 | switch dpdt |
| S0021 | 357446 | SCHALTER-TAST 2XUM | 1 | switch dpdt |
| S0022 | 357447 | SCHALTER-TAST 4XUM | 1 | switch 4pdt |
| S0023 | 357446 | SCHALTER-TAST 2XUM | 1 | switch dpdt |
| S0024 | 357447 | SCHALTER-TAST 4XUM | 1 | switch 4pdt |
| S0025 | 357446 | SCHALTER-TAST 2XUM | 1 | switch dpdt |
| S0026 | 357446 | SCHALTER-TAST 2XUM | 1 | switch dpdt |
| S0027 | 357447 | SCHALTER-TAST 4XUM | 1 | switch 4pdt |
| S0028 | 357446 | SCHALTER-TAST 2XUM | 1 | switch dpdt |
| S0029 | 357446 | SCHALTER-TAST 2XUM | 1 | switch dpdt |
| S003A | 357447 | SCHALTER-TAST 4XUM | 1 | switch 4pdt |
| S0030 | 357447 | SCHALTER-TAST 4XUM | 1 | switch 4pdt |
| S0031 | 357445 | SCHALTER-TAST 2XUM | 1 | switch dpdt |
| S0032 | 357445 | SCHALTER-TAST 2XUM | 1 | switch dpdt |
| S0033 | 357445 | SCHALTER-TAST 2XUM | 1 | switch dpdt |
| S0034 | 357445 | SCHALTER-TAST 2XUM | 1 | switch dpdt |
| S0035 | 357447 | SCHALTER-TAST 4XUM | 1 | switch 4pdt |
| S0036 | 357447 | SCHALTER-TAST 4XUM | 1 | switch 4pdt |
| S0037 | 357446 | SCHALTER-TAST 2XUM | 1 | switch dpdt |
| S0038 | 357446 | SCHALTER-TAST 2XUM | 1 | switch dpdt |
| S0039 | 357446 | SCHALTER-TAST 2XUM | 1 | switch dpdt |
| S004A | 357447 | SCHALTER-TAST 4XUM | 1 | switch 4pdt |
| S0041 | 357447 | SCHALTER-TAST 4XUM | 1 | switch 4pdt |
| S0042 | 357446 | SCHALTER-TAST 2XUM | 1 | switch dpdt |
| S0043 | 357446 | SCHALTER-TAST 2XUM | 1 | switch dpdt |
| S0044 | 357446 | SCHALTER-TAST 2XUM | 1 | switch dpdt |
| S005A | 357446 | SCHALTER-TAST 2XUM | 1 | switch dpdt |
| S006A | 357446 | SCHALTER-TAST 2XUM | 1 | switch dpdt |
| S007A | 357446 | SCHALTER-TAST 2XUM | 1 | switch dpdt |
| VR01A | 357442 | P-DREH 2X 5KOHM LIN/LOG- | 1 | pot 2x5k Ohm |
| VR015 | 357444 | P-SHIB 2X 50KOHM LOG+ | 1 | fader 2x50k Ohm |
| VR016 | 357434 | P-DREH 2X 50KOHM LOG+ | 1 | pot 2x50k Ohm |

| Pos. Nr. Ref. No. | Best. Nr. Part No. | Bezeichnung | Qty | Description |
|----------------------|-----------------------|---------------------------------|----------|----------------------------------|
| VR017 | 352327 | P-DREH 2X 10KOHM LOG+/LOG- | 1 | pot 2x10k Ohm |
| VR018 | 357436 | P-DREH 2X 50KOHM LOG- | 1 | pot 2x50k Ohm |
| VR019 | 357436 | P-DREH 2X 50KOHM LOG- | 1 | pot 2x50k Ohm |
| VR02A | 357433 | P-DREH 2X 50KOHM LOG- | 1 | pot 2x50k Ohm |
| VR020 | 357436 | P-DREH 2X 50KOHM LOG- | 1 | pot 2x50k Ohm |
| VR021 | 357436 | P-DREH 2X 50KOHM LOG- | 1 | pot 2x50k Ohm |
| VR022 | 357443 | P-SHIB 10KOHM LOG+ | 1 | fader 10k Ohm |
| VR023 | 352327 | P-DREH 2X 10KOHM LOG+/LOG- | 1 | pot 2x10k Ohm |
| VR024 | 357443 | P-SHIB 10KOHM LOG+ | 1 | fader 10k Ohm |
| VR025 | 352327 | P-DREH 2X 10KOHM LOG+/LOG- | 1 | pot 2x10k Ohm |
| VR026 | 357443 | P-SHIB 10KOHM LOG+ | 1 | fader 10k Ohm |
| VR027 | 352327 | P-DREH 2X 10KOHM LOG+/LOG- | 1 | pot 2x10k Ohm |
| VR028 | 357443 | P-SHIB 10KOHM LOG+ | 1 | fader 10k Ohm |
| VR029 | 352327 | P-DREH 2X 10KOHM LOG+/LOG- | 1 | pot 2x10k Ohm |
| VR03A | 357440 | P-DREH 2X 50KOHM LIN | 1 | pot 2x50k Ohm |
| VR030 | 357443 | P-SHIB 10KOHM LOG+ | 1 | fader 10k Ohm |
| VR031 | 357443 | P-SHIB 10KOHM LOG+ | 1 | fader 10k Ohm |
| VR032 | 357437 | P-DREH 50KOHM LOG- | 1 | pot 50k Ohm |
| VR033 | 357437 | P-DREH 50KOHM LOG- | 1 | pot 50k Ohm |
| VR034 | 357437 | P-DREH 50KOHM LOG- | 1 | pot 50k Ohm |
| VR035 | 357437 | P-DREH 50KOHM LOG- | 1 | pot 50k Ohm |
| VR036 | 357433 | P-DREH 2X 50KOHM LOG- | 1 | pot 2x50k Ohm |
| VR037 | 357437 | P-DREH 50KOHM LOG- | 1 | pot 50k Ohm |
| VR038 | 357433 | P-DREH 2X 50KOHM LOG- | 1 | pot 2x50k Ohm |
| VR039 | 357437 | P-DREH 50KOHM LOG- | 1 | pot 50k Ohm |
| VR04A | 357438 | P-DREH 2X 20KOHM LIN | 1 | pot 2x20k OHm |
| VR040 | 357444 | P-SHIB 2X 50KOHM LOG+ | 1 | fader 2x50k Ohm |
| VR041 | 357437 | P-DREH 50KOHM LOG- | 1 | pot 50k Ohm |
| VR042 | 357437 | P-DREH 50KOHM LOG- | 1 | pot 50k Ohm |
| VR043 | 357444 | P-SHIB 2X 50KOHM LOG+ | 1 | fader 2x50k Ohm |
| VR044 | 357437 | P-DREH 50KOHM LOG- | 1 | pot 50k Ohm |
| VR045 | 357437 | P-DREH 50KOHM LOG- | 1 | pot 50k Ohm |
| VR047 | 357437 | P-DREH 50KOHM LOG- | 1 | pot 50k Ohm |
| VR05A | 357438 | P-DREH 2X 20KOHM LIN | 1 | pot 2x20k OHm |
| VR06A | 357440 | P-DREH 2X 50KOHM LIN | 1 | pot 2x50k Ohm |
| VR07A | 357444 | P-SHIB 2X 50KOHM LOG+ | 1 | fader 2x50k Ohm |
| VR08A | 358685 | P-DREH 2X 10KOHM LOG-/LOG+ | 1 | pot 2x10k Ohm |
| VR09A | 357437 | P-DREH 50KOHM LOG- | 1 | pot 50k Ohm |
| VR10A | 357437 | P-DREH 50KOHM LOG- | 1 | pot 50k Ohm |
| VR11A | 357437 | P-DREH 50KOHM LOG- | 1 | pot 50k Ohm |
| VR12A | 357437 | P-DREH 50KOHM LOG- | 1 | pot 50k Ohm |
| VR13A | 357436 | P-DREH 2X 50KOHM LOG- | 1 | pot 2x50k Ohm |
| VR14A | 357436 | P-DREH 2X 50KOHM LOG- | 1 | pot 2x50k Ohm |
| | | | | |
| | 862698 | PCBAR#VENICE 160/240/320 | 1 | pcb assy 86269 connectors |
| | | | | |
| CN00L | 329022 | FL.STECKER 6.3/0.8 | 1 | connector 6.3mm faston |
| CN002 | 344975 | MESSERLST. 10POL | 1 | connector male 10-pin |
| CN009 | 341937 | MESSERLST. 4POL | 1 | connector male 4-pin |
| CN01A | 346759 | MESSERLST. 18POL | 1 | connector male 18-pin |
| CN017 | 344862 | MESSERLST. 8POL | 1 | connector male 8-pin |
| CN018 | 344862 | MESSERLST. 8POL | 1 | connector male 8-pin |
| CN020 | 348802 | MESSERLST. 12POL | 1 | connector male 12-pin |

| Pos. Nr. Ref. No. | Best. Nr. Part No. | Bezeichnung | Qty | Description |
|----------------------|-----------------------|-------------------------|-----|----------------------------|
| CN024 | 348802 | MESSERLST. 12POL | 1 | connector male 12-pin |
| CN025 | 348802 | MESSERLST. 12POL | 1 | connector male 12-pin |
| CN026 | 344975 | MESSERLST. 10POL | 1 | connector male 10-pin |
| CN09A | 341937 | MESSERLST. 4POL | 1 | connector male 4-pin |
| CN100 | 329022 | FL.STECKER 6.3/0.8 | 1 | connector 6.3mm faston |
| CN120 | 329022 | FL.STECKER 6.3/0.8 | 1 | connector 6.3mm faston |
| CN230 | 329022 | FL.STECKER 6.3/0.8 | 1 | connector 6.3mm faston |
| CN240 | 329022 | FL.STECKER 6.3/0.8 | 1 | connector 6.3mm faston |
| C0001 | 340524 | KO-EL 100.000MF 16V | 1 | cap electrolytic 100uF/16V |
| C0002 | 301558 | KO-KER 33.0PF 100V 2% | 1 | cap ceramic 33pF |
| C0003 | 301558 | KO-KER 33.0PF 100V 2% | 1 | cap ceramic 33pF |
| C0004 | 340524 | KO-EL 100.000MF 16V | 1 | cap electrolytic 100uF/16V |
| C0005 | 340524 | KO-EL 100.000MF 16V | 1 | cap electrolytic 100uF/16V |
| C0006 | 345461 | KO-KER 680.0PF 100V 10% | 1 | cap ceramic 680pF |
| C0007 | 345461 | KO-KER 680.0PF 100V 10% | 1 | cap ceramic 680pF |
| C0008 | 340524 | KO-EL 100.000MF 16V | 1 | cap electrolytic 100uF/16V |
| C0009 | 301558 | KO-KER 33.0PF 100V 2% | 1 | cap ceramic 33pF |
| C0011 | 345461 | KO-KER 680.0PF 100V 10% | 1 | cap ceramic 680pF |
| C0010 | 301558 | KO-KER 33.0PF 100V 2% | 1 | cap ceramic 33pF |
| C0011 | 340524 | KO-EL 100.000MF 16V | 1 | cap electrolytic 100uF/16V |
| C0012 | 340524 | KO-EL 100.000MF 16V | 1 | cap electrolytic 100uF/16V |
| C0013 | 345461 | KO-KER 680.0PF 100V 10% | 1 | cap ceramic 680pF |
| C0014 | 345461 | KO-KER 680.0PF 100V 10% | 1 | cap ceramic 680pF |
| C0015 | 340524 | KO-EL 100.000MF 16V | 1 | cap electrolytic 100uF/16V |
| C0016 | 301558 | KO-KER 33.0PF 100V 2% | 1 | cap ceramic 33pF |
| C0017 | 301558 | KO-KER 33.0PF 100V 2% | 1 | cap ceramic 33pF |
| C0018 | 340524 | KO-EL 100.000MF 16V | 1 | cap electrolytic 100uF/16V |
| C0019 | 340524 | KO-EL 100.000MF 16V | 1 | cap electrolytic 100uF/16V |
| C0021 | 343530 | KO-EL 47.000MF 50V | 1 | cap electrolytic 47uF/50V |
| C0020 | 345461 | KO-KER 680.0PF 100V 10% | 1 | cap ceramic 680pF |
| C0021 | 345461 | KO-KER 680.0PF 100V 10% | 1 | cap ceramic 680pF |
| C0022 | 340524 | KO-EL 100.000MF 16V | 1 | cap electrolytic 100uF/16V |
| C0023 | 301558 | KO-KER 33.0PF 100V 2% | 1 | cap ceramic 33pF |
| C0024 | 301558 | KO-KER 33.0PF 100V 2% | 1 | cap ceramic 33pF |
| C0025 | 340524 | KO-EL 100.000MF 16V | 1 | cap electrolytic 100uF/16V |
| C0026 | 340524 | KO-EL 100.000MF 16V | 1 | cap electrolytic 100uF/16V |
| C0027 | 345461 | KO-KER 680.0PF 100V 10% | 1 | cap ceramic 680pF |
| C0028 | 345461 | KO-KER 680.0PF 100V 10% | 1 | cap ceramic 680pF |
| C003A | 345461 | KO-KER 680.0PF 100V 10% | 1 | cap ceramic 680pF |
| C0031 | 343530 | KO-EL 47.000MF 50V | 1 | cap electrolytic 47uF/50V |
| C0030 | 301558 | KO-KER 33.0PF 100V 2% | 1 | cap ceramic 33pF |
| C0031 | 301558 | KO-KER 33.0PF 100V 2% | 1 | cap ceramic 33pF |
| C0032 | 340524 | KO-EL 100.000MF 16V | 1 | cap electrolytic 100uF/16V |
| C0033 | 340524 | KO-EL 100.000MF 16V | 1 | cap electrolytic 100uF/16V |
| C0034 | 345461 | KO-KER 680.0PF 100V 10% | 1 | cap ceramic 680pF |
| C0035 | 345461 | KO-KER 680.0PF 100V 10% | 1 | cap ceramic 680pF |
| C0036 | 329021 | KO-KER 0.10MF 100V 20% | 1 | cap ceramic 100nF |
| C0037 | 301558 | KO-KER 33.0PF 100V 2% | 1 | cap ceramic 33pF |
| C0038 | 301558 | KO-KER 33.0PF 100V 2% | 1 | cap ceramic 33pF |
| C0039 | 340524 | KO-EL 100.000MF 16V | 1 | cap electrolytic 100uF/16V |
| C004A | 343530 | KO-EL 47.000MF 50V | 1 | cap electrolytic 47uF/50V |
| C004I | 301543 | KO-KER 330.0PF 500V 10% | 1 | cap ceramic 330pF |
| C0040 | 340524 | KO-EL 100.000MF 16V | 1 | cap electrolytic 100uF/16V |

| Pos. Nr. Ref. No. | Best. Nr. Part No. | Bezeichnung | Qty | Description |
|----------------------|-----------------------|-------------------------|-----|----------------------------|
| C0041 | 345461 | KO-KER 680.0PF 100V 10% | 1 | cap ceramic 680pF |
| C0042 | 345461 | KO-KER 680.0PF 100V 10% | 1 | cap ceramic 680pF |
| C0044 | 301558 | KO-KER 33.0PF 100V 2% | 1 | cap ceramic 33pF |
| C0045 | 301558 | KO-KER 33.0PF 100V 2% | 1 | cap ceramic 33pF |
| C0046 | 340524 | KO-EL 100.000MF 16V | 1 | cap electrolytic 100uF/16V |
| C0047 | 340524 | KO-EL 100.000MF 16V | 1 | cap electrolytic 100uF/16V |
| C0048 | 345461 | KO-KER 680.0PF 100V 10% | 1 | cap ceramic 680pF |
| C0049 | 345461 | KO-KER 680.0PF 100V 10% | 1 | cap ceramic 680pF |
| C005A | 343530 | KO-EL 47.000MF 50V | 1 | cap electrolytic 47uF/50V |
| C005I | 340521 | KO-EL 2.200MF 50V | 1 | cap electrolytic 2.2uF/50V |
| C0050 | 329021 | KO-KER 0.10MF 100V 20% | 1 | cap ceramic 100nF |
| C0051 | 301558 | KO-KER 33.0PF 100V 2% | 1 | cap ceramic 33pF |
| C0052 | 301558 | KO-KER 33.0PF 100V 2% | 1 | cap ceramic 33pF |
| C0053 | 340524 | KO-EL 100.000MF 16V | 1 | cap electrolytic 100uF/16V |
| C0054 | 340524 | KO-EL 100.000MF 16V | 1 | cap electrolytic 100uF/16V |
| C0055 | 345461 | KO-KER 680.0PF 100V 10% | 1 | cap ceramic 680pF |
| C0056 | 345461 | KO-KER 680.0PF 100V 10% | 1 | cap ceramic 680pF |
| C0057 | 329021 | KO-KER 0.10MF 100V 20% | 1 | cap ceramic 100nF |
| C0058 | 329021 | KO-KER 0.10MF 100V 20% | 1 | cap ceramic 100nF |
| C0059 | 329021 | KO-KER 0.10MF 100V 20% | 1 | cap ceramic 100nF |
| C006A | 301543 | KO-KER 330.0PF 500V 10% | 1 | cap ceramic 330pF |
| C0060 | 329021 | KO-KER 0.10MF 100V 20% | 1 | cap ceramic 100nF |
| C0061 | 329021 | KO-KER 0.10MF 100V 20% | 1 | cap ceramic 100nF |
| C0062 | 329021 | KO-KER 0.10MF 100V 20% | 1 | cap ceramic 100nF |
| C0063 | 329021 | KO-KER 0.10MF 100V 20% | 1 | cap ceramic 100nF |
| C0064 | 329021 | KO-KER 0.10MF 100V 20% | 1 | cap ceramic 100nF |
| C0069 | 345461 | KO-KER 680.0PF 100V 10% | 1 | cap ceramic 680pF |
| C007A | 345461 | KO-KER 680.0PF 100V 10% | 1 | cap ceramic 680pF |
| C0070 | 345461 | KO-KER 680.0PF 100V 10% | 1 | cap ceramic 680pF |
| C0071 | 345461 | KO-KER 680.0PF 100V 10% | 1 | cap ceramic 680pF |
| C0072 | 345461 | KO-KER 680.0PF 100V 10% | 1 | cap ceramic 680pF |
| C0073 | 345461 | KO-KER 680.0PF 100V 10% | 1 | cap ceramic 680pF |
| C0074 | 345461 | KO-KER 680.0PF 100V 10% | 1 | cap ceramic 680pF |
| C0075 | 345461 | KO-KER 680.0PF 100V 10% | 1 | cap ceramic 680pF |
| C0076 | 345461 | KO-KER 680.0PF 100V 10% | 1 | cap ceramic 680pF |
| C0077 | 329021 | KO-KER 0.10MF 100V 20% | 1 | cap ceramic 100nF |
| C008A | 345461 | KO-KER 680.0PF 100V 10% | 1 | cap ceramic 680pF |
| C0080 | 345461 | KO-KER 680.0PF 100V 10% | 1 | cap ceramic 680pF |
| C0081 | 345461 | KO-KER 680.0PF 100V 10% | 1 | cap ceramic 680pF |
| C0082 | 329021 | KO-KER 0.10MF 100V 20% | 1 | cap ceramic 100nF |
| C0085 | 345461 | KO-KER 680.0PF 100V 10% | 1 | cap ceramic 680pF |
| C0086 | 345461 | KO-KER 680.0PF 100V 10% | 1 | cap ceramic 680pF |
| C0089 | 345461 | KO-KER 680.0PF 100V 10% | 1 | cap ceramic 680pF |
| C009A | 340522 | KO-EL 10.000MF 35V | 1 | cap electrolytic 10uF/35V |
| C009I | 345461 | KO-KER 680.0PF 100V 10% | 1 | cap ceramic 680pF |
| C0090 | 345461 | KO-KER 680.0PF 100V 10% | 1 | cap ceramic 680pF |
| C0093 | 345461 | KO-KER 680.0PF 100V 10% | 1 | cap ceramic 680pF |
| C0094 | 345461 | KO-KER 680.0PF 100V 10% | 1 | cap ceramic 680pF |
| C0095 | 329021 | KO-KER 0.10MF 100V 20% | 1 | cap ceramic 100nF |
| C0096 | 345461 | KO-KER 680.0PF 100V 10% | 1 | cap ceramic 680pF |
| C0097 | 345461 | KO-KER 680.0PF 100V 10% | 1 | cap ceramic 680pF |
| C0098 | 345461 | KO-KER 680.0PF 100V 10% | 1 | cap ceramic 680pF |
| C0099 | 345461 | KO-KER 680.0PF 100V 10% | 1 | cap ceramic 680pF |

| Pos. Nr. Ref. No. | Best. Nr. Part No. | Bezeichnung | Qty | Description |
|----------------------|-----------------------|-----------------------------|-----|----------------------------|
| C010A | 340522 | KO-EL 10.000MF 35V | 1 | cap electrolytic 10uF/35V |
| C010I | 345461 | KO-KER 680.0PF 100V 10% | 1 | cap ceramic 680pF |
| C0100 | 329021 | KO-KER 0.10MF 100V 20% | 1 | cap ceramic 100nF |
| C0101 | 345461 | KO-KER 680.0PF 100V 10% | 1 | cap ceramic 680pF |
| C0102 | 345461 | KO-KER 680.0PF 100V 10% | 1 | cap ceramic 680pF |
| C0103 | 345461 | KO-KER 680.0PF 100V 10% | 1 | cap ceramic 680pF |
| C0104 | 345461 | KO-KER 680.0PF 100V 10% | 1 | cap ceramic 680pF |
| C0105 | 345461 | KO-KER 680.0PF 100V 10% | 1 | cap ceramic 680pF |
| C0106 | 345461 | KO-KER 680.0PF 100V 10% | 1 | cap ceramic 680pF |
| C0107 | 345461 | KO-KER 680.0PF 100V 10% | 1 | cap ceramic 680pF |
| C0108 | 345461 | KO-KER 680.0PF 100V 10% | 1 | cap ceramic 680pF |
| C0109 | 345461 | KO-KER 680.0PF 100V 10% | 1 | cap ceramic 680pF |
| C0110 | 345461 | KO-KER 680.0PF 100V 10% | 1 | cap ceramic 680pF |
| C0111 | 345461 | KO-KER 680.0PF 100V 10% | 1 | cap ceramic 680pF |
| C0112 | 345461 | KO-KER 680.0PF 100V 10% | 1 | cap ceramic 680pF |
| C0113 | 345461 | KO-KER 680.0PF 100V 10% | 1 | cap ceramic 680pF |
| C0114 | 345461 | KO-KER 680.0PF 100V 10% | 1 | cap ceramic 680pF |
| C0115 | 345461 | KO-KER 680.0PF 100V 10% | 1 | cap ceramic 680pF |
| C0116 | 345461 | KO-KER 680.0PF 100V 10% | 1 | cap ceramic 680pF |
| C0117 | 329021 | KO-KER 0.10MF 100V 20% | 1 | cap ceramic 100nF |
| C0118 | 329021 | KO-KER 0.10MF 100V 20% | 1 | cap ceramic 100nF |
| C0119 | 329021 | KO-KER 0.10MF 100V 20% | 1 | cap ceramic 100nF |
| C012A | 345461 | KO-KER 680.0PF 100V 10% | 1 | cap ceramic 680pF |
| C0120 | 329021 | KO-KER 0.10MF 100V 20% | 1 | cap ceramic 100nF |
| C013A | 345461 | KO-KER 680.0PF 100V 10% | 1 | cap ceramic 680pF |
| C014A | 340521 | KO-EL 2.200MF 50V | 1 | cap electrolytic 2.2uF/50V |
| D0001 | 301254 | DIODE 1N 4148 AXIAL | 1 | diode 1N 4148 |
| D0002 | 301254 | DIODE 1N 4148 AXIAL | 1 | diode 1N 4148 |
| D001A | 304360 | DIODE 1N 4007 GEGURTET | 1 | diode 1N 4002 |
| D002A | 304360 | DIODE 1N 4007 GEGURTET | 1 | diode 1N 4002 |
| D003A | 304360 | DIODE 1N 4007 GEGURTET | 1 | diode 1N 4002 |
| D004A | 304360 | DIODE 1N 4007 GEGURTET | 1 | diode 1N 4002 |
| D005A | 357450 | LED GE 3MM LY 3369-EH | 1 | led yellow |
| E0001 | 357448 | RELAIS | 1 | relay |
| E0002 | 357448 | RELAIS | 1 | relay |
| E0003 | 357448 | RELAIS | 1 | relay |
| E0004 | 357448 | RELAIS | 1 | relay |
| E0005 | 357448 | RELAIS | 1 | relay |
| E0006 | 357448 | RELAIS | 1 | relay |
| E0007 | 357448 | RELAIS | 1 | relay |
| E0008 | 357448 | RELAIS | 1 | relay |
| FT01A | 357449 | KO-SO 1000PF 100V FILTER | 1 | rf capacitor 1nF/100V |
| FT02A | 357449 | KO-SO 1000PF 100V FILTER | 1 | rf capacitor 1nF/100V |
| I0001 | 327197 | IC NE 5532 P 2FACH OP | 1 | IC NE 5532 N |
| I0002 | 327197 | IC NE 5532 P 2FACH OP | 1 | IC NE 5532 N |
| I0003 | 327197 | IC NE 5532 P 2FACH OP | 1 | IC NE 5532 N |
| I0004 | 327197 | IC NE 5532 P 2FACH OP | 1 | IC NE 5532 N |
| I0005 | 327197 | IC NE 5532 P 2FACH OP | 1 | IC NE 5532 N |
| I0006 | 327197 | IC NE 5532 P 2FACH OP | 1 | IC NE 5532 N |
| I0007 | 327197 | IC NE 5532 P 2FACH OP | 1 | IC NE 5532 N |
| I0008 | 327197 | IC NE 5532 P 2FACH OP | 1 | IC NE 5532 N |
| JS001 | 357371 | STECKER-FL. XLR 3POL PRINTB | 1 | connector XLR male 3-pin |
| JS002 | 357371 | STECKER-FL. XLR 3POL PRINTB | 1 | connector XLR male 3-pin |

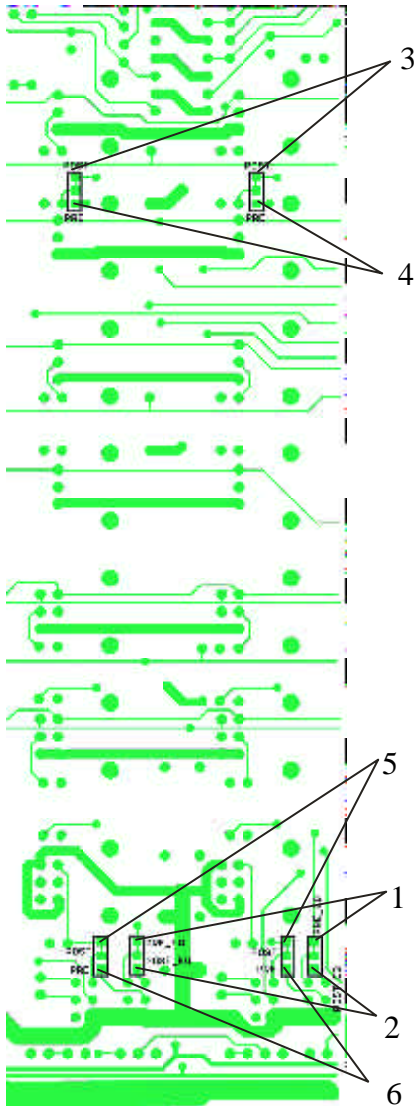
| Pos. Nr. Ref. No. | Best. Nr. Part No. | Bezeichnung | Qty | Description |
|----------------------|-----------------------|-----------------------------|----------|----------------------------------|
| JS003 | 357371 | STECKER-FL. XLR 3POL PRINTB | 1 | connector XLR male 3-pin |
| JS004 | 357371 | STECKER-FL. XLR 3POL PRINTB | 1 | connector XLR male 3-pin |
| JS005 | 357371 | STECKER-FL. XLR 3POL PRINTB | 1 | connector XLR male 3-pin |
| JS006 | 357371 | STECKER-FL. XLR 3POL PRINTB | 1 | connector XLR male 3-pin |
| JS007 | 357371 | STECKER-FL. XLR 3POL PRINTB | 1 | connector XLR male 3-pin |
| JS008 | 357371 | STECKER-FL. XLR 3POL PRINTB | 1 | connector XLR male 3-pin |
| JS009 | 354001 | BUCHSE-KOAXIAL-STEREO | 1 | phone jack stereo |
| JS01A | 354000 | BUCHSE-FL. XLR 3POL SW | 1 | connector XLR female 3-pole |
| JS010 | 354001 | BUCHSE-KOAXIAL-STEREO | 1 | phone jack stereo |
| JS011 | 354001 | BUCHSE-KOAXIAL-STEREO | 1 | phone jack stereo |
| JS012 | 354001 | BUCHSE-KOAXIAL-STEREO | 1 | phone jack stereo |
| JS013 | 354002 | BUCHSE-CINCH 4X CINCH | 1 | connector cinch |
| JS014 | 354001 | BUCHSE-KOAXIAL-STEREO | 1 | phone jack stereo |
| JS015 | 354001 | BUCHSE-KOAXIAL-STEREO | 1 | phone jack stereo |
| JS016 | 354001 | BUCHSE-KOAXIAL-STEREO | 1 | phone jack stereo |
| JS017 | 354001 | BUCHSE-KOAXIAL-STEREO | 1 | phone jack stereo |
| JS018 | 354001 | BUCHSE-KOAXIAL-STEREO | 1 | phone jack stereo |
| JS019 | 354001 | BUCHSE-KOAXIAL-STEREO | 1 | phone jack stereo |
| JS02A | 354001 | BUCHSE-KOAXIAL-STEREO | 1 | phone jack stereo |
| JS020 | 354001 | BUCHSE-KOAXIAL-STEREO | 1 | phone jack stereo |
| JS021 | 354001 | BUCHSE-KOAXIAL-STEREO | 1 | phone jack stereo |
| JS022 | 354001 | BUCHSE-KOAXIAL-STEREO | 1 | phone jack stereo |
| JS023 | 354001 | BUCHSE-KOAXIAL-STEREO | 1 | phone jack stereo |
| JS024 | 354001 | BUCHSE-KOAXIAL-STEREO | 1 | phone jack stereo |
| JS025 | 354001 | BUCHSE-KOAXIAL-STEREO | 1 | phone jack stereo |
| JS026 | 354001 | BUCHSE-KOAXIAL-STEREO | 1 | phone jack stereo |
| JS027 | 354001 | BUCHSE-KOAXIAL-STEREO | 1 | phone jack stereo |
| JS028 | 354001 | BUCHSE-KOAXIAL-STEREO | 1 | phone jack stereo |
| JS029 | 354001 | BUCHSE-KOAXIAL-STEREO | 1 | phone jack stereo |
| JS03A | 354001 | BUCHSE-KOAXIAL-STEREO | 1 | phone jack stereo |
| JS030 | 354001 | BUCHSE-KOAXIAL-STEREO | 1 | phone jack stereo |
| JS031 | 354001 | BUCHSE-KOAXIAL-STEREO | 1 | phone jack stereo |
| JS04A | 354001 | BUCHSE-KOAXIAL-STEREO | 1 | phone jack stereo |
| S0001 | 340434 | SCHALTER-SCHIEBE 2XUM | 1 | switch slide dpdt |
| S0002 | 340434 | SCHALTER-SCHIEBE 2XUM | 1 | switch slide dpdt |
| S001A | 354006 | SCHALTER-RAST 2XUM | 1 | switch dpdt |
| VR001 | 356753 | WI-TRI 5.00 KOHM LIN | 1 | trim pot 5k Ohm |
| VR002 | 356753 | WI-TRI 5.00 KOHM LIN | 1 | trim pot 5k Ohm |
| VR003 | 356753 | WI-TRI 5.00 KOHM LIN | 1 | trim pot 5k Ohm |
| VR004 | 356753 | WI-TRI 5.00 KOHM LIN | 1 | trim pot 5k Ohm |
| VR005 | 356753 | WI-TRI 5.00 KOHM LIN | 1 | trim pot 5k Ohm |
| VR006 | 356753 | WI-TRI 5.00 KOHM LIN | 1 | trim pot 5k Ohm |
| VR007 | 356753 | WI-TRI 5.00 KOHM LIN | 1 | trim pot 5k Ohm |
| VR008 | 356753 | WI-TRI 5.00 KOHM LIN | 1 | trim pot 5k Ohm |
| | | | | |
| | 862708 | PCBAR#VENICE 240/320 | 1 | pcb assy 86270 conn. ext. |
| | | | | |
| CN001 | 346759 | MESSERLST. 18POL | 1 | connector male 18-pin |
| CN002 | 346759 | MESSERLST. 18POL | 1 | connector male 18-pin |
| CN003 | 346759 | MESSERLST. 18POL | 1 | connector male 18-pin |
| CN004 | 346759 | MESSERLST. 18POL | 1 | connector male 18-pin |
| CN009 | 341937 | MESSERLST. 4POL | 1 | connector male 4-pin |
| C003A | 345461 | KO-KER 680.0PF 100V 10% | 1 | cap ceramic 680pF |

| Pos. Nr. Ref. No. | Best. Nr. Part No. | Bezeichnung | Qty | Description |
|----------------------|-----------------------|--------------------------|-----|-----------------------------|
| C004A | 343530 | KO-EL 47.000MF 50V | 1 | cap electrolytic 47uF/50V |
| C005A | 343530 | KO-EL 47.000MF 50V | 1 | cap electrolytic 47uF/50V |
| C006A | 301543 | KO-KER 330.0PF 500V 10% | 1 | cap ceramic 330pF |
| C007A | 345461 | KO-KER 680.0PF 100V 10% | 1 | cap ceramic 680pF |
| C008A | 345461 | KO-KER 680.0PF 100V 10% | 1 | cap ceramic 680pF |
| C009A | 340522 | KO-EL 10.000MF 35V | 1 | cap electrolytic 10uF/35V |
| C010A | 340522 | KO-EL 10.000MF 35V | 1 | cap electrolytic 10uF/35V |
| C012A | 345461 | KO-KER 680.0PF 100V 10% | 1 | cap ceramic 680pF |
| C013A | 345461 | KO-KER 680.0PF 100V 10% | 1 | cap ceramic 680pF |
| C014A | 340521 | KO-EL 2.200MF 50V | 1 | cap electrolytic 2.2uF/50V |
| D001A | 304360 | DIODE 1N 4007 GEGURTET | 1 | diode 1N 4002 |
| D002A | 304360 | DIODE 1N 4007 GEGURTET | 1 | diode 1N 4002 |
| D003A | 304360 | DIODE 1N 4007 GEGURTET | 1 | diode 1N 4002 |
| D004A | 304360 | DIODE 1N 4007 GEGURTET | 1 | diode 1N 4002 |
| D005A | 357450 | LED GE 3MM LY 3369-EH | 1 | led yellow |
| FT01A | 357449 | KO-SO 1000PF 100V FILTER | 1 | rf capacitor 1nF/100V |
| FT02A | 357449 | KO-SO 1000PF 100V FILTER | 1 | rf capacitor 1nF/100V |
| JS01A | 354000 | BUCHSE-FL. XLR 3POL SW | 1 | connector XLR female 3-pole |
| JS02A | 354001 | BUCHSE-KOAXIAL-STEREO | 1 | phone jack stereo |
| JS03A | 354001 | BUCHSE-KOAXIAL-STEREO | 1 | phone jack stereo |
| JS04A | 354001 | BUCHSE-KOAXIAL-STEREO | 1 | phone jack stereo |
| Q0003 | 348423 | TRANS MPSA 92 | 1 | transistor MPSA 92 |
| S001A | 354006 | SCHALTER-RAST 2XUM | 1 | switch dpdt |

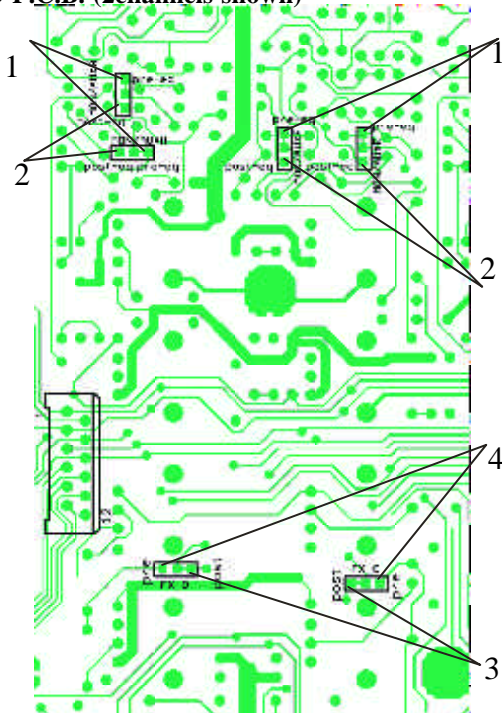
| Ersatzteilliste - Bill of Materials | | | | |
|-------------------------------------|-----------------------|----------------------------|-----|---|
| | | | | |
| | 173051 | VENICE 320 100V | | |
| | 173052 | VENICE 320 120V | | |
| | 173022 | VENICE 320 230V | | |
| | 173054 | VENICE 320 240V | | |
| Pos. Nr. Ref. No. | Best. Nr. Part No. | Bezeichnung | Qty | Description |
| | | Zubehör | | Accessories & packaging material |
| | 359941 | BEDIENUNGSANL. VENICE | 1 | owner's manual VENICE |
| | 346832 | KABEL-NETZ UL/CSA 10A/125V | 1 | power cable US |
| | 302587 | SICHER T 3.150 A/250V | 1 | fuse 3.15A slow blow |
| | 328391 | SICHER-HALTER-KAPPE FEK | 1 | fuse holder carrier |
| | 360004 | SCHUTZBEZUG VENICE 320 | 1 | dust cover VENICE 320 |
| | 360214 | KRT. VENICE 320 | 1 | carton inner VENICE 320 |
| | 360222 | KRT. VENICE 320 AUSSEN | 1 | carton outer VENICE 320 |
| | 359944 | STYROPOR-EINL. LI. VENICE | 1 | foam left hand |
| | 359945 | STYROPOR-EINL. RE. VENICE | 1 | foam right hand |
| | 338158 | SCHUTZHÜLLE 800X1200X0,07 | 1 | plastic bag |
| | | Mechanische Teile | | Cabinet material |
| | 341592 | STECKER-FL. XLR 6POL | 1 | connector XLR male 6-pin |
| | 359877 | DK 11,4 GR/WS/DG B 6FL | 65 | knob rotary l.gr/wh/l.gr |
| | 359876 | DK 11,4 DG/WS/GR B 6FL | 31 | knob rotary gr/wh/l.gr |
| | 359878 | DK 11,4 DG/WS/BL B 6FL | 56 | knob rotary gr/wh/bl |
| | 359879 | DK 11,4 GR/WS/BL B 6FL | 48 | knob rotary l.gr/wh/bl |
| | 359990 | DK 11,4 DG/WS/DG B 6FL | 28 | knob rotary gr/wh/gr |
| | 359991 | DK 11,4 GR/WS/GN B 6FL | 58 | knob rotary l.gr/wh/gn |
| | 358364 | DK 11,4 GR/WS/RT B 6FL | 62 | knob rotary l.gr/wh/rd |
| | 359993 | DK 11,4 DG/SW/GE B 6FL | 60 | knob rotary gr/blk/yl |
| | 359994 | DK 11,4 GR/SW/GE B 6FL | 1 | knob rotary l.gr/blk/yl |
| | 359995 | DK 11,4 DG/WS/RT B 6FL | 2 | knob rotary gr/wh/rd |
| | 359946 | SK 24X11 GR/SW 4X1,2 | 28 | knob slide l.gr/blk |
| | 359947 | SK 24X11 BL/SW 4X1,2 | 4 | knob slide bl/blk |
| | 359948 | SK 24X11 RT/SW 4X1,2 | 3 | knob slide rd/blk |
| | 359949 | SK 24X11 GN/SW 4X1,2 | 2 | knob slide gn/blk |
| | 359645 | TK 9,8X9,8 RT 3,3 | 33 | knob switch red square |
| | 360000 | TK 7,5X6 RT 3,3 | 30 | knob switch red small |
| | 359999 | TK 9,8X6 RT 3,3 | 2 | knob switch red mid |
| | 358363 | TK 7,5X6 GR 3,3 | 127 | knob switch l.gr small |
| | 358360 | TK 9,8X6 GR 3,3 | 42 | knob switch l.gr mid |
| | 359863 | TK 2,8 SW 3,3 | 28 | knob switch blk +48V |
| | 359649 | EINLEGEBLENDE VENICE 320 | 1 | logo VENICE 320 |
| | 335589 | FUSS-GUMMI SJ 5009 SW | 5 | rubber foot |
| | 358774 | KABEL-KONFEKT-BUS 12POL 4X | 1 | ribbon cable assy 12-way |
| | 358775 | KABEL-KONFEKT-BUS 12POL 4X | 1 | ribbon cable assy 12-way |
| | 358776 | KABEL-KONFEKT-BUS 12POL 5X | 1 | ribbon cable assy 12-way |
| | 358686 | KABEL-KONFEKT 8POL 0.860M | 1 | ribbon cable assy 8-way |
| | 358687 | KABEL-KONFEKT 8POL 1.000M | 2 | ribbon cable assy 8-way |
| | 358689 | KABEL-KONFEKT 12POL 0.800M | 1 | ribbon cable assy 12-way |
| | 358690 | KABEL-KONFEKT 12POL 0.720M | 1 | ribbon cable assy 12-way |

| Pos. Nr. Ref. No. | Best. Nr. Part No. | Bezeichnung | Qty | Description |
|----------------------|-----------------------|------------------------------------|----------|---|
| | 360944 | KABEL-KONFEKT 12POL 0.660M | 1 | ribbon cable assy 12-way |
| | 360941 | KABEL-KONFEKT 6POL 0.500M | 1 | ribbon cable assy 6-way |
| | 360942 | KABEL-KONFEKT 10POL 0.570M | 1 | ribbon cable assy 10-way |
| | 349610 | KABEL-KONFEKT 10POL 0.520M | 1 | ribbon cable assy 10-way |
| | 341984 | KABEL-KONFEKT 4POL 0.150M | 2 | ribbon cable assy 4-way |
| | 353397 | KABEL-KONFEKT 18POL 0.110M | 14 | ribbon cable assy 18-way |
| | 358390 | SEITENTEIL LINKS VENICE | 1 | side wing left hand |
| | 358534 | SEITENTEIL RECHTS VENICE | 1 | side wing right hand |
| | 359770 | FRONTLEISTE VENICE 320 | 1 | arm rest VENICE 320 |
| | 359634 | FRONTBL-BED VENICE 320 | 1 | front panel VENICE 320 |
| | 359635 | RÜCKWAND-BED VENICE 320 | 1 | rear panel VENICE 320 |
| | 358691 | RKT VENICE 100-240V | 1 | mains transformer VENICE |
| | | Printplatten, bestückt | | Printed circuit board assemblies |
| | 852778 | PCBAR#VENICE 240/320 | 1 | pcb assy 85277 power supply |
| | | please refer to bom of VENICE 240 | | |
| | 813468 | PCBAR#VENICE 160/240/320 R1 | 3 | pcb assy 81346 input mono |
| | | please refer to bom of VENICE 240 | | |
| | 822308 | PCBAR#VENICE 160/240/320 | 1 | pcb assy 82230 input stereo |
| | | please refer to bom of VENICE 240 | | |
| | 862698 | PCBAR#VENICE 160/240/320 | 1 | pcb assy 86269 connectors |
| | | please refer to bom of VENICE 240 | | |
| | 862708 | PCBAR#VENICE 240/320 | 2 | pcb assy 86270 conn. ext. |
| | | please refer to bom of VENICE 240 | | |

MONO P.C.B. (2channels shown)



STEREO P.C.B. (2channels shown)



Internal Modifications

The console is designed to satisfy almost all applications. The internal modifications are offered to provide alternative routings for very special applications. All modifications can be carried out from the bottom side of the P.C.B..

Warning: The modifications involve cutting of traces and resoldering of specially designed pads and should only be carried out by a competent electronic technician. MIDAS accepts no responsibility for any damages or injuries. In case of damages by modifications, MIDAS may declare warranty privileges void.

To open the unit, the following steps are necessary:

1. Remove all cords including the mains cord.
2. Remove the sidewings and the armrest.
3. Remove the screws that attach the top panel.
4. Open the top panel carefully. Now you have access to the bottom side of the P.C.B..

Mon and aux sends post-eq :

1. Cut here.
2. Solder here.

Fx sends pre-eq:

3. Cut here.
4. Solder here.

Direct outs pre-fader:

5. Cut here.
6. Solder here.

