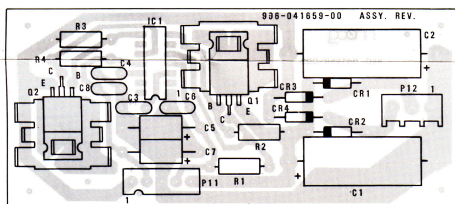


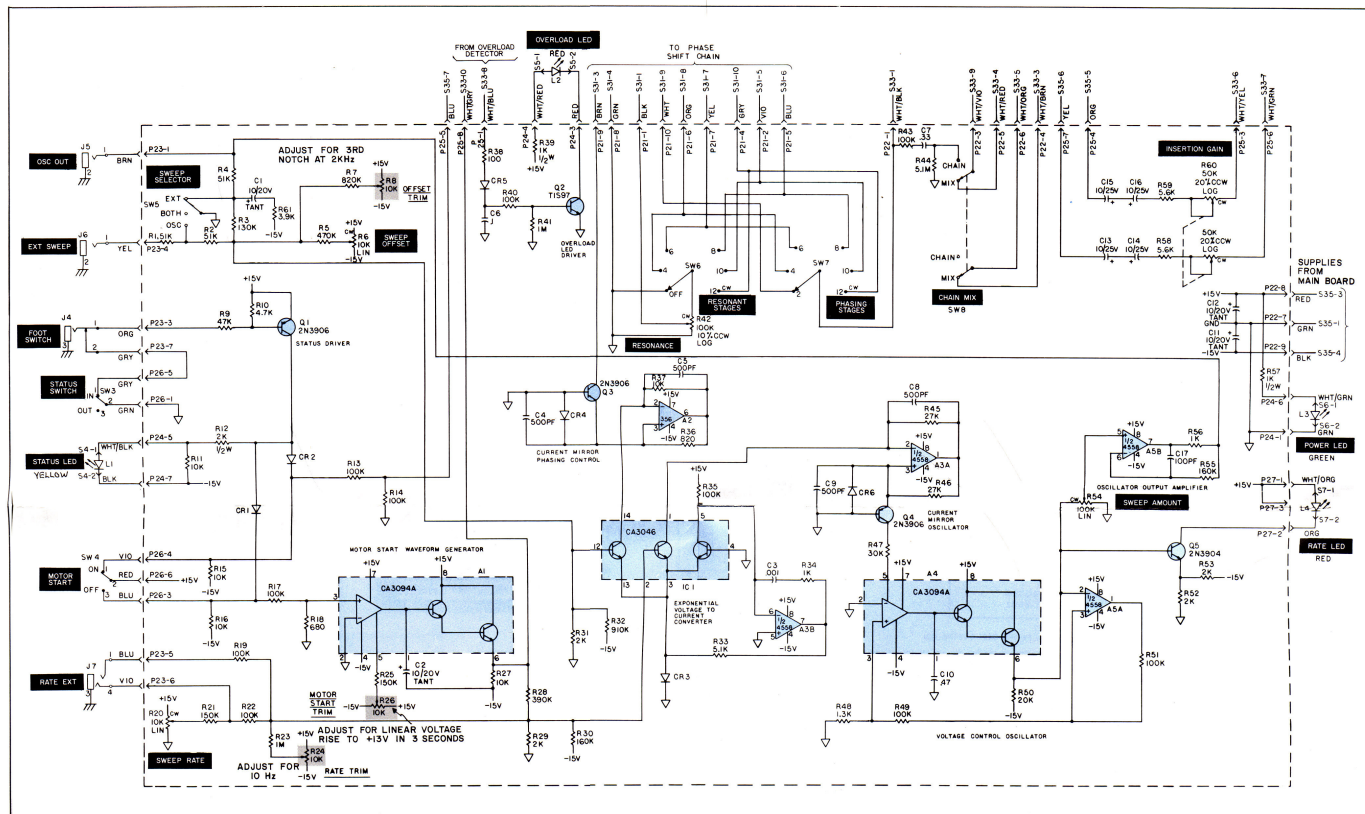
POWER SUPPLY SCHEMATIC DIAGRAM (BOARD 1)



POWER SUPPLY PRINTED CIRCUIT BOARD ASSEMBLY (BOARD 1)

POWER SUPPLY PRINTED CIRCUIT BOARD ASSEMBLY (BOARD 1)
REPLACEMENT PARTS LIST

REF DESIG	PART NUMBER	DESCRIPTION	QTY
	996-041659-001	Printed Circuit Board Assembly consisting of:	1
C1,C2	945-040209-007	Capacitor, Aluminum, Electrolytic, 470uf, 35V	2
C3,C4	947-040194-152	Capacitor, Disc, 0.0015uf	2
C5,C7	946-040231-002	Capacitor, Tantalum, 10uf, 20V	2
C6,C8	947-040200-103	Capacitor, Disc, 0.01uf	2
CR1 thru CR4	919-010623-003	Diode, Rectifier, 1N4004	4
IC101	991-041111-001	Integrated Circuit, Dual Regulator, ±15V, SG1468.	1
P11	910-040303-005	Header, Printed Circuit, 5 Pin, Keyed (0.150 Centers), AMP640242.5.	1
P12	910-041716-003	Header, Printed Circuit, 3 Pin, AMP350210-1	1
Q1	991-041050-001	Transistor, PNP, TIP30	1
Q2	991-041049-001	Transistor, NPN, TIP29	1
R1,R4	852-312027-001	Resistor, 2.7 Ohm, ±5%, 1/4W	2
R2,R3	852-312510-001	Resistor, 51 Ohm, ±5%, 1/4W	2
	967-040935-001	Heatsink, TO-220 Device	2



CONTROLBOARD SCHEMATIC DIAGRAM (BOARD 2)

SIGNAL PROCESSORS
mog MUSIC INC. BUFFALO, N.Y.
12 STAGE PHASER CONTROL BOARD
AND POWER SUPPLY SCHEMATIC
DIAGRAMS, AND POWER SUPPLY
REPLACEMENT PARTS LIST
MODEL 307A 993-042929-001
Page 5 of 6