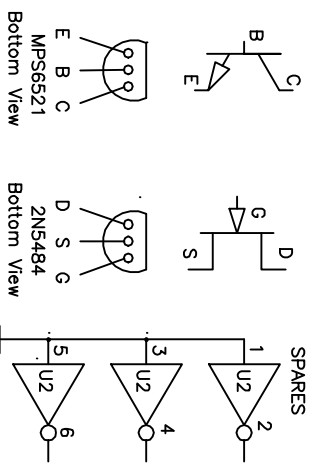


U1 = TL074 TEXAS INSTRUMENTS QUAD OP-AMP
 U2 = CD4069UBE CMOS HEX INVERTER



		SCALE: N.T.S.	APPROVED BY:		DRAWN BY: W.W.
		DATE: 1-11-00	REVISED:		
JUST DISTORTION (JDB)					
c:\actwin\morley\jdb\schmjdb2.dwg					DRAWING NUMBER