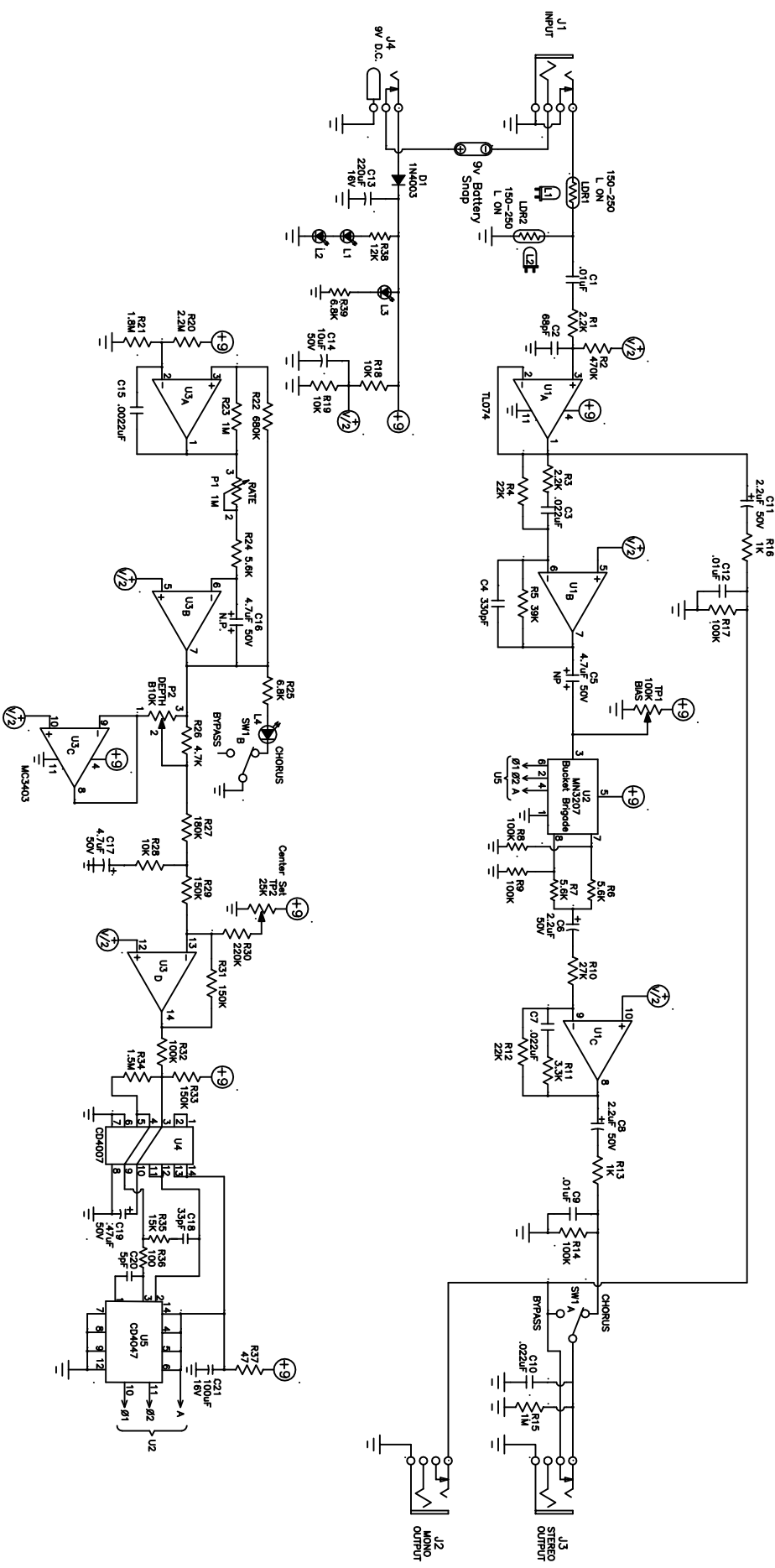
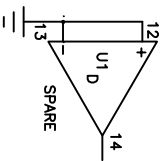


REVISIONS				
ZONE	REV	DESCRIPTION	DATE	APPROVED
	A	ORIGINAL	10-25-04	



- U1 = TL074 TEXAS INSTRUMENTS QUAD OP-AMP
- U2 = M42507 MOTOROLA QUAD OP-AMP
- U3 = M42507 PANASONIC BUCKET BRIGADE 1024 STAGE
- U4 = CD4047 NATIONAL DUAL COMPLEMENTARY PAIR PLUS INVERTER
- U5 = CD4047 NATIONAL LOW POWER MONOSTABLE/ASTABLE MULTIVIBRATOR
- L1,L2 = MORLEY # M16-005734-000 Red Indicator
- L1,L2 = MORLEY # M16-005774-000 Red Diffused



THIS PRINT
HAS BEEN APPROVED
FOR PRODUCTION

APPROVED: S.F. DATE: 10/26/04

UNLESS OTHERWISE SPECIFIED:
RESISTORS 1/4 WATT 10%
CAPACITORS 10%



SOUND ENHANCEMENT PRODUCTS, INC.
325 CARY POINT DR., CARY IL 60013
(847) 639-4646

SEDONA CHORUS VOLUME (SCV)

This drawing and the information contained herein is the exclusive property of Sound Enhancement Products, Inc. Reproduction or use of this information in any form, without our prior written approval, is prohibited.

DRAWN Scott Flasher
CHECKED APPD
DATE 10-25-04

SCALE B
SIZE FSCM NO. B
FILE NAME schmscv.dwg
STATUS CURRENT
REV A