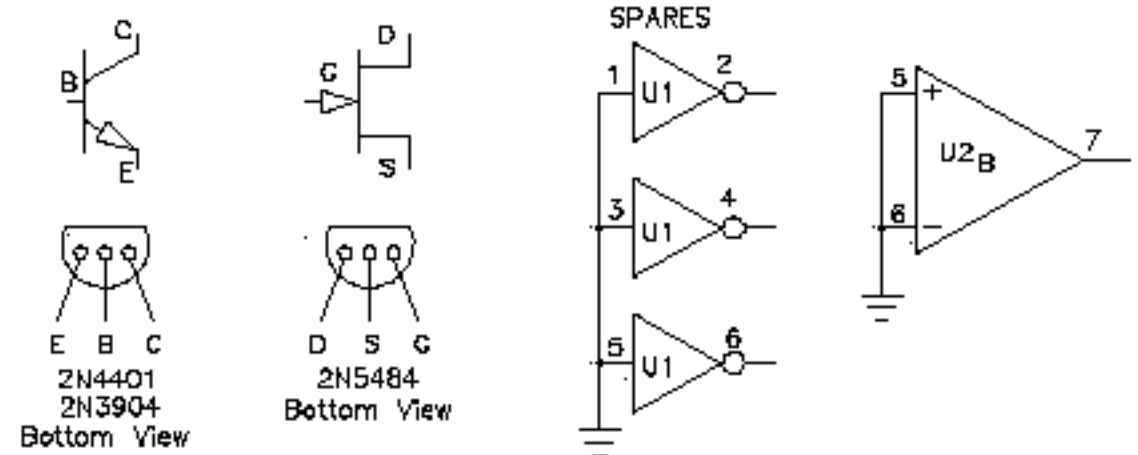


- U1 - CD4069UBE
- U2 = TL074
- T1, T2 = 2N4401
- T3, T4 = 2N3904
- LDR1, LDR2 = M79-211564-000
- L1, L2, L3 = M16-005734-000
- IND1 - 500mH 12-14ohm Inductor
- Coil Craft # Q4199-A



**MORLEY**

SCALE 1=1	APPROVED BY <i>Scott Flesher</i>	DRAWN BY S.F.
DATE: 8/22/96		REVISED 4/29/97

STEVE VAI SWITCHLESS WAH