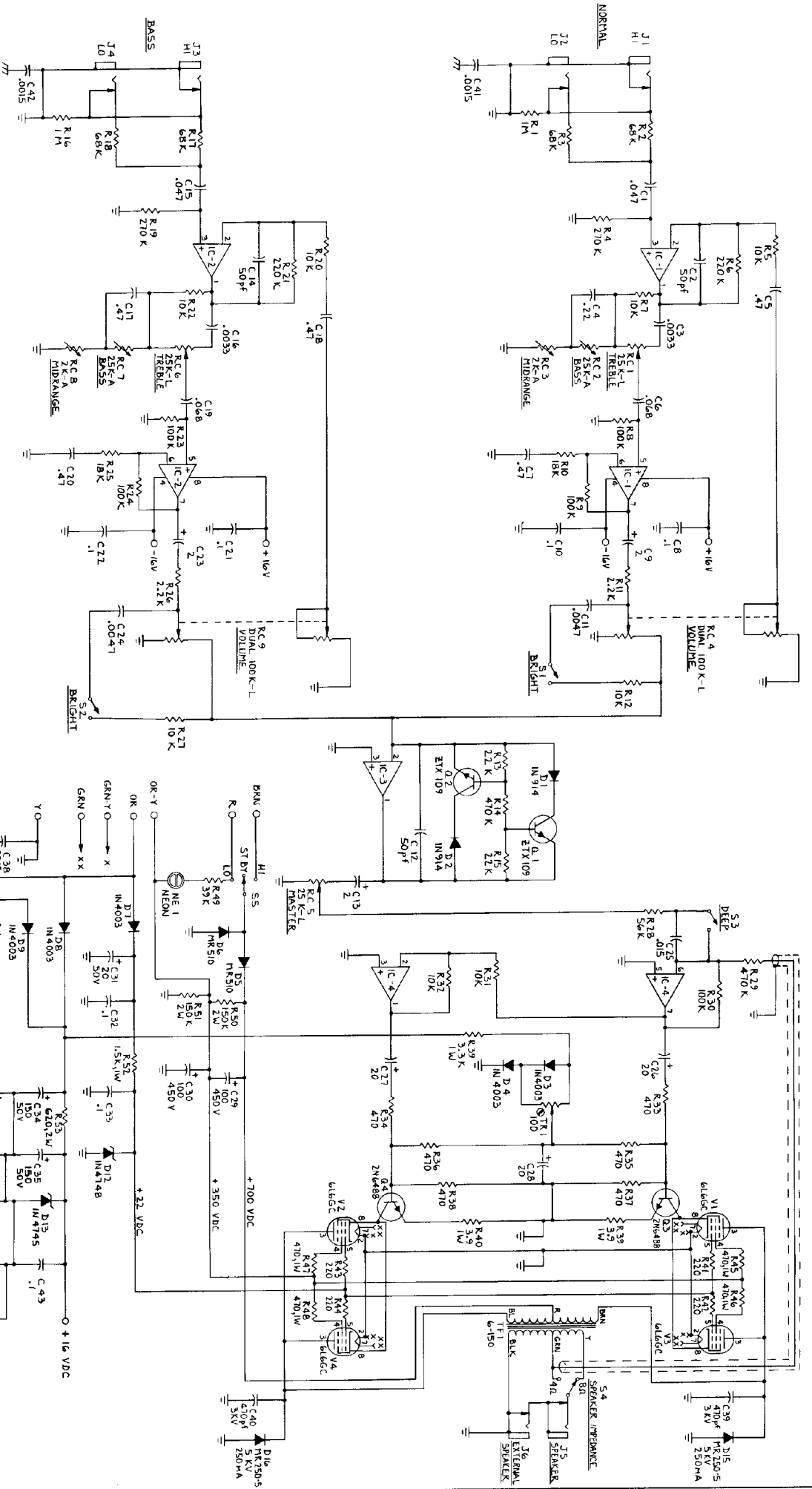


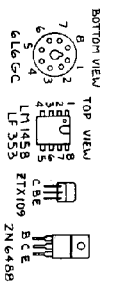


Amplifier Schematics

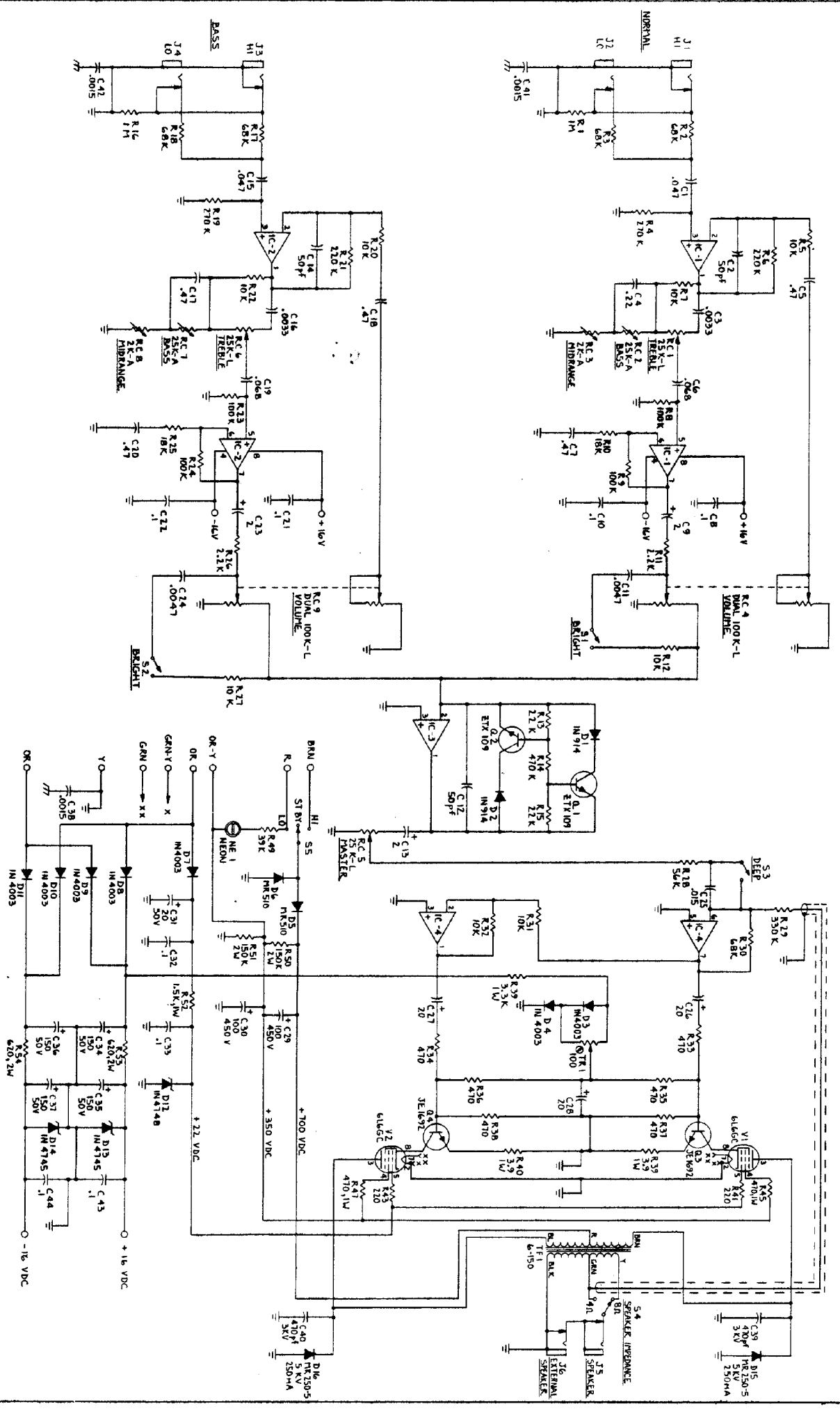
Chassis Number: 2100-75



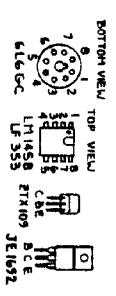
1. IC 1'S 1, 2, & 3 ARE LF 353 OR TL072; IC 4 IS LM 1458.
 2. ALL CAPACITANCE VALUES ARE IN MICROFARADS (µF) EXCEPT WHERE NOTED.
 NOTE: 1. ALL RESISTANCE VALUES ARE IN OHMS (Ω), ¼ WATT, EXCEPT WHERE NOTED.



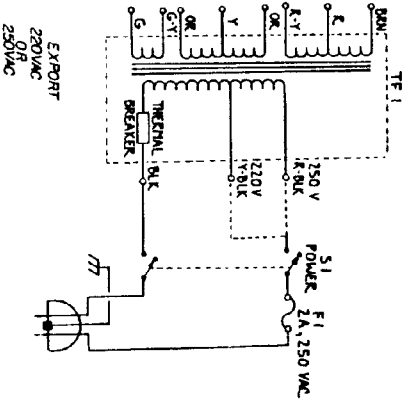
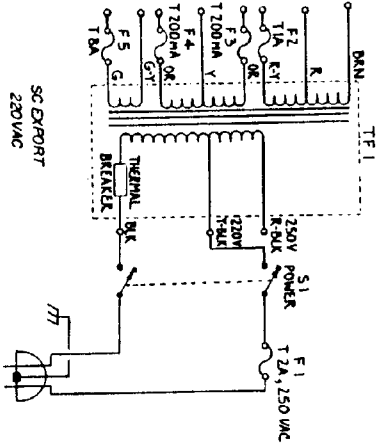
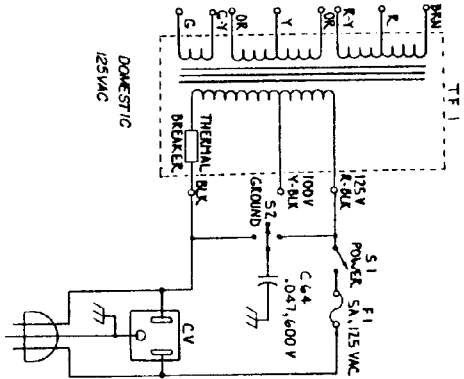
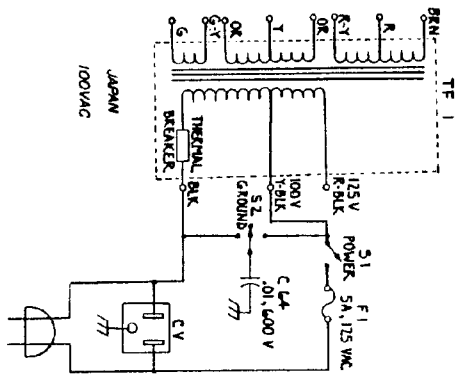
DRAWN BY	Mc 2-25-73	MUSIC MAN INC.	ANNHEIM, CA.
CHECKED BY	Mc 2-25-73		
DESIGNED BY	Mc 2-25-73		
APPROVED BY	Mc 2-25-73		
DATE	2-25-73		
SCALE			
ENG. NO.	7001		
SHEET	1 OF 1		



NOTE: 1. ALL RESISTANCE VALUES ARE IN OHMS (Ω), IN KΩ, IN MΩ, EXCEPT WHERE NOTED.
 2. ALL CAPACITANCE VALUES ARE IN MICROFARADS (μF) EXCEPT WHERE NOTED.
 3. IC-1, 2, 3 ARE LT 553 OR TL0712; IC-4 IS LM1458.



DESIGNED BY	DATE	SCALE	SHEET
APPROVED BY			
MUSIC MAN INC. ANN ARBOR, MI			
SCHEMATIC DIAGRAM - BB-3 AMPLIFIER, 75 W			
PBG-NE 7002			



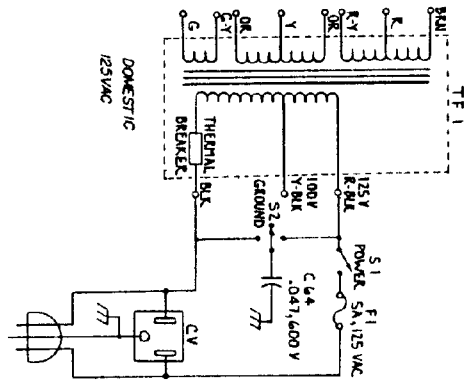
T.F. 1 PART NUMBERS
 100-65 — 6.5 W, 75 W, 100-125 VAC
 100-65-250 — 6.5 W, 75 W, 220-250 VAC
 200-130 — 100 W, 150 W, 100-115 VAC
 200-130-250 — 100 W, 150 W, 220-250 VAC

POWER TRANSFORMER DIAGRAM

Model	5002
Manufacturer	MUSIC MAN INC.
Location	ANN ARBOR, MI
Part Number	5002

RD and RP 65 and 100 SERIES PARTS LIST

- Output Transformer- 65 Watt
- Output Transformer- 100 Watt
- Power Transformer - 65 Watt
- Power Transformer - 100 Watt
- Tubes 6L6
- Tubes 6CA7 (older models)
- Tube socket, 8 pin
- Filter cover
- Pilot light assembly
- Control knob- black- 0-10
- Fuse 3A 125V- S10-b10
- Fuse cap (push type)
- Fuseholder (screw-in type)
- Switch, toggle SPTT (standby)
- Switch, toggle SPTT (power)
- Control, /100K RA (gain)
- Diode IN 4748
- Diode IN 5353
- Diode HV 50 (replaces MR250-5)
- Diode MR 510
- Transistor ZTX 109
- Transistor JH 1692 (2N6292)
- IC TL072 (LF-353)
- IC MCI 4053B
- IC MC 1458
- IC MC 4016B
- Reverb Pan
- Reverb input transducer
- Reverb output transducer
- Speaker 10" G/HD
- Speaker 10" Electro-Voice
- Speaker 12" C12G
- Speaker 12" Electro-Voice
- Speaker 15" Electro-Voice



POWER TRANSFORMER DIAGRAM	
DATE: 4-1-80	DESIGNED BY: JMF
MUSIC MAN INC. AMARITH, CA.	
500Z	