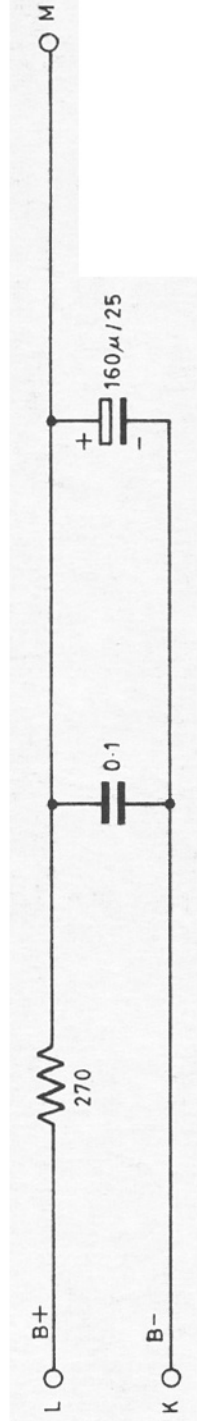
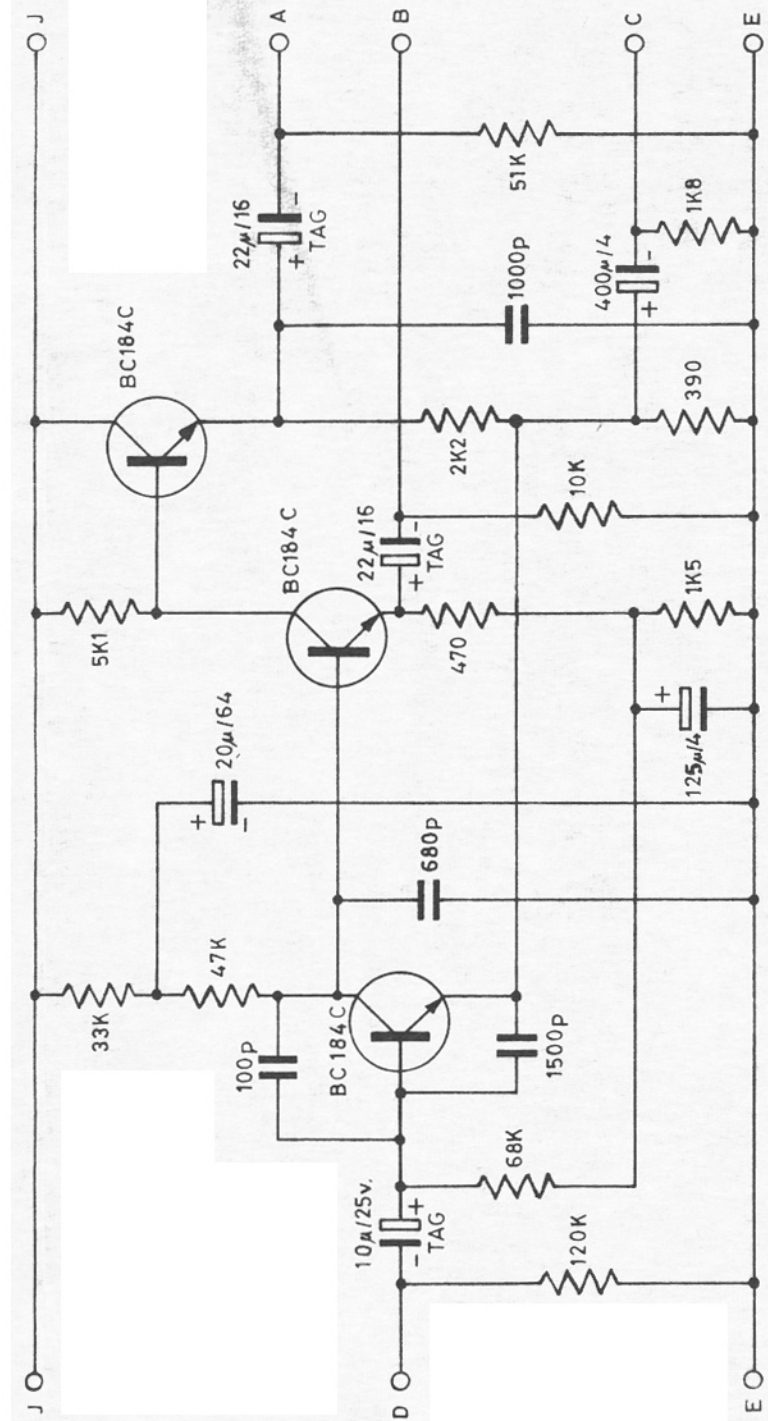
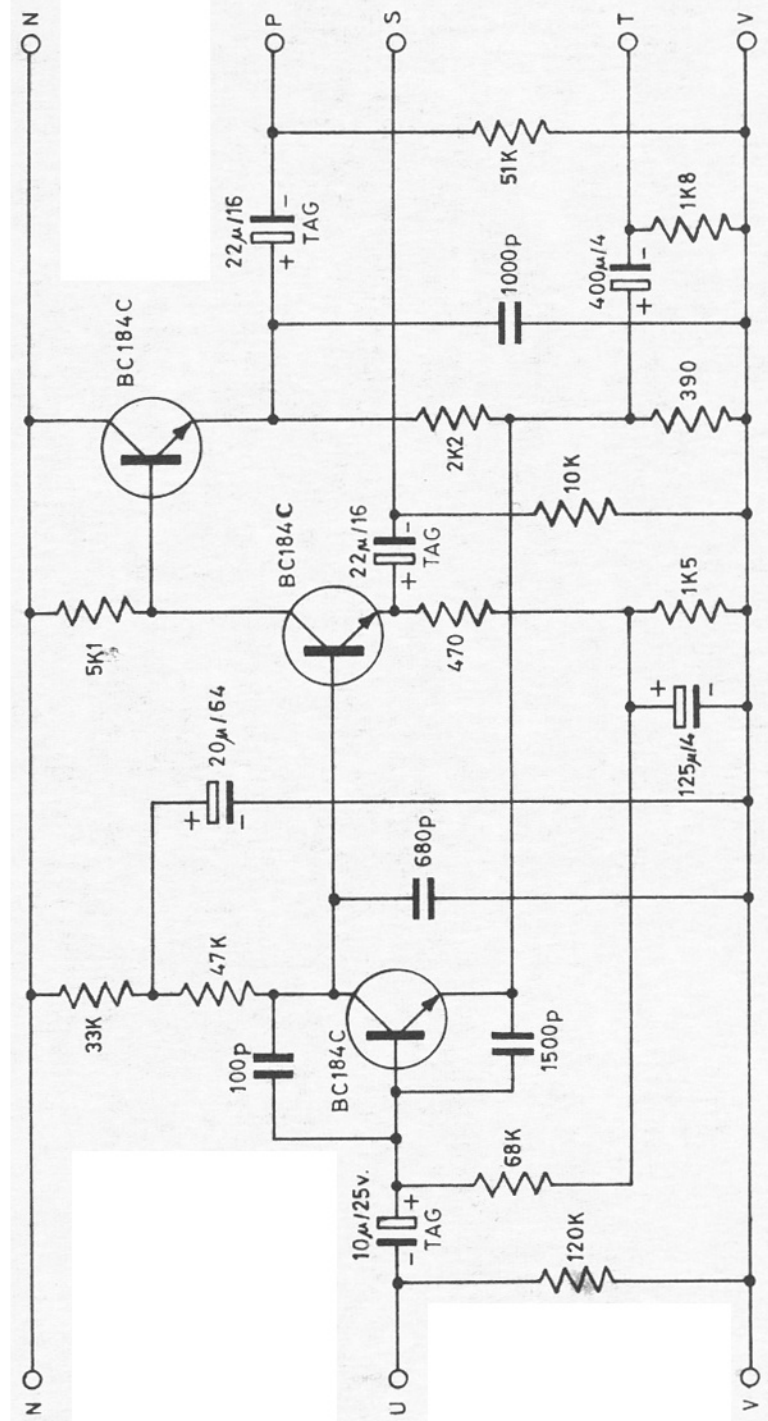


BA189

D/10,026



7-3-72 G.T. E 10525  
D 10471 & 10473 8-6-72 ST



The Neve Group of Companies

TITLE BA189

This drawing is the property of this company and may not be reproduced or disclosed to a third party without the permission of this company.

C	9/11/71	10,375
B	16/9/69	10,038
A	16/9/69	10,023

DATE	
DRAWING NUMBER	D/10,026