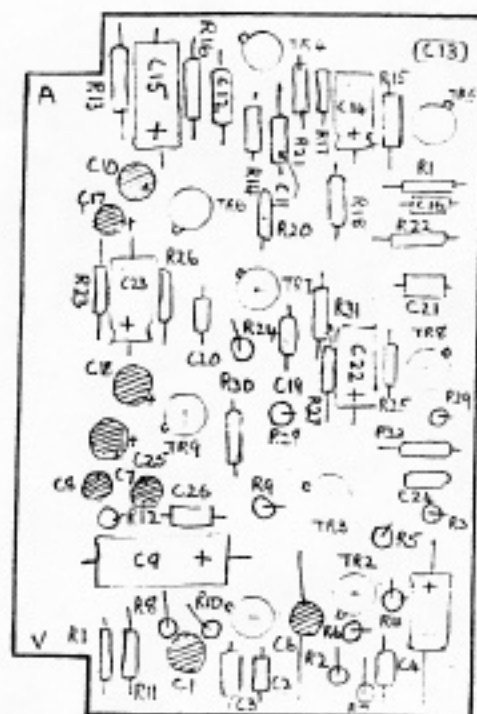


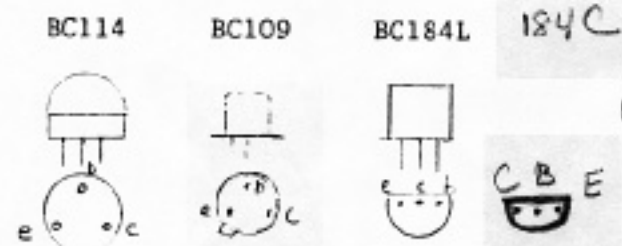
PRINTED CIRCUIT BOARD B284



PARTS LIST BA284

Ref	Description	Part No.
R1	120K TR4, ±2%	PA120K0
R2	68K " "	RA068K0
R3	33K " "	RA033K0
R4	47K " "	RA047K0
R5	5K1 " "	RA005K1
R6	470 " "	RA470R0
R7	1K5 " "	RA001K5
R8	10K " "	RA010K0
R9	2K2 " "	RA002K2
R10	390 " "	RA390R0
R11	1K8 " "	RA001K8
R12	51K " "	RA051K0
R13,23	100K " "	RA100K0
R14,24	39K " "	RA039K0
R15,25	27K " "	RA027K0
R16,26	3K3 " "	RA003K3
R17,27	120K " "	RA120K0
R18,28	180K " "	RA180K0
R19,29	180K " "	RA180K0
R20,30	3K6 " "	RA003K6
R21,31	820 ohms TR4, ±2%	RA820R0
R22,32	3K9 " "	RA003K9
C1,10,18	10 µF, 25V	CA60100
C2	100 pF Suflex 10%	CA11000
C3	1500 pF " "	CA20012
C4,13,21	680 pF Suflex 10%	CA16800
C5	22 µF, 25V	CA60220
C6	100 µF, 4V	CA61000
C7,8	25 µF, 16V	CA60223
C9	400 µF, 4V	CA63300
C10,	10 µF, 25V, TAG	CA60100
C11,19	47 pF	CA10470
C12,20	470 pF	CA14700
C13,21	680 pF	CA16800
C14,22	22 µF, 25V	CA60020
C15,23	100 µF, 4V	CA61000
C16,24	1000 pF	CA20010
C17,25	22 µF, 16V	CA60100
C26	1000 pF	CA20010
TR1-9	BC184C	TR16401
	P.C.B (assembled)	BA284

Note: Replacement of components on this board should be undertaken only by experienced engineers using the special de-soldering equipment (solder sipper) designed for the removal of components without damage.



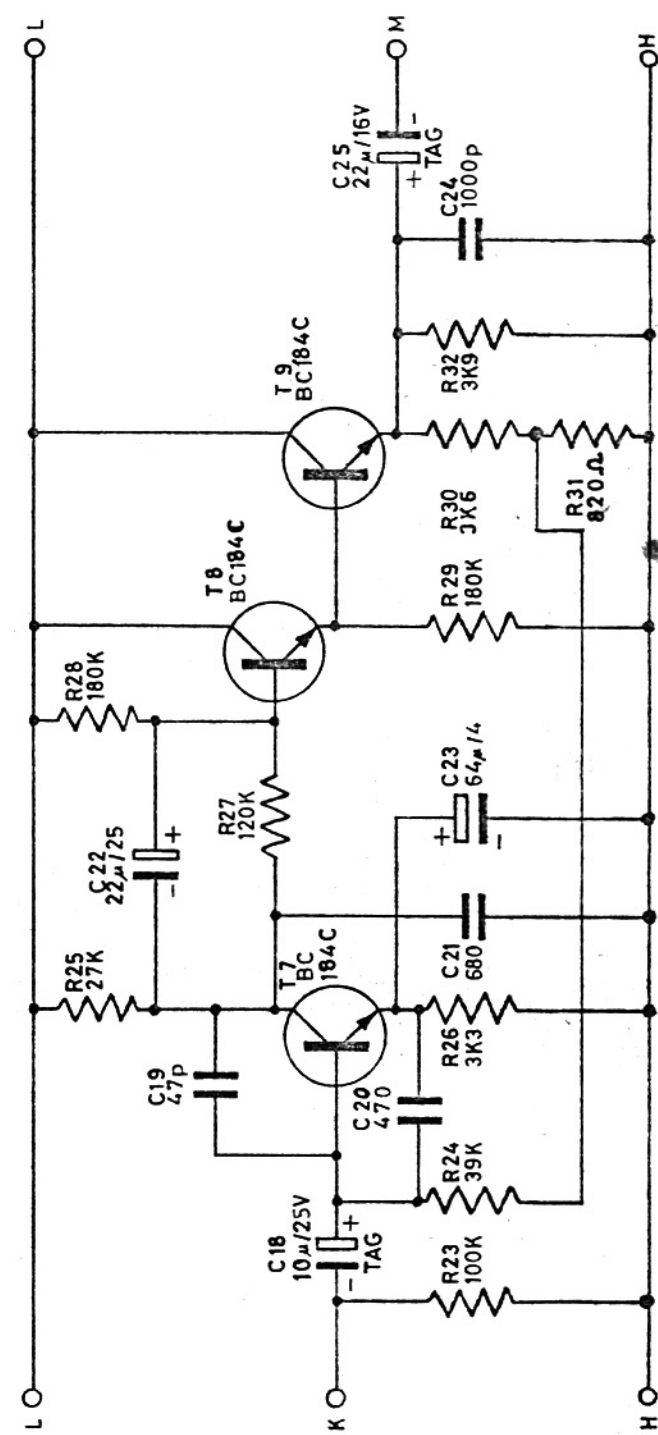
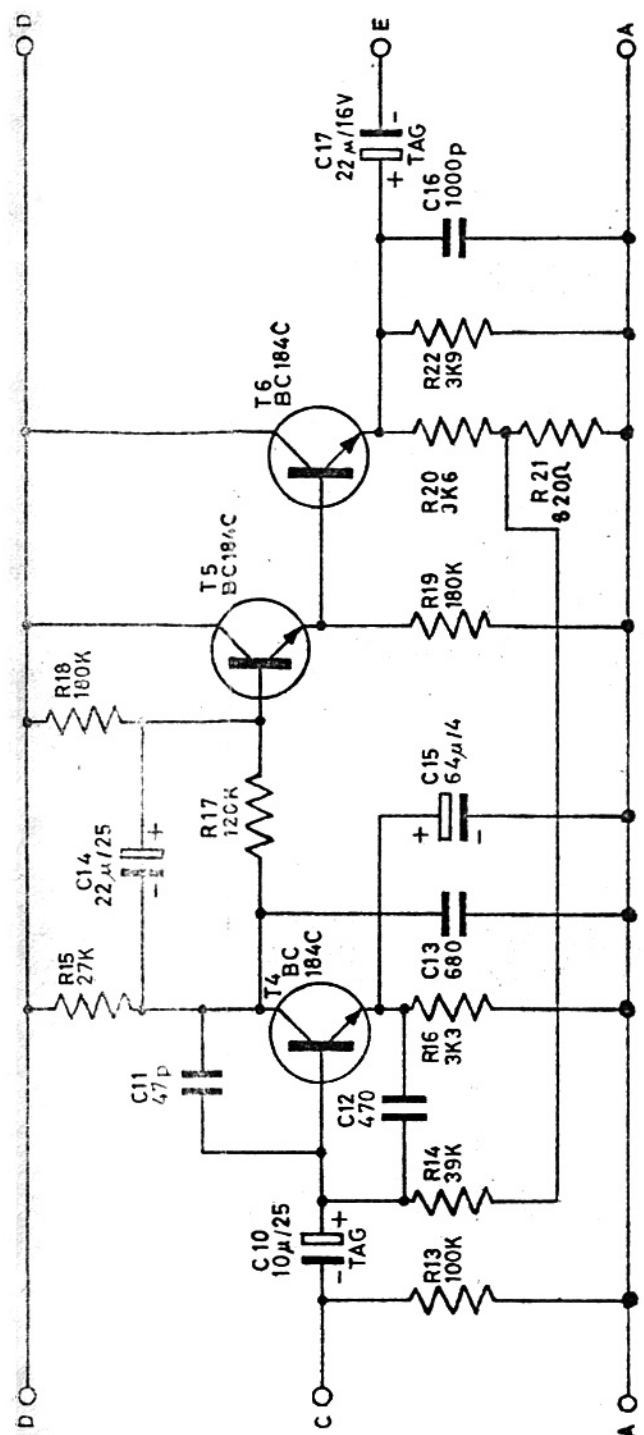
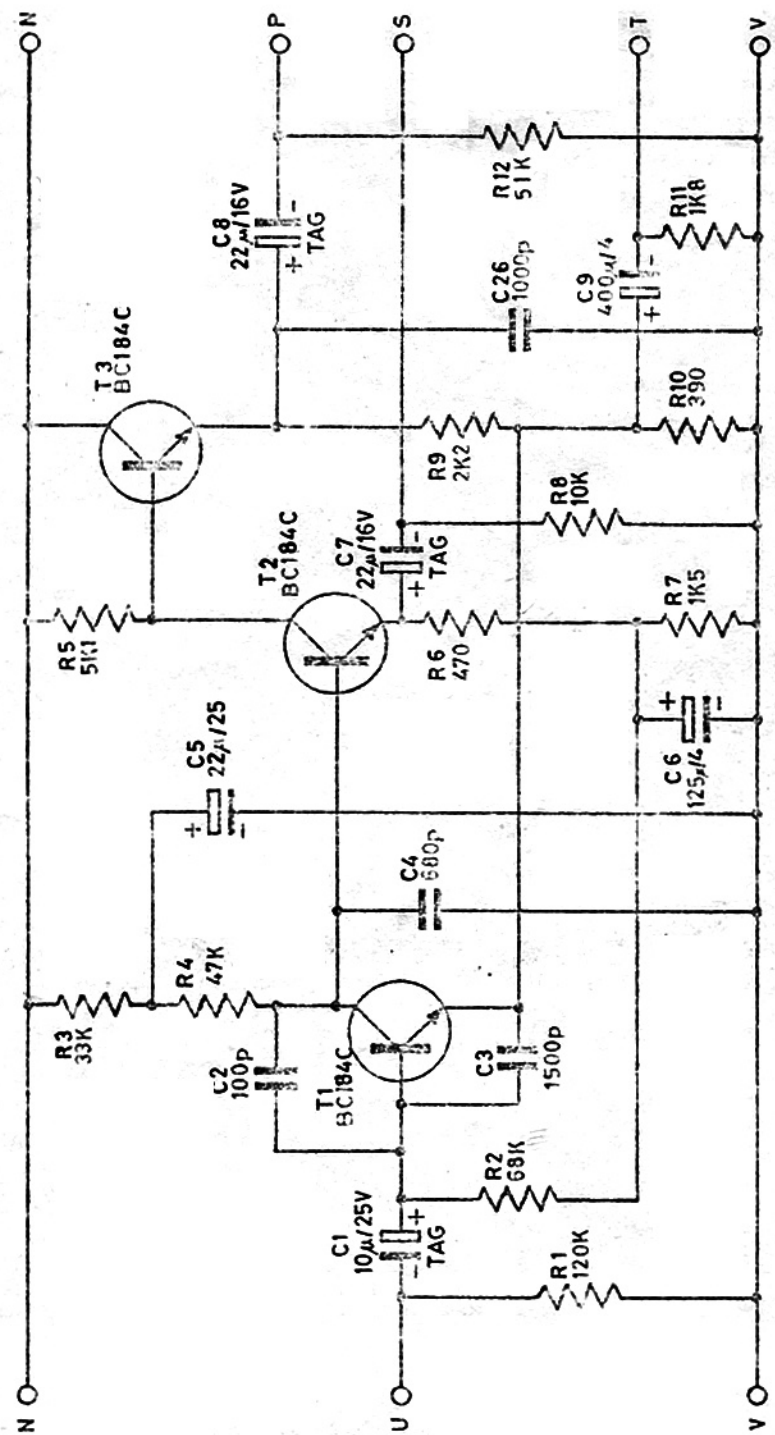
Transistors viewed from underside.

This p.c.b. consists of an input amplifier similar to that on the BA283 board together with two similar operational amplifiers.

The gain of the input amplifier may be changed by the connection of a resistor between contacts T and V which decouples R10 more effectively, thereby, increasing the gain of the amplifier. Gain is increased in 5 dB steps according to the following table:

Gain dB	18	23	28	33	38	43	48
R	-	330	120	56	27	15	8.2

Feedback connections all made externally by connecting resistors between



The Neve Group of Companies
 TITLE BA284

This drawing is the property of this company and may not be reproduced or disclosed to a third party without the permission of this company.

C	15/11/72	10565	DATE	15/11/71	CN 10,362
B	8-3-72	10473	DRAWING		
A	8-12-71	10,402	NUMBER	EX/10,284	