

# A6300

Integrated Mobile Sound System

## SERVICE MANUAL



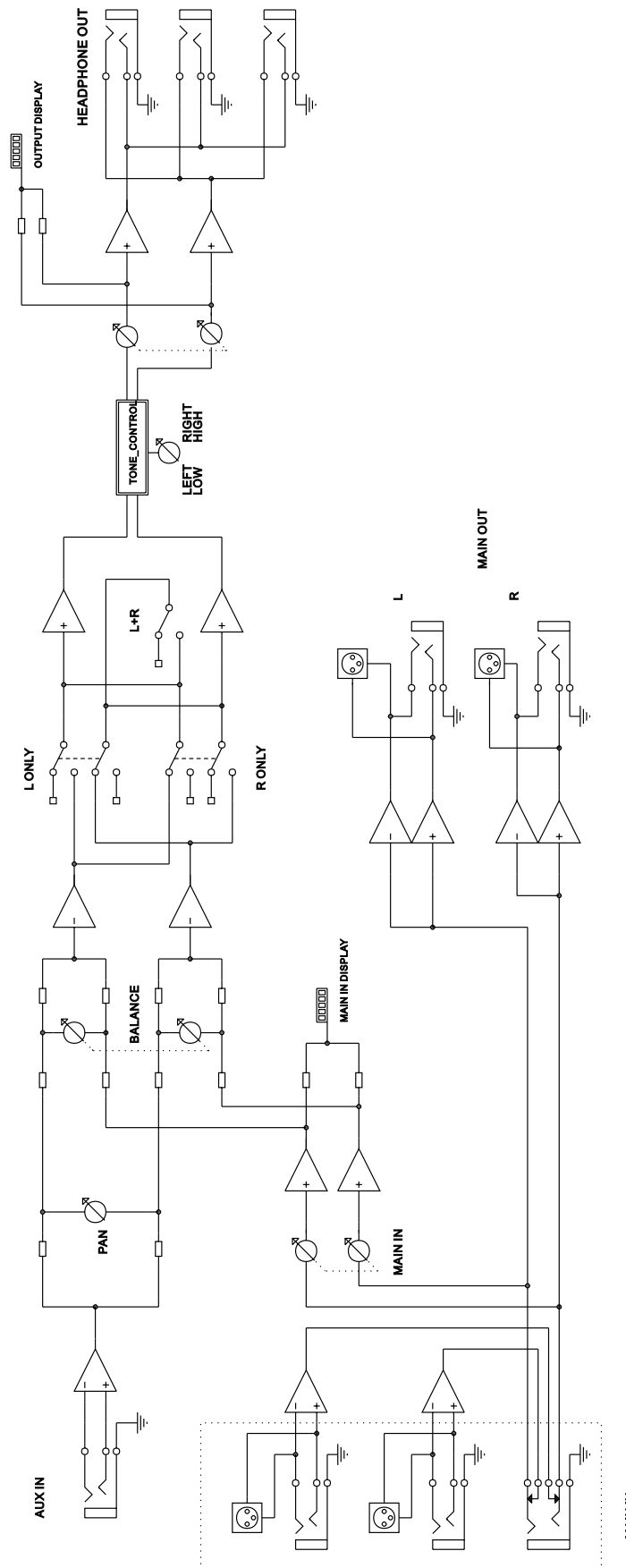
# A6300 SERVICE MANUAL

## CONTENTS

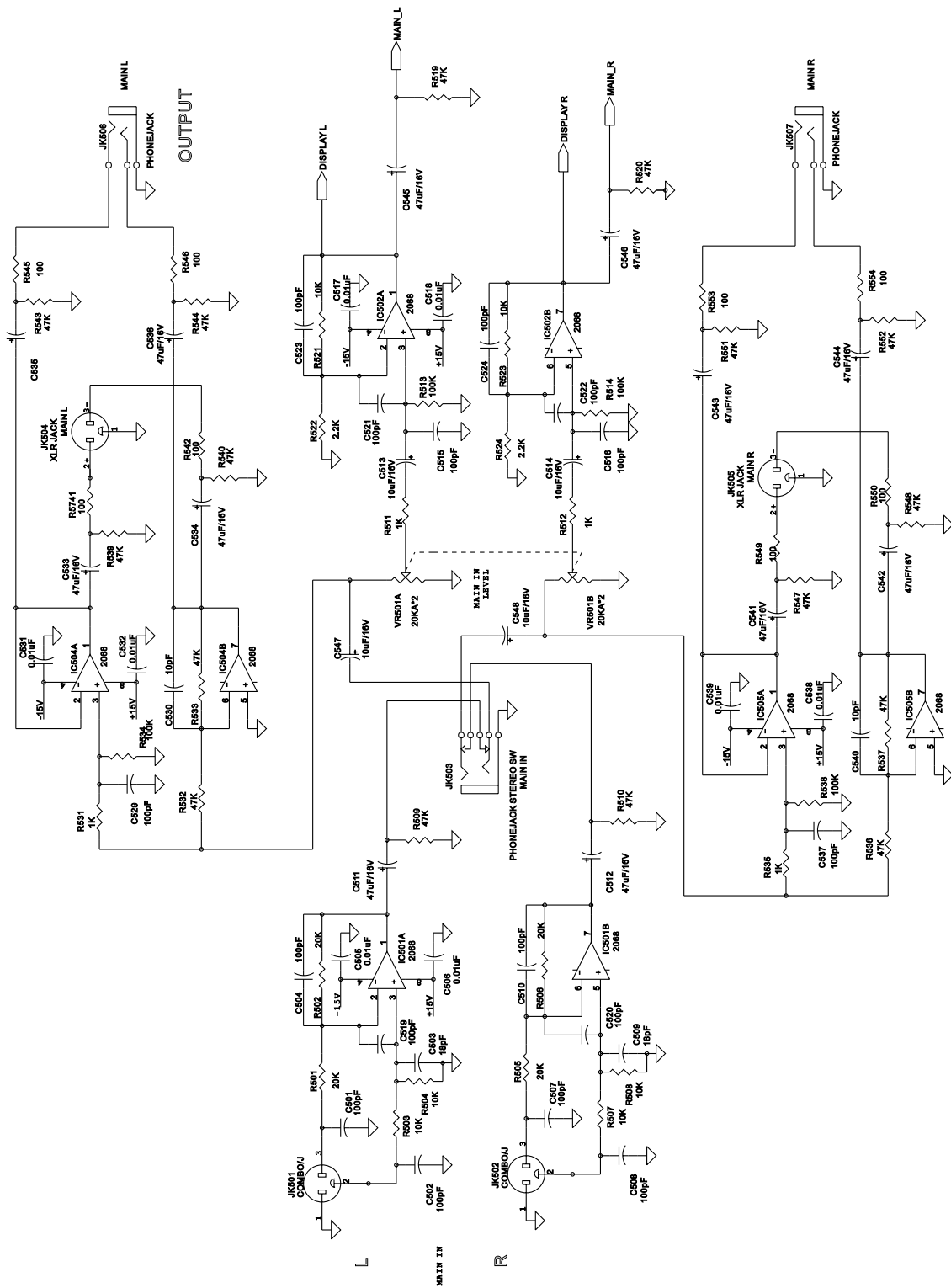
	<b>PAGE</b>
PANEL LAYOUT .....	3
BLOCK .....	4
MAIN.....	5
DISPLAY1.....	6
DISPLAY2.....	7
AMP.....	8
CH1 .....	9
CH2 .....	10
CH3 .....	11
CH4 .....	12
<b>BOM</b>	
MASTER PCB-PART LIST .....	13
VR PCB-PART LIST .....	15
AMP PCB-PART LIST .....	17
POWER REQUIREMENT CLASSIFICATION .....	19



BLOCK

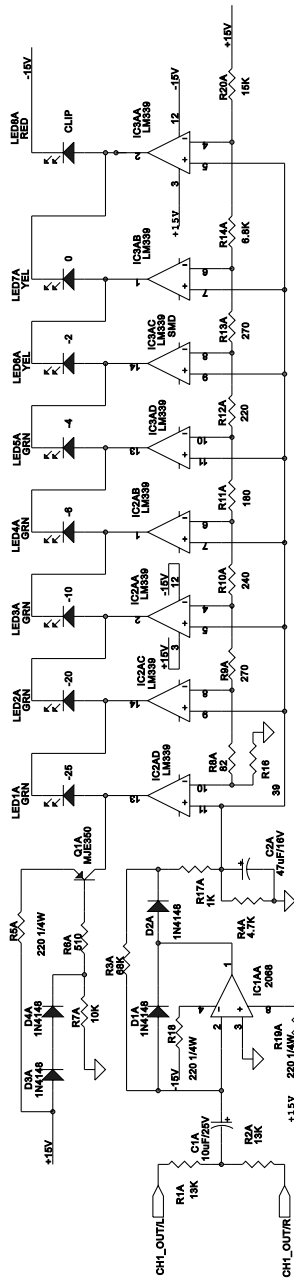


MAIN

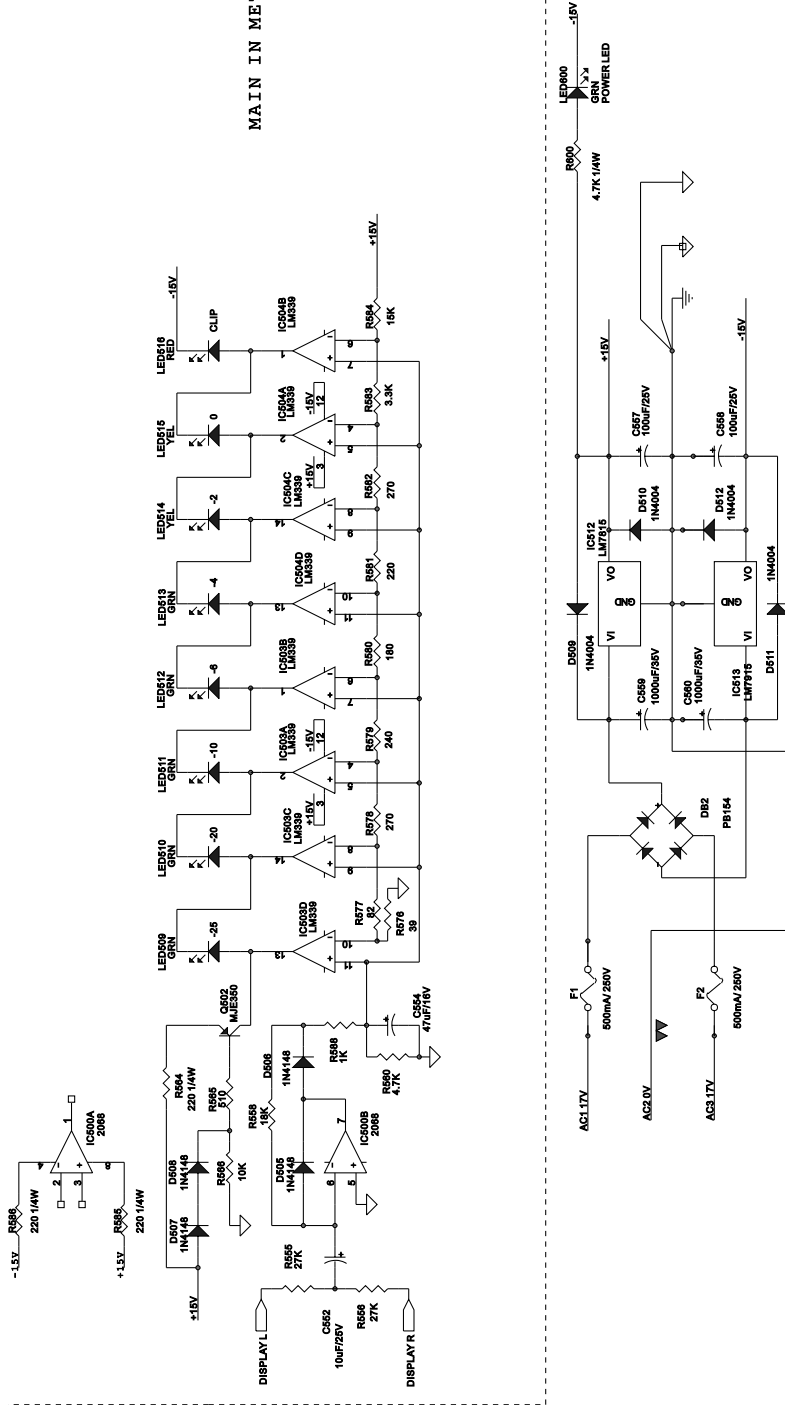


DISPLAY1

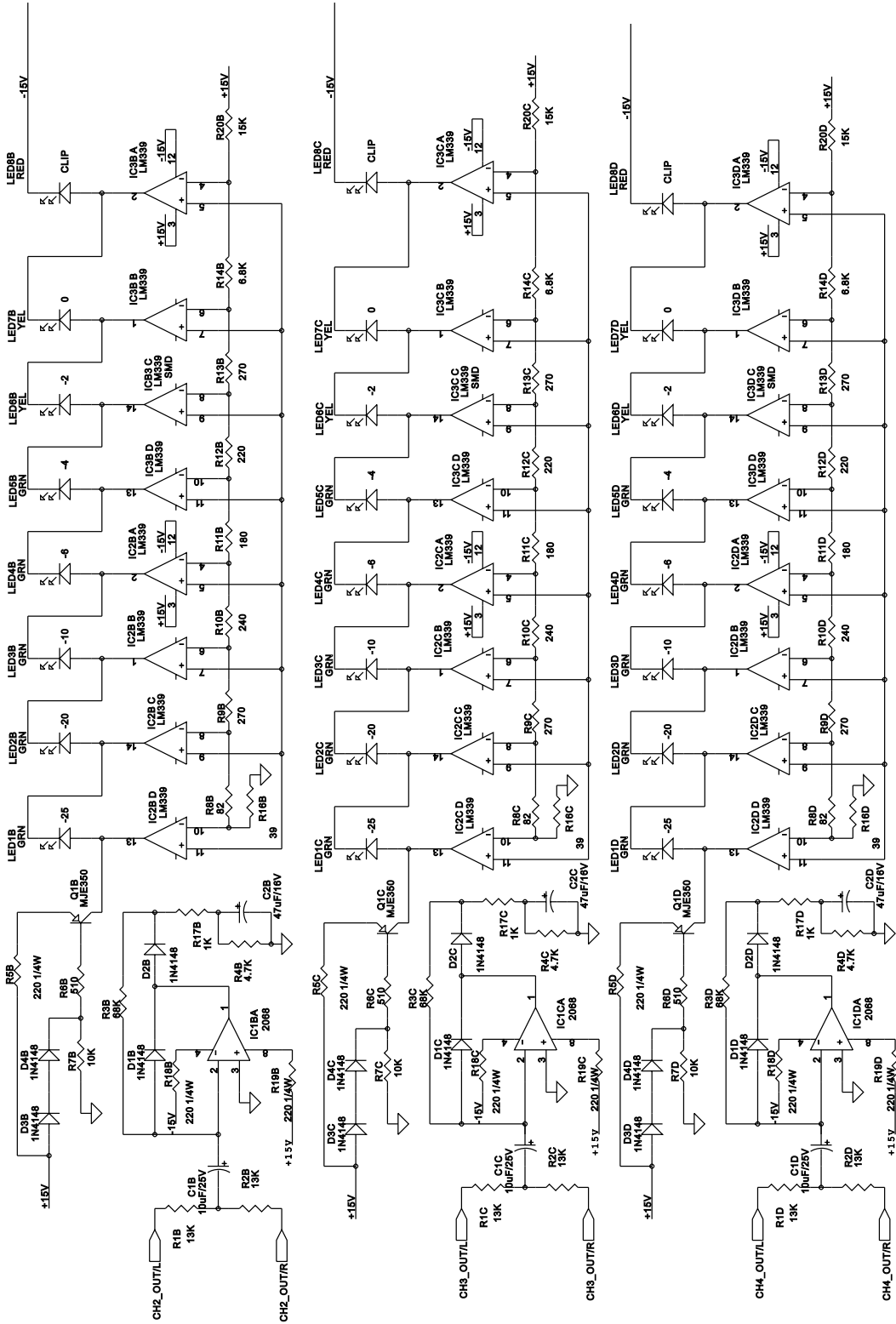
CHANNEL 1  
OUTPUT METER



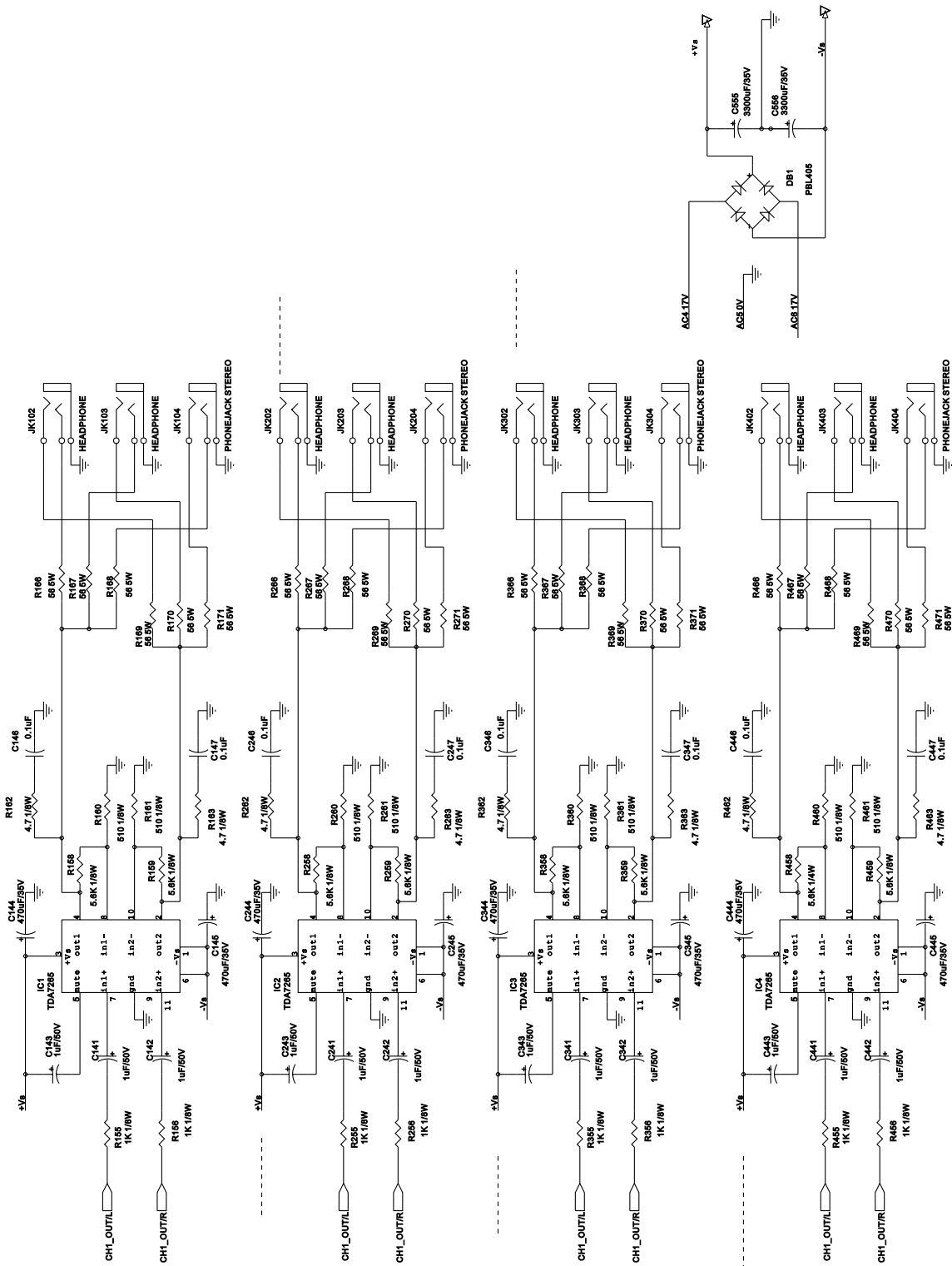
MAIN IN METER



DISPLAY2

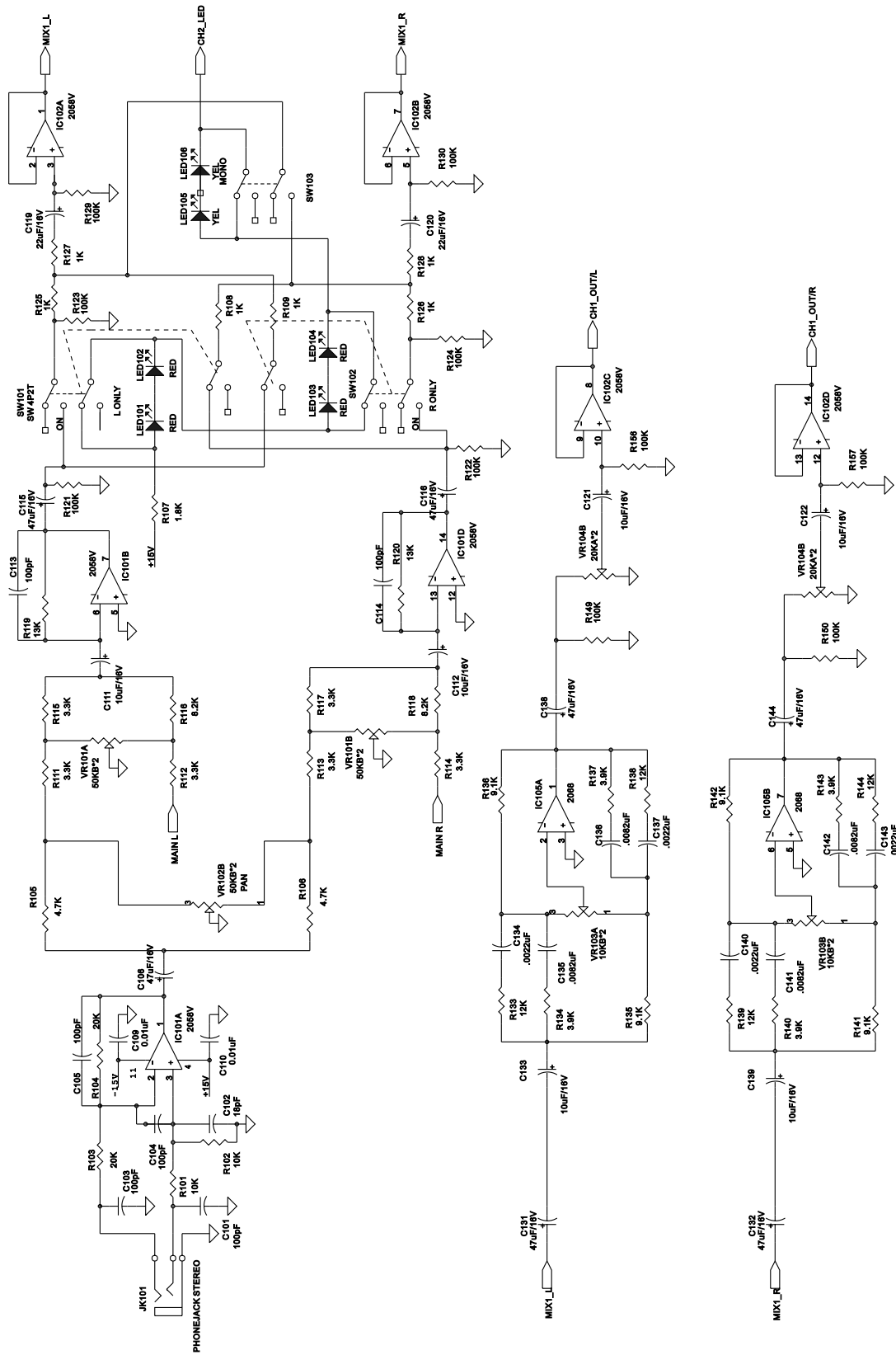


AMP

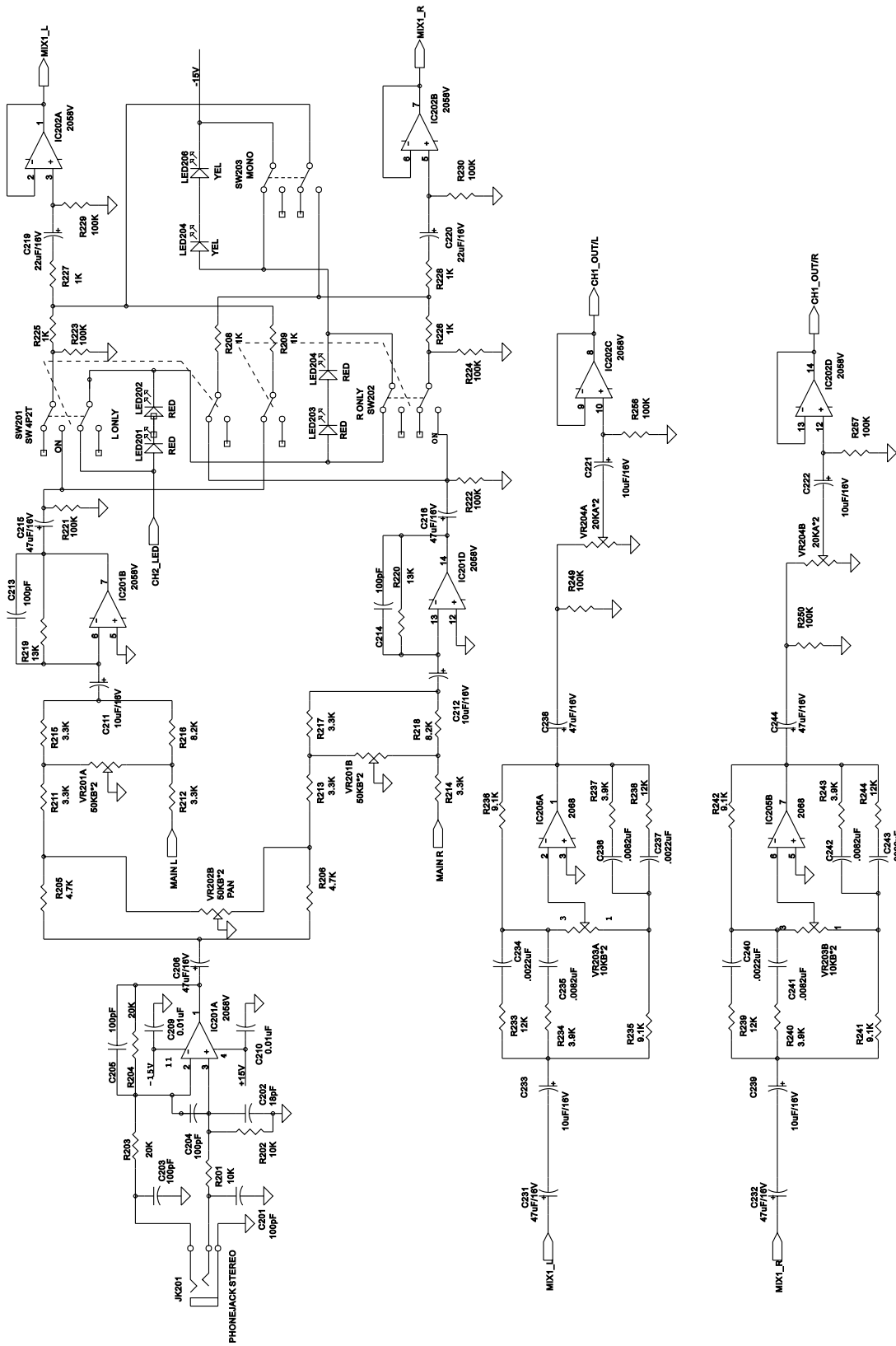




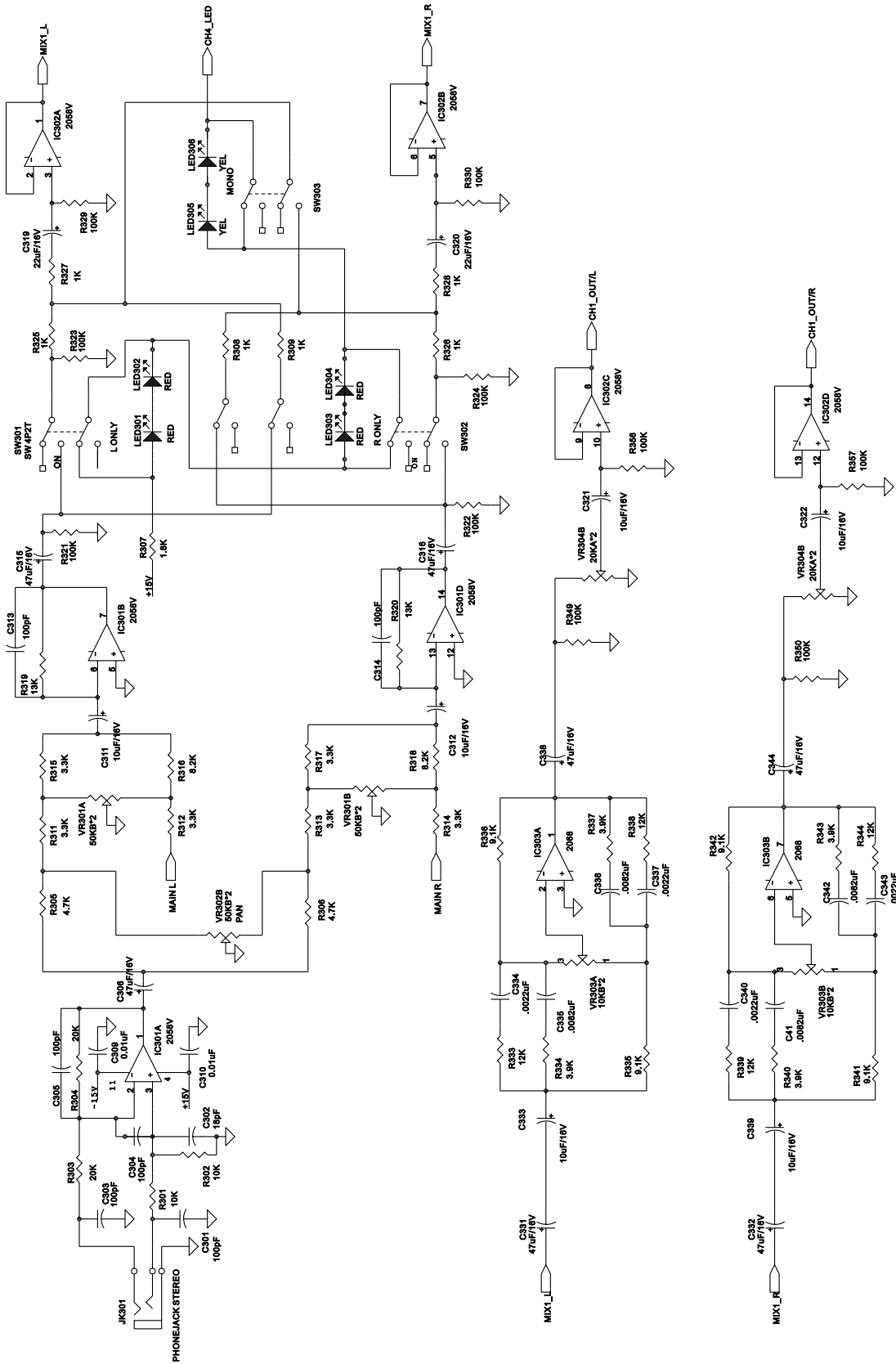
CH1



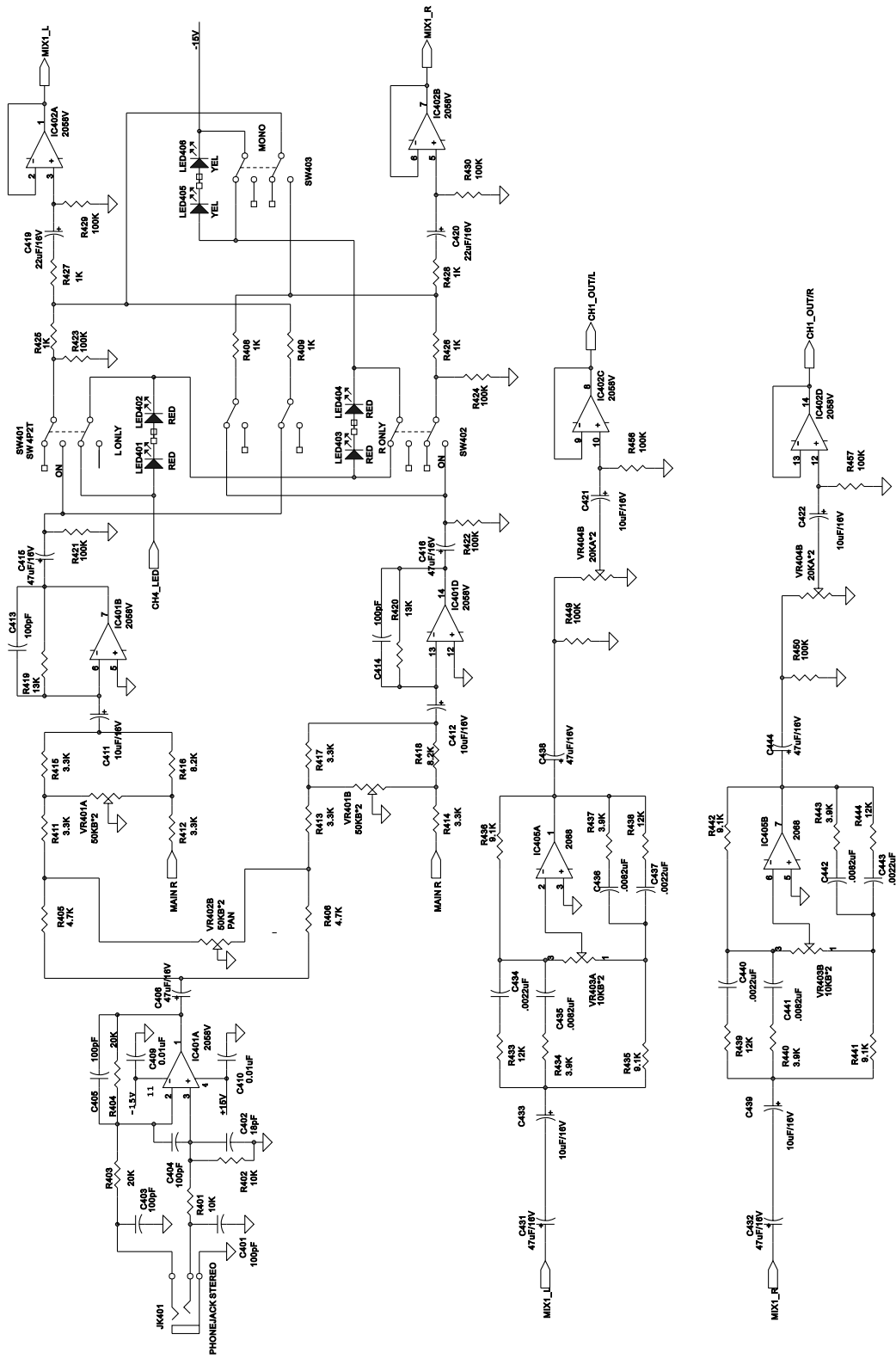
CH2



CH3



CH4



**MASTER PCB-PART LIST**

<b>Ref.</b>	<b>Phonic Part No.</b>	<b>Specifications</b>
R18A-18D.19A-19D.585.586	000-22126-400-0	CF RES. 220 J 0.25W T
R17A-17D.127.128.227.228.327.328.427.428.511.512.588	008-01022-600-0	CHIP RES. 1K J 0603
R101.102.103.104.203.204.303.304.403.404.201.202.301.302.401.402.521.523	008-01032-600-0	CHIP RES. 10K J 0603
R121.122.129.130.156.157.221.222.229.230.256.257.321.322.329.330	008-01042-600-0	CHIP RES. 100K J 0603
R356.357.421.422.429.430.456.457.513.514.3A.3B.3C.3D	008-01042-600-1	
R2A-2D	008-01232-600-0	CHIP RES. 12K J 0603
R119.120.219.220.319.320.419.420.1A-1D	008-01332-600-0	CHIP RES. 13K J 0603
R555.556	008-02732-600-0	CHIP RES. 27K J 0603
R111-114.211-214.311-314.411-414	008-03322-600-0	CHIP RES. 3.3K J 0603
R522.524	008-03622-600-0	CHIP RES. 3.6K J 0603
R558	008-03932-600-0	CHIP RES. 39K J 0603
R4A-4D.105.106.205.206.305.306.405.406.560	008-04722-600-0	CHIP RES. 4.7K J 0603
R519.520	008-04732-600-0	CHIP RES. 47K J 0603
R116.118.216.218.316.318.416.418	008-08222-600-0	CHIP RES. 8.2K J 0603
R115.117.215.217.315.317.415.417	008-09122-600-0	CHIP RES. 9.1K J 0603
C1A-1D.111.112.121.122.211.212.221.222.311.312.321.322.411.412.421.422.513.514.	035-10636-0A0-0	MINI E/C 10MF M 25V T
C552	035-10636-0A0-1	
C119.120.219.220.319.320.419.420	035-22636-0A0-0	MINI E/C 22MF M 25V T
C2A-2D.115.116.131.132.215.216.231.232.315.316.331.332.415.416.431.432.545.546.	035-47626-0A0-0	MINI E/C 47MF M 16V 5*7 T
C106.206.306.406.554	035-47626-0A0-1	

<b>Ref.</b>	<b>Phonic Part No.</b>	<b>Specifications</b>
C101.103.113.114.201.20 3.213.214.301.303.313.31 4.401.403.413.414	039-10124-220-0	CHIP C/C 100PF J 50V 0603
C515.516.523.524.105.20 5.305.405	039-10124-220-1	
C109.110.209.210.309.31 0.409.410.517.518	039-10325-220-0	CHIP C/C 0.01MF K 50V 0603
C102.202.302.402	039-18024-220-0	CHIP C/C 18PF J 50V 0603
D1A-1D.2A-2D.505.506	090-02000-020-0	DIODE 1N4148 T26MM MINI
IC101.102.201.202.301.3 02.401.402	160-00022-710-0	IC NJM2058V (SMD)
IC1A-1D.500.502	160-00024-100-0	IC NJM4580M DMP JRC
CN101.201.301.401	211-09060-010-0	6P B.E/S
CN501	211-09090-010-0	9P B.E./S
CN102.202.302.402	211-09220-010-0	22P B.E./S
JP3.4	212-10031-010-8	WAFER/P 90MM UL1007#24 PH=2.5MM
JP1.2	212-10032-000-8	3P WAFER/P 55MM
JP503	212-10051-210-0	5P WAFER/P 400MM UL1007#26
JP100	212-10200-010-0	20P WAFER/P 250MM
	290-66300-100-0	PCB A6300 MASTER

## VR PCB-PART LIST

Ref.	Phonic Part No.	Specifications
R107.307	000-18236-400-0	CF RES. 1.8K J 1/2W T
R5A-5D.564	000-22126-400-0	CF RES. 220 J 0.25W T
R600	000-47226-400-0	CF RES. 4K7 J 0.25W T
R108.109.208.209.308.309 .408.409.125.126.225.226. 325.326.425.426	008-01022-600-0	CHIP RES. 1K J 0603
R7A-7D.566	008-01032-600-0	CHIP RES. 10K J 0603
R123.124.223.224.323.324 .423.424	008-01042-600-0	CHIP RES. 100K J 0603
R133.233.333.433.138.238 .338.438.139.239.339.439. 144.244.344.444	008-01232-600-0	CHIP RES. 12K J 0603
R20A-20D.584	008-01532-600-0	CHIP RES. 15K J 0603
R11A-11D.580	008-01812-600-0	CHIP RES. 180 J 0603
R12A-12D.581	008-02212-600-0	CHIP RES. 220 J 0603
R10A-10D.579	008-02412-600-0	CHIP RES. 240 J 0603
R9A-9D.13A-13D.578.582	008-02712-600-0	CHIP RES. 270 J 0603
R583	008-03322-600-0	CHIP RES. 3.3K J 0603
R16A-16D.576	008-03902-600-0	CHIP RES. 39 J 0603
R134.234.334.434.137.237 .337.437.140.240.340.440. 143.243.343.443	008-03922-600-0	CHIP RES. 3K9 J 0603
R6A-6D.565	008-05112-600-0	CHIP RES. 510 J 0603
R14A-14D	008-06822-600-0	CHIP RES. 6K8 J 0603
R8A-8D.577	008-08202-600-0	CHIP RES. 82 J 0603
R141.241.341.441.142.242 .342.442.135.235.335.435. 136.236.336.436	008-09122-600-0	CHIP RES. 9.1K J 0603
VR102.202.302.402	023-10350-010-0	D.ROT/VR 10KB(C.C) 30MM P
VR104.204.304.404.501	023-20350-001-0	D.ROT/VR 20KA 30MM P
VR101.201.301.401.103.2 03.303.403	023-50350-001-0	D.ROT/VR 50KB 30MM P
C547.548	030-10626-0A0-0	E/C 10MF M 16V 5*11 T
C138.238.338.438.144.244 .344.444	035-47626-0A0-0	MINI E/C 47MF M 16V 5*7 T
C134.234.334.434.137.237 .337.437.140.240.340.440. 143.243.343.443	039-22224-220-0	CHIP C/C 0.0022UF J 50V 0603
C135.235.335.435.136.236 .336.436.141.241.341.441. 142.242.342.442	039-82224-220-0	CHIP C/C 0.0082UF 50V J 0603 X7R
D3A-3D.4A-4D.507.508	090-02000-020-0	DIODE 1N4148 T26MM MINI

<b>Ref.</b>	<b>Phonic Part No.</b>	<b>Specifications</b>
LED101-104.201-204.301-304.401-404	100-00010-030-0	LED BL-B5141 RED
LED105.205.305.405.106.206.306.406	100-00040-000-0	LED BL-B3141 YLW
LED600	100-00150-040-0	LED 2*4mm BL-RGE131 Green
LED8A-8D.516	100-00410-000-0	LED BL-S5149 RED
LED6A-6D.7A-7D.514.515	100-00440-000-0	LED BL-S3149 YLW
LED1A-1D.2A-2D.3A-3D.4A-4D.5A-5D.509-513	100-00450-000-0	LED BL-S2149 GREEN
Q1A-1D.502	121-00006-100-0	TRAN. MJE350 MOTOROLA
IC2A-2D.3A-3D.509.510	160-00006-210-0	IC LM339 SOP (SMD)
IC105.205.305.405	160-00024-100-0	IC NJM4580M DMP JRC
SW103.203.303.403	210-02201-440-0	PSH/SW 2P2T SFPC12MC03-PF
SW101.102.201.202.301.302.401.402	210-02402-030-0	PSH/SW SFPE14MA03-PJ
JK503	211-01602-590-0	PHONE/JACK
JK101.201.301.401.104.204.304.404	211-01602-610-0	6D3/J
JP101.201.301.401	211-09060-000-0	6P B.E/S
JP501	211-09090-000-0	9P B.E./S
JP102.202.302.402	211-09220-000-0	22P B.E./S
JP601	212-10021-000-0	2P WAFER/P PMC-006
	290-66300-200-0	PCB A6300 VR



**AMP PCB-PART LIST**

<b>Ref.</b>	<b>Phonic Part No.</b>	<b>Specifications</b>
R155.156.255.256.355.35 6.455.456	000-10206-400-0	CF RES. 1K J 1/8W T
R162.163.262.263.362.36 3.462.463	000-47706-400-0	CF RES. 4.7 J 1/8W T
R161.160.260.261.360.36 1.460.461	000-51106-400-0	CF RES. 510 J 1/8 T
R158.159.258.259.358.35 9.458.459	000-56206-400-0	CF RES. 5K6 J 1/8W T
R166-171.266-271.366- 371.466-471	003-47083-600-0	CEMENT RES. 4.7 J 5W
R541.542.545.546.549.55 0.553.554	008-01012-600-0	CHIP RES. 100 J 0603
R501.502.503.504.505.50 6.507.508	008-01032-600-0	CHIP RES. 10K J 0603
R531.534.535.538	008-01042-600-0	CHIP RES. 100K J 0603
R533.537	008-02432-600-0	CHIP RES. 24K J 0603
R509.510.532.536.539.54 0.543.544.547.548	008-04732-600-0	CHIP RES. 47K J 0603
C559.560	030-10846-000-0	E/C 1000MF M 35V 10*21 T
C555.556	030-33848-003-0	E/C 3300MF Z 35V 18*32 P
C144.145.244.245.344.34 5.444.445	030-47748-0A0-0	E/C 470MF 35V 10*21
C141-143.241-243.341- 343.441-443	035-10556-0A0-0	MINI E/C 1MF M 50V T
C557.558	035-10736-0A0-0	MINI E/C 100MF M 25V T (6*7)
C511.512.533-536.541- 544	035-47626-0A0-0	MINI E/C 47MF M 16V 5*7 T
C530.540	039-10024-220-0	CHIP C/C 10PF J 50V 0603
C501.502.507.508.529.53 7.504.510	039-10124-220-0	CHIP C/C 100PF J 50V 0603
	039-10325-220-0	CHIP C/C 0.01MF K 50V 0603
C503.509	039-18024-220-0	CHIP C/C 18PF J 50V 0603
C146.246.346.446.147.24 7.347.447	040-10425-160-0	ML/C 0.1UF 50V K X7R P
C1	058-47236-000-0	LINE/C 4700PF M 400V MURATA
C2	058-47485-000-0	LINE/C 0.47UF K 300V
D509-512	090-00007-020-0	DIODE IN4004 SILTEK T
DB2	090-10000-000-0	B/DIODE PB154
DB1	090-10004-000-0	B/DIODE PBL405 SILTEK
IC513	160-00002-904-0	IC 7915 NS
IC512	160-00005-002-0	IC 7815 NS
IC501.504.505	160-00024-100-0	IC NJM4580M DMP JRC
IC1.2.3.4	160-00026-300-0	IC TDA7265

<b>Ref.</b>	<b>Phonic Part No.</b>	<b>Specifications</b>
JK102.103.202.203.302.3 03.402.403.506.507	211-01602-550-0	6D3/J PJB0661-6
JK504.505	211-03300-131-0	XLR/J 93M-108P/1
JK501.502	211-03300-250-0	XLR/JACK 97M-1007PW-H
CN100	211-09202-000-0	20P B.E./S 180c
CN601	211-10020-000-0	2P WAFER/S 2.0MM
CN1-4	211-10031-171-0	3P WAFER/S TJC3-3A PH=2.5MM 180
CN503	211-10051-151-0	5P WAFER/S TJC3-5A PH=2.5MM 180
PS1.2	211-24303-000-6	3P SCREW/T TS-201-3P
F501.502	280-5016D-300-0	FUSE 0.5A 250V CE F
F501.502	281-00000-020-0	FUSE CLIP FH-1206
	290-66300-300-0	PCB A6300 REAR
FOR IC1-4	313-00000-010-0	WASHER TO-3P
IC512.513	526-20001-110-0	HEAT SINK BLK 19*13*12 L=19MM
IC512.513	590-43008-100-0	M/E PAN SCR. M3.0*8 NI
IC512.513	600-00302-210-0	HEX. NUT M3.0*2.2 NI
IC1-4.512.513	610-60300-501-0	PAN SPR. WAS D3.0*D5.3*0.5 NI
	615-20128-620-0	LED BAR. ABS BLK

**POWER REQUIREMENT CLASSIFICATION**

<b>Ref.</b>	<b>Phonic Part No.</b>	<b>Specifications</b>
SA	070-60158-800-0	X'MER A6300
	280-1226C-000-0	FUSE 1.25A 250V VDE/UL/SAA/BS/SA S
	370-06010-321-6	P/CORD 10A/250V SA 2.5M 3P
JIS	070-60150-600-0	X'MER 100V JIS A6300
	280-20263-000-0	FUSE T2A 250V VDE S
	370-16510-629-0	P/CORD 7A 125V 2P 6F JIS
UL	070-60158-800-0	X'MER A6300
	280-20263-000-0	FUSE T2A 250V VDE S
	370-08010-721-0	P/CORD 120V 10A 6F 3PUL/CSA
	070-60152-100-0	X'MER 127V A6300
	280-20263-000-0	FUSE T2A 250V VDE S
	370-08010-721-0	P/CORD 120V 10A 6F 3PUL/CSA
IEC	070-60158-800-0	X'MER A6300
	280-1226C-000-0	FUSE 1.25A 250V VDE/UL/SAA/BS/SA S
	370-15010-921-0	P/CORD IEC 10A 6F 3P SVT
BS	070-60158-800-0	X'MER A6300
	280-1226C-000-0	FUSE 1.25A 250V VDE/UL/SAA/BS/SA S
	370-01010-921-0	P/CORD 240V 10A 6F 3P
	573-10032-010-0	POWER LABEL (ONLY USED IN BS)
SAA	070-60158-800-0	X'MER A6300
	280-1226C-000-0	FUSE 1.25A 250V VDE/UL/SAA/BS/SA S
	370-11010-821-0	P/CORD 240V 10A 6F 3P SAA SVT

**PHONIC**  
[www.phonic.com](http://www.phonic.com)