

IMPRESSION 15

SERVICE MANUAL



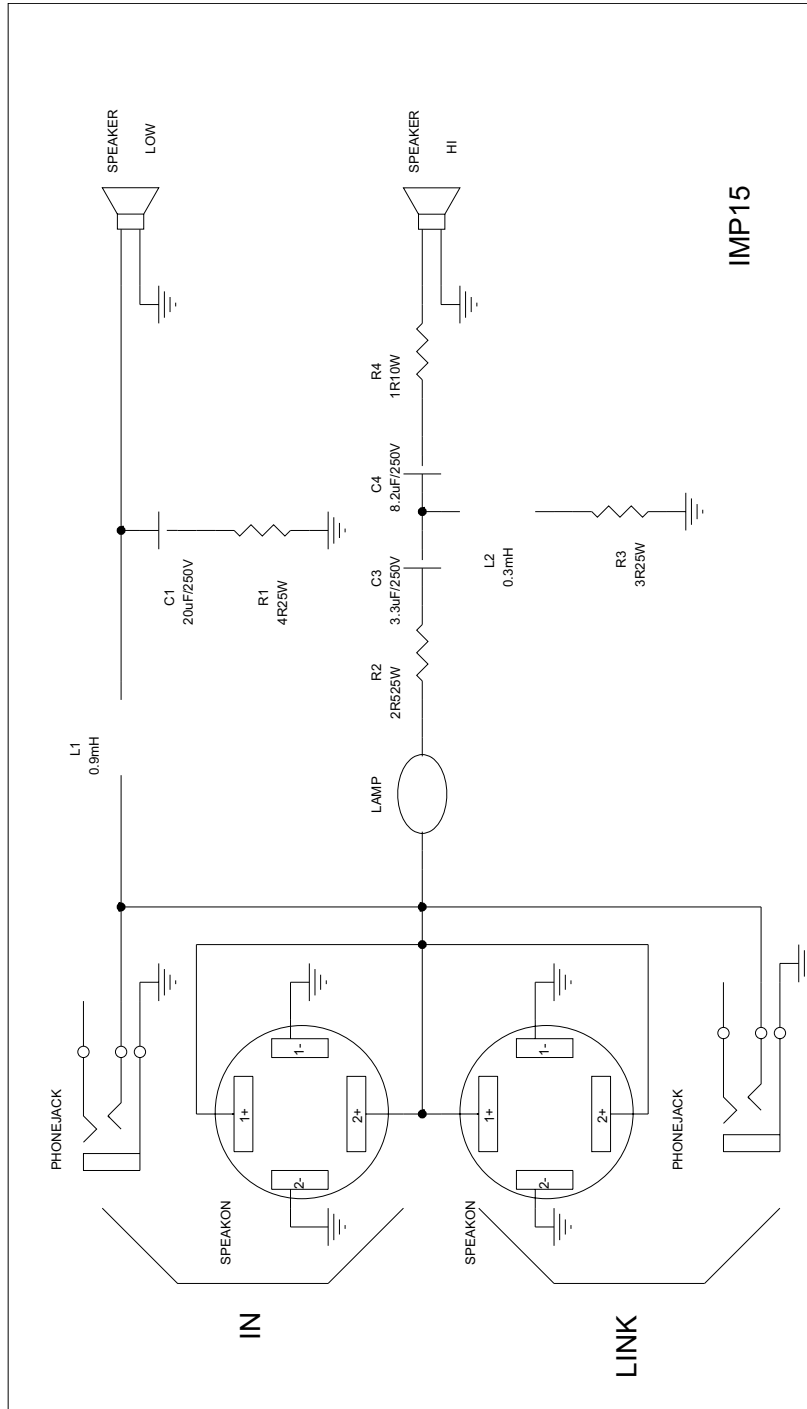
IMPRESSION 15

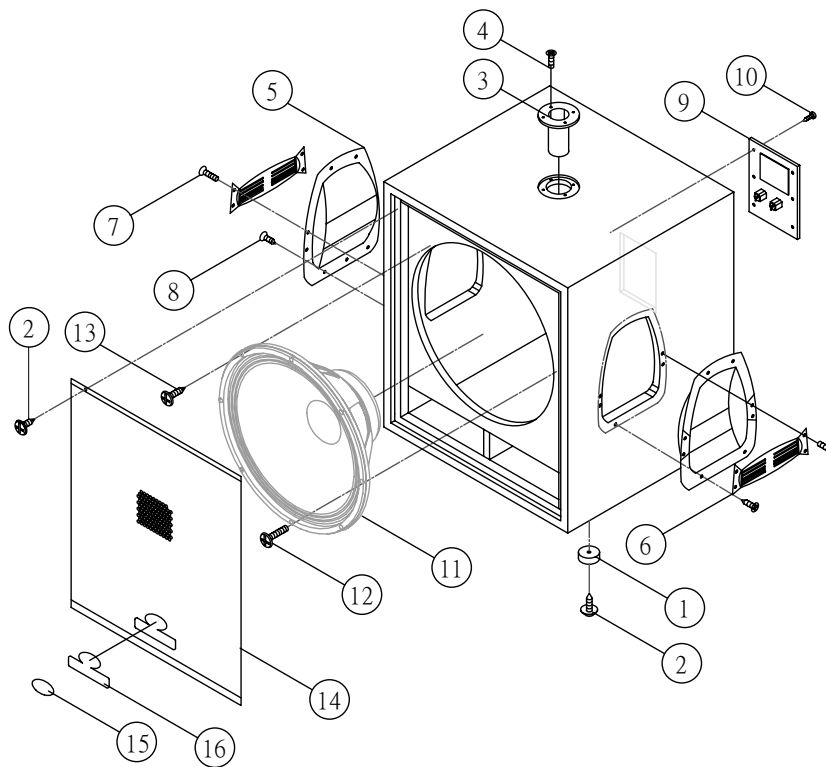
SERVICE MANUAL

CONTENTS

	PAGE
PANEL LAYOUT	3
POWER SUPPLY	4
BOM	
MISCELLANEOUS ITEMS	6
WOOD CASE-PART LIST	8

POWER SUPPLY





1	525-60018-010-0	FEET D38*D5*101	4
2	593-54020-200-0	T/B SCR. 4*20 BLK D6.5	14
3	615-70003-210-0	ROT BOSS D35*D108*89 SF1308	1
4	590-06030-200-0	W/E FLT SCR. M6*30 D1.1 BLK	4
5	552-20078-420-0	HANDLE 181*220*4.51 ABS BLK	2
6	524-20010-010-0	HANDLE 56*180 3.6mm	2
7	590-05035-200-0	W/E FLT M5*35 D8.5 BLK	8
8	592-04022-200-0	W/O FLT SCR. 4*22 BLK D8.5	10
9	552-60050-000-0	140*160*2T IMP15SD	1
10	592-54030-200-0	W/O SET SCR. D4*30 BLK	6
11	341-15018-900-0	L/W SPK15" 4ohm 350W IMP15SD	1
12	590-56035-200-0	W/E SET SCR. M5*35 BLK D8	4
13	592-54018-200-0	W/O SET SCREW M4*18 BLK D8	4
14	528-60034-000-0	NET507*42*11 BLK	1
15	512-20690-090-0	LOAD PANEL 56*39.5*3t ES-11	1
16	512-20680-010-0	LOAD PANEL ES-11 58*90*0.3T	1

MISCELLANEOUS ITEMS

Ref.	Phonic Part No.	Specifications
	321-00000-020-0	CABLE TIE 140MM
	341-01408-800-0	TWEETER 8ohm 80W 44mm
	341-15007-820-0	WOOFER 15" 8ohm 150W
	512-20680-010-0	LOGO PANEL ES-II 58*90*0.3t
	512-20690-090-0	LOGO PANEL 56*39.5*3t ES-II
	524-60016-020-0	HANDLE 56*180 3.6mm
	525-60018-010-0	FEET D38*D5*10t BLK
	528-60032-000-0	NET 625*423*1t FH-211
	552-60046-430-0	HANDEL BLK
	560-61180-001-0	CARTON 728*418*432*418*533.5 K=A
	562-60327-000-0	PULP PANEL 472*380*365
	562-60328-000-0	LULP 660*274*162*187
	562-60335-000-0	PULP A=A
	562-70081-001-0	PULP 260*473*20 A=B
	566-60454-010-0	45*50Y*50MM
	566-70012-000-0	45*50Y*50T 18kg/M WHT
	568-00003-000-0	#10 240*340*0.05
	568-70015-000-7	PE BAG SIZE:880*1230*0.1t
	572-00000-050-0	DRYER 5g
	573-60240-000-0	BAR CODE LABEL PHONIC
	574-00150-110-0	OWN. MANU. PHONIC IMPRESSION
	590-06030-200-0	M/E FLT SCR. M6*30 D11 BLK
DRIVER*4	590-35015-200-0	M/E RUD SCR.M5.0*15 BLK
	590-54035-200-0	M/E SET SCR. M4.0*35 BLK
	590-56035-200-0	M/E SET SCR. M6*35 D8
	591-55050-200-0	T/P SET SCR. D5*50 BLK
	592-54018-200-0	W/O SET SCR. M4.0*18 BLK D8
	592-54030-200-0	W/O SET SCREW D4*30 BLK
	593-54020-200-0	T/B SCR. 4*20 BLK D6.5
	610-00401-202-0	PLA. WAS. D4.0*D12.0*1.0 BLK
	610-00501-202-7	WASHER D12*D5*1.2t BLK
	614-60009-620-0	TUBE 80*76*96 BLK
	615-70003-210-0	BOT BOSS D35*D108*89 SFJ308
	615-70012-640-0	PVC BOSS D6*D12*35 BLK
	638-60000-003-0	Driver 44mm 80hm 80W IMPRESSION12/15/ 215
	639-60000-010-0	HIGH HORN IMPRESSION

Ref.	Phonic Part No.	Specifications
R4	003-1008B-601-0	CEMENT RES 1ohm 25W J
R2	003-2508B-601-0	CEMENT RES. 2.5ohm 25W J AL
R3	003-3008B-601-0	CEMENT RES. 3ohm 25W J
R1	003-4008B-601-0	CEMENT RES. 4ohm 25W J
C1	048-20634-050-0	P.P/C 20MF 250V MKP J
C3	048-33534-050-0	P.P/C 3.3UF 250V J MKP -25__85
C4	048-82534-050-0	P.P/C 8.2UF 250V J
L2	075-30001-100-0	INDUCTANCE 0.3mH L=0.5
L1	075-90001-120-0	INDUCTANCE 0.9mH L=1.2
	211-01602-000-0	JACK D6.3mm BJ12-2 1/4"
	211-03400-021-0	SPEAKON/J SVP563S-CH
	211-13000-700-0	LAMP JACK D17*10t PH=5mm
	262-24000-700-0	LAMP 24V/75W
	290-70015-000-0	IMP12/15/215 PCB 108*134.5*1.6
	321-00000-020-0	CABLE TIE 140MM
PHONE JACK	379-04500-123-0	M.WIRE. UL1015#20 50MM RED
	380-60471-000-0	M.WIRE UL1015 #16 L=550 2*187T
T+/T-	380-60500-000-0	W.WIRE.UL1015#16 610MM 110/187# RED/BLK
	552-60028-500-F	TERMAINAL PANEL V.3 SERIES
	552-60045-500-0	FIXED 140*160*2t BLK
	590-03012-200-0	M/E FLT SCR. M3.0*12 BLK D=5.6mm
	590-53008-200-0	M/E SET SCR. M3.0*8 D=6 BLK
	600-00302-210-0	HEX. NUT M3.0*2.2 NI
	615-70006-630-0	BOSS M3*5*27.5

WOOD CASE-PART LIST

Ref.	Phonic Part No.	Specifications
	600-70000-040-7	M4
	600-70002-000-0	NUT M6 WHT Fe
	636-10002-100-0	BLK 50
	700-00900-000-7	9mm 1220*2440mm
	700-01500-000-7	15mm 1220*2440mm
	700-11500-000-7	15mm 15*1220*2440mm
	710-70000-000-7	PT-3670
	710-70001-010-7	15kg
	711-72000-000-7	F20
	711-73000-000-7	F30
	712-70000-530-7	20KG/
	714-70000-000-7	18KL

PHONIC
WWW.PHONIC.COM