

PROFESSIONAL GRAPHIC EQUALIZERS

MQ 3300/3400/3600

SERVICE MANUAL



PHONIC
WWW.PHONIC.COM

CONTENTS**PANEL LAYOUT**

MQ3300 PANEL LAYOUT.....	3
MQ3400 PANEL LAYOUT.....	4
MQ3600 PANEL LAYOUT.....	5

SYSTEM BLOCK DIAGRAM

MQ3300 SYSTEM BLOCK DIAGRAM.....	6
MQ3400 SYSTEM BLOCK DIAGRAM.....	7
MQ3600 SYSTEM BLOCK DIAGRAM.....	8

PCB

MQ3300 VR&SWITCH PCB.....	9
MQ3400 VR&SWITCH PCB.....	10
MQ3300 3400 3600MAIN BOARD PCB-A.....	11
MQ 3600 MAIN BOARD PCB-B.....	12
MQ 3600VR&SWITCH PCB.....	13
MQ3600 REGULATED IC PCB.....	14

SCHEMATIC**MQ3300**

EQUALIZER SCHEMATIC.....	15
INPUT&OUTPUT SCHEMATICS.....	16

MQ3400

EQUALIZER SCHEMATIC.....	17
CH1 INPUT&OUTPUT SCHEMATICS.....	18
CH2 INPUT&OUTPUT SCHEMATICS.....	19

MQ3600

EQUALIZER SCHEMATIC.....	20
CH1 INPUT&OUTPUT SCHEMATICS.....	21
CH2 INPUT&OUTPUT SCHEMATICS.....	22

PART LIST**MQ3300**

MAIN BOARD PCB-PART LIST.....	23
VR & SWITCH PCB-PART LIST.....	27
MISCELLANEOUS ITEMS.....	28
POWER REQUIREMENT CLASSIFICATION...30	

MQ3400

MAIN BOARD PCB-PART LIST.....	32
VR & SWITCH PCB-PART LIST.....	37
MISCELLANEOUS ITEMS.....	38
POWER REQUIREMENT CLASSIFICATION...40	

MQ3600

PCB-PART LIST.....	42
VR & SWITCH PCB-PART LIST.....	47
MISCELLANEOUS ITEMS.....	50
POWER REQUIREMENT CLASSIFICATION...53	

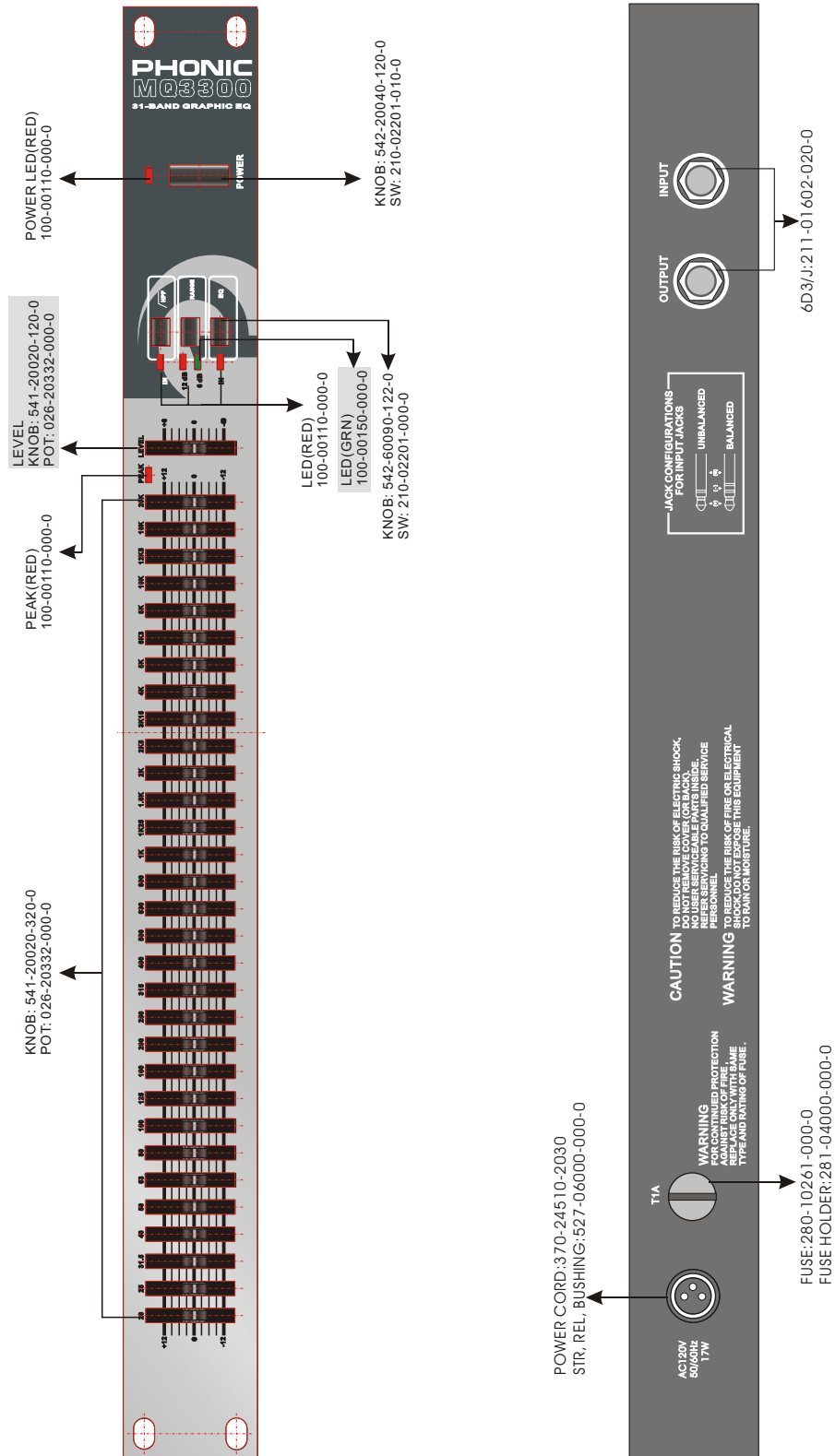
DIMENSIONS

MQ3300 DIMENSIONS.....	55
MQ3400 DIMENSIONS.....	56
MQ3600 DIMENSIONS.....	57

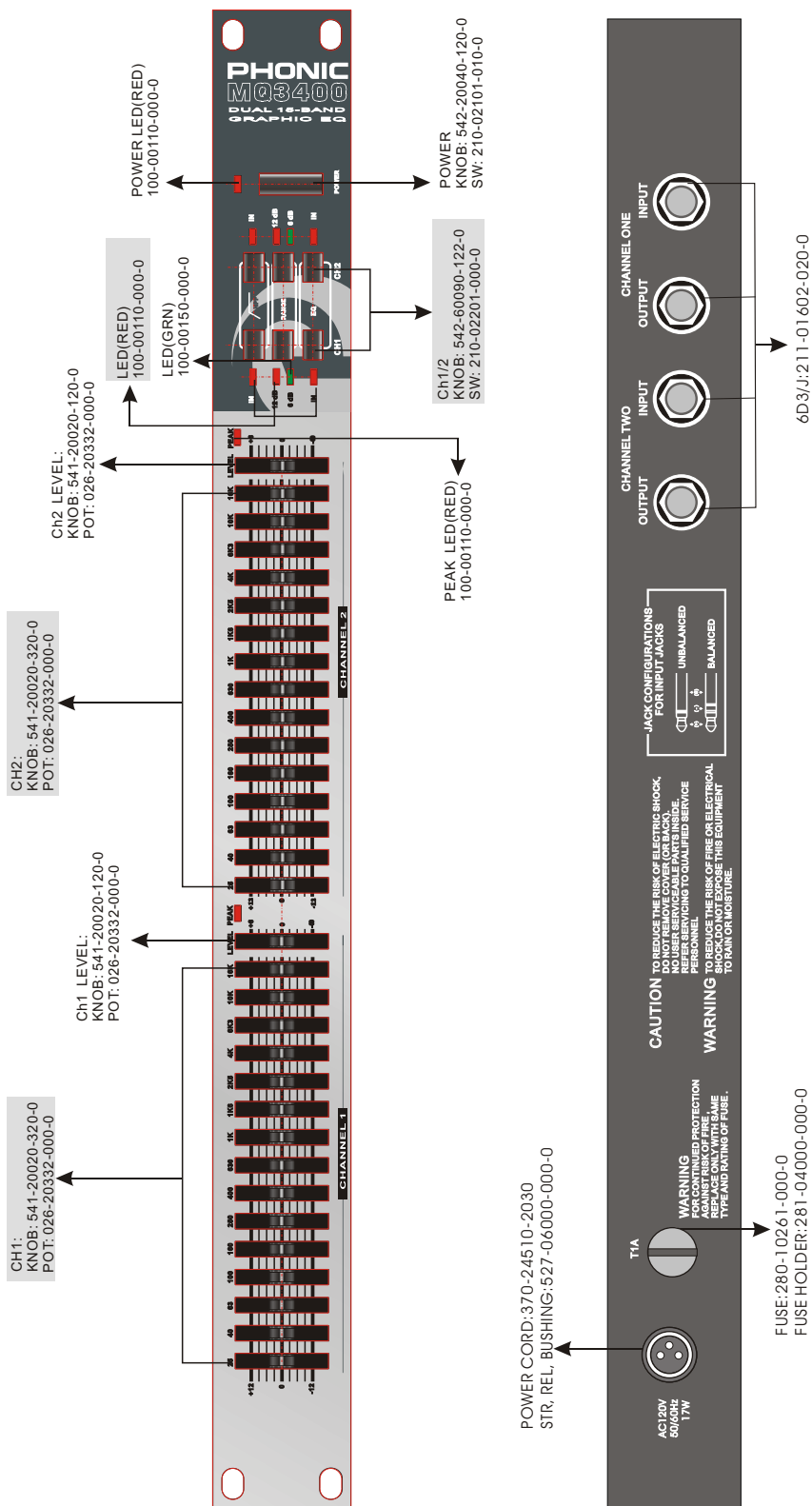
Phonic reserves the right to improve or alter any information supplied within this document without prior notice.

V2.1
09/11/02

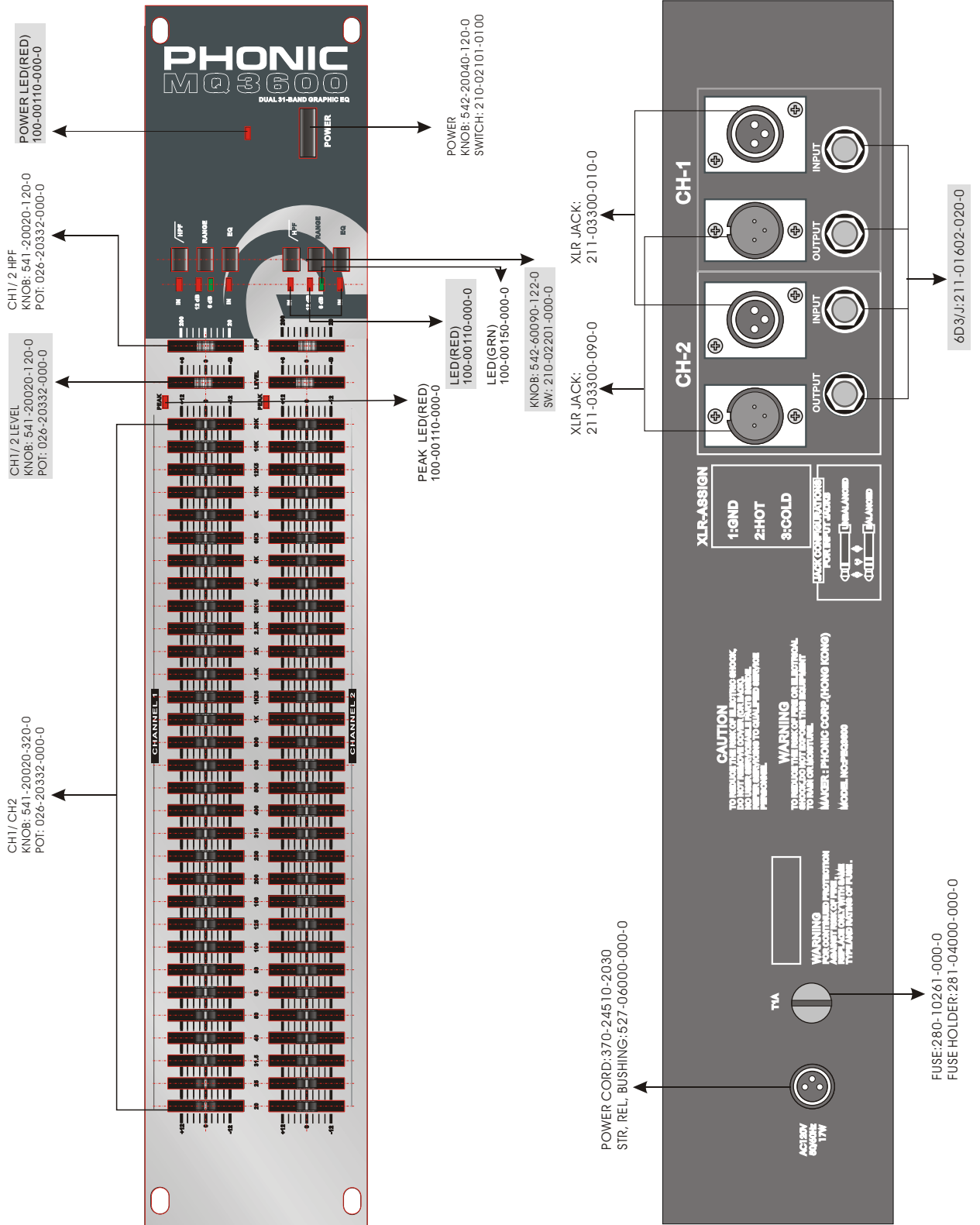
MQ 3300



MQ 3400



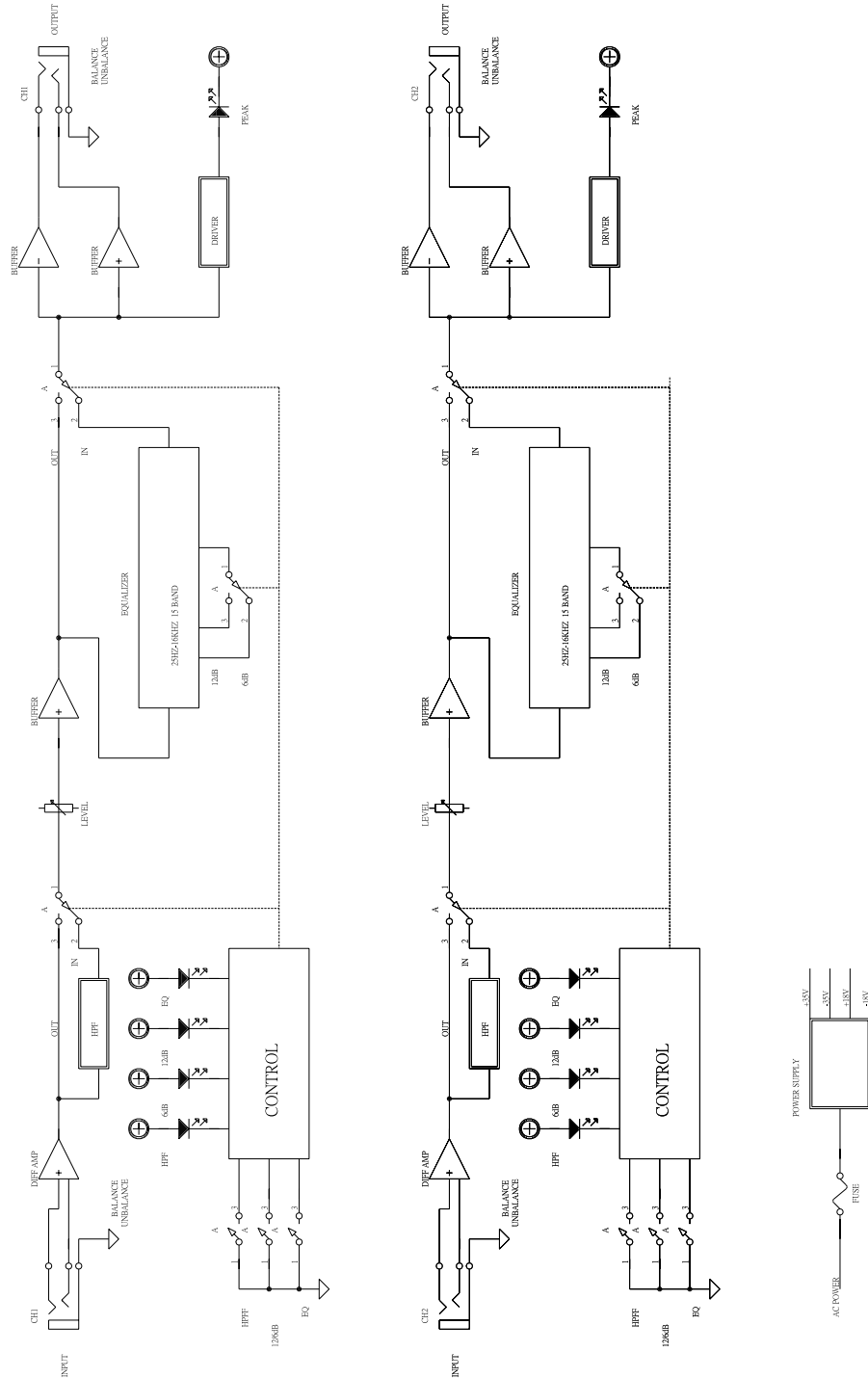
MQ 3600



MQ 3300 SYSTEM BLOCK DIAGRAM

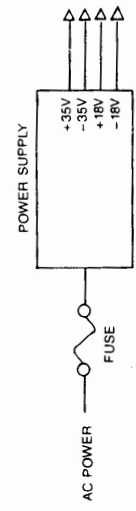
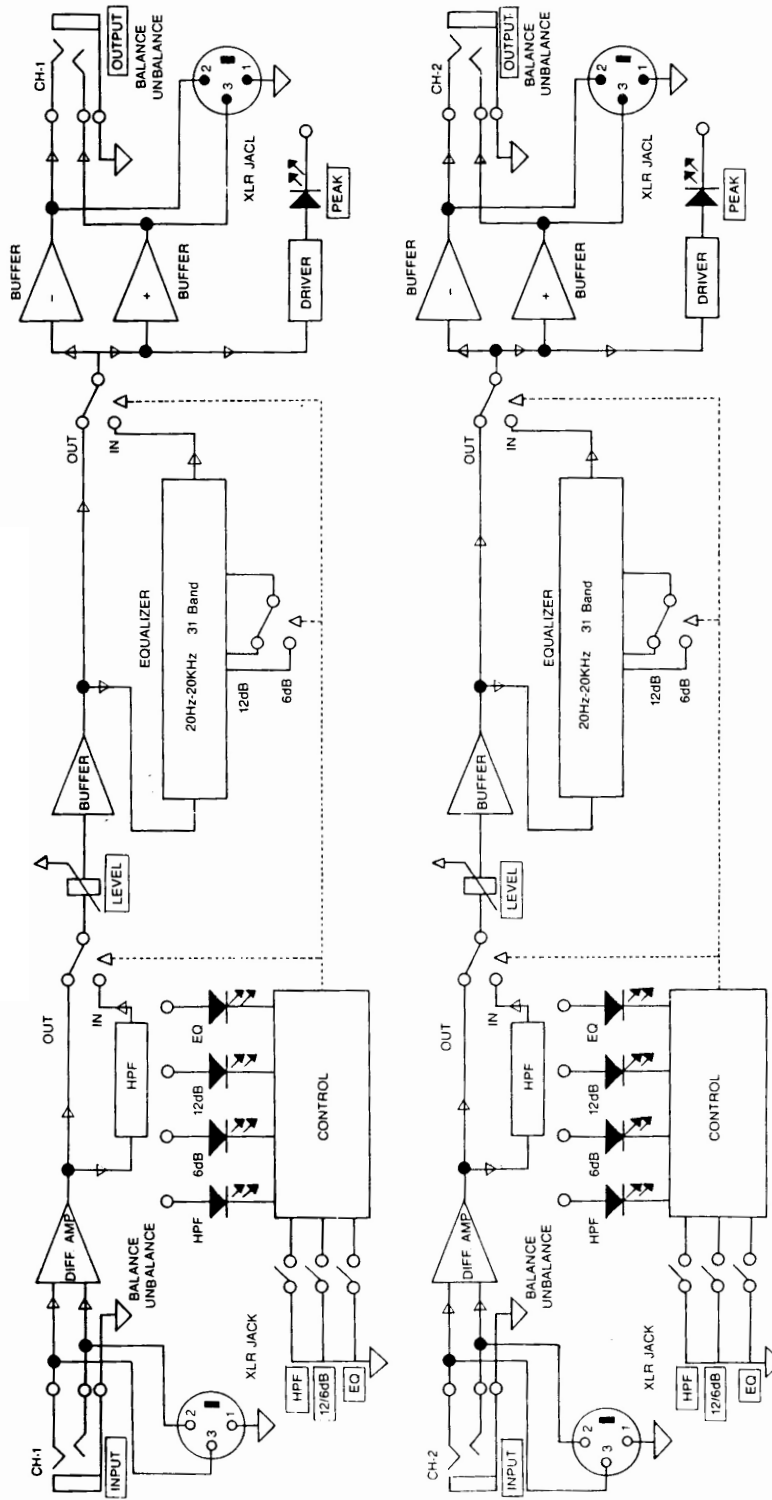
MQ 3300

PEQ215 block diagram



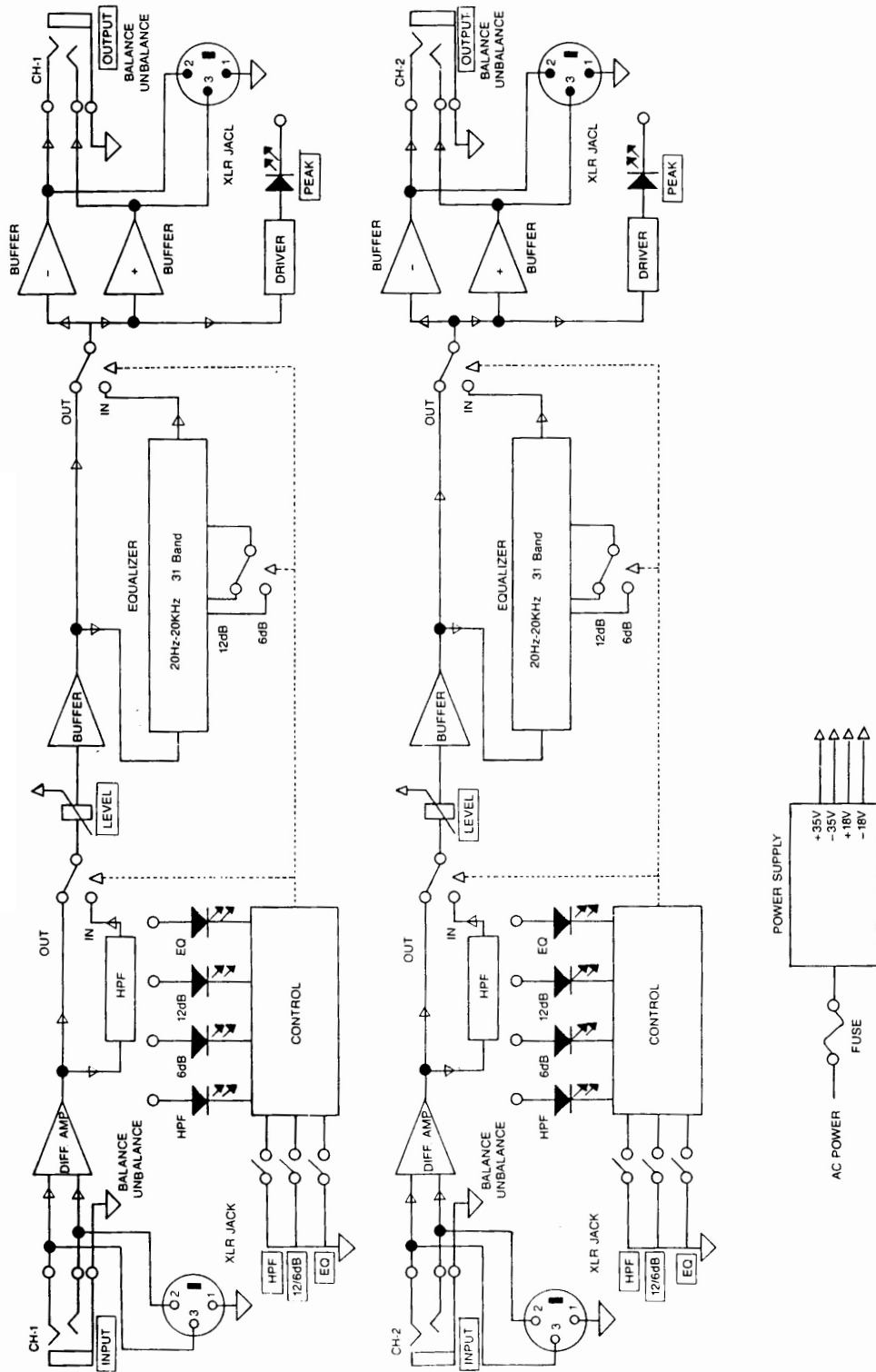
MQ 3400 SYSTEM BLOCK DIAGRAM

MQ 3400

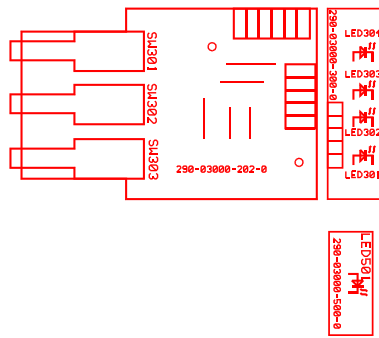


MQ 3600 SYSTEM BLOCK DIAGRAM

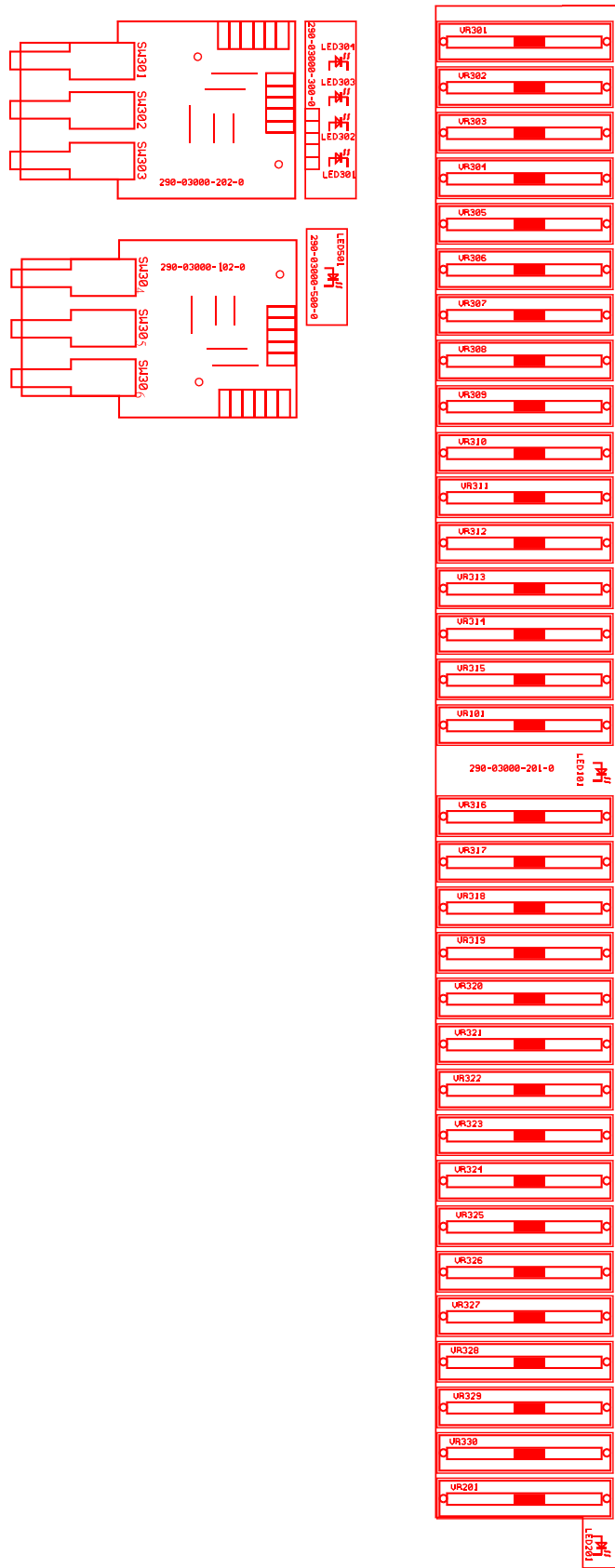
MQ 3600



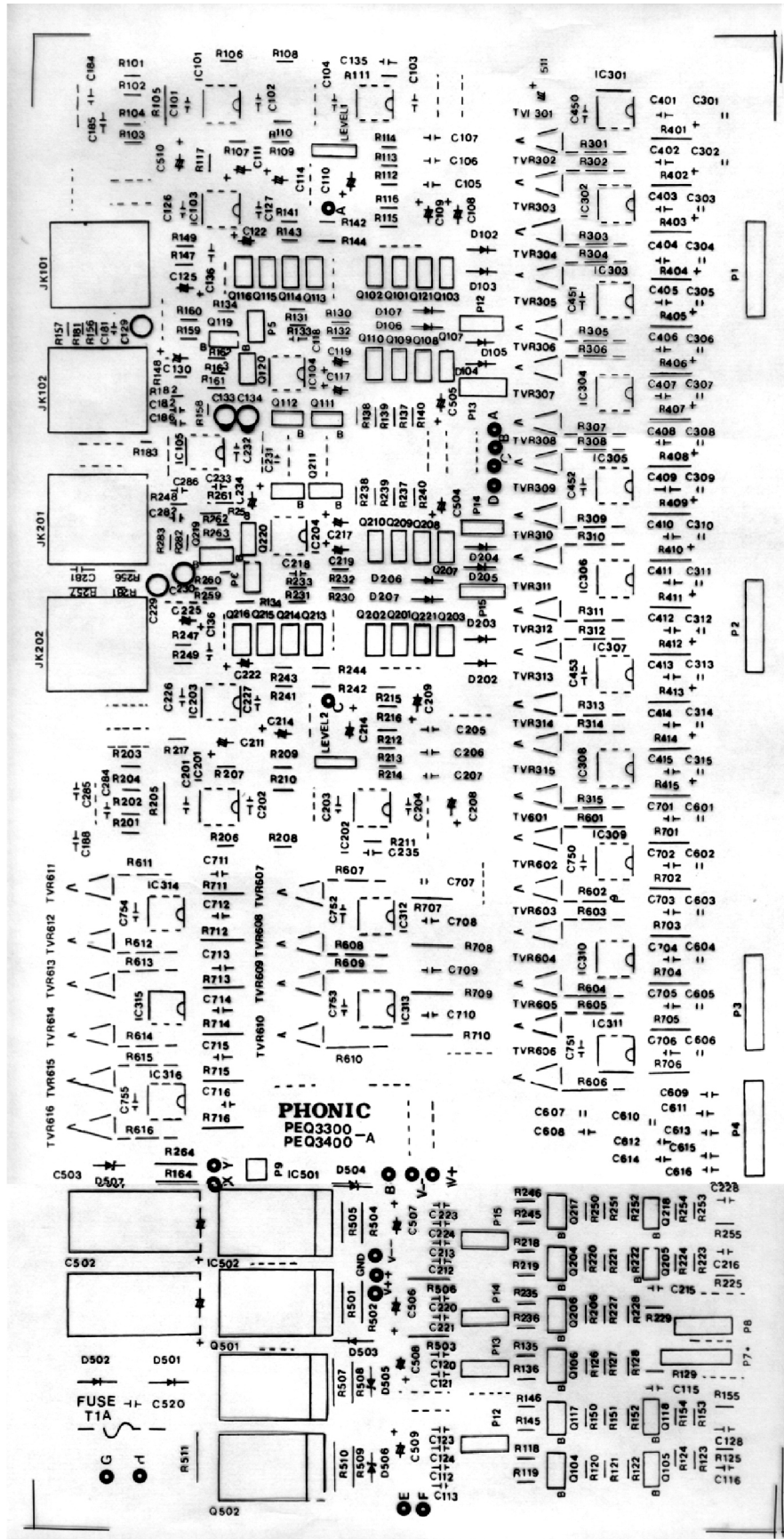
VR & SWITCH PCB



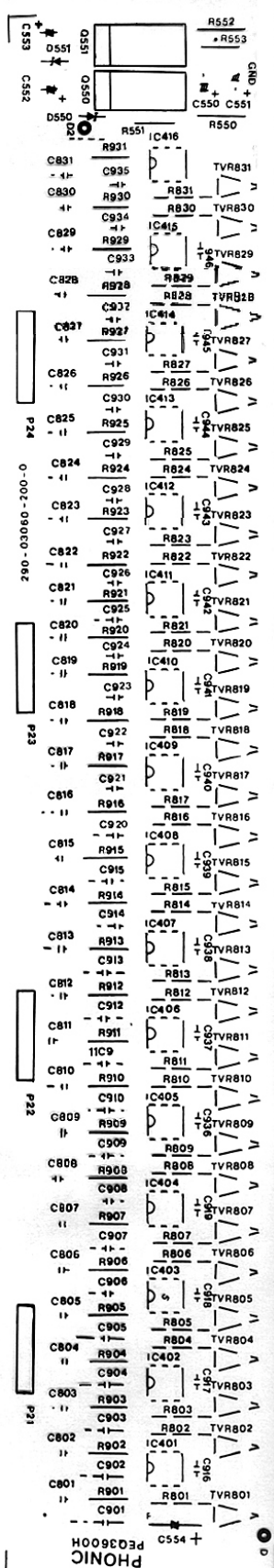
VR & SWITCH PCB



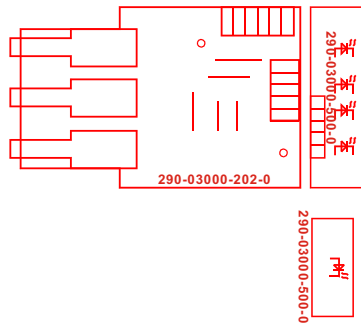
MQ 3300 3400 3600 MAIN BOARD PCB -A



MAIN BOARD PCB-B



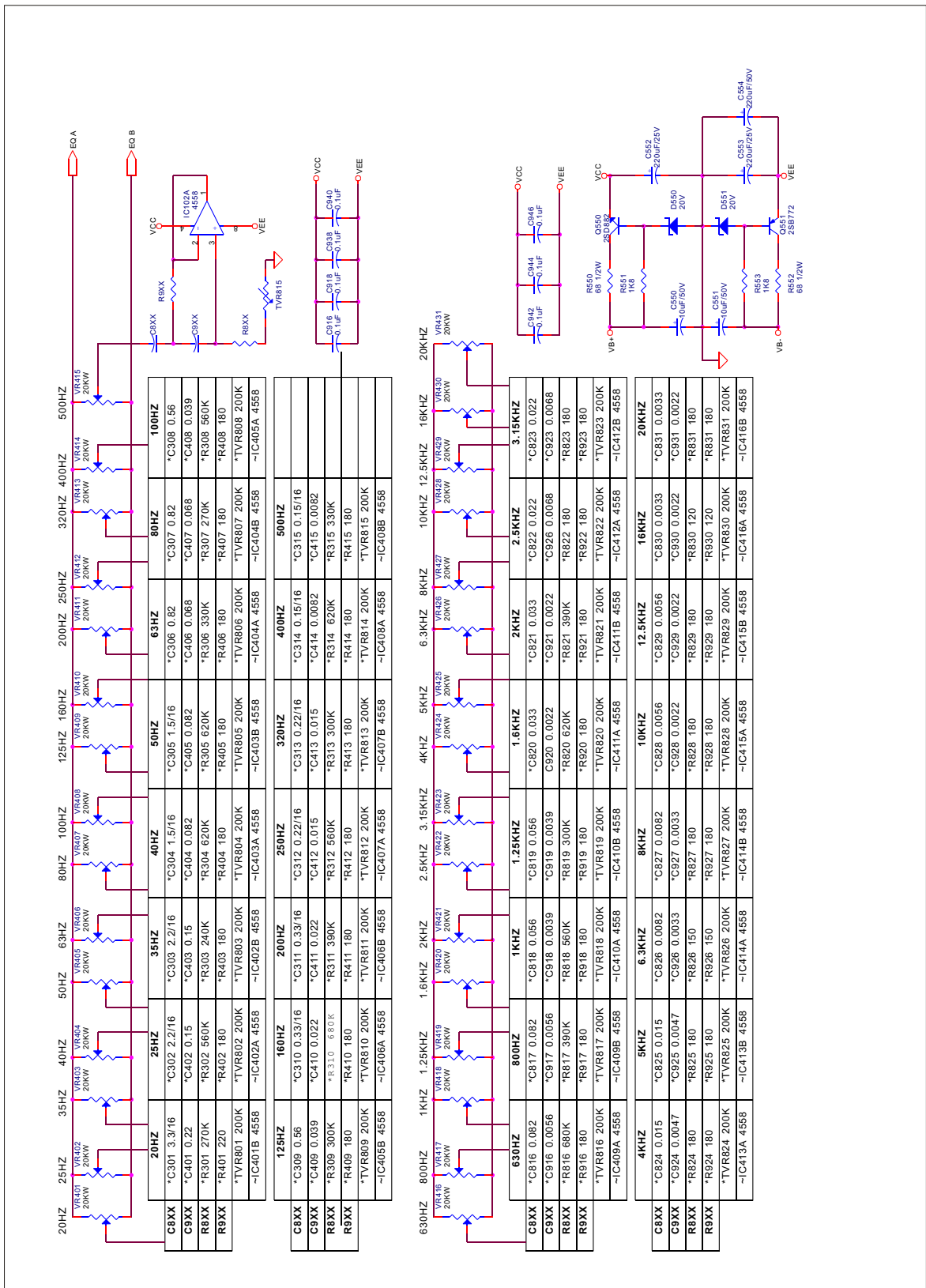
VR & SWITCH PCB



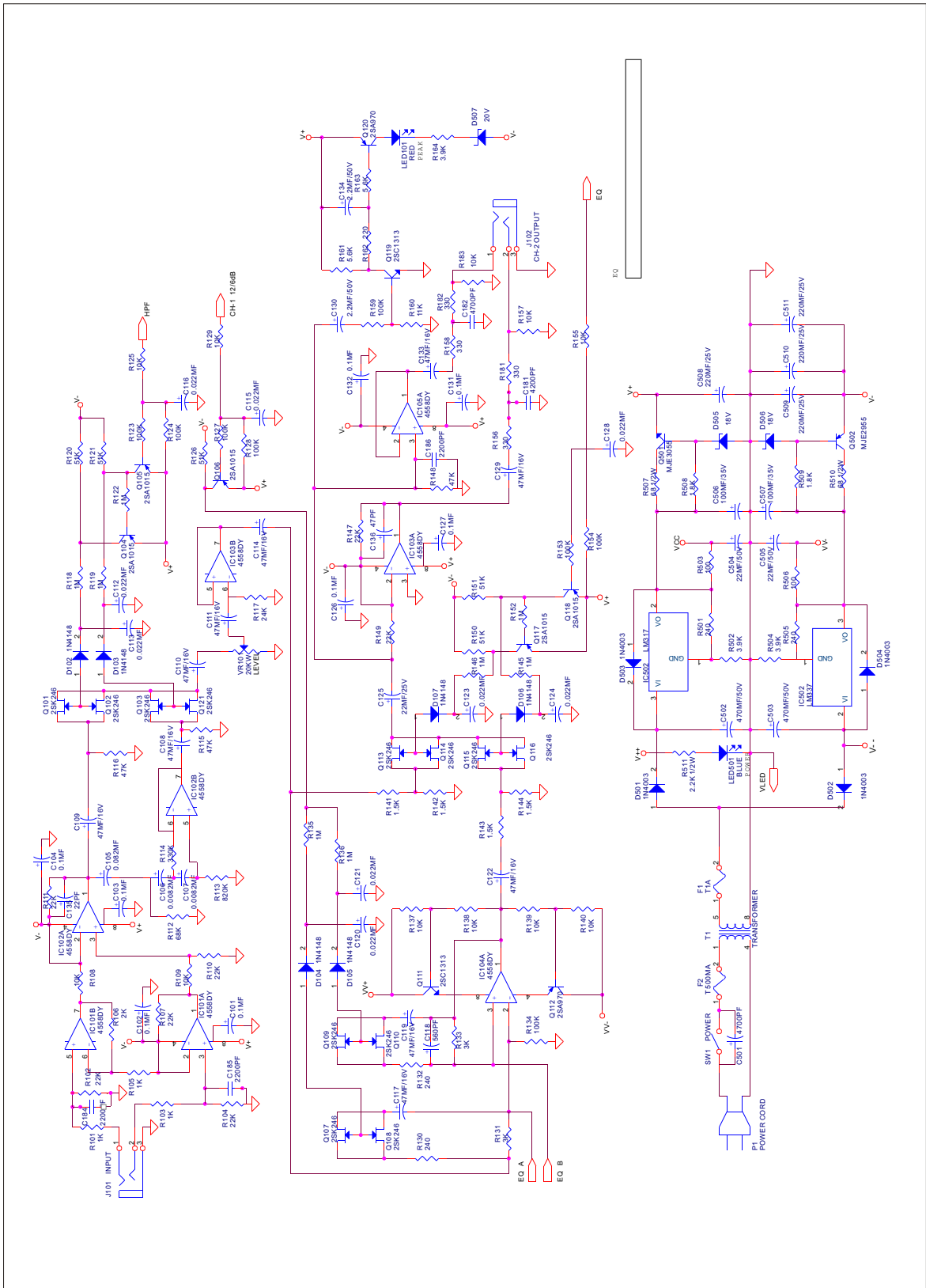
REGULATED POWER SUPPLY IC PCB



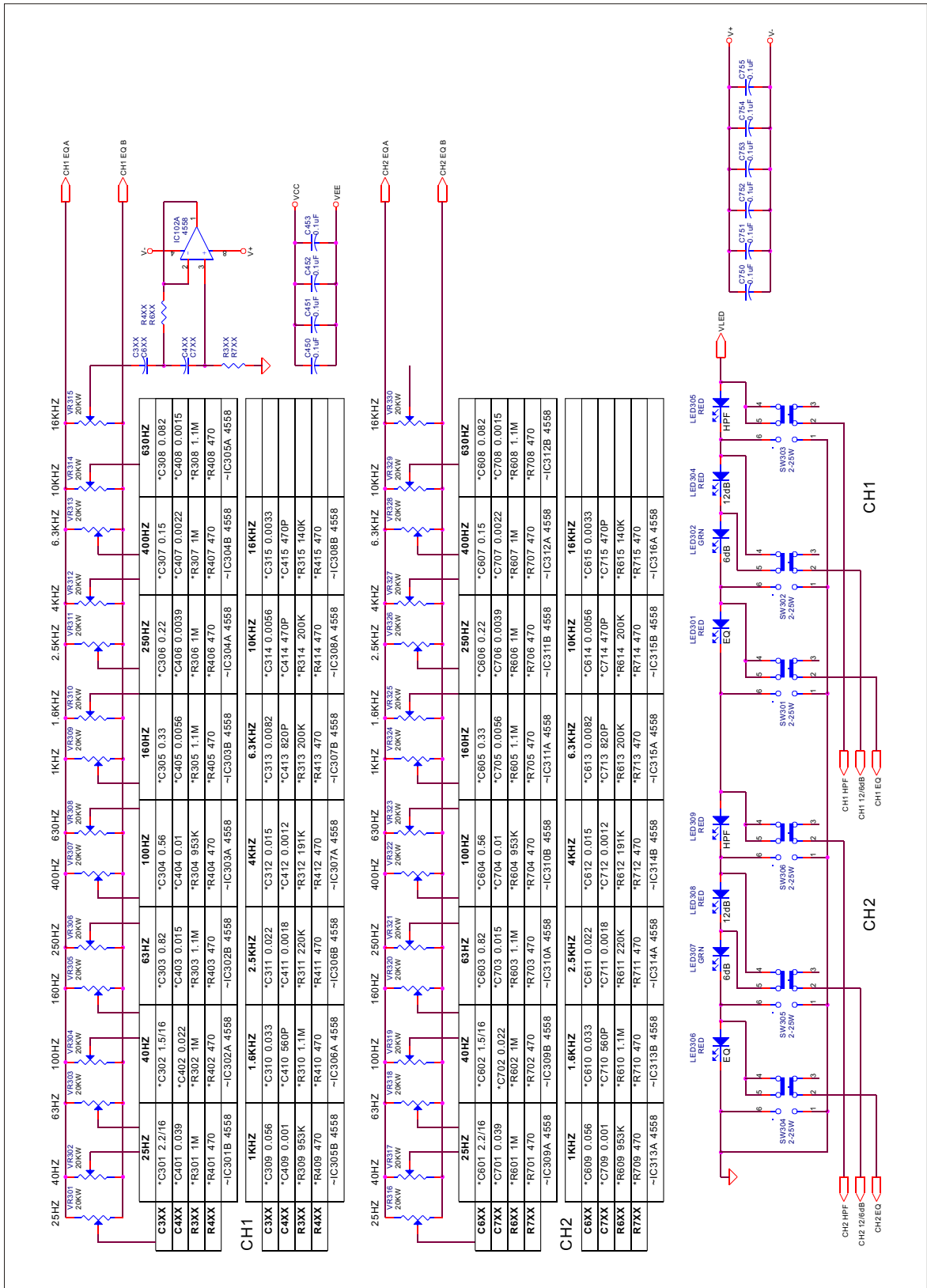
EQUALIZER SCHEMATIC



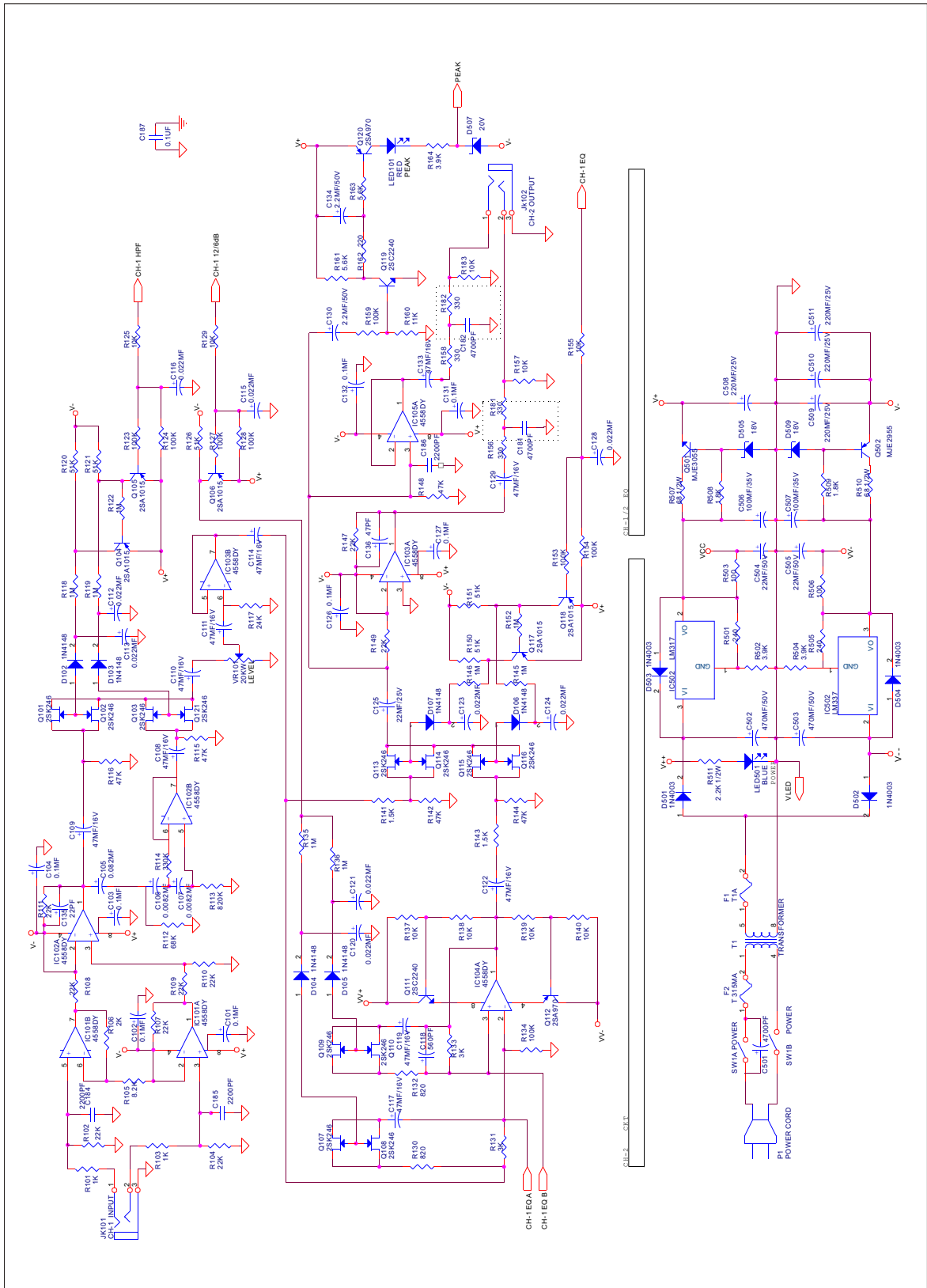
INPUT & OUTPUT SCHEMATICS



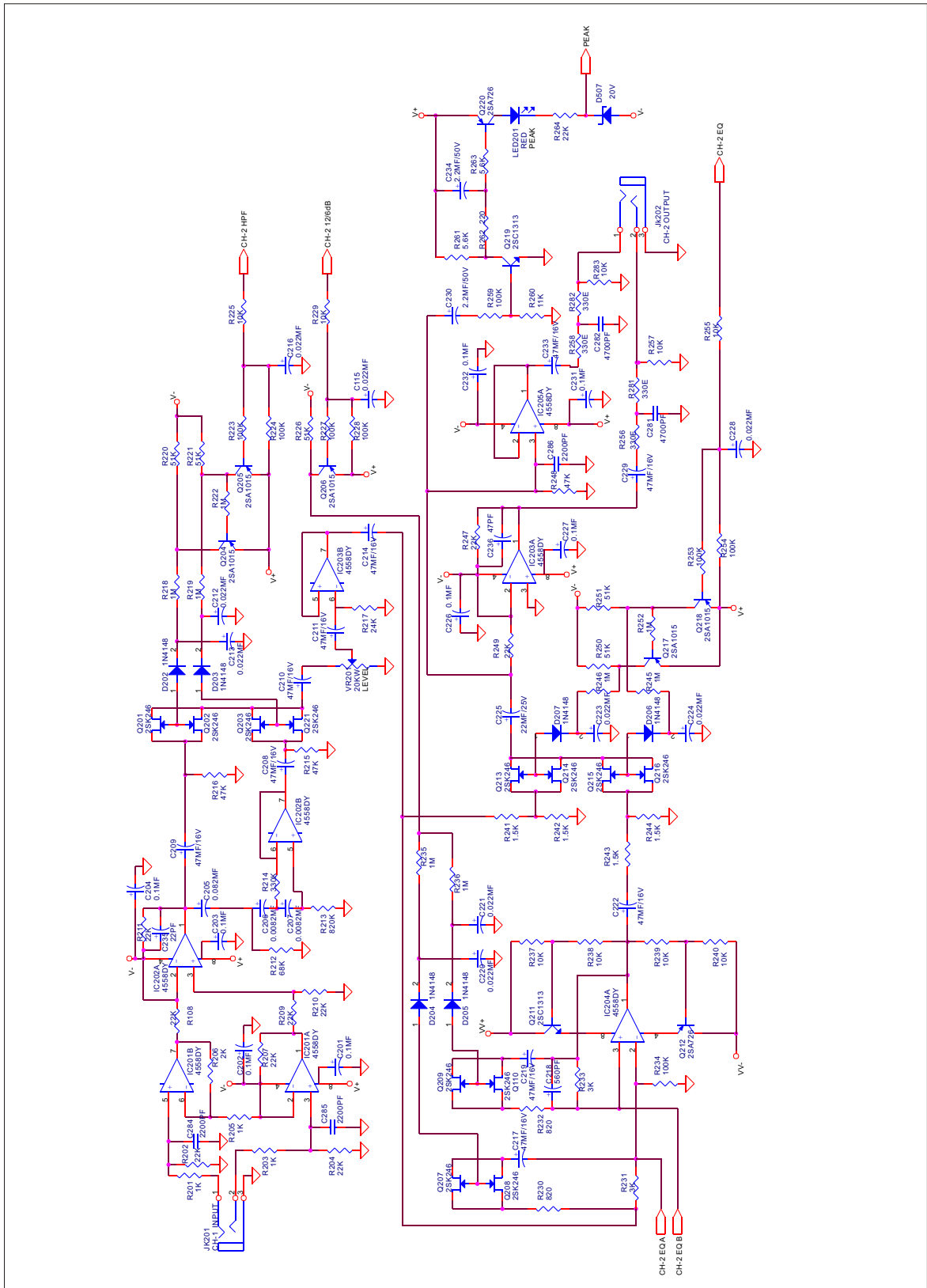
EQUALIZER SCHEMATIC



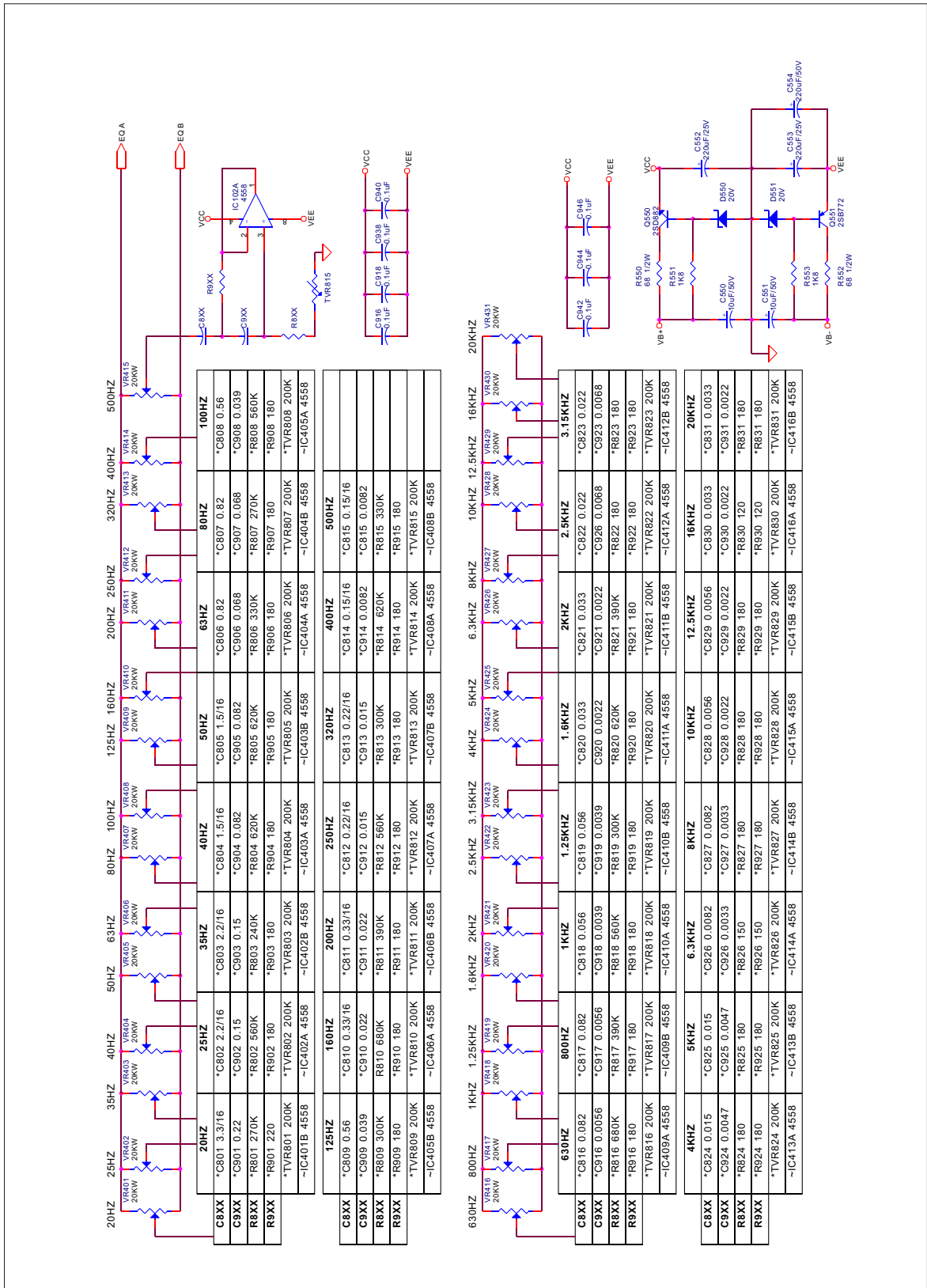
CH 1 INPUT & OUTPUT SCHEMATICS



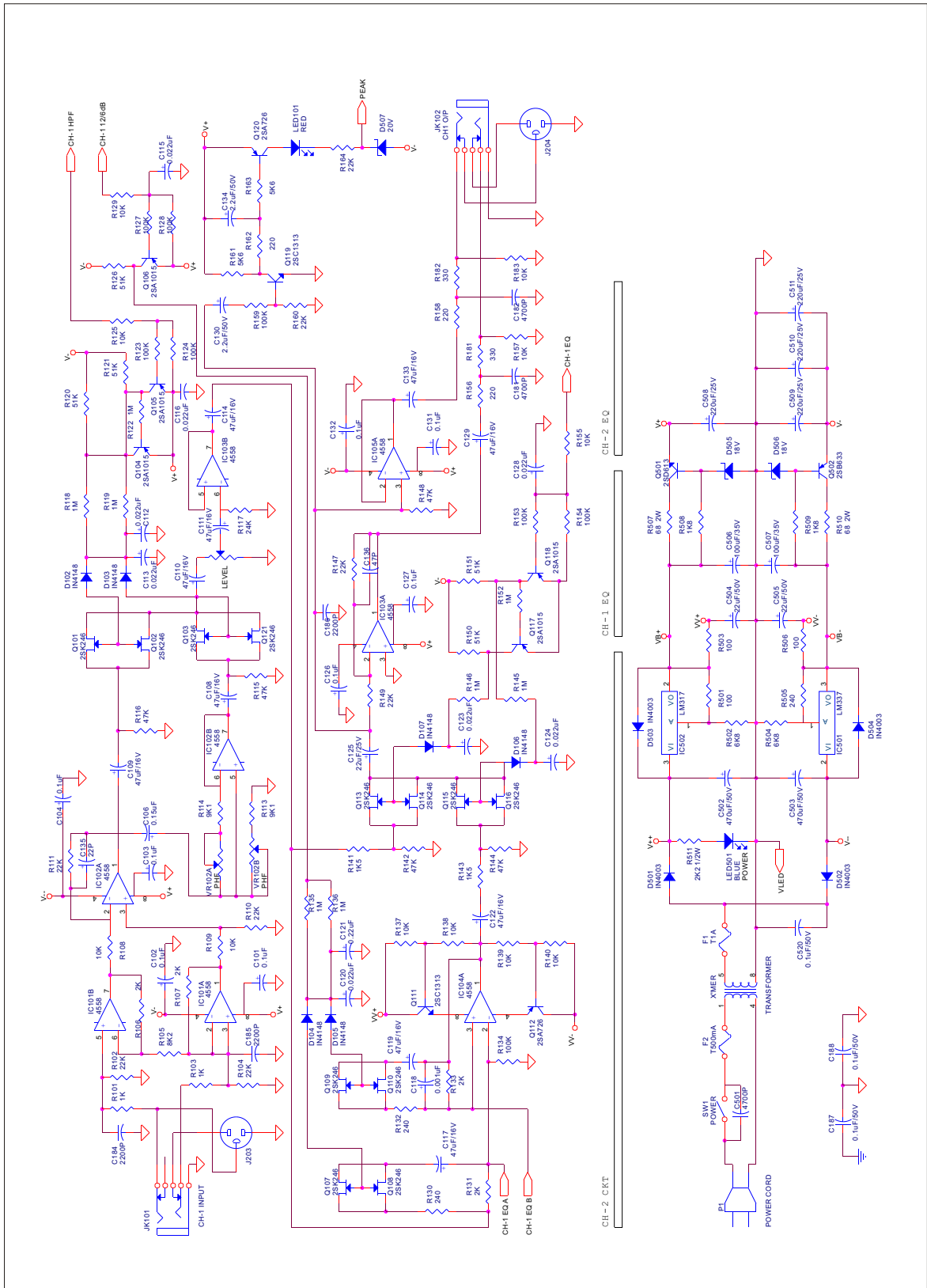
CH 2 INPUT & OUTPUT SCHEMATICS



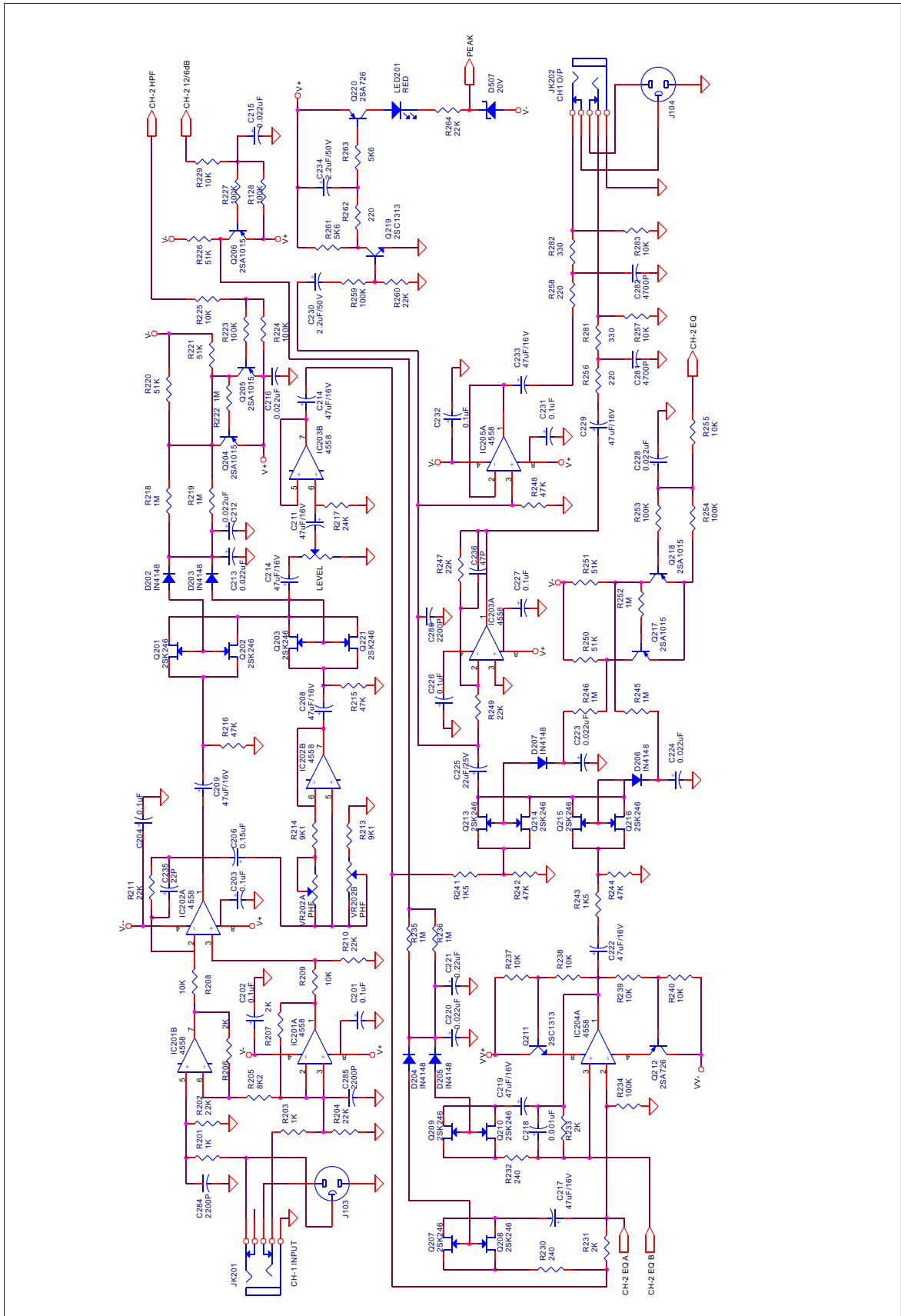
EQUALIZER SCHEMATIC



CH 1 INPUT & OUTPUT SCHEMATICS



CH 2 INPUT & OUTPUT SCHEMATICS



MAIN BOARD PCB-PART LIST

Ref.	Phonic	Specifications
	290-03000-101-0	PCB MQSERIES-A
	382-10010-010-0	TINNER WIRE 10MM D0.6
	382-10012-510-0	TINNER WIRE 12.5MM D0.6
	281-00000-020-0	FUSE CLIP FH-1206
	321-00000-000-0	CABLE TIE HW-80M
	322-01000-100-0	TUBE 10MM*D1
	376-00235-150-0	D.S.WIRE UL2547 #28 350MMGRN
	379-01800-101-0	M.WIRE UL1007 #26 80MM BLK
	379-02181-101-0	M.WIRE UL1007 #24 180MM BLK
	379-02211-101-0	M.WIRE UL1007 #24 210MM BLK
	379-02211-121-0	M.WIRE UL1007 #24 210MM RED
	385-04200-320-0	4P M.RIBBON WIRE 200MM
	385-04240-320-0	4P M.RIBBON WIRE 240MM
	385-04270-320-0	4P M.RIBBON WIRE 270MM
	385-08050-320-0	8P M.RIBBON WIRE 50MM
	526-10033-110-0	TRAN. HEAT SINK BJK MQ3400
	526-20001-110-0	HEAT SINK BLK 19*13*12 L=19MM
	590-53010-100-0	M/E SET SCR. M3.0*10 NI
	590-53012-100-0	M/E SET SCR. M3.0*12 NI
	600-00302-210-0	HEX. NUT M3.0*2.2 NI
	610-00301-018-0	FIBER WAS. D3.0*8*1
	610-30301-001-0	TOOTH WAS. D3*D8*1 NI
C101-104.188.126.232. 450-453.750-755	042-10448-050-0	C/C2 0.1MF Z 100V T]
C105.404.405.601.602	046-82304-000-0	M/C 0.082MF J 50V 5
C112.113.115.120. 121.123. 124.410.411.607.608	046-22304-003-0	M/C 0.022MF J 50V 5
C116.128	046-22304-003-0	M/C 0.022MF J 50V 5
C118	046-15204-020-0	M/C 0.0015MF J 50V 5
C122.C129.C108-C111 .C114.C117.C119	030-47628-070-0	E/C 47MF Z 16V 5*11 P 5]
C125	030-22638-000-0	E/C 22MF Z 25V 5*11 P
C130.134	030-22558-000-0	E/C 2.2MF Z 50V 5*11 P
C133.129	030-47628-070-0	E/C 47MF Z 16V 5*11 P 5

MAIN BOARD PCB-PART LIST

Ref.	Phonic	Specifications
C135	042-22024-020-0	C/C2 22PF J 50V 5
C136	042-47024-020-0	C/C2 47PF J 50V 5
C181.182	042-47225-000-0	C/C2 4700PF K 50V
C184.185.186	042-22225-000-0	C/C2 2200PF K 50V 5
C184.186	042-22225-000-0	C/C2 2200PF K 50V 5
C187.127.231	042-10448-050-0	C/C2 0.1MF Z 100V T
C301	032-33525-000-0	NP E/C 3.3MF K 16V 5*11 P
C302.303	032-22525-000-0	NP E/C 2.2MF K 16V 5*11 P
C304.305	032-15525-000-0	NP E/C 1.5MF K 16V 5*11 P
C306.307	046-82404-020-0	M/C 0.82MF J 50V 7.5
C308.309	046-56404-020-0	M/C 0.56MF J 50V 7.5
C310.311	050-33404-001-0	M.M/C 0.33MF J 100V 10
C312,C313	046-22404-001-0	M/C 0.22MF J 50V 10
C401	046-22404-020-0	M/C 0.22MF J 50V 5
C402,C403,C314,C315	046-15404-020-0	M/C 0.15MF J 50V 5
C406.407	046-68304-020-0	M/C 0.068MF J 50V 5
C408.409	046-39304-001-0	M/C 0.039MF J 50V 5MM
C502,C503	030-47758-000-0	E/C 470MF Z 50V 16*25 P
C504.505	030-22658-070-0	E/C 22MF Z 50V 6*11 T
C506.507	030-10758-000-0	E/C 100MF Z 50V 8*12 P
C508.509.510.511	030-22738-000-0	E/C 220MF Z 25V 8*14 P
C603.604	046-56304-020-0	M/C 0.056MF J 50V 5
C605.606	046-33304-020-0	M/C 0.033MF J 50V 5
C609.412.413	046-15304-020-0	M/C 0.015MF J 50V 5
C610	046-15304-020-0	M/C 0.015MF J 50V 5
C611	046-10304-001-0	M/C 0.01MF J 50V 3.5
C612.106.107.414.415	046-82204-020-0	M/C 0.0082MF J 50V 5
C616	046-47204-004-0	M/C 0.0047MF J 50V 5
C701.702.614	046-56204-002-0	M/C 0.0056MF J 50V 5
C703.704	046-39204-020-0	M/C 0.0039MF J 50V 5
C705.706.714.715	046-22204-020-0	M/C 0.0022MF J 50V 5
C707.708.613	046-68204-020-0	M/C 0.0068MF J 50V 5
C709.710.615	046-47204-004-0	M/C 0.0047MF J 50V 5
C711.712	046-33204-020-0	M/C 0.0033MF J 50V 5
C713.716	046-22204-020-0	M/C 0.0022MF J 50V 5
D102-107	090-02000-020-0	DIODE 1N4148 T

MAIN BOARD PCB-PART LIST

Ref.	Phonic	Specifications
D501-504	090-00001-020-0	DIODE 1N4003 SILITEK T
D505.506	090-01183-010-0	Z/DIODE 18V K 0.5W FAIRCH
D507	090-01203-010-0	Z/DIODE 20V K 0.5W FAIRCH
IC101-105.301-316	160-00000-902-0	IC NJM 4558DD JRC
IC501	160-00002-100-0	IC LM337T NS (DIP)
IC501.502	212-10032-370-0	3P WAFER/P 250MM UL1007#24 PH=2.5MM
IC501.502	313-00010-020-0	WASHER TO-220
IC501.502	314-00000-050-0	BUSHES 602S(V.0) 180DEGREE
IC501.502	610-60301-006-0	SPR .WAS. D3*D5*1 NI
IC502	160-00002-000-0	IC LM317T NS
J101,J102	211-01602-020-0	6D3/J HLJ2306-01-3040
Q101-103.107-110.113 -116.121	122-00000-300-0	FET 2SK246 GR TOSHIBA
Q104-Q106.117.118	121-00000-200-0	TRAN. 2SA1015 GR TOSHIBA
Q112.120	121-00000-500-0	TRAN 2SA970-BL TOSHIBA
Q119.111	120-00001-010-0	TRAN 2SC2240-BL TOSHIBA
Q501	120-00005-701-0	TRAN. MJE3055 T0220
Q501.502	615-10022-630-0	BOSS 5+5
Q502	121-00003-900-0	TRAN. MJE2955 TO220
R101.103	000-10206-400-0	CF RES. 1K J 0.0625W T
R105	000-82226-400-0	CF RES. 8K2 J 0.25W T
R106.107	000-20206-400-0	CF RES 2K J 0.0625W T
R110.111.102.104.147. 149	000-22306-400-0	CF RES. 22K J 0.0625W T
R112	000-68306-400-0	CF RES. 68K J 0.0625W T
R113	000-82406-400-0	CF RES. 820K J 0.0625W T
R114	000-33416-400-0	CF RES. 330K J 1/8W T
R115.116.142.144	000-47306-400-0	CF RES. 47K J 0.0625W T
R117	000-24316-400-0	CF RES. 24K J 1/8W T
R120.121.126.150.151	000-51306-400-0	CF RES. 51K J 0.0625 T
R130,132	000-82116-400-0	CF RES. 820 J 1/8W T
R131.133	000-30206-400-6	CF RES. 3K J 0.0625W T
R134.153.154.159.123. 124.127.128	000-10406-400-0	CF RES. 100K J 0.0625W T

MAIN BOARD PCB-PART LIST

Ref.	Phonic	Specifications
R136.145.146.152.118. 119.122.135	000-10506-400-0	CF RES. 1M J 0.0625W T
R137.140.155.125.129. 138.139.108.109	000-10306-400-0	CF RES. 10K J 0.0625W T
R141.143	000-15206-400-0	CF RES. 1K5 J 0.0625W T
R148	000-47326-000-0	CF RES. 47K J 0.25W U
R156.158.181.182	000-33126-000-0	CF RES. 330 J 0.25W U
R157,183	000-10326-000-0	CF RES. 10K J 0.25W U
R160	000-11306-400-0	CF RES.11K J 0.0625W T
R161	000-56206-400-0	CF RES. 5K6 J 0.0625W T
R162	000-22106-400-0	CF RES. 220 J 0.0625W T
R163	000-56226-000-0	CF RES. 5K6 J 0.25W U
R164.R502.504	000-39226-400-0	CF RES. 3K9 J 0.25W T
R301,311,602,606	000-39426-400-0	CF RES. 390K J 0.25W T
R303	000-24426-400-0	CF RES. 240K J 0.25W T
R305.315	000-33426-400-0	CF RES. 330K J 0.25W T
R307	000-27426-400-0	CF RES. 270K J 0.25W T
R309,313,604	000-30426-400-0	CF RES. 300K J 0.25W T
R310,601	000-68426-400-0	CF RES. 680K J 0.25W T
R312,603,302,306,308	000-56426-400-0	CF RES. 560K J 0.25W T
R314,304,605	000-62426-400-0	CF RES. 620K J 0.25W T
R501,505	000-24126-400-0	CF RES. 240 J 0.25W T
R503,506	000-10126-400-0	CF RES. 100 J 0.25W T
R507,510	005-68026-400-0	MOF RES. 68 + -5% 2W T
R508,509	000-18226-400-0	CF RES. 1K8 J 0.25W T
R511	000-22236-400-0	CF RES 2K2 J 0.5W T
R611,711	000-15126-400-0	CF RES. 150 J 0.25W T
R615,715	000-12126-400-0	CF RES. 120 J 0.25W T
R701-710,712,713,714, 716,401-415,612,613,6 14,616,607,608,609,61 0	000-18126-400-0	CF RES. 180 J 0.25W T
TVR301-TV315,TVR6 01-TV616	020-20454-000-0	T/VR. 200K 0.1W D8 S 3M

VR & SWITCH PCB-PART LIST

Ref.	Phonic	Specifications
	F03-07000-002-0	MQ3300 B(MQ3300M B)
	210-02201-000-0	P/SW SPJ222SE01-PJ
	211-10051-080-0	5P WAFER/S S5B-EH
	290-03000-202-0	PCB MQ3300M(B)
	379-01800-101-0	M.WIRE UL1007 #26 80MM BLK
	382-10007-510-0	TINNER WIRE 7.5MM D0.6
	382-10010-010-0	TINNER WIRE 10MM D0.6
	385-06090-320-0	6P M.RIBBON WIRE 90MM
	F03-07000-003-0	MQ3300 D(MQ3300M D)
	212-10050-250-0	5P WAFER/P DX-07
	290-03000-300-0	PCB MQ3300M D
VR101,VR301-VR331	026-20332-000-0	SS/VR 20K W 20MM P
	290-03000-410-0	PCB MQ3300M(F)
	550-20003-000-0	CHASSIS ZN(W)

MISCELLANEOUS ITEMS

Ref.	Phonic	Specifications
	058-47236-001-0	LINE/C 0.0047MF M 400V
	100-00110-000-0	LED BL-R5132N RED
	100-00150-000-0	LED SE6221 GRN
	210-02101-010-0	P/SW KDC-A04-10BA2-G
	281-04000-000-0	FUSE HOLDER FH-B02 EDK
	290-03000-500-0	PCB MQ3300M G
	307-00000-000-0	CORD CONNECTOR HW-C4
	321-00000-000-0	CABLE TIE HW-80M
	322-11910-400-0	TUBE 190MM*D4
	322-23001-000-0	TUBE 30MM*D10
	322-24001-600-0	TUBE 40MM*D16
	322-26002-800-0	TUBE 60MM*D28
	379-08261-122-0	M.WIRE UL1015 #22 260MM RED
	385-02140-310-0	2P M.RIBBON WIRE 2468#26 BLK:140MM
	385-03140-310-0	3P M.RIBBON WIRE 140MM
	510-20060-911-0	PANEL MQ3300
	516-20030-200-0	TOP COV. MQ3300M STEVEN
	517-20050-101-0	BOT. COV. MQ3300 STEVEN
	525-60011-000-0	FEET SIZE:D20*D15*H10.5 NF-008
	541-20020-120-0	S/KNOB 4*9*8 BLK+WHT
	541-20020-320-0	S/KNOB 4*9*8 BLK+SILVERY WHT
	542-20040-120-0	P/KNOB 18*5.5*14 BLK
	542-60090-122-0	P/KNOB 9.5*5.5*8 LOW WHT
	543-20020-120-0	P/KNOB BUSHING 18.5*5.5 BLK
	551-20006-000-0	PUSH SW BRKT. ZN(W)
	551-20007-001-0	RT BRKT. ZN(W)
	551-20008-000-0	LF BRKT. ZN(W)
	560-20052-103-0	CARTON MQ3300 SIZE:585*436*306 A=B
	561-20052-102-0	G/B MQ3300 SIZE:570*104*286 300g+B9B9
	567-60022-000-0	EPE MQ3300
	568-00003-000-0	PE BAG #10 240*340*0.05

MISCELLANEOUS ITEMS

Ref.	Phonic	Specifications
	568-20004-000-0	PE BAG 550*300*0.05
	572-00000-050-0	DRYER 5g
	573-10063-012-0	M.I.C LABEL 50*10MM
	573-60240-000-0	BAR CODE LABEL PHONIC SERIES LABEL
	573-60343-000-0	LABEL LEVEL METER LABEL BLUE D=8mm
	574-03070-310-0	OWN. MANU. MQ3300
	579-00000-068-0	MINI CATALOG PHONIC SERIES
	590-03004-100-0	M/E FLT SCR. M3.0*4 NI
	590-43006-100-0	M/E PAN SCR. M3.0*6 NI
	590-53004-200-0	M/E SET SCR. M3.0*4 BLK
	590-53008-200-0	M/E SET SCR. M3.0*8 D=6 BLK
	590-53012-100-0	M/E SET SCR. M3.0*12 NI
	591-53006-200-0	T/P SET SCR. M3.0*6 BLK
	600-00302-210-0	HEX. NUT M3.0*2.2 NI
	610-00301-018-0	FIBER WAS. D3.0*8*1
	610-30301-001-0	TOOTH WAS. D3*D8*1 NI
	610-30400-501-0	TOOTH WAS. D4.0*D8.5*0.5 NI
	615-20006-630-0	BOSS 19
	630-20018-310-0	MYLAR INSU. 80*45*0.2
	631-20002-000-0	HEMELON 9*32
FEET*4	610-00300-502-0	PLA. WAS. D3.0*D7.0*0.5 BLK
	S03-07000-100-0	MQ3300 PHONIC MATERIAL
	510-20060-911-F	PANEL MQ3300
	511-20020-100-F	BACK PANEL MQ/MQ3300
	516-20030-200-F	TOP COV. MQ/MQ3300
	517-20050-101-F	BOT COV. MQ/MQ3300

POWER REQUIREMENT CLASSIFICATION

Ref.	Phonic	Specifications	
<u>BS</u>	070-20019-501-0	X'MER PEQ3300/3400 230V AC=28V 300MA	
	280-1026E-000-0	FUSE T1A 250V S (UL/CSA/JIS/CE)	
	280-50165-000-0	FUSE T500MA 250V SMK S	
	GND 315-00000-000-0	LUG D4 GROUND	
	370-26B40-439-1	P/CORD 230V 13A 2m5 BS 3P	
	511-20020-100-0	BACK PANEL PEQ-3300M STEVEN BS/SAA	
	527-01000-000-0	STR.REL.BUSHING 5N4/5W-2	
	573-10031-010-0	CAUTION LABEL	
	573-10032-010-0	POWER LABEL (ONLY USED IN BS)	
	GND 590-54008-200-0	M/E SET SCR. M4.0*8 BLK	
	GND 600-00403-500-0	HEX. NUT M4.0*3.5 ZN	
	GND 610-30400-501-0	TOOTH WAS. D4.0*D8.5*0.5 NI	
	<u>SAA</u>	070-20019-501-0	X'MER PEQ3300/3400 230V AC=28V 300MA
280-1026E-000-0		FUSE T1A 250V S (UL/CSA/JIS/CE)	
280-50165-000-0		FUSE T500MA 250V SMK S	
GND 315-00000-000-0		LUG D4 GROUND	
370-11310-809-0		P/CORD 240V 7.5A 6F 3P SAA	
511-20020-100-0		BACK PANEL PEQ-3300M STEVEN BS/SAA	
527-01000-000-0		STR.REL.BUSHING 5N4/5W-2	
590-54008-200-0		M/E SET SCR. M4.0*8 BLK	
600-00403-500-0		HEX. NUT M4.0*3.5 ZN	
610-30400-501-0		TOOTH WAS. D4.0*D8.5*0.5 NI	
<u>IEC</u>		070-20019-501-0	X'MER PEQ3300/3400 230V AC=28V 300MA
		280-10265-000-0	FUSE T 1A 250V SMK IEC/VDE
		280-3E065-000-0	FUSE T315MA 250V SMK S
	370-03410-909-0	P/CORD 220V 2.5A 6F 2P	
	511-20020-701-0	BACK PANEL PEQ3300 PHONIC SMK	
	527-00000-000-0	STR. REL. BUSHING 4P4 4N-4	

POWER REQUIREMENT CLASSIFICATION

Ref.	Phonic	Specifications	
<u>SA</u>	070-20019-501-0	X'MER PEQ3300/3400 230V AC=28V 300MA	
	280-10265-000-0	FUSE T 1A 250V SMK IEC/VDE	
	280-3E065-000-0	FUSE T315MA 250V SMK S	
	GND 315-00000-000-0	LUG D4 GROUND	
	370-12020-829-0	P/CORD 240V 10A/250V 3P6F SA	
	511-20020-701-0	BACK PANEL PEQ3300 PHONIC SMK	
	527-01000-000-0	STR.REL.BUSHING 5N4/5W-2	
	GND 590-54008-200-0	M/E SET SCR. M4.0*8 BLK	
	600-00403-500-0	HEX. NUT M4.0*3.5 ZN	
	GND 610-30400-501-0	TOOTH WAS. D4.0*D8.5*0.5 NI	
<u>UL</u>	070-20012-103-0	X'MER 120V PEQ3300/3400 AC=28V 300MA	
	280-10261-000-0	FUSE 1A 250V UL/CSA F 5*20	
	280-50165-000-0	FUSE T500MA 250V SMK S	
	370-24510-203-0	P/CORD 120V 7A 6F 2P SPT-2	
	511-20020-501-0	BACK PANEL PEQ3300 PHONIC CSA/UL	
	527-06000-000-0	STR. REL. BUSHING 4N4	
	<u>JIS</u>	070-20010-601-0	X'MER 100V JIS PEQ3300/3400 AC=28V 300MA
		280-1026B-000-0	FUSE 1A 250V UL/CSA/JIS S
		280-50165-000-0	FUSE T500MA 250V SMK S
		370-16510-609-0	P/CORD 100V 7A 6F 2P JIS
511-20021-001-0		BACK PANEL PEQ3300 PHONIC JIS	
527-00000-000-0		STR. REL. BUSHING 4P4 4N-4	

MAIN BOARD PCB-PART LIST

Ref.	Phonic	Specifications
	290-03000-101-0	PCB MQSERIES-A
	382-10010-010-0	TINNER WIRE 10MM D0.6
	382-10012-510-0	TINNER WIRE 12.5MM D0.6
	160-00000-902-0	IC NJM 4558DD JRC
	160-00002-000-0	IC LM317T NS
	160-00002-100-0	IC LM337T NS (DIP)
	211-01602-020-0	6D3/J HLJ2306-01-3040
	281-00000-020-0	FUSE CLIP FH-1206
	321-00000-000-0	CABLE TIE HW-80M
	379-01800-101-0	M.WIRE UL1007 #26 80MM BLK
	379-02181-101-0	M.WIRE UL1007 #24 180MM BLK
	379-02211-101-0	M.WIRE UL1007 #24 210MM BLK
	379-02211-121-0	M.WIRE UL1007 #24 210MM RED
	385-04170-320-0	4P M.RIBBON WIRE 170MM
	385-04200-320-0	4P M.RIBBON WIRE 200MM
	385-04240-320-0	4P M.RIBBON WIRE 240MM
	385-04270-320-0	4P M.RIBBON WIRE 270MM
	385-08050-320-0	8P M.RIBBON WIRE 50MM
	526-10033-110-0	TRAN. HEAT SINK BJK MQ3400
	526-20001-110-0	HEAT SINK BLK 19*13*12 L=19MM
	590-53010-100-0	M/E SET SCR. M3.0*10 NI
	600-00302-210-0	HEX. NUT M3.0*2.2 NI
(R511,510,507)*2	322-01000-100-0	TUBE 10MM*D1
C104.188.101-103.126.	042-10448-050-0	C/C2 0.1MF Z 100V T
232.201-203.226.450-4		
53.750-755		
C105.205.608	046-82304-000-0	M/C 0.082MF J 50V 5
C108-111.114.117.119.	030-47628-070-0	E/C 47MF Z 16V 5*11 P 5
122.208.209.211.214*2		
.222.233.217.219		
C112.113.115.116.120.	046-22304-003-0	M/C 0.022MF J 50V 5
121.123.124.128.212.2		
15.216.228.213.220.22		
1.223.224.311.402		
C118,218,410,710	042-56124-020-0	C/C2 560PF J 50V 5
C125.225	030-22638-000-0	E/C 22MF Z 25V 5*11 P
C129.133.229	030-47628-070-0	E/C 47MF Z 16V 5*11 P 5
R119.140	008-03322-600-0	CHIP RES. 3.3K J 0603

MAIN BOARD PCB-PART LIST

Ref.	Phonic	Specifications
C134.130.230.234	030-22558-000-0	E/C 2.2MF Z 50V 5*11 P
C135,235	042-22024-020-0	C/C2 22PF J 50V 5
C136*2	042-47024-020-0	C/C2 47PF J 50V 5
C181.182.282.281	042-47225-000-0	C/C2 4700PF K 50V
C184.284.185.285.186. 286	042-22225-000-0	C/C2 2200PF K 50V 5
C204.231.127.187.227	042-10448-050-0	C/C2 0.1MF Z 100V T
C301,601	032-22525-000-0	NP E/C 2.2MF K 16V 5*11 P
C302.602	032-15525-000-0	NP E/C 1.5MF K 16V 5*11 P
C303.603	046-82404-020-0	M/C 0.82MF J 50V 7.5
C304.604	046-56404-020-0	M/C 0.56MF J 50V 7.5
C305.605	050-33404-001-0	M.M/C 0.33MF J 100V 10
C306,C606	046-22404-001-0	M/C 0.22MF J 50V 10
C307,607	046-15404-020-0	M/C 0.15MF J 50V 5
C308	046-82304-000-0	M/C 0.082MF J 50V 5
C309.609	046-56304-020-0	M/C 0.056MF J 50V 5
C310.610	046-33304-020-0	M/C 0.033MF J 50V 5
C313.613.106.107.206. 207	046-82204-020-0	M/C 0.0082MF J 50V 5
C314.614.405.705	046-56204-002-0	M/C 0.0056MF J 50V 5
C315.615	046-33204-020-0	M/C 0.0033MF J 50V 5
C401.701	046-39304-001-0	M/C 0.039MF J 50V 5MM
C403,312,612,703	046-15304-020-0	M/C 0.015MF J 50V 5
C404,704	046-10304-020-0	M/C 0.01MF J 50V 5
C406,706	046-39204-020-0	M/C 0.0039MF J 50V 5
C407,707	046-22204-020-0	M/C 0.0022MF J 50V 5
C408,708	046-15204-020-0	M/C 0.0015MF J 50V 5
C409,709	046-10204-020-0	M/C 0.001MF J 50V 5
C411,711	046-18204-020-0	M/C 0.0018MF J 50V 5
C412,712	046-12204-020-0	M/C 0.0012MF J 50V 5
C413,713	042-82124-050-0	C/C2 820PF J 50V 5 T
C414,415,714,715	042-47124-020-0	C/C2 470PF J 50V 5
C502,503	030-47758-000-0	E/C 470MF Z 50V 16*25 P
C504.505	030-22658-070-0	E/C 22MF Z 50V 6*11 T
C506.507	030-10758-000-0	E/C 100MF Z 50V 8*12 P
C508.509.510.511	030-22738-000-0	E/C 220MF Z 25V 8*14 P
C611.702	046-22304-020-1	M/C 0.022MF J 50V 5

MAIN BOARD PCB-PART LIST

Ref.	Phonic	Specifications
D102-107.202-207	090-02000-020-0	DIODE 1N4148 T
D501.502.503.504	090-00001-020-0	DIODE 1N4003 SILITEK T
D505.506	090-01183-010-0	Z/DIODE 18V K 0.5W FAIRCH
D507	090-01203-010-0	Z/DIODE 20V K 0.5W FAIRCH
IC+HEAT SINK	610-00301-018-0	FIBER WAS. D3.0*8*1
IC501.502	212-10032-370-0	3P WAFER/P 250MM UL1007#24 PH=2.5MM
IC501.502	313-00010-020-0	WASHER TO-220
IC501.502	314-00000-050-0	BUSHES 602S(V.0) 180DEGREE
IC501.502	610-30301-001-0	TOOTH WAS. D3*D8*1 NI
IC501.502	610-60301-006-0	SPR .WAS. D3*D5*1 NI
LEVEL1	376-00223-150-0	D.S.WIRE UL2547 #28 230MMGRN
LEVEL2	376-00226-140-0	D.S.WIRE UL2547 #28 260MMYLW
Q104-106.204-206.117 .118.217.218	121-00000-200-0	TRAN. 2SA1015 GR TOSHIBA
Q120.220.112.212	121-00000-500-0	TRAN 2SA970-BL TOSHIBA
Q213-216.201-203.221 .208-210.107-110.101- 103.121.113-116.207	122-00000-300-0	FET 2SK246 GR TOSHIBA
Q219.119.111.211	120-00001-010-0	TRAN 2SC2240-BL TOSHIBA
Q501	120-00005-701-0	TRAN. MJE3055 T0220
Q501.502	615-10022-630-0	BOSS 5+5
Q502	121-00003-900-0	TRAN. MJE2955 TO220
R101.103.201.203	000-10206-400-0	CF RES. 1K J 0.0625W T
R102.104.108.109.110. 111.147.149.202.204.2 08.209.210.211.247.24 9	000-22306-400-0	CF RES. 22K J 0.0625W T
R105,205	000-82226-400-0	CF RES. 8K2 J 0.25W T
R106.107.206.207	000-20206-400-0	CF RES 2K J 0.0625W T
R112.212	000-68306-400-0	CF RES. 68K J 0.0625W T
R113.213	000-82406-400-0	CF RES. 820K J 0.0625W T
R114,214	000-33416-400-0	CF RES. 330K J 1/8W T
R117,217	000-24316-400-0	CF RES. 24K J 1/8W T

MAIN BOARD PCB-PART LIST

Ref.	Phonic	Specifications
R118.119.122.135.136. 145.146.152.218.219.2 22.235.236.245.246.25 2	000-10506-400-0	CF RES. 1M J 0.0625W T
R121.120.126.151.150. 220.221.206.250.251	000-51306-400-0	CF RES. 51K J 0.0625 T
R123.124.127.128.134. 153.154.159.223.224.2 27.228.234*2.253.254	000-10406-400-0	CF RES. 100K J 0.0625W T
R125.129.137-140.155. 283.225.229.237-240.2 55	000-10306-400-0	CF RES. 10K J 0.0625W T
R130,132,230,232	000-82116-400-0	CF RES. 820 J 1/8W T
R131.133.231.233	000-30206-400-6	CF RES. 3K J 0.0625W T
R141.143.241.243	000-15206-400-0	CF RES. 1K5 J 0.0625W T
R142.144.115.116.215. 216.248.242.244	000-47306-400-0	CF RES. 47K J 0.0625W T
R148	000-47326-000-0	CF RES. 47K J 0.25W U
R156.158.281.181.182	000-33126-000-0	CF RES. 330 J 0.25W U
R160	000-11306-400-0	CF RES.11K J 0.0625W T
R161.261	000-56206-400-0	CF RES. 5K6 J 0.0625W T
R162	000-22106-400-0	CF RES. 220 J 0.0625W T
R163.263	000-56226-000-0	CF RES. 5K6 J 0.25W U
R164.264.502.504	000-39226-400-0	CF RES. 3K9 J 0.25W T
R183.157	000-10326-000-0	CF RES. 10K J 0.25W U
R256.258	000-33106-400-0	CF RES. 330 J 0.0625W T
R257	000-10306-400-0	CF RES. 10K J 0.0625W T
R259	000-10426-000-0	CF RES. 100K J 0.25W U
R260	000-11326-000-0	CF RES. 11K J 0.25W U
R262	000-22126-000-0	CF RES. 220 J 0.25W U
R282	000-33106-400-0	CF RES. 330 J 0.0625W T
R301,302,306,307,601, 602,606,607	000-10526-400-0	CF RES. 1M J 0.25W T
R303,305,308,310,603, 605,608,610	000-11526-400-0	CF RES. 1.1M J 0.25W T
R304,309,604,609	006-95332-400-0	MF RDS. 953K F 0.25W T

MAIN BOARD PCB-PART LIST

Ref.	Phonic	Specifications
R311,611	000-22426-400-0	CF RES. 220K J 0.25W T
R312,612	006-19132-400-0	MF RES. 191K F 0.25W T
R315,615	006-14032-400-0	MF RES. 140K F 0.25W T
R401-415,701-715	000-47126-400-0	CF RES. 470 J 0.25W T
R501,505	000-24126-400-0	CF RES. 240 J 0.25W T
R503,506	000-10126-400-0	CF RES. 100 J 0.25W T
R507,510	005-68026-400-0	MOF RES. 68 + -5% 2W T
R508,509	000-18226-400-0	CF RES. 1K8 J 0.25W T
R511	000-22236-400-0	CF RES 2K2 J 0.5W T
R613,614,313,314	000-20426-400-0	CF RES. 200K J 0.25W T
TRAN.HEAT SINK*2	590-53012-100-0	M/E SET SCR. M3.0*12 NI

VR & SWITCH PCB-PART LIST

Ref.	Phonic	Specifications
	F03-08000-002-0	PCB WITH COMPONENTS MQ3400 B(MQ3300M B)
	210-02201-000-0	P/SW SPJ222SE01-PJ
	211-10051-080-0	5P WAFER/S S5B-EH
	290-03000-202-0	PCB MQ3300M(B)
	379-01800-101-0	M.WIRE UL1007 #26 80MM BLK
	382-10007-510-0	TINNER WIRE 7.5MM D0.6
	382-10010-010-0	TINNER WIRE 10MM D0.6
	385-06090-320-0	6P M.RIBBON WIRE 90MM
	F03-08000-003-0	PCB WITH COMPONENTS MQ3400 C(MQ3400S C)
	210-02201-000-0	P/SW SPJ222SE01-PJ
	211-10051-080-0	5P WAFER/S S5B-EH
	290-03010-102-0	PCB MQ3400S(C)
	382-10010-010-0	TINNER WIRE 10MM D0.6
	385-05120-320-0	5P M.RIBBON WIRE 120MM
	F03-08000-005-0	PCB WITH COMPONENTS MQ3400 F(MQ3400S F)
	026-20332-000-0	SS/VR 20K W 20MM P
	290-03010-201-0	PCB MQ3400S(F)
	382-10010-010-0	TINNER WIRE 10MM D0.6
	550-20003-000-0	CHASSIS ZN(W)
	590-42003-100-0	M/E PAN SCR. M2.0*3 NI

MISCELLANEOUS ITEMS

Ref.	Phonic	Specifications
	058-47236-001-0	LINE/C 0.0047MF M 400V
	100-00110-000-0	LED BL-R5132N RED
	100-00150-000-0	LED SE6221 GRN
	210-02101-010-0	P/SW KDC-A04-10BA2-G
	211-10031-170-0	3P WAFER/S 2532-03 (PITCH:2.5MM)
	212-10050-250-0	5P WAFER/P DX-07
	281-04000-000-0	FUSE HOLDER FH-B02 EDK
	290-03000-300-0	PCB MQ3300M D
	290-03000-500-0	PCB MQ3300M G
	290-63600-000-0	PCB MQ3600 IC501/502 Q501/502
	307-00000-000-0	CORD CONNECTOR HW-C4
	321-00000-000-0	CABLE TIE HW-80M
	322-11810-400-0	TUBE 180MM*D4
	322-24001-600-0	TUBE 40MM*D16
	322-26002-800-0	TUBE 60MM*D28
	379-08261-122-0	M.WIRE UL1015 #22 260MM RED
	385-02140-310-0	2P M.RIBBON WIRE 2468#26 BLK:140MM
	385-03140-310-0	3P M.RIBBON WIRE 140MM
	510-20071-711-0	PANEL MQ3400
	516-20030-200-0	TOP COV. MQ3300M STEVEN
	517-20050-101-0	BOT. COV. MQ3300 STEVEN
	525-60011-000-0	FEET SIZE:D20*D15*H10.5 NF-008
	541-20020-120-0	S/KNOB 4*9*8 BLK+WHT
	541-20020-320-0	S/KNOB 4*9*8 BLK+SILVERY WHT
	542-20040-120-0	P/KNOB 18*5.5*14 BLK
	542-60090-122-0	P/KNOB 9.5*5.5*8 LOW WHT
	543-20020-120-0	P/KNOB BUSHING 18.5*5.5 BLK
	551-20006-000-0	PUSH SW BRKT. ZN(W)
	551-20007-001-0	RT BRKT. ZN(W)
	551-20008-000-0	LF BRKT. ZN(W)
	560-20052-104-0	CARTON MQ3400 SIZE:585*436*306 A=B
	561-20052-201-0	G/B MQ3400 SIZE:510*104*286 300g+B9B9

MISCELLANEOUS ITEMS

Ref.	Phonic	Specifications
	567-60022-000-0	EPE MQ3300
	568-00003-000-0	PE BAG #10 240*340*0.05
	568-20004-000-0	PE BAG 550*300*0.05
	572-00000-050-0	DRYER 5g
	573-10063-012-0	M.I.C LABEL 50*10MM
	573-60240-000-0	BAR CODE LABEL PHONIC SERIES LABEL
	573-60343-000-0	LABEL LEVEL METER LABEL BLUE D=8mm
	574-03070-310-0	OWN. MANU. MQ3300
	579-00000-068-0	MINI CATALOG PHONIC SERIES
	590-03004-200-0	M/E FLT SCR. M3.0*4 BLK
	590-43006-100-0	M/E PAN SCR. M3.0*6 NI
	590-44008-200-0	M/E PAN SCR. M4.0*8 BLK
	590-53004-200-0	M/E SET SCR. M3.0*4 BLK
	590-53008-200-0	M/E SET SCR. M3.0*8 D=6 BLK
	590-53012-100-0	M/E SET SCR. M3.0*12 NI
	591-53006-200-0	T/P SET SCR. M3.0*6 BLK
	600-00302-210-0	HEX. NUT M3.0*2.2 NI
	610-00301-018-0	FIBER WAS. D3.0*8*1
	610-30301-001-0	TOOTH WAS. D3*D8*1 NI
	610-30400-501-0	TOOTH WAS. D4.0*D8.5*0.5 NI
	615-20006-630-0	BOSS 19
	630-20018-310-0	MYLAR INSU. 80*45*0.2
	631-20002-000-0	HEMELON 9*32
FEET*4	610-00300-502-0	PLA. WAS. D3.0*D7.0*0.5 BLK
Ref.	Phonic	Specifications
	S03-08000-100-0	MQ3400 MATERIAL
	510-20071-711-F	PANEL MQ3400
	511-20030-300-F	BACK PANEL MQ3400/MQ3400
	516-20030-200-F	TOP COV. MQ/MQ3300
	517-20050-101-F	BOT COV. MQ/MQ3300

POWER REQUIREMENT CLASSIFICATION

Ref.	Phonic	Specifications
<u>BS</u>		
	070-20019-501-0	X'MER PEQ3300/3400 230V AC=28V 300MA
	280-1026E-000-0	FUSE T1A 250V S (UL/CSA/JIS/CE)
	280-50165-000-0	FUSE T500MA 250V SMK S
GND	315-00000-000-0	LUG D4 FOR GROUD
	370-26B40-439-1	P/CORD 230V 13A 2m5 BS 3P
	511-20030-801-0	BACK PANEL PEQ3400 BS/SAA/SA
	527-01000-000-0	STR.REL.BUSHING 5N4/5W-2
	573-10031-010-0	CAUTION LABEL
	573-10032-010-0	POWER LABEL (ONLY USED IN BS)
	590-54008-200-0	M/E SET SCR. M4.0*8 BLK
GND	600-00403-500-0	HEX. NUT M4.0*3.5 ZN
GND	610-30400-501-0	TOOTH WAS. D4.0*D8.5*0.5 NI
<u>UL</u>		
	070-20012-103-0	X'MER 120V PEQ3300/3400 AC=28V 300MA
	280-10261-000-0	FUSE 1A 250V UL/CSA F 5*20
	280-50165-000-0	FUSE T500MA 250V SMK S
	370-24510-203-0	P/CORD 120V 7A 6F 2P SPT-2
	511-20030-501-0	BACK PANEL PEQ3400 PHONIC CSA/UL/SA
	527-06000-000-0	STR. REL. BUSHING 4N4
<u>SAA</u>		
	070-20019-501-0	X'MER PEQ3300/3400 230V AC=28V 300MA
	280-1026E-000-0	FUSE T1A 250V S (UL/CSA/JIS/CE)
	280-50165-000-0	FUSE T500MA 250V SMK S
	315-00000-000-0	LUG D4 FOR GROUD
	370-11310-809-0	P/CORD 240V 7.5A 6F 3P SAA
	511-20030-801-0	BACK PANEL PEQ3400 BS/SAA/SA
	527-01000-000-0	STR.REL.BUSHING 5N4/5W-2
GND	590-54008-200-0	M/E SET SCR. M4.0*8 BLK
	600-00403-500-0	HEX. NUT M4.0*3.5 ZN

POWER REQUIREMENT CLASSIFICATION

Ref.	Phonic	Specifications	
GND	610-30400-501-0	TOOTH WAS. D4.0*D8.5*0.5 NI	
<u>IEC</u>	070-20019-501-0	X'MER PEQ3300/3400 230V AC=28V 300MA	
	280-10265-000-0	FUSE T 1A 250V SMK IEC/VDE	
	280-3E065-000-0	FUSE T315MA 250V SMK S	
	370-03410-909-0	P/CORD 220V 2.5A 6F 2P	
	511-20030-701-0	BACK PANEL PEQ3400 PHONIC SMK IEC	
	527-00000-000-0	STR. REL. BUSHING 4P4 4N-4	
<u>SA</u>	070-20019-501-0	X'MER PEQ3300/3400 230V AC=28V 300MA	
	280-10261-000-0	FUSE 1A 250V UL/CSA F5*20	
	280-50165-000-0	FUSE T500MA 250V SMK S	
	315-00000-000-0	LUG D4 FOR GROUD	
	370-12020-829-0	P/CORD 240V 10A/250V 3P6F SA	
	511-20030-501-0	BACK PANEL PEQ3400 PHONIC CSA/UL/SA	
	527-01000-000-0	STR.REL.BUSHING 5N4/5W-2	
	590-54008-200-0	M/E SET SCR. M4.0*8 BLK	
	600-00403-500-0	HEX. NUT M4.0*3.5 ZN	
	610-30400-501-0	TOOTH WAS. D4.0*D8.5*0.5 NI	
<u>JIS</u>	T1	070-20010-601-0	X'MER 100V JIS PEQ3300/3400 AC=28V 300MA
		280-1026B-000-0	FUSE 1A 250V UL/CSA/JIS S
		280-50165-000-0	FUSE T500MA 250V SMK S
		370-16510-609-0	P/CORD 100V 7A 6F 2P JIS
		511-20031-001-0	BACK PANEL PEQ3400 PHONIC JIS
		527-00000-000-0	STR. REL. BUSHING 4P4 4N-4

MAIN BOARD PCB-PART LIST

Ref.	Phonic	Specifications
	290-03000-101-0	PCB MQSERIES-A
	382-10010-010-0	TINNER WIRE 10MM D0.6
	382-10012-510-0	TINNER WIRE 12.5MM D0.6
	211-01602-020-0	6D3/J HLJ2306-01-3040
	281-00000-020-0	FUSE CLIP FH-1206
	321-00000-000-0	CABLE TIE HW-80M
	376-00234-140-0	D.S.WIRE UL2547 #28 340MMYLW
	376-00234-160-0	D.S.WIRE UL2547 #28 340MMBLU
	376-00245-110-0	D.S.WIRE UL2547 #28 450MMBWN
	376-00245-150-0	D.S.WIRE UL2547 #28 450MMGRN
	379-01800-101-0	M.WIRE UL1007 #26 80MM BLK
	379-02151-101-0	M.WIRE UL1007 #24 150MM BLK
	379-02151-121-0	M.WIRE UL1007 #24 150MM RED
	379-02151-191-0	M.WIRE UL1007 #24 150MM WHT
	379-02181-101-0	M.WIRE UL1007 #24 180MM BLK
	379-02241-101-0	M.WIRE UL1007 #24 240MM BLK
	379-02241-121-0	M.WIRE UL1007 #24 240MM RED
	382-10010-010-0	TINNER WIRE 10MM D0.6
	385-02270-310-0	2P M.RIBBON WIRE 270MM
	385-05190-320-0	5P M.RIBBON WIRE 190MM
	385-06190-320-0	6P M.RIBBON WIRE 190MM
	385-08130-320-0	8P M.RIBBON WIRE 130MM
C105,205	382-10005-010-0	TINNER WIRE 5MM D0.6
C106,C107,C206,C207 ,C314,C315,C402,C40	046-15404-020-0	M/C 0.15MF J 50V 5

MAIN BOARD PCB-PART LIST

Ref.	Phonic	Specifications
C108-111,114,117,119, 122,129,209,214*2,217	030-47628-0A0-0	E/C 47MF Z 16V 5*11 T
C116.607.608	046-22304-060-0	M/C 0.022MF J 50V 5 T
C118,C218	046-15204-020-0	M/C 0.0015MF J 50V 5
C125,225	030-22638-0A0-0	E/C 22MF Z 25V 5*11 T
C130.134.230	030-22558-0A0-0	E/C 2.2MF Z 50V 5*11 T
C133.208.222.211.219. 229.233	030-47628-0A0-0	E/C 47MF Z 16V 5*11 T
C135,C235	042-22024-020-0	C/C2 22PF J 50V 5
C136*2	042-47024-020-0	C/C2 47PF J 50V 5
C181.281.182.282	042-47225-000-0	C/C2 4700PF K 50V
C184.284.185.285.186. 286	042-22225-000-0	C/C2 2200PF K 50V 5
C187.227.231	042-10448-050-0	C/C2 0.1MF Z 100V T
C188.126.127.201-204. 101-104.232.226.450-4 53.750-755	042-10448-050-0	C/C2 0.1MF Z 100V T
C212,213,112,113,115, 116,120,121,215,216,2 20,221,223,123,124,12 8,224,228,410,411	046-22304-060-0	M/C 0.022MF J 50V 5 T
C234	030-22558-0A0-0	E/C 2.2MF Z 50V 5*11 T
C301	032-33525-000-0	NP E/C 3.3MF K 16V 5*11 P
C302,C303	032-22525-000-0	NP E/C 2.2MF K 16V 5*11 P
C304,C305	032-15525-000-0	NP E/C 1.5MF K 16V 5*11 P
C306,C307	046-82404-020-0	M/C 0.82MF J 50V 7.5
C308,C309	046-56404-020-0	M/C 0.56MF J 50V 7.5
C310.C311	050-33404-001-0	M.M/C 0.33MF J 100V 10
C401,C312,C313	046-22404-020-0	M/C 0.22MF J 50V 5
C404.405.601.602	046-82304-000-0	M/C 0.082MF J 50V 5
C406,407	046-68304-060-0	M/C 0.068MF J 50V T
C408.409	046-39304-001-0	M/C 0.039MF J 50V 5MM
C412,C413,C610.C609	046-15304-020-0	M/C 0.015MF J 50V 5
C415,C612,C414	046-82204-020-0	M/C 0.0082MF J 50V 5
C502,C503	030-47758-000-0	E/C 470MF Z 50V 16*25 P
C504,505	030-22658-0A0-0	E/C 22MF Z 50V 6*11 T
C506,C507	030-10748-000-0	E/C 100MF Z 35V 10*12 P

MAIN BOARD PCB-PART LIST

Ref.	Phonic	Specifications
C508,C509,C510,C511	030-22738-000-0	E/C 220MF Z 25V 8*14 P
C603,604	046-56304-060-0	M/C 0.056MF J 50V T
C605,C606	046-33304-020-0	M/C 0.033MF J 50V 5
C611	046-10304-001-0	M/C 0.01MF J 50V 3.5
C614,C613,C707,C708	046-68204-003-0	M/C 0.0068MF J 50V 5
C701,702	046-56204-060-0	M/C 0.0056MF J 50V T
C703,C704	046-39204-020-0	M/C 0.0039MF J 50V 5
C705,706,714,715	046-22204-060-0	M/C 0.0022MF J 50V 5 T
C709,710,615,616	046-47204-060-0	M/C 0.0047MF J 50V T
C711,C712	046-33204-020-0	M/C 0.0033MF J 50V 5
C713.716	046-22204-060-0	M/C 0.0022MF J 50V 5 T
D102-107.D202-207	090-02000-020-0	DIODE 1N4148 T
D505.506	090-01183-010-0	Z/DIODE 18V K 0.5W FAIRCH
D507	090-01203-010-0	Z/DIODE 20V K 0.5W FAIRCH
IC101-105.201-204.30 1-316	160-00000-902-0	IC NJM 4558DD JRC
IC501.502.Q550.551	212-10031-840-0	3P WAFER/P 170MM
J501-504	090-00001-020-0	DIODE 1N4003 SILITEK T
P12	385-04270-320-0	4P M.RIBBON WIRE 270MM
P13	385-04240-320-0	4P M.RIBBON WIRE 240MM
P14	385-04200-320-0	4P M.RIBBON WIRE 200MM
P15	385-04170-320-0	4P M.RIBBON WIRE 170MM
Q101-Q103.Q107-Q11 0.Q113-Q116.Q121.Q2 01-203.Q207-Q210.Q2 13-Q216.Q221	122-00000-300-0	FET 2SK246 GR TOSHIBA
Q104.105.106.117.118. 204.205.206.218.217	121-00000-200-0	TRAN. 2SA1015 GR TOSHIBA
Q111.211.119.219	120-00001-010-0	TRAN 2SC2240-BL TOSHIBA
Q112.220.120.C231	121-00000-500-0	TRAN 2SA970-BL TOSHIBA
Q501.502	212-10031-820-0	3P WAFER/P 210MM
R 311,602,606	000-39426-400-0	CF RES. 390K J 0.25W T
R101.103.201.203	000-10206-400-0	CF RES. 1K J 0.0625W T
R102.104.110.111.147. 149.160.202.204.210.2 11.247.249	000-22306-400-0	CF RES. 22K J 0.0625W T

MAIN BOARD PCB-PART LIST

Ref.	Phonic	Specifications
R105,205	000-82226-400-0	CF RES. 8K2 J 0.25W T
R106.107.131.133.206. 207.231.233	000-20206-400-0	CF RES 2K J 0.0625W T
R108.109.125.129.137- 140.155.208.209.225.2 29.237-240.255.283.	000-10306-400-0	CF RES. 10K J 0.0625W T
R115.116.142.144.215. 216.248.242.244	000-47306-400-0	CF RES. 47K J 0.0625W T
R117,217	000-24316-400-0	CF RES. 24K J 1/8W T
R118.135.136.145.146. 119.122.152.218.219.2 22.235.236.245.246.25 2	000-10506-400-0	CF RES. 1M J 0.0625W T
R120.121.126.150.151. 220.221.206.250.251	000-51306-400-0	CF RES. 51K J 0.0625 T
R123.124.127.128.134 *2.153.154.159.223.22 4.227.228.253.254	000-10406-400-0	CF RES. 100K J 0.0625W T
R130.132.230.232	000-24106-400-6	CF RES 240 J 0.0625W T
R148	000-47326-000-0	CF RES. 47K J 0.25W U
R156.158,181.182.281. 282	000-33126-000-0	CF RES. 330 J 0.25W U
R157,183	000-10326-000-0	CF RES. 10K J 0.25W U
R161.261	000-56206-400-0	CF RES. 5K6 J 0.0625W T
R162	000-22106-400-0	CF RES. 220 J 0.0625W T
R163,R263	000-56226-000-0	CF RES. 5K6 J 0.25W U
R164,264	000-39226-400-0	CF RES. 3K9 J 0.25W T
R243.141.143.241	000-15206-400-0	CF RES. 1K5 J 0.0625W T
R256.258	000-33106-400-0	CF RES. 330 J 0.0625W T
R257	000-10306-400-0	CF RES. 10K J 0.0625W T
R259	000-10426-000-0	CF RES. 100K J 0.25W U
R260	000-22326-000-0	CF RES. 22K J 0.25W U
R262	000-22126-000-0	CF RES. 220 J 0.25W U
R301,307	000-27426-400-0	CF RES. 270K J 0.25W T
R302,306,308,312,603	000-56426-400-0	CF RES. 560K J 0.25W T
R303	000-24426-400-0	CF RES. 240K J 0.25W T
R304,314,605	000-62426-400-0	CF RES. 620K J 0.25W T

MAIN BOARD PCB-PART LIST

Ref.	Phonic	Specifications
R310,601	000-68426-400-0	CF RES. 680K J 0.25W T
R315,305	000-33426-400-0	CF RES. 330K J 0.25W T
R401	000-22126-400-0	CF RES. 220 J 0.25W T
R402-415,701-706,607 -610,707-710,612-614, 616,712-714,716	000-18126-400-0	CF RES. 180 J 0.25W T
R501,505	000-24126-400-0	CF RES. 240 J 0.25W T
R502,504	000-68226-400-0	CF RES. 6K8 J 0.25W T
R503,506	000-10126-400-0	CF RES. 100 J 0.25W T
R507,510	005-68026-400-0	MOF RES. 68 + -5% 2W T
R508,509	000-18226-400-0	CF RES. 1K8 J 0.25W T
R511	000-22236-400-0	CF RES 2K2 J 0.5W T
R511	322-01000-100-0	TUBE 10MM*D1
R604,309,313	000-30426-400-0	CF RES. 300K J 0.25W T
R611	000-15126-400-0	CF RES. 150 J 0.25W T
R711	000-15126-400-0	CF RES. 150 J 0.25W T
R715,615	000-12126-400-0	CF RES. 120 J 0.25W T
TVR301-315,TVR601-6	020-20454-000-0	T/VR. 200K 0.1W D8 S 3M

16

VR & SWITCH PCB-PART LIST

Ref.	Phonic	Specifications
	F03-06000-002-0	MQ3600 B(MQ3300M-B)
	210-02201-000-0	P/SW SPJ222SE01-PJ
	211-10051-080-0	5P WAFER/S S5B-EH
	290-03000-202-0	PCB MQ3300M(B)
	379-01800-101-0	M.WIRE UL1007 #26 80MM BLK
	382-10007-510-0	TINNER WIRE 7.5MM D0.6
	382-10010-010-0	TINNER WIRE 10MM D0.6
	F03-06000-003-0	MQ3600 I
	000-91226-400-0	CF RES. 9K1 J 0.25W T
	026-20332-000-0	SS/VR 20K W 20MM P
	027-10432-000-0	DS/VR 100K B 20MM P
	290-03060-100-0	PCB MQ3600 I
	382-10010-010-0	TINNER WIRE 10MM D0.6
	590-42003-100-0	M/E PAN SCR. M2.0*3 NI
	F03-06000-004-0	MQ3600 H
R830,930	000-12126-400-0	CF RES. 120 J 0.25W T
R826,926	000-15126-400-0	CF RES. 150 J 0.25W T
R822-825,827-829,831 ,902-925,927-929,931	000-18126-400-0	CF RES. 180 J 0.25W T
R551,553	000-18226-400-0	CF RES. 1K8 J 0.25W T
R901	000-22126-400-0	CF RES. 220 J 0.25W T
R803	000-24426-400-0	CF RES. 240K J 0.25W T
R801,807	000-27426-400-0	CF RES. 270K J 0.25W T
R813,819,809	000-30426-400-0	CF RES. 300K J 0.25W T
R805,815	000-33426-400-0	CF RES. 330K J 0.25W T
R811,817,821	000-39426-400-0	CF RES. 390K J 0.25W T
R802,806,808,812,818	000-56426-400-0	CF RES. 560K J 0.25W T
R804,814,820	000-62426-400-0	CF RES. 620K J 0.25W T
R550,R552	000-68036-400-0	CF RES 68J 1/2W T
R810,816	000-68426-400-0	CF RES. 680K J 0.25W T
TVR801-816,TVR817-8 31	020-20454-000-0	T/VR. 200K 0.1W D8 S 3M
C550,C551	030-10658-000-0	E/C 10MF Z 50V 5*11 P
C552,C553,C554	030-22738-000-0	E/C 220MF Z 25V 8*14 P
C804,C805	032-15525-000-0	NP E/C 1.5MF K 16V 5*11 P
C802,C803	032-22525-000-0	NP E/C 2.2MF K 16V 5*11 P

VR & SWITCH PCB-PART LIST

Ref.	Phonic	Specifications
C801	032-33525-000-0	NP E/C 3.3MF K 16V 5*11 P
C940.942.944.946.918. 938.916.936	042-10448-000-0	C/C2 0.1MF Z 100V 5
C826	046-10304-001-0	M/C 0.01MF J 50V 3.5
C824,C825,C912,C913	046-15304-020-0	M/C 0.015MF J 50V 5
C814,C815,C902,C903	046-15404-020-0	M/C 0.15MF J 50V 5
C924,C925,C932,C933 ,C934,C935	046-22204-020-0	M/C 0.0022MF J 50V 5
C822.823.910.911	046-22304-003-0	M/C 0.022MF J 50V 5
C901,C812,C813	046-22404-020-0	M/C 0.22MF J 50V 5
C930,C931	046-33204-020-0	M/C 0.0033MF J 50V 5
C820,C821	046-33304-020-0	M/C 0.033MF J 50V 5
C922,923	046-39204-020-0	M/C 0.0039MF J 50V 5
C908.909	046-39304-001-0	M/C 0.039MF J 50V 5MM
C928.929.830.831	046-47204-004-0	M/C 0.0047MF J 50V 5
C829,920,921	046-56204-002-0	M/C 0.0056MF J 50V 5
C818,C819	046-56304-020-0	M/C 0.056MF J 50V 5
C808,C809	046-56404-020-0	M/C 0.56MF J 50V 7.5
C828,926,927	046-68204-003-0	M/C 0.0068MF J 50V 5
C906,C907	046-68304-020-0	M/C 0.068MF J 50V 5
C827,C914,C915	046-82204-020-0	M/C 0.0082MF J 50V 5
C816.817.904.905	046-82304-000-0	M/C 0.082MF J 50V 5
C806,C807	046-82404-020-0	M/C 0.82MF J 50V 7.5
C810.C811	050-33404-001-0	M.M/C 0.33MF J 100V 10
D550,D551	090-01203-010-0	Z/DIODE 20V K 0.5W FAIRCH
	160-00000-902-0	IC NJM 4558DD JRC
	290-03060-200-0	PCB MQ3600 H
	382-10010-010-0	TINNER WIRE 10MM D0.6
	385-08050-320-0	8P M.RIBBON WIRE 50MM
	550-20014-000-0	CHASSIS (ZN)
	F03-06000-005-0	MQ3600 IC501/502. Q501/502. Q550/551
Q550	120-00000-300-0	TRAN. 2SD882 P NEC
Q501	120-00005-701-0	TRAN. MJE3055 T0220
Q551	121-00000-400-0	TRAN. 2SB772 P NEC
Q502	121-00003-900-0	TRAN. MJE2955 T0220
IC502	160-00002-000-0	IC LM317T NS

VR & SWITCH PCB-PART LIST

Ref.	Phonic	Specifications
IC501	160-00002-100-0	IC LM337T NS (DIP)
	211-10031-170-0	3P WAFER/S 2532-03 (PITCH:2.5MM)
	290-63600-000-0	PCB MQ3600 IC501/502 Q501/502
	F03-07000-003-0	MQ3300 D(MQ3300M D)
	212-10050-250-0	5P WAFER/P DX-07
	290-03000-300-0	PCB MQ3300M D

MISCELLANEOUS ITEMS

Ref.	Phonic	Specifications
	058-47236-001-0	LINE/C 0.0047MF M 400V
	100-00110-000-0	LED BL-R5132N RED
	100-00150-000-0	LED SE6221 GRN
	210-02101-010-0	P/SW KDC-A04-10BA2-G
	211-03300-010-0	XLR/J SUP-555A
	211-03300-090-0	XLR/J 89M-107 NO PUSH
	281-04000-000-0	FUSE HOLDER FH-B02 EDK
	290-03000-300-0	PCB MQ3300M D
	290-03000-500-0	PCB MQ3300M G
	307-00000-000-0	CORD CONNECTOR HW-C4
	321-00000-000-0	CABLE TIE HW-80M
	322-11910-400-0	TUBE 190MM*D4
	322-23001-000-0	TUBE 30MM*D10
	322-24001-600-0	TUBE 40MM*D16
	322-26002-800-0	TUBE 60MM*D28
	379-02101-121-0	M.WIRE UL1007 #24 100MM RED
	379-02101-131-0	M.WIRE UL1007 #24 100MM ONG
	385-03270-310-0	3P M.RIBBON WIRE 270MM
	510-20290-812-0	PANEL MQ3600
	516-20210-100-0	TOP COV. MQ3600 STEVEN
	517-20180-100-0	BOT. COV. MQ3600 STEVEN
	525-60011-000-0	FEET SIZE:D20*D15*H10.5 NF-008
	541-20020-120-0	S/KNOB 4*9*8 BLK+WHT
	541-20020-320-0	S/KNOB 4*9*8 BLK+SILVERY WHT
	542-20040-120-0	P/KNOB 18*5.5*14 BLK
	542-60090-122-0	P/KNOB 9.5*5.5*8 LOW WHT
	543-20020-120-0	P/KNOB BUSHING 18.5*5.5 BLK
	551-20025-401-0	RT BRKT
	551-20026-000-0	LF BRKT (ZN)
	552-10125-000-0	PCB FIXED ZNW
	552-90001-100-0	X'MER FIXED 20*8*2

MISCELLANEOUS ITEMS

Ref.	Phonic	Specifications
	560-20170-102-0	CARTON MQ3600 SIZE:664*585*382 A=B
	561-20150-302-0	G/B MQ3600 SIZE:570*161*362 300g+B9B9
	566-10015-010-0	SPONGE 40*10*5
	567-60023-000-0	EPE MQ3600
	568-00003-000-0	PE BAG #10 240*340*0.05
	568-10068-000-0	PE BAG 700*430*0.05
	572-00000-050-0	DRYER 5g
	573-10063-012-0	M.I.C LABEL 50*10MM
	573-60240-000-0	BAR CODE LABEL PHONIC SERIES LABEL
	573-60343-000-0	LABEL BLUE D=8mm
	573-60358-000-0	LABEL PVC 13*3.2mm MQ3600
	574-03070-310-0	OWN. MANU. MQ3300
	579-00000-068-0	MINI CATALOG PHONIC SERIES
	590-53004-200-0	M/E SET SCR. M3.0*4 BLK
	590-53008-200-0	M/E SET SCR. M3.0*8 D=6 BLK
	600-00302-210-0	HEX. NUT M3.0*2.2 NI
	610-00301-018-0	FIBER WAS. D3.0*8*1
	610-30400-501-0	TOOTH WAS. D4.0*D8.5*0.5 NI
	615-20013-630-0	CU BOSS M3.0 H21.5
	630-20018-310-0	MYLAR INSU. 80*45*0.2
	631-20010-000-0	HEMELON 324*77.5
BLOCK BACK+PCB	590-33004-200-0	M/E RUD SCR. M3.0*4 BLK
BRACKET	590-53006-100-0	M/E SET SCR. M3.0*6 NI
COV*1	590-42608-200-0	M/E PAN SCR. M2.6*8 BLK
DANEL+CHASSIS	590-03004-100-0	M/E FLT SCR. M3.0*4 NI
EQ*4, SW*2, BOSS*3	590-43006-100-0	M/E PAN SCR. M3.0*6 NI
FEET	590-43012-200-0	M/E PAN SCR. M3.0*12 BLK
FEET	610-00300-502-0	PLA. WAS. D3.0*D7.0*0.5 BLK
IC501.502.Q501.502	314-00000-050-0	BUSHES 602S(V.0) 180DEGREE
IC501.502.Q501.502.5 50.551	313-00000-060-0	RUBBER WASHER TO-2203
IC501.502.Q501.502.5 50.551	610-60300-700-0	PAN SPR WAS. D3.0*6.0*0.7ZN

MISCELLANEOUS ITEMS

Ref.	Phonic	Specifications
IC501/502.Q501.502.5 50.551	526-20040-010-0	HEAT.SINK POD1860 20*18
JACK	379-02101-101-0	M.WIRE UL1007 #24 100MM BLK
JACK*8	591-03006-100-0	T/P FLT SCR. D3.0*6 NI
Q550.551	590-53012-100-0	M/E SET SCR. M3.0*12 NI
SW-FUSE	379-08261-122-0	M.WIRE UL1015 #22 260MM RED
	S03-06000-100-0	MQ3600 PHONIC MATERIAL
	510-20290-812-F	PANEL MQ3600
	511-20110-400-F	BACK PANEL MQ3600/MQ3600
	516-20210-100-F	TOP COV MQ3600/MQ3600
	517-20180-100-F	BOT COV MQ3600/MQ3600

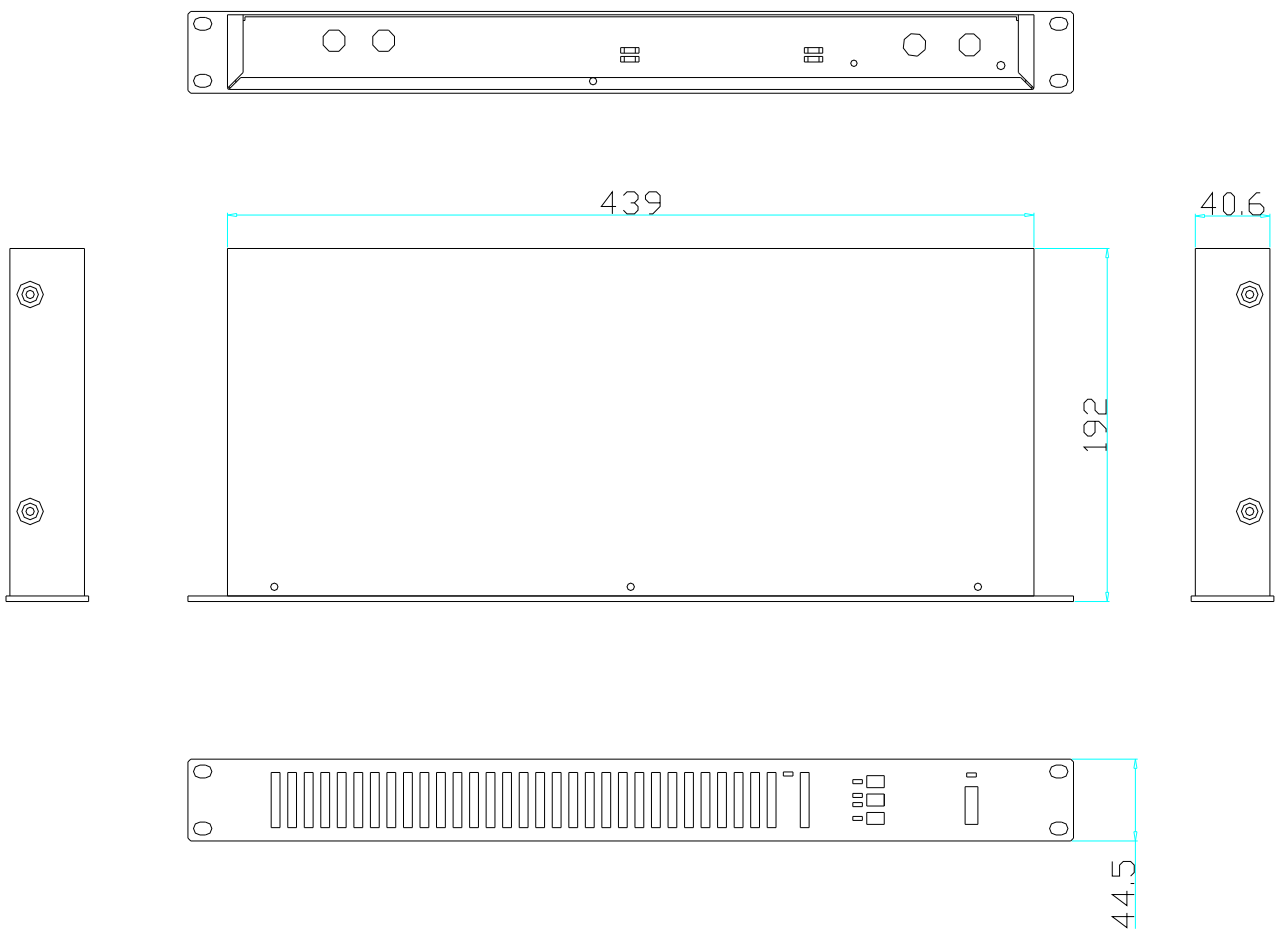
POWER REQUIREMENT CLASSIFICATION

Ref.	Phonic	Specifications
<u>BS</u>		
	070-20118-801-0	X'MER 600mA
	280-1026E-000-0	FUSE T1A 250V S(UL/CSA/JIS/CE)
	280-50165-000-0	FUSE T500MA 250V SMK S
GND	315-00000-000-0	LUG D4 FOR DROUND
	370-26B40-439-1	P/CORD 230V 13A 2m5 BS 3P
	511-20110-702-0	BACK PANEL PEQ3600 PHONIC BS/SAA/SA
	527-01000-000-0	STR.REL.BUSHING 5N4/5W-2
	573-10031-010-0	CAUTION LABEL
	573-10032-010-0	POWER LABEL (ONLY USED IN BS)
GND	590-54008-200-0	M/E SET SCR. M4.0*8 BLK
	600-00403-500-0	HEX. NUT M4.0*3.5 ZN
	610-30400-501-0	TOOTH WAS. D4.0*D8.5*0.5 NI
<u>IEC</u>		
	070-20118-801-0	X'MER 600mA
	280-10263-001-0	FUSE 1A 250V VDE/CE S
	280-50165-000-0	FUSE T500MA 250V SMK S
IEC POWER CORD	370-03410-909-0	P/CORD 220V 2.5A 6F 2P
	511-20110-602-0	BACK PANEL PEQ3600 PHONIC SMK IEC
	527-00000-000-0	STR. REL. BUSHING 4P4 4N-4
<u>SA</u>		
	070-20118-801-0	X'MER 600mA
	280-1026E-000-0	FUSE T1A 250V S (UL/CSA/JIS/CE)
	280-50165-000-0	FUSE T500MA 250V SMK S
	315-00000-000-0	LUG D4 FOR GROUND
	370-12020-829-0	P/CORD 240V 10A/250V 3P6F SA
	511-20110-702-0	BACK PANEL PEQ3600 PHONIC BS/SAA/SA
	527-03000-000-0	STR. REL. BUSHING SBR5-1
	590-54008-200-0	M/E SET SCR. M4.0*8 BLK
GND	600-00403-500-0	HEX. NUT M4.0*3.5 ZN

POWER REQUIREMENT CLASSIFICATION

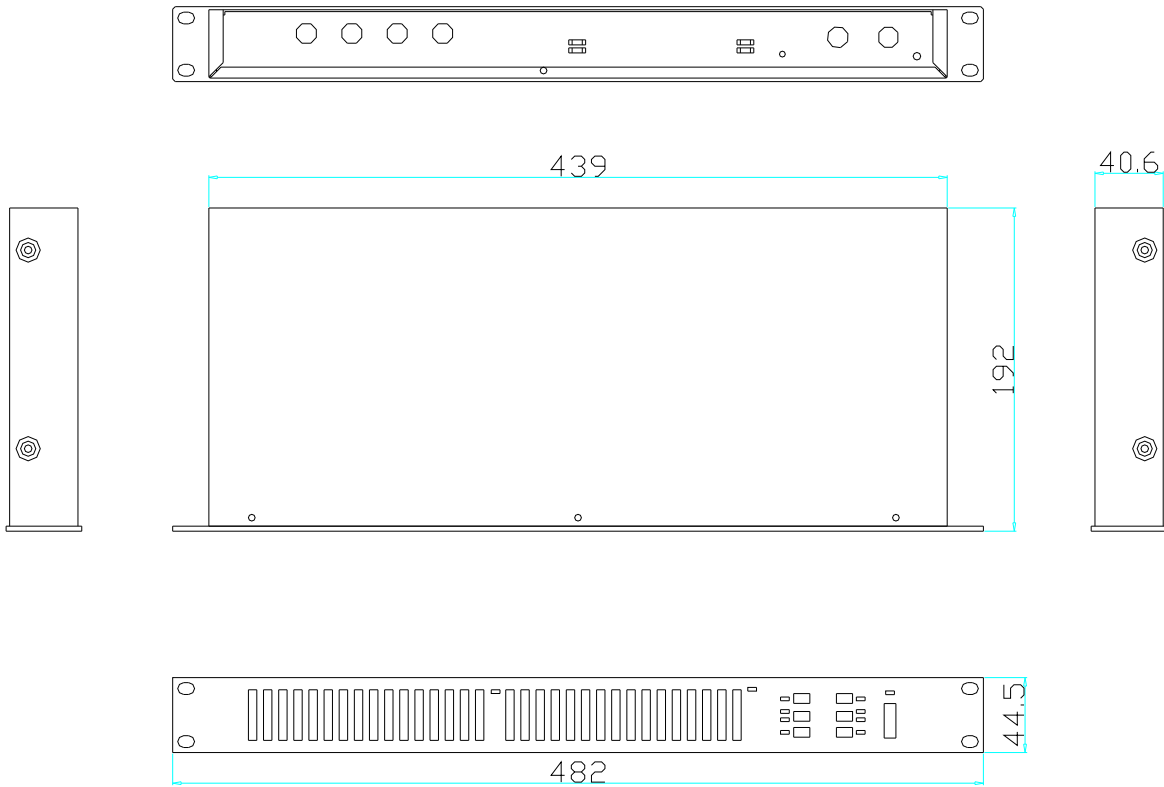
Ref.	Phonic	Specifications
GND	610-30400-501-0	TOOTH WAS. D4.0*D8.5*0.5 NI
<u>UL</u>		
	070-20118-801-0	X'MER 600mA
	280-10261-000-0	FUSE 1A 250V UL/CSA F 5*20
	280-10265-000-0	FUSE T 1A 250V SMK IEC/VDE
	370-24510-203-0	P/CORD 120V 7A 6F 2P SPT-2
	511-20110-402-0	BACK PANEL PEQ3600 PHONIC CSA/UL
	527-06000-000-0	STR. REL. BUSHING 4N4
<u>SAA</u>		
	070-20118-801-0	X'MER 600mA
	280-1026E-000-0	FUSE T1A 250V S (UL/CSA/JIS/CE)
	280-50165-000-0	FUSE T500MA 250V SMK S
GND	315-00000-000-0	LUG D4 FOR GROUND
	370-11310-809-0	P/CORD 240V 7.5A 6F 3P SAA
	511-20110-702-0	BACK PANEL PEQ3600 PHONIC BS/SAA/SA
	527-01000-000-0	STR.REL.BUSHING 5N4/5W-2
GND	590-54008-200-0	M/E SET SCR. M4.0*8 BLK
GND	600-00403-500-0	HEX. NUT M4.0*3.5 ZN
GND	610-30400-501-0	TOOTH WAS. D4.0*D8.5*0.5 NI
<u>JIS</u>		
T1	070-20110-600-0	X'MER 100V JIS PEQ3600
	280-1026B-000-0	FUSE 1A 250V UL/CSA/JIS S
	280-50165-000-0	FUSE T500MA 250V SMK S
	370-16510-609-0	P/CORD 100V 7A 6F 2P JIS
	511-20111-002-0	BACK PANEL PEQ3600 PHONIC JIS
	527-00000-000-0	STR. REL. BUSHING 4P4 4N-4

DIMENSIONS



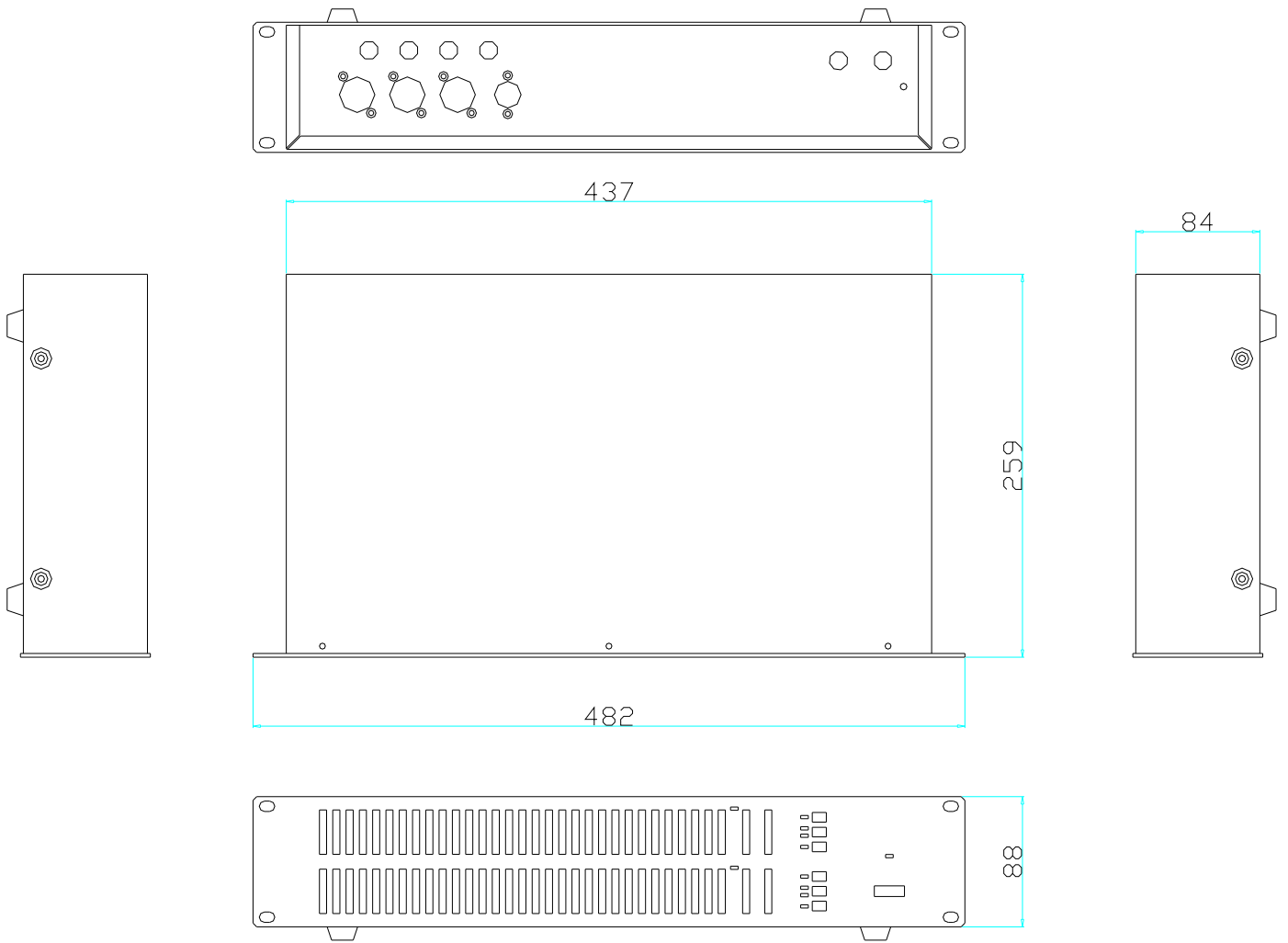
MQ3300

DIMENSIONS



MQ3400

DIMENSIONS



MQ3600

PHONIC
WWW.PHONIC.COM