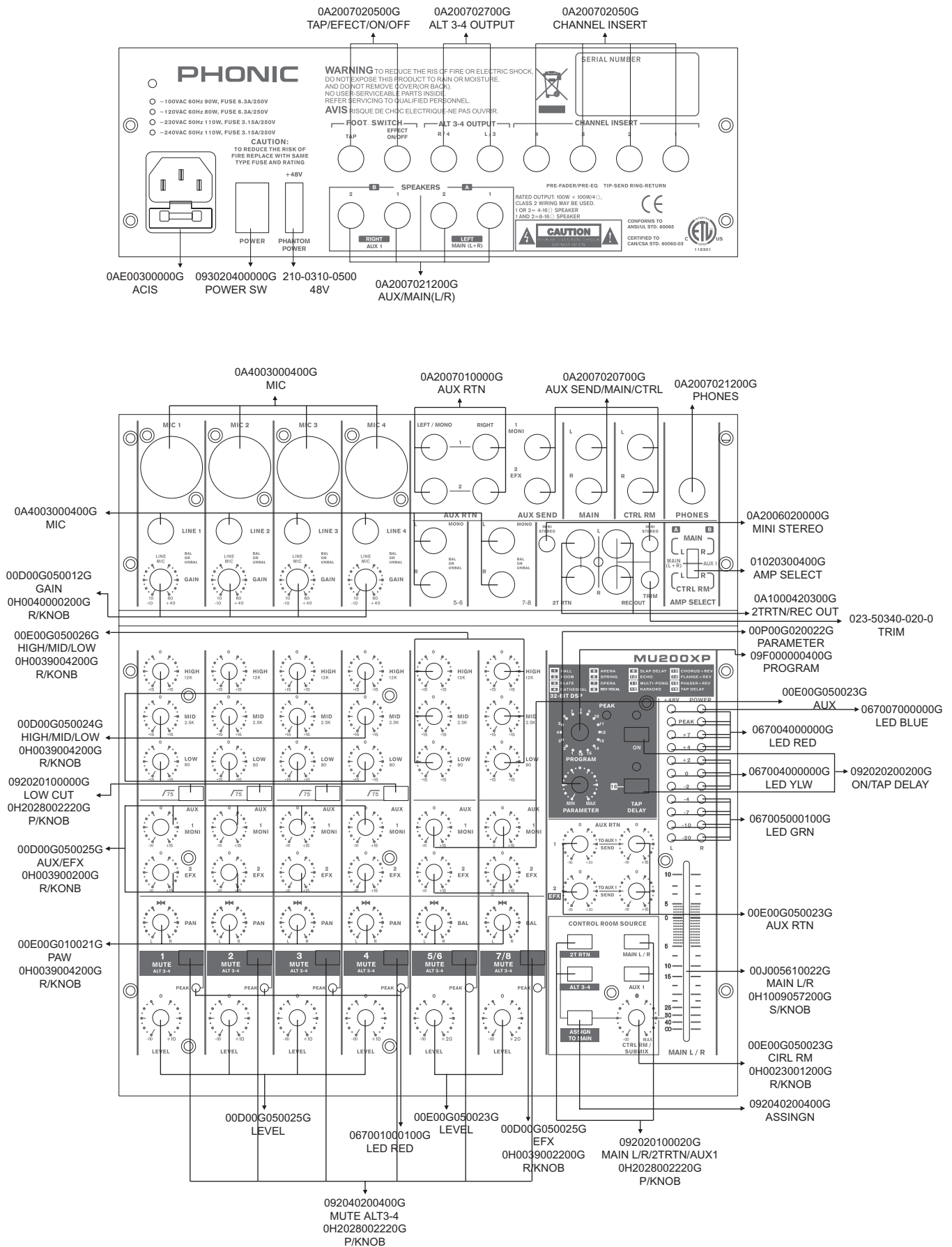




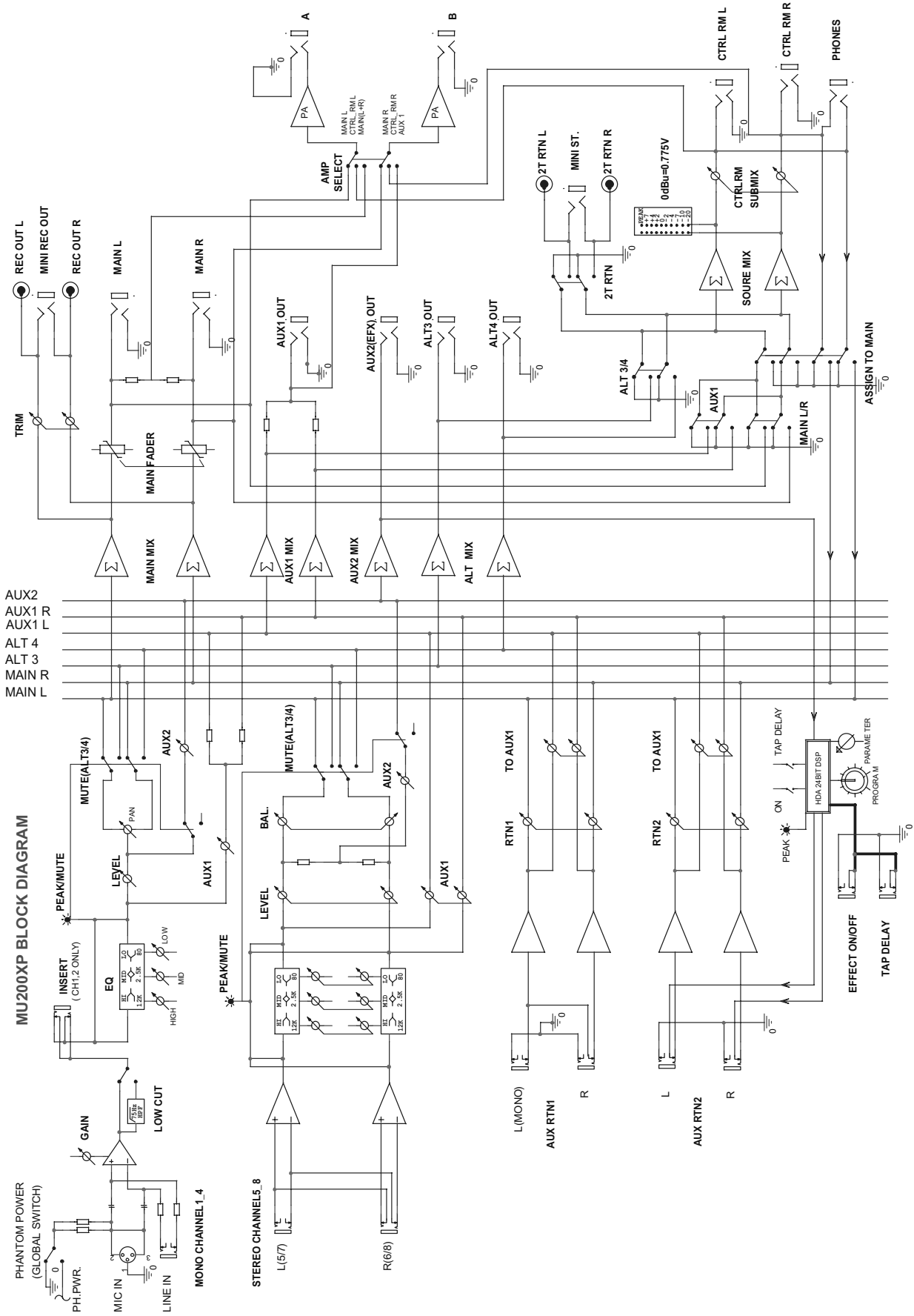
## CONTENTS

PANEL LAYOUT.....	3
BLOCK DIAGRAM.....	4
CH1_4.SCH.....	5
CH5_6.SCH.....	6
RTN.SCH.....	7
MASTER.SCH.....	8
PHONES.SCH.....	9
DSP.SCH.....	10
METER.SCH.....	11
LIMITER.SCH.....	12
AMP.SCH.....	13
OUT.SCH.....	14
POWER.....	15
AMP PCB LIST.....	16
DSP PCB LIST.....	21
MAIN PCB-PART LIST.....	22
MISCELLANEOUS ITEMS.....	24
POWER REQUIREMENT CLASSIFICATION.....	27

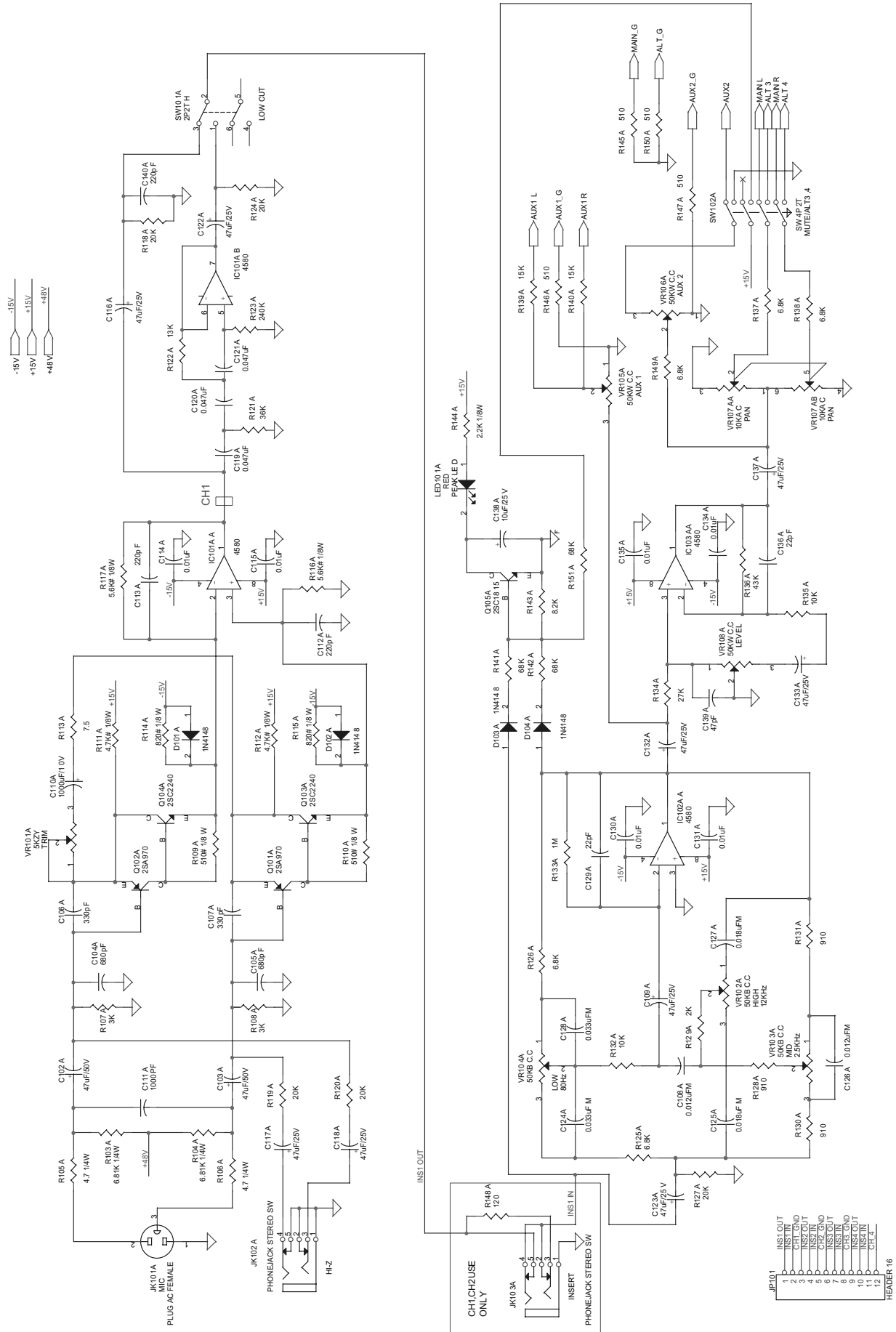
## PANEL LAYOUT



## BLOCK DIAGRAM

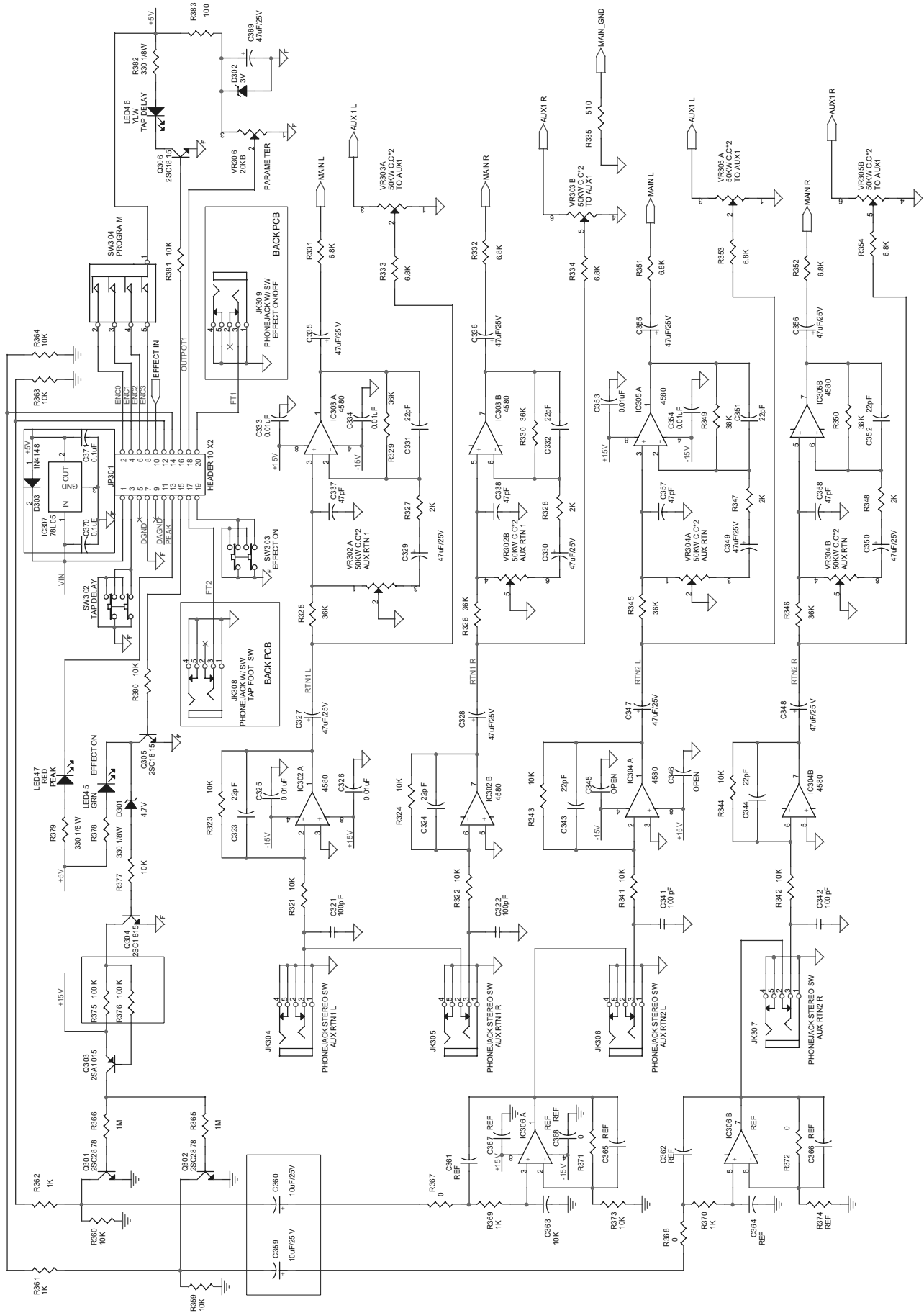


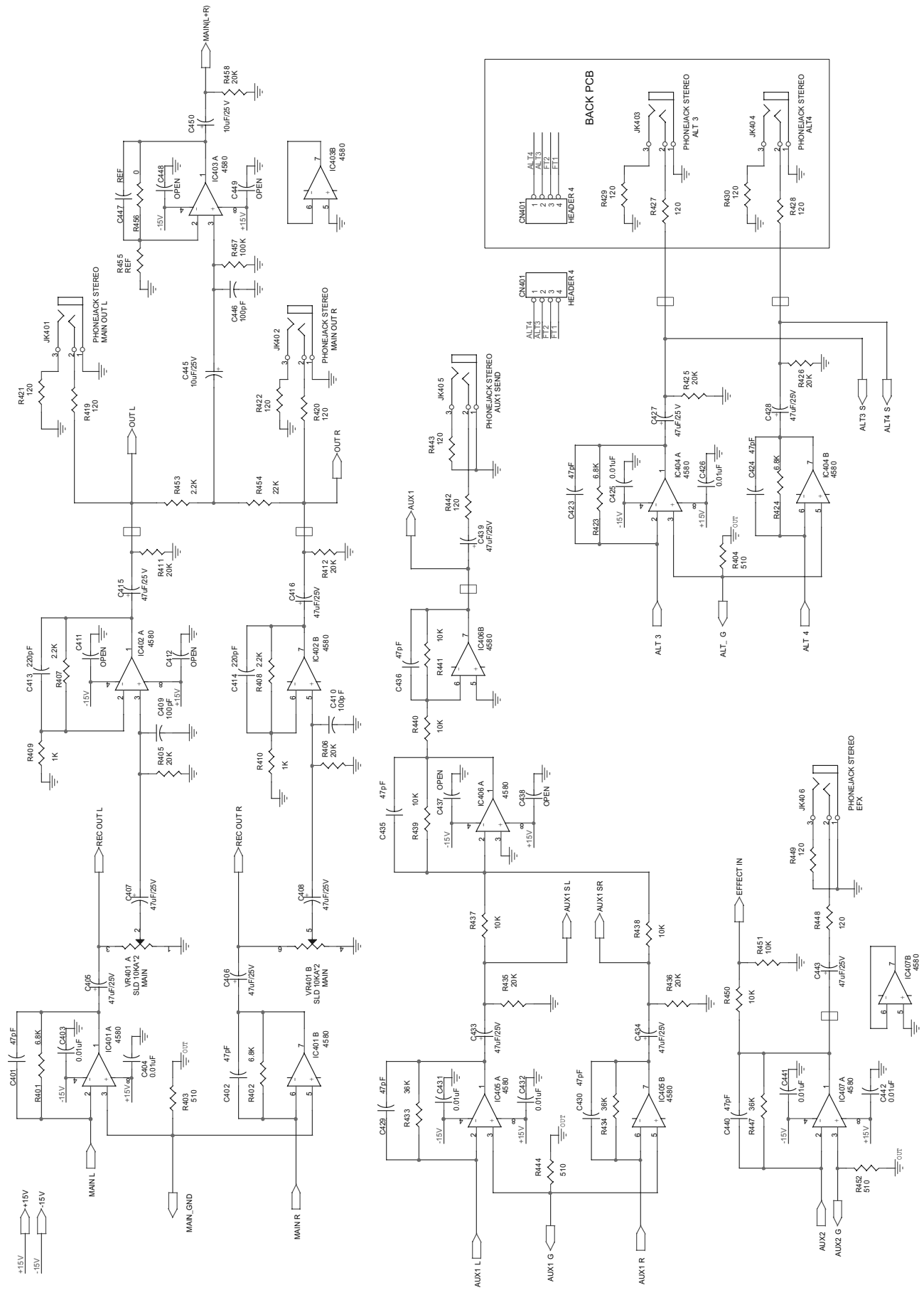
## CH1\_4.SCH





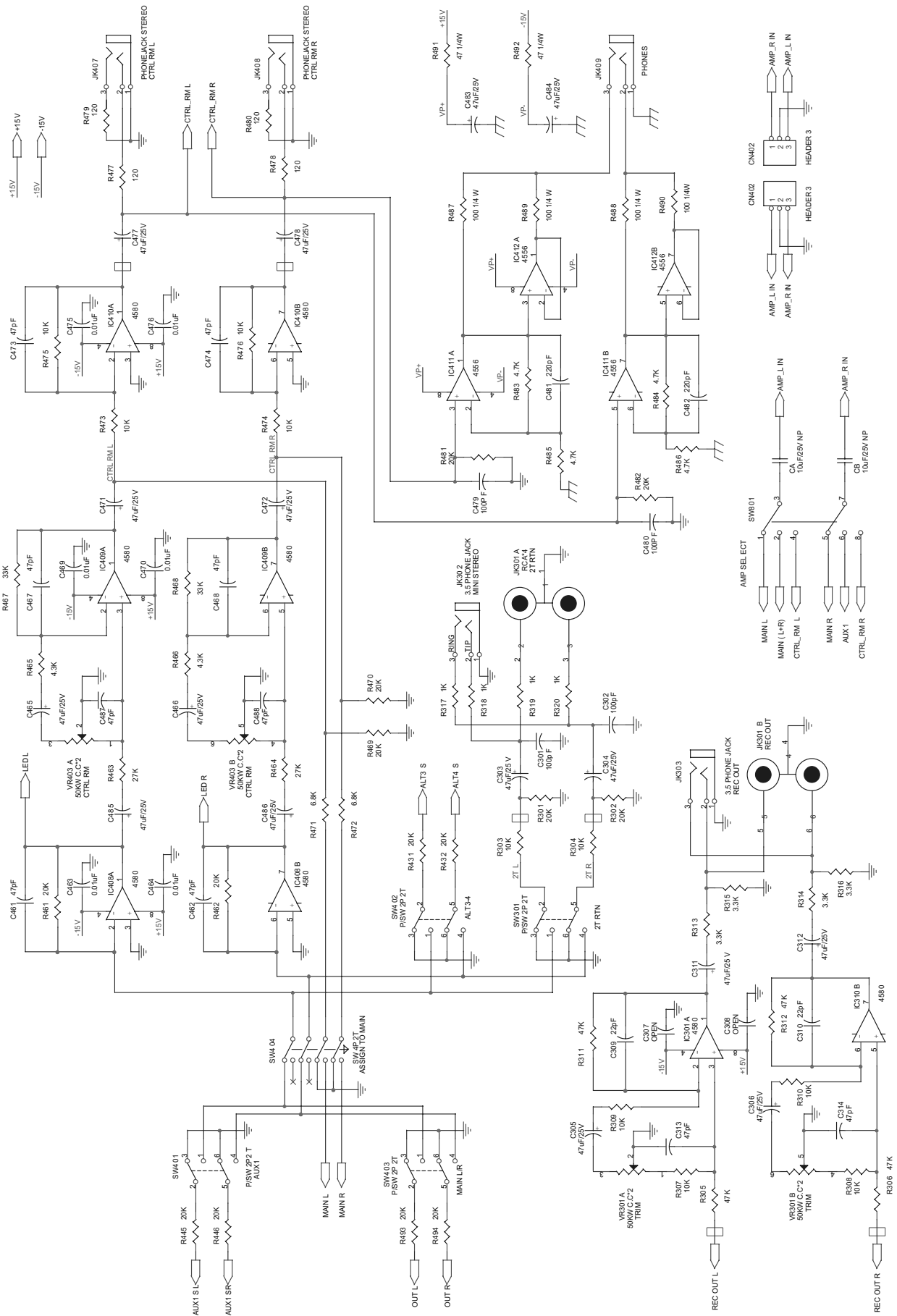
## RTN.SCH

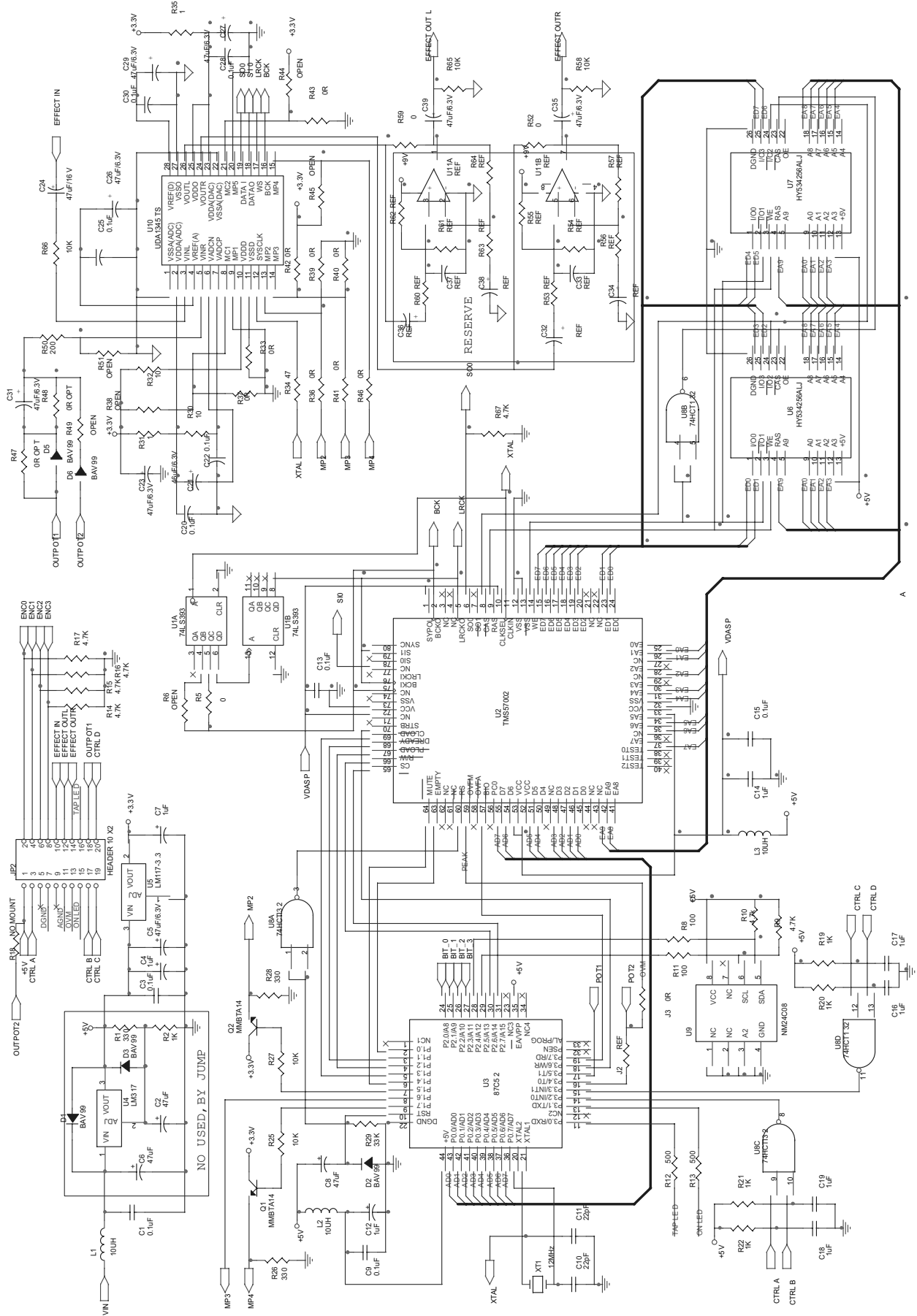




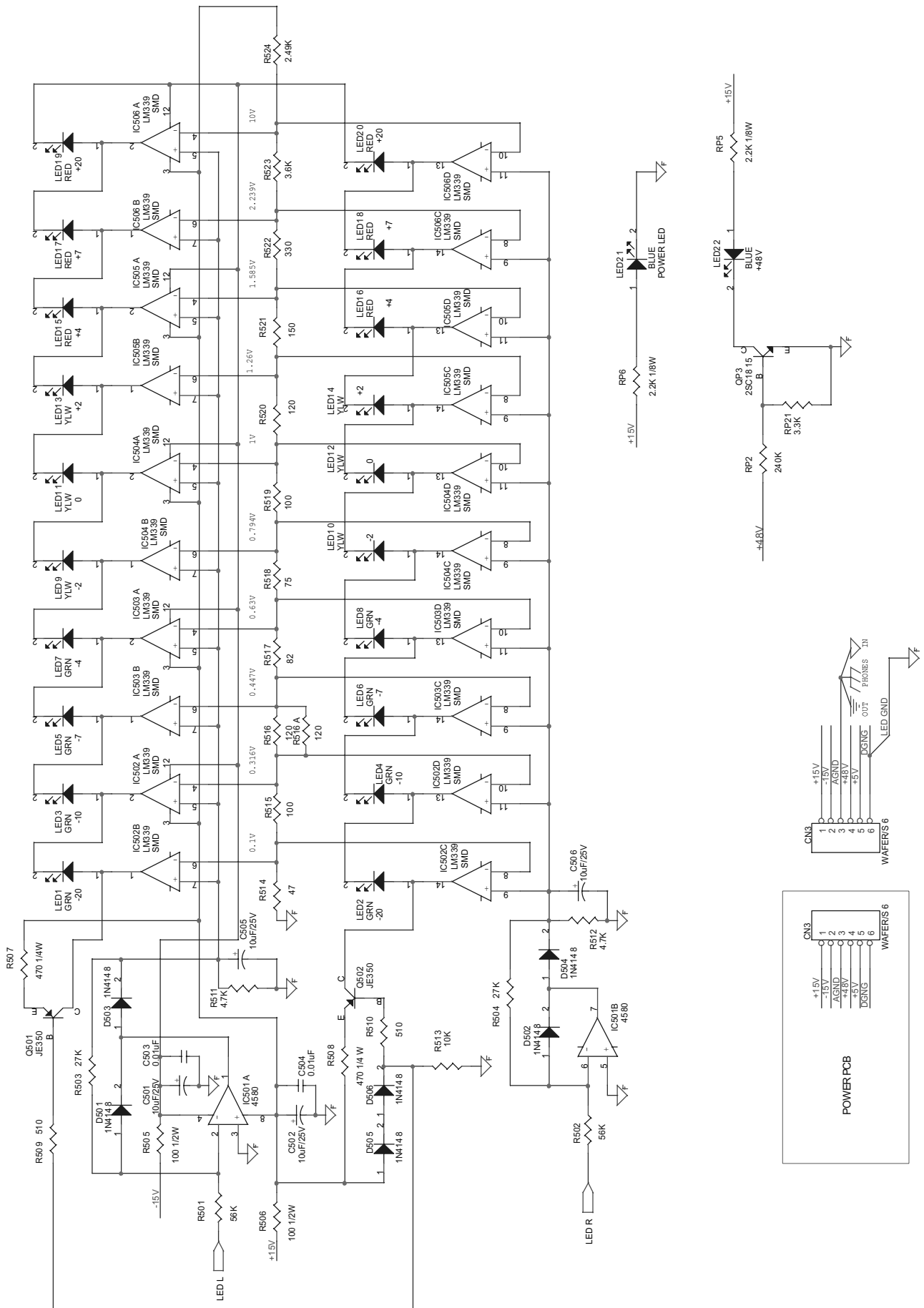


## PHONES.SCH



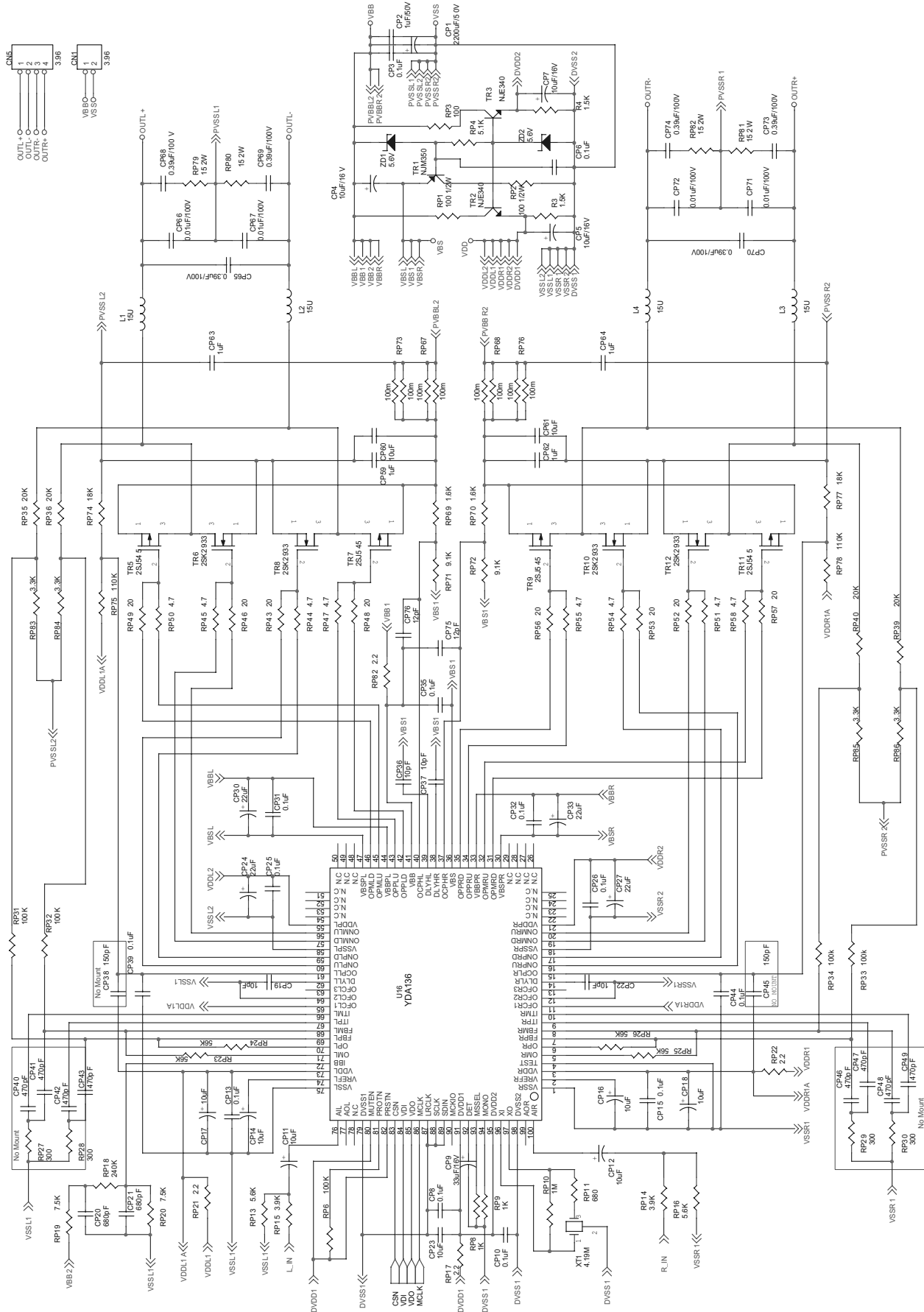


## METER.SCH



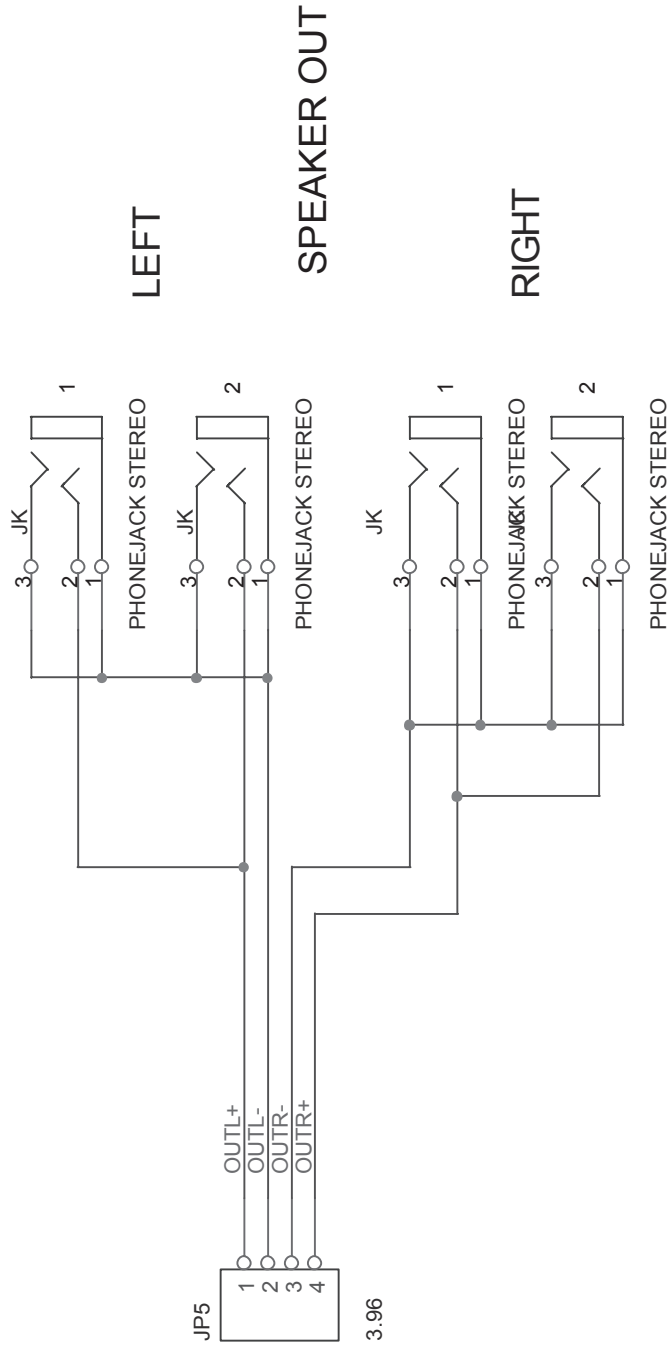


## AMP.SCH



# PHONIC

## OUT.SCH





# PHONIC

## AMP PCB LIST

Phonic Part No.	Specifications	Ref.
000-56236-200-0	CF RES. 5K6 J 0.5W M	R96
003-82073-600-0	CEMENT RES. 82 J 5W	SR24-27
003019712000G	CEMENT RES. 120 J 5W HORIZONTAL	R88
003029710090G	CEMEN RE. 0.1 J 5W ERECT (NON-INFECTED WATER)	RP67.68.73.76
005-15036-400-0	MOF RES. 15 J 3W	RP79-81.87
005006710000G	MOF RES. 100 J 2W T	SR28
005006747070G	MOF RES. 47J 2W +/-5%	R80.80A
006-10003-440-0	MF RES. 100 F 0.5W T	RP1.2.3.SR5
006104547030G	MF RES. 470K 0.5W T	RA1
006105510030G	MF RES. 100K F 1W T	R71.72
008000Z00003G	CDS MI0202CL MACRON	CDS1.2
00A000925081G	NTC TERMISTOR N15SP2R5L +/-15%	NTC1.2
00C251020010G	R/VR. 2KB 0.5W D10 S 3M	SVR401
010032402282G	E/C 2200uF 50V 31*18 (-40°C ~	CP1
01926L201010G	C/C2 100PF M 1KV 5	SC1
01926L204710G	C/C2 470PF M 1KV	C62.62A
01J22E102240G	LINE/C 0.22uF K 275V P (SQUAREFX)	C50.80
020033003500G	COIL (THREE LAYER'S INSULATION)	T3
020033003700G	EI X'MER 120V	T2
020033003800G	EI COIL. RG160/260	T403
030-47758-002-0	E/C 470uF Z 50V 13*18 (-40°C ~	C67-70.75.7
030-687A6-200-0	E/C 680uF 250V M	C54.55
030000000800G	CHOCK COIL TF5104 BOND PAD	L5.6
030000000900G	CHOCK COIL 1111 BOND PAD	L11.12
030000001500G	BEAD COIL 1119 BOND PAD	L10.13
050-39405-100-0	MM/C 0.39uF K 100V	CP65.68-70.73.74
058-22225-000-0	LINE/C 0.0022MF K 250VAC (YF2A	C51.52
060000000200G	DIODE UF4003	SD1.2.D12.13
060000000500G	DIODE UF4007	SD8.9
060000000700G	DIODE 1N4004 SILTEK T	D22-27.SD11
060000001300G	DIODE H16C40C MOSPEC	D20
060000001400G	DIODE HER103	D19.28
060000001500G	DIODE H16C40A MOSPEC	SQ7
066000000100G	B/DIODE PB154	SD10
066000000400G	B/DIODE PBU805	D9
067001000100G	LED BL-B5141 RED	LED601.602
067004000000G	LED BL-B3141 YLW	SLED1
070-2096B-800-0	EE-4215 X'MER MU200XP	T1
070000000710G	TRN KTC3198-GR KEC SUBSTITUTE 2SC1815	Q601-604
070100003900G	TRN MJE340 SOT32-D(ON/MO)	TR2.3.13
071000002700G	TRP MJE350 SOT-93-D (ON)	TR1



072-20145-000-0	CHOCK COIL 3UH 8A	L9
072-20146-000-0	CHOCK COIL 15UH BEAD	L1-4
072-20155-000-0	CHOCK COIL	SL1
072000002100G	MOSFET IRG4PC50W IR	SQ1.2
0800000085A0G	ML7815A-FBE TO220	IC4
0800000086A0G	ML7915A-FBE TO220	IC5
080000010500G	IC KA3842B	SU1
080001000750G	ML7805A-FBE TO220	IC3
0AA000230000G	2P WAFER/S 5267 A2505 WV P=2.5	CN4
0AA000230100G	2P WAFER/S TJC3-2A PH=2.5MM 18	CN1
0AA000330000G	3P WAFER/S TJC3-3A PH=2.5	CN2
0AA000460000G	4P WAFER/S A3963WV2-4P	CN5
0AA000730100G	7P WAFER/S TJC3-7A PH=2.5	CN6
0AB002020000G	IC/S 20P 9.8*25MM	U17
0F505B010000G	M.WIRE UL1007#18 100MM YLW/GRN	
0F7001250600G	TINNER WIRE 12.5MM D0.6	D18
0G9013000100G	U型 HEAT.SINK POD1860 20*18	TR13.SQ7
0G9069000100G	HEAT SINK(B) 15*10.7*40mm AL B	TR1.2.3
0J2005500010G	FAN FIXED SECC1.0	
0L0030081000G	M/E FLT SCR. M3.0*8 NI D=6	FAN&RADIATHING FIN*2
0L0430061000G	M/E PAN SCR. M3.0*6 NI	HEAT SINK*8
0L0430101000G	M/E PAN SCR. M3.0*10 NI D=5.5	IC3-5.D20.TR5-13.SQ1.2.7
0L0430141000G	M/E PAN SCR. M3.0*14 NI D=5.5M	FOR FAN
0L1530082000G	T/P SET SCR. D3.0*8 BLK	TR1.2.3
0M0003020100G	HEX. NUT M3.0*2.0 NI	TR13.SQ7
0N0000000000G	TRANSISTOR WASHER TO-220	IC3-5.D20.SQ7
0N0000007100G	WASHER TO-3P	SQ1.2
0N1000001000G	LUG 3D	
0N1000006000G	LUG (SQUARE) PIN JP-15	AC1.2
0ND000200001G	BUSHES 602S(V.0) 180 DEGREE	IC3-5.SQ7.D20
0ND003005100G	PLA. WAS. D3.0*D7.0*0.5 NI	IC3-5.SQ1.2.7.D20.FIXED FAN*2
0ND003005810G	FIBER WAS. D3*D8*0.5 RED	HEAT SINK&AMP PCB
0ND003020810G	FIBER WAS. D3.0*D8.0*2.0 RED	HEAT SINK&FAN BRACKET
0ND603010100G	SPR .WAS. D3*D5*1 NI	TR1.2.3.5-12.IC3-5.D20.TR13. SQ1.2.7
0NH147100200G	ZNR 470V	RV1
122-00005-000-0	MOSFET 2SJ545	TR5.7.9.11
122-00005-100-0	MOSFET 2SK2933	TR6.8.10.12
177-00004-300-F	IC TMP86P202P	U17
300-20003-001-0	CRYSTAL 2MHZ	Y1
300-41903-000-0	CRYSTAL 4.19MHZ	XT1
313-00000-080-0	IC WASHER 14*8.8mm MICA	TR1.2.3.13
347-00000-251-0	FAN CHA4012AB	
526-60099-010-0	HEAT SINK MU200XP SIZE:80*35*1	

# PHONIC

526-60100-010-0	HEAT SINK MU200XP	
C00-C7000-002-0	MU200XP SMD PCB A/I	
080101005800G	IC NJM2058V SMD REEL(JRC)	U18.19
160-00030-100-0	IC YDA136	U16
H00-C7000-002-0	MU200XP AMP PCB A/I	R608.622
000-15406-400-0	CF RES. 150K J 1/8W T	RP69.70.R4
000-16206-400-0	CF RES. 1K6 J 1/8W T	RP43.46.48.49.52.53.56.57
000-20006-400-6	CF RES 20J 1/8W T	RP43.46.48.49.52.53.56.57
000-20406-400-0	CF RES. 200K J 1/8W T	R603-605.617-619
000-22706-400-0	CF RES 2.2 J 1/8W T	RP17.21.22.82
000-24206-400-0	CF RES 2K4 J 1/8W T	RP14.15
000-24406-400-0	CF RES 240K J 1/8W T	RP18
000-33406-400-0	CF RES 330K J 1/8W T	R611.625
000-68106-400-0	CF RES. 680 J 1/8W T	RP11.R609.623
000-75206-400-0	CF RES. 7K5 J 1/8W T	RP19.20.
000-91206-400-0	CF RES. 9K1 J 1/8W T	RP71.72
000102710010G	CF RES. 1K J 1/8W T	RP8.9
000102710040G	CF RES. 1M J 1/8W T	RP10
000102739010G	CF RES 3K9 J 1/8W T	RP13.16
000102747080G	CF RES 4.7 J 1/8W T	RP44.45.47.50.51.54.55.58
000102768010G	CF RES 6.8K J 1/8W T	R610.624
000102768070G	CF RES. 68 J 1/8W T	R607.621
000102782010G	CF RES. 8K2 J 1/8W T	R602.612.616.626
006-11030-440-0	MF RES. 110K F 1/8W T	RP75.78
006-18020-440-0	MF RES. 18K F 1/8W T	RP74.77
006-20020-440-0	MF RES 20K F 1/8W T	RP35.36.39.40
006-56020-440-0	MF RES. 56K F +/-1% 1/8W T	RP23-26
006-62010-440-0	MF RES. 6.2K F 1/8W T	R601.615
006102510020G	MF RES. 10K F 1/8W T26mm	R97
006102510030G	MF RES.100K F 1/8W T	RP6.31-34
006102522010G	MF RES. 2K2 F 1/8W T26mm	R606.620
006102533010G	MF RES. 3K3 F 1/8W T	RP83-86
006102582010G	MF RES. 8K2 F 1/8W T26mm	R613.627
006103510000G	MF RES. 100 F 1/4W T	R86
006103510010G	MF RES. 1K F 1/4W T	SR1.2.13.18.21.23
006103510020G	MF RES. 10K F 1/4W T	SR19.20.R81.82
006103510080G	MF RES. 1 F 1/4W T26mm	R85.89
006103512020G	MF RES. 12K F 1/4W T	R94
006103515010G	MF RES 1K5 F 0.25W T	SR11.16
006103518000G	MF RES. 180 F 0.25W T	SR7
006103520020G	MF RES. 20K F 0.25W T	SR15
006103520030G	MF RES. 200K F 0.25W T	SR9
006103522070G	MF RES. 22 F 0.25W T	SR6
006103524020G	MF RES. 24K F 0.25W T	SR22

006103527030G	MF RES. 270K F 1/4W T26mm	SR17
006103533010G	MF RES. 3K3 F 1/4W T	R95
006103533020G	MF RES. 33K F 1/4W T	R87
006103547000G	MF RES 470 F 0.25W T	SR8.R84
006103547010G	MF RES. 4K7 F 1/4W T	SR12.14
006103551010G	MF RES 5K1 F 0.25W T	RP4
006103551070G	MF RES. 51 F 1/4W T	SR3.4
006103556020G	MF RES. 56K F 1/4W T	R83
006103568000G	MF RES. 680 F 0.25W T	SR10
010332201070G	E/C 100MF M 16V T 6*11 (-40°C	C604.608
010332402260G	E/C 22uF Z 16V 5*11 T -40°C _	C87
010333402270G	E/C 220uF Z 25V 8*14 T(-40°C _	C60
010335401050G	E/C 1uF Z 50V 5*11 T -40°C~+85	CP2.59.62
010335401060G	E/C 10uF Z 50V 5*11 T (-40°C	CP4.5.11.12.14.16.17.18.7.C71.7 2.74
010335401070G	E/C 100uF Z 50V 8*12 T (-40°C	C57
010335402250G	E/C 2.2uF Z 50V 5*11 T (-40°C	SC11
010335404760G	E/C 47uF Z 50V 8*11 T (-40°C	SC10
010336404760G	E/C 47uF Z 63V 8*11 T (-40°C	C65.66
010338204760G	E/C 47uF M 100V 10*17 T	C64
012335102260G	NP E/C 22uF K 50V 8*11 T	CP24.27.30.33
012335201050G	NP E/C 1uF M 50V 6*11.5 T	CP63.64
019365001000G	C/C2 10PF 50V 5T P	CP19.22.36.37
019365002200G	C/C2 22PF J 50V 5T P	C606.610
019365002210G	C/C2 220PF J 50V 5 T	C605.609
019365003300G	C/C2 33PF J 50V 5T P	C85.86
019365201040G	C/C2 0.1uF M 50V 5T P	CP3.6.8.10.13.15.25.26.31.32.35.3 9.44.88.58
01F336001020G	MP/C 0.001uF J 63V P (SQUARE)	SC6
01F336002220G	MP/C 0.0022uF J 63V T (ESK063D)	SC2
01F336101030G	MP/C 0.01uF K 63V T(SQUARE PP ES)	SC3.4
01F336101040G	MP/C 0.1uF K 63V T(ESK063P10JA)	SC7.8.9
01F336103920G	MP/C 0.0039uF K 63V (SQUARE)	SC5
030-10686-0A0-0	E/C K 10MF 100V T (-40°C ~ +85	C81
030-33658-0A0-0	E/C 33MF/50V 5*11 T	CP9
032-10658-0A0-0	NP E/C 10MF Z 50V 6*11 T	CP23.60.61
042-10328-050-0	C/C2 0.01MF Z 50V 5 T	C601.602.611.612
042-15025-050-0	C/C2 15PF K 50V 5 T	CP75.76
042-50024-050-0	C/C2 50PF J 50V 5 T	C603.607
042-68124-050-0	C/C2 680PF J 50V 5 T	CP20.21
051-10315-000-0	M.P/C 0.01uF K 100V	CP66.67.71.72
0610A1223000G	Z/DIODE 22V 0.5W 1N5251B	ZD6
0610A2183000G	Z/DIODE 18V K 0.5W FAIRCH	SZD2-5
0610A2273000G	ZEN/DIODE 27V K 0.5W	ZD5

# PHONIC

---

0610A2303000G	Z/DIODE 30V K 0.5W FAIRCH	SZD1
0610A2562000G	Z/DIODE 5V6 K 0.5W FAIRCH	ZD1.2.601.62
062000000100G	DIODE 1N4148 SPEC T26MM CARRIER TAPE MI	D601-608
070000000200G	TRAN. 2N3904 RCA	SQ3.4.6
070000000710G	TRN KTC3198-GR KEC (SUBSTITUTE 2SC1815)	TR15
070001001010G	TRN KTC3200 KEC (SUBSTITUTE 2SC2240)	TR14
071000000100G	Tr. 2N3906 DIP ON	SQ5
290-60200-300-0	MU200XP AMP PCB DOUBLE-SIDE	

## DSP PCB LIST

Phonic Part No.	Specifications	Ref.
0ND001620100G	CRYSTAL iINSULATED PAD OA-6	Y3.4
0NH016004100G	CRYSTAL 16MHZ HC-49US	Y4
0NH020004100G	CRYSTAL 20MHz 49S	Y3
C00-B5000-005-0	HB/MU/PHONIC NEW-TI D	
007200700000G	CHIP RES. 0 J 0603	R65.118.119
007200710000G	CHIP RES. 100 J 0603	R73
007200710010G	CHIP RES. 1K J 0603	R71.79.82.97.100
007200710020G	CHIP RES. 10K J 0603	R3.4.6.14.17.19.21.24.31.33.38-41.43.45-48.50-52.54.55.72.112.117.120.128.130.132.134.135.137.139
007200720080G	CHIP RES. 2 J 0603	R76
007200722010G	CHIP RES. 2K2 J 0603	R26.67
007200722020G	CHIP RES. 22K J 0603	R27.34.36.37
007200733070G	CHIP RES. 33 J 0603	R1.2.7-12.15.18.20.22.23.25.28-30.42.44.49.53.57.61.66.69.116.121.122.126
007200747020G	CHIP RES. 47K J 0603	R35.74
007200762070G	CHIP RES. 62 J 0603	R56
007210712000G	CHIP RES. 120 J 0805	R68
016465001000G	CHIP C/C 10PF J 50V 0	C26.27
016465001010G	CHIP C/C 100PF J 50V	C3
016465002000G	CHIP C/C 20P J 50V 06	C39.40
016465201040G	CHIP C/C 0.1uF M 50V	C2.6-13.16.22.34.37.43.44.76-86.88-92
016962201060G	CHIP E/C 10uF M 16V 4	C1.28-30.33.35.38.42.46.47.50.56
016965201050G	CHIP E/C 1uF M 50V 4*	C19
030100000A00G	BEAD COIL 0805	L1.2
070100002900G	TRN BC846B SOT-23-M R	Q1
080100003100G	IC LD1117S33TR SOT-22	U8
080101010800G	IC LM1117S-ADJ/TR SOT	U3
084100000A1TG	IC MSP430F1471 Phonic	U1
084100000B00G	DSP TMS320VC5501PGF30	U2
085100000A00G	IC IC42S16100-7T TSOP	U6
087100000A00G	IC TLV320AIC23BPW TSS	U10
0D0200070700G	PHONIC NEW-T1 DSP PCB	

# PHONIC

## MAIN PCB-PART LIST

Phonic Part No.	Specifications	Ref.
000104710000G	CF RES. 100 J 1/2W T26mm	R505.506
00D00G020022G	S.ROT/VR. 20KB 30MM P	VR306
00D00G050012G	S.ROT/VR 5KZY L=30MM	VR101A-101D
00D00G050024G	S.ROT/VR. 50KB(C.C) 30MM P	VR102A-102D.103A-103D.104A-104D
00D00G050025G	S.ROT/VR. 50KW(C.C)30MM P HIGH TRIM	VR105A-105D.106A-106D.108A-108D.205A.205B
00E00G010021G	D.ROT/VR 10KA/10KC 30MM P	VR107A-107D.206A.206B
00E00G050023G	D.ROT/VR 50KW(C.C) 30MM P	VR204A.204B.207A.207B.302-305.403
00E00G050026G	D.ROT/VR 50KB(C.C) 30MM	VR201A-203A.201B-203B
00J005610022G	D.SLD/VR. 10KD*2 60MMP	VR401
010331401080G	E/C 1000uF Z 10V D8*14 P	C110A-110D
023-50340-050-0	D.ROT/VR 50KB*2 (C.C) 25MM P	VR301
067001000100G	LED BL-B5141 RED	LED15-20.22.47.201A.201B.101A-101D
067004000000G	LED BL-B3141 YLW	LED9-14.46
067005000100G	LED BL-B2141 GRN	LED1-8.45
067007000000G	LED 204UBD D3 BLUE	LED21
071000002700G	TRP MJE350 SOT-93-D (ON)	Q501.502
080000006500G	IC NJM4556AL (JRC)	IC411.412.
091020300400G	SLD/SW SSK-23E03-G10-NS	SW801
092020100000G	PSH/SW 2P2T SFPC12MC03-PF	SW101A-101D.301.401-403
092020200200G	PSH/SW UNLOCK MR4283	SW302.303
092040200400G	PSH/SW SFPE14MD01-PJ	SW102A-102D.202A.202B.404
09F000000400G	ENCODER SDB161PVB20F-1-4-16PC	SW304
0A1000420300G	4P RCA/J RL-1414-4D	JK301
0A2006020000G	3D5/J EJ 3536B	JK302.303
0A2007010000G	6D3/J JY-6351-02-130 SCJ-0658	JK304-307
0A2007020500G	6D3/J (SCJ-0658-Y) (FIVE-PIN JACK)	JK102A-102D.103A-103D.201A.201B.202A.202B.308.309
0A2007020700G	6D3/J JY-6351-02-030 SCJ-0658(3	JK401-408
0A2007021200G	6D4/J YLJ-6405-300 (NUT&WA	JKR1.R2.L1.L2
0A2007021300G	6D3/J PLASTIC TIP	JK409
0A4003000400G	XLR/J SKCA229-1K3F2 (SVP56	JK101A-101D
0AA000530100G	5P WAFER/S TJC3-5A PH=2.5M	CN402
0AA001230000G	12P WAFER/P 180 DEGREE P=2.5	CN101
0AA100331300G	3P WAFER/P 440MM	JP2
0AA102040000G	20P WAFER/P 120MM UL2651#28	JP301
0F516B015000G	WIRE UL1015#16 150MM GRN+YLW	G-G
0N8001026200G	LED BOSS L=13 LEDS=13	ALL LED
0ND000008000G	XLR/J FIBER WAS. T0.8	JK101A-101D
211-06204-020-0	20P PIN/S DOUBLE ROW-ANGLE	
212-10044-000-6	4P WAFER/P UL1015#18 200MM	CN1
212-10051-422-0	5P WAFER/P 420MM	JP402

212-10071-140-0	7P WAFER/P 300MM	JP6
212-10120-170-0	12P WAFER/P 250MM	JP101
610-00000-801-0	FIBER WAS. T1.0	VR301*2
630-60026-410-0	TAPE WITH ONE SIDE OF ALUMINIUM FOIL INSULATOR	JK102A-102D
C00-C7000-001-0	MU200XP MAIN PCB SMD	
007200700000G	CHIP RES. 0 J 0603	R367.368.371.372.456
007200710000G	CHIP RES. 100 J 0603	R383.515.519
007200710010G	CHIP RES. 1K J 0603	R317-320.361.362.369.370.409.410
007200710020G	CHIP RES. 10K J 0603	R201A-208A.201B-208B.215A .215B.216A.216B.237A.237B. 238A.238B.303.304.307-310. R341-344.363.364.380.381.437-441.453.454.473-476.321-324.450.451.457.R132A-132D.135A-135D.513.375-377.467.468.483.484. C363.364
007200710030G	CHIP RES. 100K J 0603	R365.366
007200710040G	CHIP RES. 1M J 0603	R133A-133D.225A.225B.226A.226B
007200710070G	CHIP RES. 10 J 0603	R113A-113D
007200712000G	CHIP RES. 120 J 0603	R148A-148D.419-422.429.430.442.443 .448.449.477-480.516.516A.520
007200712030G	CHIP RES. 120K J 0603	RP2
007200713020G	CHIP RES. 13K J 0603	R122A-122D
007200715000G	CHIP RES. 150 J 0603	R521
007200715020G	CHIP RES. 15K J 0603	R139A-139D.140A-140D.353.354
007200718010G	CHIP RES. 1K8 J 0603	R524
007200720010G	CHIP RES. 2K J 0603	R129A-129D.217A.217B.218A.218B.3 27.328.229A.229B.230A.230B
007200720020G	CHIP RES. 20K J 0603	R301.302.405.406.411.412.425.426.4 31.432.435.436.445.446.461.462.469. 470.496-498.R481.482.493.494.118A-118D.119A-119D.120A-120D.124A-124D.127A-127D
007200722010G	CHIP RES. 2K2 J 0603	R407.408
007200724030G	CHIP RES. 240K J 0603	R123A-123D
007200727020G	CHIP RES. 27K J 0603	R134A-134D.463.464.501-504
007200730010G	CHIP RES. 3K J 0603	R107A-107D.108A-108D
007200733000G	CHIP RES. 330 J 0603	R522
007200733010G	CHIP RES. 3K3 J 0603	RP21.R313-316
007200736020G	CHIP RES. 36K J 0603	R121A-121D.227A.227B.228A.228B.2 33A.233B.234A.234B.325.326.329.330 .345.346.349.R350.433.434.447
007200739010G	CHIP RES. 3.9K J 0603	R471.472
007200743010G	CHIP RES. 4K3 J 0603	R465.466
007200743020G	CHIP RES. 43K J 0603	R136A-136D
007200747010G	CHIP RES. 4K7 J 0603	R347.348.485.486.511.512



# PHONIC

## MISCELLANEOUS ITEMS

Phonic Part No.	Specifications	Ref.
01J12D201020G	LINE/C 0.001UF M 250V Y2	POWER SW
093020400000G	SSW/SW HF-606P 6A 250V 4P 17*12.	SW1
0AA100231700G	2P WAFER/P 330MM UL1007#24	
0AE003000000G	AC/S 0717-1-PS	SK1
0G7018000200G	HANDLE 10*50 COLOR:WHT	
0G8011000800G	FEET D20*20*8.0MM SF-006	
0H0023001200G	R/KNOB D12.25*18mm GREY BODY+RED CAP	CTRL RM/SUB MIX*1
0H0023002200G	R/KNOB insert half-depth of knob12 12.25*18 GREY BODY+BLUE	PROGRAM*1
0H0039002200G	R/KNOB GREY BODY+BLUE CAP	AUX MONI I/EFX2*12,AUXRTN/ TO AOX1*2,PARAMETER*1
0H0039003200G	R/KNOB GREY BODY+WHT CAP	AUX RTN 1/2EFX
0H0039004200G	R/KNOB GREY BODY+BLUE GREY CAP	HIGH12K*6,MID2.5K*6,LOW80* 6,PAN*6
0H0040000200G	R/KNOB INSERT HALF-DEPTH OF KNOB 15 BLK	GAIN*4
0H1009057200G	S/KNOB RED BODY+WHT POINT	
0H2028002220G	P/KNOB WHT BODY+COOL GREY 11C	
0K4000500100G	SPONGE 40*10*5	STICK TO JP402*1 OF THE SILICON STEEL SHEET*3
0K6000400000G	BAG #10 240*340*0.05	FOR OWN MANU
0K6003800000G	PE BAG 300*110*0.05	PACKED POWER WIRE
0K7050000000G	DRYER 5g	
0K8008300000G	BARCORD LABEL PHONIC THREE COPIES	
0K8009300000G	INDICATE/LABEL LABEL BLUE D=8MM	
0L0030061000G	M/E FLT SCR. M3.0*6 NI	FIX PANEL & L/R PANEL *16,CHASSIS&L/R BRA*6
0L0030081000G	M/E FLT SCR. M3.0*8 NI D=6	PANEL&MAIN PCB*9
0L0430041000G	M/E PAN SCR. M3.0*4 NI D=5.5	CHASSIS&COPPER PILLAR*4
0L0430061000G	M/E PAN SCR. M3.0*6 NI	COPPER PILLAR&DSP PCB*4,FIX POWER PCB*4
0L0430081000G	M/E PAN SCR. M3.0*8 NI D=5.3	FIX MAIN PCB*9,FIX POWER PCB*1
0L0530061000G	M/E SET SCR. M3.0*6 NI	FIXED BOT COV.*8
0L1030081000G	T/P FLT SCR. D3.0*8 NID=6.0MM	MIC JACK*8
0L1530101000G	T/P SET SCR. D3.0*10 NI	REC JACK
0N8000606200G	SPACER SUPPORT H-16	PAENL TO MAIN PCB
0N8002046300G	HEX.BOSS M3.0*8mm	FIXED DSP PCB & CHASSIS
0NB001806620G	SPEC FIXED PIN SR-2 WHT	DISCERN DIFFERENT VOLTAGE
0ND003010810G	FIBER WAS. D3.0*8*1 RED	MAST PCB&BOSS*9
0ND209010100G	TOOTH WAS. D9*12*1 NI	ALL D6.3 JACK
0ND303005100G	TOOTH WAS. D3.0*D6.5*0.5 NI	GND
0ND603007100G	PAN SPR WAS. D3.0*6*0.7 NI	GND*1



0NG200060000G	HEMELON 20*70	L/R LED
0NG200080000G	HEMELON 24*12	SW801
0NG200220000G	HEMELON 10*10	
0NG200250000G	HEMELON 85*22	SLIDE VR
210-03101-050-0	SSA/SW R612KKAT0F	SW2
379-09800-123-0	M.WIRE UL1015 #20 80MM RED	
380-60016-000-0	180MM SINGLE COPPER CORE.SINGLE PORT UL1015 #16 BLK	
380-60017-000-0	180MM SINGLE COPPER CORE.SINGLE PORT UL1015 #16 WHT	
380-60560-000-0	WIRE W/LVG UL1015 #18 140MM GRN+YLW	
510-62400-100-0	PANEL MU200XP	
510-62400-000-F	PANEL MU200XP MATERIAL	
512-60021-020-0	LEFT SIDE PANEL MM1202 MATERIAL:ABS	
512-60022-020-0	RIGHT SIDE PANEL MM1202 MATERIAL :ABS	
517-61080-000-0	BOT COVER MU200XP PHONIC	
517-61080-000-F	BOT COV MU200XP MATERIAL	
540-20460-320-0	R/KNOB D12.25*18mm GREY BODY+WHT CAP	LEVEL*6
551-60118-000-0	L/BACKET MU200XP PHONIC	
551-60118-000-F	L/BACKET MU200XP PHONIC MATERIAL	
551-60119-000-0	R/BACKET MU200XP PHONIC	
551-60119-000-F	R/BACKET MU200XP MATERIAL	
553-60021-401-0	SHIELDED CHASSIS T=0.5 SILICON STEEL SHEET	
560-61330-000-0	CARTON MU200XP PHONIC	
561-61030-000-0	COLOR BOX MU200XP PHONIC	
565-60082-000-0	R/POLYLON MM1202XP	
565-60083-000-0	L/POLYLON MM1202XP	
568-10057-000-0	PE BAG 500*450*0.05	
574-00C70-110-0	OWN. MAUN. MU200XP	
590-54014-200-0	M/E SET SCR. M4*14 BLK	L/R SIDE PANEL
630-20035-410-0	INSU 70*60MM TAPE WITH ONE SIDE, FIREPROOF MATERIAL	STICK TO SL1 OF THE SILICON STEEL SHEET
630-60083-411-0	MAIN PCB INSULATOR PC254.3*232.4*0.5mm	
630-60084-410-0	BOT. COV INSULATOR PC218*217*2.5mm	

# PHONIC

## POWER REQUIREMENT CLASSIFICATION

Phonic Part No.	Specifications
SA	
0C0063315001G	FUSE 3.15A 250V UL/CSA/JIS
0F0270601220G	P/CORD 6A 250V SA 1.8M 3P
JIS	
0C0063630000G	FUSE 6.3A 250V VDE/CE S
0F0160701620G	P/CORD 7A 125V 2P 6F JIS
UL	
0C0063630000G	FUSE 6.3A 250V VDE/CE S
0F0081001720G	P/CORD 120V 10A 6F 3PUL/CSA
IEC	
0C0063315001G	FUSE 3.15A 250V UL/CSA/JIS
0F0151001321G	P/CORD 230V 10A FRENCH SYSTEM WALL OUTLET+AC CONNECTOR 1.8M/3C
0K8009200000G	WEEE LABEL 230/240V 47-900-16
KR	
0C0063315001G	FUSE 3.15A 250V UL/CSA/JIS
0F0061001A20G	P/CORD 220V/10A 1.83M CREN SYSTEM WALL OUTLET + AC CONNECTOR
BS	
0C0063315001G	FUSE 3.15A 250V UL/CSA/JIS
0F0261001420G	P/CORD 240V 10A 6F 3P BS
0K8000100100G	POWER LABEL (ONLY USED IN BS)
0K8009200000G	WEEE LABEL 230/240V 47-900-16
SAA	
0C0063315001G	FUSE 3.15A 250V UL/CSA/JIS
0F0111001820G	P/CORD 240V 10A 6F 3P SAA SVT

**PHONIC**  
WWW.PHONIC.COM