

DJ MIXER

**MX 300**

# SERVICE MANUAL

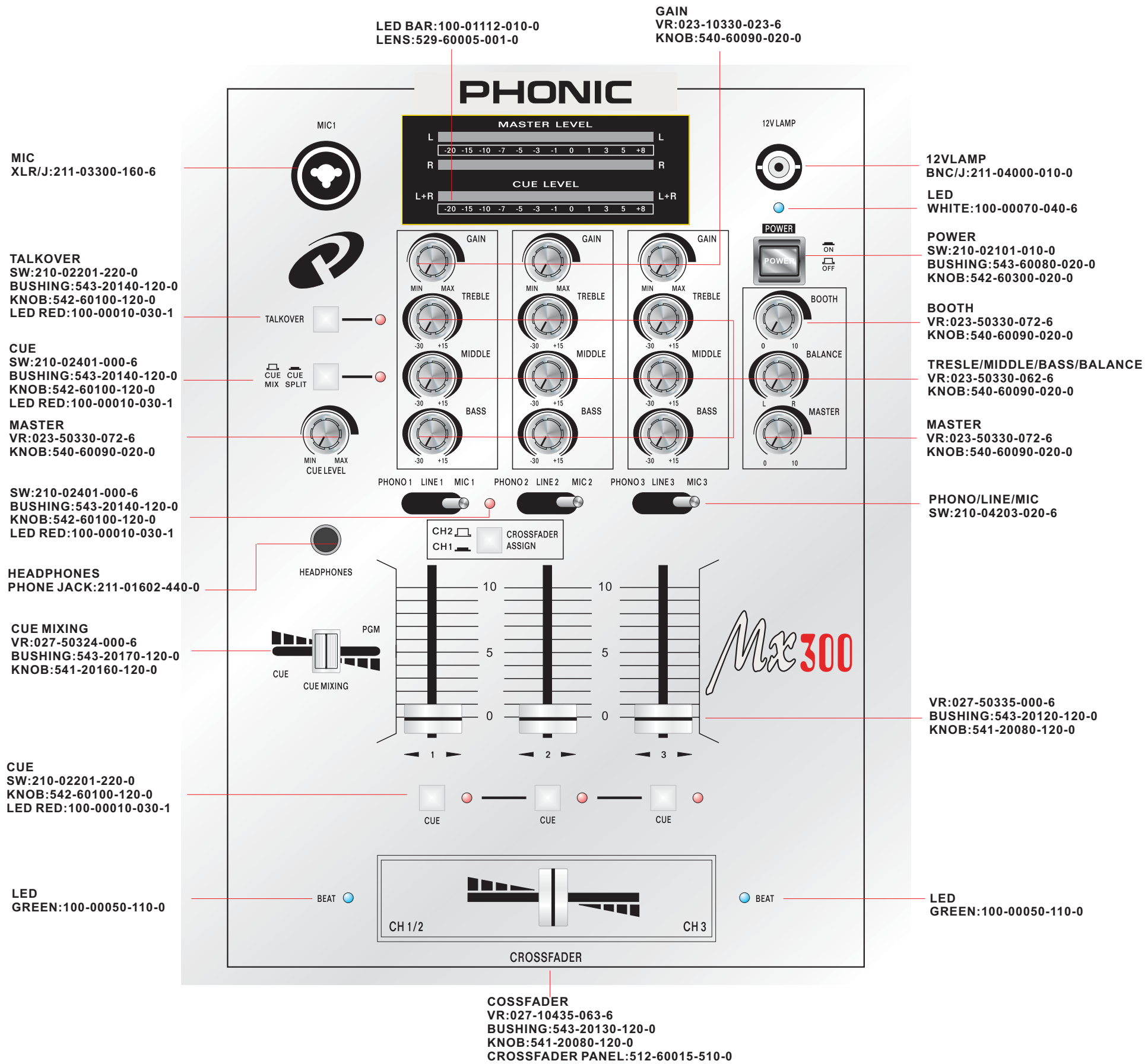


**PHONIC**  
[www.phonic.com](http://www.phonic.com)

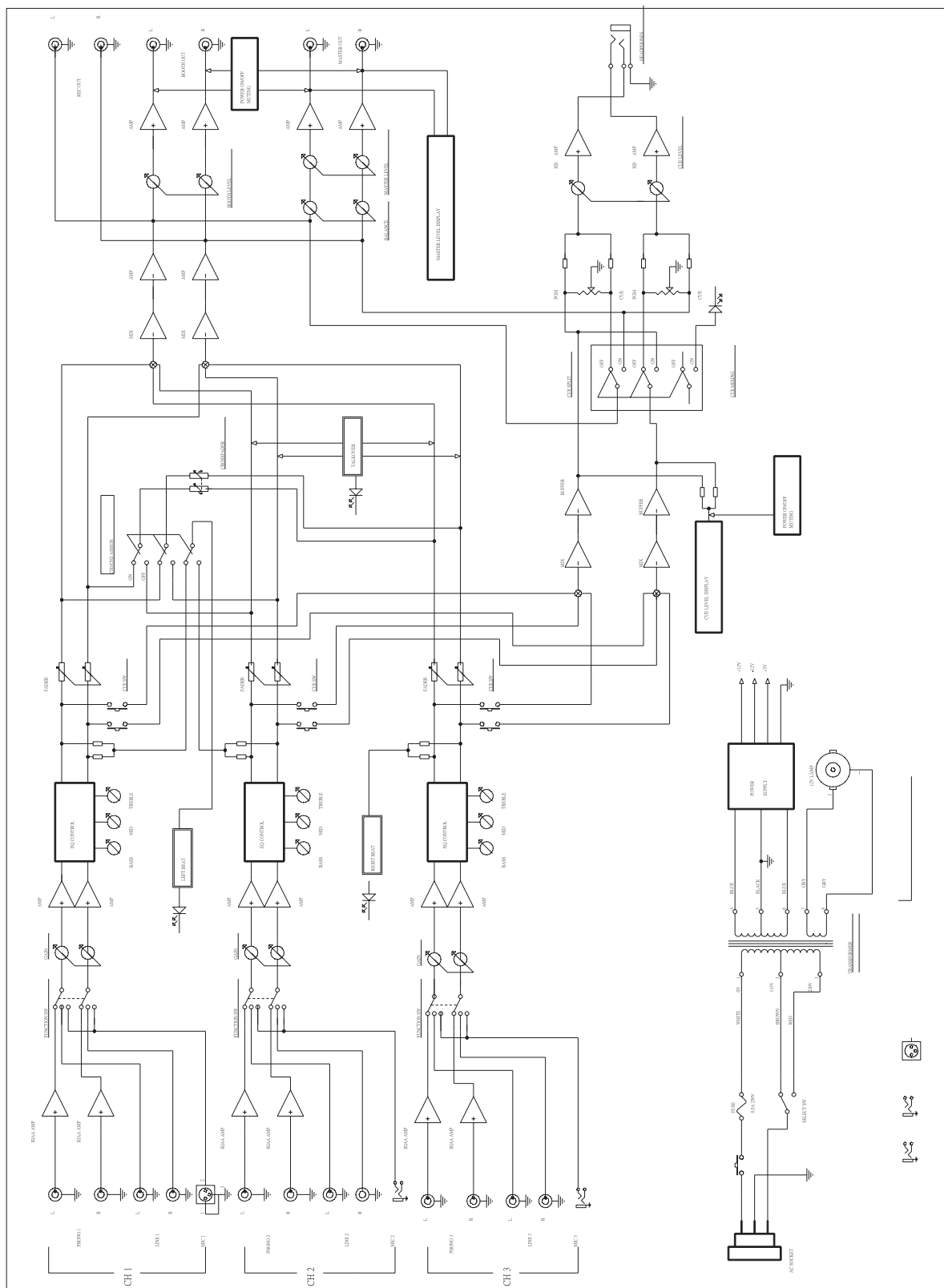
**CONTENTS**

<b>PANEL LAYOUT.....</b>	<b>3</b>
<b>SYSTEM BLOCK DIAGRAM.....</b>	<b>4</b>
<b>PCB</b>	
MASTER PCB.....	5
OUTPUT PCB.....	6
POWER PCB.....	7
<b>SCHEMATIC</b>	
CH 1~2 BEAT SCHEMATIC.....	8
CH_1 TONE SCHEMATIC.....	9
CH_2 TONE SCHEMATIC.....	10
CH_3 TONE SCHEMATIC.....	11
CROSSFADER SCHEMATIC.....	12
CUE OUTPUT SCHEMATIC.....	13
CUE DISPLAY SCHEMATIC.....	14
L_R DISPLAY SCHEMATIC.....	15
MIC INPUT SCHEMATIC.....	16
MIX SCHEMATIC.....	17
REC/BTH/MAST SCHEMATIC.....	18
POWER SUPPLY SCHEMATIC.....	19
CH_1_2 INPUT SCHEMATIC.....	20
CH_3 INPUT & OUTPUT SCHEMATIC.....	21
<b>PART LIST</b>	
MAIN PCB-PART LIST.....	22
INPUT PCB-PART LIST.....	29
POWER PCB-PART LIST.....	31
MISCELLANEOUS ITEMS.....	32
POWER REQUIREMENT CLASSIFICATION.....	36
IC LIST.....	37
<b>DIMENSIONS.....</b>	<b>38</b>
<b>EXPLODED VIEW.....</b>	<b>39</b>

Phonic reserves the right to improve or alter any information supplied within this document without prior notice.  
V2.1 28/01/03

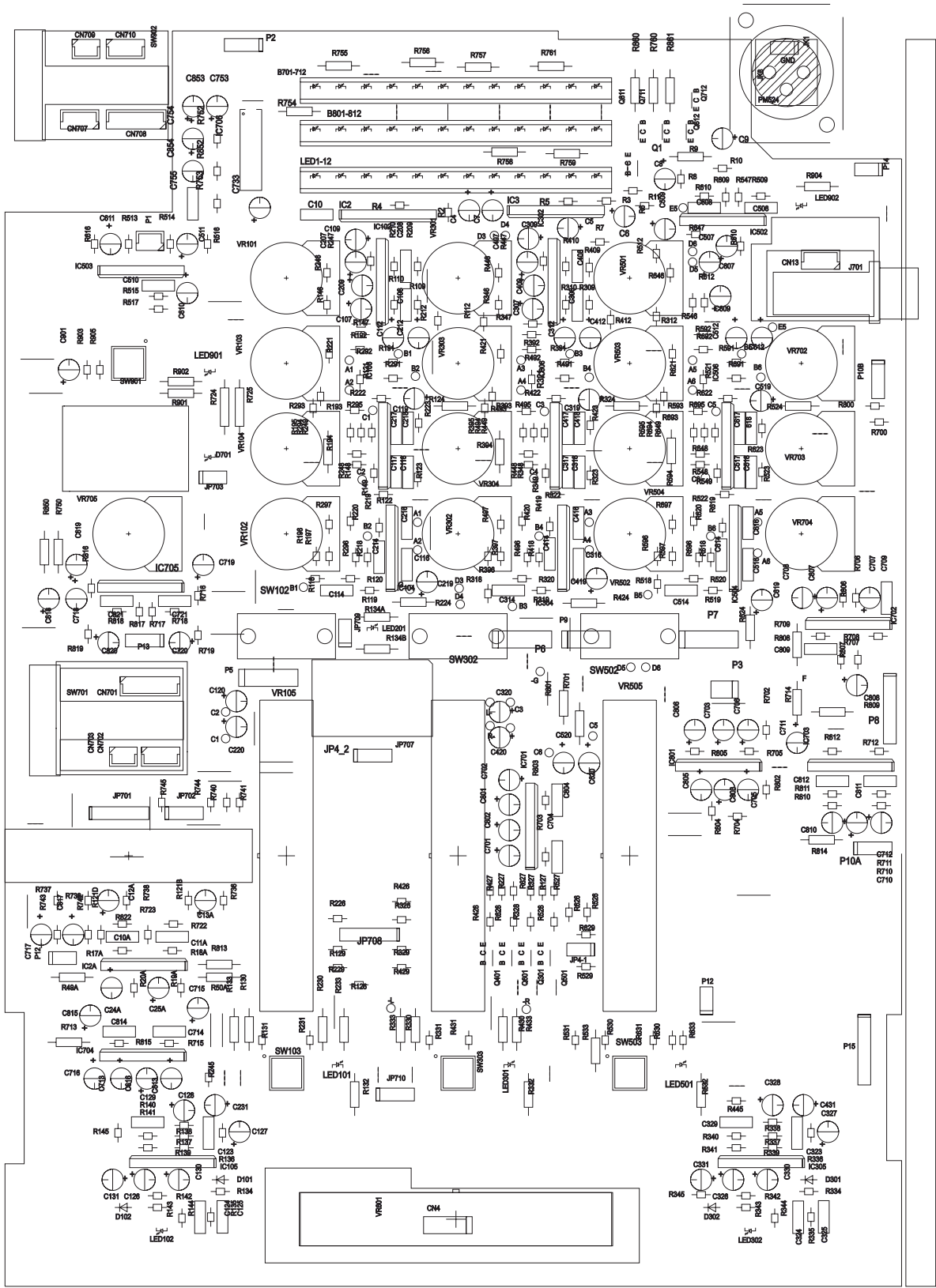


SYSTEM BLOCK DIAGRAM

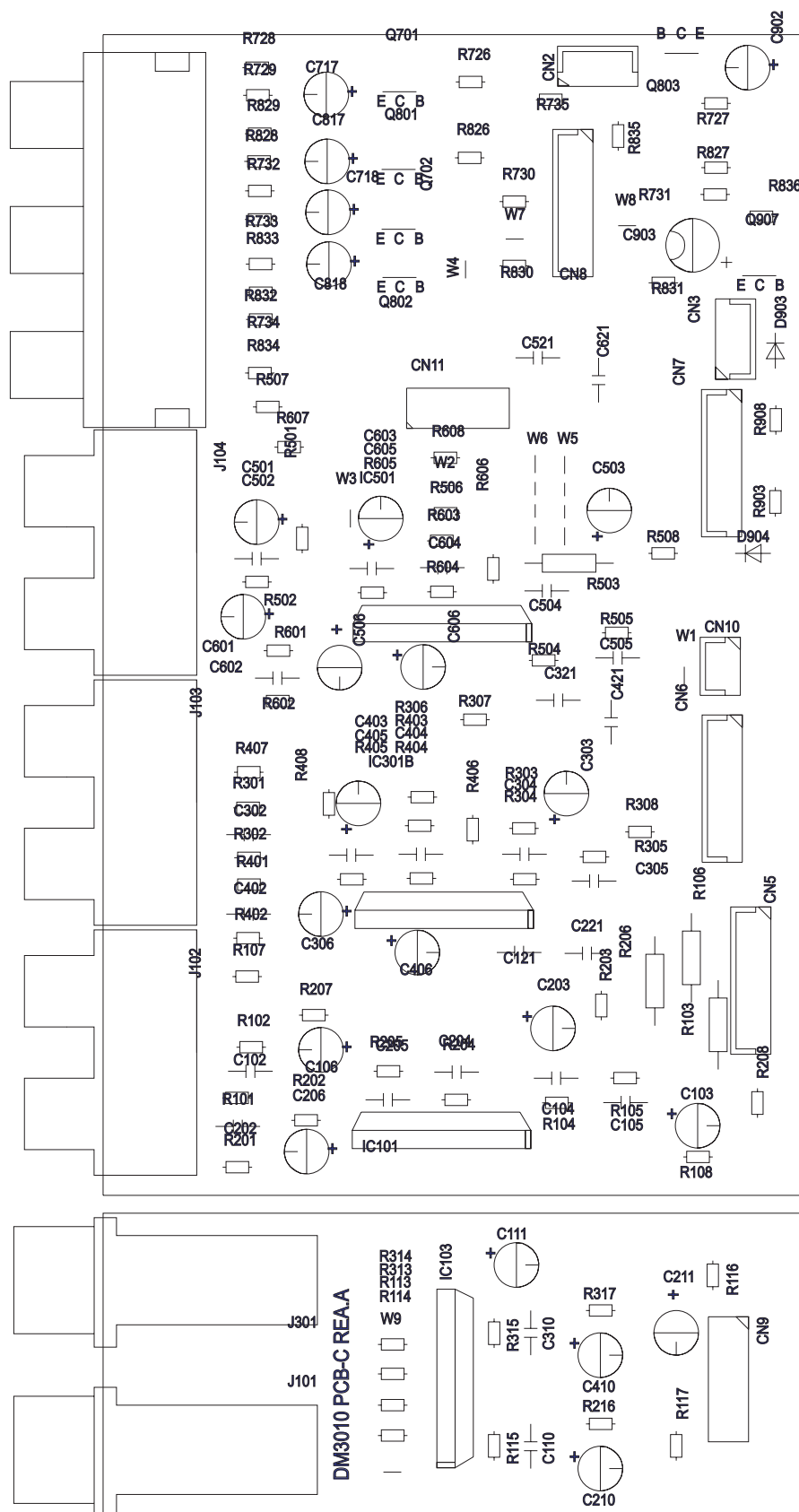




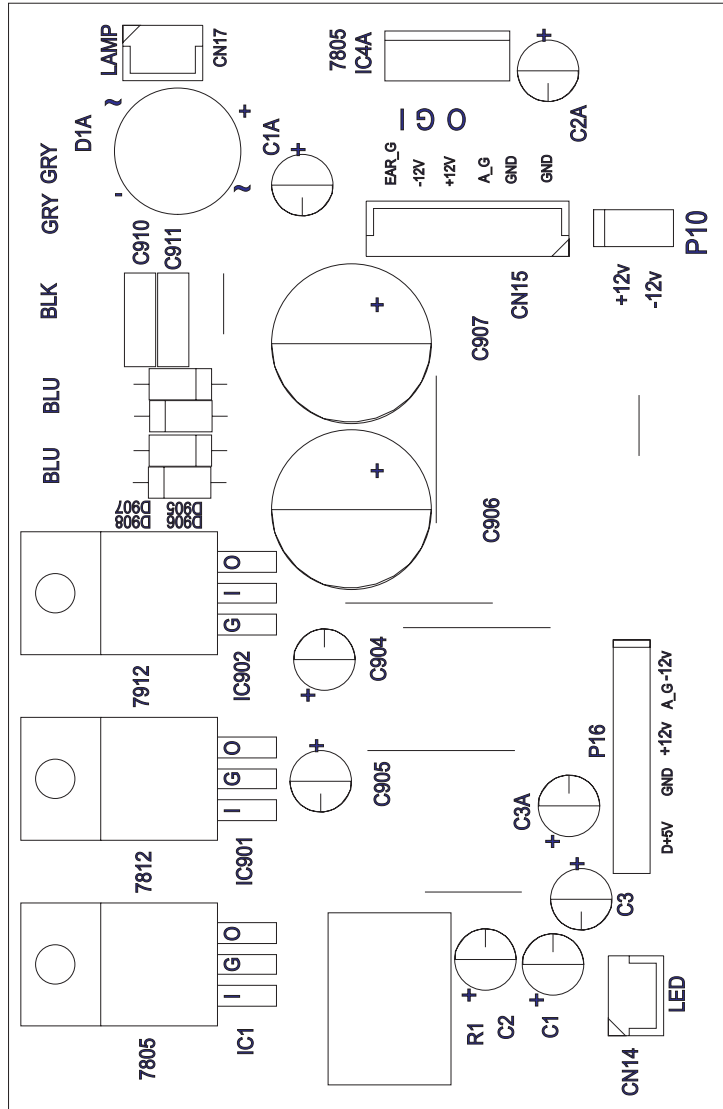
MASTER PCB



OUTPUT PCB



POWER PCB

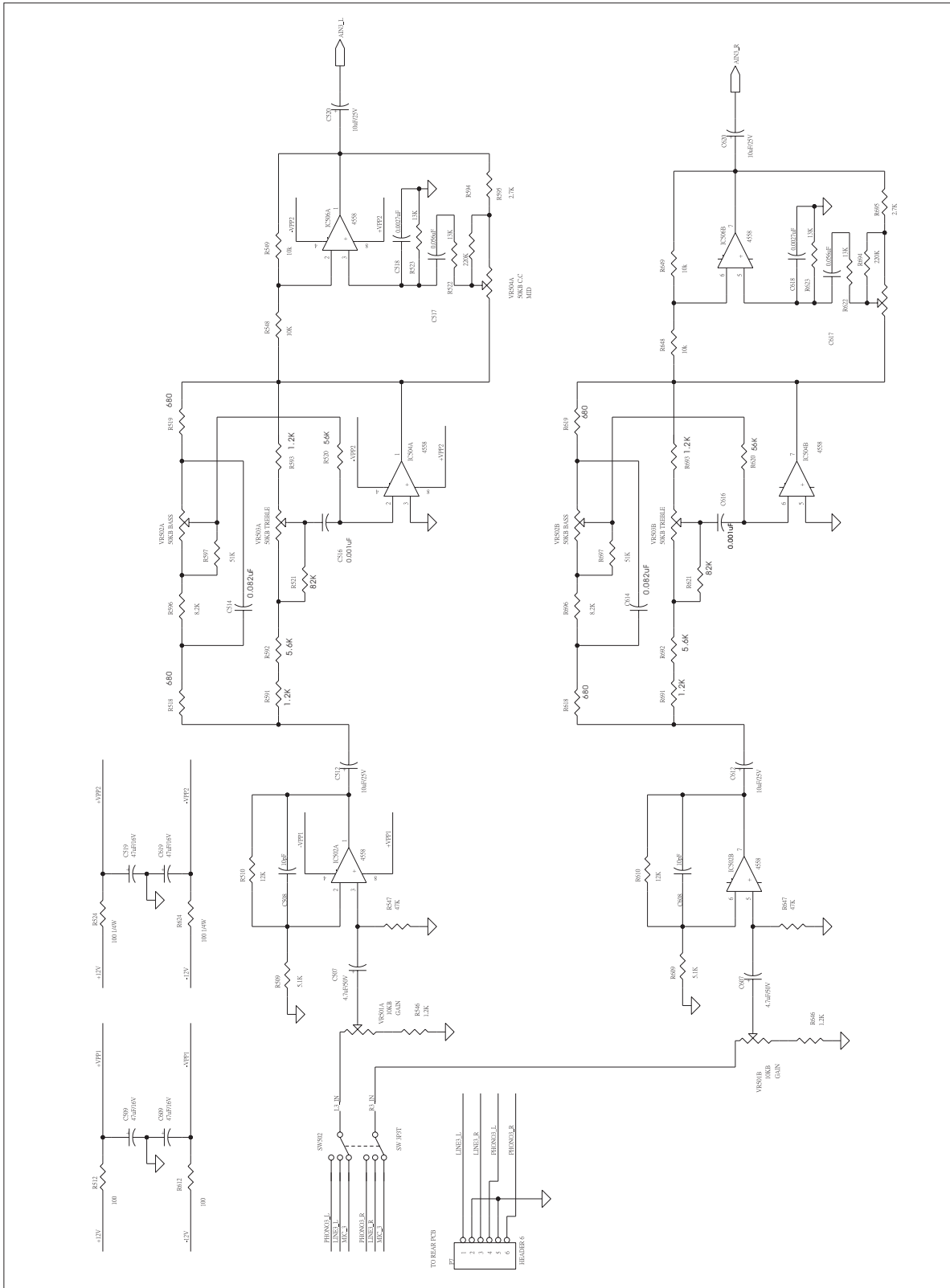




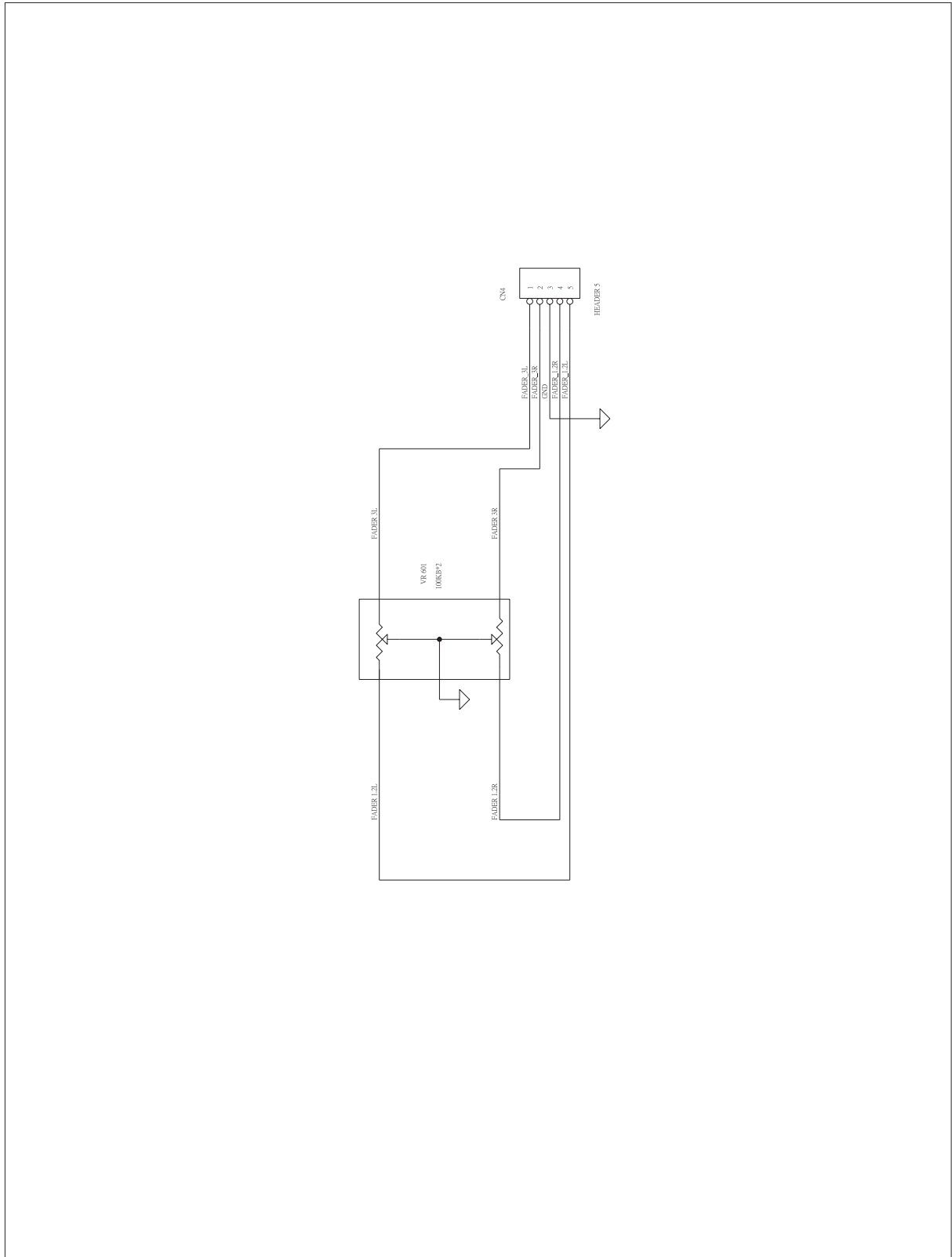




CH\_3 TONE SCHEMATIC



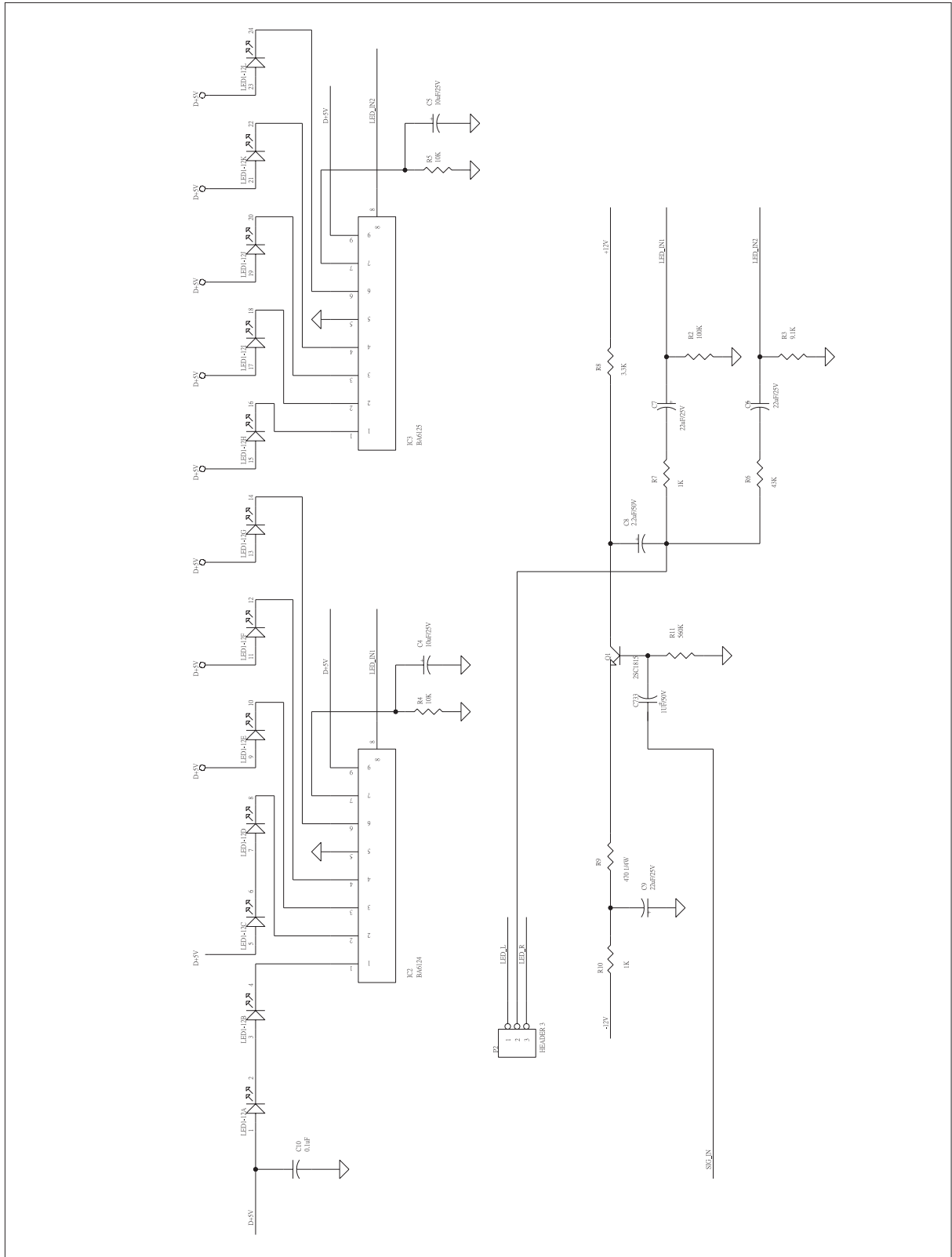
CROSSFADER SCHEMATIC



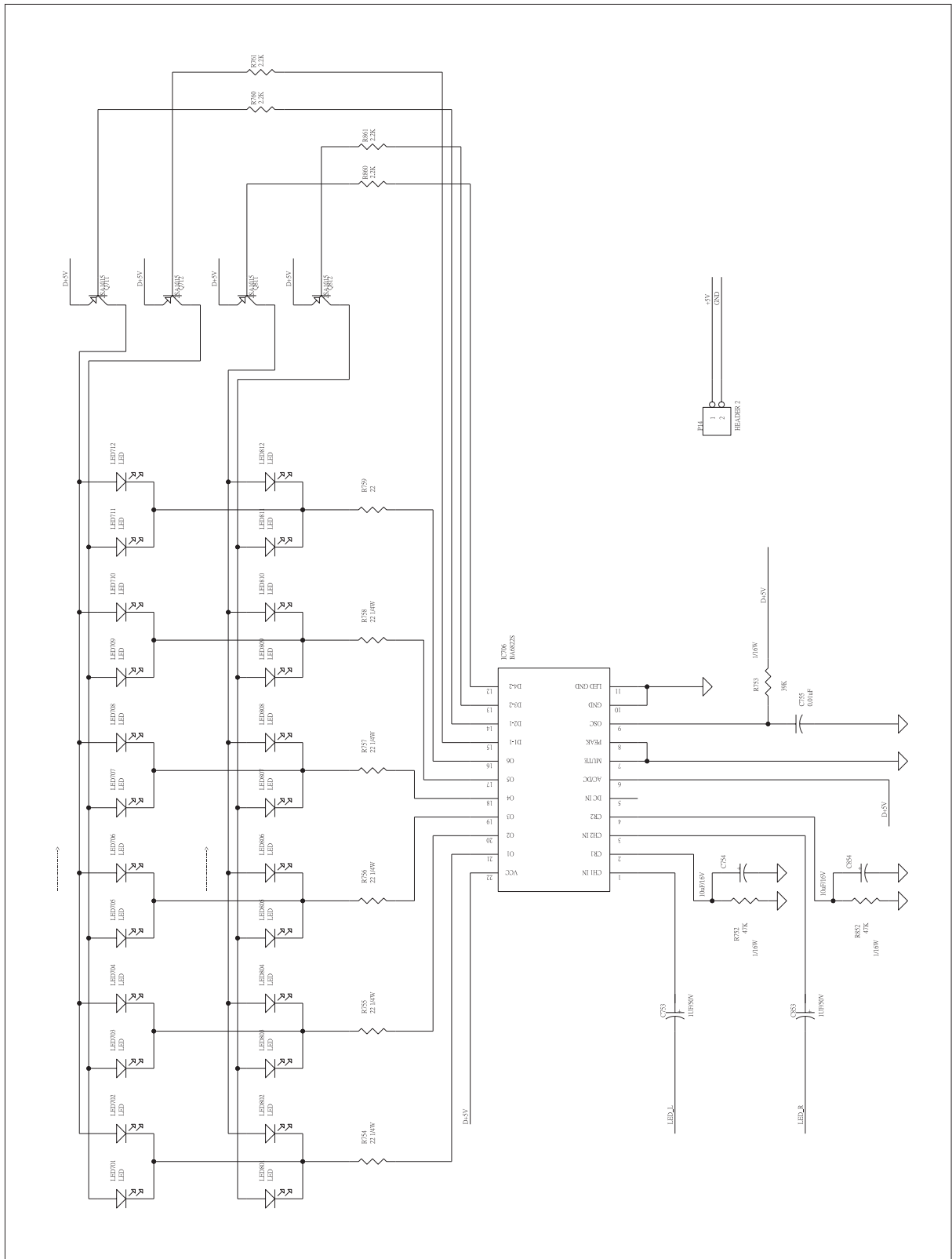




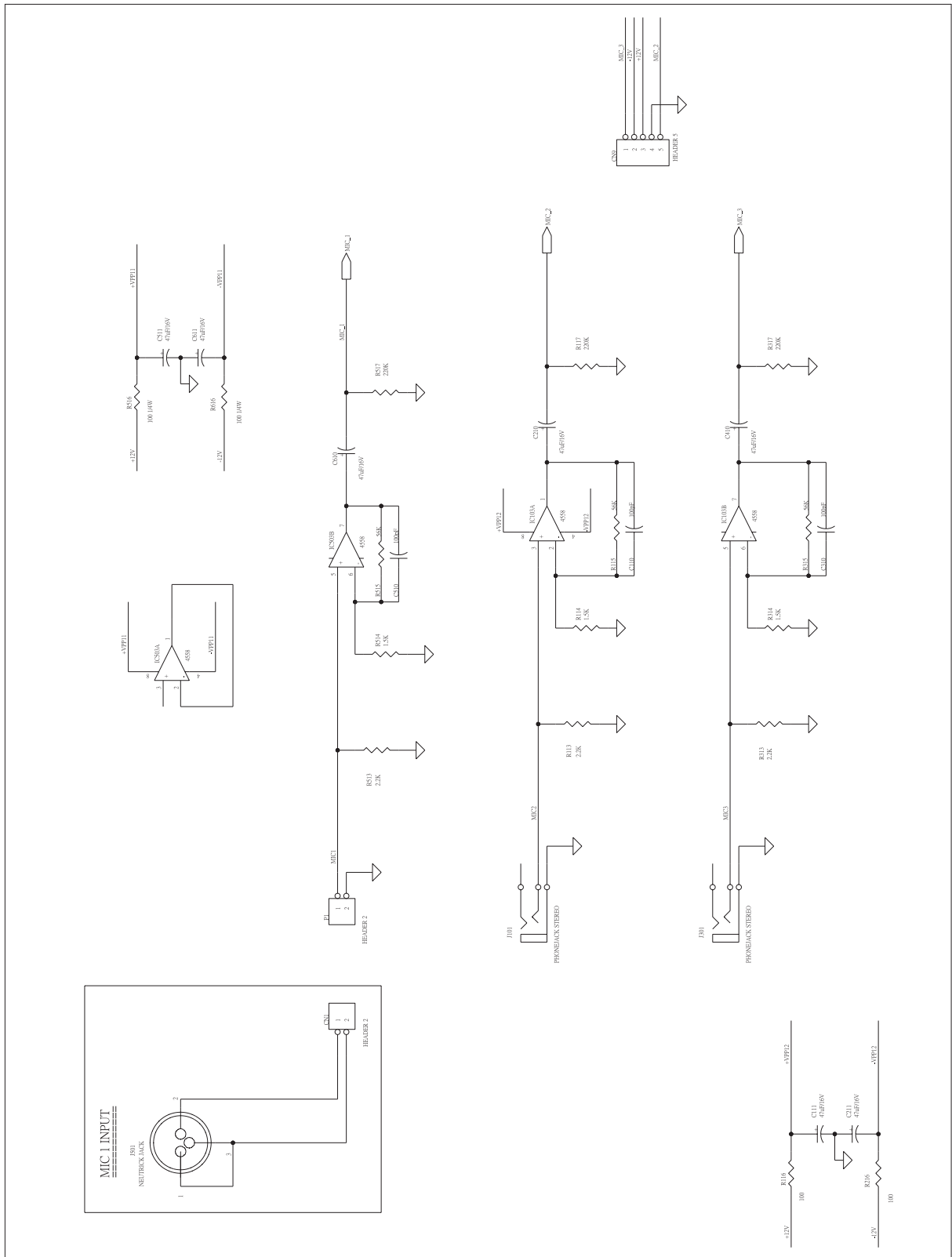
CUE DISPLAY SCHEMATIC



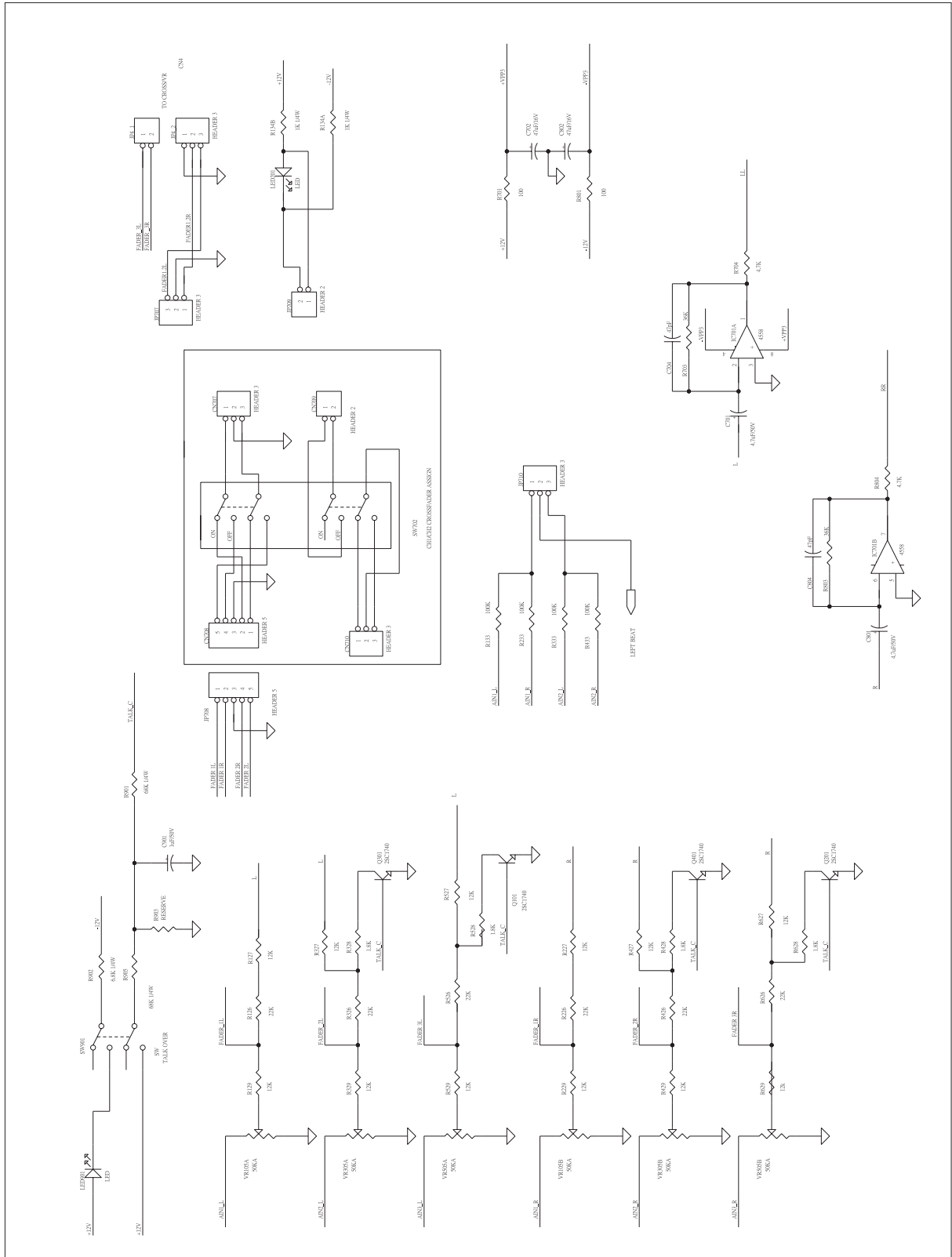
L\_R DISPLAY SCHEMATIC



MIC INPUT SCHEMATIC



MIX SCHEMATIC



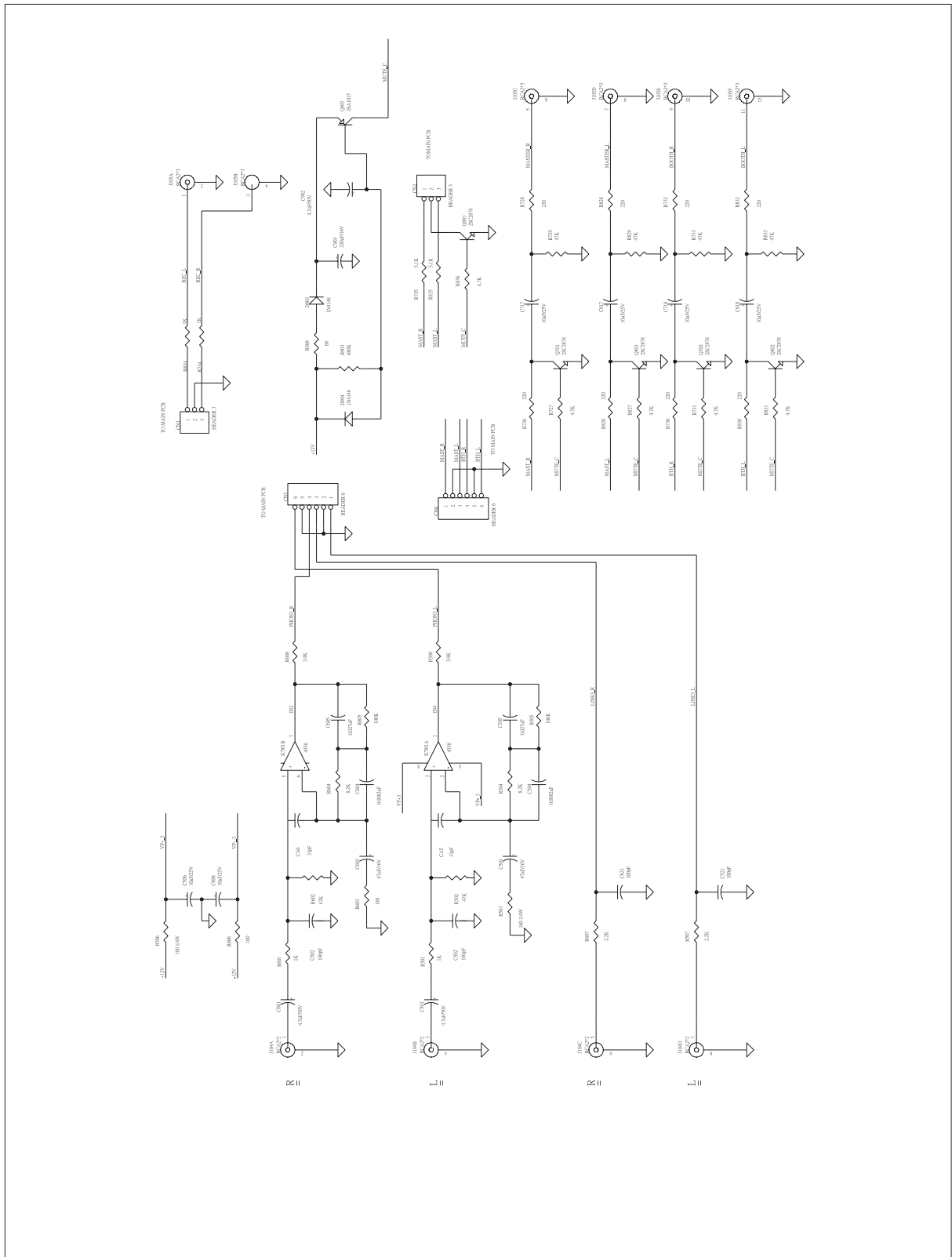








CH\_3 INPUT & OUTPUT SCHEMATIC



## MAIN PCB-PART LIST

Ref.	Phonic No.	Specificatin
R134A.B.724.725	000-10236-400-0	CF RES 1K J 0.5W T
R710	000-10406-400-0	CF RES. 100K J 1/8W T
R712	000-18206-400-0	CF RES. 1K8 J 1/8W T
R194.394.594	000-22406-400-0	CF RES. 220K J 1/8W T
R708	000-75206-400-0	CF RES. 7K5 J 1/8W T
R711	000-91106-400-0	CF RES 910 J 1/8 W T
VR101.301.501	023-10330-023-6	D.ROT/VR 10KB 20MMP
VR102.103.104.302.303.304.5 02.503.504.703	023-50330-062-6	D.ROT/VR 50KB 20MMP C.C
VR702.704.705	023-50330-072-6	D.ROT/VR 50KA 20MMP
VR701	027-50324-000-6	D.SLD/VR 50KB 30mm P
VR105.305.505	027-50335-000-6	D.SLD/VR 15A50K*2 45mm P
C710	035-47556-0A0-0	MINI E/C 4.7MF M 50V T
C129.329	040-22426-100-0	ML/C 0.22MF M 50V P5 T
C712	042-39024-050-0	C/C2 39PF J 50V 5 T
C 709	042-47025-050-0	C/C2 47PF K 50V 5 T
D101.102.301.302	090-02000-020-0	DIODE 1N4148 T
LED101.201.301.501.701.901	100-00010-030-1	LED SE 3011 RED 3MM (HIGH LIGHT)
LED102.302	100-00050-110-0	LED EL204GT GREEN 3D HIGH LIGHT
LED902	100-00070-040-6	LED BLUE D3 BODY WHITE
LED1-12.LED-801-12.LED701- 12	100-01112-010-0	LED BAR LA10B/3H+2Y+7G
IC2	160-00014-600-0	IC AN6884 PANA SONIC
IC105.305. 703.701.801. 704. 503. 102. 104. 302. 304. 702. 504. 502. 106. 306. 506. 2A	160-00017-900-0	IC NJM4558LD JRC
IC705	160-00018-000-0	IC NJM4556AL JRC
IC3	160-00018-100-0	IC BA6125
IC706	160-00018-200-0	IC BA6822S
SW103.303.503.901	210-02201-220-0	PSH/SW SPEC12HC01-PJ
SW701.702	210-02401-000-6	PUSH/SW PS-9C2-042-18A
SW102.302.502	210-04203-020-6	LEVEL/SW TS-23EOI-CB18(T)
	211-01602-440-0	6D3 PHONE JACK RHJ-23-S DM3010
JK8	211-03300-160-6	XLR/J SKCA229-1K3F2

## MAIN PCB-PART LIST

Ref.	Phonic No.	Specificatin
CN703.709	211-10021-161-0	2P WAFER/S TJC3-2A P=2.5MM 180 DEGREE
CN1	211-10021-190-0	2P WAFER/S A2501WR2-2P 90 DEGREE P=2.5MM
CN13.702.707	211-10031-171-0	3P WAFER/S TJC3-3A PH=2.5MM 180 DEGREE
CN708.701	211-10051-151-0	5P WAFER/S TJC3-5A PH=2.5MM 180 DEGREE
P14	212-10021-020-6	2P WAFER/P 300MM UL1007#24 P=2.5MM
J P1.JP703	212-10021-040-6	2P WAFER/P 80MM UL1007#24 P=2.5MM
JP709	212-10023-030-0	2P WAFER/P 110MM (PITCH=2.5MM.TIP5MM)
P13	212-10031-020-6	3P WAFER/P 100MM UL1007#24 PH=2.5MM
JP707	212-10032-210-0	3P WAFER/P 70MM UL1007#24 PITCH=2.5MM
P2.P3	212-10032-250-0	3P WAFER/P 170MM BLK (UL2468 #26)
JP702.710	212-10032-360-0	3P WAFER/P 130MM
JP4-1.JP4-2	212-10051-070-6	5P WAFER/P 3PIN+2PIN UL1007 #24 160MM
P9	212-10051-140-0	5P WAFER/P 140MM BLK (UL2468 #26)
JP708	212-10051-150-0	5P WAFER/P 110MM BLK (UL1007#24
JP701	212-10051-190-0	5P WAFER/P 150MM (PITCH=2.5MM)
P5.6.7.15	212-10061-190-0	6P WAFER/P 180MM BLK (UL2468 #26)
P8	212-10061-200-0	6P WAFER/P 290MM BLK (UL2468 #26)
	321-00000-070-0	CABLE TIE HW-100MM
C3	379-01101-110-0	M.WIRE UL1007 #26 100MM BWN
C6	379-01101-160-0	M.WIRE UL1007 #26 100MM

**MAIN PCB-PART LIST**

<b>Ref.</b>	<b>Phonic No.</b>	<b>Specificatin</b>
C5	379-01121-130-0	M.WIRE UL1007 #26 120MM ONG
C1.L-L	379-01121-141-0	M.WIRE UL1007 #26 120MM YLW
D3	379-01141-101-0	M. WIRE UL 1007#26 140MM BLK
D4	379-01141-120-0	M.WIRE UL1007 #26 140MM RED
B2.4.6.E5-E5	379-01600-181-0	M.WIRE UL1007 #26 60MM GRY
A1.3.5	379-01700-100-0	M.WIRE UL1007 #26 70MM BLK
A2.4.6	379-01700-110-0	M.WIRE UL1007 #26 70MM BWN
B1.3.5.C4.R-R	379-01900-130-0	M.WIRE UL1007 #26 90MM ONG
C2	379-01900-197-0	M.WIRE UL1007 #26 90MM WHT
	379-02600-110-0	M.WIRE UL1007 #24 60MM BRN
	382-20005-010-0	TINNER WIRE 5.0MM D0.6
	382-20010-010-0	TINNER WIRE 10MM D0.6
D5.6	385-02140-310-0	2P M.RIBBON WIRE 2468#26 BLK: 140MM
P12	385-02191-220-0	2P M.RIBBON WIRE 190MM
P10A-P10B	385-03140-200-0	3P M.RIBBON WIRE 2468#26 BLK 140MM
LED902	610-00300-516-0	FIBER WAS. D3*D8*0.5 RED
LED BAR*6	615-10080-620-0	LED BOSS L=7.5 ( LED-7.5)
FOR LED	615-60021-620-0	LED BOSS L=16 LED-16
R112.212.312.412.512.612.70 2.802.516.616	000-10106-400-0	CF RES. 100 J 1/8W T
R124.224.324.424.624.801.71 3.813.814.850.809.709.49A.50 A.701.714.750.524	000-10126-400-0	CF RES. 100 J 0.25W T
R10	000-10206-400-0	CF RES. 1K J 1/8W T

**MAIN PCB-PART LIST**

<b>Ref.</b>	<b>Phonic No.</b>	<b>Specificatin</b>
R5.4.136.336.148.248.348.448 .548.648.14.249.349.449.549. 649.736.737.19A.20A 9	000-10306-400-0	CF RES. 10K J 1/8W T
R738-741.R744.745	000-10306-400-1	
R633.706.806.810.722.822.81 6.716	000-10406-400-0	CF RES. 100K J 1/8W T
R133.233.333.433.533	000-10426-400-0	CF RES. 100K J 0.25W T
R144.344	000-10606-400-0	CF RES 10M J 1/8W T
R146.246.346.446.546.646.19 1.291.391.491.591.691.193.29 3.393.493.593.693	000-12206-400-0	CF RES. 1K2 J 1/8W T
R329.127.227.327.427.429.12 9.229.529.52.627.629.110.210. 310.410.510.610.718.8187	000-12306-400-0	CF RES. 12K J 1/8W T
R723	000-12306-400-1	
R122.222.322.422.522.622.12 3.223.323.42.523.6233	000-13306-400-0	CF RES. 13K J 1/8W T
R514	000-15206-400-0	CF RES. 1K5 J 1/8W T
R328.812.142.342.428.528.62 8	000-18206-400-0	CF RES. 1K8 J 1/8W T
R815.715	000-18306-400-0	CF RES. 18K J 1/8W T
R754-759	000-22026-400-0	CF RES. 22 J 0.25W T
R513	000-22206-400-0	CF RES. 2K2 J 1/8W T
R761.861.760.860.	000-22226-400-0	F RES. 2K2 J 0.25W T
R226.426.126.326.526.626	000-22306-400-0	CF RES. 22K J 1/8W T
R517.294.494.694	000-22406-400-0	CF RES. 220K J 1/8W T
R141.140.340.341	000-22506-400-0	CF RES. 2M2 J 1/8W T
R707.807	000-24206-400-0	CF RES 2K4 J 1/8W T
R195.295.395.495.595.695	000-27206-400-0	CF RES. 2K7 J 1/8W T
R145.245.345.445	000-33106-400-0	CF RES. 330 J 1/8W T
R8	000-33206-400-0	CF RES. 3K3 J 1/8W T
R132.332.532.	000-33226-400-0	CF RES. 3K3 J 0.25W T
R703.803	000-36306-400-0	CF RES. 36K J 1/8W T
R719.819	000-39006-400-0	CF RES. 39 J 1/8W T
R753	000-39306-400-0	CF RES. 39K J 1/8W T
R17A.18A	000-43306-400-0	CF RES. 43K J 1/8W T
R9	000-47126-400-0	CF RES. 470 J 0.25W T

MAIN PCB-PART LIST

Ref.	Phonic No.	Specificatin
R700.800.705.805.704.804	000-47206-400-0	CF RES. 4.7K J 1/8W T
R	000-47306-400-0	CF RES. 47K J 1/8W T
752.852.138.137.338.337.147. 247.347.44.547.647.R742.743. 121B.121D 7		
R717.817	000-51106-400-0	CF RES. 510 J 1/8W T
R109.209.309.409.509.609	000-51206-400-0	CF RES. 5K1 J 1/8W T
R131.331.231.530.630.631.43 1.197.297.39.497.597.697.531 7	000-51306-400-0	CF RES. 51K J 1/8W T
R130.330.430.230	000-51326-400-0	CF RES. 51K J 0.25W T
R134.139.339.334	000-51506-400-0	CF RES. 5M1 J 1/8W T
R904	000-56126-400-0	CF RES. 560 J 0.25W T
R192.292.392.492.592.692	000-56206-400-0	CF RES. 5K6 J 1/8W T
R120.220.320.420.520.620.13 5.335.515	000-56306-400-0	CF RES.56K J 1/8W T
R11	000-56406-400-0	CF RES. 560K J 1/8W T
R118.119.218.219.318.319.41 8.419.518.51.618.6199	000-68106-400-0	CF RES. 680 J 1/8W T
R902	000-68226-400-0	CF RES. 6K8 J 0.25W T
R905	000-68306-400-0	CF RES. 68K J 1/8W T
R901	000-68326-400-0	CF RES. 68K J 0.25W T
R808	000-75206-400-0	CF RES. 7K5 J 1/8W T
R196.296.396.496.596.696	000-82206-400-0	CF RES. 8K2 J 1/8W T
R121.221.321.421.521.621	000-82306-400-0	CF RES. 82K J 1/8W T
R143.343	000-82406-400-0	CF RES. 820K J 1/8W T
R811	000-91106-400-0	CF RES 910 J 1/8 W T
R7	006-10010-440-0	MF RES.1KF 1/8W T
R6	006-43020-440-0	MF RES.43K 1/8W T
R2	006-62010-440-0	MF RES. 6.2K F 1/8W T
R3	006-91010-440-0	MF RES. 9K1F 1/8W T
C120.220.320.420.520.620.11 2.312.512.713.813.717.817.12 A.13A	030-10638-0A0-0	E/C 10MF Z 25V 5*11 T
C107.207.307.407.701.801	030-47558-0A0-0	E/C 4.7MF Z 50V 5*11 T
C109.209.309.409.716.816.70 2.802.	030-47626-0A0-0	E/C 47MF M 16V 5*11 T

**MAIN PCB-PART LIST**

Ref.	Phonic No.	Specificatin
C24A.25A	030-47638-0A0-0	E/C 47MF Z 25V 6.3*11 T
C127.719.733.128.328.819.85 3.753.327.901	035-10556-0A0-0	MINI E/C 1MF M 50V T
C4.5.130.330.212.412.612.754 .854	035-10636-0A0-0	MINI E/C 10MF M 25V T
C131.331.231.431.720.820	035-10728-0A0-0	MINI E/C 100MF Z 16V T
C8	035-22556-0A0-0	MINI E/C 2.2MF M 50V T
C715.705.706.805.806.9.815	035-22636-0A0-0	MINI E/C 22MF M 25V T
C6-7	035-22656-0A0-0	MINI E/C 22MF 50V 5*7 T
C126.326.	035-47456-0A0-0	MINI E/C 0.47MF 50V 5*7 T
C607.807.707.810.507	035-47556-0A0-0	MINI E/C 4.7MF M 50V T
C708.711.718.818.811.808.50 9.511.611.61.703.803.609.119. 219.319.419.519.6190	035-47626-0A0-0	MINI E/C 47MF M 16V 5*7 T
C108.208.308.408.508.608.	042-10020-050-0	C/C2 10PF C 50V T
C510.	042-10125-050-0	C/C2 100PF K 50V 5 T
C755	042-10325-050-0	C/C2 0.01MF K 50V T
C10	042-10425-050-0	C/C2 0.1MF K 50V 5 T
C721.714.814.821.10A.11A	042-33025-050-0	C/C2 33PF K 50V 5 T
C812	042-39024-050-0	C/C2 39PF J 50V 5 T
C704.804.809	042-47025-050-0	C/C2 47PF K 50V 5 T
C116.216.316.416.516.616	046-10204-060-0	M/C 0.001MF J 50V 5 T
C123.323	046-10304-060-0	M/C 0.01MF J 50V 5 T
C118.218.318.418.518.618	046-27204-060-0	M/C 0.0027MF J 50V 5 T
C117.217.317.417.517.617	046-56304-060-0	M/C 0.056MF J 50V T
C124.125.324.325.	046-68204-060-0	M/C 0.0068MF J 50V 5 T
C114.214.314.414.514.614	046-82304-060-0	M/C 0.082MF J 50V 5 T
Q1	120-00000-800-0	TRAN. 2SC1815 GR TOSHIBA
Q301.401.501.601.	120-00004-600-0	TRAN. 2SC1740 LN-R ROHM (2SC1313G)
Q711.811.712.812.	121-00000-200-0	TRAN. 2SA1015 GR TOSHIBA
	290-60300-000-0	MX300 A PCB
	382-20005-010-0	TINNER WIRE 5.0MM D0.6
	382-20007-510-0	TINNER WIRE 7.5MM D0.6
	382-20010-010-0	TINNER WIRE 10MM D0.6

**MAIN PCB-PART LIST**

<b>Ref.</b>	<b>Phonic No.</b>	<b>Specificatin</b>
PM524 CROSSFADER PCB M/I		
VR601	027-10435-063-6	D.SLD/VR 100KB 45MM P
	211-10051-160-0	5P WAFER/S 90 DEGREE
		TJC3-5AW PH=2.5MM
	290-60524-000-0	524 CROSSFADER PCB



**INPUT PCB PART LIST**

Ref.	Phonic No.	Specificatin
IC101.301.501	042-33025-050-0	C/C2 33PF K 50V 5 T
J102.103.104.	211-00041-060-0	RCA/JACK RJ-1018-010-0 (WHITE/RED)
J105	211-00061-010-0	6P RCA/J RJ-1074-09-0300A (WHITE/RED)
J101.301	211-01602-440-0	6D3 PHONE JACK RHJ-23-S DM3010
CN10	211-10021-161-0	2P WAFER/S TJC3-2A P=2.5MM 180 DEGREE
CN2.3	211-10031-171-0	3P WAFER/S TJC3-3A PH=2.5MM 180 DEGREE
CN9	211-10051-151-0	5P WAFER/S TJC3-5A PH=2.5MM 180 DEGREE
CN5-8	211-10061-180-0	6P WAFER/S A2501WV2-6P 180 DEGREE
R306.406.506.606.116.216	000-10106-400-0	CF RES. 100 J 1/8W T
R106.206.	000-10126-400-0	CF RES. 100 J 0.25W T
R101.201.301.401.501.601.73 4.834	000-10206-400-0	CF RES. 1K J 1/8W T
R105.205.305.405.505.605	000-10406-400-0	CF RES. 100K J 1/8W T
R114.314	000-15206-400-0	CF RES. 1K5 J 1/8W T
R726.826.730.830.728.828.73 2.832	000-22106-400-0	CF RES. 220 J 1/8W T
R107.207.307.407.507.607.11 3.313	000-22206-400-0	CF RES. 2K2 J 1/8W T
R117.317	000-22406-400-0	CF RES. 220K J 1/8W T
R203.303.403.603	000-24106-400-0	CF RES 240 J 1/8W T
R103.503	000-24126-400-0	CF RES. 240 J 0.25W T
R108.208.308.408.508.608	000-39206-400-0	CF RES 3K9 J 1/8W T
R831.836.731.827.727	000-47206-400-0	CF RES 4.7K J 1/8W T
R102.202.302.402.502.602.73 3.833.729.829	000-47306-400-0	CF RES. 47K J 1/8W T
R 835.735	000-51206-400-0	CF RES. 5K1 J 1/8W T
R115.315	000-56306-400-0	CF RES.56K J 1/8W T
R908	000-68006-400-0	CF RES. 68 J 1/8W T
R903	000-68406-400-0	CF RES. 680K J 1/8W T
R 104.204.504.604.304.404	000-82206-400-0	CF RES. 8K2 J 1/8W T

**INPUT PCB PART LIST**

<b>Ref.</b>	<b>Phonic No.</b>	<b>Specificatin</b>
C106.206.306.406.506.606.71 7.718.817.818	030-10638-0A0-0	E/C 10MF Z 25V 5*11 T
C903	030-22728-0A0-0	E/C 220MF Z 16V 8*11 T
C501.601.902	030-47558-0A0-0	E/C 4.7MF Z 50V 5*11 T
C103.203.303.403.503.603.11 1.210.211.410	030-47626-0A0-0	E/C 47MF M 16V 5*11 T
C102.202.302.402.502.602.12 1.221.321.421.521.621.110.31 0	042-10125-050-0	C/C2 100PF K 50V 5 T
C105.205.305.405.505.605.	046-27305-060-0	M/C 0.027UF K 50V T
C104.204.304.404.504.604. D903.904	046-82204-060-0	M/C 0.0082 MF J 50V 5 T
Q701.702.801.802.803	090-02000-020-0	DIODE 1N4148 T
Q907	120-00006-200-0	TRAN. 2SC2878 TOSHIBA
	121-00000-200-0	TRAN. 2SA1015 GR TOSHIBA
IC103.101.301.501	160-00017-900-0	IC NJM4558LD JRC
	290-20000-200-0	PCB DM3010 B.C
W1-W4.W7.8	382-20005-010-0	TINNER WIRE 5.0MM D0.6
W56	382-20010-010-0	TINNER WIRE 10MM D0.6

**POWER PCB PART LIST**

Ref.	Phonic No.	Specificatin
IC901	160-00001-219-1	IC LM7812
IC902	160-00001-331-0	IC LM7912
IC1	160-00004-114-0	IC UPC7805H NEC (KIA)
P10	212-10021-050-6	2P WAFER/P 160MM UL1007#24 P=2.5MM
	382-20007-510-0	TINNER WIRE 7.5MM D0.6
	382-20010-010-0	TINNER WIRE 10MM D0.6
	382-20015-010-0	TINNER WIRE 15MM D0.6
IC7805*1.IC7812*1.IC7912*1	526-20001-110-0	HEAT SINK BLK 19*13*12 L=19MM
IC7805*1.7812*1.712*1	590-53008-200-0	M/E SET SCR. M3.0*8 D=6 BLK
IC7805*1.IC7812*1.IC7912*1	600-00302-210-0	HEX. NUT M3.0*2.2 NI
IC7805*1.7812*1.712*1	610-60300-501-0	PAN SPR. WAS D3.0*D7*0.5 NI
R1	003-20073-602-0	CEMENT RES. 20 J 5W SQM
C906.907	030-10848-002-0	E/C 1000MF Z 35V 18*20 P
C904.C905	030-47558-0A0-0	E/C 4.7MF Z 50V 5*11 T
C3	030-47628-0A0-0	E/C 47MF Z 16V 5*11 T
C1.C2	030-47638-0A0-0	E/C 47MF Z 25V 6.3*11 T
C910.C911	042-10346-050-0	C/C2 0.01MF M 100V T 5
D905.906.907.908	090-00007-020-0	DIODE IN4004 SILTEK T
CN14 CN17	211-10021-161-0	2P WAFER/S TJC3-2A P=2.5MM 180 DEGREE
	211-10061-180-0	6P WAFER/S A2501WV2-6P 180 DEGREE
	290-30250-400-0	PCB DM3025 POWER-D+E1-E6

**MISCELLANEOUS ITEMS**

<b>Ref.</b>	<b>Phonic No.</b>	<b>Specificatin</b>	
POWER SW	058-47236-001-0	LINE/C 0.0047MF M 400V	
	070-20318-001-0	X'MER 120/230V TT048970116C	
POWER SELECT SW	210-01102-030-0	SLD/SW EV-12-31B-6Y	
POWER SW	210-02101-010-0	P/SW KDC-A04-10BA2-G	
	211-04000-010-0	BNC/J SVP-516D	
FOR AC SOCKET	211-12200-000-6	AC/S SC-12-2	
FOR PHONO RCA JACK	212-00000-000-6	RCA PLUG 1P	
BNC TO CN17	212-10022-700-0	2P WAFER/P 150MM	
	281-04000-000-0	FUSE HOLDER FH-B02 EDK	
	313-00030-000-6	WASHER TW-10N	
FOR GND	315-00005-000-0	LUG 6D	
	321-00000-070-0	CABLE TIE HW-100MM	
	379-02151-101-0	M.WIRE UL1007 #24 150MM BLK	
		M.WIRE UL1015 #18 100MM BLK	
AC SOCKET TO SELECT SW	379-10101-101-0	M.WIRE UL1617#18 100MM RED	
AC SOCKET TO POWER SW TO FUSE HOLDER	510-60310-511-0	PANEL MX300 AL 2.0 PRINT COLOR:BLK	
	511-60010-400-0	BACK PANEL MX300 BLK+WHT	
	512-60015-510-0	CROSSFADER PANEL AL PRINT COLOR:BLK	
	517-60710-100-0	BOT. COV MX303	
	524-60009-020-0	HANDLE SIZE: 10*50 COLOR:WHT	
	525-60011-000-0	FEET SIZE:D20*D15*H10.5 NF-008	
	529-60005-001-0	LENS 104*42*3 BLK GROUND+WHT TEXT	
	540-60090-020-0	R/KNOB BLK BODY+BLK CAP+WHITE POINT	
	CHANNEL FADER*3 CROSS FADER*1	541-20080-120-0	S/KNOB 20*10*13H BLK BODY+WHT LINE
	CUE-PGM VR	541-20160-120-0	S/KNOB 8*10*5

**MISCELLANEOUS ITEMS**

<b>Ref.</b>	<b>Phonic No.</b>	<b>Specificatin</b>
CUE TALKOVER CUE SPLITSW CH1/2 SW	542-60100-120-0	P/KNOB BLK 7.5*7.5*9.5INNER DIMENSION 3.3*3.3
	542-60300-020-0	P/KNOB BLK BODY+WHT TEXT
FOR CHANNEL FADER	543-20120-120-0	S/KNOB BUSH 64*10*3.5H BLK(BUSHING 45MM)
FOR CROSS FADER	543-20130-120-0	S/KNOB BUSH 73*12*6.5H BLK(BUSHING 45MM)
FOR CUE TALKOVER CUE SPLIT SW CH1/CH2 SE L ECT SW	543-20140-120-0	P/KNOB BUSH INNER DIMENSION 8.1*8.1*4.5 BLK
	543-60080-020-0	P/KNOB PUSH BLK
	550-60015-001-0	CHASSIS MX300/303 SECC 1.0
	551-60080-000-0	POWER SW BRKT SECC 1.0T
	560-60036-100-0	CARTON MX300 679*333*422MM A=B
	561-60032-300-0	G/B 320*161*402 MX300 300g
	565-20041-030-0	LF POLYLON 390*155*55 DM3010
	565-20042-030-0	RT POLYLON 390*155*55 DM3010
FOR REAR PCB	566-10013-000-0	SPONGE 150*10*5MM
OWN MANU	568-00003-000-0	PE BAG #10 240*340*0.05
	568-10057-000-0	PE BAG 500*450*0.05
POWER CORD	568-30011-000-0	PE BAG 300*110*0.05
	572-00000-050-0	DRYER 5g
	573-10063-012-0	M.I.C LABEL 50*10MM
	573-60240-000-0	BAR CODE LABEL PHONIC SERIES LABEL
	573-60343-000-0	LABEL LEVEL METER LABEL BLUE D=8mm
	574-6A046-012-0	OWN. MAUN. MX300
	579-00000-068-0	MINI CATALOG PHONIC SERIES

**MISCELLANEOUS ITEMS**

<b>Ref.</b>	<b>Phonic No.</b>	<b>Specificatin</b>
FOR XLR/JK*2	590-02606-200-0	M/E FLT SCR 2.6*6 BLK
PANEL TO CHASSIS*6	590-03006-100-0	M/E FLT SCR. M3.0*6 NI
FOR CROSS FADER TO VR*2	590-03012-100-0	M/E FLT SCR. M3*12 NI
	590-42604-100-0	M/E PAN SCR. M2.6*4 NI
POWER SW*2 CUE SW*2	590-43004-200-0	M/E PAN SCR. M3.0*4 BLK
CH1/CH2 SW*2 CUE VR*1		
CHANNEL VR*3		
PCB*10 CHASSIS TO	590-43006-100-0	M/E PAN SCR. M3.0*6 NI
BOSS*10		
FIXED POWER SW BRKT	590-53004-100-0	M/E SET SCR. M3.0*4 NI
POWER SELECT SWITCH*2	590-53006-200-0	M/E SET SCR. M3.0*6 BLK
FOR X'MER*2	590-54012-200-0	M/E SET SCR. M4*12 BLK
BOT COV*6	591-03006-200-0	T/P FLT SCR. M3.0*6 BLK
BOT COV*4.BACK PANEL TO	591-53006-200-0	T/P SET SCR. M3.0*6 BLK
CHASSIS*2		
FOR RCA JACK*5	591-53010-200-0	T/P SET SCR. M3.0*10 BLK
FEET*4	593-20010-001-0	TAPP SCR. M3.0*8 BLK
FOR GND	600-00602-010-0	HEX. NUT M6.0*2.0 NI
FOR ROTARY VR	600-00902-210-6	HEX NUT M9.0*2.0
X'MER	600-00903-210-0	HEX. NUT CU M4*2T
	610-00300-516-0	FIBER WAS. D3*D8*0.5 RED
FOR XMER*2	610-60401-001-0	PAN SPR. WAS. D4*7.6*1.0 NI
FOR GND	615-10001-130-0	EARTH BOSS 2+5 NI
GND	615-10002-130-0	EARTH BOSS 10+5 NI
		(EARTH BOSS)
FOR CUE SWITCH*2 FOR	615-10022-630-0	BOSS 5+5
CH1/CH2 SW*2		
CONNECT WITH PCB AND	615-10064-620-0	HEX BOSS L=12 (M3) H-12
CHASSIS		
FOR POWER BOARD	615-20064-620-0	BOSS LCA35-10 L=10MM
FOR AC SELECT SWITCH	630-20033-410-0	MYLAR INSV 12*45*1MM
FOR MASTER PCB	630-60012-210-0	FIBER SHEET
		SIZE:55*45*0.8MM
	630-60035-410-0	INSULATION 68.5*23*3 T
	630-60036-410-0	MYLAR INSU 40*9*0.2MM
FOR CHANNEL VR*3	631-10025-000-0	HEMELON 20*70
CROSSFADER*1		

**MISCELLANEOUS ITEMS**

<b>Ref.</b>	<b>Phonic No.</b>	<b>Specificatin</b>
FOR PHONO/LINE/MIC SW	631-10034-000-0	HEMELON D5*D26
FOR CUE VR	631-10036-000-0	HEMELON 10*55
	631-20029-000-0	HEMELON 10*10
FOR 12V LAMP	631-20030-000-0	HEMELON D10*D26
	510-60310-511-F	PANEL MX300 AL
	511-60010-000-F	BACK PANEL PM/FX/SX524 MX300/303
	512-60015-510-F	CROSSFADER PANEL MX SERIES
	517-60710-000-F	BOT COV PM/SX/FX/BX524 MX300/303

**POWER REQUIREMENT CLASSIFICATION**

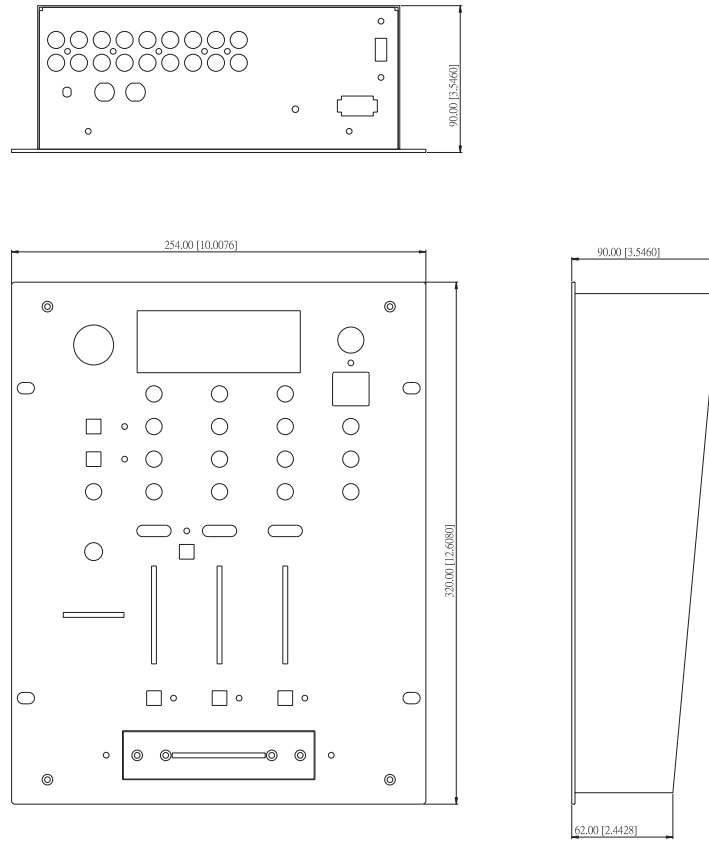
<u>Ref.</u>	<u>Phonic No.</u>	<u>Specificatin</u>
<u>BS</u>	280-50165-000-0	FUSE T500MA 250V SMK S
	370-03310-421-6	P/CORD 230V 3A 6F 2P BS SVT PM-524
<u>IEC</u>	280-5016D-300-0	FUSE 0.5A 250V CE F
	370-03310-321-6	P/CORD VDE 3A 6F.SVT
<u>UL</u>	280-5016D-300-0	FUSE 0.5A 250V CE F
	370-03310-121-6	P/CORD 120V 3A 6F 2P UL SVT PM-524
<u>SA</u>	280-5016D-300-0	FUSE 0.5A 250V CE F
	370-03310-021-6	P/CORD 240V 3A 6F 2P SVT(SA)
<u>SAA</u>	280-50165-000-0	FUSE T500MA 250V SMK S
	370-03310-821-0	P/CORD 240V 3A 6F 2P SAA SVT PM524



**IC LIST**

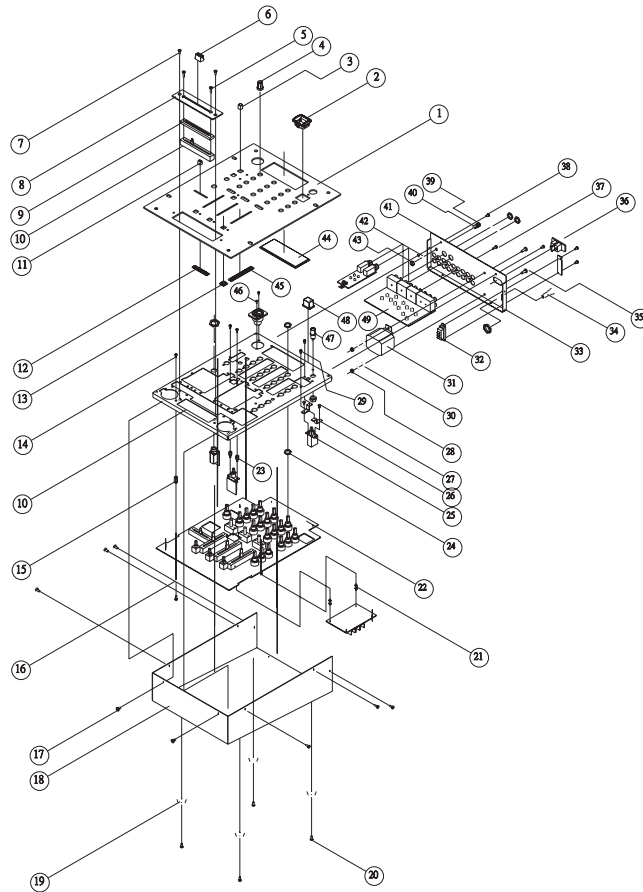
<b>Ref.</b>	<b>Phonic</b>	<b>Specifications</b>	<b>Supplier</b>
IC901	160-00001-219-1	IC LM7812	<a href="http://www.njr.com">http://www.njr.com</a>
IC902	160-00001-331-0	IC LM7912	<a href="http://www.njr.com">http://www.njr.com</a>
IC1	160-00004-114-0	IC UPC7805H NEC (KIA)	<a href="http://www.onsemi.com/home/">http://www.onsemi.com/home/</a>
IC101.301.501	042-33025-050-0	C/C2 33PF K 50V 5 T	
IC103.101.301.501	160-00017-900-0	IC NJM4558LD JRC	<a href="http://www.njr.com">http://www.njr.com</a>
IC2	160-00014-600-0	IC AN6884 PANA SONIC	<a href="http://www.onsemi.com/home/">http://www.onsemi.com/home/</a>
IC105.305. 703.701.801. 704. 503. 102. 104. 302. 304. 702. 504. 502. 106. 306. 506. 2A	160-00017-900-0	IC NJM4558LD JRC	<a href="http://www.njr.com">http://www.njr.com</a>
IC705	160-00018-000-0	IC NJM4556AL JRC	<a href="http://www.njr.com">http://www.njr.com</a>
IC3	160-00018-100-0	IC BA6125	<a href="http://www.fairchildsemi.com">http://www.fairchildsemi.com</a>
IC706	160-00018-200-0	IC BA6822S	<a href="http://www.njr.com">http://www.njr.com</a>

DIMENSIONS



DIMENSIONS ARE SHOWN IN MM/INCH.

EXPLODED VIEW



49	F36-1000400-0	PCB	1
48	543-60304-0204	PRKNOB	1
47	211-040004-0104	BNCFI	1
46	5904-0306-2004	M2.6*6 BLK	2
45	543-201304-1204	BUSH	3
44	5304-6005-0014	LENS	1
43	6004-0902-2104	HEX. NUT	1
42	6104-0004-0004	WAS	1
41	*****	*****	*
40	615-0002-1304	BOSS	1
39	615-0001-1304	BOSS	1
38	5914-3006-2004	D3.0*6 BLK	6
37	5914-3010-2004	D3.0*10 BLK	5
36	211-*****-2*14	****	1
35	5904-5012-2004	M4.0*12 BLK	2
34	281-040004-0004	FUSH HOLDER	1
33	511-600104-0004	BACK PANEL MX300	1
32	211-122040004	ACSW	1
31	0704-2018-0014	XMER	1
30	6104-6040-0014	PAN SER. WAS	2
29	5904-1004-2004	M3.0*4 BLK	20
28	6004-0903-2104	HEX. NUT M4*3	2
27	5904-5004-1004	M3.0*4 NI	2
26	551-6008-0004	BRKT	2
25	2104-02101-0104	POWER SW.	1
24	6004-0902-2104	HEX. NUT 3/8.0*2	16
23	615-10022-6304	BOSS	2
22	F36-1000400-0	PCB	1
21	615-2005-6204	BOSS	4
20	593-20018-0014	D3.0*18 NI	4
19	525-6011-0004	FEET	4
18	517-60170-1004	BOF COVER MX300	1
17	591-03006-2004	D3.0*6 BLK	6
16	6104-03004-5164	FIBER WAS	3
15	615-0004-6204	BOSS L=12	10
14	5904-3006-1004	M3.0*6 NI	20
13	543-20140-1204	BUSH	6
12	543-20170-1204	BUSH	1
11	543-20160-1204	SKNOB	1
10	*****	*****	*
9	543-201304-1204	BUSH	1
8	512-60155-1004	COVER/FIBER PANEL	1
7	5904-0012-1004	M3.0*2 NI	2
6	543-20084-1204	SKNOB BLK	4
5	5904-0306-1004	M3.0*6 NI	6
4	5404-0004-0204	SKNOB BLK	16
3	543-60104-1204	PRKNOB BLK	6
2	543-60084-0204	BUSH MX300 ABS	1
1	510-60310-5114	PANEL MX300 PHONIC	1
Nu	PART NO	Title	QTY

**PHONIC**  
WWW.PHONIC.COM