

PM801 Integrated Mobile Sound System

SERVICE MANUAL

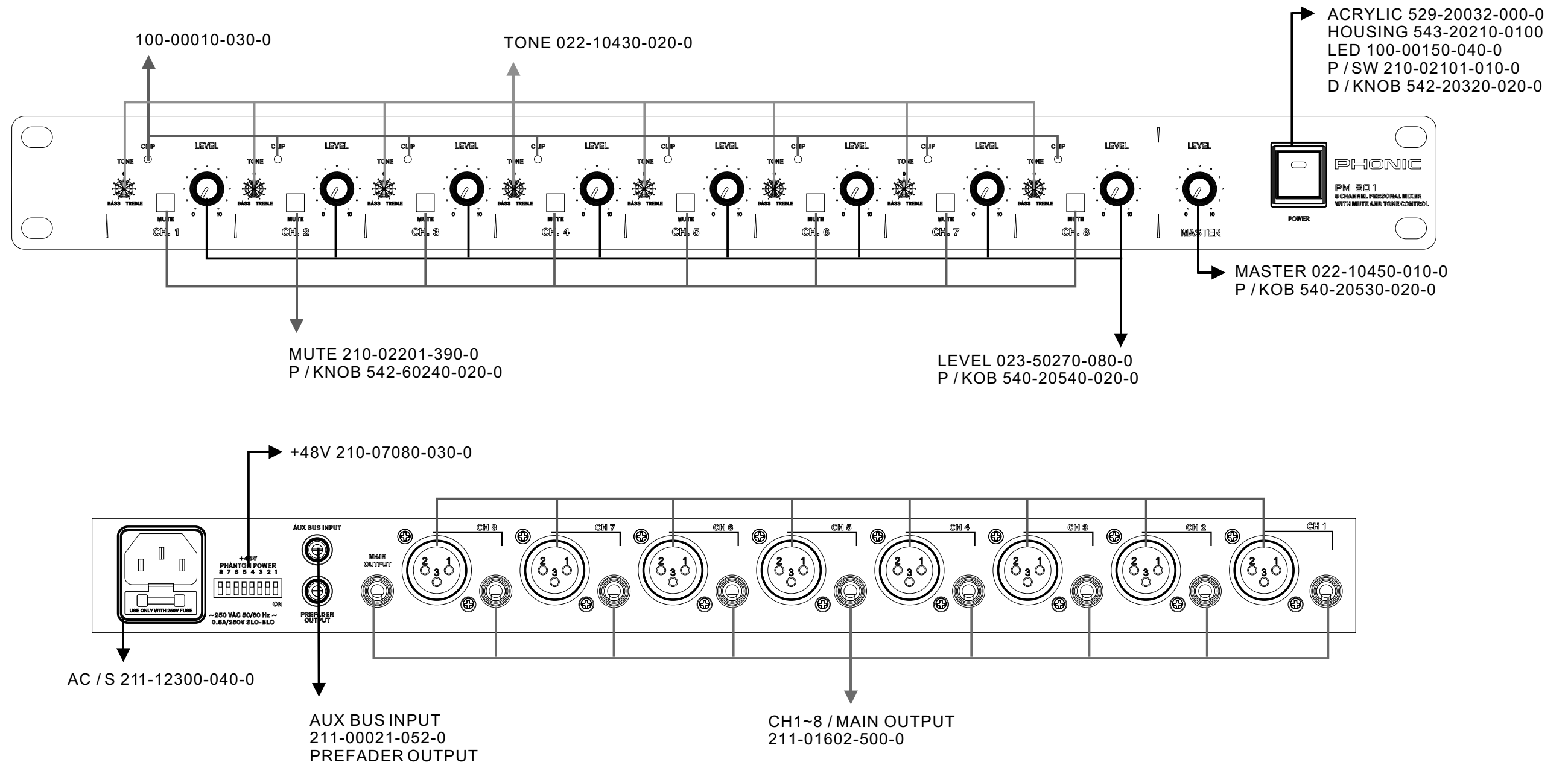


PM801 SERVICE MANUAL

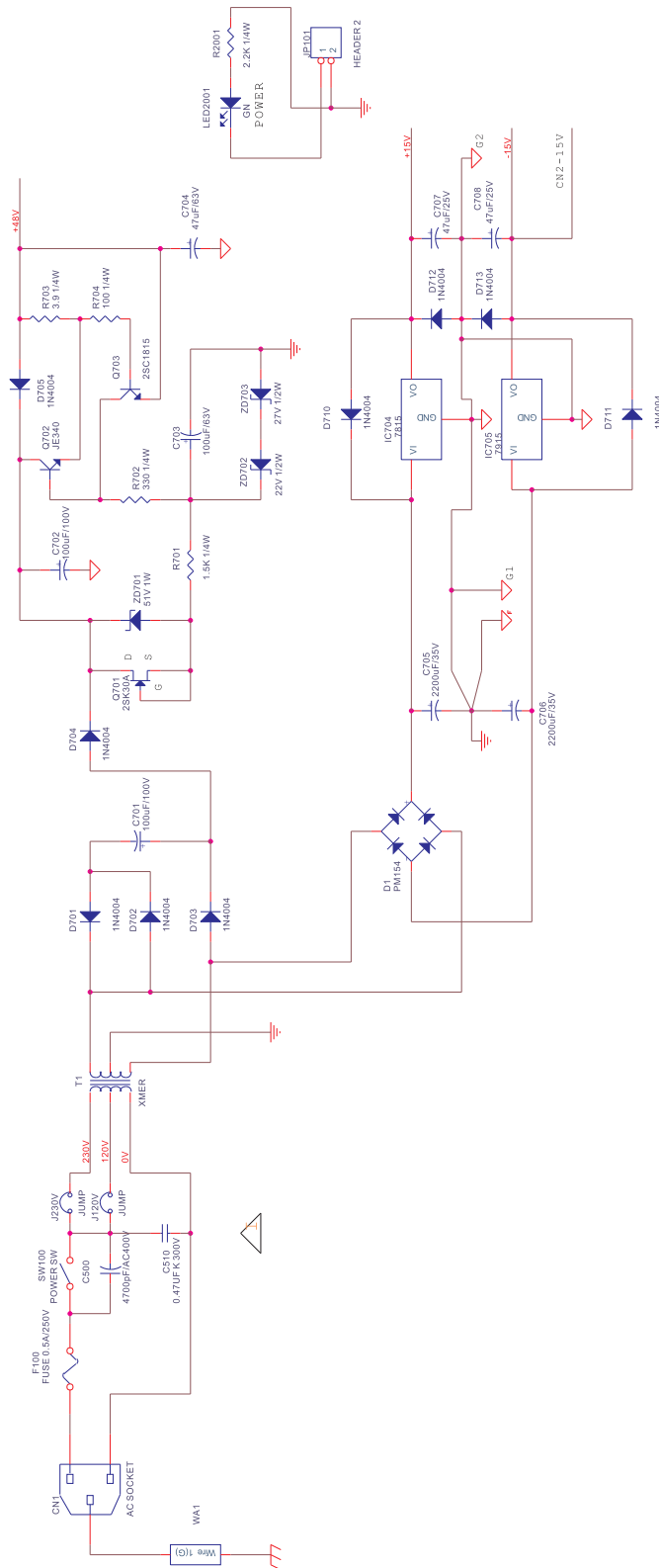
CONTENTS

PAGE

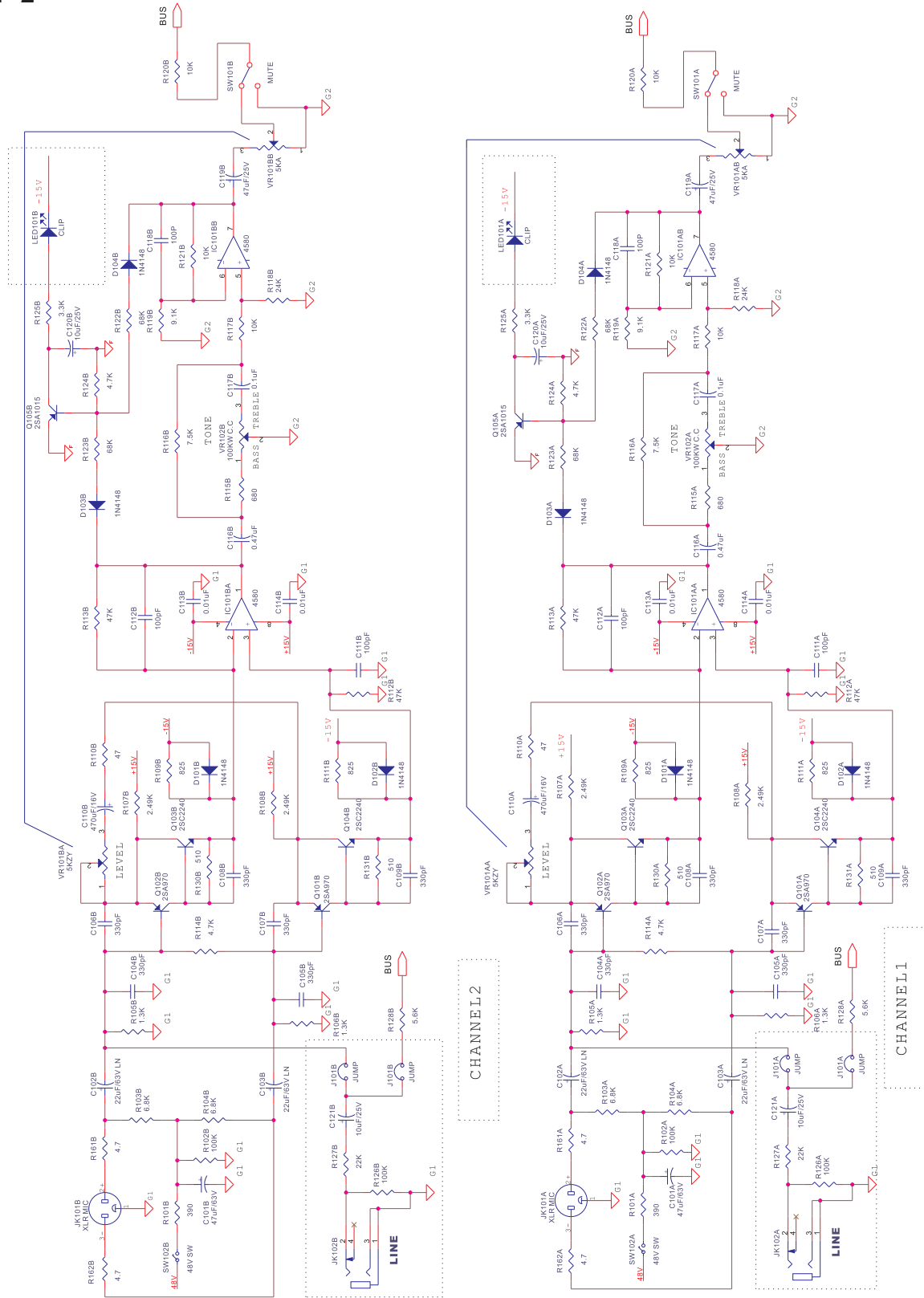
| | |
|---|-----------|
| PANEL LAYOUT | 3 |
| POWER..... | 4 |
| CH1~2 | 5 |
| ch3~4 | 6 |
| CH5~6 | 7 |
| CH7~8 | 8 |
| BOM | |
| MAIN PCB-PART LIST | 9 |
| MISCELLANEOUS ITEMS | 12 |
| POWER REQUIREMENT CLASSIFICATION | 14 |



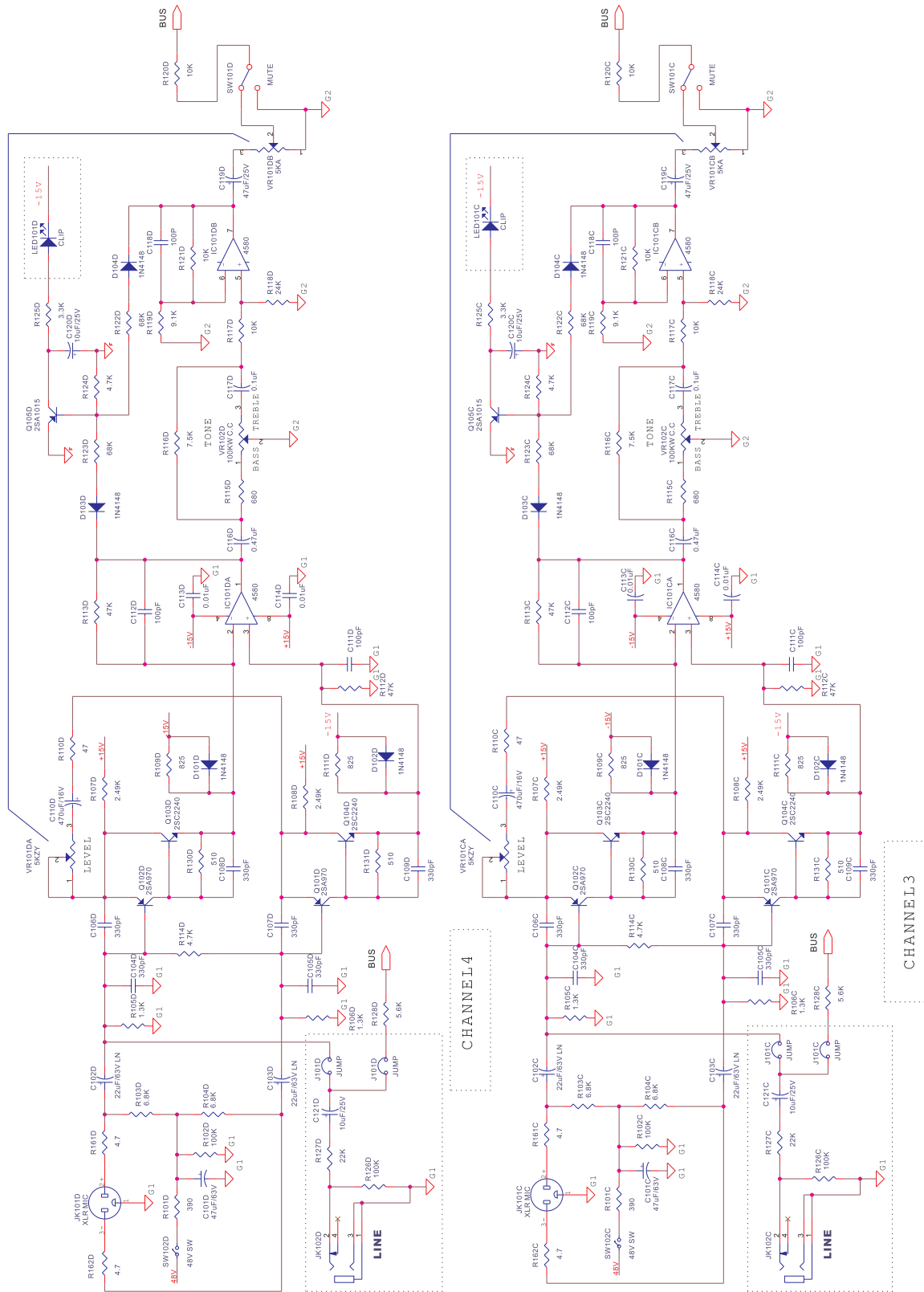
POWER



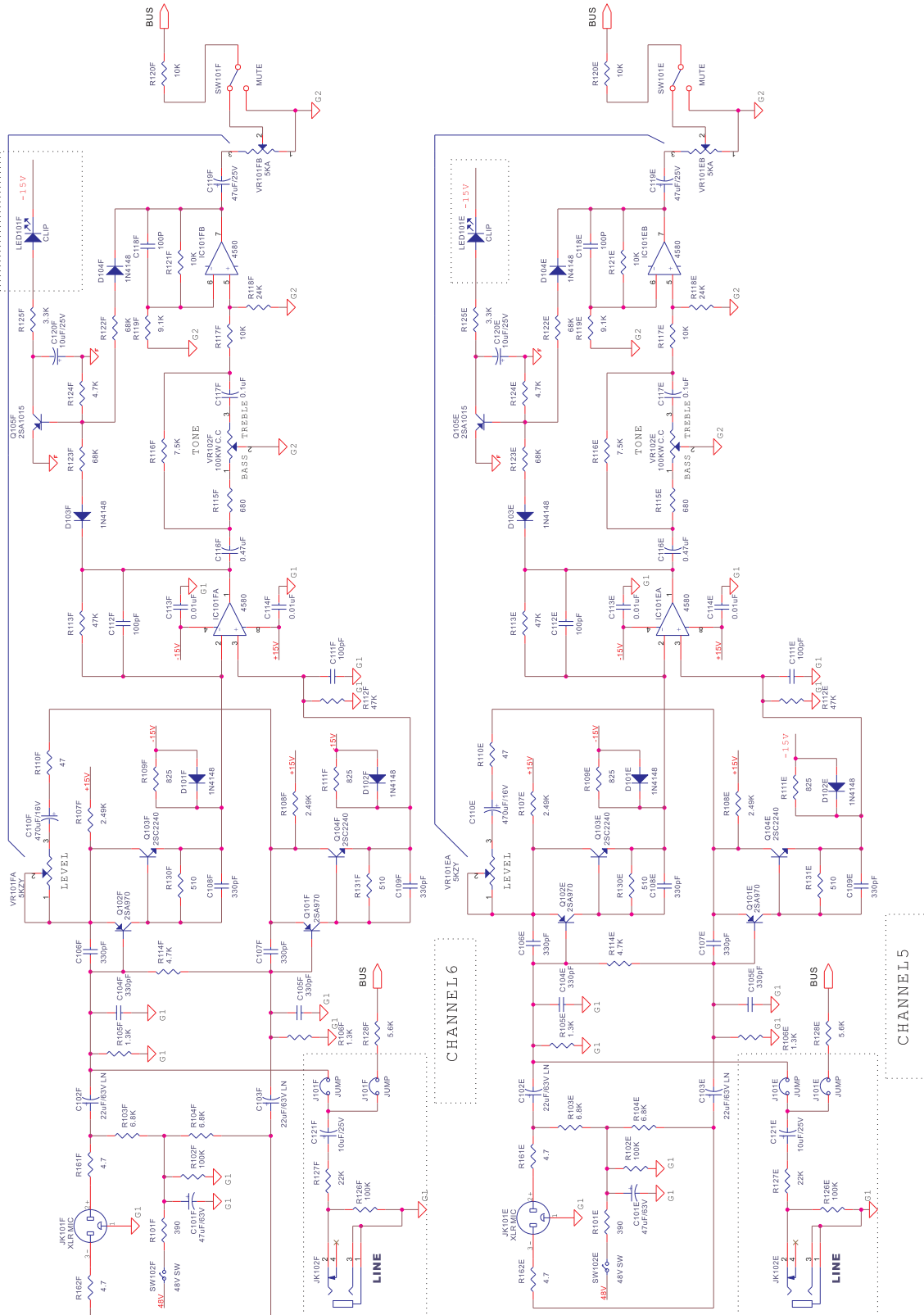
CH1~2



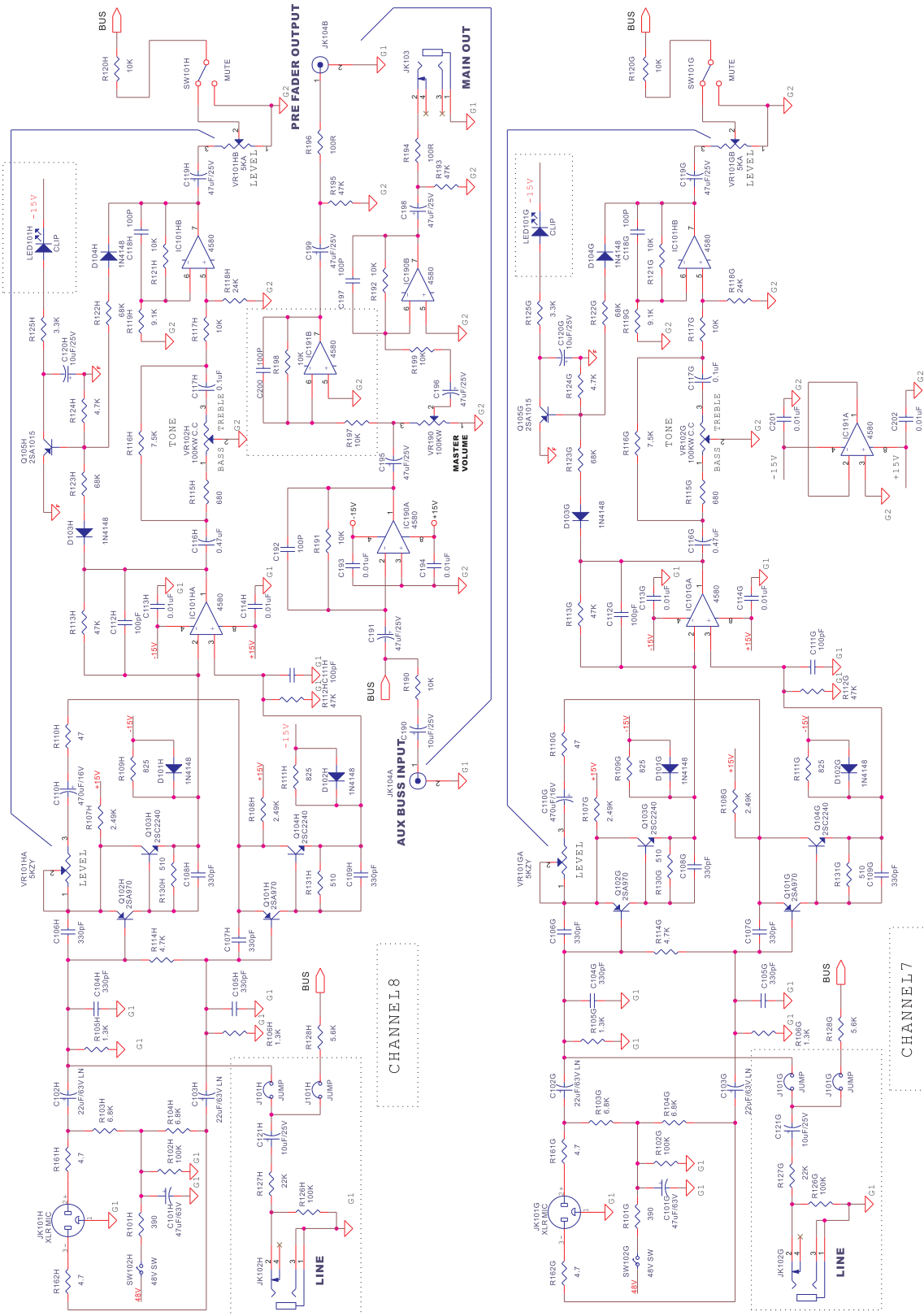
ch3~4



CH5~6



CH7~8



MAIN PCB-PART LIST

| Ref. | Phonic Part No. | Specifications |
|---|-----------------|----------------------------|
| VR102A-H | 022-10430-020-0 | S.ROT/VR 100K4B 20MM P |
| VR190 | 022-10450-010-0 | S.ROT/VR 100KW 30MM P |
| VR101A-H | 023-50270-080-0 | D.ROT/VR 5K2BX2 22.5MM |
| C703 | 030-10768-000-0 | E/C 100MF Z 63V 10*17 P |
| C701.702 | 030-10788-000-0 | E/C 100MF Z 100V 13*20 P |
| C705.706 | 030-22848-002-0 | E/C 2200MF Z 35V 16*27 P |
| C101A-H.704 | 030-47666-0A0-0 | E/C 47MF M 63V 6.3*11 T |
| C110A-H | 030-47726-000-0 | E/C 470MF M 16V 8*16 P |
| C102A-H.103A-H | 033-22665-000-0 | LN E/C 22MF K 63V 8*12 P |
| C500 | 058-47236-001-0 | LINE/C 0.0047MF M 400V |
| C510 | 058-47485-000-0 | LINE/C 0.47MF K 300V |
| LED101A-H | 100-00010-030-0 | LED BL-B5141 RED |
| LED2001 | 100-00150-040-0 | LED 2*4mm BL-RGE131 Green |
| IC705 | 160-00002-909-0 | IC ST7915 TO-220-D(ST) |
| IC704 | 160-00005-909-0 | IC ST7815 TO-220-D(ST) |
| IC101-AH.190.191 | 160-00017-500-0 | IC NJM4580D DIP(JRC) |
| SW100 | 210-02101-010-0 | PSH/SW SDDL10074U-PJ |
| SW101A-H | 210-02201-390-0 | PSH/SW SP70300-0202-11F1-N |
| SW102 | 210-07080-030-0 | DIP/SW DP/DPL-08 |
| JK104 | 211-00021-052-0 | 2P RCA/J SCJ-1020-2P |
| JK102A-H.103 | 211-01602-500-0 | 6D3/J SCJ-01602-D |
| JK101A-H | 211-03300-240-0 | XLR/J 99M-107SP1L |
| J120V.230V | 211-06044-010-0 | PIN/S 5507-04-G1-0600-0300 |
| CN1 | 211-10042-070-0 | 4P WAFER/S P=2.54MM |
| CN2 | 211-10052-020-0 | 5P WAFER/S P=2.54MM |
| JP1 | 212-10041-340-0 | 4P WAFER/P 50MM |
| JP2 | 212-10051-410-0 | 5P WAFER/P 50MM |
| R194.196 | 000-10116-100-0 | CF RES. 100 J 0.125W P |
| R704 | 000-10126-400-0 | CF RES. 100 J 0.25W T |
| R117A-H.120A-H.121A-H.190.191.192.197.198.199 | 000-10316-400-0 | CF RES. 10K J 1/8W T |
| R102A-H.126A-H | 000-10416-100-0 | CF RES. 100K J 0.125W P |
| R105A-H.106A-H | 000-13216-100-0 | CF RES. 1K3 J 0.125W P |
| R701 | 000-15226-400-0 | CF RES. 1K5 J 0.25W T |
| R2001 | 000-22226-400-0 | CF RES. 2K2 J 0.25W T |
| R278A-H | 000-22306-400-0 | CF RES. 22K J 1/8W T |
| R118A-H | 000-24316-400-0 | CF RES. 24K J 1/8W T |
| R702 | 000-33126-400-0 | CF RES. 330 J 1/4W T |

| Ref. | Phonic Part No. | Specifications |
|--|------------------------|---------------------------------|
| R125A-H | 000-33216-400-0 | CF RES. 3K3 J 0.125W T |
| R101A-H | 000-39116-000-0 | CF RES. 390 J 0.125W U |
| R703 | 000-39726-400-0 | CF RES. 3.9 J 0.25W T |
| R110A-H | 000-47016-100-0 | CF RES. 47 J 0.125W P |
| R114A-H.124A-H | 000-47216-400-0 | CF RES. 4K7 J 0.125W T |
| R112A~H.193.195 | 000-47316-400-0 | CF RES. 47K J 0.125W T |
| R161A-H.162A-H | 000-47716-400-0 | CF RES. 4.7 J 1/8W T |
| R130A-H.131A-H | 000-51116-400-0 | CF RES. 510 J 1/8W T |
| R128A~H | 000-56216-400-0 | CF RES. 5K6 J 1/8W T |
| R115A-H | 000-68116-000-0 | CF RES. 680 J 0.125W U |
| R103A-H.104A-H | 000-68216-400-0 | CF RES. 6K8 J 1/8W T |
| R122A-H.123A-H | 000-68316-400-0 | CF RES. 68K J 1/8W T |
| R116A-H | 000-75216-400-0 | CF RES. 7K5 J 1/8W T |
| R119A~H | 000-91206-400-0 | CF RES. 9K1 J 1/8W T |
| R107A-H.108A-H | 006-24911-440-0 | MF RES. 2K49 F 0.125W T |
| R113A-H | 006-75011-440-0 | MF RES. 7K5 F 0.125W T |
| R109A-H.111A-H | 006-82501-440-0 | MF RES. 825 F 0.125W T |
| C120A-H.121A-H.190 | 030-10636-0A0-0 | E/C 10MF M 25V 5*11 T |
| C117A-H | 040-10428-040-0 | ML/C 0.1MF Z 50V 5 T |
| C116A-H | 040-47425-060-0 | ML/C 0.47MF K 50V T |
| C119A-H.191.195.196.1 98.199.707.708 | 030-47638-0A0-0 | E/C 47MF Z 25V 5*11 T |
| C111A-H.112A-H.118A- H.192.197.200 | 042-10124-050-0 | C/C2 100PF J 50V T |
| C113A-H.114A- H.193.194.201.202 | 042-10328-050-0 | C/C2 0.01MF Z 50V 5 T |
| C104A-H.105A-H.106A- H.107A-H.108A-H.109A | 042-33125-050-0 | C/C2 330PF K 50V T |
| D701.702.703.704.705.7 10.711.712.713 | 090-00007-020-0 | DIODE IN4004 SILTEK T |
| ZD702 | 090-01223-000-0 | Z/DIODE 22V 0.5W 1N5251B |
| ZD703 | 090-01273-010-0 | Z/DIODE 27V K 0.5W UNIZON |
| ZD701 | 090-01513-110-0 | Z/DIODE 51V 1W (1N4757) |
| D101A-H.102A-H.103A- H.104A-H | 090-02000-020-0 | DIODE 1N4148 T |
| D1 | 090-10000-000-0 | B/DIODE PB154 |
| Q703 | 120-00000-800-0 | TRN 2SC1815 GR TO-92-D REEL(TO) |
| Q103A-H.104A-H | 120-00001-010-0 | TRN 2SC2240 TO-92-D REEL(TO) |

| Ref. | Phonic Part No. | Specifications |
|----------------|------------------------|---------------------------------|
| Q702 | 120-00005-000-0 | TRN MJE340 SOT32-D(ON/MO) |
| Q105A-H | 121-00000-200-0 | TRP 2SA1015GR TO-92-D REEL(TO) |
| Q101A-H.102A-H | 121-00000-500-0 | TRP 2SA970-BL TO-92-D REEL (TO) |
| Q701 | 122-00000-200-0 | TRF 2SK30A GR TO-92-D(TO) |

MISCELLANEOUS ITEMS

| Ref. | Phonic Part No. | Specifications |
|------------------|------------------------|------------------------------------|
| | 313-00000-060-0 | RUBBER WASHER TO-2203 |
| | 314-00000-050-0 | BUSHES 602S(V.O) |
| | 526-10050-110-0 | HEAT SINK 50*30*15 POD1860 |
| | 590-33006-100-0 | M/E RUD SCR. M3.0*6 NI |
| | 610-60300-501-0 | PAN SPR. WAS. D3.0*D5.3*0.5 NI |
| POWER SW | 210-02101-010-0 | PSH/SW SDDL10074U-PJ |
| | 211-12300-040-0 | AC/S 0717-1-PS |
| SHORT PIN*1 | 212-06020-200-0 | PIN/P PD50-02-AnI |
| GND*1 | 212-10010-000-8 | 1P WAFER/P 60MM GRN/YLW |
| | 379-29131-111-0 | M.WIRE UL1617 #18 130MM BWN |
| | 379-29131-121-0 | M.WIRE UL1617 #18 130MM RED |
| | 510-21410-000-0 | FRONT PANEL PM801 PHONIC |
| | 511-20910-000-0 | BACK PANEL PM801 PHONIC |
| | 516-20580-000-0 | TOP COV. PM801 PHONIC |
| | 517-20820-000-0 | BOT. COV. PM801 PHONIC |
| | 518-20490-000-0 | LF COV. PM801 PHONIC |
| | 518-20500-000-0 | RT COV. PM801 PHONIC |
| POWER SW KONB | 529-20032-000-0 | LED ACRYLIC LENS 11.5*6*t3 |
| | 540-20420-020-0 | R/KNOB 877C BODY+8423C LINE D:11.4 |
| | 540-20430-020-0 | R/KNOB 877C BODY+8423C LINE D9.5 |
| POWER SW | 542-20320-020-0 | P/KNOB ABS BLK |
| POWER SW BUSHING | 543-20210-020-0 | P/KNOB BUSH. BLK ABS |
| | 551-20079-420-0 | PUSH BRKT ABS I SERIES |
| | 551-60013-000-0 | LF BRKT PPC1100/1200/PCR2213 |
| | 551-60015-000-0 | RT BRKT. PCR2213 |
| | 560-21290-000-0 | CARTON PM801 |
| | 561-21480-000-0 | G/B PM801 |
| | 562-60095-000-0 | LF PULP PANEL PCR2213 |
| | 562-60096-000-0 | RT PULP PANEL PCR2213 |
| FOR OWN. MANU.*1 | 568-00003-000-0 | #10 240*340*0.05 |
| | 568-20004-000-0 | PE BAG 550*300*0.05 |
| | 568-30011-000-0 | PE BAG 300*110*0.05 |
| | 572-00000-050-0 | DRYER 5g |
| | 573-10124-010-0 | GND LABLE |
| | 573-60240-000-0 | S/N LABEL PHONIC |
| | 573-60343-000-0 | LABEL BLUE D=8mm |
| | 590-03004-200-0 | M/E FLT SCR. M3.0*4 BLK |
| GND*1 | 590-04010-100-0 | M/E FLT SCR. M4*10 NI |
| | 590-23004-200-0 | M/E BID SCR. M3*4 BLK |
| | 590-23006-200-0 | M/E BID SCR. M3.0*6 BLK |

| Ref. | Phonic Part No. | Specifications |
|-------------|------------------------|-----------------------------|
| | 591-03008-200-0 | T/P FLT SCR. M3.0*8 BLK |
| | 600-00403-510-0 | HEX. NUT M4.0*3.5 NI |
| | 610-30400-501-0 | TOOTH WAS. D4.0*D8.5*0.5 NI |
| | 615-20062-620-0 | BOSS H-18 |
| ALL LED | 615-20092-620-0 | LED HOUSING LED3-13 |

POWER REQUIREMENT CLASSIFICATION

| Ref. | Phonic Part No. | Specifications |
|-------------|------------------------|-------------------------------|
| UL | 070-60178-800-0 | X'MER 115/230V PM801 |
| | 280-5016B-000-0 | FUSE 500MA 250V UL/CSA/JIS S |
| | 370-08010-721-0 | P/CORD 120V 10A 6F 3PUL/CSA |
| | 574-00C60-110-0 | OWN. MANU. PM801 PHONIC |
| IEC | 070-60178-800-0 | X'MER 115/230V PM801 |
| | 280-25165-000-6 | FUSE 250mA 250V SEMKO |
| | 370-15010-921-0 | P/CORD IEC 10A 6F 3P SVT |
| | 574-00C60-110-0 | OWN. MANU. PM801 PHONIC |
| SA | 070-60178-800-0 | X'MER 115/230V PM801 |
| | 280-25165-000-6 | FUSE 250mA 250V SEMKO |
| | 370-15010-921-0 | P/CORD IEC 10A 6F 3P SVT |
| | 574-00C60-110-0 | OWN. MANU. PM801 PHONIC |
| SAA | 070-60178-800-0 | X'MER 115/230V PM801 |
| | 280-10263-001-0 | FUSE 1A 250V VDE/CE S (GTD-1) |
| | 370-11010-821-0 | P/CORD 240V 10A 6F 3P SAA SVT |
| | 574-00C60-110-0 | OWN. MANU. PM801 PHONIC |
| BS | 070-60178-800-0 | X'MER 115/230V PM801 |
| | 280-10263-001-0 | FUSE 1A 250V VDE/CE S (GTD-1) |
| | 370-01010-921-0 | P/CORD 240V 10A 6F 3P |
| | 574-00C60-110-0 | OWN. MANU. PM801 PHONIC |
| JIS | 070-20920-600-0 | X'MER 100V JIS PM801 |
| | 280-5016B-000-0 | FUSE 500MA 250V UL/CSA/JIS S |
| | 370-16A10-629-0 | P/CORD 100V 12A 2M 1MM/2P JIS |
| | 574-00C60-130-0 | OWN. MANU. PM801 PHONIC JIS |

PHONIC
www.phonic.com